

SILICON PLANAR ZENER DIODES

BZM55C 2V4 - 75V

**LS-31 (MICRO-MELF)
GLASS PACKAGE**



MAXIMUM RATINGS

DESCRIPTION	TEST CONDITIONS	SYMBOL	VALUE	UNIT
Power Dissipation	$R_{th(j-a)} \leq 300K/W$	P_D	500	mW
Junction Temperature		T_j	175	°C
Storage Temperature Range		T_{stg}	- 65 to +175	°C

THERMAL RESISTANCE

Junction to Ambient in free air	$R_{th(j-a)}$	500	K/W
Junction to tie point	$*R_{th(j-L)}$	300	K/W

*35mm copper clad, 0.9mm² copper area per electrode

ELECTRICAL CHARACTERISTICS ($T_j=25^\circ C$ unless specified otherwise)

Forward Voltage at $I_F=200mA$	V_F	1.5	V
--------------------------------	-------	-----	---

Device #	V_{ZT} **at I_{ZT}		r_{ZT} **at I_{ZT} max (W)	I_{ZT} (mA)	r_{ZK} at max (W)	I_{ZK} (mA)	I_R at V_R		Temp. Coeff of Zener Voltage (%/K)	
	min (V)	max (V)					T_a 25°C max (mA)	150°C max (mA)		
BZM55C2V4	2.28	2.56	85	5.0	600	1.0	100	50	1.0	- 0.09 ~ - 0.06
BZM55C2V7	2.50	2.90	85	5.0	600	1.0	10	50	1.0	- 0.09 ~ - 0.06
BZM55C3V0	2.80	3.20	90	5.0	600	1.0	4.0	40	1.0	- 0.08 ~ - 0.05
BZM55C3V3	3.10	3.50	90	5.0	600	1.0	2.0	40	1.0	- 0.08 ~ - 0.05
BZM55C3V6	3.40	3.80	90	5.0	600	1.0	2.0	40	1.0	- 0.08 ~ - 0.05
BZM55C3V9	3.70	4.10	90	5.0	600	1.0	2.0	40	1.0	- 0.08 ~ - 0.05
BZM55C4V3	4.00	4.60	90	5.0	600	1.0	1.0	20	1.0	- 0.06 ~ - 0.03
BZM55C4V7	4.40	5.00	80	5.0	600	1.0	0.5	10	1.0	- 0.05 ~ + 0.02
BZM55C5V1	4.80	5.40	60	5.0	550	1.0	0.1	2.0	1.0	- 0.02 ~ + 0.02
BZM55C5V6	5.20	6.00	40	5.0	450	1.0	0.1	2.0	1.0	- 0.05 ~ + 0.05
BZM55C6V2	5.80	6.60	10	5.0	200	1.0	0.1	2.0	2.0	0.03 ~ 0.06
BZM55C6V8	6.40	7.20	8	5.0	150	1.0	0.1	2.0	3.0	0.03 ~ 0.07
BZM55C7V5	7.00	7.90	7	5.0	50	1.0	0.1	2.0	5.0	0.03 ~ 0.07
BZM55C8V2	7.70	8.70	7	5.0	50	1.0	0.1	2.0	6.2	0.03 ~ 0.08
BZM55C9V1	8.50	9.60	10	5.0	50	1.0	0.1	2.0	6.8	0.03 ~ 0.09
BZM55C10	9.40	10.60	15	5.0	70	1.0	0.1	2.0	7.5	0.03 ~ 0.10
BZM55C11	10.40	11.60	20	5.0	70	1.0	0.1	2.0	8.2	0.03 ~ 0.11
BZM55C12	11.40	12.70	20	5.0	90	1.0	0.1	2.0	9.1	0.03 ~ 0.11
BZM55C13	12.40	14.10	26	5.0	110	1.0	0.1	2.0	10	0.03 ~ 0.11
BZM55C15	13.80	15.60	30	5.0	110	1.0	0.1	2.0	11	0.03 ~ 0.11

** $t_p/T \leq 100ms$

BZM55C2V4_75V Rev061005E

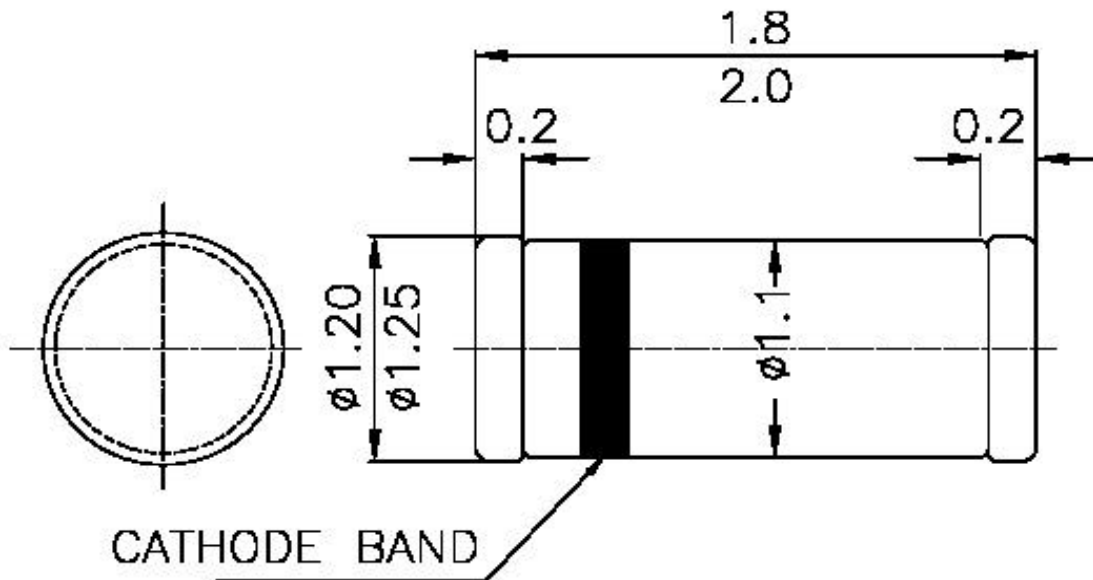
ELECTRICAL CHARACTERISTICS (T_j=25°C unless specified otherwise)

Forward Voltage at I _F =200mA				V _F	1.5		V			
Device #	V _{ZT} **at I _{ZT}		r _{ZT} **at I _{ZT}	I _{ZT}	r _{ZK} at	I _{ZK}	I _R T _a 25°C max	at 150°C max	V _R	Temp. Coeff of Zener Voltage (%/K)
	min (V)	max (V)	max (W)	(mA)	max (W)	(mA)	(mA)	(mA)	(V)	
BZM55C16	15.30	17.10	40	5.0	170	1.0	0.1	2.0	12	0.03 ~ 0.11
BZM55C18	16.80	19.10	50	5.0	170	1.0	0.1	2.0	13	0.03 ~ 0.11
BZM55C20	18.80	21.20	55	5.0	220	1.0	0.1	2.0	15	0.03 ~ 0.11
BZM55C22	20.80	23.30	55	5.0	220	1.0	0.1	2.0	16	0.04 ~ 0.12
BZM55C24	22.80	25.60	80	5.0	220	1.0	0.1	2.0	18	0.04 ~ 0.12
BZM55C27	25.10	28.90	80	5.0	220	1.0	0.1	2.0	20	0.04 ~ 0.12
BZM55C30	28.00	32.00	80	5.0	220	1.0	0.1	2.0	22	0.04 ~ 0.12
BZM55C33	31.00	35.00	80	5.0	220	1.0	0.1	2.0	24	0.04 ~ 0.12
BZM55C36	34.00	38.00	80	5.0	220	1.0	0.1	2.0	27	0.04 ~ 0.12
BZM55C39	37.00	41.00	90	2.5	500	0.5	0.1	5.0	30	0.04 ~ 0.12
BZM55C43	40.00	46.00	90	2.5	600	0.5	0.1	5.0	33	0.04 ~ 0.12
BZM55C47	44.00	50.00	110	2.5	700	0.5	0.1	5.0	36	0.04 ~ 0.12
BZM55C51	48.00	54.00	125	2.5	700	0.5	0.1	10	39	0.04 ~ 0.12
BZM55C56	52.00	60.00	135	2.5	1000	0.5	0.1	10	43	0.04 ~ 0.12
BZM55C62	58.00	66.00	150	2.5	1000	0.5	0.1	10	47	0.04 ~ 0.12
BZM55C68	64.00	72.00	200	2.5	1000	0.5	0.1	10	51	0.04 ~ 0.12
BZM55C75	70.00	79.00	250	2.5	1500	0.5	0.1	10	56	0.04 ~ 0.12

* t_p/T ≤ 100ms

BZM55C2V4_75V Rev061005E

PACKAGE MICRO-MELF



ALL DIMENSIONS ARE IN mm
PACKING:— 2.5K / REEL(7" 178.0mm)

Disclaimer

The product information and the selection guides facilitate selection of the CDIL's Discrete Semiconductor Device(s) best suited for application in your product(s) as per your requirement. It is recommended that you completely review our Data Sheet(s) so as to confirm that the Device(s) meet functionality parameters for your application. The information furnished in the Data Sheet and on the CDIL Web Site/CD are believed to be accurate and reliable. CDIL however, does not assume responsibility for inaccuracies or incomplete information. Furthermore, CDIL does not assume liability whatsoever, arising out of the application or use of any CDIL product; neither does it convey any license under its patent rights nor rights of others. These products are not designed for use in life saving/support appliances or systems. CDIL customers selling these products (either as individual Discrete Semiconductor Devices or incorporated in their end products), in any life saving/support appliances or systems or applications do so at their own risk and CDIL will not be responsible for any damages resulting from such sale(s).

CDIL strives for continuous improvement and reserves the right to change the specifications of its products without prior notice.



CDIL is a registered Trademark of
Continental Device India Limited

C-120 Naraina Industrial Area, New Delhi 110 028, India.
Telephone + 91-11-2579 6150, 5141 1112 Fax + 91-11-2579 5290, 5141 1119
email@cdil.com www.cdilsemi.com