

Part Number: WP934EW/YD

Yellow

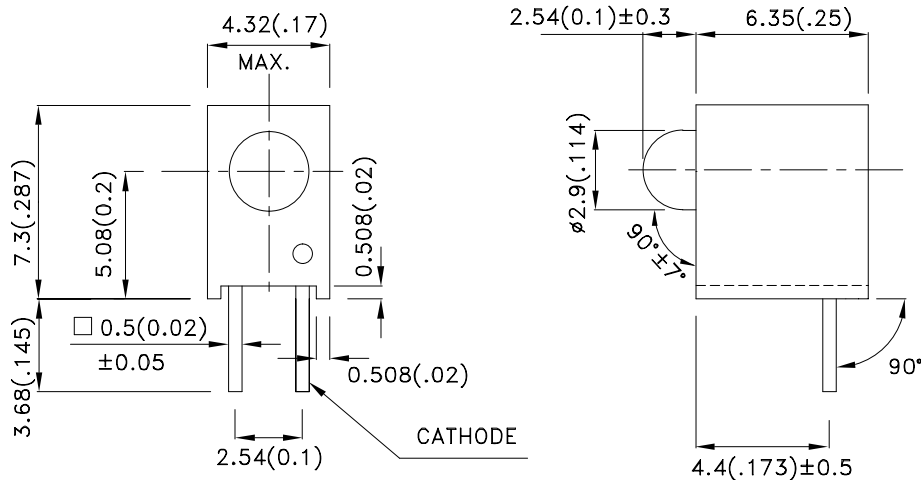
### Features

- I.C. COMPATIBLE.
- BLACK CASE ENHANCES CONTRAST RATIO.
- WIDE VIEWING ANGLE.
- HIGH RELIABILITY LIFE MEASURED IN YEARS.
- UL RATING : 94V-0.
- HOUSING MATERIAL: TYPE 66 NYLON.
- RoHS COMPLIANT.

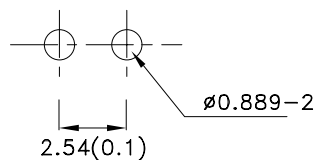
### Description

The Yellow source color devices are made with Gallium Arsenide Phosphide on Gallium Phosphide Yellow Light Emitting Diode.

### Package Dimensions



### RECOMMENDED PCB LAYOUT



#### Notes:

1. All dimensions are in millimeters (inches).
2. Tolerance is  $\pm 0.25(0.01)$  unless otherwise noted.
3. Lead spacing is measured where the leads emerge from the package.
4. Specifications are subject to change without notice.



## Selection Guide

| Part No.   | Dice               | Lens Type       | Iv (mcd) [2]<br>@ 10mA |      | Viewing<br>Angle [1] |
|------------|--------------------|-----------------|------------------------|------|----------------------|
|            |                    |                 | Min.                   | Typ. | 2θ1/2                |
| WP934EW/YD | Yellow (GaAsP/GaP) | YELLOW DIFFUSED | 5                      | 15   | 40°                  |

Notes:

1. θ1/2 is the angle from optical centerline where the luminous intensity is 1/2 the optical centerline value.
2. Luminous intensity/ luminous Flux: +/-15%.

## Electrical / Optical Characteristics at TA=25°C

| Symbol | Parameter                | Device | Typ. | Max. | Units | Test Conditions |
|--------|--------------------------|--------|------|------|-------|-----------------|
| λpeak  | Peak Wavelength          | Yellow | 590  |      | nm    | IF=20mA         |
| λD [1] | Dominant Wavelength      | Yellow | 588  |      | nm    | IF=20mA         |
| Δλ1/2  | Spectral Line Half-width | Yellow | 35   |      | nm    | IF=20mA         |
| C      | Capacitance              | Yellow | 20   |      | pF    | VF=0V;f=1MHz    |
| VF [2] | Forward Voltage          | Yellow | 2.1  | 2.5  | V     | IF=20mA         |
| IR     | Reverse Current          | Yellow |      | 10   | uA    | VR = 5V         |

Notes:

1. Wavelength: +/-1nm.
2. Forward Voltage: +/-0.1V.

## Absolute Maximum Ratings at TA=25°C

| Parameter                     | Yellow              | Units |
|-------------------------------|---------------------|-------|
| Power dissipation             | 75                  | mW    |
| DC Forward Current            | 30                  | mA    |
| Peak Forward Current [1]      | 140                 | mA    |
| Reverse Voltage               | 5                   | V     |
| Operating/Storage Temperature | -40°C To +85°C      |       |
| Lead Solder Temperature [2]   | 260°C For 3 Seconds |       |
| Lead Solder Temperature [3]   | 260°C For 5 Seconds |       |

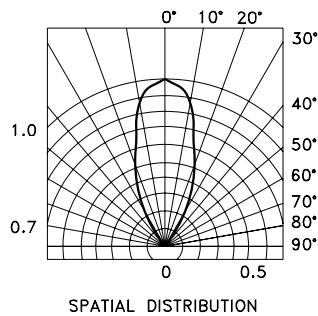
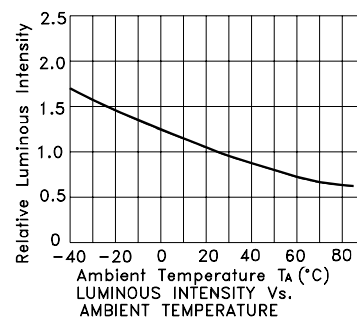
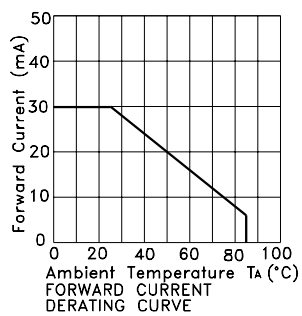
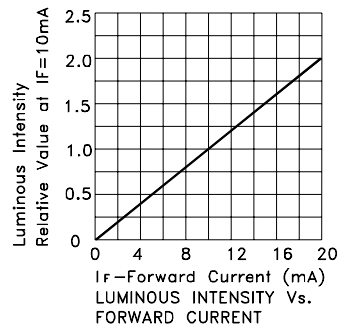
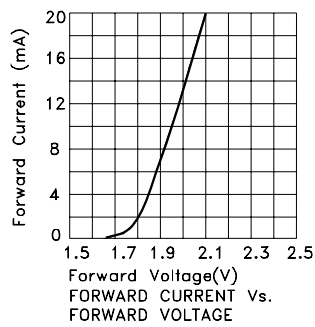
Notes:

1. 1/10 Duty Cycle, 0.1ms Pulse Width.
2. 2mm below package base.
3. 5mm below package base.



Yellow

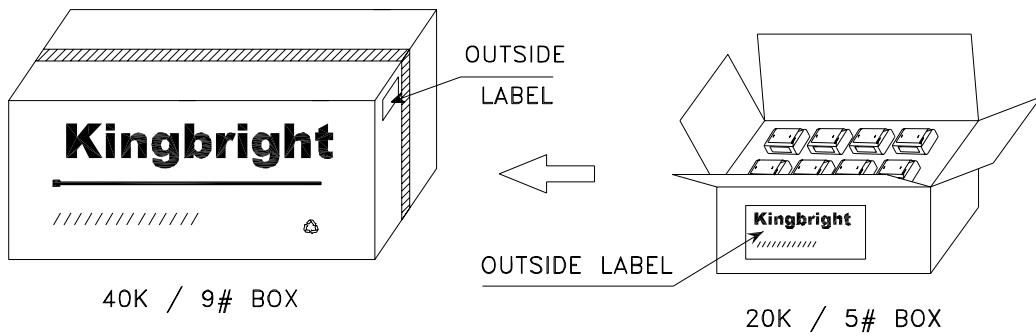
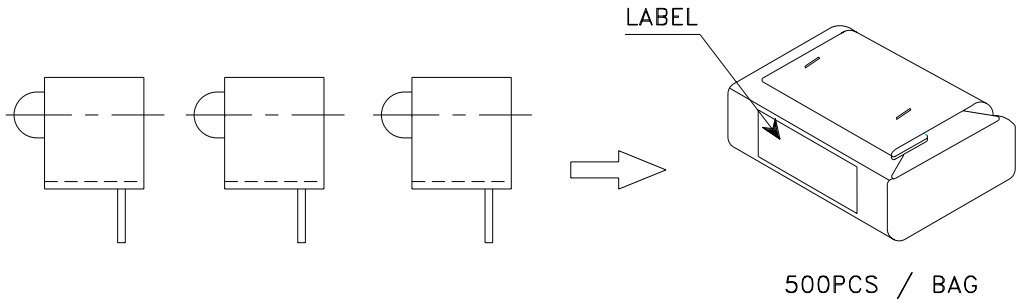
WP934EW/YD




# Kingbright

## PACKING & LABEL SPECIFICATIONS

WP934EW/YD



|  |  |    |          |        |
|--|--|----|----------|--------|
| <b>Kingbright</b>  |  |    |          |        |
| Q.C.   | <table border="1"> <tr> <td style="text-align: center;">QC</td> </tr> <tr> <td style="text-align: center;">XX XX XX</td> </tr> <tr> <td style="text-align: center;">PASSED</td> </tr> </table> | QC | XX XX XX | PASSED |
| QC   |  |    |          |        |
| XX XX XX   |  |    |          |        |
| PASSED   |  |    |          |        |
| TYPE NO : WP934EWxxx   |  |    |          |        |
| QUANTITY : 500 pcs   |  |    |          |        |
| S/N : XX   | CODE: XX   |    |          |        |
| LOT NO : <br><small>XX-XXXX</small> |  |    |          |        |
| RoHS Compliant   |  |    |          |        |