

**FEATURES**

- 5V and 3.3V power supplies required
- Also, supports LVPECL-to-PECL translation
- 500ps propagation delays
- Fully differential design
- Differential line receiver capability
- Application note
- Available in 20-pin SOIC package

**DESCRIPTION**

The SY100EL92 is a triple LVPECL-to-PECL or PECL-to-LVPECL translator. The device receives standard PECL signals and translates them to differential LVPECL output signals (or vice versa). SY100EL92 can also be used as a differential line receiver for PECL-to-PECL or LVPECL-to-LVPECL signals. However, please note that for the latter we will need two different power supplies. Please refer to Function Table for more details.

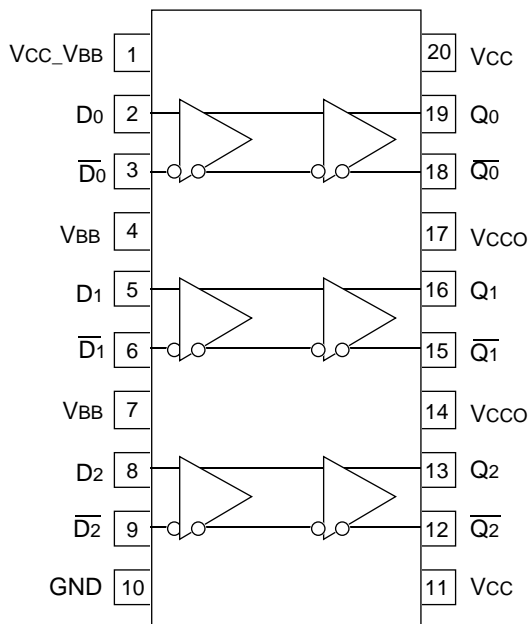
VBB outputs are provided for interfacing single ended input signals. If a single ended input is to be used, the VBB output should be connected to the  $\bar{D}$  input and the active signal will drive the D input. When used, the VBB should be bypassed to VCC via a 0.01 $\mu$ F capacitor. The VBB is designed to act as a switching reference for the SY100EL92 under single ended input conditions. As a result, the pin can only source/sink 0.5mA of current.

To accomplish the PECL-to-LVPECL level translation, the SY100EL92 requires three power rails. The VCC and VCC\_VBB supply is to be connected to the standard PECL supply, the 3.3V supply is to be connected to the VCCO supply, and GND is connected to the system ground plane. Both the VCC and VCCO should be bypassed to ground with a 0.01 $\mu$ F capacitor.

To accomplish the LVPECL-to-PECL level translation, the SY100EL92 requires three power rails as well. The 5.0V supply is connected to the VCC and VCCO pins, 3.3V supply is connected to the VCC\_VBB pin and GND is connected to the system ground plane. VCC\_VBB is used to provide a proper VBB output level if a single ended input is used. For differential LVPECL input VCC\_VBB can be either 3.3V or 5V.

Under open input conditions, the  $\bar{D}$  input will be biased at a VCC/2 voltage level and the D input will be pulled to GND. This condition will force the "Q" output low, ensuring stability.

**PIN CONFIGURATION/BLOCK DIAGRAM**



**SOIC  
TOP VIEW**

**FUNCTION TABLE**

Function	Vcc	Vcco	Vcc_VBB
PECL-to-LVPECL	5.0V	3.3V	5.0V
LVPECL-to-PECL	5.0V	5.0V	3.3V
PECL-to-PECL	5.0V	5.0V	5.0V
LVPECL-to-LVPECL	5.0V	3.3V	3.3V

**PIN NAMES**

Pin	Function
D <sub>n</sub>	PECL / LVPECL Inputs
Q <sub>n</sub>	PECL / LVPECL Outputs
VBB	PECL / LVPECL Reference Voltage Output
VCCO	Vcc for Output
VCC_VBB	Vcc for VBB Output
GND	Common Ground Rail
VCC	Vcc for Internal Circuitry

**PECL INPUT DC ELECTRICAL CHARACTERISTICS**

VCC\_VBB = VCC = +4.5V to +5.5V; VCCO = +3.0V to +3.8V

Symbol	Parameter	TA = -40°C			TA = 0°C			TA = +25°C			TA = +85°C			Unit
		Min.	Typ.	Max.	Min.	Typ.	Max.	Min.	Typ.	Max.	Min.	Typ.	Max.	
VCC	Power Supply Voltage	4.5	—	5.5	4.5	—	5.5	4.5	—	5.5	4.5	—	5.5	V
VIH	Input HIGH Voltage <sup>(1)</sup>	3.835	—	4.120	3.835	—	4.120	3.835	—	4.120	3.835	—	4.120	V
VIL	Input LOW Voltage <sup>(1)</sup>	3.190	—	3.515	3.190	—	3.525	3.190	—	3.525	3.190	—	3.525	V
VPP	Minimum Peak-to-Peak Input	150	—	—	150	—	—	150	—	—	150	—	—	mV
I <sub>IH</sub>	Input HIGH Current	—	—	150	—	—	150	—	—	150	—	—	150	μA
I <sub>IL</sub>	Input LOW Current	0.5 -600	— —	— —	0.5 -600	— —	— —	0.5 -600	— —	— —	0.5 -600	— —	— —	μA
V <sub>BB</sub>	Output Reference <sup>(1)</sup>	3.620	—	3.740	3.620	—	3.740	3.620	—	3.740	3.620	—	3.740	V
I <sub>CC</sub>	Power Supply Current	—	—	12	—	—	12	—	8.0	12	—	—	12	mA

**NOTE:**

1. These levels are for VCC\_VBB = 5.0V. Level specifications will vary 1:1 with VCC\_VBB.

**LVPECL OUTPUT DC ELECTRICAL CHARACTERISTICS**

VCC\_VBB = VCC = +4.5V to +5.5V; VCCO = +3.0V to +3.8V

Symbol	Parameter	TA = -40°C			TA = 0°C			TA = +25°C			TA = +85°C			Unit
		Min.	Typ.	Max.	Min.	Typ.	Max.	Min.	Typ.	Max.	Min.	Typ.	Max.	
V <sub>CCO</sub>	Power Supply Voltage	3.0	—	3.8	3.0	—	3.8	3.0	3.3	3.8	3.0	—	3.8	V
V <sub>OH</sub>	Output HIGH Voltage <sup>(1)</sup>	2.215	—	2.420	2.275	—	2.420	2.275	2.350	2.420	2.275	—	2.420	V
V <sub>OL</sub>	Output LOW Voltage <sup>(1)</sup>	1.470	—	1.745	1.490	—	1.680	1.490	1.600	1.680	1.490	—	1.680	V
I <sub>CCO</sub>	Power Supply Current	—	—	20	—	—	20	—	15	20	—	—	21	mA

**NOTE:**

1. These levels are for V<sub>CCO</sub> = 3.3V. Level specifications will vary 1:1 with V<sub>CCO</sub>.

**LVPECL INPUT DC ELECTRICAL CHARACTERISTICS**

VCC\_VBB = +3.0V to +3.8V<sup>(1)</sup>; VCC = VCCO = +4.5V to +5.5V

Symbol	Parameter	TA = -40°C			TA = 0°C			TA = +25°C			TA = +85°C			Unit
		Min.	Typ.	Max.	Min.	Typ.	Max.	Min.	Typ.	Max.	Min.	Typ.	Max.	
VCC	Power Supply Voltage	4.5	—	5.5	4.5	—	5.5	4.5	—	5.5	4.5	—	5.5	V
VIH	Input HIGH Voltage <sup>(2)</sup>	2.135	—	2.420	2.135	—	2.420	2.135	—	2.420	2.135	—	2.420	V
VIL	Input LOW Voltage <sup>(2)</sup>	1.490	—	1.825	1.490	—	1.825	1.490	—	1.825	1.490	—	1.825	V
VPP	Minimum Peak-to-Peak Input	150	—	—	150	—	—	150	—	—	150	—	—	mV
I <sub>IH</sub>	Input HIGH Current	—	—	150	—	—	150	—	—	150	—	—	150	μA
I <sub>IL</sub>	Input LOW Current	0.5 -600	— —	— —	0.5 -600	— —	— —	0.5 -600	— —	— —	0.5 -600	— —	— —	μA
V <sub>BB</sub>	Output Reference <sup>(2)</sup>	1.92	—	2.04	1.92	—	2.04	1.92	—	2.04	1.92	—	2.04	V
I <sub>CC</sub>	Power Supply Current	—	—	12	—	—	12	—	8.0	12	—	—	12	mA

**NOTES:**

- VCC\_VBB = 3.3V is only required for single-ended LVPECL input. For differential LVPECL input, VCC\_VBB can be either 3.3V or 5V.
- These levels are for VCC\_VBB = 3.3V. Level specifications will vary 1:1 with VCC\_VBB.

## PECL OUTPUT DC ELECTRICAL CHARACTERISTICS

V<sub>CC\_VBB</sub> = +3.0V to +3.8V; V<sub>CC</sub> = V<sub>CCO</sub> = +4.5V to +5.5V

Symbol	Parameter	T <sub>A</sub> = -40°C			T <sub>A</sub> = 0°C			T <sub>A</sub> = +25°C			T <sub>A</sub> = +85°C			Unit
		Min.	Typ.	Max.	Min.	Typ.	Max.	Min.	Typ.	Max.	Min.	Typ.	Max.	
V <sub>CCO</sub>	Power Supply Voltage	4.5	—	5.5	4.5	—	5.5	4.5	—	5.5	4.5	—	5.5	V
V <sub>OH</sub>	Output HIGH Voltage <sup>(1)</sup>	3.915	—	4.120	3.975	—	4.120	3.975	—	4.120	3.975	—	4.120	V
V <sub>OL</sub>	Output LOW Voltage <sup>(1)</sup>	3.170	—	3.445	3.190	—	3.380	3.190	—	3.380	3.190	—	3.380	V
I <sub>CCO</sub>	Power Supply Current	—	—	20	—	—	20	—	15	20	—	—	21	mA

### NOTE:

1. These levels are for V<sub>CCO</sub> = 5.0V. Level specifications will vary 1:1 with V<sub>CCO</sub>.

## AC ELECTRICAL CHARACTERISTICS<sup>(1)</sup>

Symbol	Parameter	T <sub>A</sub> = -40°C			T <sub>A</sub> = 0°C			T <sub>A</sub> = +25°C			T <sub>A</sub> = +85°C			Unit
		Min.	Typ.	Max.	Min.	Typ.	Max.	Min.	Typ.	Max.	Min.	Typ.	Max.	
t <sub>PLH</sub> t <sub>PHL</sub>	Propagation Delay D to Q Diff. S.E.	430 410	520 540	630 710	430 410	520 540	630 710	430 410	520 540	630 710	430 410	520 540	630 710	ps
t <sub>skew</sub>	Within-Device Skew Output-to-Output <sup>(2)</sup> Part-to-Part (Diff.) <sup>(2)</sup> Duty Cycle (Diff.) <sup>(3)</sup>	— — —	20 20 25	100 200 —	— — —	20 20 25	100 200 —	— — —	20 20 25	100 200 —	— — —	20 20 25	100 200 —	ps
V <sub>PP</sub>	Minimum Input Swing <sup>(4)</sup>	150	—	—	150	—	—	150	—	—	150	—	—	mV
V <sub>CMR</sub>	Common Mode Range <sup>(5)</sup> V <sub>PP</sub> < 500mV V <sub>PP</sub> ≥ 500mV	1.3 1.5	— —	V <sub>CC</sub> -0.2 V <sub>CC</sub> -0.2	1.2 1.4	— —	V <sub>CC</sub> -0.2 V <sub>CC</sub> -0.2	1.2 1.4	— —	V <sub>CC</sub> -0.2 V <sub>CC</sub> -0.2	1.2 1.4	— —	V <sub>CC</sub> -0.2 V <sub>CC</sub> -0.2	V
t <sub>r</sub> t <sub>f</sub>	Output Rise/Fall Times Q (20% to 80%)	320	—	580	320	—	580	320	—	580	320	—	580	ps

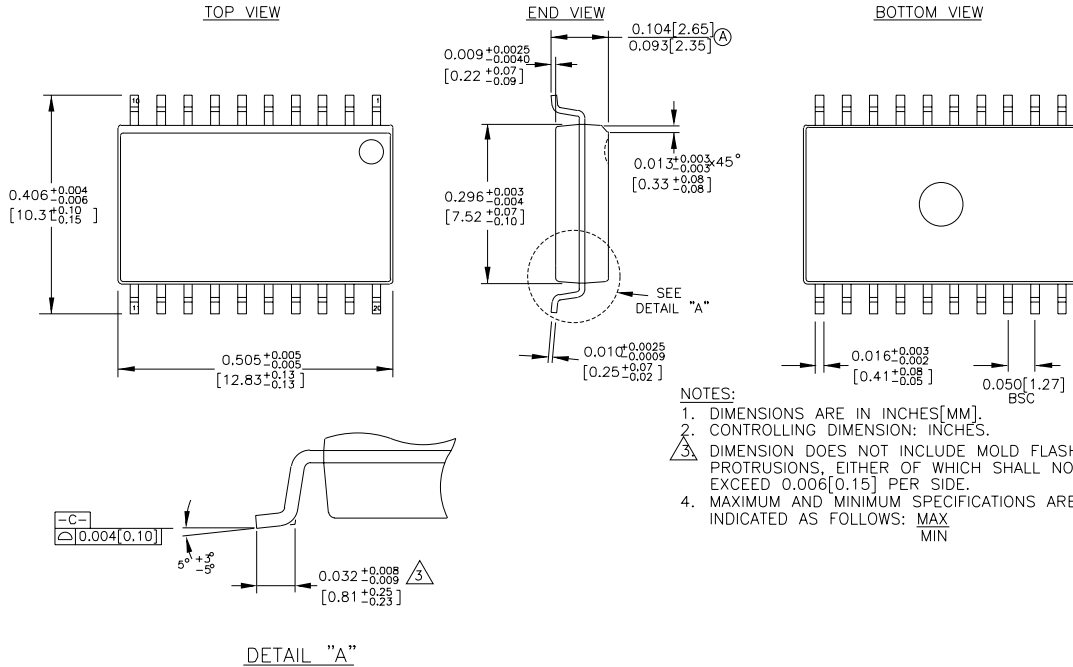
### NOTES:

1. Power supply requirements applies as indicated in the DC electrical characteristics tables.
2. Skew is measured between outputs under identical transitions.
3. Duty cycle skew is the difference between a TPLH and TPHL propagation delay through a device Common Mode Range.
4. Minimum input swing for which AC parameters are guaranteed. The device has a DC gain of ~40.
5. The CMR range is referenced to the most positive side of the differential input signal. Normal operation is obtained if the HIGH level falls within the specified range and the peak-to-peak voltage lies between V<sub>PP</sub> min. and 1V.

## PRODUCT ORDERING CODE

Ordering Code	Package Type	Operating Range
SY100EL92ZC	Z20-1	Commercial
SY100EL92ZCTR	Z20-1	Commercial

**20 LEAD SOIC .300" WIDE (Z20-1)**



Rev. 03

**MICREL-SYNERGY 3250 SCOTT BOULEVARD SANTA CLARA CA 95054 USA**

TEL + 1 (408) 980-9191 FAX + 1 (408) 914-7878 WEB <http://www.micrel.com>

This information is believed to be accurate and reliable, however no responsibility is assumed by Micrel for its use nor for any infringement of patents or other rights of third parties resulting from its use. No license is granted by implication or otherwise under any patent or patent right of Micrel Inc.

© 2000 Micrel Incorporated