

### POWER MANAGEMENT

#### Description

The SC4215A is a high performance positive voltage regulator designed for use in applications requiring very low input voltage and very low dropout voltage at up to 2 amp. It operates with a  $V_{in}$  as low as 1.4V, with output voltage programmable as low as 0.5V. The SC4215A features ultra low dropout, ideal for applications where  $V_{out}$  is very close to  $V_{in}$ . Additionally, the SC4215A has an enable pin to further reduce power dissipation while shutdown. The SC4215A provides excellent regulation over variations in line, load and temperature.

The SC4215A is available in the SOIC-8EDP (Exposed Die Pad) package. The output voltage can be set via an external divider or to 0.5V depending on how the FB pin is configured.

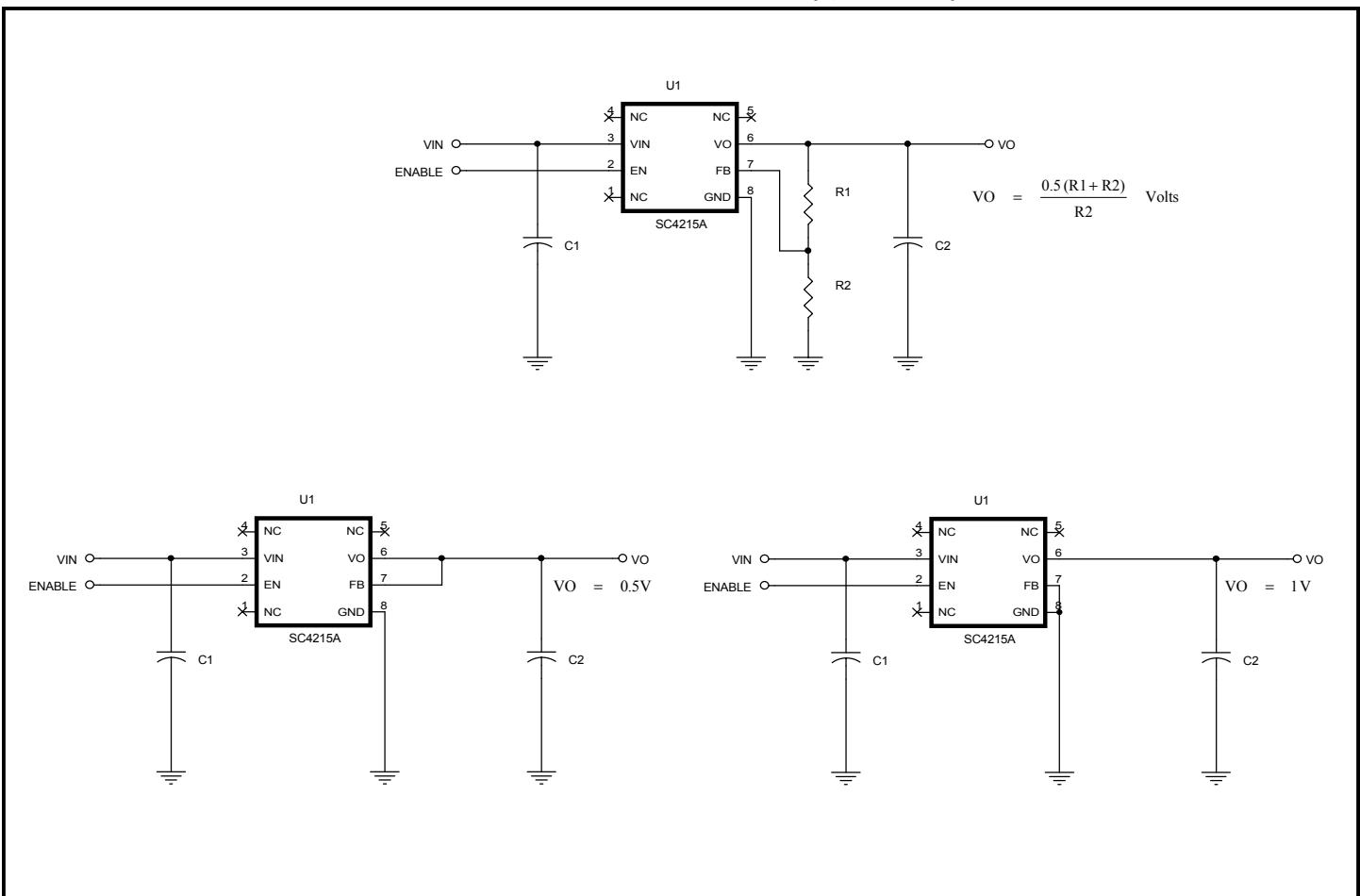
#### Features

- ◆ Input Voltage as low as 1.4V
- ◆ 500mV dropout @ 2A
- ◆ Adjustable output from 0.5V to 3.3V
- ◆ Over current and over temperature protection
- ◆ Enable pin
- ◆ 10 $\mu$ A quiescent current in shutdown
- ◆ Low reverse leakage (output to input)
- ◆ Full industrial temperature range
- ◆ Available in SOIC-8EDP package

#### Applications

- ◆ Telecom/Networking cards
- ◆ Motherboards/Peripheral cards
- ◆ Industrial applications
- ◆ Wireless infrastructure
- ◆ Set top boxes
- ◆ Medical equipment
- ◆ Notebook computers
- ◆ Battery powered systems

#### Typical Application Circuits



**POWER MANAGEMENT**
**Absolute Maximum Ratings**

Exceeding the specifications below may result in permanent damage to the device, or device malfunction. Operation outside of the parameters specified in the Electrical Characteristics section is not implied.

Parameter	Symbol	Max	Units
V <sub>IN</sub> , EN, V <sub>O</sub> , FB Absolute Voltage		6	V
Power Dissipation	P <sub>D</sub>	Internally Limited	W
Thermal Resistance Junction to Ambient SOIC-8EDP <sup>(1)</sup>	θ <sub>JA</sub>	36	°C/W
Thermal Resistance Junction to Case SOIC-8EDP <sup>(1)</sup>	θ <sub>JC</sub>	5.5	°C/W
Operating Ambient Temperature Range	T <sub>A</sub>	-40 to +85	°C
Operating Junction Temperature Range	T <sub>J</sub>	-40 to +150	°C
Storage Temperature Range	T <sub>STG</sub>	-65 to +150	°C
Lead Temperature (Soldering) 10 Sec.	T <sub>LEAD</sub>	300	°C
ESD Rating (Human Body Model)	V <sub>ESD</sub>	2	kV

Note: (1) 2 square inch of FR-4, double sided, 1 oz. minimum copper weight.

**Electrical Characteristics**

Unless specified: V<sub>EN</sub> = V<sub>IN</sub>, V<sub>FB</sub> = V<sub>O</sub>, V<sub>IN</sub> = 1.40V to 5.5V, V<sub>IN</sub> = (V<sub>O</sub> + 0.5V) to 5.5V and I<sub>O</sub> = 1mA to 1A.  
Values in **bold** apply over the full operating temperature range.

Parameter	Symbol	Test Conditions	Min	Typ	Max	Units
<b>VIN</b>						
Supply Voltage Range	V <sub>IN</sub>		<b>1.40</b>		<b>5.5</b>	V
Quiescent Current	I <sub>Q</sub>	V <sub>IN</sub> = 3.3V, I <sub>OUT</sub> = 0A			<b>3</b>	mA
		V <sub>IN</sub> = 5.5V, V <sub>EN</sub> = 0V		10	<b>50</b>	µA
<b>VO</b>						
Output Voltage <sup>(1)</sup> (Internal Fixed Voltage)	V <sub>O</sub>	V <sub>IN</sub> = V <sub>O</sub> + 0.5V, I <sub>OUT</sub> = 10mA	-1.5%	V <sub>O</sub>	+1.5%	V
			<b>-3%</b>		<b>+3%</b>	
Line Regulation <sup>(1)</sup>	REG <sub>(LINE)</sub>	V <sub>IN</sub> = (V <sub>O</sub> + 0.5V), V <sub>IN</sub> < 3.3V, I <sub>OUT</sub> = 10mA		0.7	<b>1</b>	%
		V <sub>IN</sub> = (V <sub>O</sub> + 0.5V), V <sub>IN</sub> > 3.3V, I <sub>OUT</sub> = 10mA		0.5	<b>1.5</b>	%
Load Regulation <sup>(1)</sup>	REG <sub>(LOAD)</sub>	V <sub>IN</sub> = (V <sub>O</sub> + 0.5V), I <sub>OUT</sub> = 10mA to 1A		0.5	<b>1.5</b>	%

**Notes:**

- (1) Low duty cycle pulse testing with Kelvin connections required.
- (2) Defined as the input to output differential at which the output voltage drops to 1.5% below the value measured at a differential of 0.5V.
- (3) Required to maintain regulation. Voltage set resistors R1 and R2 are usually utilized to meet this requirement.
- (4) Guaranteed by design.
- (5) When V<sub>FB</sub> exceeds this threshold, the "Sense Select" switch disconnects the internal feedback chain from the error amplifier and connects V<sub>FB</sub> instead.

**POWER MANAGEMENT**
**Electrical Characteristics (Cont.)**

Unless specified:  $V_{EN} = V_{IN}$ ,  $V_{FB} = V_O$ ,  $V_{IN} = 1.40V$  to  $5.5V$ ,  $V_{IN} = (V_O + 0.5V)$  to  $5.5V$  and  $I_O = 1mA$  to  $1A$ .  
 Values in **bold** apply over the full operating temperature range.

Parameter	Symbol	Test Conditions	Min	Typ	Max	Units
<b>VO (Cont.)</b>						
Dropout Voltage <sup>(1)(2)</sup>	$V_D$	$I_O = 1A$		90	300	mV
					<b>400</b>	
		$I_O = 1.5A$		200	400	mV
					<b>500</b>	
		$I_O = 2A, V_{IN} = V_O + 0.5V$		300	500	mV
		$I_O = 2A, V_{IN} = V_O + 0.6V$			<b>600</b>	
Minimum Load Current <sup>(3)</sup>	$I_O$	$V_{IN} = V_O + 0.5V$			<b>1</b>	mA
Current Limit <sup>(4)</sup>	$I_{CL}$		<b>2.1</b>	3		A
<b>Feedback</b>						
Reference Voltage <sup>(1)</sup>	$V_{REF}$	$V_{IN} = 3.3V, V_{FB} = V_{OUT}, I_O = 10mA$	0.495	0.5	0.505	V
			<b>0.485</b>		<b>0.515</b>	
Feedback Pin Current <sup>(4)</sup>	$I_{ADJ}$	$V_{FB} = V_{REF}$		2	<b>200</b>	nA
Feedback Pin Threshold <sup>(5)</sup>	$V_{TH(FB)}$		<b>0.05</b>	0.10	<b>0.40</b>	V
<b>EN</b>						
Enable Pin Current	$I_{EN}$	$V_{EN} = 0V, V_{IN} = 3.3V$		1.5	<b>10</b>	$\mu A$
Enable Pin Threshold	$V_{IH}$	$V_{IN} = 3.3V$	<b>1.6</b>			V
	$V_{IL}$	$V_{IN} = 3.3V$			<b>0.4</b>	
<b>Over Temperature Protection</b>						
High Trip level	$T_{HI}$			155		$^{\circ}C$
Hysteresis	$T_{HYST}$			2		$^{\circ}C$

**Notes:**

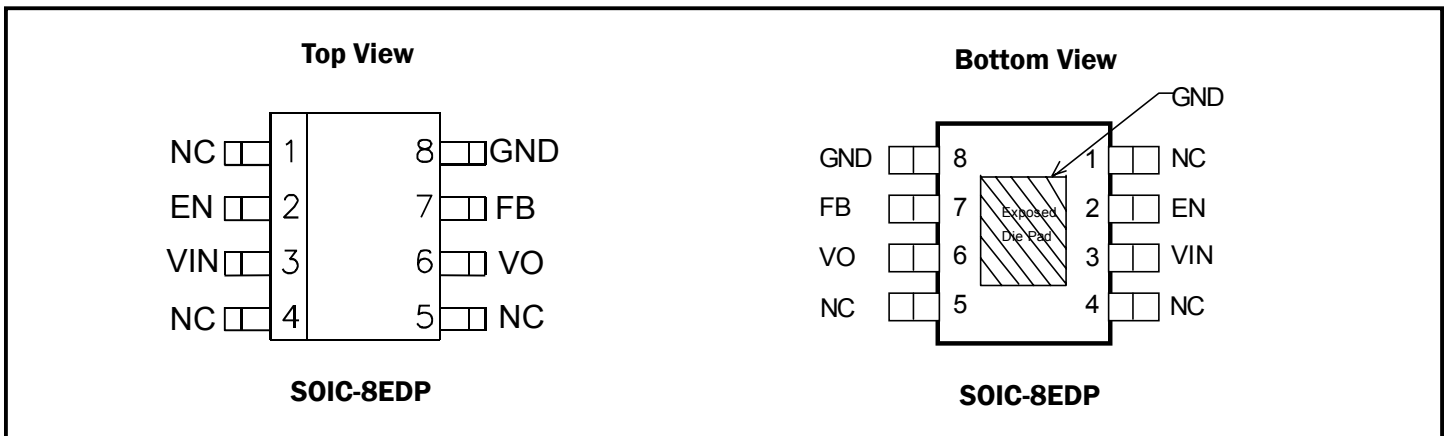
- (1) Low duty cycle pulse testing with Kelvin connections required.
- (2) Defined as the input to output differential at which the output voltage drops to 1.5% below the value measured at a differential of 0.5V.
- (3) Required to maintain regulation. Voltage set resistors R1 and R2 are usually utilized to meet this requirement.
- (4) Guaranteed by design.
- (5) When  $V_{FB}$  exceeds this threshold, the "Sense Select" switch disconnects the internal feedback chain from the error amplifier and connects  $V_{FB}$  instead.

**POWER MANAGEMENT**
**Ordering Information**

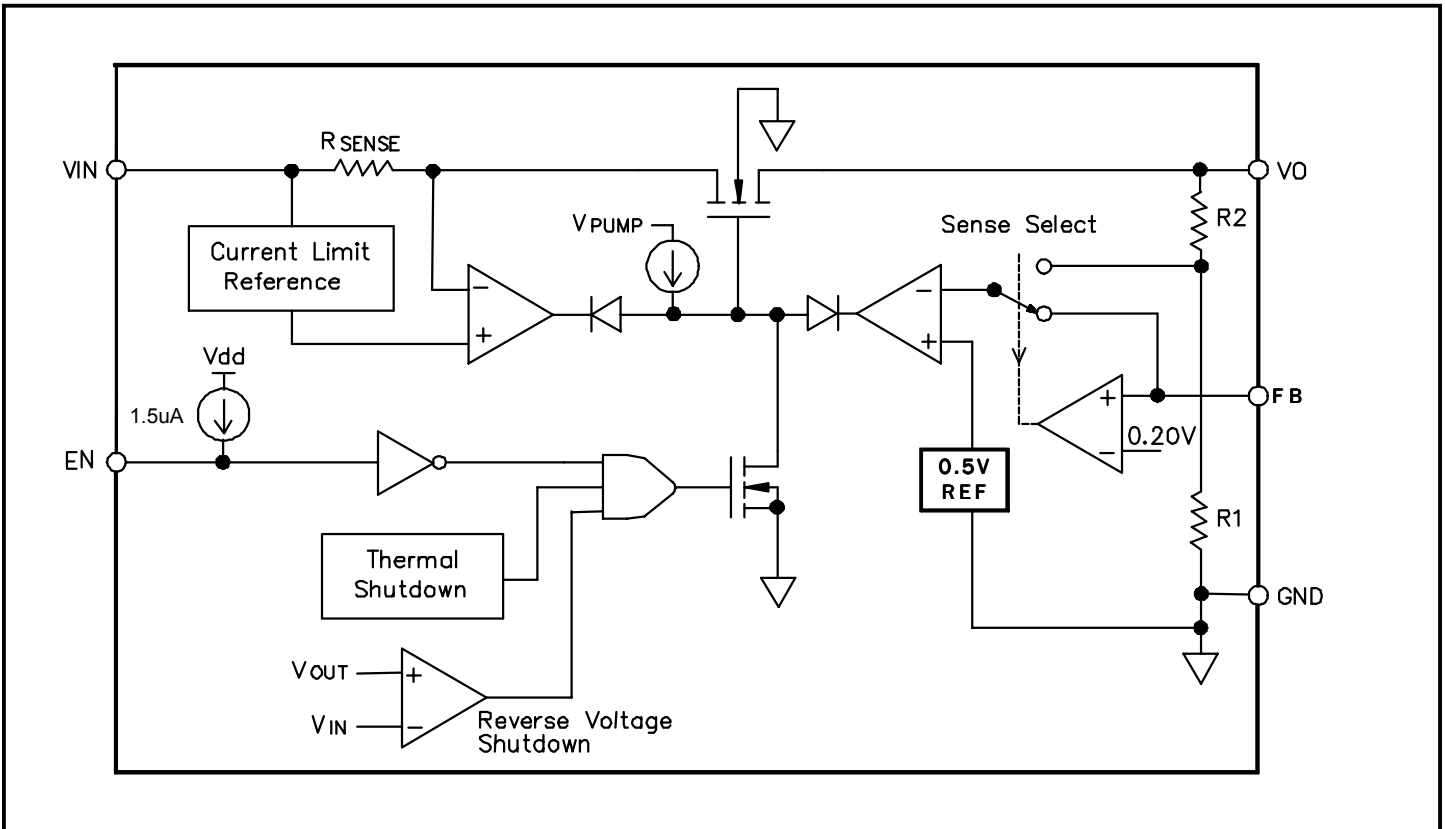
Part Number	Package	Temp. Range (T <sub>A</sub> )
SC4215ASTRT <sup>(1)(2)(3)</sup>	SOIC-8EDP	-40 to +85 °C
SC4215AEVB	Evaluation Board	

Note:

- (1) Available voltage is : 0.5V(FB=VO), 1.0V(FB=GND) or Output voltage can be adjusted using external resistors, see Pin Descriptions.
- (2) Only available in tape and reel packaging 2500 devices for the SOIC-8EDP package.
- (3) Lead free product. This product is fully WEEE and RoHS compliant.

**Pin Configuration**

**Pin Descriptions**

Pin Name	Pin Description
FB	When this pin is grounded, an internal resistor divider sets the output voltage to 1.0V. If connected to the Vo pin, the output voltage will be set at 0.5V. If external feedback resistors are used, the output voltage will be $V_O = \frac{0.5(R_1 + R_2)}{R_2} \text{ Volts}$
EN	Enable Input. Pulling this pin below 0.4V turns the regulator off, reducing the quiescent current to a fraction of its operating value. A pull up resistor up to 400kOhms should be connected from this pin to the VIN pin in application where supply voltages of 1.4V<Vin<1.9V is required. For applications with higher voltages than 1.9V, EN pin could be left open or connected to VIN.
GND	Reference ground. Note: The GND pin and the exposed die pad must be connected together at the IC pin. Use the exposed die pad on the device for heatsinking.
VIN	Input voltage. For regulation at full load, the input to this pin must be between (VO+ 0.5V) and 5.5V. Minimum VIN = 1.4V. A large bulk capacitance should be placed closely to this pin to ensure that the input supply does not sag below 1.4V. Also a minimum of 4.7uF ceramic capacitor should be placed directly at this pin.
VO	The pin is the power output of the device. A minimum of 10uF ceramic capacitor should be placed directly at this pin.
NC	All pins labeled as NC are no connection pins and can be left floating.

**POWER MANAGEMENT**
**Block Diagram**


**POWER MANAGEMENT**
**Applications Information**
**Introduction**

The SC4215A is intended for applications where high current capability and very low dropout voltage are required. It provides a very simple, low cost solution that uses very little PCB real estate. Additional features include an enable pin to allow for a very low power consumption standby mode, and a fully adjustable output.

**Component Selection**

**Input capacitor:** A large bulk capacitance of about 100 $\mu$ F should be closely placed to the input supply pin of the SC4215A to ensure that  $V_{in}$  does not sag below 1.4V. Also a minimum of 4.7 $\mu$ F ceramic capacitor is recommended to be placed directly next to the  $V_{in}$  pin. This allows for the device being some distance from any bulk capacitance on the rail. Additionally, input droop due to load transients is reduced, improving load transient response. Additional capacitance may be added if required by the application.

**Output capacitor:** a minimum bulk capacitance of 10 $\mu$ F, along with a 0.1 $\mu$ F ceramic decoupling capacitor is recommended. Increasing the bulk capacitance will improve the overall transient response. The use of multiple lower value ceramic capacitors in parallel to achieve the desired bulk capacitance will not cause stability issues. Although designed for use with ceramic output capacitors, the SC4215A is extremely tolerant of output capacitor ESR values and thus will also work comfortably with tantalum output capacitors.

**Noise immunity:** in very electrically noisy environments, it is recommended that 0.1 $\mu$ F ceramic capacitors be placed from IN to GND and OUT to GND as close to the device pins as possible.

**Internal voltage selection:** By connecting the FB pin to GND, an internal resistor divider will regulate the output voltage to 1.0V.

If the FB pin is connected directly to the VO pin, the output voltage will be regulated to the 0.5v internal reference.

**External voltage selection resistors:** the use of 1% resistors, and designing for a current flow  $\geq 10\mu$ A is recommended to ensure a well regulated output (thus  $R2 \leq 120k\Omega$ ).

**Enable:** Pulling this pin below 0.4V turns the regulator off, reducing the quiescent current to a fraction of its operating value. A pull up resistor up to 400kOhms should be connected from this pin to the  $V_{IN}$  pin in application where supply voltages of  $1.4V < V_{in} < 1.9V$  is required. For applications with higher voltages than 1.9V, EN pin could be left open or connected to  $V_{IN}$ .

**Thermal Considerations**

The power dissipation in the SC4215A is approximately equal to the product of the output current and the input to output voltage differential:

$$P_D \approx (V_{IN} - V_{OUT}) \cdot I_o$$

The absolute worst-case dissipation is given by:

$$P_{D(MAX)} = (V_{IN(MAX)} - V_{OUT(MIN)}) \cdot I_{O(MAX)} + V_{IN(MAX)} \cdot I_{Q(MAX)}$$

For a typical scenario,  $V_{IN} = 3.3V \pm 5\%$ ,  $V_{OUT} = 2.8V$  and  $I_o = 1A$ , therefore:

$$V_{IN(MAX)} = 3.465V, V_{OUT(MIN)} = 2.744V \text{ and } I_{Q(MAX)} = 1.75mA,$$

$$\text{Thus } P_{D(MAX)} = .722W.$$

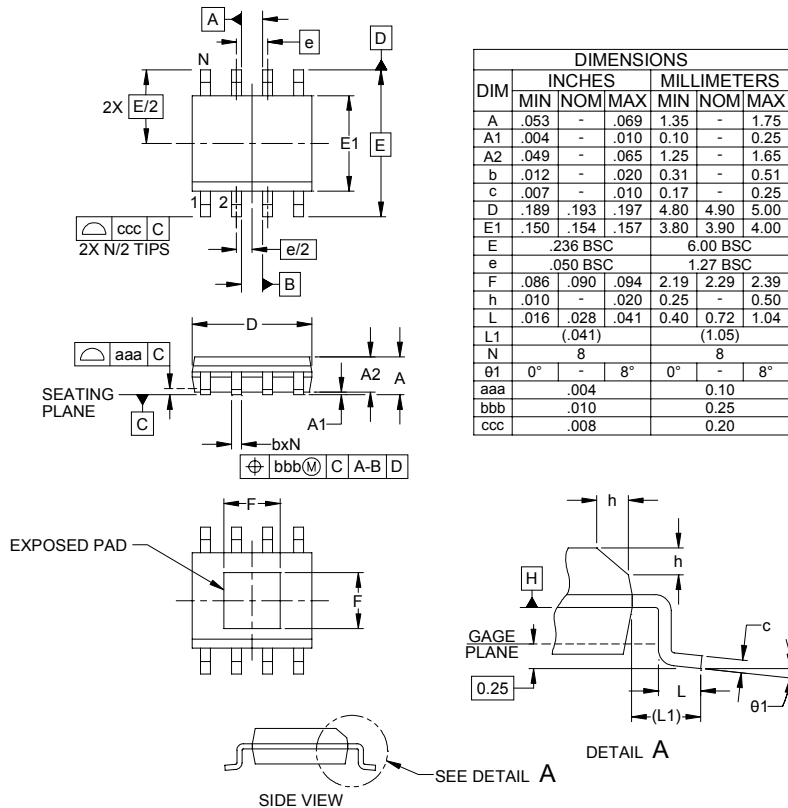
Using this figure, and assuming  $T_{A(MAX)} = 70^\circ C$ , we can calculate the maximum thermal impedance allowable to maintain  $T_j \leq 150^\circ C$ :

$$R_{TH(J-A)(MAX)} = \frac{(T_{J(MAX)} - T_{A(MAX)})}{P_{D(MAX)}} = \frac{(150 - 70)}{.722} = 110^\circ C/W$$

This should be achievable for the SOIC-8EDP package using PCB copper area to aid in conducting the heat away, such as one square inch of copper connected to the ground pins of the device. Internal ground/power planes and air flow will also assist in removing heat. For higher ambient temperatures it may be necessary to use additional copper area.

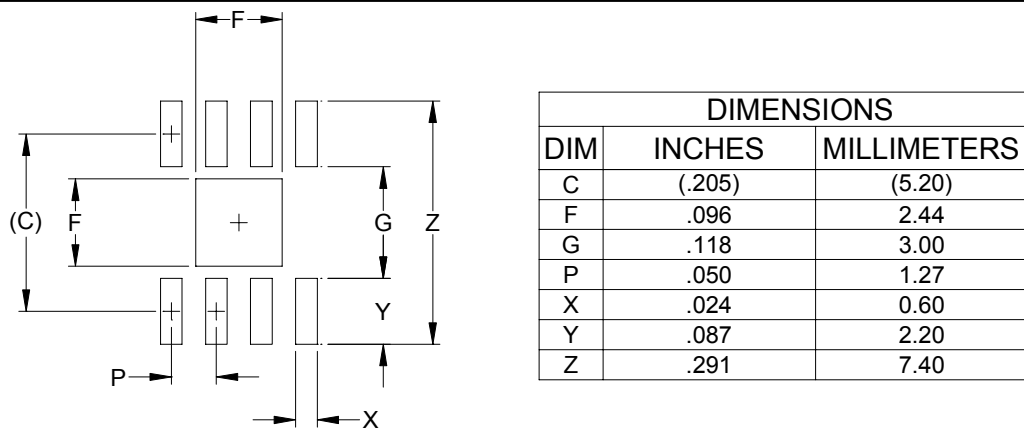
POWER MANAGEMENT

Outline Drawing - SOIC-8EDP



- NOTES:
1. CONTROLLING DIMENSIONS ARE IN MILLIMETERS (ANGLES IN DEGREES).
  2. DATUMS **-A-** AND **-B-** TO BE DETERMINED AT DATUM PLANE **-H-**
  3. DIMENSIONS "E1" AND "D" DO NOT INCLUDE MOLD FLASH, PROTRUSIONS OR GATE BURRS.
  4. REFERENCE JEDEC STD MS-012, VARIATION AA.

Land Pattern - SOIC-8EDP



- NOTES:
1. THIS LAND PATTERN IS FOR REFERENCE PURPOSES ONLY. CONSULT YOUR MANUFACTURING GROUP TO ENSURE YOUR COMPANY'S MANUFACTURING GUIDELINES ARE MET.
  2. REFERENCE IPC-SM-782A, RLP NO. 300A.

**POWER MANAGEMENT****Contact Information**

Semtech Corporation  
Power Management Products Division  
200 Flynn Road, Camarillo, CA 93012  
Phone: (805)498-2111 FAX (805)498-3804