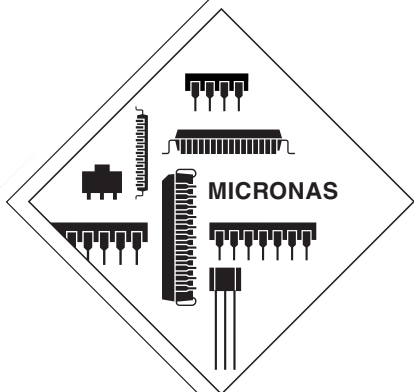




ADVANCE INFORMATION

MAS 3587F
MPEG Layer 3
Audio Encoder/Decoder



Contents

Page	Section	Title
5	1.	Introduction
5	1.1.	Features
6	1.2.	Application Overview
7	2.	Functional Description of the MAS 3587F
7	2.1.	Overview
7	2.2.	Architecture of the MAS 3587F
7	2.3.	DSP Core
7	2.4.	RAM and Registers
8	2.5.	Firmware and Software
8	2.5.1.	Internal Program ROM and Firmware, MPEG-Encoding/Decoding
9	2.5.2.	Program Download Feature
9	2.6.	Audio Codec
9	2.7.	A/D Converter and Microphone Amplifier
9	2.7.1.	Baseband Processing
9	2.7.1.1.	Bass, Treble, and Loudness
9	2.7.2.	Micronas Dynamic Bass (MDB)
9	2.7.2.1.	Automatic Volume Control (AVC)
10	2.7.2.2.	Balance and Volume
10	2.7.3.	D/A Converters
10	2.7.4.	Output Amplifiers
10	2.8.	Clock Management
11	2.8.1.	DSP Clock
11	2.8.2.	Clock Output at CLKO
11	2.9.	Power Supply Concept
11	2.9.1.	Power Supply Regions
11	2.9.2.	DC/DC Converters
13	2.9.3.	Power Supply Configurations
13	2.10.	Battery Voltage Supervision
14	2.11.	Interfaces
14	2.11.1.	I ² C Control Interface
14	2.11.2.	S/PDIF Input Interface
14	2.11.3.	S/PDIF Output
14	2.11.4.	Multiline Serial Audio Input (SDI, SDIB)
14	2.11.5.	Multiline Serial Output (SDO)
14	2.11.6.	Parallel Input/Output Interface (PIO)
15	2.12.	MPEG Synchronization Output
15	2.13.	Default Operation
15	2.13.1.	Stand-by Functions
15	2.13.2.	Power-Up of the DC/DC Converters and Reset
16	2.13.3.	Control of the Signal Processing
16	2.13.4.	Start-up of the Audio Codec
16	2.13.5.	Power-Down

Contents, continued

Page	Section	Title
17	3.	I²C Interface
17	3.1.	General
17	3.1.1.	Device Address
17	3.1.2.	I ² C Registers and Subaddresses
18	3.1.3.	Naming Convention
19	3.2.	Direct Configuration Registers
19	3.2.1.	Write Direct Configuration Registers
19	3.2.2.	Read Direct Configuration Register
24	3.3.	DSP Core
24	3.3.1.	Access Protocol
25	3.3.1.1.	Run and Freeze
25	3.3.1.2.	Read Register (Code A _{hex})
26	3.3.1.3.	Write Register (Code B _{hex})
26	3.3.1.4.	Read D0 Memory (Code C _{hex})
27	3.3.1.5.	Short Read D0 Memory (Code C4 _{hex})
27	3.3.1.6.	Read D1 Memory (Code D _{hex})
28	3.3.1.7.	Short Read D1 Memory (Code D4 _{hex})
28	3.3.1.8.	Write D0 Memory (Code E _{hex})
29	3.3.1.9.	Short Write D0 Memory (Code E4 _{hex})
29	3.3.1.10.	Write D1 Memory (Code F _{hex})
29	3.3.1.11.	Short Write D1 Memory (Code F4 _{hex})
30	3.3.1.12.	Clear SYNC Signal (Code 5 _{hex})
30	3.3.1.13.	Default Read
31	3.3.1.14.	Fast Program Download
31	3.3.1.15.	Serial Program Download
32	3.3.2.	List of DSP Registers
32	3.3.3.	List of DSP Memory Cells
32	3.3.3.1.	Application Select and Running
32	3.3.3.2.	Application Specific Control
40	3.3.4.	Ancillary Data
41	3.3.5.	DSP Volume Control
42	3.4.	Audio Codec Access Protocol
42	3.4.1.	Write Codec Register
42	3.4.2.	Read Codec Register
43	3.4.3.	Codec Registers
49	3.4.4.	Basic MDB Configuration
50	4.	Specifications
50	4.1.	Outline Dimensions
50	4.2.	Pin Connections and Short Descriptions
53	4.3.	Pin Descriptions
53	4.3.1.	Power Supply Pins
53	4.3.2.	Analog Reference Pins
53	4.3.3.	DC/DC Converters and Battery Voltage Supervision
53	4.3.4.	Oscillator Pins and Clocking
53	4.3.5.	Control Lines
53	4.3.6.	Parallel Interface Lines

Contents, continued

Page	Section	Title
54	4.3.6.1.	PIO Handshake Lines
54	4.3.7.	Serial Input Interface (SDI)
54	4.3.8.	Serial Input Interface B (SDIB)
54	4.3.9.	Serial Output Interface (SDO)
54	4.3.10.	S/PDIF Input Interface
54	4.3.11.	S/PDIF Output Interface
54	4.3.12.	Analog Input Interfaces
54	4.3.13.	Analog Output Interfaces
55	4.3.14.	Miscellaneous
55	4.4.	Pin Configurations
56	4.5.	Internal Pin Circuits
58	4.6.	Electrical Characteristics
58	4.6.1.	Absolute Maximum Ratings
59	4.6.2.	Recommended Operating Conditions
62	4.6.3.	Digital Characteristics
63	4.6.3.1.	I ² C Characteristics
64	4.6.3.2.	Serial (I ² S) Input Interface Characteristics (SDI, SDIB)
66	4.6.3.3.	Serial Output Interface Characteristics (SDO)
68	4.6.3.4.	S/PDIF Input Characteristics
69	4.6.3.5.	S/PDIF Output Characteristics
70	4.6.3.6.	PIO as Parallel Input Interface: DMA Mode
71	4.6.3.7.	PIO as Parallel Output Interface: DMA Mode
72	4.6.4.	Analog Characteristics
76	4.6.5.	DC/DC Converter Characteristics
77	4.6.6.	Typical Performance Characteristics
79	4.7.	Typical Application in a Portable Player
80	4.8.	Recommended DC/DC Converter Application Circuit
82	5.	Data Sheet History

MPEG Layer 3 Audio Encoder/Decoder

This data sheet applies to MAS 3587F version A1.

1. Introduction

The MAS 3587F is a single-chip MPEG layer 3 audio encoder/decoder designed for use in memory-based recording/playback applications, e.g. MP3 record/playback equipment. The IC contains a DSP engine with embedded RAM and ROM. It provides flexible digital interfaces for serial and S/PDIF audio data input and output. Also integrated are power management functions and two DC/DC converters for single cell power supply. A high-quality stereo D/A converter and a stereo A/D converter on chip provide the analog functions required in an advanced portable audio player.

In encoding mode, audio data is input via the integrated A/D converter, serial PCM, or S/PDIF interface. The compressed digital data stream is sent via the parallel interface. In decoding mode, compressed digital data streams are accepted in the parallel or serial format. The audio data is output via the high quality D/A converter. A digital output in serial PCM format and/or S/PDIF format is also provided.

Thus, the MAS 3587F provides a true 'ALL-IN-ONE' solution that is ideally suited for highly optimized memory based music recorders.

Additional functionality is achieved via download software (e.g. Micronas SC4 encoder/decoder). SC4 is a proprietary Micronas speech codec technology based on ADPCM. The codec can be downloaded to the MAS 3587F to allow high quality speech recording and playing back at various sampling rates. (Please contact your local Micronas Sales Representative about availability of SC4 downloads).

In MPEG 1 (ISO 11172-3), three hierarchical layers of compression have been standardized. The most sophisticated and complex, layer 3, allows compression rates of approximately 12:1 for mono and stereo signals while still maintaining CD audio quality.

1.1. Features

Firmware

- MPEG 1/2 layer 3 encoder
- Encoding with adaptive bit rate up to max. 192 kbit/s
- MPEG 1/2 layer 2 and layer 3 decoder
- Decoder-Extension to MPEG 2 layer 3 for low bit rates ("MPEG 2.5")
- Extraction of MPEG Ancillary Data
- Adaptive bit rates (bit rate switching)
- SDMI-compliant security technology for decoder
- Stereo channel mixer
- Bass, treble and loudness function
- Micronas Dynamic Bass (MDB)
- Automatic Volume Control (AVC)

Interfaces

- 2 serial asynchronous interfaces for bitstreams and uncompressed digital audio
- Parallel handshake bit stream input/output
- Serial audio output via I²S and related formats
- S/PDIF audio input
- S/PDIF audio output
- Controlling via I²C interface

Hardware Features

- Two independent embedded DC/DC converters (e.g. for DSP and flash RAM supply)
- Low DC/DC converter start-up voltage (0.9 V)
- DC converter efficiency up to 95 %
- Battery voltage monitor
- Low supply voltage (down to 2.2 V for decoder, 3.5 V for encoder)
- Low power dissipation (<70 mW for decoder, <400 mW for encoder)
- Hardware power management and power-off functions
- Microphone amplifier
- Stereo A/D converter for FM/AM-radio and speech input
- CD quality stereo D/A converter
- Headphone amplifier
- On-chip crystal oscillator
- External clock or crystal frequency of 13...20 MHz
- Standby current < 10 µA

1.2. Application Overview

The following block diagram shows an example application for the MAS 3587F in a portable audio recorder device. Besides a simple controller and the external flash memories, all required components are integrated in the MAS 3587F. By means of the embedded A/D-Converter, the MAS 3587F supports both speech and FM radio quality audio encoding. CD-quality encoding/decoding is achieved by using digital inputs/ embedded D/A-Converter.

Fig. 1–1 depicts a portable audio application that is power optimized. The two embedded DC/DC converters of the MAS 3587F generate optimum power supply voltages for the DSP core and also for state-of-the art flash memories that typically require 2.7 to 3.3 V supply.

The performance of the DC/DC converters reaches efficiencies up to 95%.

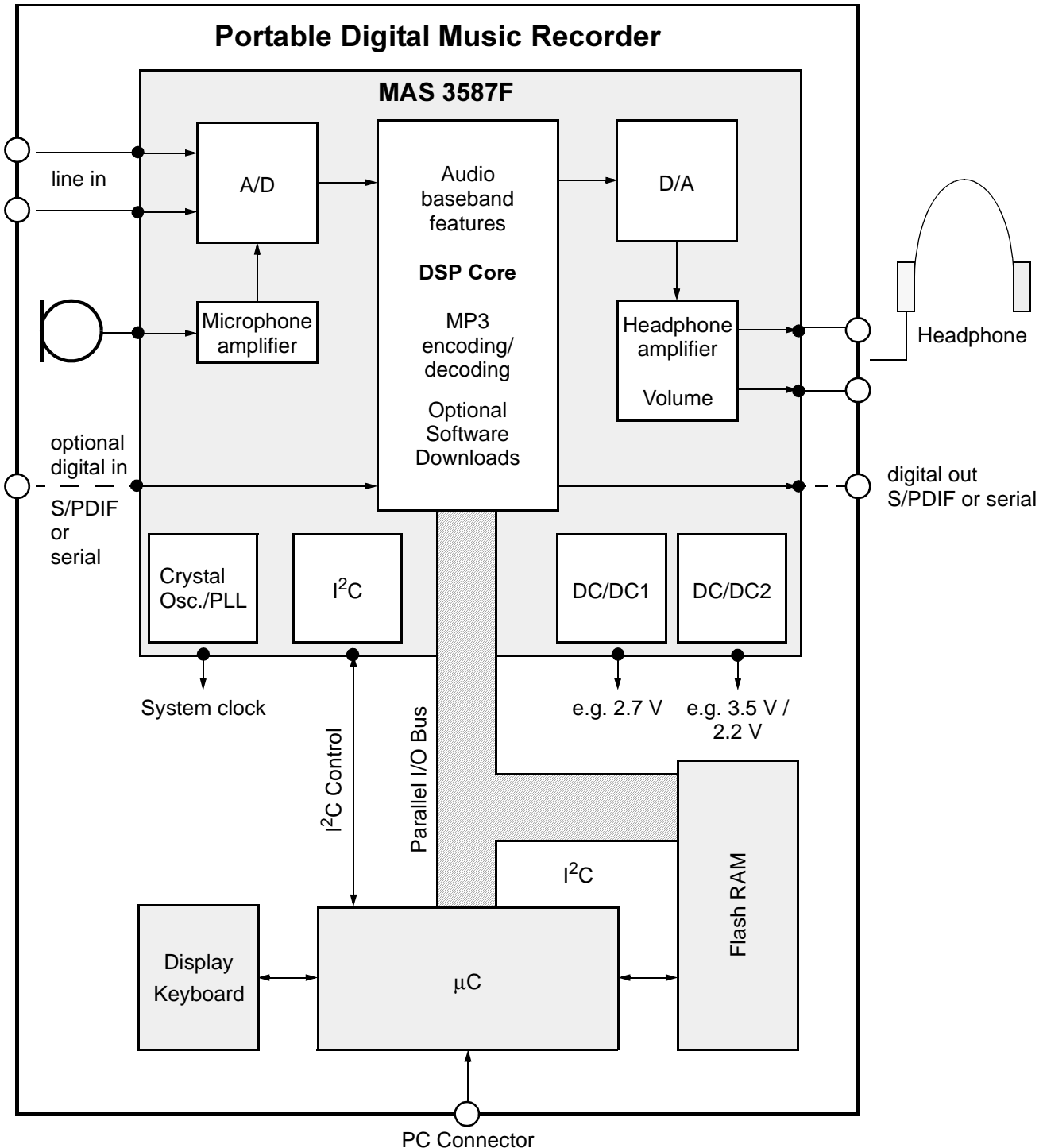


Fig. 1–1: Example application for the MAS 3587F in a portable audio recorder device

2. Functional Description of the MAS 3587F

2.1. Overview

The MAS 3587F is intended for use in consumer audio applications. It encodes analog audio input, PCM data or S/PDIF signals to variable bit rate MPEG 1/2 Layer 3 data streams. The compressed data is stored in an external memory via the parallel port. For playback it receives S/PDIF, parallel or serial data streams and decodes MPEG Layer 2 and 3 (including the low sampling frequency extensions).

2.2. Architecture of the MAS 3587F

The hardware of the MAS 3587F consists of a high-performance RISC Digital Signal Processor (DSP), and appropriate interfaces. A hardware overview of the IC is shown in Fig. 2-1.

2.3. DSP Core

The internal processor is a dedicated DSP for advanced audio applications.

2.4. RAM and Registers

The DSP core has access to two RAM banks denoted D0 and D1. All RAM addresses can be accessed in a 20-bit or a 16-bit mode via I²C bus. For fast access of internal DSP states the processor core has an address space of 256 data registers which can be accessed by I²C bus. For more details please refer to Section 3.3. on page 24.

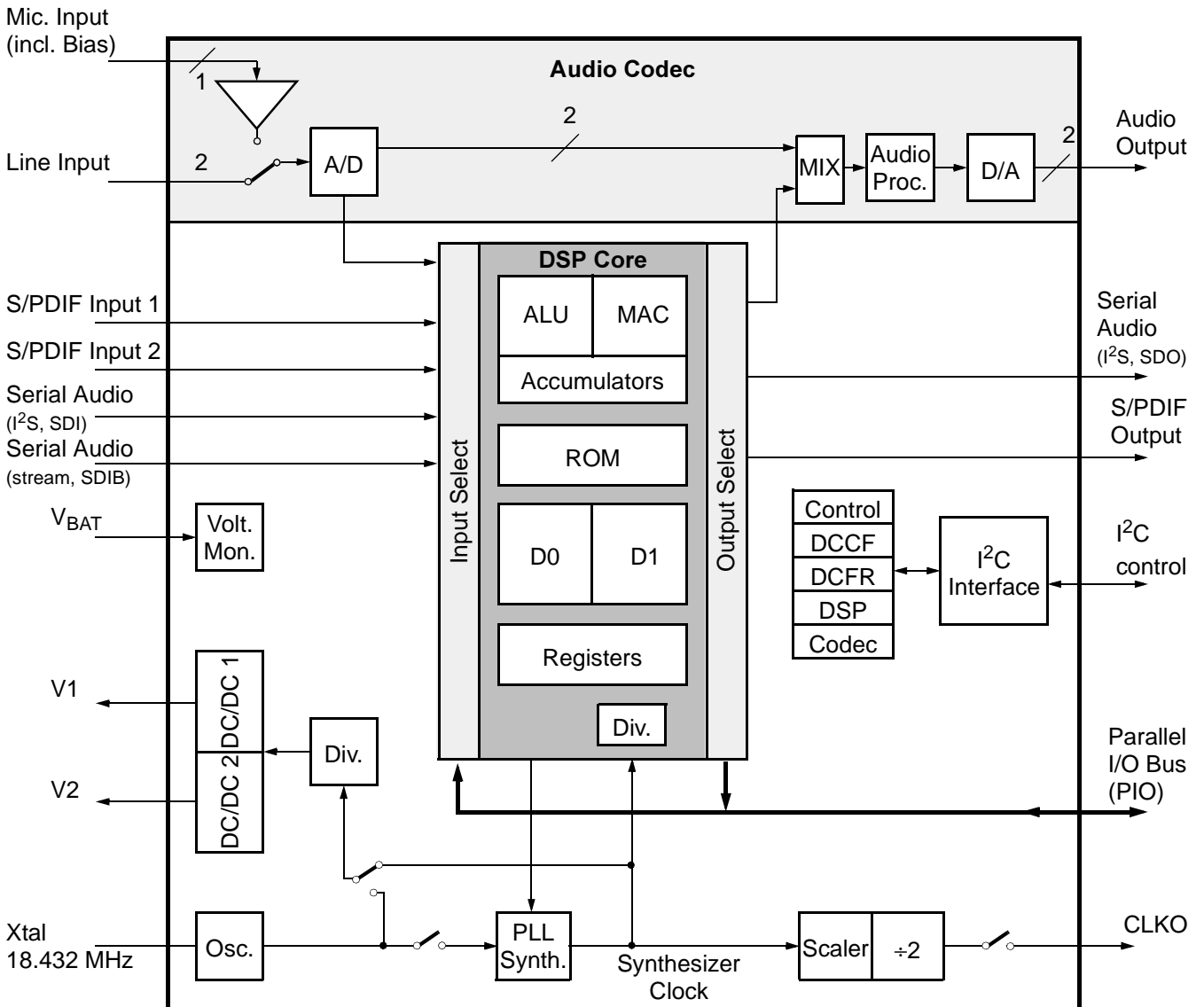


Fig. 2-1: The MAS 3587F architecture

2.5. Firmware and Software

2.5.1. Internal Program ROM and Firmware, MPEG-Encoding/Decoding

The firmware implemented in the program ROM of the MAS 3587F provides MPEG 1/2 Layer 3 encoding and decoding of MPEG 1/2 Layer 2 and MPEG 1/2 Layer 3.

The DSP operating system starts the firmware in the "Application Selection Mode". By setting the appropriate bit in the Application Select memory cell (see Table 3-6 on page 33), the MPEG audio encoder or decoder can be activated.

The MPEG decoder provides an automatic standard detection mode. If all MPEG audio decoders are selected, the Layer 2 or Layer 3 bitstream is recognized and decoded automatically.

For general control purposes, the operation system provides a set of I²C instructions that give access to internal DSP registers and memory areas.

An auxiliary digital volume control and mixer matrix is applied to the digital stereo audio data. This matrix is capable of performing the balance control and a simple kind of stereo basewidth enhancement. All four factors LL, LR, RL, and RR are adjustable, please refer to Fig. 3-3 on page 41.

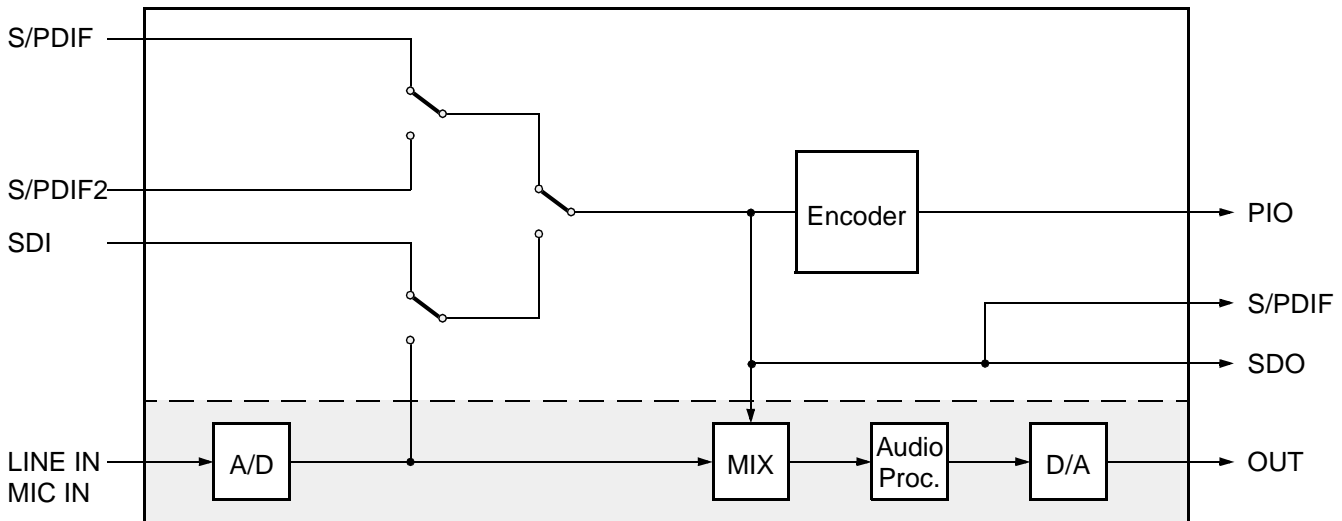


Fig. 2-2: Encoder Signal Flow

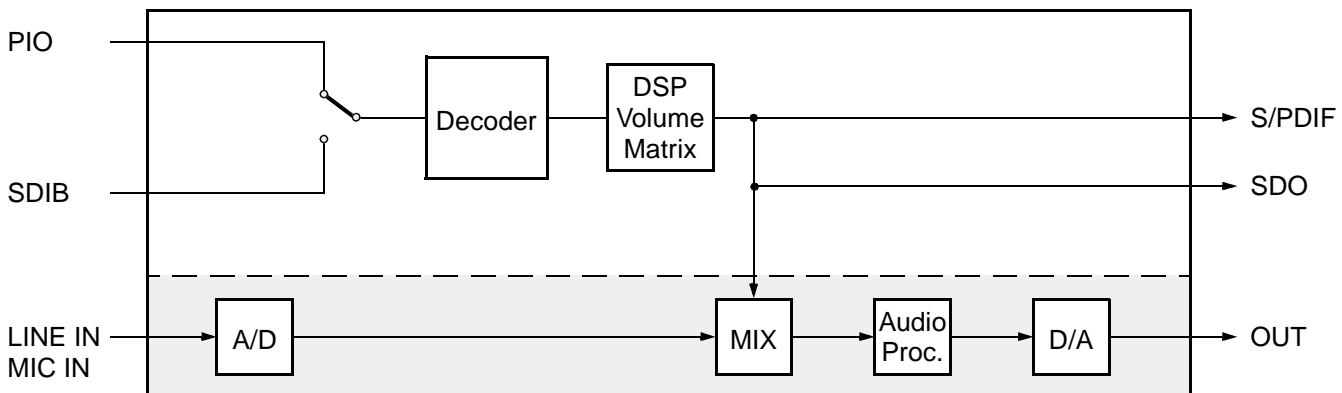


Fig. 2-3: Decoder Signal Flow

2.5.2. Program Download Feature

The standard functions of the MAS 3587F can be extended or substituted by downloading up to 4kWords (1 Word = 20 bits) of program code and additionally up to 4kWords of coefficients into the internal RAM.

The code must be downloaded by the *Fast Program Download* command (see Section 3.3.1.14. on page 31) into an area of RAM that is switchable from data memory to program memory. A *Run* command (see Section 3.3.1.1. on page 25) starts the operation.

2.6. Audio Codec

A sophisticated set of audio converters and sound features has been implemented to comply with various kinds of operating environments that range up to high-end equipment (see Fig. 2-4).

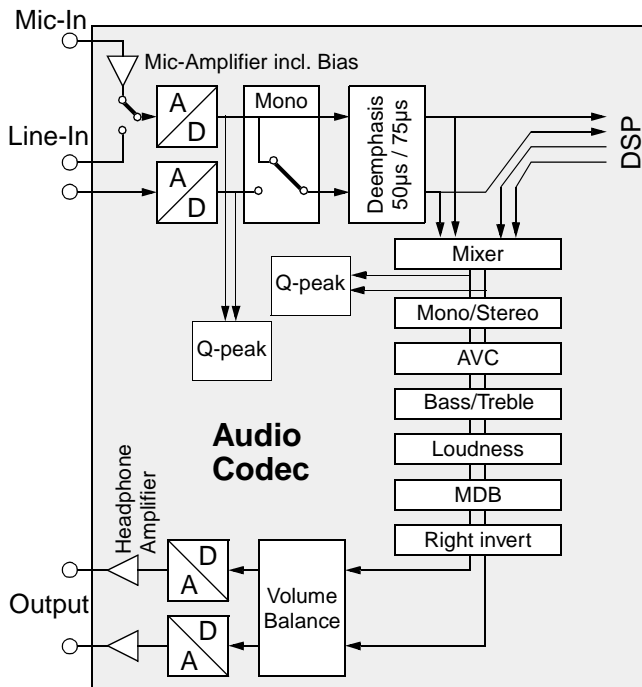


Fig. 2-4: Signal flow block diagram of Audio Codec

2.7. A/D Converter and Microphone Amplifier

A pair of A/D converters is provided for recording or loop-through purposes. In addition, a microphone amplifier including voltage supply function for an electret type microphone has been integrated.

2.7.1. Baseband Processing

The several baseband functions are applied to the digital audio signal immediately before D/A conversion.

2.7.1.1. Bass, Treble, and Loudness

Standard baseband functions such as bass, treble, and loudness are provided (refer to Table 3-12 on page 43 for details).

2.7.2. Micronas Dynamic Bass (MDB)

The Micronas Dynamic Bass system (MDB) was developed to extend the frequency range of loudspeakers or headphones below the cutoff frequency of the speakers. In addition to dynamically amplifying the low frequency bass signals, the MDB exploits the psychoacoustic phenomenon of the 'missing fundamental'. Adding harmonics of the frequency components below the cutoff frequency gives the impression of actually hearing the low frequency fundamental, while at the same time retaining the loudness of the original signal. Due to the parametric implementation of the MDB, it can be customized to create different bass effects and adapted to various loudspeaker characteristics (see Section 3.4.4. on page 49).

2.7.2.1. Automatic Volume Control (AVC)

In a collection of tracks from different sources fairly often the average volume level varies. Especially in a noisy listening environment the user must adjust the volume to achieve a comfortable listening enjoyment. The Automatic Volume Correction (AVC) solves this problem by equalizing the volume level.

To prevent clipping, the AVC's gain decreases quickly in dynamic boost conditions. To suppress oscillation effects, the gain increases rather slowly for low level inputs. The decay time is programmable by means of the AVC register (see Table 3-12 on page 43).

For input levels of -18 dBr to 0 dBr, the AVC maintains a fixed output level of -9 dBr. Fig. 2-5 shows the AVC output level versus its input level. For volume and baseband registers set to 0 dB, a level of 0 dBr corresponds to full scale input/output.

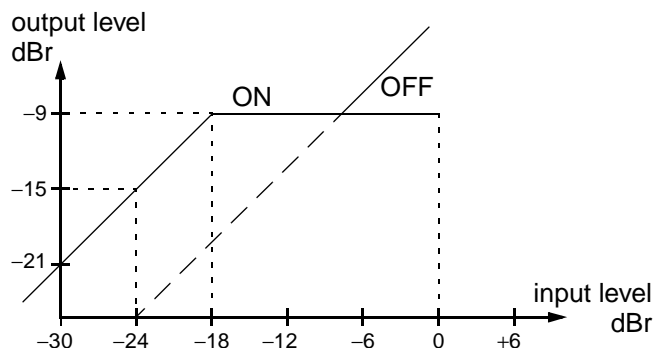


Fig. 2-5: Simplified AVC characteristics

2.7.2.2. Balance and Volume

To minimize quantization noise, the main volume control is automatically split into a digital and an analog part. The volume range is -114...+12 dB with an additional mute position. A balance function is provided (see Table 3-12 on page 43).

2.7.3. D/A Converters

A pair of Micronas' unique multibit sigma-delta D/A converters is used to convert the audio data with high linearity and a superior S/N. In order to attenuate high-frequency noise caused by noise-shaping, internal low-pass filters are included. They require additional external capacitors between pins FILTR and OUTR, and FILTL and OUTL respectively (see Section 4.7. on page 79).

2.7.4. Output Amplifiers

The integrated output amplifiers are capable of driving stereo headphones of 16...32 Ω impedance via 22-Ω series resistors or built-in loudspeakers of 16 Ω impedance directly. If more output power is required, the right output signal can be inverted and a single loudspeaker can be connected as a bridge between pins OUTL and OUTR. In this case the minimum impedance is 32 W, and for optimized power the source should be set to mono.

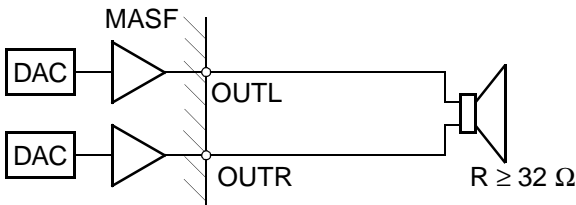


Fig. 2-6: Bridge operation mode

2.8. Clock Management

The MAS 3587F is driven by a single crystal-controlled clock with a frequency of 18.432 MHz. It is possible to drive the MAS 3587F with other reference clocks. In this case, the nominal crystal frequency must be written into memory location D0:7f3. The crystal clock acts as a reference for the embedded synthesizer that generates the internal clock.

For compressed audio data reception, the MAS 3587F may act either as the clock master (Demand Mode) or as a slave (Broadcast Mode) as defined by bit 1 in IOControlMain memory cell (see Table 3-7 on page 34). In both modes, the output of the clock synthesizer depends on the sample rate of the decoded data stream as shown in Table 2-1.

In the BROADCAST MODE (PLL on), the incoming audio data controls the clock synthesizer via a PLL.

In the DEMAND MODE (PLL off) the MAS 3587F acts as the system master clock, the internal clock. The data transfer is triggered by a demand signal at pin \overline{EOD} . This mode is used in most applications.

In the encoder application, the MAS 3587F is clock master in case of I²S audio input. For S/PDIF input, the MAS 3587F synchronizes the clock to the incoming S/PDIF signal.

Table 2-1: Settings of bits 8 and 17 in OutClkConfig and resulting CLKO output frequencies

f _s /kHz	Output Frequency at CLKO/MHz				
	Synth. Clock bit 8=1	Scaler On bit 8=0, bit 17=0		Scaler Plus Extra Division bit 8=0, bit 17=1	
48	24.576	512·f _s	24.576	256·f _s	12.288
44.1	22.5792		22.5792		11.2896
32	24.576	512·f _s	768·f _s	256·f _s	12.288
24			12.288		6.144
22.05	22.5792	11.2896	768·f _s	384·f _s	6.144
16	24.576	12.288			
12	22.5792	512·f _s	6.144	256·f _s	3.072
11.025			5.6448		2.8224
8	24.576	768·f _s	6.144	384·f _s	3.072

2.8.1. DSP Clock

The DSP clock has a separate divider. For power conservation it is set to the lowest acceptable rate of the synthesizer clock which is capable to allow the processor core to perform all tasks.

2.8.2. Clock Output at CLK0

If the DSP or audio codec functions are enabled (bits 11 or 10 in the Control Register at I²C subaddress 6a_{hex}), the reference clock at pin CLK0 is derived from the synthesizer clock.

Dependent on the sample rate of the decoded signal a scaler is applied which automatically divides the clock-out by 1, 2, or 4, as shown in Table 2–1. An additional division by 2 may be selected by setting bit 17 of the Output Clock Configuration memory cell, OutClkConfig (see Table 3–7 on page 34). The scaler can be disabled by setting bit 8 of this cell.

The controlling at OutClkConfig is only possible as long as the DSP is operational (bit 10 of the Control Register). Settings remain valid if the DSP is disabled by clearing bit 10.

2.9. Power Supply Concept

The MAS 3587F has been designed for minimal power dissipation. In order to optimize the battery management in portable players, two DC/DC converters have been implemented to supply the complete portable audio player with regulated voltages.

2.9.1. Power Supply Regions

The MAS 3587F has five power supply regions.

The VDD/VSS pin pair supplies all digital parts including the DSP core, the XVDD/XVSS pin pair is connected to the digital signal pin output buffers, the AVDD0/AVSS0 supply is for the analog output amplifiers, AVDD1/AVSS1 for all other analog circuits like clock oscillator, PLL circuits, system clock synthesizer and A/D and D/A converters. The I²C interface has an own supply region via pin I2CVDD. Connecting this to the microcontroller supply assures that the I²C bus always works as long as the microcontroller is alive so that the operating modes can be selected.

Beside these regions, the DC/DC converters have start-up circuits of their own which get their power via pin VSENSx.

2.9.2. DC/DC Converters

The MAS 3587F has two embedded high-performance step-up DC/DC converters with synchronous rectifiers to supply both the DSP core itself and external circuitry such as a controller or flash memory at two different voltage levels. An overview is given in Fig. 2–7 on page 12.

The DC/DC converters are designed to generate an output voltage between 2.0 V and 3.5 V which can be programmed separately for each converter via the I²C interface (see Table 3–3 on page 20). Both converters are of the bootstrapped type which allow start up from a voltage down to 0.9 V for use with a single battery or NiCd/NiMH cell. The default output voltages are 3.0 V. Both converters are enabled with a high level at pin DCEN and enabled/disabled by the I²C interface.

The MAS 3587F DC/DC converters feature a constant-frequency, low noise pulse width modulation (PWM) mode and a low quiescent current, pulse frequency modulation (PFM) mode for improved efficiencies at low current loads. Both modes – PWM or PFM – can be selected independently for each converter via I²C interface. The default mode is PWM.

In the PWM mode, the switching frequency of the power-MOSFET-switches is derived from the crystal oscillator. Switching harmonics generated by constant frequency operation are consistent and predictable. When the audio codec is enabled the switching frequency of the converters is synchronised to the audio codec clock to avoid interferences into the audio band. The actual switching frequency can be selected via the I²C-interface between 300 kHz and 580 kHz (for details see DCFR Register in Table 3–3 on page 20).

In the PFM operation mode, the switching frequency is controlled by the converters themselves, it will be just high enough to service the output load thus resulting in the best possible efficiency at low current loads. PFM mode does not need a clock signal from the crystal oscillator. If both converters do not use the PWM-mode, the crystal clock will be shut down as long it is not needed from other internal blocks.

The synchronous rectifier bypasses the external Schottky diode to reduce losses caused by the diode forward voltage providing up to 5% efficiency improvement. By default, the P-channel synchronous rectifier switch is turned on when the voltage at pin(s) DCSON exceeds the converter's output voltage at pin(s) VSENSn and turns off when the inductor current drops below a threshold. If one or both converters are disabled, the corresponding P-channel switch will be turned on, connecting the battery voltage to the DC/DC converters output voltage at pin VSENSn. However, it is possible to individually disable both synchronous rectifier switches by setting the corresponding bits (bit 8 and 0 in DCCF-register).

If both DC/DC-converters are off, a high signal may be applied at pin DCEN. This will start the converters in their default mode (PWM with 3.0 V output voltage). The PUP signal will change from low to high when both converters have reached their nominal output voltage and will return to low when both converters output voltages have dropped 200 mV below their programmed output voltage. The signal at pin PUP can be used to control the reset of an external microcontroller (see Section 2.13.2. on page 15 for details on start up procedure).

If only DC/DC-converter 1 is used, the output of the unused converter 2 (VSENS2) must be connected to the output of converter 1 (VSENS1) to make the PUP signal work properly. Also, if a DC/DC-converter is not used (no inductor connected), the pin DCSO must be left vacant.

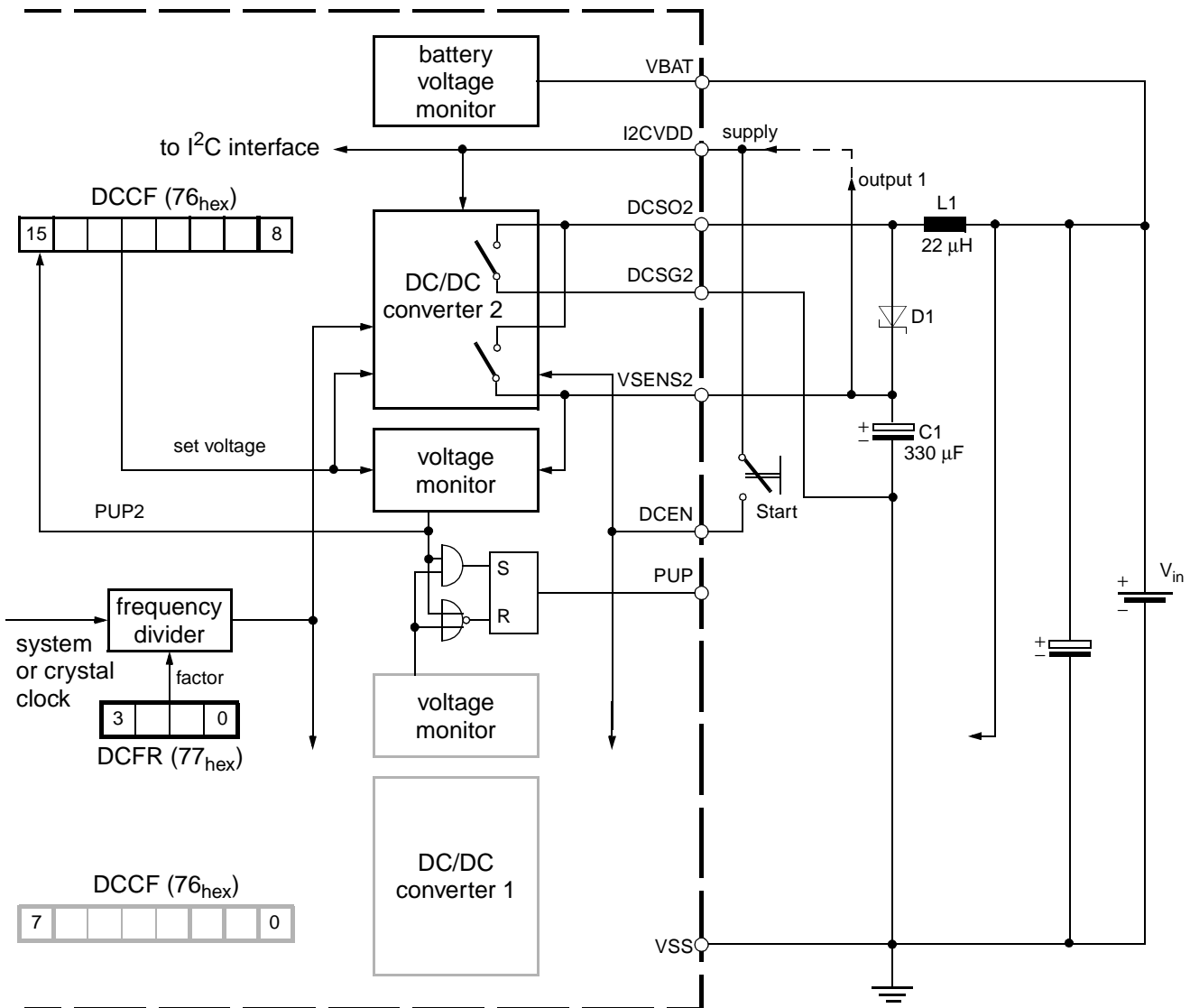


Fig. 2-7: DC/DC converter overview (DCEN input must be connected to pin I2CVDD via the start-up push button)

2.9.3. Power Supply Configurations

One of the following supply configurations may be used:

- Configuration 1: DC/DC 1 (e.g. 2.7 V) supplies controller, flash and MAS 3587F audio parts, DC/DC 2 generates e.g. 2.5 V/3.5 V for the MAS 3587F DSP (see Fig. 2–8).
- Configuration 2: All components are powered by an external source, no DC/DC converter is used (see Fig. 2–9).

If DC/DC converter 1 is used, it must supply the analog circuits (pins AVDD0, AVDD1) of the MAS 3587F.

If the DC/DC converters are not used, pin DCEN must be connected to VSS, DCSox must be left vacant.

2.10. Battery Voltage Supervision

A battery voltage supervision circuit (at pin VBAT) is provided which is independent of the DC/DC converters. It can be programmed to supervise one or two battery cells. The voltage is measured by subsequently setting a series of voltage thresholds and checking the respective comparison result in register 77_{hex} (see Table 3–3 on page 20).

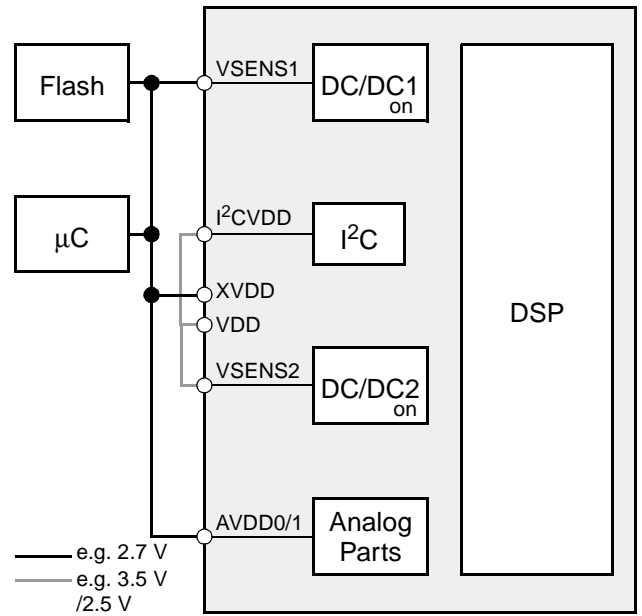


Fig. 2–8: Configuration1: DC/DC-Converter supply

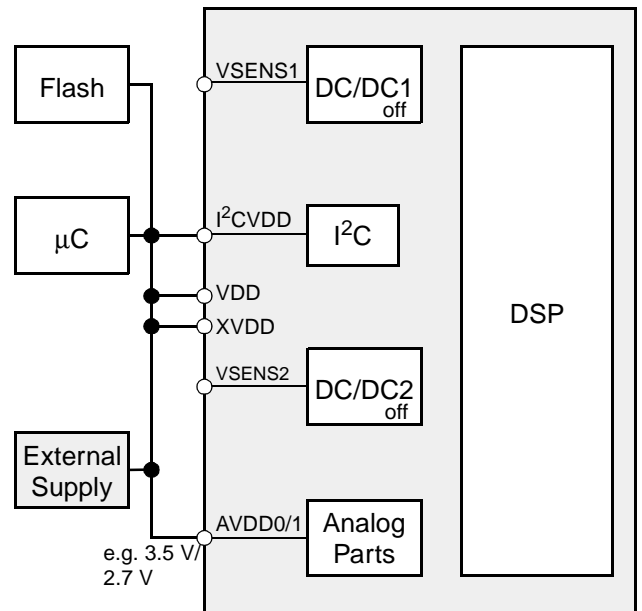


Fig. 2–9: Configuration2: External power supply

2.11. Interfaces

The MAS 3587F uses an I²C control interface, a parallel I/O interface (PIO) for MPEG bit streams and digital audio interfaces for the incoming/outgoing audio data (I²S or similar). Alternatively, SPDIF input and output interfaces can be used. MPEG bit stream input to the decoder is also possible via a second serial input interface.

2.11.1. I²C Control Interface

For controlling and program download purposes, a standard I²C slave interface is implemented. A detailed description of all functions can be found in Section 3.

2.11.2. S/PDIF Input Interface

The S/PDIF interface receives a one-wire serial bus signal. In addition to the signal input pin SPDI1/SPDI2, a reference pin SPDIFR is provided to support balanced signal sources or twisted pair transmission lines.

The synchronization time on the input signal is < 50 ms.

The SPDIF input signal can also be switched to the SPDO pin. In this case the analog input circuit of the SPDIF inputs (see Fig. 4–16 on page 57) restores the SPDIF input signal to a full swing signal at SPDO.

For controlling details please refer to Table 3–7 on page 34.

2.11.3. S/PDIF Output

The S/PDIF output of the baseband audio signals is provided at pin SPDO.

Note that the S/PDIF output is available only for MPEG 1 sampling frequencies (32, 44.1, 48 kHz).

2.11.4. Multiline Serial Audio Input (SDI, SDIB)

There are two multiline serial audio input interfaces (SDI, SDIB) each consisting of the three pins SIC, SII, SID, and SIBC, SIBI, SIBD. The firmware supports SDI for audio signals and SDIB for bitstream signals.

The interfaces can be configured as continuous bit stream or word-oriented inputs. For the MPEG bit-streams the word strobe pin SIBI must always be connected to V_{SS}, bits must be sent MSB first as created by the encoder. During enabling the DSP and its interfaces, it is strongly recommended to hold the SIBC Pin low.

In case of the Demand Mode in decoding applications (see Section 2.8.), the signal clock coming from the data source must be higher than the nominal data transmission rate (e.g. 128 kbit/s). Pin EOD is used to interrupt the data flow whenever the input buffer of the MAS 3587F is filled.

For controlling details please refer to Table 3–7 on page 34.

2.11.5. Multiline Serial Output (SDO)

The serial audio output interface of the MAS 3587F is a standard I²S-like interface consisting of the data lines SOD, the word strobe SOI and the clock signal SOC. It is possible to choose between two standard interface configurations (16-bit data words with word strobe time offset or 32-bit data words with inverted SOI-signal).

If the serial output generates 32 bits per audio sample, only the first 20 bits will carry valid audio data. The 12 trailing bits are set to zero by default.

2.11.6. Parallel Input/Output Interface (PIO)

The parallel interface of the MAS 3587F consists of the 8 data lines PI12...PI19 (MSB) and the control lines PCS, PR, PRTR, PRTW, and EOD. It can be used for data exchange with an external memory and for other special purposes as defined by the DSP software.

The PIO interface is always used for MPEG-data output. For the handshake protocol please refer to Section 4.6.3.7.

For MPEG-data input, the PIO interface is activated by setting bits 9,8 in D0:7f1 to 01. For the handshake protocol please refer to Section 4.6.3.6.

2.12. MPEG Synchronization Output

The signal at pin SYNC is set to '1' after the internal decoding for the MPEG header has been finished for one frame. The rising edge of this signal can be used as an interrupt input for the controller that triggers the read out of the control information and ancillary data. As soon as the MAS 3587F has received the SYNC reset command (see Section 3.3.1.12.), the SYNC signal is cleared. If the controller does not issue a reset command, the SYNC signal returns to '0' as soon as the decoding of the next MPEG frame is started. MPEG status and ancillary data become invalid until the frame is completely decoded and the signal at pin SYNC rises again. The controller must have finished reading all MPEG information before it becomes invalid. The MPEG Layer2/3 frame lengths are given in Table 2–2.

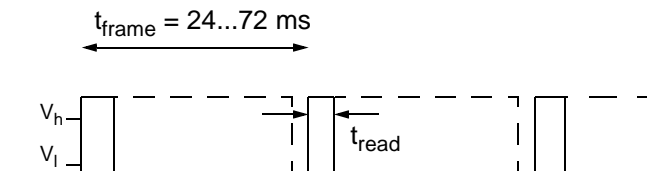


Fig. 2–10: Schematic timing of the signal at pin SYNC. The signal is cleared at t_{read} when the controller has issued a Clear SYNC Signal command (see Section 3.3.1.12.). If no command is issued, the signal returns to '0' just before the decoding of the next MPEG frame.

Table 2–2: Frame length in MPEG Layer 2/3

f_s /kHz	Frame Length Layer 2	Frame Length Layer 3
48	24 ms	24 ms
44.1	26.12 ms	26.12 ms
32	36 ms	36 ms
24	24 ms	24 ms
22.05	26.12 ms	26.12 ms
16	36 ms	36 ms
12	not available	48 ms
11.025	not available	52.24 ms
8	not available	72 ms

2.13. Default Operation

This sections refers to the standard operation mode "power-optimized solution" (see Section 2.9.3.).

2.13.1. Stand-by Functions

After applying the battery voltage, the system will remain stand-by, as long as the DCEN pin level is kept low. Due to the low stand-by current of CMOS circuits, the battery may remain connected to DCSON/VSENSn at all times.

2.13.2. Power-Up of the DC/DC Converters and Reset

The battery voltage must be applied to pin DCSON via the 22- μ H inductor and, furthermore, to the sense pin VSENSn via a Schottky diode (see Fig. 2–7 on page 12).

For start-up, the pin DCEN must be connected via an external "start" push button to the I2CVDD supply, which is equivalent to the battery supply voltage (> 0.9 V) at start-up.

The supply at DCEN must be applied until the DC/DC converters have started up (signal at pin PUP) and then removed for normal operation.

As soon as the output voltage at VSENSn reaches the default voltage monitor reset level of 3.0 V, the respective internal PUPn bit will be set. When both PUPn bits are set, the signal at pin PUP will go high and can be used to start and reset the microcontroller.

Before transmitting any I²C commands, the controller must issue a power-on reset to pin POR. The separate supply pin I2CVDD assures that the I²C interface works independently of the DSP or the audio codec. Now the desired supply voltage can be programmed at I²C subaddress 76_{hex} (see Table 3–3 on page 20).

The signal at pin PUP will return to low only when both PUPn flags (I²C subaddress 76_{hex}) have returned to zero. Care must be taken when changing both DC/DC output voltages to higher values. In this case, both output voltages are momentarily insufficient to keep the PUPn flags up; the resulting dip in the signal at the PUP pin may in turn reset the microcontroller. To avoid this condition, only one DC/DC output voltage should be changed at a time. Before modifying the second voltage, the microcontroller must wait for the PUPn flag of the first voltage to be set again.

The operating mode (pulse width modulation or pulse frequency modulation, synchronized rectifier for higher efficiency) are controlled at I²C subaddress 76_{hex}, the operating frequency at I²C subaddress 77_{hex}.

2.13.3. Control of the Signal Processing

Before starting the DSP, the controller should check for a sufficient voltage supply (respective flag PUPn at I²C subaddress 76_{hex}). The DSP is enabled by setting the appropriate bit in the Control register (I²C subaddress 6a_{hex}). The nominal frequency of the crystal oscillator must be written into D0:7f3. After an initialization phase of 5 ms, the DSP data registers can be accessed via I²C (see Table 3–3 on page 20).

Input and output control is performed via memory location D0:7f1 and D0:7f2. The parallel interface (PIO) is the default setting for compressed data. The decoded audio can be routed to either the SPDIF, the SDO and the analog outputs. The output clock signal at pin CLKO is defined in D0:7f4. The specific settings for audio encoding are written to memory location D0:7f0 (continued).

All changes in the D0-memory cells become effective synchronously upon setting the LSB of Main I/O Control (see Table 3–7 on page 34).

The common way to start encoding or decoding is to perform all necessary settings and switch on the application by selecting the desired bit(s) in the Application Selection memory cell (D0:7f6) (see Table 3–6 on page 33).

The digital volume control (see Table 3–7 on page 34) is applied to the output signal of the DSP. The decoded audio data is by default available at the SPDIF 1 output interface (for MPEG 1 sampling frequencies).

The DSP does not have to be started if its functions are not needed, e.g. for routing audio via the A/D and the D/A converters through the codec part of the IC.

2.13.4. Start-up of the Audio Codec (see Table 3–3 on page 20)

Before enabling the audio codec, the controller should check for a sufficient voltage supply (respective flag PUPn at I²C subaddress 76_{hex}).

The audio codec is enabled by setting the appropriate bit at the Control register (I²C subaddress 6a_{hex}). After an initialization phase of 5 ms, the DSP data registers can be accessed via I²C. The A/D and the D/A converters must be switched on explicitly (00 00_{hex} at I²C subaddress 6c_{hex}). The D/A converters may either accept data from the A/D converters or the output of the DSP, or a mix of both (register 00 06_{hex} and 00 07_{hex} at I²C subaddress 6c_{hex}). Finally, an appropriate output volume (00 10_{hex} at I²C subaddress 6c_{hex}) must be selected.

2.13.5. Power-Down (see Table 3–3 on page 20)

All analog outputs should be muted and the A/D and the D/A converters must be switched off (register 00 10_{hex} and 00 00_{hex} at I²C subaddress 6c_{hex}). The DSP and the audio codec must be disabled (clear DSP_EN and CODEC_EN bits in the Control register, I²C subaddress 6a_{hex}). By clearing both DC/DC enable flags in the Control register (I²C subaddress 6a_{hex}), the microcontroller can power down the complete system.

3. I²C Interface

3.1. General

3.1.1. Device Address

Controlling the MAS 3587F is done via an I²C slave interface. The device addresses are 3C/3E_{hex} (device write) and 3D/3F_{hex} (device read) as shown in Table 3–1. The device address pair 3C/3D_{hex} applies if the DVS pin is connected to VSS, the device address pair 3E/3F_{hex} applies if the DVS pin is connected to VDD.

Table 3–1: I²C device address

A7	A6	A5	A4	A3	A2	A1	W/R
0	0	1	1	1	1	DVS	0/1

I²C clock synchronization is used to slow down the interface if required.

3.1.2. I²C Registers and Subaddresses

The interface uses one level of subaddresses. The MAS 3587F interface has 7 subaddresses allocated for the corresponding I²C registers. The registers can be divided into three categories as shown in Table 3–2.

The address 6A_{hex} is used for basic control, i.e. reset and task select. The other addresses are used for data transfer from/to the MAS 3587F.

The I²C registers of the MAS 3587F are 16 bits wide, the MSB is denoted as bit[15]. Transmissions via I²C bus have to take place in 16-bit words (two byte transfers, MSB sent first); thus, for each register access, two 8-bit data words must be sent/received via I²C bus.

Table 3–2: I²C Subaddresses

Sub-address (hex)	I ² C-Register Name	Function
Direct Configuration		
6A	CONTROL	Controller writes to MAS 3587F control register
76	DCCF	Controller writes to first DC/DC configuration register
77	DCFR	Controller writes to second DC/DC config reg.
DSP Core Access		
68	DATA (WRITE)	Controller writes to MAS 3587F DSP
69	DATA (READ)	Controller reads from MAS 3587F DSP
Codec Access		
6C	CODEC (WRITE)	Controller writes to MAS 3587F codec register
6D	CODEC (READ)	Controller reads from MAS 3587F codec register

3.1.3. Naming Convention

The description of the various controller commands uses the following formalism:

– **Abbreviations** used in the following descriptions:

- a address
- d data value
- n count value
- o offset value
- r register number
- x don't care

– A data value is split into 4-bit nibbles which are numbered beginning with 0 for the least significant nibble.

– Data values in nibbles are always shown in hexadecimal notation.

– A hexadecimal 20-bit number **d** is written, e.g. as **d = 17C63_{hex}**, its five nibbles are **d0 = 3_{hex}**, **d1 = 6_{hex}**, **d2 = C_{hex}**, **d3 = 7_{hex}**, and **d4 = 1_{hex}**.

– **Variables** used in the following descriptions:

- I²C address:
 - DW 3C/3E_{hex}
 - DR 3D/3F_{hex}
- DSP core:
 - data_write 68_{hex}
 - data_read 69_{hex}
- Codec:
 - codec_write 6C_{hex}
 - codec_read 6D_{hex}

– **Bus signals**

- S Start
- P Stop
- A ACK = Acknowledge
- N NAK = Not acknowledge
- W Wait = I²C Clockline is held low, while the MAS 3587F is processing the I²C command

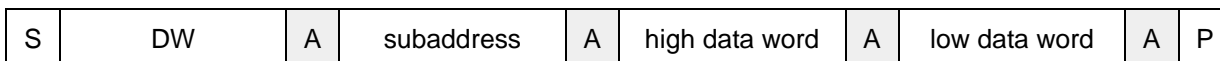
– **Symbols** in the telegram examples

- < Start Condition
 - > Stop
 - dd data bytes
 - xx ignore
- All telegram numbers are hexadecimal, data originating from the MAS 3587F are greyed.

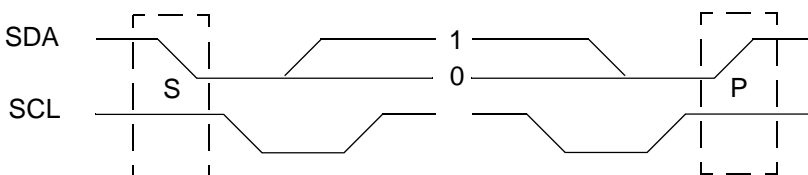
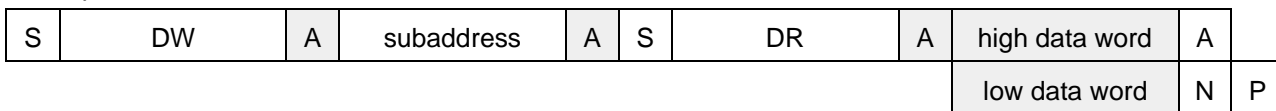
Example:
 <DW 68 dd dd> write data to DSP
 <DW 69 <DR dd dd> read data from DSP and stop with NAK

Fig. 3–1 shows I²C bus protocols for write and read operations of the interface; the read operations require an extra start condition and repetition of the chip address with the device read command (DR). Fields with signals/data originating from the MAS 3587F are marked by a gray background. Note that in some cases the data reading process must be concluded by a NAK condition.

Example: I²C write access



Example: I²C read access



- A = 0 (ACK)
- N = 1 (NAK)
- S = Start
- P = Stop

Fig. 3–1: Example of an I²C bus protocol for the MAS 3587F (MSB first; data must be stable while clock is high)

3.2. Direct Configuration Registers

The task selection of the DSP and the DC/DC converters are controlled in the direct configuration registers Control, DCCF, and DCFR.

3.2.1. Write Direct Configuration Registers

S	DW	A	subaddress	A	d3,d2	A	d1,d0	A	P
---	----	---	------------	---	-------	---	-------	---	---

The write protocol for the direct configuration registers only consists of device address, subaddress and one 16-bit data word.

3.2.2. Read Direct Configuration Register

1) send subaddress

S	DW	A	subaddress	A	P
---	----	---	------------	---	---

2) get register value

S	DW	A	subaddress	A	S	DR	A			
						d3,d2	A	d1,d0	N	P

To check the PUP1 and PUP2 power-up flags, it is necessary to read back the content of the direct configuration registers.

Table 3–3: Direct Configuration Registers

I ² C Sub-address (hex)	Function	Name															
6A	<p>Control Register (reset value = 3000_{hex})</p> <p>bit[15:14] Analog Supply Voltage Range</p> <table border="0"> <tr> <td>Code</td> <td>AGNDC</td> <td>recommended for voltage range of AVDD</td> </tr> <tr> <td>00</td> <td>1.1 V</td> <td>2.0 ... 2.4 V (reset)</td> </tr> <tr> <td>01</td> <td>1.3 V</td> <td>2.4 ... 3.0 V</td> </tr> <tr> <td>10</td> <td>1.6 V</td> <td>3.0 ... 3.6 V</td> </tr> <tr> <td>11</td> <td>reserved</td> <td>reserved</td> </tr> </table> <p>Higher voltage ranges permit higher output levels and thus a better signal-to-noise ratio.</p> <p>bit[13] enable DC/DC 2 (reset=1) bit[12] enable DC/DC 1 (reset=1)</p> <p>Both DC/DC converters are switched on by default.</p> <p>bit[11] enable and reset audio codec bit[10] enable and reset DSP core</p> <p>For normal operation (MPEG-decoding and D/A conversion), both, the DSP core and the audio codec have to be enabled after the power-up procedure. The DSP can be left off if an audio signal is routed from the analog inputs to the analog outputs (set bit[15] in codec register 00 0F_{hex}). The audio codec can be left off if the DSP uses digital inputs and outputs only.</p> <p>bit[9] reset codec bit[8] reset DSP core</p> <p>bit[7] ¹⁾ reserved, must be set to zero bit[6:0] reserved, must be set to zero</p>	Code	AGNDC	recommended for voltage range of AVDD	00	1.1 V	2.0 ... 2.4 V (reset)	01	1.3 V	2.4 ... 3.0 V	10	1.6 V	3.0 ... 3.6 V	11	reserved	reserved	CONTROL
Code	AGNDC	recommended for voltage range of AVDD															
00	1.1 V	2.0 ... 2.4 V (reset)															
01	1.3 V	2.4 ... 3.0 V															
10	1.6 V	3.0 ... 3.6 V															
11	reserved	reserved															
<p>¹⁾ usage in the next version: enable XTAL input clock divider (extended crystal range up to 28 MHz)</p>																	

Table 3–3: Direct Configuration Registers

I ² C Sub-address (hex)	Function	Name																																																																				
76	<p>DCCF Register (reset = 5050_{hex})</p> <hr/> <p>DC/DC Converter 2</p> <p>bit[15] PUP2: Voltage monitor 2 flag (readback)</p> <p>bit[14:11] Voltage between VSENS2 and DCSG2</p> <table border="1" data-bbox="475 600 1082 1149"> <thead> <tr> <th>Code</th> <th>Nominal output volt.</th> <th>set level of PUP2</th> <th>reset level of PUP2</th> </tr> </thead> <tbody> <tr><td>1111</td><td>3.5 V</td><td>3.4 V</td><td>3.3 V</td></tr> <tr><td>1110</td><td>3.4 V</td><td>3.3 V</td><td>3.2 V</td></tr> <tr><td>1101</td><td>3.3 V</td><td>3.2 V</td><td>3.1 V</td></tr> <tr><td>1100</td><td>3.2 V</td><td>3.1 V</td><td>3.0 V</td></tr> <tr><td>1011</td><td>3.1 V</td><td>3.0 V</td><td>2.9 V</td></tr> <tr><td>1010</td><td>3.0 V</td><td>2.9 V</td><td>2.8 V (reset)</td></tr> <tr><td>1001</td><td>2.9 V</td><td>2.8 V</td><td>2.7 V</td></tr> <tr><td>1000</td><td>2.8 V</td><td>2.7 V</td><td>2.6 V</td></tr> <tr><td>0111</td><td>2.7 V</td><td>2.6 V</td><td>2.5 V</td></tr> <tr><td>0110</td><td>2.6 V</td><td>2.5 V</td><td>2.4 V</td></tr> <tr><td>0101</td><td>2.5 V</td><td>2.4 V</td><td>2.3 V</td></tr> <tr><td>0100</td><td>2.4 V</td><td>2.3 V</td><td>2.2 V</td></tr> <tr><td>0011</td><td>2.3 V</td><td>2.2 V</td><td>2.1 V</td></tr> <tr><td>0010</td><td>2.2 V</td><td>2.1 V</td><td>2.0 V</td></tr> <tr><td>0001¹⁾</td><td>2.1 V</td><td>2.0 V</td><td>1.9 V</td></tr> <tr><td>0000¹⁾</td><td>2.0 V</td><td>1.9 V</td><td>1.8 V</td></tr> </tbody> </table> <p>bit[10] Mode 1 Pulse frequency modulation (PFM) 0 Pulse width modulation (PWM) (reset)</p> <p>bit[9] reserved, must be set to zero</p> <p>bit[8] Disable synchronized rectifier 1 disable synchronized recitifier 0 enable synchronized recitifier (reset)</p> <p>The DC/DC converters are up-converters only. Thus, if the battery voltage is higher than the selected nominal voltage, the output voltage will exceed the nominal voltage.</p> <p>¹⁾ refer to Section 4.6.2. on page 59</p>	Code	Nominal output volt.	set level of PUP2	reset level of PUP2	1111	3.5 V	3.4 V	3.3 V	1110	3.4 V	3.3 V	3.2 V	1101	3.3 V	3.2 V	3.1 V	1100	3.2 V	3.1 V	3.0 V	1011	3.1 V	3.0 V	2.9 V	1010	3.0 V	2.9 V	2.8 V (reset)	1001	2.9 V	2.8 V	2.7 V	1000	2.8 V	2.7 V	2.6 V	0111	2.7 V	2.6 V	2.5 V	0110	2.6 V	2.5 V	2.4 V	0101	2.5 V	2.4 V	2.3 V	0100	2.4 V	2.3 V	2.2 V	0011	2.3 V	2.2 V	2.1 V	0010	2.2 V	2.1 V	2.0 V	0001 ¹⁾	2.1 V	2.0 V	1.9 V	0000 ¹⁾	2.0 V	1.9 V	1.8 V	DCCF
Code	Nominal output volt.	set level of PUP2	reset level of PUP2																																																																			
1111	3.5 V	3.4 V	3.3 V																																																																			
1110	3.4 V	3.3 V	3.2 V																																																																			
1101	3.3 V	3.2 V	3.1 V																																																																			
1100	3.2 V	3.1 V	3.0 V																																																																			
1011	3.1 V	3.0 V	2.9 V																																																																			
1010	3.0 V	2.9 V	2.8 V (reset)																																																																			
1001	2.9 V	2.8 V	2.7 V																																																																			
1000	2.8 V	2.7 V	2.6 V																																																																			
0111	2.7 V	2.6 V	2.5 V																																																																			
0110	2.6 V	2.5 V	2.4 V																																																																			
0101	2.5 V	2.4 V	2.3 V																																																																			
0100	2.4 V	2.3 V	2.2 V																																																																			
0011	2.3 V	2.2 V	2.1 V																																																																			
0010	2.2 V	2.1 V	2.0 V																																																																			
0001 ¹⁾	2.1 V	2.0 V	1.9 V																																																																			
0000 ¹⁾	2.0 V	1.9 V	1.8 V																																																																			

Table 3–3: Direct Configuration Registers

I ² C Sub-address (hex)	Function	Name
76 (continued)	<p>DC/DC Converter 1</p> <p>bit[7] PUP1: Voltage monitor 1 flag (readback)</p> <p>bit[6:3] Voltage between VSENS1 and DCSG1 (see table above)</p> <p>bit[2] Mode</p> <p>1 Pulse frequency modulation (PFM)</p> <p>0 Pulse width modulation (PWM) (reset)</p> <p>bit[1] reserved, must be set to zero</p> <p>bit[0] Disable synchronized rectifier</p> <p>1 disable synchronized recitifier</p> <p>0 enable synchronized recitifier (reset)</p> <p>Note, that the reference voltage for DC/DC converter 1 is derived from the main reference source supplied via pin AVDD1. Therefore, if this DC/DC converter is used, its output must be connected to the analog supply.</p> <p>The DC/DC converters are up-converters only. Thus, if the battery voltage is higher than the selected nominal voltage, the output voltage will exceed the nominal voltage.</p>	

Table 3–3: Direct Configuration Registers

I ² C Sub-address (hex)	Function	Name																																																																																									
77	<p>DCFR Register (reset = 00_{hex})</p> <p>Battery Voltage Monitor</p> <p>bit[15] Comparison result (readback) 1 input voltage at pin VBAT above defined threshold 0 input voltage at pin VBAT below defined threshold</p> <p>bit[14] Number of battery cells 0 1 cell (range 0.8...1.5 V) (reset) 1 2 cells (range 1.6...3.0 V)</p> <p>bit[13:10] Voltage threshold level</p> <table border="1" data-bbox="319 750 861 974"> <thead> <tr> <th></th> <th>1 cell</th> <th>2 cells</th> </tr> </thead> <tbody> <tr> <td>1111</td> <td>1.5</td> <td>3.0 V</td> </tr> <tr> <td>1110</td> <td>1.45</td> <td>2.9 V</td> </tr> <tr> <td>...</td> <td></td> <td></td> </tr> <tr> <td>0010</td> <td>0.85</td> <td>1.7 V</td> </tr> <tr> <td>0001</td> <td>0.8</td> <td>1.6 V</td> </tr> <tr> <td>0000</td> <td colspan="2">Battery voltage supervision off (reset)</td> </tr> </tbody> </table> <p>bit[9:8] Reserved, must be set to 0</p> <p>The result is stable after 1 ms after enabling. The setup time for switching between two thresholds is negligibly small.</p> <p>For power management reasons, the battery voltage monitor should be switched off by setting bit[13:10] to zero when the measurement is completed.</p> <p>DC/DC Converter Frequency Control (PWM)</p> <p>bit[7:4] Reserved, must be set to 0</p> <p>bit[3:0] Frequency of DC/DC converter</p> <table border="1" data-bbox="319 1332 1061 1848"> <thead> <tr> <th></th> <th>Reference: 24.576</th> <th>22.5792</th> <th>18.432 MHz</th> </tr> </thead> <tbody> <tr> <td>0111</td> <td>315.1</td> <td>289.5</td> <td>297.3 kHz</td> </tr> <tr> <td>0110</td> <td>323.4</td> <td>297.1</td> <td>307.2 kHz</td> </tr> <tr> <td>0101</td> <td>332.1</td> <td>305.1</td> <td>317.8 kHz</td> </tr> <tr> <td>0100</td> <td>341.3</td> <td>313.6</td> <td>329.1 kHz</td> </tr> <tr> <td>0011</td> <td>351.1</td> <td>322.6</td> <td>341.3 kHz</td> </tr> <tr> <td>0010</td> <td>361.4</td> <td>332.0</td> <td>354.5 kHz</td> </tr> <tr> <td>0001</td> <td>372.4</td> <td>342.1</td> <td>368.6 kHz</td> </tr> <tr> <td>0000</td> <td>384.0</td> <td>352.8</td> <td>384.0 kHz (reset)</td> </tr> <tr> <td>1111</td> <td>396.4</td> <td>364.2</td> <td>400.7 kHz</td> </tr> <tr> <td>1110</td> <td>409.6</td> <td>376.3</td> <td>418.9 kHz</td> </tr> <tr> <td>1101</td> <td>423.7</td> <td>389.3</td> <td>438.9 kHz</td> </tr> <tr> <td>1100</td> <td>438.9</td> <td>403.2</td> <td>460.8 kHz</td> </tr> <tr> <td>1011</td> <td>455.1</td> <td>418.1</td> <td>485.1 kHz</td> </tr> <tr> <td>1010</td> <td>472.6</td> <td>434.2</td> <td>512.0 kHz</td> </tr> <tr> <td>1001</td> <td>491.5</td> <td>451.6</td> <td>542.1 kHz</td> </tr> <tr> <td>1000</td> <td>512.0</td> <td>470.4</td> <td>576.0 kHz</td> </tr> </tbody> </table> <p>If the audio codec is not enabled (bit 11 of the Control register at I²C-subaddress 6A_{hex} is zero), the clock for the DC/DC converters is directly derived from the crystal frequency (nominal 18.432 MHz). Otherwise, the synthesizer clock is used as the reference (please refer to the respective column in Table 2–1 on page 10).</p>		1 cell	2 cells	1111	1.5	3.0 V	1110	1.45	2.9 V	...			0010	0.85	1.7 V	0001	0.8	1.6 V	0000	Battery voltage supervision off (reset)			Reference: 24.576	22.5792	18.432 MHz	0111	315.1	289.5	297.3 kHz	0110	323.4	297.1	307.2 kHz	0101	332.1	305.1	317.8 kHz	0100	341.3	313.6	329.1 kHz	0011	351.1	322.6	341.3 kHz	0010	361.4	332.0	354.5 kHz	0001	372.4	342.1	368.6 kHz	0000	384.0	352.8	384.0 kHz (reset)	1111	396.4	364.2	400.7 kHz	1110	409.6	376.3	418.9 kHz	1101	423.7	389.3	438.9 kHz	1100	438.9	403.2	460.8 kHz	1011	455.1	418.1	485.1 kHz	1010	472.6	434.2	512.0 kHz	1001	491.5	451.6	542.1 kHz	1000	512.0	470.4	576.0 kHz	DCFR
	1 cell	2 cells																																																																																									
1111	1.5	3.0 V																																																																																									
1110	1.45	2.9 V																																																																																									
...																																																																																											
0010	0.85	1.7 V																																																																																									
0001	0.8	1.6 V																																																																																									
0000	Battery voltage supervision off (reset)																																																																																										
	Reference: 24.576	22.5792	18.432 MHz																																																																																								
0111	315.1	289.5	297.3 kHz																																																																																								
0110	323.4	297.1	307.2 kHz																																																																																								
0101	332.1	305.1	317.8 kHz																																																																																								
0100	341.3	313.6	329.1 kHz																																																																																								
0011	351.1	322.6	341.3 kHz																																																																																								
0010	361.4	332.0	354.5 kHz																																																																																								
0001	372.4	342.1	368.6 kHz																																																																																								
0000	384.0	352.8	384.0 kHz (reset)																																																																																								
1111	396.4	364.2	400.7 kHz																																																																																								
1110	409.6	376.3	418.9 kHz																																																																																								
1101	423.7	389.3	438.9 kHz																																																																																								
1100	438.9	403.2	460.8 kHz																																																																																								
1011	455.1	418.1	485.1 kHz																																																																																								
1010	472.6	434.2	512.0 kHz																																																																																								
1001	491.5	451.6	542.1 kHz																																																																																								
1000	512.0	470.4	576.0 kHz																																																																																								

3.3. DSP Core

The DSP Core of the MAS 3587F has two RAM banks denoted D0 and D1. The word size is 20 bits. All RAM addresses can be accessed in a 20-bit or a 16-bit mode via I²C bus. For fast access of internal DSP states, the processor core also has an address space of 256 data registers. All register and RAM addresses are given in hexadecimal notation.

3.3.1. Access Protocol

The access of the DSP Core in the MAS 3587F uses a special command syntax. The commands are executed by the DSP during its normal operation without any loss or interruption of the incoming data or outgoing audio data stream. These I²C commands allow the controller accessing the internal DSP registers and RAM cells and thus, monitoring internal states and setting the parameters for the DSP firmware. This access

also provides a download option for alternative software modules.

The MAS 3587F firmware scans the I²C interface periodically and checks for pending or new commands. However, due to some time critical firmware parts, a certain latency time for the response has to be expected. The theoretical worst case response time does not exceed 4 ms. However, the typical response time is less than 0.5 ms.

Table 3–4 gives an overview over the different commands which the DSP Core receives via the I²C data register. The “Code” is always the first data nibble transmitted after the “data_write” subaddress byte. A second auxiliary code nibble is used for the short memory (16-bit) access commands.

Due to the 16-bit width of the I²C data register, all actions transmit telegrams with multiples of 16 data bits.

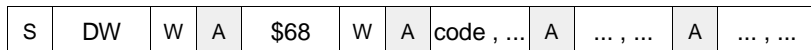


Fig. 3–2: General core access protocol

Table 3–4: Basic controller command codes

Code (hex)	Command	Function
0...3	Run	Start execution of an internal program. <i>Run</i> with start address 0 means freeze the operating system.
5	Read Ancillary Data	The controller reads a block of MPEG Ancillary Data from the MAS 3587F
6	Fast Program Download	The controller downloads custom software via the PIO interface
A	Read from Register	The controller reads an internal register of the MAS 3587F
B	Write to Register	The controller writes an internal register of the MAS 3587F
C	Read D0 Memory	The controller reads a block of the DSP memory
D	Read D1 Memory	The controller reads a block of the DSP memory
E	Write D0 Memory	The controller writes a block of the DSP memory
F	Write D1 Memory	The controller writes a block of the DSP memory

3.3.1.1. Run and Freeze

S	DW	W	A	\$68	W	A	a3,a2	A	a1,a0	W	A	P
---	----	---	---	------	---	---	-------	---	-------	---	---	---

The *Run* command causes the start of a program part at address $a = (a3,a2,a1,a0)$. Since nibble a3 is also the command code (see Table 3–4), it is restricted to values between 0 and 3.

If the start address is $1000_{hex} \leq a < 3FFF_{hex}$ and the respective RAM area has been configured as program RAM (see Table 3–5 on page 32), the MAS 3587F continues execution with a custom program already downloaded to this area.

Example 1: Start program execution at address 345_{hex} :

```
<DW 68 03 45>
```

Example 2: Start execution of a downloaded code at address 3000_{hex} :

```
<DW 68 30 00>
```

Freeze is a special run command with start address 0. It suspends all normal program execution. The operating system will enter an idle loop so that all registers and memory cells can be watched. This state is useful for operations like downloading code or contents of memory cells because the internal program cannot overwrite these values. This freezing will be required if alternative software is downloaded into the internal RAM of the MAS 3587F.

Freeze has the following I²C protocol:

```
<DW 68 00 00>
```

3.3.1.2. Read Register (Code A_{hex})

1) send command

S	DW	W	A	\$68	W	A	a,r1	A	r0,0	W	A	P
---	----	---	---	------	---	---	------	---	------	---	---	---

2) get register value

S	DW	W	A	\$68	W	A	S	DR	W	A				
				x,x	A	x,d4	W	A	d3,d2	A	d1,d0	W	N	P

Some registers ($r = r1,r0$ in the figure above) are direct control inputs for various hardware blocks, others control the internal program flow. In contrast to memory cells, registers cannot be accessed as a block but must always be addressed individually.

Example:

Read the content of the PIO data register (C8_{hex}):

```
<DW 68 ac 80>           define register
<DW 69 <DR xx xd dd dd> and read
```

3.3.1.3. Write Register (Code B_{hex})

S	DW	W	A	\$68	W	A	b,r1	A	r0,d4	W	A	
							d3,d2	A	d1,d0	W	A	P

The controller writes the 20-bit value (**d** = d4,d3,d2, d1,d0) into the MAS 3587F register (**r** = r1,r0).

Example: Writing the value 81234_{hex} into the register with the number AA_{hex}:

```
<DW 68 ba a8 12 34>
```

In Table 3–5 on page 32 the registers of interest with respect to the firmware are described in detail.

3.3.1.4. Read D0 Memory (Code C_{hex})

The MAS 3587F has 2 memory areas of 2048 words called D0 and D1 memory. Both memory areas have different read and write commands. All D0/D1 memory addresses are given in hexadecimal notation.

1) send command

S	DW	W	A	\$68	W	A	c,0	A	0,0	W	A	
							n3,n2	A	n1,n0	W	A	
							a3,a2	A	a1,a0	W	A	P

2) get memory value

S	DW	W	A	\$69	W	A	S	DR	W	A							
							x,x	A	x,d4	W	A	d3,d2	A	d1,d0	W	A	
...repeat for n data values...																	
							x,x	A	x,d4	W	A	d3,d2	A	d1,d0	W	N	P

The *Read D0 Memory* command gives the controller access to all 20 bits of D0 memory cells of the MAS 3587F. The telegram to read 3 words starting at location D0:100 is

```
<DW 68 c0 00 00 03 01 00>
<DW 69 <DR xx xd dd dd
          xx xd dd dd xx xd dd dd>
```

3.3.1.5. Short Read D0 Memory (Code C4_{hex})

Because most cells in the user interface are only 16 bits wide, it is faster and more convenient to access the memory locations with a special 16 bit mode for reading:

1) send command

S	DW	W	A	\$68	W	A	c,4	A	0,0	W	A	
							n3,n2	A	n1,n0	W	A	
							a3,a2	A	a1,a0	W	A	P

2) get memory value

S	DW	W	A	\$69	W	A	S	DR	W	A		
							d3,d2	A	d1,d0	W	A	
...repeat for n data values...												
							d3,d2	A	d1,d0	W	N	P

This command is similar to the normal 20 bit read command and uses the same command code C_{hex}, however it is followed by a 4_{hex} rather than a 0_{hex}.

3.3.1.6. Read D1 Memory (Code D_{hex})

1) send command

S	DW	W	A	\$68	W	A	d,0	A	0,0	W	A	
							n3,n2	A	n1,n0	W	A	
							a3,a2	A	a1,a0	W	A	P

2) get memory value

S	DW	W	A	\$69	W	A	S	DR	W	A							
							x,x	A	x,d4	W	A	d3,d2	A	d1,d0	W	A	
...repeat for n data values...																	
							x,x	A	x,d4	W	A	d3,d2	A	d1,d0	W	N	P

The *Read D1 Memory* command is provided to get information from D1 memory cells of the MAS 3587F.

3.3.1.7. Short Read D1 Memory (Code D_{hex})

1) send command

S	DW	W	A	\$68	W	A	d,4	A	0,0	W	A	
							n3,n2	A	n1,n0	W	A	
							a3,a2	A	a1,a0	W	A	P

2) get memory value

S	DW	W	A	\$69	W	A	S	DR	W	A	
							d3,d2	A	d1,d0	W	A

...repeat for n data values...

d3,d2	A	d1,d0	W	N	P
-------	---	-------	---	---	---

The *Short Read D1 Memory* command works similar to the *Read D1 Memory* command but with the code D_{hex} followed by a 4_{hex}.

Example: Read 16 bits of D1:123 has the following I²C protocol:

```
<DW 68 d4 00          read 16 bits from D1
    00 01             1 word to be read
    01 23             start address
    <DW 69 DR dd dd> start reading
```

3.3.1.8. Write D0 Memory (Code E_{hex})

S	DW	W	A	\$68	W	A	e,0	A	0,0	W	A
							n3,n2	A	n1,n0	W	A
							a3,a2	A	a1,a0	W	A
							0,0	A	0,d4	W	A
							d3,d2	A	d1,d0	W	A

...repeat for n data values...

0,0	A	0,d4	W	A	
d3,d2	A	d1,d0	W	A	P

With the *Write D0 Memory* command n 20-bit memory cells in D0 can be initialized with new data.

Example: Write 80234_{hex} to D0:456 has the following I²C protocol:

```
<DW 68 e0 00          write D1 memory
    00 01             1 word to write
    04 56             start address
    00 08             value = 80234hex
    02 34>
```

3.3.1.9. Short Write D0 Memory (Code E4_{hex})

S	DW	W	A	\$68	W	A	e,4	A	0,0	W	A
							n3,n2	A	n1,n0	W	A
							a3,a2	A	a1,a0	W	A
							d3,d2	A	d1,d0	W	A

...repeat for n data values...

d3,d2	A	d1,d0	W	A	P
-------	---	-------	---	---	---

For faster access only the lower 16 bits of each memory cell are accessed. The 4 MSBs of the cell are cleared.

3.3.1.10. Write D1 Memory (Code F_{hex})

S	DW	W	A	\$68	W	A	f,0	A	0,0	W	A
							n3,n2	A	n1,n0	W	A
							a3,a2	A	a1,a0	W	A
							0,0	A	0,d4	W	A
							d3,d2	A	d1,d0	W	A

...repeat for n data values...

0,0	A	0,d4	W	A	
d3,d2	A	d1,d0	W	A	P

For further details, see the *Write D0 Memory* command.

3.3.1.11. Short Write D1 Memory (Code F4_{hex})

S	DW	W	A	\$68	W	A	f,4	A	0,0	W	A
							n3,n2	A	n1,n0	W	A
							a3,a2	A	a1,a0	W	A
							d3,d2	A	d1,d0	W	A

...repeat for n data values...

d3,d2	A	d1,d0	W	A	P
-------	---	-------	---	---	---

Only the 16 lower bits of each memory cell are written, the upper 4 bits are cleared.

3.3.1.12. Clear SYNC Signal (Code 5_{hex})

S	DW	W	A	\$68	W	A	5,0	A	0,0	W	A	P
---	----	---	---	------	---	---	-----	---	-----	---	---	---

After the successful decoding of an MPEG frame the signal at pin SYNC rises and thus generates an interrupt event for the microcontroller. Issuing this command lets the signal at pin SYNC return to '0'.

3.3.1.13. Default Read

The *Default Read* command is the fastest way to get information from the MAS 3587F. Executing the *Default Read* in a polling loop can be used to detect a special state during decoding.

S	DW	W	A	\$69	W	A	S	DR	W	A			
								d3,d2	A	d1,d0	W	N	P

The *Default Read* command immediately returns the lower 16 bit content of a specific RAM location as defined by the pointer D0:ffb. The pointer must be loaded before the first *Default Read* action occurs. If the MSB of the pointer is set, the pointer refers to a memory location in D1 rather than to one in D0.

Example: For watching D1:123 the pointer D0:ffb must be loaded with 8123_{hex}:

```
<DW 68 e0 00          write to D0 memory
    00 01             1 word to write
    0f fb            start address ffb
    00 08            value = 8...
    01 23>          ...0123hex
```

Now *Default Read* commands can be issued as often as desired:

```
<DW 69 <DR          Default Read command
    dd dd>          16 bit content of the
                    address as defined by the
                    pointer
<DW 69 <DR dd dd>  ... and do it again
```

3.3.1.14. Fast Program Download

S	DW	W	A	\$69	W	A	6,n2	A	n1,n0	W	A	
							a3,a2	A	a1,a0	W	A	P

The *Fast Program Download* command introduces a data transfer via the parallel port. $n = n2, n1, n0$ denotes the number of 20-bit data words to be transferred, $a = a3, a2, a1, a0$ gives the start address. The data at the PIO port must be padded with three 0-nibbles to get multiples of 16 bits.

The download must be initiated in the following sequence:

- Issue *Freeze* command
- Stop all DMA transfers
- Issue *Fast Program Download* command
- Download code via PIO interface
- Switch appropriate memory area to act as program RAM (register ED_{hex})
- Issue *Run* command to start program execution at entry point of downloaded code

Example for *Fast Program Download* command:
Download 4 words starting at D0:1400:

(stop all data transfers)

```
<DW 68 00 00 00>      Freeze
<DW 68 60 04          initiate download of 4 words
  10 00>              start at address D0:1000
```

Now transfer 8-bit words via the parallel PIO port:

```
0,0 0,d4 d3,d2 d1,d0
0,0 0,d4 d3,d2 d1,d0
0,0 0,d4 d3,d2 d1,d0
0,0 0,d4 d3,d2 d1,d0

<DW 68 be d0 00 03>    reconfigure memory from
                        D0:1000 to D0:17ff

<DW 68 10 00>          start program execution at
                        address D0:1000
```

3.3.1.15. Serial Program Download

Program downloads may also be performed via the I²C interface by using the Write D0/1 Memory commands. A similar command sequence as in the Fast Program Download (stop transfers, *Freeze*...) applies.

3.3.2. List of DSP Registers

Table 3–5 lists the registers used in the standard firmware (MPEG) and for the download option (Download).

Note: Registers not given in the tables must not be written.

Table 3–5: DSP Register Table

Address (hex)	R/W	FunctionMode	Default (hex)	Name
6B	R/W	<p>Configuration of Variable RAM Areas Download</p> <p>Affected RAM area</p> <p>bit[19] D0:800 ... D0:BFF</p> <p>bit[18] D0:C00 ... D0:FFF</p> <p>bit[17] D1:800 ... D1:BFF</p> <p>bit[16] D1:C00 ... D1:FFF</p> <p>This register is used to switch four RAM areas from data to program usage and thus enabling the DSP's program counter to access downloaded program code stored at these locations. For normal operation (firmware in ROM) this register must be kept to zero.</p> <p>For details of program code download please refer to Section 3.3.1.14.</p>	0000	PSelect_Shadow
56	R	<p>S/PDIF¹⁾ Input Channel Status Bits MPEG</p> <p>bit[15:0] channel status bits of incoming signal.</p>	0000	SPICchannelStatus
<p>¹⁾ IEC 958 Amendment1, "Digital Audio Interface"</p>				

3.3.3. List of DSP Memory Cells

Among the user interface control memory cells there are some which have a global meaning and some which control application specific parts of the DSP core. In the tables below this is reflected by the key-words All, Encoder and Decoder.

3.3.3.1. Application Select and Running

The AppSelect cell is a global user interface configuration cell, which has to be written in order to start a specific application.

The AppRunning cell is a global user interface status cell, which indicates, which application loop is actually running.

The meaning of the bits in both cells is given in Table 3–6.

Following steps have to be performed to switch between applications:

- write "0" to AppSelect

- check AppRunning for "0"
- apply necessary/wanted Control settings
- write value to AppSelect according to Table 3–6

3.3.3.2. Application Specific Control

The configuration of the MPEG Encoder and Decoder firmware is done via the control memory cells described in Table 3–7. The changes applied to any of the control memory cells have to be validated by setting bit[0] of memory cell Main I/O Control except when the application is started by writing the AppSelect memory cell. The validate bit will be reset automatically after the changes have been taken over by the DSP.

The status memory cells are used to read the encoder/decoder status and to get additional MPEG bitstream information.

Note: Memory cells not given in the tables must not be written.

Table 3–6: Application Control and Status

Memory Address (hex)	Function	Name																								
D0:7f6	<p>Application Selection All</p> <p>AppSelect is used for selecting an application. This is done by setting the appropriate bit to one. It is principally allowed to set more than one bit to one, e.g. setting AppSelect to 0xc will select all MPEG audio decoders. The auto-detection feature will automatically detect the Layer 2 or Layer 3 data. When bit[0]/bit[1] are asserted, the DSP begins to loop inside the OS loop/Top Level loop respectively.</p> <p>It is recommended to perform the necessary settings for the firmware before the application is started by writing this memory cell.</p> <table border="0" style="width: 100%;"> <tr> <td style="width: 150px;">bit[6]</td> <td>MPEG Layer 3 Encoder</td> </tr> <tr> <td>bit[3]</td> <td>MPEG Layer 3 Decoder</td> </tr> <tr> <td>bit[2]</td> <td>MPEG Layer 2 Decoder</td> </tr> <tr> <td>bit[1]</td> <td>Top Level</td> </tr> <tr> <td>bit[0]</td> <td>Operating System</td> </tr> </table>	bit[6]	MPEG Layer 3 Encoder	bit[3]	MPEG Layer 3 Decoder	bit[2]	MPEG Layer 2 Decoder	bit[1]	Top Level	bit[0]	Operating System	AppSelect														
bit[6]	MPEG Layer 3 Encoder																									
bit[3]	MPEG Layer 3 Decoder																									
bit[2]	MPEG Layer 2 Decoder																									
bit[1]	Top Level																									
bit[0]	Operating System																									
D0:7f7	<p>Application Running All</p> <p>The AppRunning cell is a global user interface status cell, that indicates which application loop is actually running. After writing AppSelect, it has to be checked whether the appropriate bit(s) in the AppRunning cell is set, prior to any changes in the configuration registers or memory cells</p> <table border="0" style="width: 100%;"> <tr> <td style="width: 150px;">bit[6]</td> <td>MPEG Layer 3 Encoder</td> </tr> <tr> <td>bit[3]</td> <td>MPEG Layer 3 Decoder</td> </tr> <tr> <td>bit[2]</td> <td>MPEG Layer 2 Decoder</td> </tr> <tr> <td>bit[1]</td> <td>Top Level</td> </tr> <tr> <td>bit[0]</td> <td>Operating System</td> </tr> </table>	bit[6]	MPEG Layer 3 Encoder	bit[3]	MPEG Layer 3 Decoder	bit[2]	MPEG Layer 2 Decoder	bit[1]	Top Level	bit[0]	Operating System	AppRunning														
bit[6]	MPEG Layer 3 Encoder																									
bit[3]	MPEG Layer 3 Decoder																									
bit[2]	MPEG Layer 2 Decoder																									
bit[1]	Top Level																									
bit[0]	Operating System																									
D0:7f0	<p>Encoder Control (reset = a0264_{hex}) Encoder</p> <p>EncoderControl is used for selecting the quality level, sample frequency and other options for encoding.</p> <table border="0" style="width: 100%;"> <tr> <td style="width: 150px;">bit[19:17]</td> <td>Quality Setting</td> </tr> <tr> <td>000</td> <td>0 lowest bitrate / quality</td> </tr> <tr> <td>001</td> <td>1</td> </tr> <tr> <td>010</td> <td>2</td> </tr> <tr> <td>011</td> <td>3</td> </tr> <tr> <td>100</td> <td>4</td> </tr> <tr> <td>101 (reset)</td> <td>5 recommended quality</td> </tr> <tr> <td></td> <td>The maximum bitrate is limited to 192 kbit/s, whereas the average bitrate highly depends on the audio source. At the recommended quality setting and a sampling rate of 44.1 kHz, the average bitrate is typically found in the range from 130 to 140 kBit/s.</td> </tr> <tr> <td>110</td> <td>6</td> </tr> <tr> <td>111</td> <td>7 highest bitrate / quality</td> </tr> <tr> <td>bit[16:12]</td> <td>Reserved, must be set to zero</td> </tr> <tr> <td>...</td> <td></td> </tr> </table>	bit[19:17]	Quality Setting	000	0 lowest bitrate / quality	001	1	010	2	011	3	100	4	101 (reset)	5 recommended quality		The maximum bitrate is limited to 192 kbit/s, whereas the average bitrate highly depends on the audio source. At the recommended quality setting and a sampling rate of 44.1 kHz, the average bitrate is typically found in the range from 130 to 140 kBit/s.	110	6	111	7 highest bitrate / quality	bit[16:12]	Reserved, must be set to zero	...		EncoderControl
bit[19:17]	Quality Setting																									
000	0 lowest bitrate / quality																									
001	1																									
010	2																									
011	3																									
100	4																									
101 (reset)	5 recommended quality																									
	The maximum bitrate is limited to 192 kbit/s, whereas the average bitrate highly depends on the audio source. At the recommended quality setting and a sampling rate of 44.1 kHz, the average bitrate is typically found in the range from 130 to 140 kBit/s.																									
110	6																									
111	7 highest bitrate / quality																									
bit[16:12]	Reserved, must be set to zero																									
...																										

Table 3–7: D0 Control Memory Cells

Memory Address (hex)	Function	Name																																																			
D0:7f0 (continued)	<p>bit[11:10] Sampling Frequency (kHz)</p> <table border="0"> <tr> <td>00 (reset)</td> <td>MPEG 1</td> <td>MPEG 2</td> </tr> <tr> <td>01</td> <td>44.1</td> <td>22.05</td> </tr> <tr> <td>10</td> <td>48</td> <td>24</td> </tr> <tr> <td>11</td> <td>32</td> <td>16</td> </tr> <tr> <td></td> <td>reserved</td> <td></td> </tr> </table> <p>bit[9] MPEG Selection</p> <table border="0"> <tr> <td>0</td> <td>MPEG 2</td> </tr> <tr> <td>1 (reset)</td> <td>MPEG 1</td> </tr> </table> <p>Bit[11:9] are only evaluated for SDI audio input (selected in D0:7f1, bit[9:8]). In case of S/PDIF audio input, MPEG 1 is used and the sampling frequency is auto detected.</p> <p>bit[8] CRC protection</p> <table border="0"> <tr> <td>0 (reset)</td> <td>enable CRC protection</td> </tr> <tr> <td>1</td> <td>disable CRC protection</td> </tr> </table> <p>bit[7:6] Channel Mode</p> <table border="0"> <tr> <td>00</td> <td>reserved</td> </tr> <tr> <td>01 (reset)</td> <td>joint stereo</td> </tr> <tr> <td>10</td> <td>reserved</td> </tr> <tr> <td>11</td> <td>single channel</td> </tr> </table> <p>bit[5] Channel Mode Extension (for joint stereo)</p> <table border="0"> <tr> <td>0</td> <td>disable MS-Stereo encoding</td> </tr> <tr> <td>1 (reset)</td> <td>enable MS-Stereo encoding</td> </tr> </table> <p>bit[4] Reserved, must be set to zero</p> <p>bit[3] Copyright</p> <table border="0"> <tr> <td>0 (reset)</td> <td>bit stream is not copyright protected</td> </tr> <tr> <td>1</td> <td>bit stream is copyright protected</td> </tr> </table> <p>bit[2] Copy / Original</p> <table border="0"> <tr> <td>0</td> <td>bit stream is a copy</td> </tr> <tr> <td>1 (reset)</td> <td>bit stream is an original</td> </tr> </table> <p>bit[1:0] Emphasis</p> <table border="0"> <tr> <td>00 (reset)</td> <td>none</td> </tr> <tr> <td>01</td> <td>50/15 μs</td> </tr> <tr> <td>10</td> <td>reserved</td> </tr> <tr> <td>11</td> <td>CCITT J.17</td> </tr> </table>	00 (reset)	MPEG 1	MPEG 2	01	44.1	22.05	10	48	24	11	32	16		reserved		0	MPEG 2	1 (reset)	MPEG 1	0 (reset)	enable CRC protection	1	disable CRC protection	00	reserved	01 (reset)	joint stereo	10	reserved	11	single channel	0	disable MS-Stereo encoding	1 (reset)	enable MS-Stereo encoding	0 (reset)	bit stream is not copyright protected	1	bit stream is copyright protected	0	bit stream is a copy	1 (reset)	bit stream is an original	00 (reset)	none	01	50/15 μ s	10	reserved	11	CCITT J.17	
00 (reset)	MPEG 1	MPEG 2																																																			
01	44.1	22.05																																																			
10	48	24																																																			
11	32	16																																																			
	reserved																																																				
0	MPEG 2																																																				
1 (reset)	MPEG 1																																																				
0 (reset)	enable CRC protection																																																				
1	disable CRC protection																																																				
00	reserved																																																				
01 (reset)	joint stereo																																																				
10	reserved																																																				
11	single channel																																																				
0	disable MS-Stereo encoding																																																				
1 (reset)	enable MS-Stereo encoding																																																				
0 (reset)	bit stream is not copyright protected																																																				
1	bit stream is copyright protected																																																				
0	bit stream is a copy																																																				
1 (reset)	bit stream is an original																																																				
00 (reset)	none																																																				
01	50/15 μ s																																																				
10	reserved																																																				
11	CCITT J.17																																																				

Table 3–7: D0 Control Memory Cells

Memory Address (hex)	Function	Name
D0:7f1	<p>Main I/O Control (reset = 124_{hex}) All</p> <p>IOControlMain is used for selecting/deselecting the appropriate data input interface and for setting up the serial data output interface. In serial input mode the coded audio data (Layer 2, Layer 3) is expected at the serial input interface SDIB. In the 8-bit-parallel input mode (default) the PIO pins PI[19:12] are used.</p> <p>bit[15] Reserved, must be set to zero</p> <p>bit[14] Invert serial output clock (SOC) 0 (reset) do not invert SOC 1 invert SOC</p> <p>bit[13:12] Reserved, must be set to zero</p> <p>bit[11] Serial data output delay 0 (reset) no additional delay (reset) 1 additional delay of data related to word strobe</p> <p>bit[10] Reserved, must be set to zero</p> <p>bit[9:8] Encoder: Audio Input Select 00 SDI input with PLL 01 (reset) SDI input without PLL 10 S/PDIF input 11 reserved</p> <p>Decoder: Data Input Select 00 serial input at interface B 01 (reset) parallel input at PIO pins PI[19...12] 10 reserved 11 reserved</p> <p>bit[7] Encoder: Invert serial input clock (SIC) 0 (reset) do not invert SIC 1 invert SIC</p> <p>bit[6] Encoder: Serial data input delay 0 (reset) no additional delay (reset) 1 additional delay of data related to word strobe</p> <p>bit[5] SDO Word Strobe Invert 0 do not invert 1 (reset) invert outgoing word strobe signal</p> <p>bit[4] Bits per Sample at SDO 0 (reset) 32 bits/sample 1 16 bits/sample</p> <p>bit[3] Encoder: Clock setting 0 (reset) MPEG 1 1 MPEG 2</p> <p>bit[3] May only be set for MPEG 2 encoding.</p> <p>bit[2] Serial data input interface B clock invert (pin SIBC) 0 not inverted (data latched at rising clock edge) 1 (reset) incoming clock signal is inverted (data latched at falling clock edge)</p> <p>...</p>	IOControlMain

Table 3–7: D0 Control Memory Cells

Memory Address (hex)	Function	Name
D0:7f1 (continued)	<p>Main I/O Control, continued</p> <p>bit[1] Decoder:</p> <p>0 (reset) DEMAND MODE (PLL off, MAS 3587F is clock master)</p> <p>1 BROADCAST MODE (PLL on, clock of MAS 3587F locks on data stream)</p> <p>Encoder: SDI Word Strobe Invert</p> <p>0 (reset) do not invert</p> <p>1 invert incoming word strobe signal</p> <p>Note: L/R channel swap is present today with the reset value. Correct value for encoder is “1”. Correct default channel setting will be implemented in future versions.</p> <p>bit[0] Validate</p> <p>0 (reset) changes in control memory will be ignored</p> <p>1 changes in control memory will become effective</p> <p>Bit[0] is reset after the DSP has recognized the changes. The controller should set this bit after the other D0 control memory cells have been initialized with the desired values.</p>	
D0:7f2	<p>Interface Status Control (reset = 05_{hex})</p> <p style="text-align: right;">All</p> <p>This control cell allows to enable/disable the data I/O interfaces. In addition, the clock of the output data interfaces, S/PDIF and SDO, can be set to a low-impedance mode.</p> <p>bit[6] S/PDIF input selection</p> <p>0 (reset) select S/PDIF input 1</p> <p>1 select S/PDIF input 2</p> <p>bit[5] Enable/disable S/PDIF output</p> <p>0 (reset) enable S/PDIF output</p> <p>1 S/PDIF output off (tristate)</p> <p>Note that S/PDIF audio output is only available for MPEG 1 (sampling frequencies 32, 44.1 and 48 kHz)</p> <p>bit[4] Reserved, must be set to zero</p> <p>bit[3] Enable/disable serial data output SDO</p> <p>0 SDO on</p> <p>1 (reset) SDO off</p> <p>bit[2] Output clock characteristic (SDO and S/PDIF outputs)</p> <p>0 low impedance</p> <p>1 (reset) high impedance</p> <p>bit[1] reserved, must be set to zero</p> <p>bit[0] Enable/disable external serial data input SDI</p> <p>0 use external audio source (SDI)</p> <p>1 (reset) use internal A/D converter as audio source</p> <p>Both digital outputs, S/PDIF and SPO, and the D/A converters may use the outgoing audio independent of each other.</p> <p>Changes at this memory address must be validated by setting bit [0] of D0:7f1.</p>	InterfaceControl

Table 3–7: D0 Control Memory Cells

Memory Address (hex)	Function		Name
D0:7f3	Oscillator Frequency (reset = 18432 _{dec}) bit[19:0] oscillator frequency in kHz In order to achieve a correct internal operating frequency of the DSP, the nominal crystal frequency has to be deposited into this memory cell. Changes at this memory address must be validated by setting bit 0 of D0:7f1.	All	OfreqControl
D0:7f4	Output Clock Configuration (pin CLKO) (reset = 80000 _{hex}) bit[19] CLKO configuration 0 output clock signal at CLKO 1 (reset) CLKO is tristate The CLKO output pin of the MAS 3587F can be disabled via bit [19]. bit[18] Reserved, must be set to zero bit[17] Additional division by 2 if scaler is on (bit[8] cleared) 0 (reset) oversampling factor 512/768 1 oversampling factor 256/384 bit[16:9] Reserved, must be set to zero bit[8] Output clock scaler 0 (reset) set output clock according to audio sample rate (see Table 2–1) 1 output clock fixed at 24.576 or 22.5792 MHz For a list of output frequencies at pin CLKO please refer to Table 2–1. bit[7:0] reserved, must be set to zero Changes at this memory address must be validated by setting bit[0] of D0:7f1.	All	OutClkConfig
D0:7f8	S/PDIF¹⁾ channel status bits category code setting (reset = 8004 _{hex})	All	SpdOutBits
D0:7f9	Soft Mute (reset = 0 _{hex}) bit[19:0] 0 (reset) mute off 1 mute on	Decoder	SoftMute
D0:7fc	Volume output control: left → left gain (reset = 80000 _{hex})	Decoder	out_LL
D0:7fd	Volume output control: left → right gain (reset = 0 _{hex})	Decoder	out_LR
D0:7fe	Volume output control: right → left gain (reset = 0 _{hex})	Decoder	out_RL
D0:7ff	Volume control: right → right gain (reset = 80000 _{hex})	Decoder	out_RR
¹⁾ IEC 958 Amendment1, “Digital Audio Interface”			

Table 3–8: D0 Status Memory Cells

Memory Address	Function	Name
D0:FD0	<p>MPEG Frame Counter All</p> <p>bit[19:0] number of MPEG frames after synchronization</p> <p>The counter will be incremented with every new frame that is encoded/ decoded. With an invalid MPEG bit stream at its input while decoding (e.g. an invalid header is detected), the MAS 3587F resets the MPEGFrameCount to '0'. In encoding mode, the counter is reset on audio data timeouts and after restarting the encoder.</p>	MPEGFrameCount
D0:FD1	<p>MPEG Header and Status Information All</p> <p>bit[15] reserved, must be set to zero</p> <p>bit[14:13] MPEG ID, Bits 12, 11 of the MPEG header</p> <p> 00 MPEG 2.5 (decoding only)</p> <p> 01 reserved</p> <p> 10 MPEG 2</p> <p> 11 MPEG 1</p> <p>bit[12:11] Bits 14 and 13 of the MPEG header</p> <p> 00 reserved</p> <p> 01 Layer 3</p> <p> 10 Layer 2 (decoding only)</p> <p> 11 Layer 1 (decoding only)</p> <p>bit[10] CRC Protection</p> <p> 0 bitstream protected by CRC</p> <p> 1 bitstream not protected by CRC</p> <p>bit[9:2] Reserved</p> <p>bit[1] CRC error (decoding only)</p> <p> 0 no CRC error</p> <p> 1 CRC error</p> <p>bit[0] Invalid frame (decoding only)</p> <p> 0 no invalid frame</p> <p> 1 invalid frame</p> <p>This location contains bits 15...11 of the original MPEG header and other status bits. It will be set each frame directly after the header has been encoded/ decoded from the bit stream.</p>	MPEGStatus1

Table 3–8: D0 Status Memory Cells

Memory Address	Function	Name																																																																																																																																																			
D0:FD2	<p>MPEG Header Information All</p> <p>bit[15:12] MPEG Layer 2/3 Bitrate</p> <table border="0" style="width: 100%; border-collapse: collapse;"> <tr> <td style="width: 10%;"></td> <td style="width: 20%;"></td> <td style="width: 20%; text-align: center;">MPEG1, L2</td> <td style="width: 20%; text-align: center;">MPEG1, L3</td> <td style="width: 20%; text-align: center;">MPEG2, L2/3</td> </tr> <tr> <td>0000</td> <td>free</td> <td>free</td> <td>free</td> <td>free</td> </tr> <tr> <td>0001</td> <td>32</td> <td>32</td> <td>32</td> <td>8</td> </tr> <tr> <td>0010</td> <td>48</td> <td>40</td> <td>40</td> <td>16</td> </tr> <tr> <td>0011</td> <td>56</td> <td>48</td> <td>48</td> <td>24</td> </tr> <tr> <td>0100</td> <td>64</td> <td>56</td> <td>56</td> <td>32</td> </tr> <tr> <td>0101</td> <td>80</td> <td>64</td> <td>64</td> <td>40</td> </tr> <tr> <td>0110</td> <td>96</td> <td>80</td> <td>80</td> <td>48</td> </tr> <tr> <td>0111</td> <td>112</td> <td>96</td> <td>96</td> <td>56</td> </tr> <tr> <td>1000</td> <td>128</td> <td>112</td> <td>112</td> <td>64</td> </tr> <tr> <td>1001</td> <td>160</td> <td>128</td> <td>128</td> <td>80</td> </tr> <tr> <td>1010</td> <td>192</td> <td>160</td> <td>160</td> <td>96</td> </tr> <tr> <td>1011</td> <td>224</td> <td>192</td> <td>192</td> <td>112</td> </tr> <tr> <td>1100</td> <td>256</td> <td>224</td> <td>224</td> <td>128</td> </tr> <tr> <td>1101</td> <td>320</td> <td>256</td> <td>256</td> <td>144</td> </tr> <tr> <td>1110</td> <td>384</td> <td>320</td> <td>320</td> <td>160</td> </tr> <tr> <td>1111</td> <td>forbidden</td> <td>forbidden</td> <td>forbidden</td> <td>forbidden</td> </tr> </table> <p>bit[11:10] Sampling frequencies in Hz</p> <table border="0" style="width: 100%; border-collapse: collapse;"> <tr> <td style="width: 10%;"></td> <td style="width: 20%;"></td> <td style="width: 20%; text-align: center;">MPEG1</td> <td style="width: 20%; text-align: center;">MPEG2</td> <td style="width: 20%; text-align: center;">MPEG2.5</td> </tr> <tr> <td>00</td> <td>44100</td> <td>22050</td> <td>11025</td> <td>11025</td> </tr> <tr> <td>01</td> <td>48000</td> <td>24000</td> <td>12000</td> <td>12000</td> </tr> <tr> <td>10</td> <td>32000</td> <td>16000</td> <td>8000</td> <td>8000</td> </tr> <tr> <td>11</td> <td>reserved</td> <td>reserved</td> <td>reserved</td> <td>reserved</td> </tr> </table> <p>bit[9] Padding Bit</p> <p>bit[8] reserved</p> <p>bit[7:6] Mode</p> <table border="0" style="width: 100%; border-collapse: collapse;"> <tr> <td style="width: 10%;">00</td> <td>stereo</td> </tr> <tr> <td>01</td> <td>joint_stereo (intensity stereo / m/s stereo)</td> </tr> <tr> <td>10</td> <td>dual channel</td> </tr> <tr> <td>11</td> <td>single channel</td> </tr> </table> <p>bit[5:4] Mode extension (applies to joint stereo only)</p> <table border="0" style="width: 100%; border-collapse: collapse;"> <tr> <td style="width: 10%;"></td> <td style="width: 20%;"></td> <td style="width: 20%; text-align: center;">intensity stereo</td> <td style="width: 20%;"></td> <td style="width: 20%; text-align: center;">m/s stereo</td> </tr> <tr> <td>00</td> <td>off</td> <td>off</td> <td>off</td> <td>off</td> </tr> <tr> <td>01</td> <td>on</td> <td>off</td> <td>off</td> <td>off</td> </tr> <tr> <td>10</td> <td>off</td> <td>off</td> <td>on</td> <td>on</td> </tr> <tr> <td>11</td> <td>on</td> <td>on</td> <td>on</td> <td>on</td> </tr> </table> <p>bit[3] Copyright Protect Bit</p> <table border="0" style="width: 100%; border-collapse: collapse;"> <tr> <td style="width: 10%;">0/1</td> <td>not copyright protected/copyright protected</td> </tr> </table> <p>bit[2] Copy/Original Bit</p> <table border="0" style="width: 100%; border-collapse: collapse;"> <tr> <td style="width: 10%;">0/1</td> <td>bitstream is a copy/bitstream is an original</td> </tr> </table> <p>...</p>			MPEG1, L2	MPEG1, L3	MPEG2, L2/3	0000	free	free	free	free	0001	32	32	32	8	0010	48	40	40	16	0011	56	48	48	24	0100	64	56	56	32	0101	80	64	64	40	0110	96	80	80	48	0111	112	96	96	56	1000	128	112	112	64	1001	160	128	128	80	1010	192	160	160	96	1011	224	192	192	112	1100	256	224	224	128	1101	320	256	256	144	1110	384	320	320	160	1111	forbidden	forbidden	forbidden	forbidden			MPEG1	MPEG2	MPEG2.5	00	44100	22050	11025	11025	01	48000	24000	12000	12000	10	32000	16000	8000	8000	11	reserved	reserved	reserved	reserved	00	stereo	01	joint_stereo (intensity stereo / m/s stereo)	10	dual channel	11	single channel			intensity stereo		m/s stereo	00	off	off	off	off	01	on	off	off	off	10	off	off	on	on	11	on	on	on	on	0/1	not copyright protected/copyright protected	0/1	bitstream is a copy/bitstream is an original	MPEGStatus2
		MPEG1, L2	MPEG1, L3	MPEG2, L2/3																																																																																																																																																	
0000	free	free	free	free																																																																																																																																																	
0001	32	32	32	8																																																																																																																																																	
0010	48	40	40	16																																																																																																																																																	
0011	56	48	48	24																																																																																																																																																	
0100	64	56	56	32																																																																																																																																																	
0101	80	64	64	40																																																																																																																																																	
0110	96	80	80	48																																																																																																																																																	
0111	112	96	96	56																																																																																																																																																	
1000	128	112	112	64																																																																																																																																																	
1001	160	128	128	80																																																																																																																																																	
1010	192	160	160	96																																																																																																																																																	
1011	224	192	192	112																																																																																																																																																	
1100	256	224	224	128																																																																																																																																																	
1101	320	256	256	144																																																																																																																																																	
1110	384	320	320	160																																																																																																																																																	
1111	forbidden	forbidden	forbidden	forbidden																																																																																																																																																	
		MPEG1	MPEG2	MPEG2.5																																																																																																																																																	
00	44100	22050	11025	11025																																																																																																																																																	
01	48000	24000	12000	12000																																																																																																																																																	
10	32000	16000	8000	8000																																																																																																																																																	
11	reserved	reserved	reserved	reserved																																																																																																																																																	
00	stereo																																																																																																																																																				
01	joint_stereo (intensity stereo / m/s stereo)																																																																																																																																																				
10	dual channel																																																																																																																																																				
11	single channel																																																																																																																																																				
		intensity stereo		m/s stereo																																																																																																																																																	
00	off	off	off	off																																																																																																																																																	
01	on	off	off	off																																																																																																																																																	
10	off	off	on	on																																																																																																																																																	
11	on	on	on	on																																																																																																																																																	
0/1	not copyright protected/copyright protected																																																																																																																																																				
0/1	bitstream is a copy/bitstream is an original																																																																																																																																																				

Table 3–8: D0 Status Memory Cells

Memory Address	Function		Name
D0:FD2 (continued)	<p>MPEG Header Information, continued</p> <p>bit[1:0] Emphasis, indicates the type of emphasis</p> <p> 00 none</p> <p> 01 50/15 μs</p> <p> 10 reserved</p> <p> 11 CCITT J.17</p> <p>This memory cell contains the 16 LSBs of the MPEG header. It will be set directly after synchronizing to the bit stream.</p>		MPEGStatus2
D0:FD3	<p>MPEG CRC Error Counter</p> <p>The counter will be increased by each CRC error detected in the MPEG bis-stream. It will not be reset when losing the synchronization.</p>	Decoder	CRCErrCount
D0:FD4	<p>Number of Bits in Ancillary Data</p> <p>Number of valid ancillary bits in the current MPEG frame.</p>	Decoder	NumberOfAncillary-Bits
D0:FD5 ... D0:FF1	<p>Ancillary Data</p> <p>(see Section 3.3.4. on page 40).</p>	Decoder	AncillaryData

3.3.4. Ancillary Data

The memory fields D0:FD5...D0:ff1 contain the ancillary data. It is organized in 28 words of 16 bit each. The last ancillary bit of a frame is placed at bit 0 in D0:FD5. The position of the first ancillary data bit received can be located via the content of NumberOfAncillaryBits because

$$\text{int}[(\text{NumberOfAncillaryBits}-1)/16] + 1$$

of memory words are used.

Example:

First get the content of 'NumberOfAncillaryBits'

```
<DW 68 c4 00 00 01 0f d4>
<DW 69 <DR dd dd>
```

Assume that the MAS 3587F has received 19 ancillary data bits. Therefore, it is necessary to read two 16-bit words:

```
<DW 68 c4 00      Short Read from D0
          00 02 0f d5> read 2 words starting at D0:fd5
<DW 69 <DR dd dd
                  dd dd>
                  receive the 2 16-bit words
```

The first bit received from the MPEG source is at position 2 of D0:FD6; the last bit received is at the LSB of D0:fd5.

3.3.5. DSP Volume Control

The digital baseband volume matrix is used for controlling the digital gain of the decoder as shown in Fig. 3–3. This volume control is effective on both, the digital audio output and the data stream to the D/A converters. The values are in 20-bit 2's complement notation.

Table 3–9 shows the proposed settings for the 4 volume matrix coefficients for stereo, left and right mono. The gain factors are given in fixed point notation ($-1.0 \times 2^{19} = 80000_{\text{hex}}$).

The DSP volume control is available in Decoder Mode only.

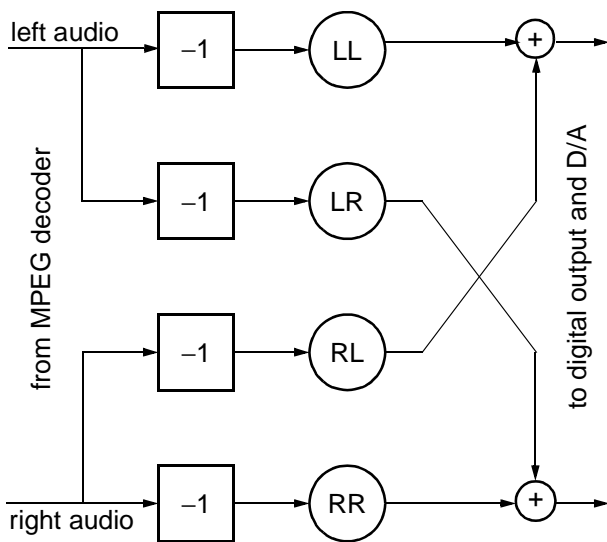


Fig. 3–3: Digital volume matrix

Table 3–9: Settings for the digital volume matrix

Memory	D0:354	D0:355	D0:356	D0:357
Name	LL	LR	RL	RR
Stereo (default)	-1.0	0	0	-1.0
Mono left	-1.0	-1.0	0	0
Mono right	0	0	-1.0	-1.0

If channels are mixed, care must be taken to prevent clipping at high amplitudes. Therefore the sum of the absolute values of coefficients for one output channel should be less than 1.0.

For normal operating conditions it is recommended to use the main volume control of the audio codec instead (register 00 10_{hex} of the audio codec).

Table 3–10: Content of D0:fd5 after reception of 19 ancillary bits.

D0:fd5	MSB	14	13	12	11	10	9	8	7	6	5	4	3	2	1	LSB
Ancillary Data	4th bit	5th bit	6th bit	17th bit	18th bit	last bit

Table 3–11: Content of D0:fd6 after reception of 19 ancillary bits.

D0:fd6	MSB	14	13	12	11	10	9	8	7	6	5	4	3	2	1	LSB
Ancillary Data	x	x	x	x	x	x	x	x	x	x	x	x	x	first bit	2nd bit	3rd bit

3.4. Audio Codec Access Protocol

The MAS 3587F has 16-bit wide registers for the control of the audio codec. These registers are accessed via the I²C subaddresses `codec_write` (6C_{hex}) and `codec_read` (6D_{hex}).

3.4.1. Write Codec Register

S	DW	W	A	\$6C	A	r3,r2	A	r1,r0	A	
						d3,d2	A	d1,d0	A	P

The controller writes the 16-bit value (**d** = d3,d2,d1,d0) into the MAS 3587F codec register (**r** = r3,r2,r1,r0). A list of registers is given in Table 3–12.

Example: Writing the value 1234_{hex} into the codec register with the number 00 1B_{hex}:

<DW 6c 00 1b 12 34>

3.4.2. Read Codec Register

1) send command

S	DW	W	A	\$6C	A	r3,r2	A	r1,r0	A	P
---	----	---	---	------	---	-------	---	-------	---	---

2) get register value

S	DW	W	A	\$6D	A	S	DR	W	A	
						d3,d2	A	d1,d0	N	P

Reading the codec registers also needs a set-up for the register address and an additional start condition during the actual read cycle. A list of registers is given in Table 3–13.

3.4.3. Codec Registers

Table 3–12: Codec control registers on I²C subaddress 6C_{hex}

Register Address (hex)	Function	Name																												
CONVERTER CONFIGURATION																														
00 00	<p>Audio Codec Configuration</p> <p>0 dB is related to the D/A full-scale output voltage (Please refer to Section 4.6.4. on page 72)</p> <p>bit[15:12] A/D converter left amplifier gain = n*1.5–3 [dB]</p> <p>bit[11:8] A/D converter right amplifier gain = n*1.5–3 [dB]</p> <table border="0"> <tr><td>1111</td><td>+19.5 dB</td></tr> <tr><td>1110</td><td>+18.0 dB</td></tr> <tr><td>...</td><td>...</td></tr> <tr><td>0011</td><td>+1.5 dB</td></tr> <tr><td>0010</td><td>0.0 dB</td></tr> <tr><td>0001</td><td>–1.5 dB</td></tr> <tr><td>0000</td><td>– 3.0 dB</td></tr> </table> <p>bit[7:4] Microphone amplifier gain = n*1.5+21 [dB]</p> <table border="0"> <tr><td>1111</td><td>+43.5 dB</td></tr> <tr><td>1110</td><td>+42.0 dB</td></tr> <tr><td>...</td><td>...</td></tr> <tr><td>0001</td><td>+22.5 dB</td></tr> <tr><td>0000</td><td>+21.0 dB</td></tr> </table> <p>bit[3] Input selection for left A/D converter channel</p> <table border="0"> <tr><td>0</td><td>line-in</td></tr> <tr><td>1</td><td>microphone</td></tr> </table> <p>bit[2] Enable left A/D converter¹⁾</p> <p>bit[1] Enable right A/D converter¹⁾</p> <p>bit[0] Enable D/A converter¹⁾</p> <p>¹⁾ The generation of the internal DC reference voltage for the D/A converter is also controlled with this bit. In order to avoid click noise, the reference voltage at pin AGNDC should have reached a near ground potential before repowering the D/A converter after a short down phase.</p> <p>Alternatively at least one of the A/D converters (bits [2] or [1]) should remain set during short power-down phases of the D/A. Then the DC reference voltage generation for the D/A converter will not be interrupted.</p>	1111	+19.5 dB	1110	+18.0 dB	0011	+1.5 dB	0010	0.0 dB	0001	–1.5 dB	0000	– 3.0 dB	1111	+43.5 dB	1110	+42.0 dB	0001	+22.5 dB	0000	+21.0 dB	0	line-in	1	microphone	CONV_CONF
1111	+19.5 dB																													
1110	+18.0 dB																													
...	...																													
0011	+1.5 dB																													
0010	0.0 dB																													
0001	–1.5 dB																													
0000	– 3.0 dB																													
1111	+43.5 dB																													
1110	+42.0 dB																													
...	...																													
0001	+22.5 dB																													
0000	+21.0 dB																													
0	line-in																													
1	microphone																													
INPUT MODE SELECT																														
00 08	<p>Input Mode Setting</p> <p>bit[15] Mono switch</p> <table border="0"> <tr><td>0</td><td>stereo input mode</td></tr> <tr><td>1</td><td>left channel is copied into the right channel</td></tr> </table> <p>bit[14:2] Reserved, must be set to 0</p> <p>bit[1:0] Deemphasis select</p> <table border="0"> <tr><td>0</td><td>deemphasis off</td></tr> <tr><td>1</td><td>deemphasis 50 μs</td></tr> <tr><td>2</td><td>deemphasis 75 μs</td></tr> </table>	0	stereo input mode	1	left channel is copied into the right channel	0	deemphasis off	1	deemphasis 50 μs	2	deemphasis 75 μs	ADC_IN_MODE																		
0	stereo input mode																													
1	left channel is copied into the right channel																													
0	deemphasis off																													
1	deemphasis 50 μs																													
2	deemphasis 75 μs																													

Table 3–12: Codec control registers on I²C subaddress 6C_{hex}

Register Address (hex)	Function	Name
OUTPUT MODE SELECT		
00 06	D/A Converter Source Mixer MIX ADC scale	DAC_IN_ADC
00 07	MIX DSP scale bit[15:8] 00 _{hex} ... 7F _{hex} Linear scaling factor (hex) for example: 00 _{hex} off 20 _{hex} 50 % (–6 dB gain) 40 _{hex} 100 % (0 dB gain) 7F _{hex} 200 % (+6 dB gain) In the sum of both mixing inputs exceeds 100 %, clipping may occur in the successive audio processing.	DAC_IN_DSP
00 0E	D/A Converter Output Mode bit[15] Mono switch 0 stereo through 1 mono matrix applied bit[14] Invert right channel 0 through 1 right channel is inverted bit[1:0] Reserved, must be set to 0 In order to achieve more output power a single loudspeaker can be connected as a bridge between pins OUTL and OUTR. In this mode bit[15] and bit[14] must be set.	DAC_OUT_MODE
BASEBAND FEATURES		
00 14	Bass bit[15:8] Bass range 60 _{hex} +12 dB 58 _{hex} +11 dB ... 08 _{hex} +1 dB 00 _{hex} 0 dB F8 _{hex} –1 dB ... A8 _{hex} –11 dB A0 _{hex} –12 dB Higher resolution is possible, one LSB step results in a gain step of about 1/8 dB. With positive bass settings clipping of the output signal may occur. Therefore, it is not recommended to set bass to a value that, in conjunction with volume, would result in an overall positive gain. The settings require: max (bass, treble) + loudness + volume ≤ 0 dB bit[7:0] Not used, must be set to 0	BASS

Table 3–12: Codec control registers on I²C subaddress 6C_{hex}

Register Address (hex)	Function	Name																		
00 15	<p>Treble</p> <p>bit[15:8] Treble range</p> <table> <tr><td>60_{hex}</td><td>+12 dB</td></tr> <tr><td>58_{hex}</td><td>+11 dB</td></tr> <tr><td>...</td><td></td></tr> <tr><td>08_{hex}</td><td>+1 dB</td></tr> <tr><td>00_{hex}</td><td>0 dB</td></tr> <tr><td>F8_{hex}</td><td>-1 dB</td></tr> <tr><td>...</td><td></td></tr> <tr><td>A8_{hex}</td><td>-11 dB</td></tr> <tr><td>A0_{hex}</td><td>-12 dB</td></tr> </table> <p>Higher resolution is possible, one LSB step results in a gain step of about 1/8 dB.</p> <p>With positive treble settings, clipping of the output signal may occur. Therefore, it is not recommended to set treble to a value that, in conjunction with loudness and volume, would result in an overall positive gain.</p> <p>The settings require: max (bass, treble) + loudness + volume ≤ 0 dB</p> <p>bit[7:0] Not used, must be set to 0</p>	60 _{hex}	+12 dB	58 _{hex}	+11 dB	...		08 _{hex}	+1 dB	00 _{hex}	0 dB	F8 _{hex}	-1 dB	...		A8 _{hex}	-11 dB	A0 _{hex}	-12 dB	TREBLE
60 _{hex}	+12 dB																			
58 _{hex}	+11 dB																			
...																				
08 _{hex}	+1 dB																			
00 _{hex}	0 dB																			
F8 _{hex}	-1 dB																			
...																				
A8 _{hex}	-11 dB																			
A0 _{hex}	-12 dB																			
00 1E	<p>Loudness</p> <p>bit[15:8] Loudness Gain</p> <table> <tr><td>44_{hex}</td><td>+17 dB</td></tr> <tr><td>40_{hex}</td><td>+16 dB</td></tr> <tr><td>...</td><td></td></tr> <tr><td>04_{hex}</td><td>+1 dB</td></tr> <tr><td>00_{hex}</td><td>0 dB</td></tr> </table> <p>bit[7:0] Loudness Mode</p> <table> <tr><td>00_{hex}</td><td>normal (constant volume at 1 kHz)</td></tr> <tr><td>04_{hex}</td><td>Super Bass (constant volume at 2 kHz)</td></tr> </table> <p>Higher resolution of Loudness Gain is possible: An LSB step results in a gain step of about 1/4 dB.</p> <p>Loudness increases the volume of low- and high-frequency signals, while keeping the amplitude of the 1-kHz reference frequency constant. The intended loudness has to be set according to the actual volume setting. Because loudness introduces gain, it is not recommended to set loudness to a value that, in conjunction with volume, would result in an overall positive gain.</p> <p>The settings should be: max (bass, treble) + loudness + volume ≤ 0 dB</p> <p>The corner frequency for bass amplification can be set to two different values. In Super Bass mode, the corner frequency is shifted up. The point of constant volume is shifted from 1 kHz to 2 kHz.</p>	44 _{hex}	+17 dB	40 _{hex}	+16 dB	...		04 _{hex}	+1 dB	00 _{hex}	0 dB	00 _{hex}	normal (constant volume at 1 kHz)	04 _{hex}	Super Bass (constant volume at 2 kHz)	LDNESS				
44 _{hex}	+17 dB																			
40 _{hex}	+16 dB																			
...																				
04 _{hex}	+1 dB																			
00 _{hex}	0 dB																			
00 _{hex}	normal (constant volume at 1 kHz)																			
04 _{hex}	Super Bass (constant volume at 2 kHz)																			

Table 3–12: Codec control registers on I²C subaddress 6C_{hex}

Register Address (hex)	Function	Name																				
VOLUME																						
00 10	<p>Volume Control</p> <p>bit[15:8] Volume table with 1 dB step size</p> <table> <tr><td>7F_{hex}</td><td>+12 dB (maximum volume)</td></tr> <tr><td>7E_{hex}</td><td>+11 dB</td></tr> <tr><td>...</td><td></td></tr> <tr><td>74_{hex}</td><td>+1 dB</td></tr> <tr><td>73_{hex}</td><td>0 dB</td></tr> <tr><td>72_{hex}</td><td>-1 dB</td></tr> <tr><td>...</td><td></td></tr> <tr><td>02_{hex}</td><td>-113 dB</td></tr> <tr><td>01_{hex}</td><td>-114 dB</td></tr> <tr><td>00_{hex}</td><td>mute (reset)</td></tr> </table> <p>bit[7:0] Not used, must be set to 0</p> <p>This main volume control is applied to the analog outputs only. It is split between a digital and an analog function. In order to avoid noise due to large changes of the setting, the actual setting is internally low-pass filtered.</p> <p>With large scale input signals, positive volume settings may lead to signal clipping.</p>	7F _{hex}	+12 dB (maximum volume)	7E _{hex}	+11 dB	...		74 _{hex}	+1 dB	73 _{hex}	0 dB	72 _{hex}	-1 dB	...		02 _{hex}	-113 dB	01 _{hex}	-114 dB	00 _{hex}	mute (reset)	VOLUME
7F _{hex}	+12 dB (maximum volume)																					
7E _{hex}	+11 dB																					
...																						
74 _{hex}	+1 dB																					
73 _{hex}	0 dB																					
72 _{hex}	-1 dB																					
...																						
02 _{hex}	-113 dB																					
01 _{hex}	-114 dB																					
00 _{hex}	mute (reset)																					
00 11	<p>Balance</p> <p>bit[15:8] Balance range</p> <table> <tr><td>7F_{hex}</td><td>left -127 dB, right 0 dB</td></tr> <tr><td>7E_{hex}</td><td>left -126 dB, right 0 dB</td></tr> <tr><td>...</td><td></td></tr> <tr><td>01_{hex}</td><td>left -1 dB, right 0 dB</td></tr> <tr><td>00_{hex}</td><td>left 0 dB, right 0 dB</td></tr> <tr><td>FF_{hex}</td><td>left 0 dB, right -1 dB</td></tr> <tr><td>...</td><td></td></tr> <tr><td>81_{hex}</td><td>left 0 dB, right -127 dB</td></tr> <tr><td>80_{hex}</td><td>left 0 dB, right -128 dB</td></tr> </table> <p>Positive balance settings reduce the left channel without affecting the right channel; negative settings reduce the right channel leaving the left channel unaffected.</p>	7F _{hex}	left -127 dB, right 0 dB	7E _{hex}	left -126 dB, right 0 dB	...		01 _{hex}	left -1 dB, right 0 dB	00 _{hex}	left 0 dB, right 0 dB	FF _{hex}	left 0 dB, right -1 dB	...		81 _{hex}	left 0 dB, right -127 dB	80 _{hex}	left 0 dB, right -128 dB	BALANCE		
7F _{hex}	left -127 dB, right 0 dB																					
7E _{hex}	left -126 dB, right 0 dB																					
...																						
01 _{hex}	left -1 dB, right 0 dB																					
00 _{hex}	left 0 dB, right 0 dB																					
FF _{hex}	left 0 dB, right -1 dB																					
...																						
81 _{hex}	left 0 dB, right -127 dB																					
80 _{hex}	left 0 dB, right -128 dB																					
00 12	<p>Automatic Volume Correction (AVC) Loudspeaker Channel</p> <p>bit[15:12] 0_{hex} AVC off (and reset internal variables) 8_{hex} AVC on</p> <p>bit[11:8] 8_{hex} 8 s decay time 4_{hex} 4 s decay time 2_{hex} 2 s decay time 1_{hex} 20 ms decay time (intended for quick adaptation to the average volume level after track or source change)</p> <p>Note: To reset the internal variables, the AVC should be switched off and then on again during any track or source change. For standard applications, the recommended decay time is 4 s.</p>	AVC																				

Table 3–13: Codec status registers on I²C subaddress 6D_{hex}

Register Address (hex)	Function	Name
INPUT QUASI-PEAK		
00 0A	A/D Converter Quasi-Peak Detector Readout Left bit[14:0] positive 15-bit value, linear scale 0000 0% 2000 25% (–12 dBFS) 4000 50% (–6 dBFS) 7FFF 100% (0 dBFS)	QPEAK_L
00 0B	A/D Converter Quasi-Peak Detector Readout Right bit[14:0] positive 15-bit value, linear scale 0000 0% 2000 25% (–12 dBFS) 4000 50% (–6 dBFS) 7FFF 100% (0 dBFS)	QPEAK_R
OUTPUT QUASI-PEAK		
00 0C	Audio Processing Input Quasi-Peak Detector Readout Left bit[14:0] positive 15-bit value, linear scale	DQPEAK_L
00 0D	Audio Processing Input Quasi-Peak Detector Readout Right bit[14:0] positive 15-bit value, linear scale	DQPEAK_R

3.4.4. Basic MDB Configuration

With the parameters described in Table 3–12, the Micronas Dynamic Bass system (MDB) can be customized to create different bass effects as well as to fit the MDB to various loudspeaker characteristics. The easiest way to find a good set of parameter is by selecting one of the settings below, listening to music with strong bass content and adjusting the MDB parameters:

- MDB_STR: Increase/decrease the strength of the MDB effect
- MDB_HAR: Increase/decrease the content of low frequency harmonics
- MDB_FC: Shift the MDB effect to lower/higher frequencies
- MDB_SHAPE: Widen/narrow MDB frequency range (which results in a softer/harder bass sound), turn on/off the MDB

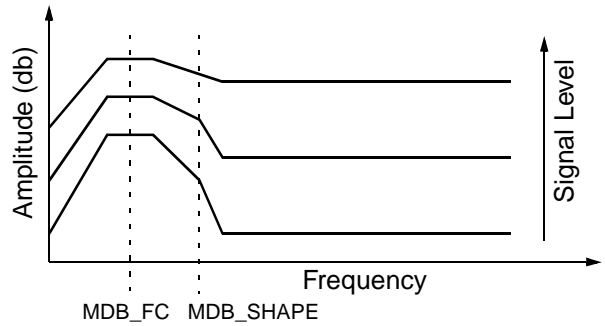


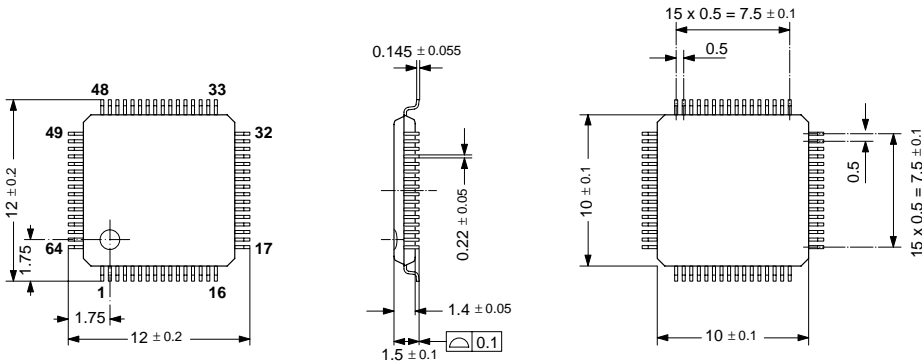
Fig. 3–4: Micronas Dynamic Bass (MDB): Bass boost in relation to input signal leve

Table 3–14: Suggested MDB settings

Function	MDB_STR (22 _{hex})	MDB_HAR (23 _{hex})	MDB_FC (24 _{hex})	MDB_SHAPE (21 _{hex})
MDB off	XXXX _{hex}	XXXX _{hex}	XXXX _{hex}	0000 _{hex}
Low end headphones, medium effect	5000 _{hex}	3000 _{hex}	0600 _{hex}	0902 _{hex}

4. Specifications

4.1. Outline Dimensions



D0025/3E

Fig. 4-1:
64-Pin Plastic Low-Profile Quad Flat Pack
(PLQFP64)

Weight approximately 0.35 g
Dimensions in mm

4.2. Pin Connections and Short Descriptions

- NC not connected, leave vacant
- LV If not used, leave vacant
- X obligatory, pin must be connected as described in application information (see Fig. 4-30 on page 79)
- VDD connect to positive supply
- VSS connect to ground

Pin No. PLQFP 64-pin	Pin Name	Type	Default Connection (if not used)	Short Description
1	AGND		X	Analog reference voltage
2	MICIN	IN	LV	Input for internal microphone amplifier
3	MICBI	IN	LV	Bias for internal microphone
4	INL	IN	LV	Left A/D input
5	INR	IN	LV	Right A/D input
6	TE	IN	X	Test enable
7	XTI	IN	X	Crystal oscillator (ext. clock) input
8	XTO	OUT	LV	Crystal oscillator output
9	$\overline{\text{POR}}$	IN	X	Power on reset, active low
10	VSS	SUPPLY	X	DSP supply ground
11	XVSS	SUPPLY	X	Digital output supply ground
12	VDD	SUPPLY	X	DSP supply

Pin No. PLQFP 64-pin	Pin Name	Type	Default Connection (if not used)	Short Description
13	XVDD	SUPPLY	X	Digital output supply
14	I2CVDD	SUPPLY	X	I ² C supply
15	DVS	IN	X	I ² C device address selector
16	VSENS1	IN/OUT	VDD	Sense input and power output of DC/DC 1 converter
17	DCSO1	SUPPLY	LV	DC/DC 1 switch output
18	DCSG1	SUPPLY	VSS	DC/DC 1 switch ground
19	DCSG2	SUPPLY	VSS	DC/DC 2 switch ground
20	DCSO2	SUPPLY	LV	DC/DC 2 switch output
21	VSENS2	IN/OUT	VDD	Sense input and power output of DC/DC 2 converter
22	DCEN	IN	VSS	DC/DC enable (both converters)
23	CLKO	OUT	LV	Clock output
24	I2CC	IN/OUT	X	I ² C clock
25	I2CD	IN/OUT	X	I ² C data
26	SYNC	OUT	LV	Sync output
27	VBAT	IN	LV	Battery voltage monitor input
28	PUP	OUT	LV	DC Converter Power-Up Signal
29	$\overline{\text{EOD}}$	OUT	LV	PIO end of DMA, active low
30	$\overline{\text{PRTR}}$	OUT	LV	PIO ready to read, active low
31	$\overline{\text{PRTW}}$	OUT	LV	PIO ready to write, active low
32	PR	IN	VDD	PIO DMA request, active high
33	$\overline{\text{PCS}}$	IN	VSS	PIO chip select, active low
34	PI19	IN/OUT	LV	PIO data bit 7 (MSB)
35	PI18	IN/OUT	LV	PIO data bit 6
36	PI17	IN/OUT	LV	PIO data bit 5
37	PI16	IN/OUT	LV	PIO data bit 4
38	PI15	IN/OUT	LV	PIO data bit 3
39	PI14	IN/OUT	LV	PIO data bit 2
40	PI13	IN/OUT	LV	PIO data bit 1
41	PI12	IN/OUT	LV	PIO data bit 0 (LSB)
42	SOD	OUT	LV	Serial output data

Pin No. PLQFP 64-pin	Pin Name	Type	Default Connection (if not used)	Short Description
43	SOI	OUT	LV	Serial output frame identification
44	SOC	OUT	LV	Serial output clock
45	SID	IN	VSS	Serial input data, interface A
46	SII	IN	VSS	Serial input frame identification, interface A
47	SIC	IN	VSS	Serial input clock, interface A
48	SPDO	OUT	LV	S/PDIF output interface
49	SIBD	IN	VSS	Serial input data, interface B
50	SIBC	IN	VSS	Serial input clock, interface B
51	SIBI	IN	VSS	Serial input frame identification, interface B
52	SPDI2	IN	LV	Active differential S/PDIF input 2
53	SPDI1	IN	LV	Active differential S/PDIF input 1
54	SPDIR	IN	LV	Reference differential S/PDIF input 1 and 2
55	FILTL	IN	X	Feedback input for left amplifier
56	AVDD0	SUPPLY	X	Analog supply for output amplifiers
57	OUTL	OUT	LV	Left analog output
58	OUTR	OUT	LV	Right analog output
59	AVSS0	SUPPLY	X	Analog ground for output amplifiers
60	FILTR	IN	X	Feedback for right output amplifier
61	AVSS1	SUPPLY	X	Analog ground
62	VREF		X	Analog reference ground
63	PVDD	SUPPLY	X	Internal power supply
64	AVDD1	SUPPLY	X	Analog Supply

4.3. Pin Descriptions

4.3.1. Power Supply Pins

The use of all power supply pins is mandatory to achieve correct function of the MAS 3587F.

VDD, VSS **SUPPLY**
Digital supply pins.

XVDD, XVSS **SUPPLY**
Supply for digital output pins.

I2CVDD **SUPPLY**
Supply for I²C interface circuitry. This net uses VSS or XVSS as the ground return line.

PVDD **SUPPLY**
Auxiliary pin for analog circuitry. This pin has to be connected via a 3-nF capacitor to AVDD1. Extra care should be taken to achieve a low inductance PCB line.

AVDD0/AVSS0 **SUPPLY**
Supply for analog output amplifier (output stage).

AVDD1/AVSS1 **SUPPLY**
Supply for internal analog circuits (A/D, D/A converters, clock, PLL, S/PDIF input).

AVDD0/AVSS0 and AVDD1/AVSS1 should receive the same supply voltages.

4.3.2. Analog Reference Pins

AGNDC
Internal analog reference voltage. This pin serves as the internal ground connection for the analog circuitry.

VREF
Analog reference ground. All analog inputs and outputs should drive their return currents using separate traces to a ground starpoint close to this pin. Connect to AVSS1. This reference pin should be as noise free as possible.

4.3.3. DC/DC Converters and Battery Voltage Supervision

DCSG1/DCSG2 **SUPPLY**
DC/DC converters switch ground. Connect using separate wide trace to negative pole of battery cell. Connect also to AVSS0/1 and VSS/XVSS.

DCSO1/DCSO2 **SUPPLY**
DC/DC converter switch connection. If the respective DC/DC converter is not used, this pin must be left vacant.

VSENS1/VSENS2 **IN**
Sense input and power output of DC/DC converters. If the respective DC/DC converter is not used, this pin should be connected to a supply.

DCEN **IN**
Enable signal for both DC/DC converters. If none of the DC/DC converters is used, this pin must be connected to VSS.

PUP **OUT**
Power-up. This signal is set when the required voltages are available at both DC/DC converter output pins VSENS1 and VSENS2. The signal is cleared when both voltages have dropped below the reset level in the DCCF Register.

VBAT **IN**
Analog input for battery voltage supervision.

4.3.4. Oscillator Pins and Clocking

XTI **IN**
XTO **OUT**
The XTI pin is connected to the input of the internal crystal oscillator, the XTO pin to its output. Each pin should be directly connected to the crystal and to a ground-connected capacitor (see application diagram).

CLKO **OUT**
The CLKO can drive an output clock line.

4.3.5. Control Lines

I2CC **SCL** **IN/OUT**
I2CD **SDA** **IN/OUT**
Standard I²C control lines.

DVS **IN**
I²C device address selector. Connect this pin either to VDD (I²C device address: 3E/3F_{hex}) or VSS (I²C device address: 3C/3D_{hex}) to select a proper I²C device address (see also Table 3–1 on page 17).

4.3.6. Parallel Interface Lines

PI12..PI19 **IN/OUT**
The PIO input pins PI12..PI19 are used as 8-bit I/O interface to a microcontroller in order to transfer compressed and uncompressed data. PI12 is the LSB, PI19 the MSB.

4.3.6.1. PIO Handshake Lines

\overline{PCS} **IN**
 The PIO chip select \overline{PCS} must be set to '0' to activate the PIO in operation mode.

PR **IN**
 Pin PR must be set to '1' when ready to send/receive data to/from MAS 3587F PIO pins.

\overline{PRTR} **OUT**
 Ready to read. This signal indicates that the MAS 3587F is able to receive data in PIO input mode.

\overline{PRTW} **OUT**
 Ready to write. This pin indicates that MAS 3587F has data available in PIO output mode.

\overline{EOD} **OUT**
 \overline{EOD} indicates the end of an DMA cycle in the IC's PIO input/output mode. In 'serial' input mode it is used as Demand signal, that indicates that new input data are required.

4.3.7. Serial Input Interface (SDI)

SID	DATA	IN
SII	WORD STROBE	IN
SIC	CLOCK	IN

I²S compatible serial interface A for digital audio data. This interface can be used for audio input in the encoder.

4.3.8. Serial Input Interface B (SDIB)

SIBD	DATA	IN
SIBI	WORD STROBE	IN
SIBC	CLOCK	IN

The serial interface B is used as bitstream input interface. The SIBI line must be connected to VSS in the serial decoder application.

4.3.9. Serial Output Interface (SDO)

SOD	DATA	OUT
SOI	WORD STROBE	OUT
SOC	CLOCK	IN/OUT

Data, Frame Indication, and Clock line of the serial output interface. The SDO is reconfigurable and can be adapted to several I²S compliant modes.

4.3.10. S/PDIF Input Interface

SPDI1	IN
SPDI2	IN
SPDIR	IN

SPDIF1 and SPDIF2 are alternative input pins for S/PDIF sources according to the IEC 958 consumer specification. A switch at D0:7f2 selects one of these pins at a time. The SPDIR pin is a common reference for both input lines (see Fig. 4–31 on page 80).

4.3.11. S/PDIF Output Interface

SPDO **OUT**
 The SPDO pin provides an digital output with standard CMOS level that is compliant to the IEC 958 consumer specification.

4.3.12. Analog Input Interfaces

The analog inputs are used in the standard MPEG encoding DSP firmware. They can also be selected as a source for the D/A converters (refer to audio codec register 00 07_{hex} (see Table 3–12 on page 43)).

MICIN	IN
MICBI	IN

The MICIN input may be directly used as electret microphone input, which should be connected as described in application information. The MICBI signal provides the supply voltage for these microphones.

INL	IN
INR	IN

INL and INR are analog line-in input lines. They are connected to the embedded stereo A/D converter of the MAS 3587F. The sources should be AC coupled. The reference ground for these analog input pins is the VREF pin.

4.3.13. Analog Output Interfaces

OUTL	OUT
OUTR	OUT

OUTL and OUTR are left and right analog outputs, that may be directly connected to built-in 16 Ω loudspeakers via 22 Ω series resistance to the headphones as described in the application information (see Fig. 4–30 on page 79).

FILTL	IN
FILTR	IN

Connection to input terminal of output amplifier. Can be used to connect a capacitance from OUTL respectively OUTR to FILTL respectively FILTR in parallel to feedback resistor and thus implement a low pass filter to reduce the out-of-band noise of the DAC.

4.3.14. Miscellaneous

SYNC **OUT**

The SYNC signal indicates the detection of a frame start in the input data of MAS 3587F. Usually this signal generates an interrupt in the controller.

POR **IN**

The Power-On Reset pin is used to reset the whole MAS 3587F, except for the DC/DC converter circuitry. $\overline{\text{POR}}$ is an active-low signal.

TE **IN**

The TE pin is for production test only and must be connected with VSS in all applications.

4.4. Pin Configurations

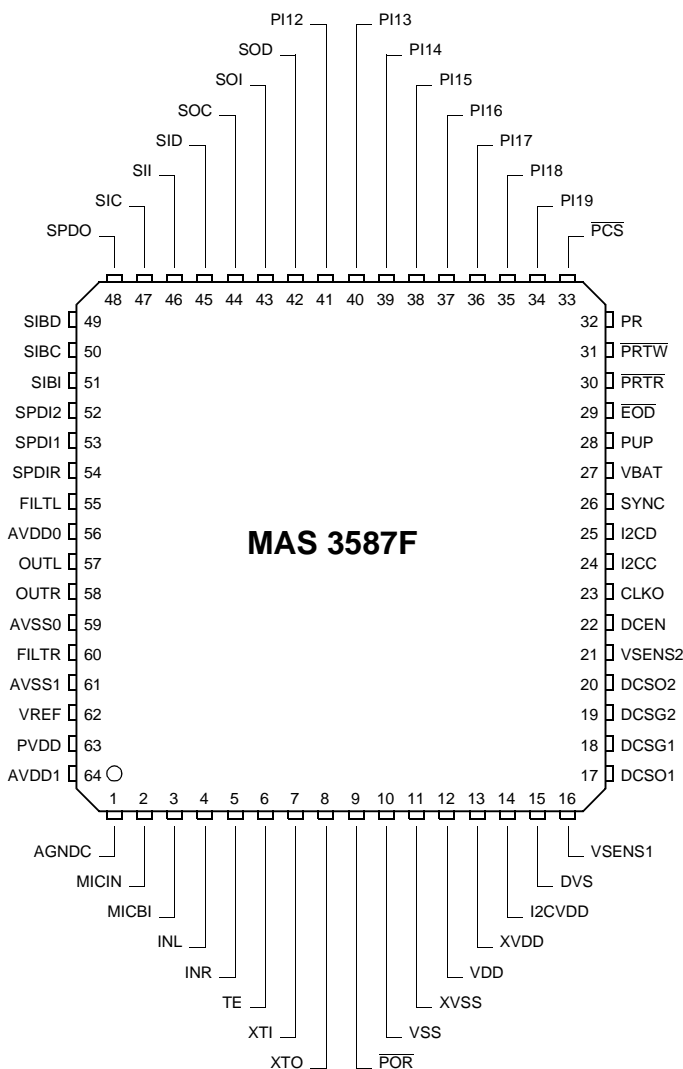


Fig. 4–2: PLQFP64 package (Top view)

4.5. Internal Pin Circuits

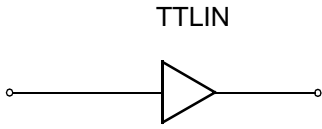


Fig. 4-3: Input pins \overline{PCS} , PR

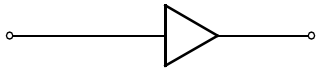


Fig. 4-4: Input pin TE, DVS, \overline{POR}

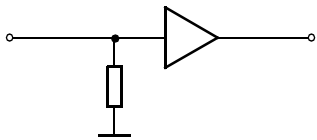


Fig. 4-5: Input pin DCEN

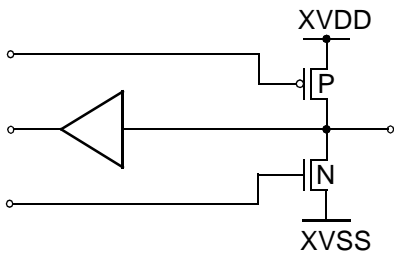


Fig. 4-6: Input/output pins SOC, SOI, SOD, PI12...PI19, SPDO

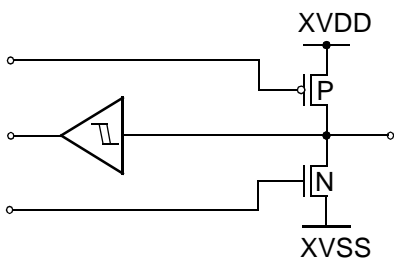


Fig. 4-7: Input pins SI(B)C, SI(B)I, SI(B)D

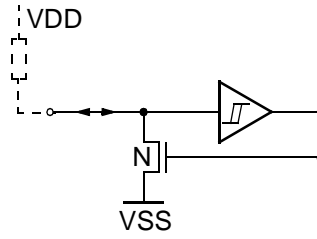


Fig. 4-8: Input/output pins I2CC, I2CD

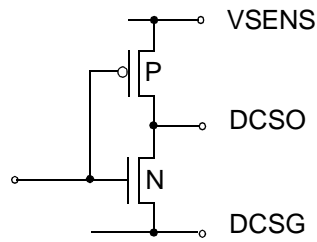


Fig. 4-9: Input/output pins DCSO1/2, DCSG1/2, VSENS1/2

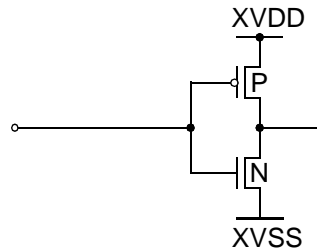


Fig. 4-10: Output pins \overline{PRTW} , \overline{EOD} , \overline{PRTR} , CLKO, SYNC, PUP

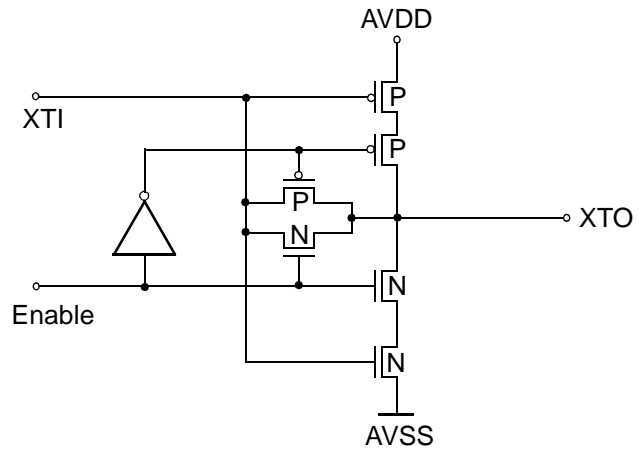


Fig. 4-11: Clock oscillator XTI, XTO

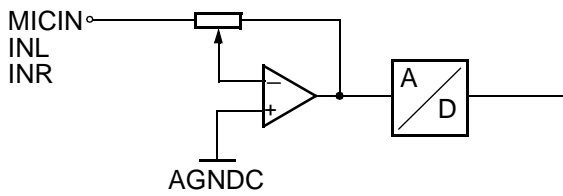


Fig. 4-12: Analog input pins MICIN, INL, INR

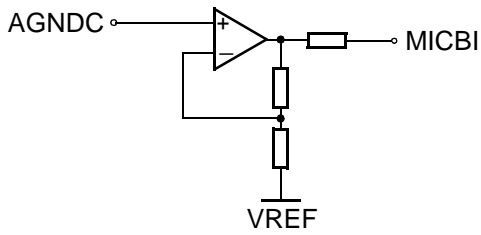


Fig. 4-13: Microphone bias pin (MICBI)

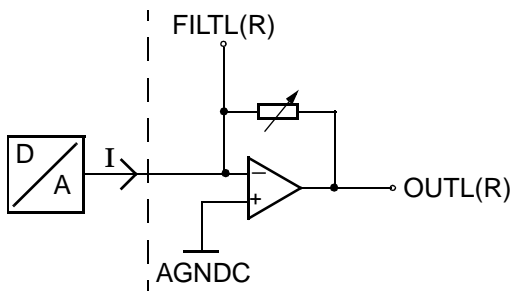


Fig. 4-14: Analog outputs OUTL(R) and connections for filter capacitors FILTL(R)

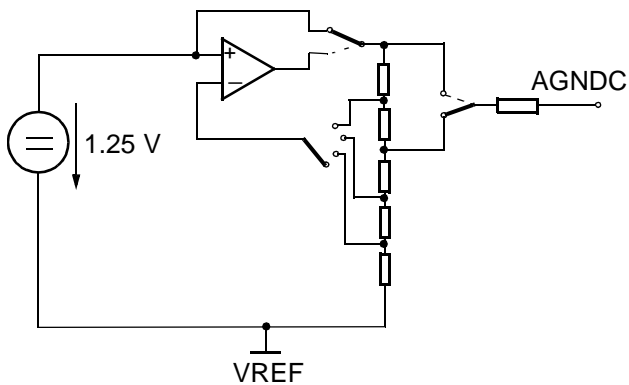


Fig. 4-15: Analog ground generation with pin to connect external capacitor

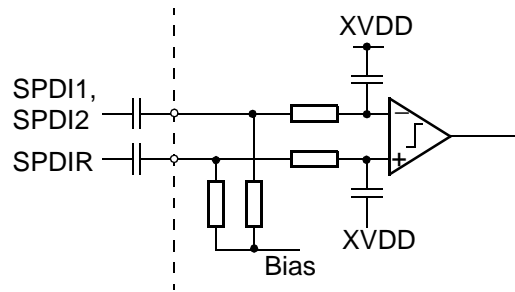


Fig. 4-16: S/PDIF inputs

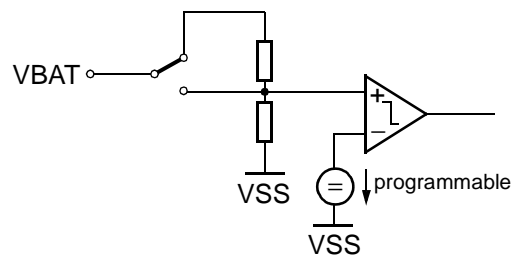


Fig. 4-17: Battery voltage monitor VBAT

4.6. Electrical Characteristics

4.6.1. Absolute Maximum Ratings

Symbol	Parameter	Pin Name	Min.	Max.	Unit
T_A	Ambient operating temperature		-40	85	°C
T_S	Storage Temperature		-40	125	°C
P_{TOT}	Power dissipation	VDD, XVDD, AVDD0/1, I2CVDD		650	mW
V_{SUPA}	Analog supply voltages ¹⁾	AVDD0/1	-0.3	6	V
V_{SUP}	Digital supply voltage	VDD, XVDD, I2CVDD	-0.3	6	V
V_{I2C}	Input voltage, I ² C-Pins	I2CC, I2CD	-0.3	6	V
V_{Idig}	Input voltage, all digital inputs		-0.3	$V_{SUP} + 0.3$	V
I_{Idig}	Input current, all digital inputs		-20	+20	mA
V_{Iana}	Input voltage, all analog inputs		-0.3	$V_{SUP} + 0.3$	V
I_{Iana}	Input current, all analog inputs		-5	+5	mA
I_{Oaudio}	Output current, audio output ²⁾	OUTL/R	-0.2	0.2	A
I_{Odig}	Output current, all digital outputs ³⁾		-50	+50	mA
I_{Odc1}	Output current DCDC converter 1	DCS01		1.5	A
I_{Odc2}	Output current DCDC converter 2	DCS02		1.5	A
¹⁾ Both AVDD0 and AVDD1 have to be connected together! ²⁾ These pins are not short-circuit proof! ³⁾ Total chip power dissipation must not exceed absolute maximum rating					

Stresses beyond those listed in the “Absolute Maximum Ratings” may cause permanent damage to the device. This is a stress rating only. Functional operation of the device at these or any other conditions beyond those indicated in the “Recommended Operating Conditions/Characteristics” of this specification is not implied. Exposure to absolute maximum ratings conditions for extended periods may affect device reliability.

4.6.2. Recommended Operating Conditions

Symbol	Parameter	Pin Name	Min.	Typ.	Max.	Unit
Temperature Range 1 and Supply Voltages						
T _{A1}	Ambient temperature range 1		-40		85	°C
V _{SUPD1}	Digital supply voltage (MPEG decoder)	VDD, XVDD	2.2	2.5	3.9	V
V _{SUPD2}	Digital supply voltage (MPEG 1 encoder)			3.5	3.9	
	Digital supply voltage (MPEG 2 encoder)			2.7	3.9	
V _{SUPI2C}	I ² C bus supply voltage	I2CVDD	V _{SUPDn} ¹⁾ at VDD		3.9	V
V _{SUPA}	Analog audio supply voltage	AVDD0/1	2.2	2.7	3.9	V
	Analog audio supply voltage in relation to the digital supply voltage		0.62		1.6	V _{SUPD}
V _{SUPx}	PIN supply voltage in relation to digital supply voltage	XVDD	0.62		1.6	V _{SUPD}
1) n = 1,2						

Table 4–1: Reference Frequency Generation and Crystal Recommendation

Symbol	Parameter	Pin Name	Min.	Typ.	Max.	Unit
External Clock Input Recommendations						
f _{CLK}	Clock frequency	XTI, XTO	13.00	18.432	20.00	MHz
V _{CLKI}	Clockamplitude of external clock fed into XTI at V _{AVDD} = 2.2 V	XTI	0.7		1.05	V _{PP}
	Clockamplitude of external clock fed into XTI at V _{AVDD} = 2.7 V		0.55		1.5	
	Clockamplitude of external clock fed into XTI at V _{AVDD} = 3.3 V		0.45		1.75	
	Clockamplitude of external clock fed into XTO at V _{AVDD} = 2.2 V	XTO	1.25		2.2	
	Clockamplitude of external clock fed into XTO at V _{AVDD} = 2.7 V		0.75		2.7	
	Clockamplitude of external clock fed into XTO at V _{AVDD} = 3.3 V		0.55		3.3	
	Duty cycle	XTI, XTO	45	50	55	%

Table 4–1: Reference Frequency Generation and Crystal Recommendation

Symbol	Parameter	Pin Name	Min.	Typ.	Max.	Unit
Crystal Recommendations						
f_p	Load resonance frequency at $C_1 = 20$ pF	XTI, XTO		18.432		MHz
$\Delta f/f_S$	Accuracy of frequency adjustment		-50		50	ppm
$\Delta f/f_S$	Frequency variation vs. temperature		-50		50	ppm
R_{EQ}	Equivalent series resistance			12	30	Ω
C_0	Shunt (parallel) capacitance			3	5	pF

Table 4–2: Input Levels

Symbol	Parameter	Pin Name	Min.	Typ.	Max.	Unit
I_{IL}	Input low voltage at $V_{DD} = 2.5...3.9$ V	I2CC, I2CD			0.3	V
I_{IH}	Input high voltage at $V_{DD} = 2.5...3.9$ V		1.4			V
I_{IL}	Input low voltage at $V_{DD} = 2.5...3.9$ V	POR, DCEN			0.2	V
I_{IH}	Input high voltage at $V_{DD} = 2.5...3.9$ V		0.9			V
I_{ILD}	Input low voltage	PI<I>, SI(B)I, SI(B)C, SI(B)D, PR, PCS, TE, DVS			0.3	V
I_{IHD}	Input high voltage		$V_{SUP} - 0.5$			V

Table 4–3: Analog Input and Output Recommendations

Symbol	Parameter	Pin Name	Min.	Typ.	Max.	Unit
Analog Reference						
C_{AGNDC1}	Analog filter capacitor	AGNDC	1.0	3.3		μF
C_{AGNDC2}	Ceramic capacitor in parallel			10		nF
C_{PVDD}	Capacitor for analog circuitry	PVDD	3			nF
Analog Audio Inputs						
C_{inAD}	DC-decoupling capacitor at A/D-converter inputs	INL/R		390		nF
C_{inMI}	DC-decoupling capacitor at microphone-input	MICIN		390		nF
C_{LMICBI}	Minimum-Capacitance at microphone bias	MICBI	3.3			nF
Analog Audio Filter Outputs						
C_{FILT}	Filter capacitor for headphone amplifier high-Q type, NP0 or C0G material	FILT/L/R OUTL/R	-20 %	470	+20 %	pF
Analog Audio Output						
Z_{AOL_HP}	Analog output load with stereo headphones	OUTL/R	16			Ω
				100		pF
DC/DC-Converter External Circuitry (please refer to application example)						
C_1	VSENS blocking (<100 m Ω ESR)	VSENS1/2		330		μF
V_{TH}	Schottky diode threshold voltage	DCSO1/2 VSENS1/2			0.35	V
L	Ferrite ring core coil inductance	DCSO1/2		22		μH
S/PDIF Interface Analog Input						
C_{SPI}	S/PDIF coupling capacitor	SPDI1/2 SPDIR		100		nF

4.6.3. Digital Characteristics

at $T_A = T_{A2}$, V_{SUPDn} , $V_{SUPA} = 2.5 \dots 3.6$ V, $f_{Crystal} = 18.432$ MHz, Typ. values for $T_A = 25$ °C

Symbol	Parameter	Pin Name	Min.	Typ.	Max.	Unit	Test Conditions
Digital Supply Voltage							
I_{SUPD1}	Current consumption (MPEG decoding)	VDD, XVDD, I2CVDD		39		mA	2.5 V, sampling frequency ≥ 32 kHz
				20			2.5 V, sampling frequency ≤ 24 kHz
				11			2.5 V, sampling frequency ≤ 12 kHz
I_{SUPD2}	Current consumption (MPEG encoding)			145			3.5 V, sampling frequency ≥ 32 kHz
				70			2.7 V, sampling frequency ≤ 24 kHz
$I_{STANDBY}$	Total current at stand-by					10	μ A
Digital Outputs and Inputs							
O_{DigL}	Output low voltage	PI<i>,</i> SOI, SOC, SOD, EOD, PRTR, PRTW, CLKO, SYNC, PUP, SPDO			0.3	V	$I_{load} = 2$ mA
O_{DigH}	Output low voltage		$V_{SUPD} - 0.3$				V
Z_{DigI}	Input impedance	all digital Inputs			7	pF	
I_{DLeak}	Digital input leakage current		-1		1	μ A	0 V < V_{pin} < V_{SUPD}

4.6.3.1. I²C Characteristics

at T_A=25°C, V_{SUP}I²C = 2.5...3.6 V

Symbol	Parameter	Pin Name	Min.	Typ.	Max.	Unit	Test Conditions
I²C Input Specifications							
f _{I2C}	Upper limit I ² C bus frequency operation	I2CC	400			kHz	
t _{I2C1}	I ² C START condition setup time	I2CC, I2CD	300			ns	
t _{I2C2}	I ² C STOP condition setup time	I2CC, I2CD	300			ns	
t _{I2C3}	I ² C clock low pulse time	I2CC	1250			ns	
t _{I2C4}	I ² C clock high pulse time	I2CC	1250			ns	
t _{I2C5}	I ² C data setup time before rising edge of clock	I2CC	80			ns	
t _{I2C6}	I ² C data hold time after falling edge of clock	I2CC	80			ns	
V _{I2COL}	I ² C output low voltage	I2CC, I2CD			0.4	V	I _{load} = 3 mA
I _{I2COH}	I ² C output high leakage current	I2CC, I2CD			1	µA	
t _{I2COL1}	I ² C data output hold time after falling edge of clock	I2CC, I2CD	20			ns	
t _{I2COL2}	I ² C data output setup time before rising edge of clock	I2CC, I2CD	250			ns	f _{I2C} = 400 kHz
V _{I2CIL}	I ² C input low voltage	I2CC; I2CD			0.3	V _{SUP} I ² C	
V _{I2CIH}	I ² C input high voltage	I2CC, I2CD	0.6			V _{SUP} I ² C	
t _w	Wait time	I2CC, I2CD	0	0.5	4	ms	

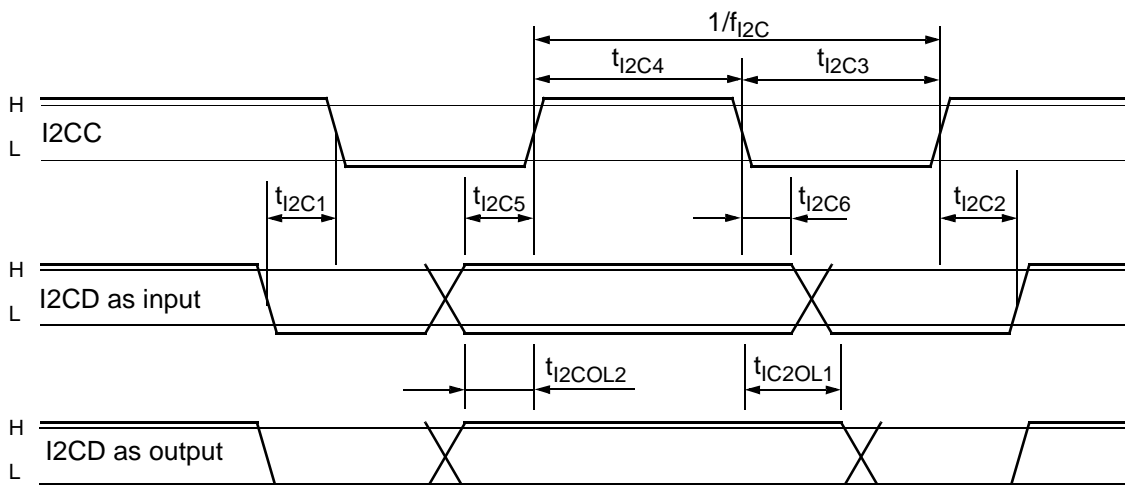


Fig. 4–18: I²C timing diagram

4.6.3.2. Serial (I²S) Input Interface Characteristics (SDI, SDIB)

at $T_A = T_{A2}$, V_{SUPD} , $V_{SUPA} = 2.5 \dots 3.6$ V, $f_{Crystal} = 18.432$ MHz, Typ. values for $T_A = 25$ °C

Symbol	Parameter	Pin Name	Min.	Typ.	Max.	Unit	Test Conditions
t_{SICLK}	I ² S clock input clock period	SI(B)C		325		ns	$f_S = 48$ kHz Stereo, 32 bits per sample (for demand mode see Table 4–4)
t_{SIDS}	I ² S data setup time before rising edge of clock (for continuous data stream: falling edge)	SI(B)C, SI(B)D	50			ns	
t_{SIDH}	I ² S data hold time	SI(B)D	50			ns	
t_{SIIS}	I ² S ident setup time before rising edge of clock (for continuous data stream: falling edge)	SI(B)C, SI(B)I	50			ns	
t_{SIH}	I ² S ident hold time	SI(B)I	50			ns	
t_{bw}	Burst wait time	SI(B)C, SI(B)D	480				

Table 4–4: Maximum demand clock frequency

f_{Sample} (kHz)	f_C (MHz)	min. t_{SICLK}
48, 32	6.144	162
44.1	5.6448	177
24, 16	3.072	325
22.05	2.8224	354
12, 8	1.536	651
11.025	1.4112	708

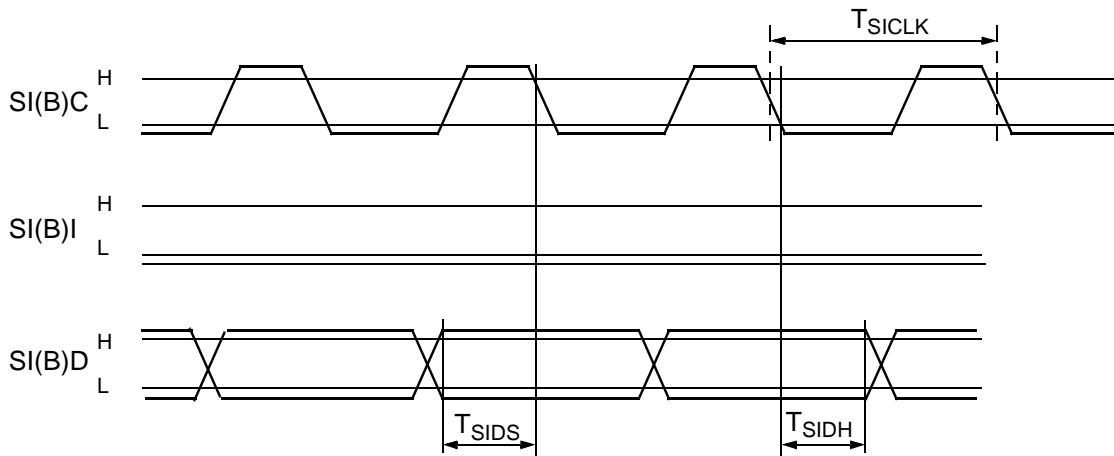


Fig. 4–19: Continuous data stream at serial input A or B. In this mode, the word strobe SI(B)I is not used and the data are read at the falling edge of the clock (bit 2 in D0:7f1 is set).

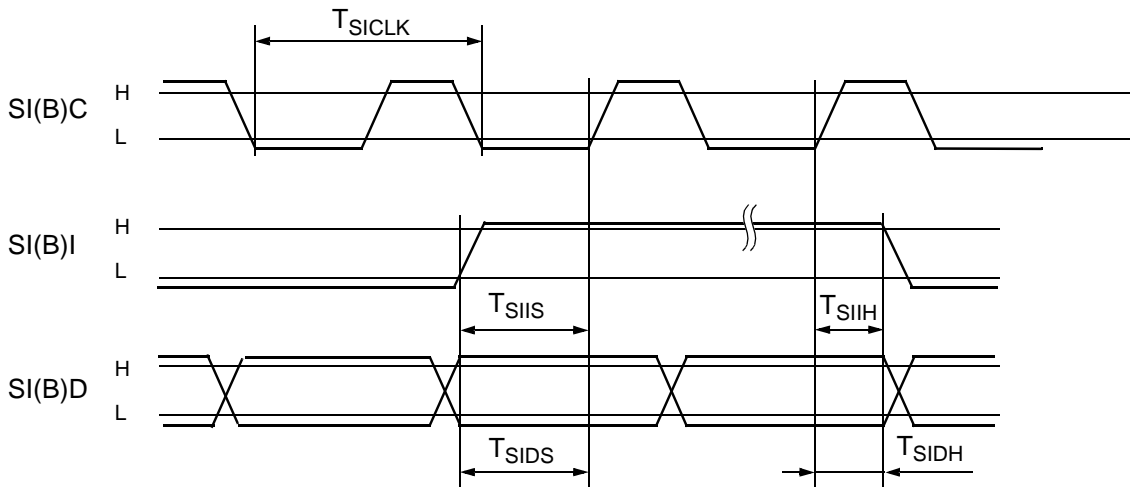


Fig. 4–20: Serial input of I²S signal

4.6.3.3. Serial Output Interface Characteristics (SDO)

at $T_A = T_{A2}$, V_{SUPD} , $V_{SUPA} = 2.5 \dots 3.6$ V, $f_{Crystal} = 18.432$ MHz, Typ. values for $T_A = 25$ °C

Symbol	Parameter	Pin Name	Min.	Typ.	Max.	Unit	Test Conditions
t_{SOCLK}	I ² S clock output frequency	SOC		325		ns	$f_S = 48$ kHz Stereo 32 bits per sample
t_{SOISS}	I ² S word strobe delay time after falling edge of clock	SOC, SOI	0			ns	
t_{SOODC}	I ² S data delay time after falling edge of clock	SOC, SOD	0			ns	

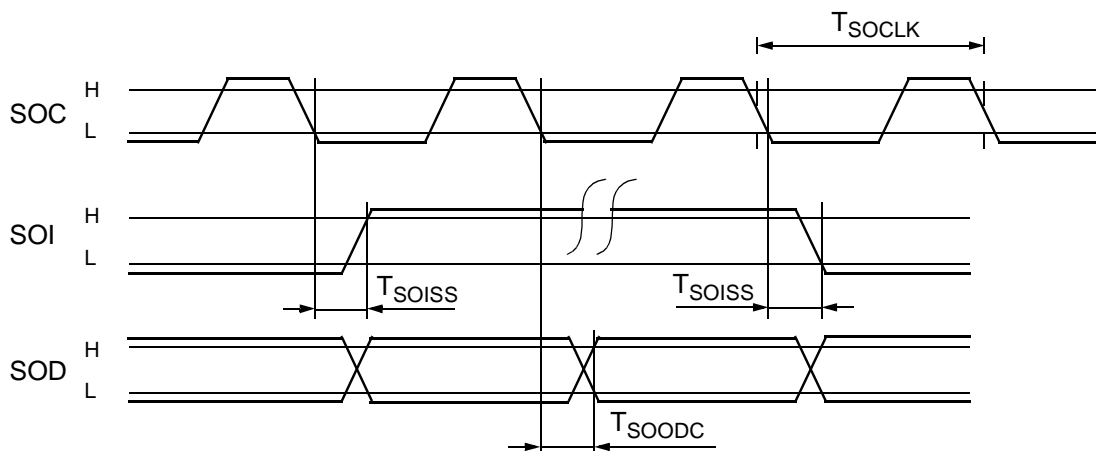


Fig. 4–21: Serial output interface timing.

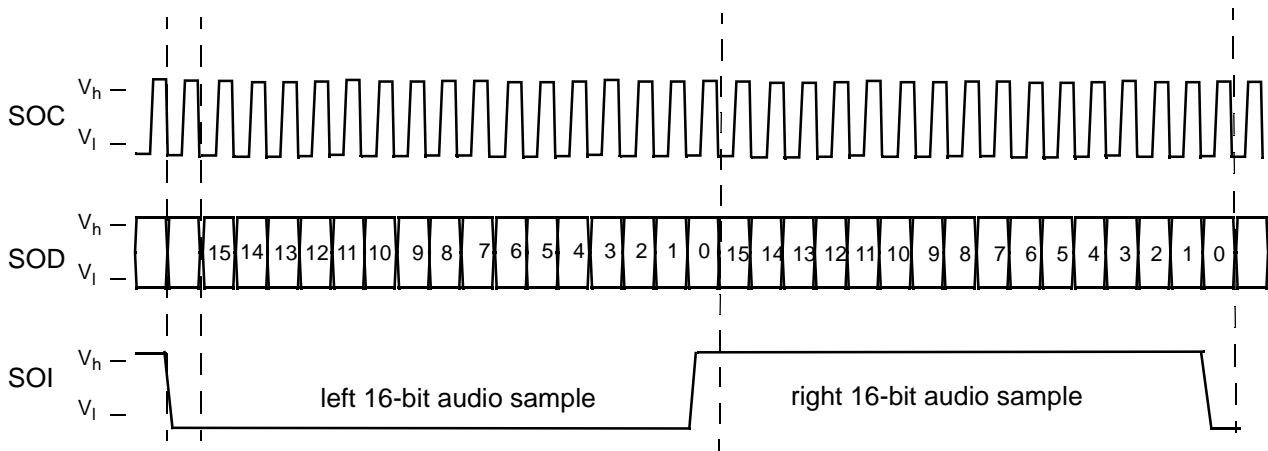


Fig. 4–22: Sample timing of the SDO interface in 16 bit/sample mode. D0:7f1 settings are: Bit 14 = 0 (SOC not inverted), bit 11 = 1 (SOI delay), bit 5 = 0 (word strobe not inverted), bit 4 = 1 (16 bits/sample).

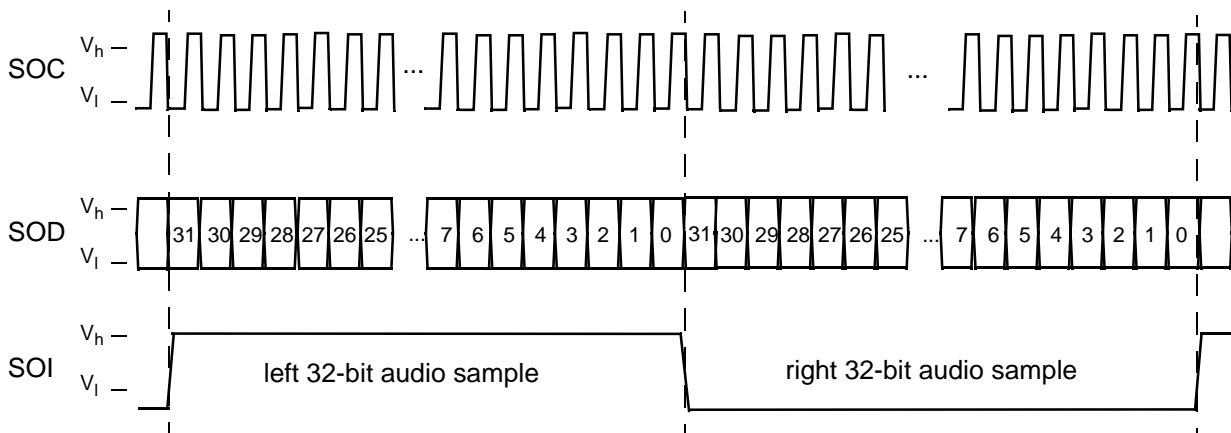


Fig. 4–23: Sample timing of the SDO interface in 32 bit/sample mode. D0:7f1 settings are: Bit 14 = 0 (SOC not inverted), bit 11 = 0 (no SOI delay), bit 5 = 1 (word strobe inverted), bit 4 = 0 (32 bits/sample).

4.6.3.4. S/PDIF Input Characteristics

at $T_A = T_{A2}$, V_{SUPD} , $V_{SUPA} = 2.5 \dots 3.6$ V, $f_{Crystal} = 18.432$ MHz, Typ. values for $T_A = 25$ °C.

Symbol	Parameter	Pin Name	Min.	Typ.	Max.	Unit	Test Conditions
V_S	Signal amplitude	SPDI1, SPDI2, SPDIR	200	500	1000	mV _{pp}	
f_{s1}	Bi-phase frequency	SPDI1, SPDI2, SPDIR		2.048		MHz	± 1000 ppm, $f_s = 48$ kHz
f_{s2}	Bi-phase frequency	SPDI1, SPDI2, SPDIR		2.822		MHz	± 1000 ppm, $f_s = 44.1$ kHz
f_{s3}	Bi-phase frequency	SPDI1, SPDI2, SPDIR		3.072		MHz	± 1000 ppm, $f_s = 32$ kHz
t_P	Bi-phase period	SPDI1, SPDI2, SPDIR		326		ns	at $f_s = 48$ kHz, (highest sampling rate)
t_R	Rise time	SPDI1, SPDI2, SPDIR	0		65	ns	at $f_s = 48$ kHz, (highest sampling rate)
t_F	Fall time	SPDI1, SPDI2, SPDIR	0		65	ns	at $f_s = 48$ kHz, (highest sampling rate)
	Duty cycle	SPDI	40	50	60	%	at bit value=1 and $f_s = 48$ kHz
$t_{H1,L1}$		SPDI	81		163	ns	minimum/maximum pulse duration with a level above 90 % or below 10 % and at $f_s = 48$ kHz
$t_{H0,L0}$		SPDI	163		244	ns	minimum/maximum pulse duration with a level above 90 % or below 10 % and at $f_s = 48$ kHz

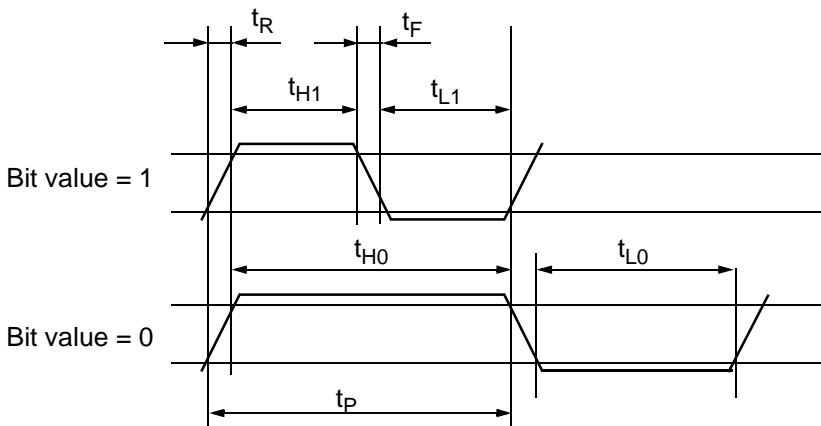


Fig. 4–24: Timing of the S/PDIF input

4.6.3.5. S/PDIF Output Characteristics

at $T_A = T_{A2}$, V_{SUPD} , $V_{SUPA} = 2.5 \dots 3.6$ V, $f_{Crystal} = 18.432$ MHz, Typ. values for $T_A = 25$ °C.

Symbol	Parameter	Pin Name	Min.	Typ.	Max.	Unit	Test Conditions
f_{s1}	Bi-phase frequency	SPDO		3.072		MHz	$f_s = 48$ kHz
f_{s2}	Bi-phase frequency	SPDO		2.822		MHz	$f_s = 44.1$ kHz
f_{s3}	Bi-phase frequency	SPDO		2.048		MHz	$f_s = 32$ kHz
t_P	Bi-phase period	SPDO		326		ns	at $f_s = 48$ kHz, (highest sampling rate)
t_R	Rise time	SPDO	0		2	ns	$C_{load} = 10$ pF
t_F	Fall time	SPDO	0		2	ns	$C_{load} = 10$ pF
	Duty cycle	SPDO		50		%	
$t_{H1,L1}$		SPDO		163		ns	minimum/maximum pulse duration with a level above 90 % or below 10 % and at $f_s = 48$ kHz
$t_{H0,L0}$		SPDO		326		ns	minimum/maximum pulse duration with a level above 90 % or below 10 % and at $f_s = 48$ kHz
V_S	Signal amplitude	SPDO		V_{SUPD}			

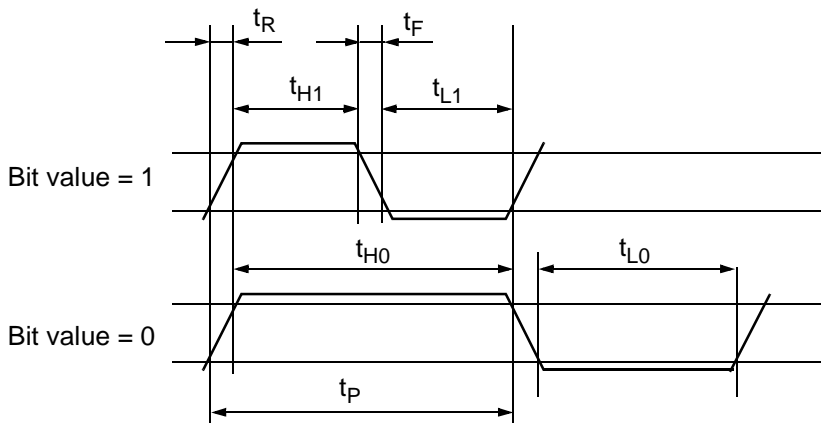


Fig. 4–25: Timing of the S/PDIF output

4.6.3.6. PIO as Parallel Input Interface: DMA Mode

In decoding mode, the data transfer can be started after the $\overline{\text{EOD}}$ pin of the MAS 3587F is set to “high”. After verifying this, the controller signalizes the sending of data by activating the PR line. The MAS 3587F responds by setting the $\overline{\text{RTR}}$ line to the “low” level. The MAS 3587F reads the data $\text{PI}[19:12]$ and sets RTR to low after rising edge of PR. After RTR is set to high, the mC sets PR to low. The next data word write operation will be initialized again by setting the PR line via the controller. Please refer to Figure 4–26 for the exact timing

The procedure above will be repeated until the MAS 3587F sets the $\overline{\text{EOD}}$ signal to “0” which indicates that the transfer of one data block has been executed. Subsequently, the controller should set PR to “0”, wait until $\overline{\text{EOD}}$ rises again and then repeat the procedure to send the next block of data. The DMA buffer is 15 bytes long.

The buffer size is subject to change in the next version.

Symbol	Pin Name	Min.	Max.	Unit
t_{st}	PR, $\overline{\text{EOD}}$	0.010	2000	μs
t_r	PR, $\overline{\text{RTR}}$	40	160	ns
t_{pd}	PR, $\text{PI}[19:12]$	120	480	ns
t_{set}	$\text{PI}[19:12]$	160		ns
t_h	$\text{PI}[19:12]$	160		ns
t_{rtrq}	RTR	200	30000	ns
t_{pr}	PR	480		ns
t_{rpr}	PR, $\overline{\text{RTR}}$	160		ns
t_{eod}	PR, $\overline{\text{EOD}}$	40	160	ns
t_{eodq}	EOD	2.5	500	μs

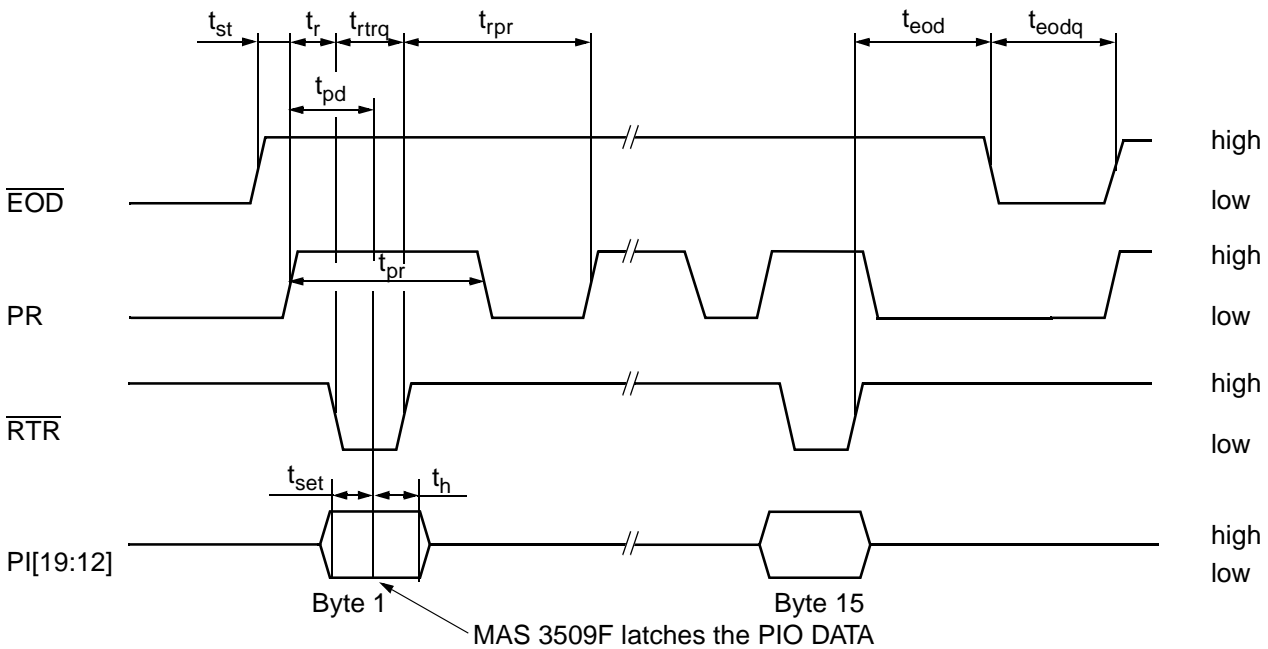


Fig. 4–26: Handshake protocol for writing MPEG data to the PIO-DMA

**4.6.3.7. PIO as Parallel Output Interface:
DMA Mode**

In encoding mode, the MAS 3587F signals available data by setting the $\overline{\text{EOD}}$ pin to "high". After verifying this, the controller signalizes its capability to receive one byte of data by activating the PR line. The MAS 3587F responds by setting the $\overline{\text{RTW}}$ line to the "low" level when the actual byte is set on the data lines PI[19:12]. After PR is set to "low" level, the $\overline{\text{RTW}}$ line is set to "high" again. The next data word write operation will be initialized again by setting the PR line via the controller. Please refer to Fig. 4–27 on page 71 for the exact timing.

The procedure above will be repeated until the MAS 3587F sets the $\overline{\text{EOD}}$ signal to "0" which indicates that the transfer of one data block has been executed. Subsequently, the controller should set PR to "0", wait until $\overline{\text{EOD}}$ rises again and then repeat the procedure to receive the next block of data. The DMA buffer is 15 bytes long.

The buffer size is subject to change in the next version.

In order to transfer the worst case data rate of 192 kbit/s, the controller must react sufficiently fast. The mean response times (t_0 , t_3 , t_5) must be faster than 10 ms. Due to internal buffering in the MAS 3587F, this time can be expanded up to 4.8 ms once within each frame (see Table 2–2 on page 15) in any case.

Table 4–5: PIO output mode timing

Symbol	Pin	Min.	Max.	Unit
t_0	$\overline{\text{EOD}}$, PR	0.010	2000	μs
t_1	PR, PI	110	310	ns
t_2	PI, $\overline{\text{RTW}}$	18	55	ns
t_3	$\overline{\text{RTW}}$, PR	18		ns
t_4	PR, $\overline{\text{RTW}}$	90	260	ns
t_5	$\overline{\text{RTW}}$, PR	35		ns
t_{eod}		tbd	tbd	ns
t_{eodq}		2.5		ns

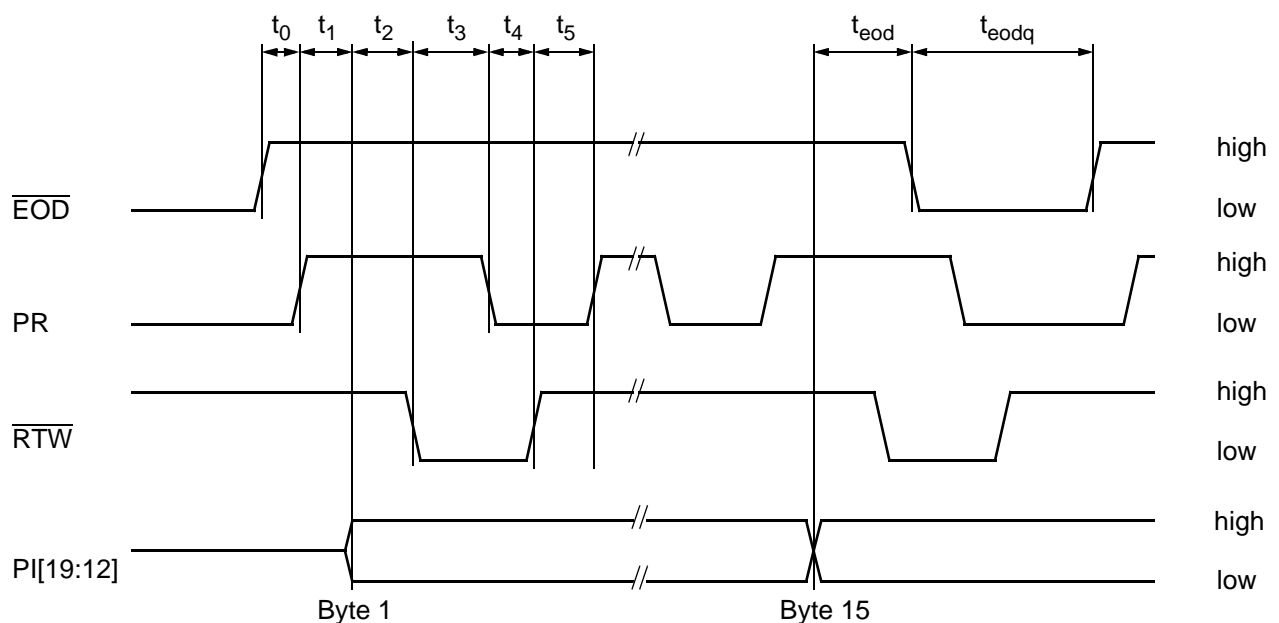


Fig. 4–27: Handshake protocol for reading MPEG data from the PIO-DMA

4.6.4. Analog Characteristics

at $T_A = T_{A2}$, $V_{SUPD} = 2.5...3.6$ V, $V_{SUPA} = 2.2 ... 3.6$ V, $f_{Crystal} = 13...20$ MHz,
typical values at $T_A = 25$ °C and $f_{CRYSTAL} = 18.432$ MHz

Symbol	Parameter	Pin Name	Min.	Typ.	Max.	Unit	Test Conditions
Analog Supply							
I_{AVDD}	Current consumption analog audio	AVDD0/1		5		mA	$V_{SUPA} = 2.2$ V, Mute
I_{QOSC}	Current consumption crystal oscillator	AVDD0/1		200		μ A	Codec = off DSP = off DC/DC = on
$I_{STANDBY}$					10		Codec = off DSP = off DC/DC = off
Crystal Oscillator							
V_{DCCLK}	DC voltage at oscillator pins	XTI, XTO		0.5		V_{SUPA}	if crystal is used
V_{ACLK}	Clock amplitude		0.5		$V_{SUPA} - 0.5$	V_{PP}	
C_{IN}	Input capacitance			3		pF	
R_{OUT}	Output resistance	XTO		220		Ω	$V_{SUPA} = 2.2$ V
				125			$V_{SUPA} = 2.7$ V
				94			$V_{SUPA} = 3.3$ V
Analog Audio							
V_{AI}	Analog line input clipping level (at minimum analog input gain, i.e. -3 dB)	INL/R				V_{pp}	V_{SUPA} Bits 15, 14 in Reg. 6A _{hex}
				2.2			>2.2 V 00
				2.6			>2.4 V 01
				3.2			>3.0 V 10
V_{MI}	Microphone input clipping level (at minimum analog input gain, i.e. +21 dB)	MICIN				mV _{pp}	V_{SUPA} Bits 15,14 in Reg. 6A _{hex}
				141			>2.0 V 00
				167			>2.4 V 01
				282			>3.0 V 10

Symbol	Parameter	Pin Name	Min.	Typ.	Max.	Unit	Test Conditions
V _{AO1}	Analog Output Voltage AC at 0 dB output gain	OUTL/R					R _L ≥ 1 kΩ Input=0 dBFS digital V _{SUPA} Bits 15, 14 in Reg 6A _{hex}
				1.56		V _{pp}	>2.2 V 00
				1.84			>2.4 V 01
	at +3 dB output gain			2.27			>3.0 V 10
				2.20		V _{pp}	>2.2 V 00
				2.60			>2.6 V 01
		3.20			>3.2 V 10		
dV _{AO1}	Deviation of DC-Level at Analog Output for AGNDC-Voltage	OUTL/R	-20		20	mV	
V _{AO2}	Analog Output Voltage AC at 0 dB output gain	OUTL/R					R _L is 16 Ω Headphone and 22 Ω seriesresistor Input=0 dBFS digital (see Fig. 4-31 on page 80) V _{SUPA} Bits 15, 14 in Reg 6A _{hex}
				1.56		V _{pp}	>2.2 V 00
				1.84			>2.4 V 01
	at +3 dB output gain			2.27			>3.0 V 10
				2.00		V _{pp}	>2.2 V 00
				2.40			>2.6 V 01
		3.00			>3.2 V 10		
R _{inAI}	Analog line input resistance	INL/R		97		kΩ	at minimum analog input gain, i.e. -3 dB
				20			at maximum analog input gain, i.e. +19.5 dB
				67			not selected
R _{inMI}	Microphone input resistance	MICIN		94		kΩ	at minimum analog input gain, i.e. -21 dB
				8			at maximum analog input gain, i.e. +43.5 dB
				94			not selected
R _{inAO}	Analog output resistance	OUTL/R			6	Ω	analog gain=+3 dB, Input=0 dBFS digital
SNR _{AI}	Signal-to-noise ratio of line input	INL/R		74			dB(A) BW = 20 Hz...20 kHz, analog gain=0 dB, input 1 kHz at V _{AI} -20 dB

Symbol	Parameter	Pin Name	Min.	Typ.	Max.	Unit	Test Conditions
SNR _{MI}	Signal-to-noise ratio of microphone input	MICIN		73		dB(A)	BW = 20 Hz...20 kHz, analog gain=+21 dB, input 1 kHz at V _{MI} -20 dB
THD _{AI}	Total harmonic distortion of analog inputs	INL/R MICIN		0,01	0.02	%	BW = 20 Hz...20 kHz, analog gain = 0 dB, resp. 24 dB, input 1 kHz at -3 dBFS=V _{AI} -6 dB resp. V _{MI} -6 dB
XTALK _{AI}	Crosstalk attenuation left/right channel (analog inputs)	INL/R MICIN		80		dB	f = 1 kHz, sine wave, analog gain = 0 dB, input = -3 dBFS
PSRR _{AI}	Power supply rejection ratio for analog audio inputs	AVDD0/1, INL/R MICIN		45		dB	1 kHz sine at 100 mV _{rms}
				20		dB	≤100 kHz sine at 100 mV _{rms}
Audio Output							
SNR _{AO}	Signal-to-noise ratio of analog output	OUTL/R		94		dB(A)	R _L ≥16 Ω BW = 20 Hz...20 kHz, analog gain = 0 dB input = -20 dBFS
THD _{AO}	Total harmonic distortion (headphone) for R _L ≥16Ω plus 22Ω series resistor (see Fig. 4-31 on page 80) for R _L ≥1kΩ	OUTL/R		0.03	0.05	%	
				0.003	0.01	%	
Lev _{MuteAO}	Mute level	OUTL/R		-113		dBV	A-weighted BW=20 Hz...22kHz , no digital input signal, analog gain=mute
XTALK _{AO}	Crosstalk attenuation left/right channel (headphone)	OUTLR		80		dB	f=1 kHz, sine wave, OUTL/R: R _L ≥16 Ω (see Fig. 4-31 on page 80) analog gain=0 dB input=-3 dBFS
PSRR _{AO}	Power supply rejection ratio for analog audio outputs	AVDD0/1 OUTL/R		70		dB	1 kHz sine at 100 mV _{rms}
				35		dB	≤100 kHz sine at 100mV _{rms}
V _{AGNDC}	Analog Reference Voltage	AGNDC				V	R _L >> 10 MΩ, referred to VREF
							V _{SUPA} Bits 15, 14 in Reg. 6A _{hex}
				1.1			>2.2 V 00
				1.3			>2.4 V 01
				1.6			>3.0 V 10

Symbol	Parameter	Pin Name	Min.	Typ.	Max.	Unit	Test Conditions
V_{MICBI}	Bias voltage for microphone	MICBI					V_{SUPA} Bits 15, 14 in Reg. 6A _{hex}
				1.8			>2.2 V 00
				2.13			>2.4 V 01
				2.62			>3.0 V 10
R_{MICBI}	Source resistance	MICBI		180		Ω	
I_{MAX}	Maximum current microphone bias	MICBI				μA	V_{SUPA} Bits 15, 14 in Reg. 6A _{hex}
				300			>2.2 V 00

4.6.5. DC/DC Converter Characteristics

at $T_A = T_{A2}$, $V_{in} = 1.2\text{ V}$ (unless otherwise noted), $V_{outn} = 3.0\text{ V}$, $f_{clk} = 18.432\text{ MHz}$, $f_{sw} = 384\text{ kHz}$,
Typ. values for $T_A = 25\text{ °C}$

Symbol	Parameter	Pin Name	Min.	Typ.	Max.	Unit	Test Conditions
V_{IN}	Minimum start-up input voltage	*		0.9		V	$I_{LOAD} \leq 1\text{ mA}$, DCCF = 5050 _{hex} (reset)
V_{IN}	Minimum operating input voltage						
	DC1*			0.7		V	$I_{LOAD} = 50\text{ mA}$, DCCF = 5050 _{hex} (reset)
	DC2*			0.8		V	$I_{LOAD} = 200\text{ mA}$, DCCF = 5050 _{hex} (reset)
	DC1*			1.1		V	$I_{LOAD} = 200\text{ mA}$, DCCF = 5050 _{hex} (reset)
	DC2*			1.2		V	$I_{LOAD} = 200\text{ mA}$, DCCF = 5050 _{hex} (reset)
V_{OUT}	Programmable output voltage range	VSSENSN	2.0		3.5	V	Voltage settings in DCCF register (I ² C subaddress 76 _{hex})
V_{OTOL}	Output voltage tolerance	VSSENSN	2.88		3.12	V	$I_{LOAD} = 20\text{ mA}$ $T_A = 25\text{ °C}$
I_{LOAD1}	Output current 1 battery cell	VSSENSN			200	mA	$V_{IN} = 0.9...1.5\text{ V}$, 330 μF
I_{LOAD2}	Output current 2 battery cells				600	mA	$V_{IN} = 1.8...3.0\text{ V}$, 330 μF
$dV_{OUT}/dV_{IN}/V_{OUT}$	Line regulation	VSSENSN		0.8		%/V	
dV_{OUT}/V_{OUT}	Load regulation						
	DC1	VSSENS1		-1.7		%	$I_{LOAD} = 20...200\text{ mA}$,
	DC2	VSSENS2		-1.8		%	
η_{max}	Maximum efficiency	-			95	%	$V_{IN} = 2.4\text{ V}$, $V_{OUT} = 3.5\text{ V}$
f_{switch}	Switching frequency	DCSON	297	384	576	kHz	(see Section 2.9.2. on page 11)
$f_{startup}$	Switching frequency during start-up	DCSON		250		kHz	$VSSENSn < 1.9\text{ V}$
$I_{supPFM1}$	Supply current in PFM mode	VSSENS1		75		μA	1)
$I_{supPFM2}$		VSSENS2		135		μA	
$I_{supPWM1}$	Supply current in PWM mode	VSSENS1		265		μA	VSSENSn 1) 2)
$I_{supPWM2}$		VSSENS2		325		μA	
I_{Inmax}	NMOS switch current limit (low side switch)	DCSON, DCSGn		1		A	
I_{Iptoff}	PMOS switch turnoff current (rectifier switch)	DCSON, VSSENSn		70		mA	
I_{LEAK}	leakage current	DCSON, DCSGn		0.1		μA	$T_j = 25\text{ °C}$, converter off, $I_{LOAD} = 0\text{ }\mu\text{A}$

1) Current into VSSENSn. $V_{IN} > V_{OUT} + \Delta V$; ($\Delta V = 0.4\text{ V}$); no DC/DC-Converter regulation switching action present

2) Add. current of oscillator at PIN AVDD0/1, (see Section 4.6.4. on page 72)

4.6.6. Typical Performance Characteristics

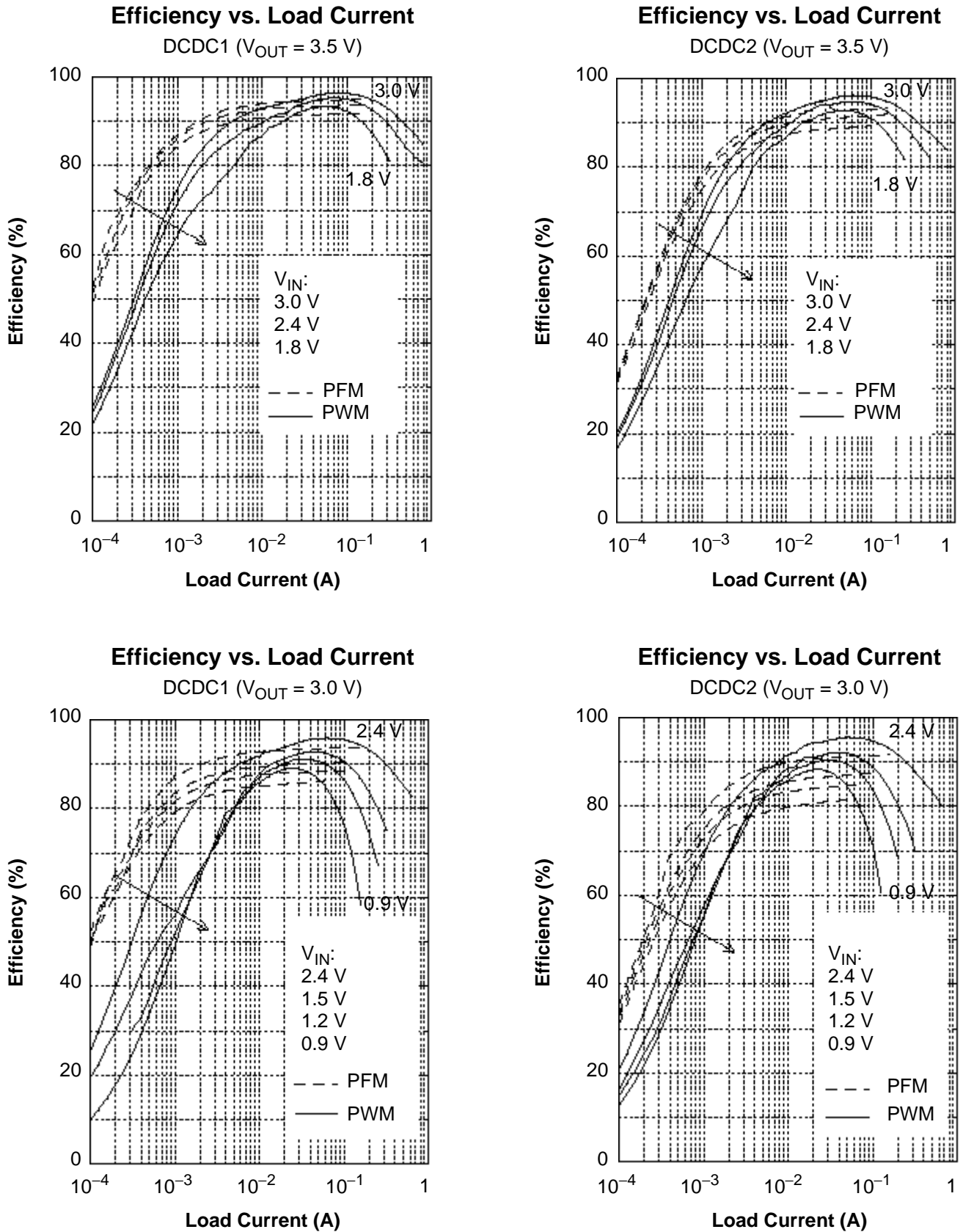


Fig. 4–28: Efficiency vs. Load Current

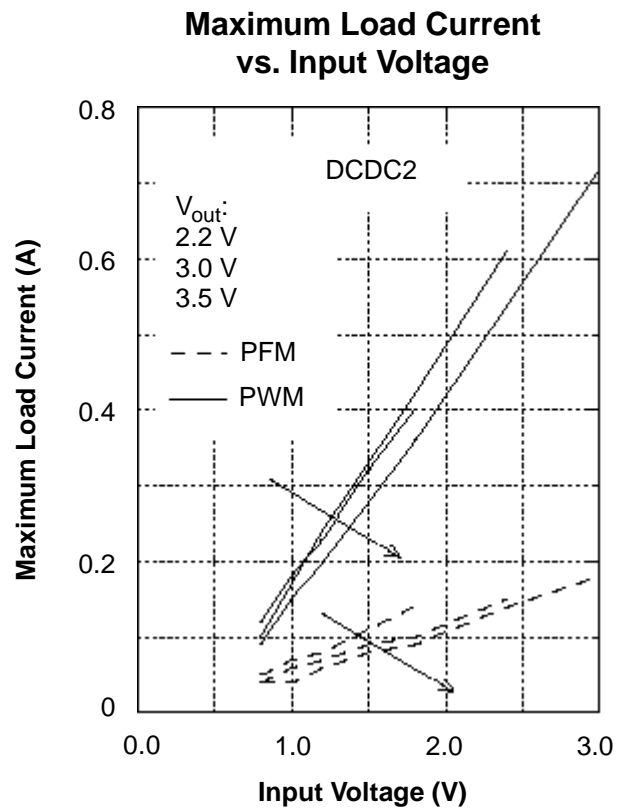
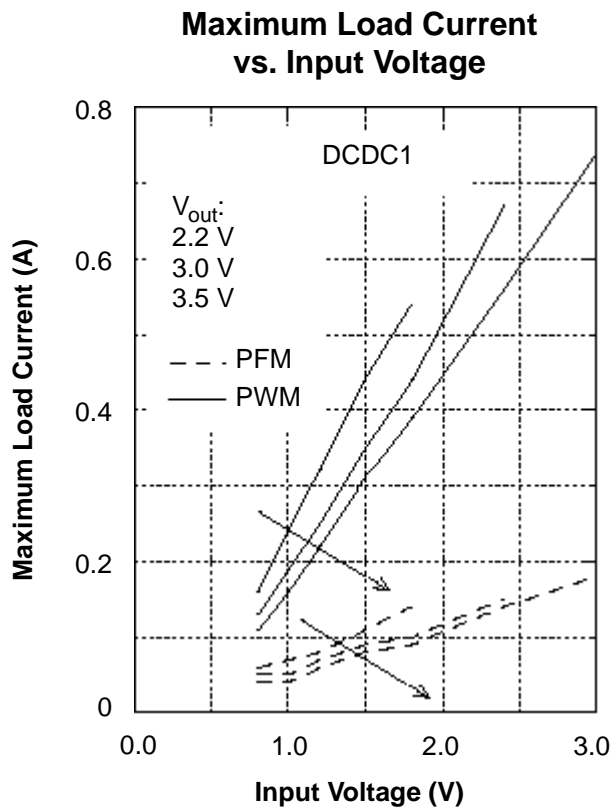
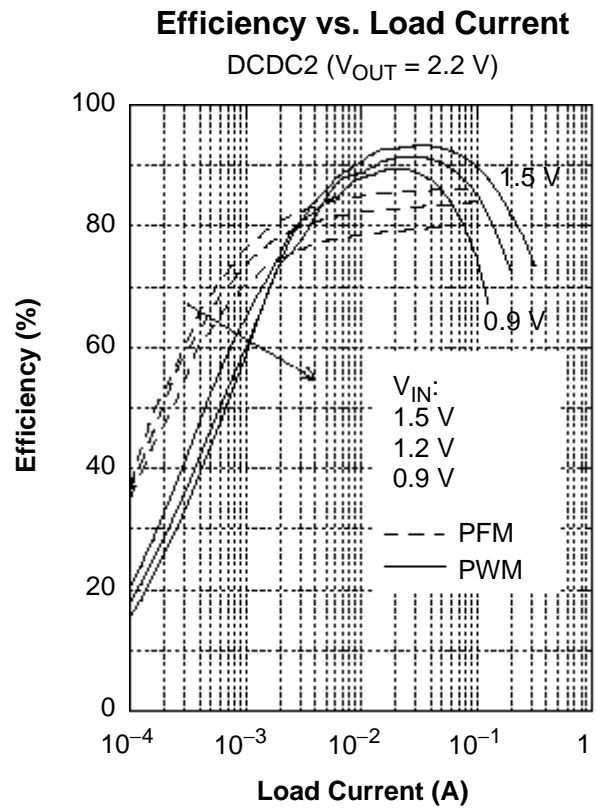
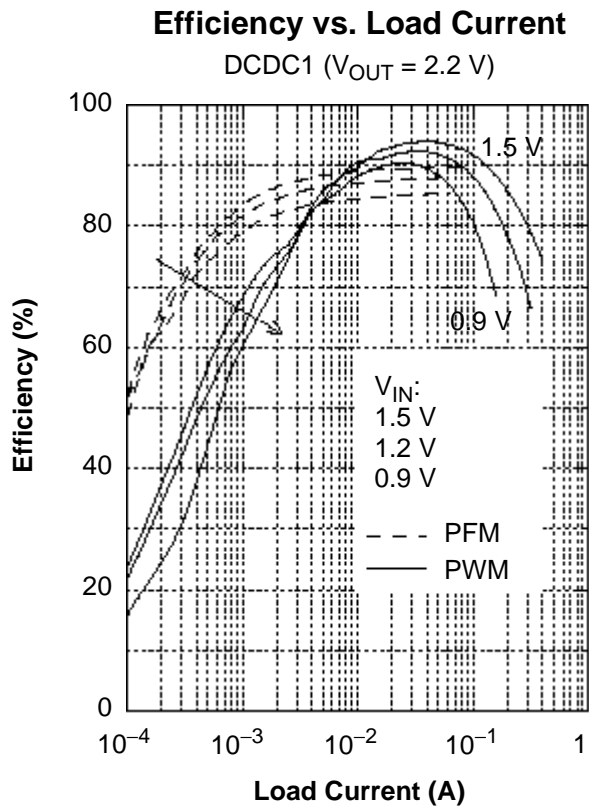


Fig. 4–29: Maximum Load Current vs. Input Voltage

Note: Efficiency is measured as $V_{\text{SENSn}} \times I_{\text{LOAD}} / (V_{\text{in}} \times I_{\text{in}})$.
I_{AVDD} is not included (Oscillator current)

4.8. Recommended DC/DC Converter Application Circuit

Configuration 1 (see Fig. 2–8 on page 13)

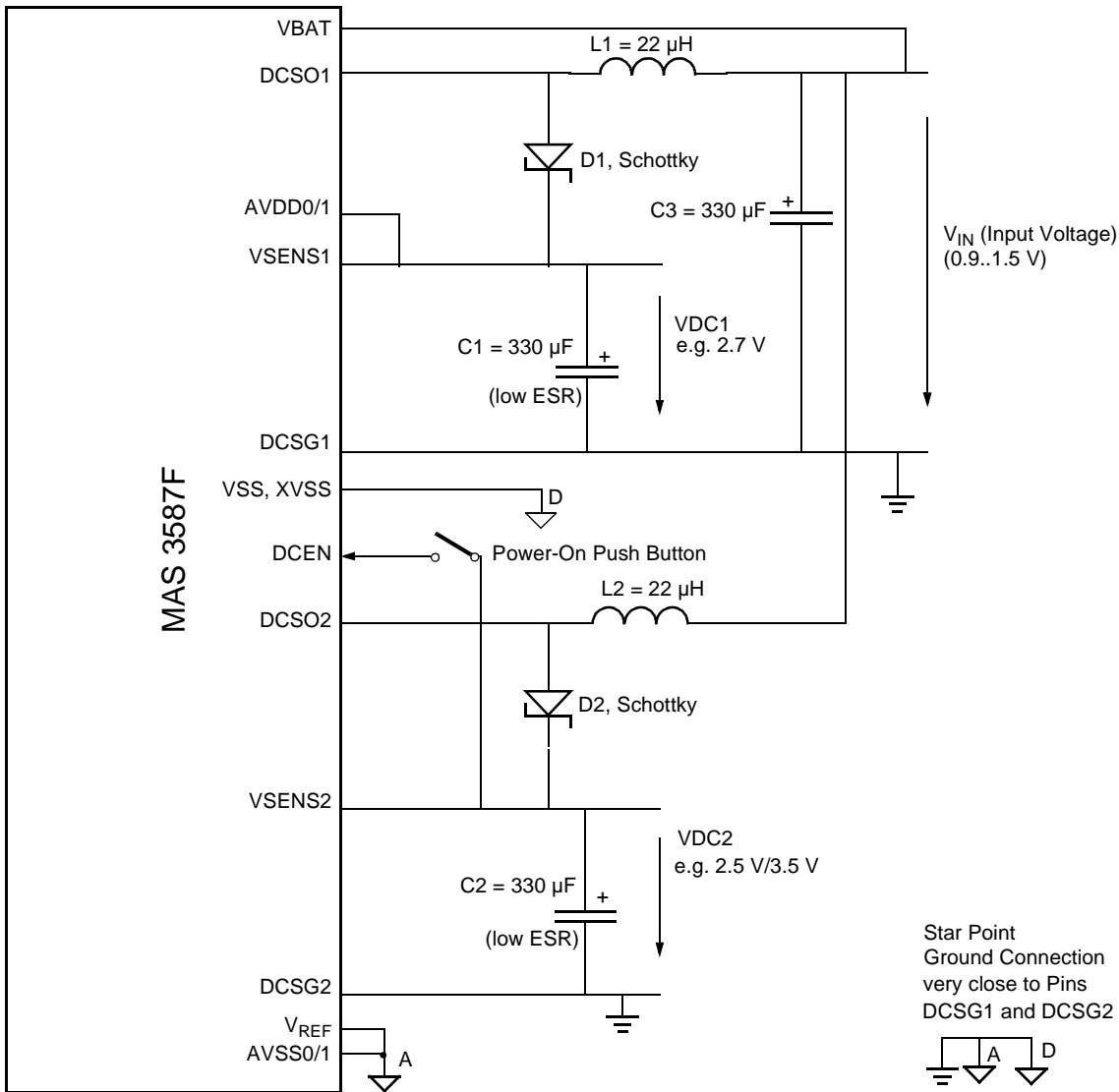


Fig. 4–31: External circuitry for the DC/DC converters

5. Data Sheet History

1. Advance Information: "MAS 3587F MPEG Layer 3 Audio Encoder/Decoder", March 2, 2001, 6251-542-1AI. First release of the advance information.

Micronas GmbH
Hans-Bunte-Strasse 19
D-79108 Freiburg (Germany)
P.O. Box 840
D-79008 Freiburg (Germany)
Tel. +49-761-517-0
Fax +49-761-517-2174
E-mail: docservice@micronas.com
Internet: www.micronas.com

Printed in Germany
Order No. 6251-542-1AI

All information and data contained in this data sheet are without any commitment, are not to be considered as an offer for conclusion of a contract, nor shall they be construed as to create any liability. Any new issue of this data sheet invalidates previous issues. Product availability and delivery are exclusively subject to our respective order confirmation form; the same applies to orders based on development samples delivered. By this publication, Micronas GmbH does not assume responsibility for patent infringements or other rights of third parties which may result from its use.

Further, Micronas GmbH reserves the right to revise this publication and to make changes to its content, at any time, without obligation to notify any person or entity of such revisions or changes.

No part of this publication may be reproduced, photocopied, stored on a retrieval system, or transmitted without the express written consent of Micronas GmbH.

This datasheet has been download from:

www.datasheetcatalog.com

Datasheets for electronics components.