

**ANALOG
PRODUCTS**

**MC33702
FACT SHEET**

APPLICATIONS

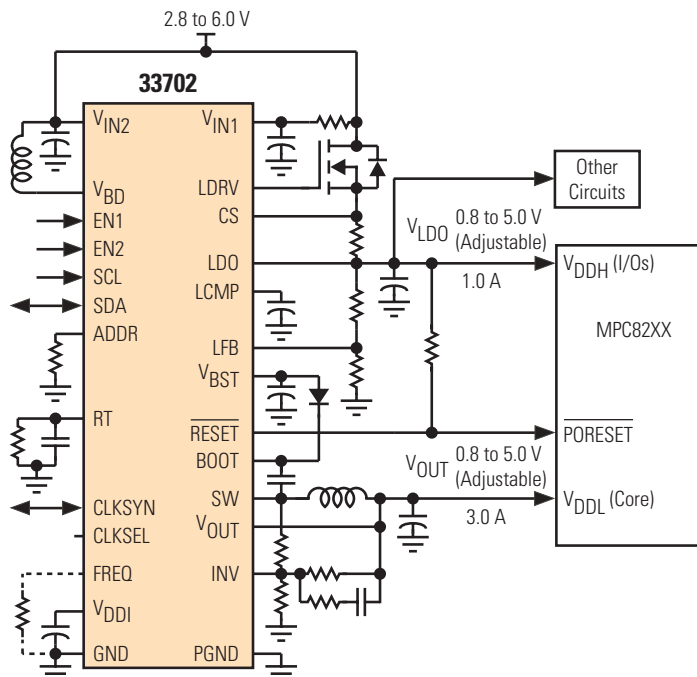
- Power Management of Advanced Microprocessor Based Systems
- Telecom and Network Cards
- Wireless Modems
- ADSL Line Cards
- Cable Modems
- Li-ion Cell Equipment
- Portable Equipment

33702 MICROPROCESSOR POWER SUPPLY (3.0 A)

The 33702 is a monolithic IC providing an efficient means of obtaining power for the Motorola Power QUICC I and II microprocessor families and other advanced microprocessors. The IC incorporates a high-performance synchronous switching regulator. The regulator is capable of delivering 3.0 A to power the microprocessor's core and linear circuitry to control an external low-drop FET for powering the microprocessor's I/O operations. Both regulator output voltages are independently adjustable.

A boost converter allows high-accuracy output voltages to be developed from source operating voltages as low as 2.8 V. Seven $\pm 1.0\%$ Output Voltage Margining steps are provided to facilitate easy system development.

Simplified Application Diagram



**For More Information On This Product,
Go to: www.freescale.com**

Freescale Semiconductor, Inc.

FEATURES

- I²C with address register selection for programming control
- Programmable internal Watchdog and Power-ON Reset to ensure MCU performance integrity
- Synchronous buck converter with cycle-by-cycle PWM current mode control for enhanced output voltage accuracy
- Boost converter for enhanced low-voltage performance
- Adjustable switching regulator output voltage via external resistor divider
- External RC programmed Reset Power-UP Delay timer
- Additional devices available for comparison in Analog Selector Guide SG1002/D

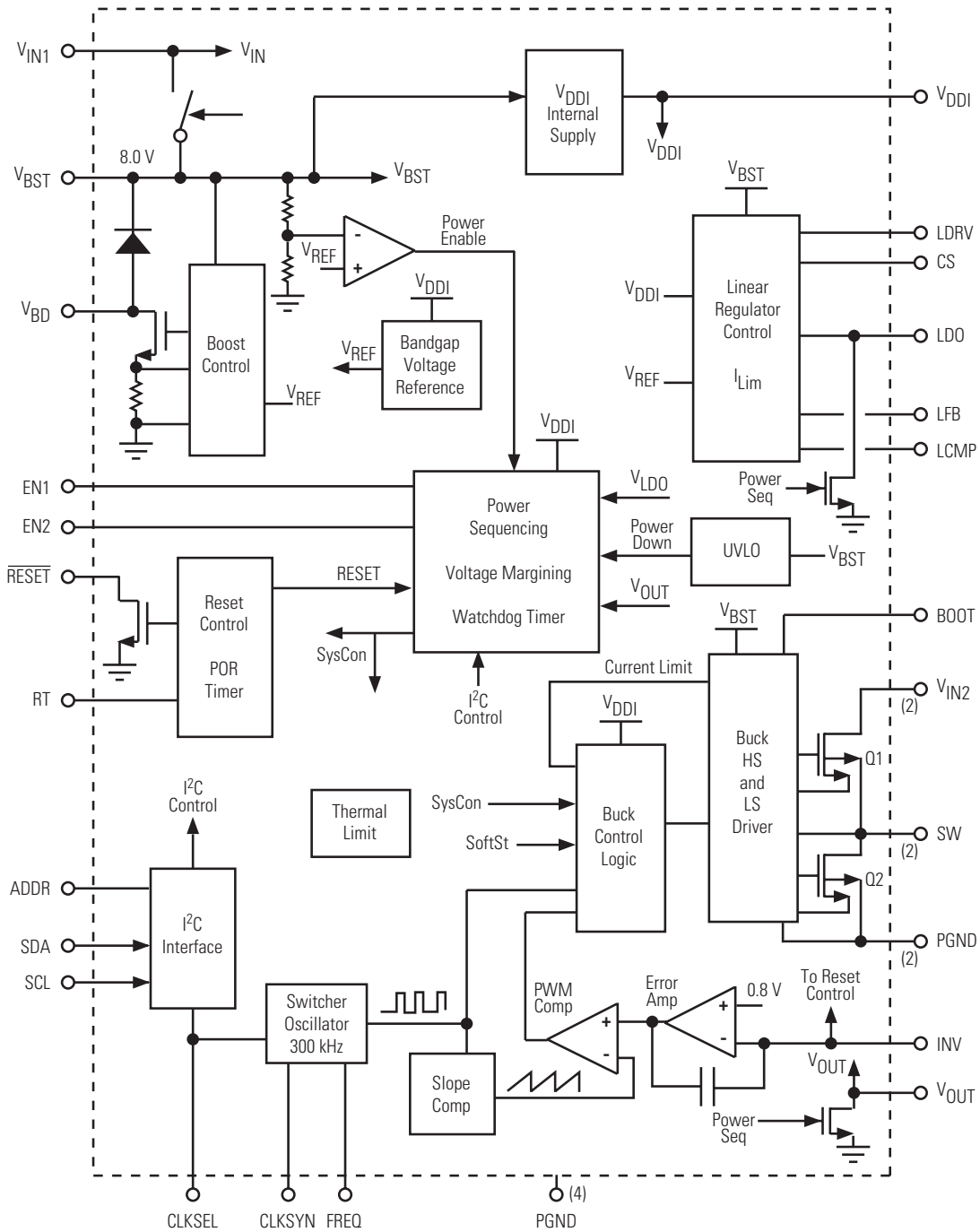
CUSTOMER BENEFITS

- High-performance power source supporting advanced microprocessors
- High-efficiency step-down switching regulator
- Reduced PC board space resulting in enhanced application reliability and lower costs
- Self-contained Watchdog with Power-ON Reset
- Predictable up/down power sequencing to ensure CPU integrity
- Flexible application protection and programmable performance features
- Voltage margining for easy system development

Performance	Typical Values
Operating Voltage	2.8 V to 6.0 V
Output Voltages:	
SW (Adjustable)	0.8 to 5.0 V @ 3.0 A
LDO (Adjustable)	0.8 to 5.0 V @ 1.0 A
Voltage Margining	7 steps ± 1.0%
Buck Converter	
Line & Load Reg.	± 1.0%
Current Limit	4.5 A
PWM Freq. (Adjustable)	200 to 400 kHz
Operating Temp	-40°C ≤ T _A ≤ 105°C

**For More Information On This Product,
Go to: www.freescale.com**

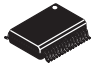
33702 Internal Block Diagram



Freescale Semiconductor, Inc.

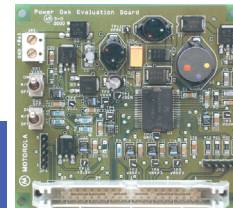
Protection	Detect	Limiting	Shut Down	Auto Recovery
Input Under Voltage	•		•	
Output Over Voltage	•	•		
Output Under Voltage	•		•	
Over Current/SC	•	•	•	•
Over Temperature	•		•	•

**For More Information On This Product,
Go to: www.freescale.com**

Ordering Information	Package	Ship Method	Motorola Part Number
	32 SOICW	Rail T/R	**33702DWB **33702DWBR2
Data Sheet Order Number			MC33702/D
Contact Sales for Evaluation Kit Availability			
**Prefix Index: PC = Eng Samples; XC = In Qual; MC = Production			

QUESTIONS

- Do you need an accurate power management IC to power an advanced micro-processor?
- Do you have little PC board space available for power management?
- Are you looking for an easy-to-design power management IC with protection and operating features that can be performance programmed?



How to reach us:

USA/EUROPE/Locations Not Listed: Motorola Literature Distribution;
P.O. Box 5405, Denver, Colorado 80217
1-800-521-6274 or 480-768-2130

JAPAN: Motorola Japan Ltd.; SPS, Technical Information Center,
3-20-1, Minami-Azabu, Minato-ku, Tokyo 106-8573 Japan
81-3-3440-3569

ASIA/PACIFIC: Motorola Semiconductors H.K. Ltd.; Silicon Harbour Centre,
2 Dai King Street, Tai Po Industrial Estate, Tai Po, N.T., Hong Kong
852-26668334

HOME PAGE: <http://motorola.com/semiconductors>



MOTOROLA and the Stylized M Logo are registered in the U.S. Patent and Trademark Office. All other product or service names are the property of their respective owners. Motorola, Inc. is an Equal Opportunity Affirmative Action Employer
© Motorola, Inc. 2003

MC33702FS/D
Rev. 1

**For More Information On This Product,
Go to: www.freescale.com**