



### COMPARATOR

- Programmable Hysteresis and Response Time
- Configurable as Wake-up or Reset Source
- Low Current (0.4uA)

### ON-CHIP DEBUG

- On-Chip Debug Circuitry Facilitates Full Speed, Non-Intrusive In-System Debug (No Emulator Required!)
- Provides Breakpoints, Single Stepping, Watchpoints
- Inspect/Modify Memory, Registers, and Stack
- Superior Performance to Emulation Systems Using ICE-Chips, Target Pods, and Sockets
- Low Cost, **Complete** Development Kit

### SUPPLY VOLTAGE .....2.7V to 3.6V

- Typical Operating Current: 5.8mA @ 25MHz  
11uA @ 32kHz
- Typical Stop Mode Current: <0.1uA

Temperature Range: -40°C to +85°C

### HIGH SPEED 8051 µC Core

- Pipe-lined Instruction Architecture; Executes 70% of Instructions in 1 or 2 System Clocks
- Up to 25MIPS Throughput with 25MHz Clock
- Expanded Interrupt Handler

### MEMORY

- 256 Bytes Internal Data RAM
- 2k Bytes FLASH; In-System Programmable in 512 byte Sectors

### DIGITAL PERIPHERALS

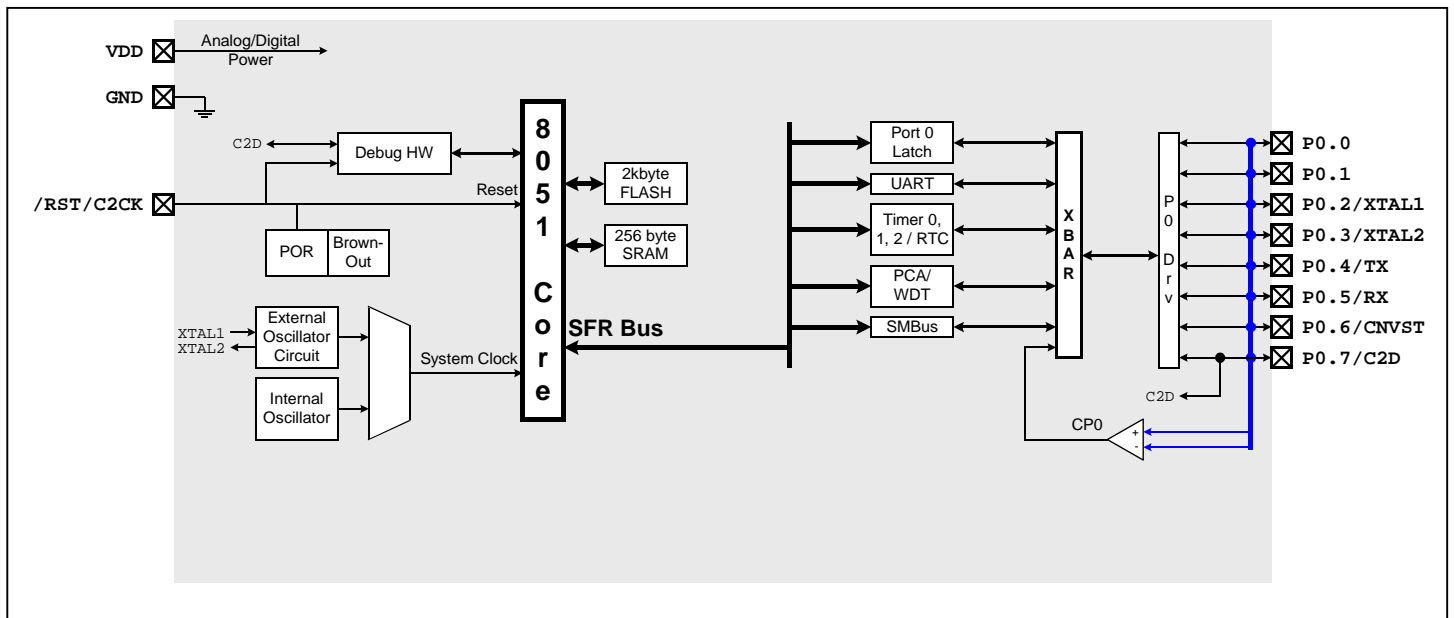
- 8 Port I/O; All 5V tolerant with High Sink Current
- Enhanced Hardware UART and SMBus™ Serial Ports
- Three General Purpose 16-Bit Counter/Timers
- 16-bit Programmable Counter Array with Three Capture/Compare Modules, WDT
- Real Time Clock Mode using PCA or Timer and External Clock Source

### CLOCK SOURCES

- Internal Oscillator: 20MHz Nominal
- External Oscillator: Crystal, RC, C, or Clock (1 or 2 Pin Modes)
- Can Switch Between Clock Sources on-the-fly; Useful in Power Saving Modes

### 11-Pin Micro Lead Package

- 3 x 3mm PCB Footprint; Actual MLP Size 
- SMBus is a trademark of Intel Corp.





# C8051F305

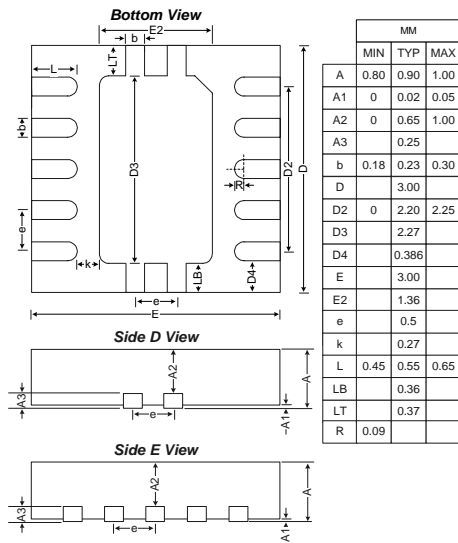
2KB Flash, 256 RAM, 11-Pin MCU

PRELIMINARY

**SELECTED ELECTRICAL SPECIFICATIONS**  $T_A = -40^{\circ}\text{C}$  to  $+85^{\circ}\text{C}$ ,  $V_{DD} = 2.7\text{V}$  unless otherwise specified.

PARAMETER	CONDITIONS	MIN	TYP	MAX	UNITS
<b>GLOBAL CHARACTERISTICS</b>					
Supply Voltage		2.7		3.6	V
Supply Current with CPU active	Clock=25MHz		5.8		mA
	Clock=1MHz		0.34		mA
	Clock=32kHz; VDD Monitor Disabled		11		$\mu\text{A}$
Supply Current (shutdown)	Oscillator off; VDD Monitor Enabled		10		$\mu\text{A}$
	Oscillator off; VDD Monitor Disabled		<0.1		$\mu\text{A}$
Clock Frequency Range		DC		25	MHz
<b>INTERNAL OSCILLATOR</b>					
Frequency		15.0	20.0	25.0	MHz
<b>COMPARATOR</b>					
Response Time Mode0	$(\text{CP}+) - (\text{CP}-) = 100\text{mV}$		0.1		$\mu\text{s}$
Current Consumption Mode0			7.6		$\mu\text{A}$
Response Time Mode1	$(\text{CP}+) - (\text{CP}-) = 100\text{mV}$		0.18		$\mu\text{s}$
Current Consumption Mode1			3.2		$\mu\text{A}$
Response Time Mode2	$(\text{CP}+) - (\text{CP}-) = 100\text{mV}$		0.32		$\mu\text{s}$
Current Consumption Mode2			1.3		$\mu\text{A}$
Response Time Mode3	$(\text{CP}+) - (\text{CP}-) = 100\text{mV}$		1		$\mu\text{s}$
Current Consumption Mode3			0.4		$\mu\text{A}$

## PACKAGE INFORMATION



## C8051F300DK DEVELOPMENT KIT

