

SPECIFICATION FOR LCD MODULE

Model No. TM161ABC6

| | |
|----------------------|--------------|
| Prepared by: | Date: |
| Checked by : | Date: |
| Verified by : | Date: |
| Approved by: | Date: |

TIANMA MICROELECTRONICS CO., LTD

REVISION RECORD

| Date | Ref. Page | Revision No. | Revision Items | Check & Approval |
|-------------|------------------|---------------------|-----------------------|-----------------------------|
| | | | | |

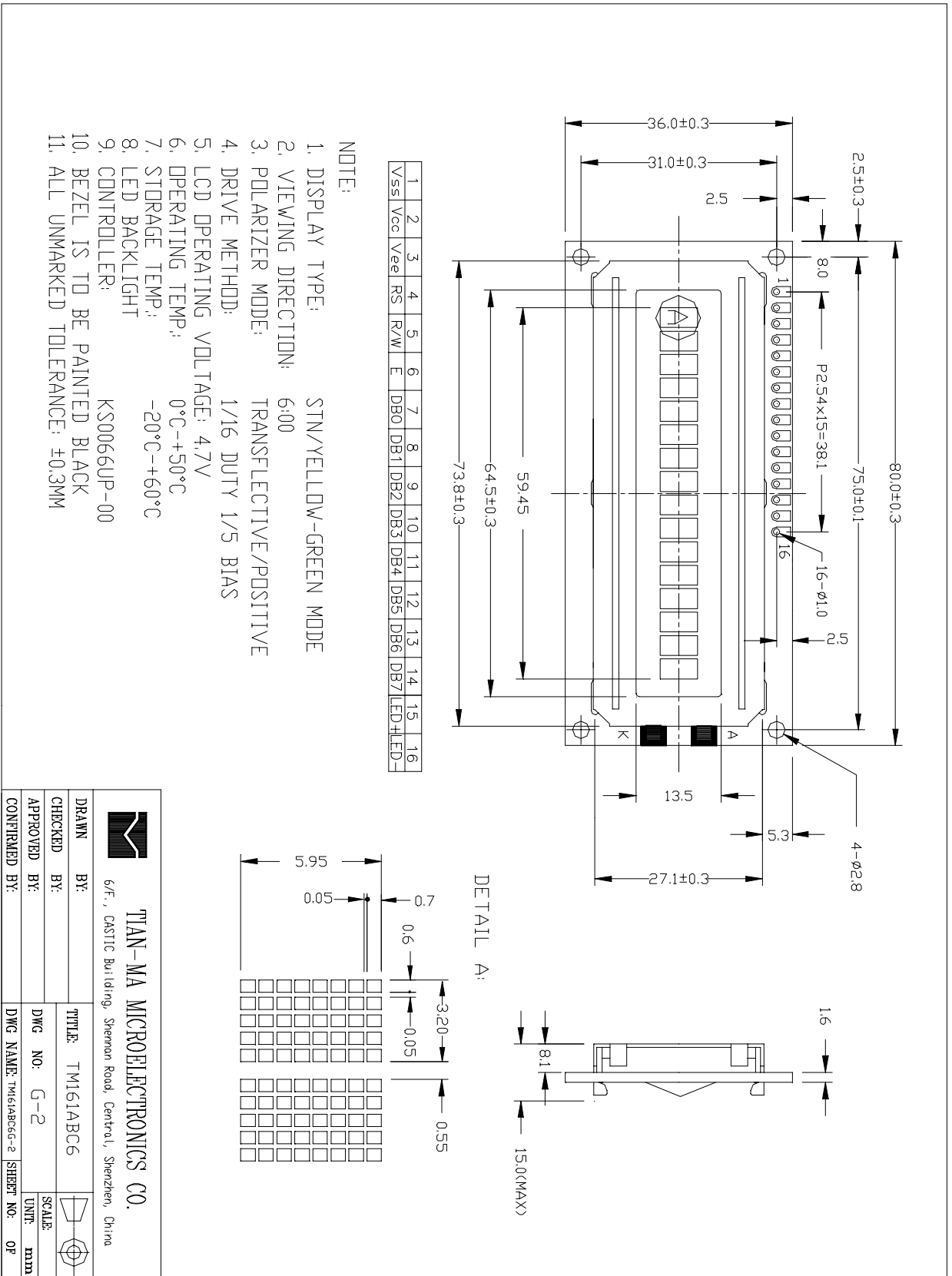
1. General Specifications:

- 1.1 Display type: STN
- 1.2 Display color*:
 - Display color: Blue-Black
 - Background: Yellow-Green
- 1.3 Polarizer mode: Transflective/Positive
- 1.4 Viewing Angle: 6:00
- 1.5 Driving Method: 1/16 Duty 1/5 Bias
- 1.6 Backlight: LED

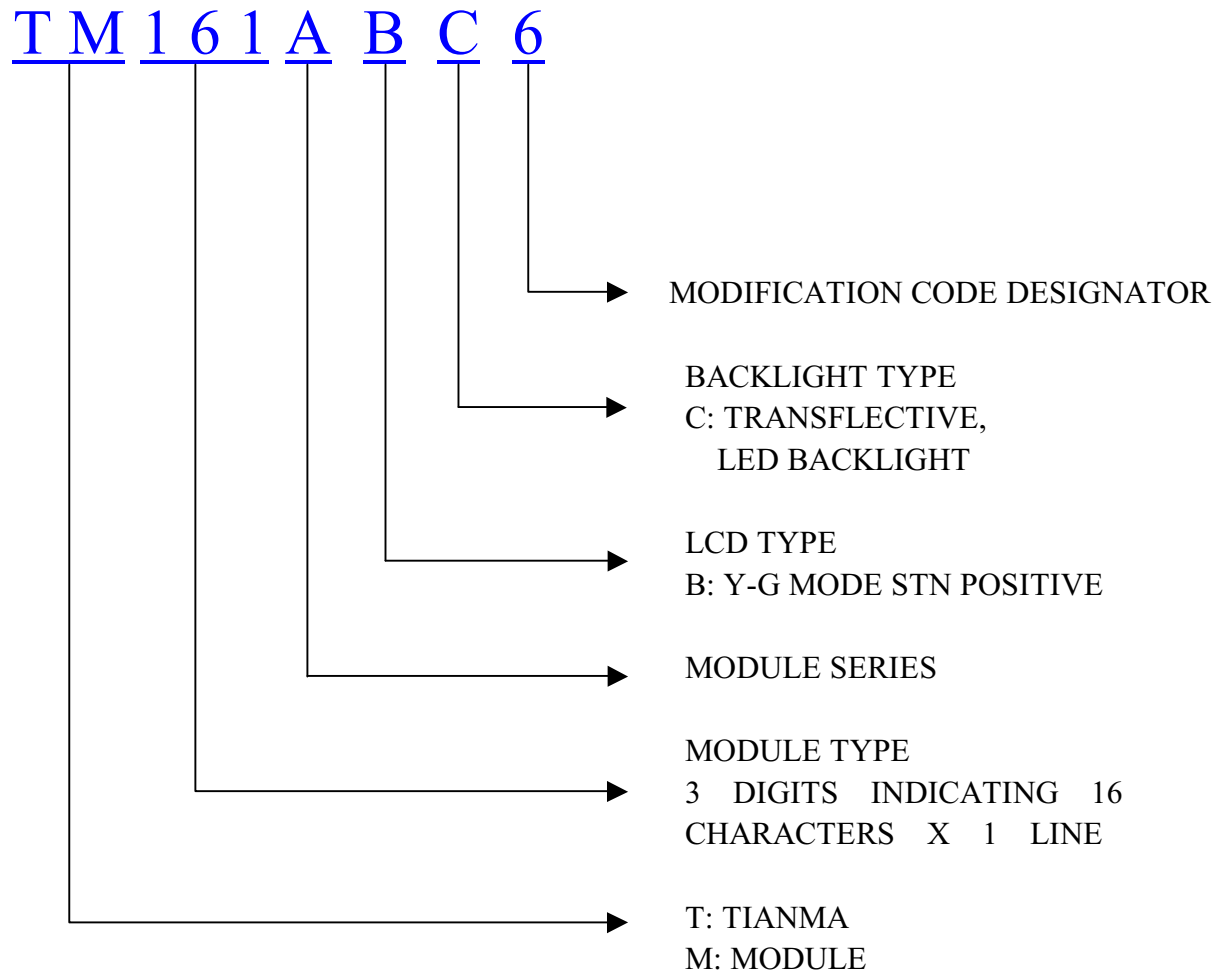
* Color tone is slightly changed by temperature and driving voltage.

- 1.7 Display Fonts: 5 x 7 dots+Cursor (1 Character)
- 1.8 Data Transfer: 8 Bit Parallel
- 1.9 Operating Temperature: 0----+50°C
 - Storage Temperature: -20----+60°C
- 1.10 Outline Dimensions: Refer to outline drawing on next page
- 1.11 Dot Matrix: 16 Characters X 1 Line
- 1.12 Dot Size: 0.6X0.7(mm)
- 1.13 Dot Pitch: 0.65X0.75 (mm)
- 1.14 Weight: 35g

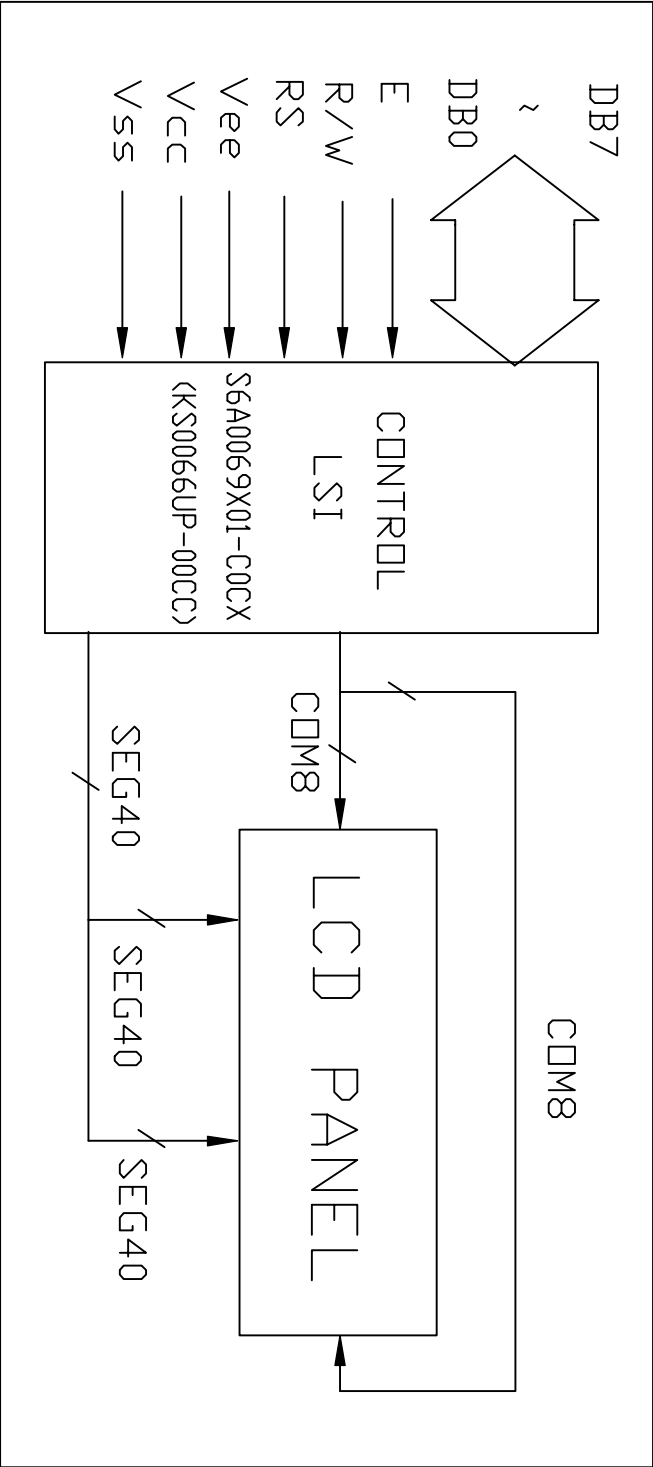
2. Outline Drawing



3. LCD Module Part Numbering System



4. Circuit Block Diagram



5. Absolute Maximum Ratings

| Item | Symbol | Min. | Max. | Unit | Remark |
|-----------------------------|-----------------|------|------|------|--------------------|
| Power Supply Voltage | $V_{DD}-V_{SS}$ | -0.3 | 7.0 | V | |
| LCD Driving Voltage | V_{LCD} | -0.3 | 13.0 | | |
| Operating Temperature Range | T_{OP} | 0 | +50 | °C | No Condensation |
| Storage Temperature Range | T_{ST} | -20 | +60 | | |

6. Electrical Specifications and Instruction Code

6.1 Electrical characteristics

| Item | Symbol | Min. | Typ. | Max. | Unit |
|-------------------------------|--------------------------------------|-------------|-------|--------------|------|
| Supply Voltage (Logic) | $V_{DD}-V_{SS}$ | 4.5 | 5.0 | 5.5 | V |
| Supply Voltage (LCD Drive) | V_{LCD} | - | 4.7 | - | V |
| Input Signal Voltage | High V_{IH} ($V_{DD}=5.0$) | $0.7V_{DD}$ | - | $V_{DD}+0.3$ | V |
| | Low V_{IL} ($V_{DD}=5.0$) | -0.3 | - | $0.2 V_{DD}$ | V |
| Supply current (Logic) | I_{DD} ($V_{DD}-V_{SS}=5.0$) | - | 1.2 | - | mA |
| Supply current (LCD Drive) | I_{EE} | - | 0.4 | - | mA |
| Supply current (LED Drive) | I_{LED} | - | 138.6 | - | mA |

6.2 Interface Signals

| Pin No. | Symbol | Level | Description |
|---------|-----------------|-------|---|
| 1 | V _{SS} | 0V | Ground |
| 2 | V _{CC} | 5.0V | Power supply voltage for logic and LCD(+) |
| 3 | V _{EE} | 0.3V | Power supply voltage for LCD(-) |
| 4 | RS | H/L | Selects registers |
| 5 | R/W | H/L | Selects read or write |
| 6 | E | H/L | Starts data read/write |
| 7 | DB0 | H/L | Data bit0 |
| 8 | DB1 | H/L | Data bit1 |
| 9 | DB2 | H/L | Data bit2 |
| 10 | DB3 | H/L | Data bit3 |
| 11 | DB4 | H/L | Data bit4 |
| 12 | DB5 | H/L | Data bit5 |
| 13 | DB6 | H/L | Data bit6 |
| 14 | DB7 | H/L | Data bit7 |
| 15 | A | 4.2V | Power supply voltage for LED(+) |
| 16 | K | 0V | Power supply voltage for LED(-) |

6.3 Interface Timing Chart

AC Characteristics($V_{DD}=4.5V\sim 5.5V, T_a=-30\sim +85^{\circ}C$)

| Mode | Characteristic | Symbol | Min. | Typ. | Max. | Unit |
|--------------------------------|---------------------------|------------|------|------|------|------|
| Write Mode (Refer to Fig-6) | E Cycle Time | t_c | 500 | - | - | ns |
| | E Rise / Fall Time | t_R, t_F | - | - | 20 | |
| | E Pulse Width (High, Low) | t_w | 230 | - | - | |
| | R/W and RS Setup Time | t_{su1} | 40 | - | - | |
| | R/W and RS Hold Time | t_{H1} | 10 | - | - | |
| | Data Setup Time | t_{su2} | 80 | - | - | |
| | Data Hold Time | t_{H2} | 10 | - | - | |
| Read Mode (Refer to Fig-7) | E Cycle Time | t_c | 500 | - | - | ns |
| | E Rise / Fall Time | t_R, t_F | - | - | 20 | |
| | E Pulse Width (High, Low) | t_w | 230 | - | - | |
| | R/W and RS Setup Time | t_{su} | 40 | - | - | |
| | R/W and RS Hold Time | t_H | 10 | - | - | |
| | Data Output Delay Time | t_D | - | - | 120 | |
| | Data Hold Time | t_{DH} | 5 | - | - | |

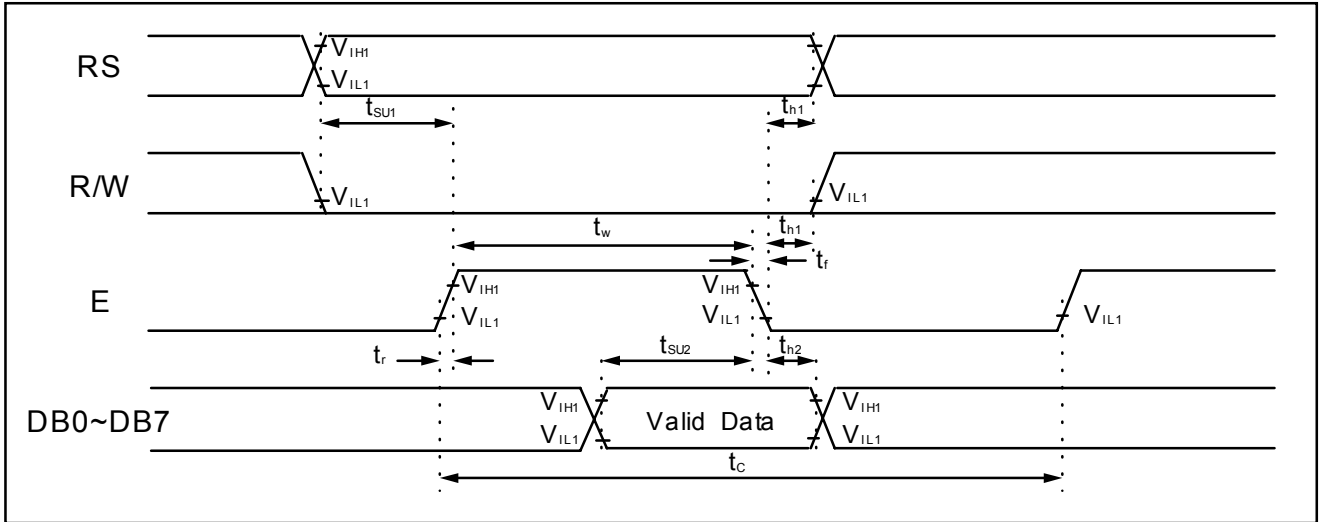


Figure 6 . Write Mode Timing Diagram

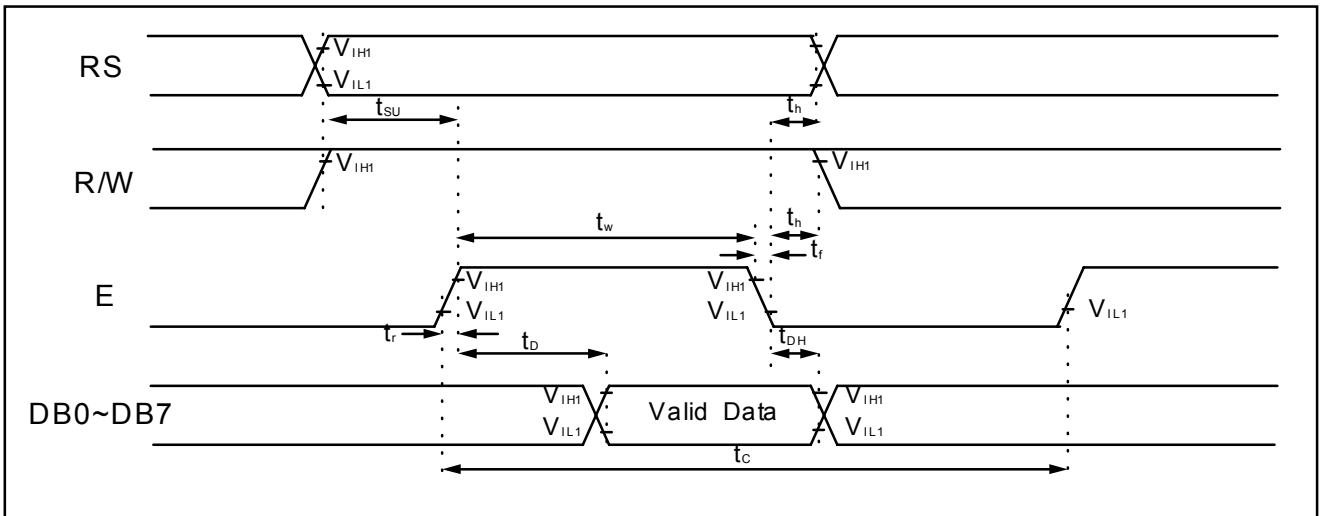


Figure 7 . Read Mode Timing Diagram

6.4 Instruction Code

Instruction Table

| Instruction | Instruction Code | | | | | | | | | | Description | Execution time (fosc=270 kHz) | |
|----------------------------|------------------|-----|-----|-----|-----|-----|-----|-----|-----|-----|---|--|---------|
| | RS | R/W | DB7 | DB6 | DB5 | DB4 | DB3 | DB2 | DB1 | DB0 | | | |
| Clear Display | 0 | 0 | 0 | 0 | 0 | 0 | 0 | 0 | 0 | 1 | Write "20H" to DDRAM and set DDRAM address to "00H" from AC | 1.53 ms | |
| Return Home | 0 | 0 | 0 | 0 | 0 | 0 | 0 | 0 | 0 | 1 | - | Set DDRAM address to "00H" from AC and return cursor to its original position if shifted. The contents of DDRAM are not changed. | 1.53 ms |
| Entry Mode Set | 0 | 0 | 0 | 0 | 0 | 0 | 0 | 0 | 1 | I/D | SH | Assign cursor moving direction and enable the shift of entire display. | 39 μs |
| Display ON/OFF Control | 0 | 0 | 0 | 0 | 0 | 0 | 0 | 1 | D | C | B | Set display(D), cursor(C), and blinking of cursor(B) on/off control bit. | 39 μs |
| Cursor or Display Shift | 0 | 0 | 0 | 0 | 0 | 0 | 1 | S/C | R/L | - | - | Set cursor moving and display shift control bit, and the direction, without changing of DDRAM data. | 39 μs |
| Function Set | 0 | 0 | 0 | 0 | 0 | 1 | DL | N | F | - | - | Set interface data length (DL: 8-bit/4-bit), numbers of display line (N: 2-line/1-line) and, display font type (F:5×11dots/5×8 dots) | 39 μs |
| Set CGRAM Address | 0 | 0 | 0 | 1 | AC5 | AC4 | AC3 | AC2 | AC1 | AC0 | | Set CGRAM address in address counter. | 39 μs |
| Set DDRAM Address | 0 | 0 | 1 | AC6 | AC5 | AC4 | AC3 | AC2 | AC1 | AC0 | | Set DDRAM address in address counter. | 39 μs |
| Read Busy Flag and Address | 0 | 1 | BF | AC6 | AC5 | AC4 | AC3 | AC2 | AC1 | AC0 | | Whether during internal operation or not can be known by reading BF. The contents of address counter can also be read. | 0 μs |
| Write Data to RAM | 1 | 0 | D7 | D6 | D5 | D4 | D3 | D2 | D1 | D0 | | Write data into internal RAM (DDRAM/CGRAM). | 43 μs |
| Read Data from RAM | 1 | 1 | D7 | D6 | D5 | D4 | D3 | D2 | D1 | D0 | | Read data from internal RAM (DDRAM/CGRAM). | 43 μs |

* "-": don't care

NOTE: When an MPU program with checking the Busy Flag(DB7) is made, it must be necessary 1/2Fosc is necessary for executing the next instruction by the falling edge of the 'E' signal after the Busy Flag (DB7) goes to "Low".

6.5 Character generator ROM(KS0066U-00)

| Upper 4bit Lower 4bit | LLLL | LLLH | LLHL | LLHH | LHLL | LHLH | LHHL | LHHH | HLLL | HLLH | HLHL | HLHH | HALL | HHLH | HHHL | HHHH |
|--------------------------------|------------------|------|------|------|------|------|------|------|------|------|------|------|------|------|------|------|
| LLLL | CG RAM (1) | | | | | | | | | | | | | | | |
| LLLH | (2) | | | | | | | | | | | | | | | |
| LLHL | (3) | | | | | | | | | | | | | | | |
| LLHH | (4) | | | | | | | | | | | | | | | |
| LHLL | (5) | | | | | | | | | | | | | | | |
| LHLH | (6) | | | | | | | | | | | | | | | |
| LHHL | (7) | | | | | | | | | | | | | | | |
| LHHH | (8) | | | | | | | | | | | | | | | |
| HLLL | (1) | | | | | | | | | | | | | | | |
| HLLH | (2) | | | | | | | | | | | | | | | |
| HLHL | (3) | | | | | | | | | | | | | | | |
| HLHH | (4) | | | | | | | | | | | | | | | |
| HALL | (5) | | | | | | | | | | | | | | | |
| HHLH | (6) | | | | | | | | | | | | | | | |
| HHHL | (7) | | | | | | | | | | | | | | | |
| HHHH | (8) | | | | | | | | | | | | | | | |

7. Optical Characteristics

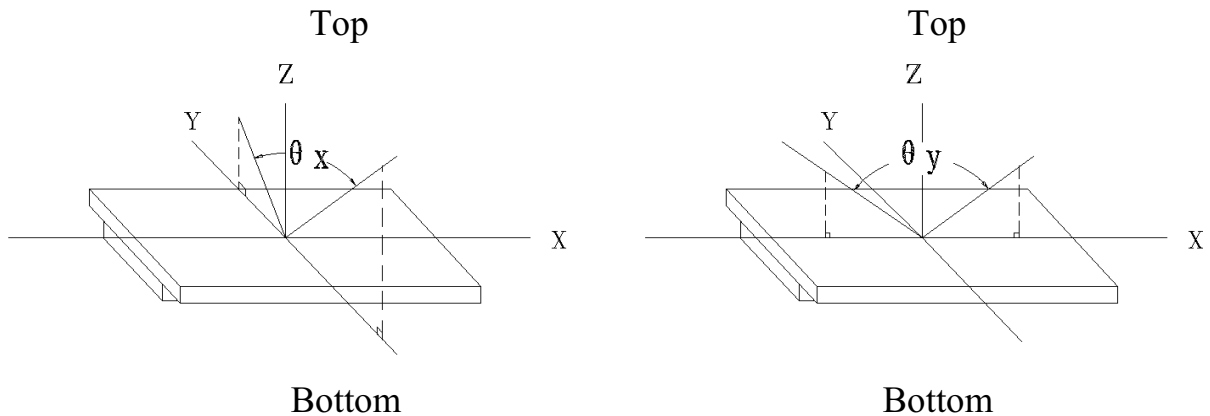
7.1 Optical Characteristics

Ta=25°C

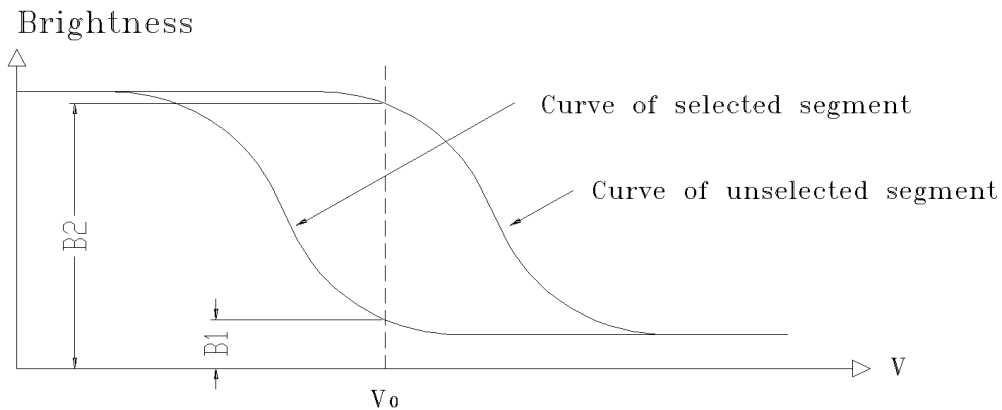
| Item | Symbol | Condition | Min. | Typ. | Max. | Unit | |
|----------------|------------|--|--|------|------|------|-----|
| Viewing Angle | θ_x | $C_r \geq 2$ | $\theta_y = 0^\circ$ | -35 | -- | 20 | Deg |
| | θ_y | | | | | | |
| Contrast Ratio | C_r | $\theta_x = 0^\circ$ $\theta_y = 0^\circ$ | 4.0 | - | - | | |
| Response Time | Turn on | T_{on} | $\theta_x = 0^\circ$ $\theta_y = 0^\circ$ | - | - | 250 | ms |
| | Turn off | T_{off} | | | | - | |

7.2 Definition of Optical Characteristics

7.2.1 Definition of Viewing Angle



7.2.2 Definition of Contrast Ratio

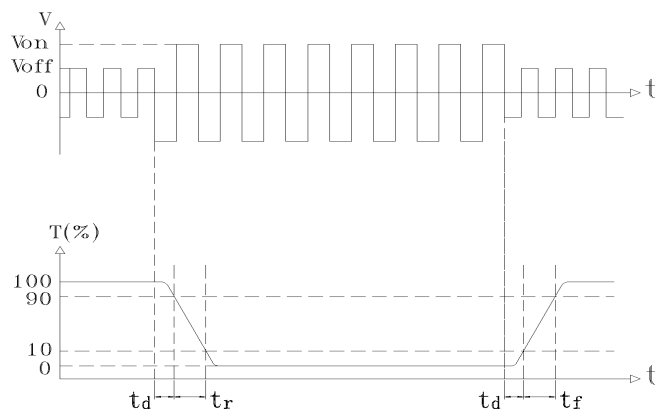


$$\text{Contrast Ratio} = B2/B1 = \frac{\text{unselected state brightness}}{\text{selected state brightness}}$$

Measuring Conditions:

- 1) Ambient Temperature: 25°C;
- 2) Frame frequency: 64Hz

7.2.3 Definition of Response time



Turn on time: $t_{on} = t_d + t_r$ Turn off time: $t_{off} = t_d + t_f$

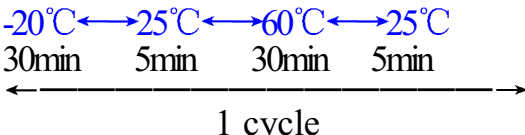
Measuring Condition:

- 1) Operating Voltage: 4.7V
- 2) Frame frequency: 64Hz

8. Reliability

8.1 Content of Reliability Test

Ta=25°C

| No. | Test Item | Content of Test | Test condition |
|-----|------------------------------------|--|---|
| 1 | High Temperature Storage | Endurance test applying the high storage temperature for a long time | 60°C 96H |
| 2 | Low Temperature Storage | Endurance test applying the low storage temperature for a long time | -20°C 96H |
| 3 | High Temperature Operation | Endurance test applying the electric stress (voltage & current) and the thermal stress to the element for a long time | 50°C 96H |
| 4 | Low Temperature Operation | Endurance test applying the electric stress under low temperature for a long time | 0°C 96H |
| 5 | High Temperature /Humidity Storage | Endurance test applying the high temperature and high humidity storage for a long time | 40°C 90%RH 96H |
| 6 | Temperature Cycle | Endurance test applying the low and high temperature cycle  | -20°C/60°C 10 cycles |
| 7 | Vibration Test (package state) | Endurance test applying the vibration during transportation | 10Hz~150Hz, 50m/s ² , 40min |
| 8 | Shock Test (package state) | Endurance test applying the shock during transportation | Half- sine wave, 100m/s ² , 11ms |
| 9 | Atmospheric Pressure Test | Endurance test applying the atmospheric pressure during transportation by air | 40kPa 16H |

8.2 Failure Judgment Criterion

| Criterion Item | Test Item No. | | | | | | | | | Failure Judgement Criterion |
|--------------------------|--|---|---|---|---|---|---|---|---|-------------------------------------|
| | 1 | 2 | 3 | 4 | 5 | 6 | 7 | 8 | 9 | |
| Basic Specification | √ | √ | √ | √ | √ | √ | √ | √ | √ | Out of the basic Specification |
| Electrical specification | √ | √ | √ | √ | √ | | | | | Out of the electrical specification |
| Mechanical Specification | | | | | | | √ | √ | | Out of the mechanical specification |
| Optical Characteristic | √ | √ | √ | √ | √ | √ | | | √ | Out of the optical specification |
| Note | For test item refer to 8.1 | | | | | | | | | |
| Remark | Basic specification = Optical specification + Mechanical specification | | | | | | | | | |

9. QUALITY LEVEL

| Examination or Test | At Ta=25°C (unless otherwise stated) | Inspection | | | | |
|---|--|----------------|------|------|----|------------------------------|
| | | Min. | Max. | Unit | IL | AQL |
| External Visual Inspection | Under normal illumination and eyesight condition, the distance between eyes and LCD is 25cm. | See Appendix A | | | II | Major 1.0 Minor 2.5 |
| Display Defects | Under normal illumination and eyesight condition, display on inspection. | See Appendix B | | | II | Major 1.0 Minor 2.5 |
| Note: Major defects: Open segment or common, Short, Serious damages, Leakage Miner defects: Others Sampling standard conforms to GB2828 | | | | | | |

10. Precautions for Use of LCD Modules

10.1 Handling Precautions

10.1.1 The display panel is made of glass. Do not subject it to a mechanical shock by dropping it from a high place, etc.

10.1.2 If the display panel is damaged and the liquid crystal substance inside it leaks out, be sure not to get any in your mouth, if the substance comes into contact with your skin or clothes, promptly wash it off using soap and water.

10.1.3 Do not apply excessive force to the display surface or the adjoining areas since this may cause the color tone to vary.

10.1.4 The polarizer covering the display surface of the LCD module is soft and easily scratched. Handle this polarizer carefully.

10.1.5 If the display surface is contaminated, breathe on the surface and gently wipe it with a soft dry cloth. If still not completely clear, moisten cloth with one of the following solvents:

- Isopropyl alcohol
- Ethyl alcohol

Solvents other than those mentioned above may damage the polarizer. Especially, do not use the following:

- Water
- Ketone
- Aromatic solvents

10.1.6 Do not attempt to disassemble the LCD Module.

10.1.7 If the logic circuit power is off, do not apply the input signals.

10.1.8 To prevent destruction of the elements by static electricity, be careful to maintain an optimum work environment.

- a. Be sure to ground the body when handling the LCD Modules.
- b. Tools required for assembly, such as soldering irons, must be properly ground.
- c. To reduce the amount of static electricity generated, do not conduct assembly and other work under dry conditions.
- d. The LCD Module is coated with a film to protect the display surface. Be care when peeling off this protective film since static electricity may be generated.

10.2 Storage precautions

10.2.1 When storing the LCD modules, avoid exposure to direct sunlight or to the light of fluorescent lamps.

10.2.2 The LCD modules should be stored under the storage temperature range. If the LCD modules will be stored for a long time, the recommend condition is:

Temperature : $0^{\circ}\text{C} \sim 40^{\circ}\text{C}$

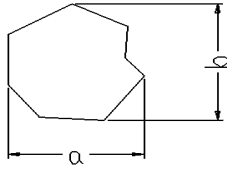
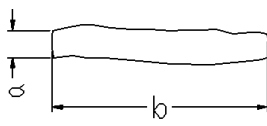
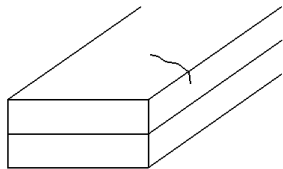
Relatively humidity: $\leq 80\%$

10.2.3 The LCD modules should be stored in the room without acid, alkali and harmful gas.

10.3 The LCD modules should be no falling and violent shocking during transportation, and also should avoid excessive press, water, damp and sunshine.

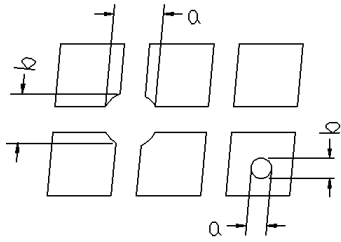
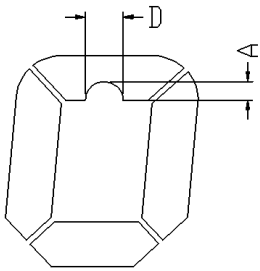
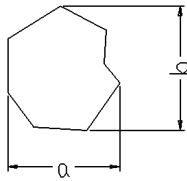
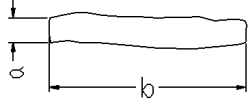
Appendix A

Inspection items and criteria for appearance defects

| Items | Contents | Criteria | | | |
|---------------------------------|---|---------------------------------|--|------------------------------|--|
| Leakage | | Not permitted | | | |
| Rainbow | | According to the limit specimen | | | |
| Polarizer | Wrong polarizer attachment | Not permitted | | | |
| | Bubble between polarizer and glass | Not counted | Max. 3 defects allowed | | |
| | | $\phi < 0.3\text{mm}$ | $0.3\text{mm} \leq \phi \leq 0.5\text{mm}$ | | |
| | Scratches of polarizer | According to the limit specimen | | | |
| Black spot (in viewing area) |  | Not counted | Max. 3 spots allowed | Max. 3 spots (lines) allowed | |
| | | $X < 0.2\text{mm}$ | $0.2\text{mm} \leq X \leq 0.5\text{mm}$ | | |
| | | $X = (a+b)/2$ | | | |
| Black line (in viewing area) |  | Not counted | Max. 3 lines allowed | | |
| | | $a < 0.02\text{mm}$ | $0.02\text{mm} \leq a \leq 0.05\text{mm}$ $b \leq 2.0\text{mm}$ | | |
| Progressive cracks |  | Not permitted | | | |

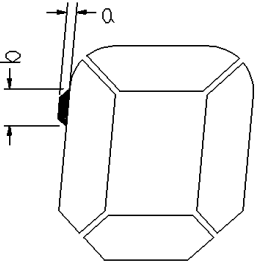
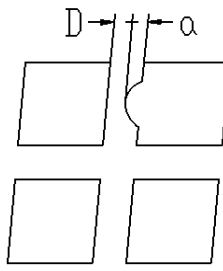
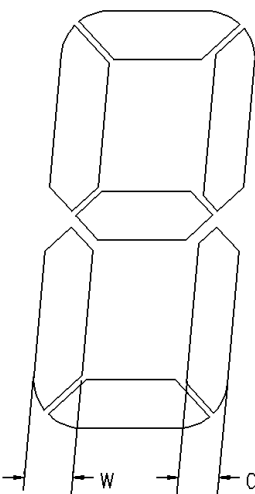
Appendix B

Inspection items and criteria for display defects

| Items | Contents | Criteria | | |
|---------------------------------------|---|--|--|-----------------------------|
| Open segment or open common | | Not permitted | | |
| Short | | Not permitted | | |
| Wrong viewing angle | | Not permitted | | |
| Contrast ratio uneven | | According to the limit specimen | | |
| Crosstalk | | According to the limit specimen | | |
| Pin holes and cracks in segment (DOT) |  | Not counted | Max.3 dots allowed | Max.3 dots allowed |
| | | $X < 0.1\text{mm}$ | $0.1\text{mm} \leq X \leq 0.2\text{mm}$ | |
| | | $X = (a+b)/2$ | | |
| |  | Not counted | Max.2 dots allowed | |
| $A < 0.1\text{mm}$ | | $0.1\text{mm} \leq A \leq 0.2\text{mm}$ $D < 0.25\text{mm}$ | | |
| Black spot (in viewing area) |  | Not counted | Max.3 spots allowed | Max.3 spots (lines) allowed |
| | | $X < 0.1\text{mm}$ | $0.1\text{mm} \leq X \leq 0.2\text{mm}$ | |
| | | $X = (a+b)/2$ | | |
| Black line (in viewing area) |  | Not counted | Max.3 lines allowed | |
| | | $a < 0.02\text{mm}$ | $0.02\text{mm} \leq a \leq 0.05\text{mm}$ $b \leq 0.5\text{mm}$ | |

Appendix B

Inspection items and criteria for display defects (continued)

| Items | Content | Criteria | | | |
|---------------------------|---|---|------------------------|-----------------------|--|
| Transformation of segment |  | Not counted | Max. 2 defects allowed | Max.3 defects allowed | |
| | $x < 0.1\text{mm}$ | $0.1\text{mm} \leq x \leq 0.2\text{mm}$ | | | |
| | $x = (a+b)/2$ | | | | |
| |  | Not counted | Max. 1 defects allowed | | |
| | $a < 0.1\text{mm}$ | $0.1\text{mm} \leq a \leq 0.2\text{mm}$ $D > 0$ | | | |
| |  | Max.2 defects allowed $0.8W \leq a \leq 1.2W$ $a = \text{measured value of width}$ $W = \text{nominal value of width}$ | | | |