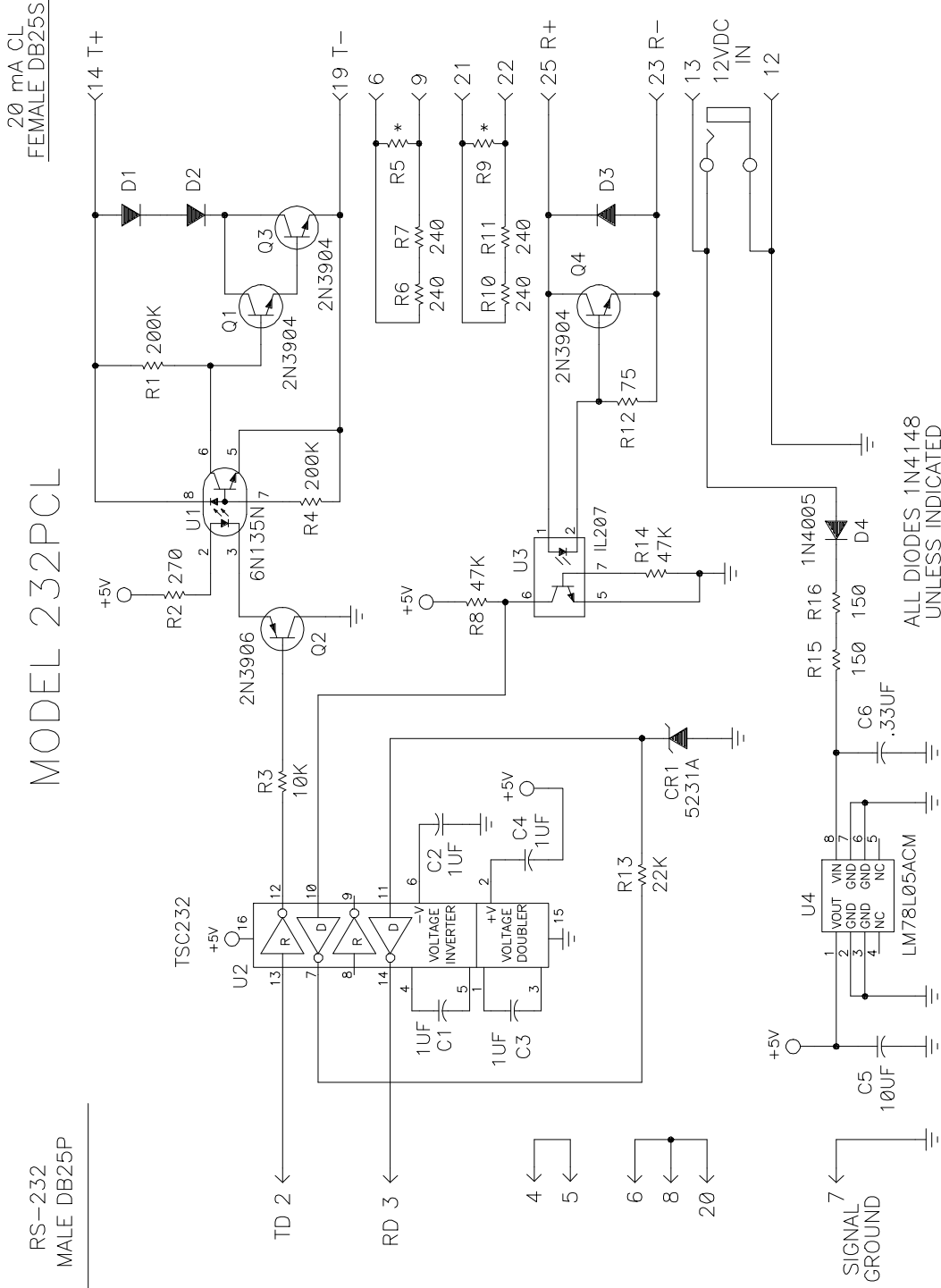
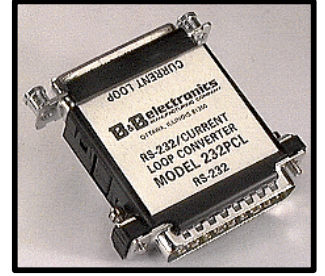


RS-232 to Current Loop Converter Model 232PCL

Document No. 232PCL2895



© 1992 B&B Electronics -- Revised April 1995

This datasheet has been downloaded from:

www.DatasheetCatalog.com

Datasheets for electronic components.