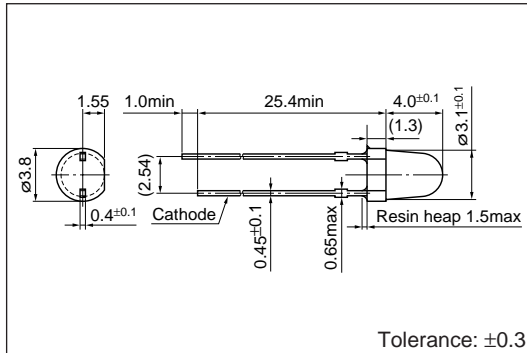


3 ϕ Round Narrow-directivity LED

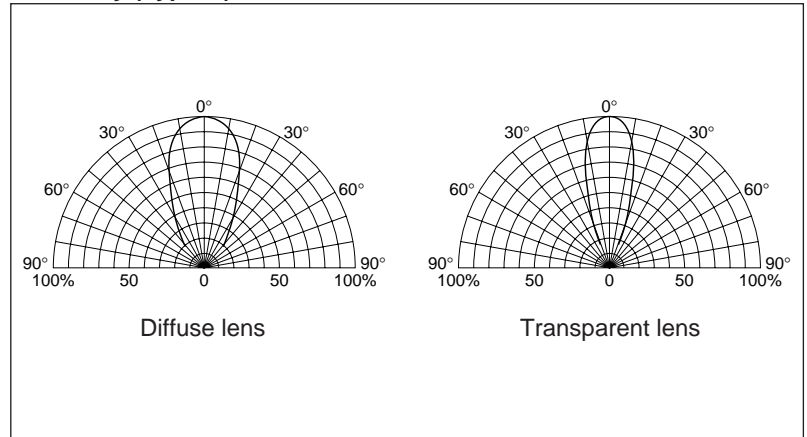
SEL2015 Series

External Dimensions

(Unit: mm)



Directivity (Typical)



Absolute maximum ratings (Ta=25°C)

Symbol	Unit	Rating	Condition
I_F	mA	30	
ΔI_F	mA/°C	-0.45	Above 25°C
I_{FP}	mA	100	f=1kHz, $t_w \leq 100\mu s$
V_R	V	3	
Top	°C	-30 to +85	
Tstg	°C	-30 to +100	

Electrical Optical characteristics (Ta=25°C)

Emitting color	Part Number	Lens color	Forward voltage		Reverse current		Intensity		Peak wavelength		Spectrum half width		Chip material		
			V_F (V)		I_R (μA)	Condition V_R (V)	I_v (mcd)	Condition I_F (mA)	λ_P (nm)	Condition I_F (mA)	$\Delta\lambda$ (nm)	Condition I_F (mA)			
			typ	max										Condition I_F (mA)	typ
Red	SEL2215S	Transparent red	1.9	2.5	10	50	3	45	20	630	10	35	10	GaAsP	
	SEL2215R	Diffused red						38							
Amber	SEL2815A	Transparent orange	1.9	2.5	10	50	3	80	10	610	10	35	10		
	SEL2815D	Diffused orange						60							
Orange	SEL2915A	Transparent orange	1.9	2.5	10	50	3	81	10	587	10	33	10		
	SEL2915D	Diffused orange						53							
Yellow	SEL2715K	Transparent yellow	2.0	2.5	10	50	3	130	10	570	10	30	10		
	SEL2715Y	Diffused yellow						110							
Green	SEL2415E	Transparent green	2.0	2.5	10	50	3	110	20	560	10	20	10		
	SEL2415G	Diffused green						72							
Pure green	SEL2515C	Clear	2.0	2.5	10	50	3	52	20	555	10	20	10		GaP