

## M68HC11 KA Series

# Technical Summary

## 8-Bit Microcontroller

### 1 Introduction

The MC68HC11KA4 family of microcontrollers are enhanced derivatives of the MC68HC11F1 and, as shown in the block diagram, include many additional features. The family includes the MC68HC11KA0, MC68HC11KA1, MC68HC11KA3, MC68HC11KA4, MC68HC711KA4, MC68HC11KA2, and the MC68HC711KA2. These MCUs, with a non-multiplexed expanded bus, are characterized by high speed and low power consumption. The fully static design allows operation at frequencies from 4 MHz to dc.

This technical summary contains information concerning standard, custom-ROM, and extended-voltage devices. Standard devices are those with disabled ROM (MC68HC11KA1), disabled EEPROM (MC68HC11KA0), and EPROM replacing ROM (MC68HC711KA4). The MC68HC11KA2 and MC68HC711KA2 contain 32 Kbytes of ROM/EPROM instead of 24 Kbytes. Custom-ROM devices have a ROM array that is programmed at the factory to customer specifications. Extended-voltage devices are guaranteed to operate over a much greater voltage range (3.0 Vdc to 5.5 Vdc) at lower frequencies than the standard devices. Refer to the ordering information on the following pages.

In this summary, ROM/EPROM refers to ROM for ROM-based devices and refers to EPROM for EPROM-based devices.

### 1.1 Features

- M68HC11 Central Processing Unit (CPU)
- Power Saving STOP and WAIT Modes
- 768 Bytes RAM in MC68HC11KA4, 1024 Bytes RAM in MC68HC11KA2 (Saved During Standby)
- 640 Bytes Electrically Erasable Programmable ROM (EEPROM)
- 24 Kbytes ROM/EPROM, 32 Kbytes ROM/EPROM in MC68HC11KA2
- PROG Mode Allows Use of Standard EPROM Programmer (27256 Footprint)
- Non-multiplexed Address and Data Buses
- Enhanced 16-Bit Timer with Four-Stage Programmable Prescaler
  - Three Input Capture (IC) Channels
  - Four Output Compare (OC) Channels
  - One Additional Channel, Selectable as Fourth IC or Fifth OC
- 8-Bit Pulse Accumulator
- Four 8-Bit or Two 16-Bit Pulse-Width Modulation (PWM) Timer Channels
- Real-Time Interrupt Circuit
- Computer Operating Properly (COP) Watchdog
- Enhanced Asynchronous Nonreturn to Zero (NRZ) Serial Communications Interface (SCI)
- Enhanced Synchronous Serial Peripheral Interface (SPI)
- Eight-Channel 8-Bit Analog-to-Digital (A/D) Converter (Four Channels on 64-Pin Version)
- Seven Bidirectional Input/Output (I/O) Ports (43 Pins)
- One Fixed Input-Only Port (8 Pins, 4 Pins on 64-Pin Version)
- Available in 68-Pin Plastic Leaded Chip Carrier (Custom ROM/OTPROM), 68-Pin Windowed Ceramic Leaded Chip Carrier (EPROM), or 64-Pin Quad Flat Pack (Custom ROM/OTPROM)

This document contains information on a new product. Specifications and information herein are subject to change without notice.



**Table 1 Standard Device Ordering Information**

Package	Temperature	CONFIG	Description	Frequency	MC Order Number
68-Pin Plastic Leaded Chip Carrier	-40°to + 85°C	\$DF	BUFFALO ROM	4 MHz	MC68HC11KA4BCFN4
	-40°to + 85°C	\$DD	No ROM	2 MHz	MC68HC11KA1CFN2
				3 MHz	MC68HC11KA1CFN3
				4 MHz	MC68HC11KA1CFN4
	-40°to + 105°C	\$DD	No ROM	2 MHz	MC68HC11KA1VFN2
				3 MHz	MC68HC11KA1VFN3
				4 MHz	MC68HC11KA1VFN4
	-40°to + 125°C	\$DD	No ROM	2 MHz	MC68HC11KA1MFN2
				3 MHz	MC68HC11KA1MFN3
				4 MHz	MC68HC11KA1MFN4
	-40°to + 85°C	\$DC	No ROM, No EEPROM	2 MHz	MC68HC11KA0CFN2
				3 MHz	MC68HC11KA0CFN3
				4 MHz	MC68HC11KA0CFN4
	-40°to + 105°C	\$DC	No ROM, No EEPROM	2 MHz	MC68HC11KA0VFN2
				3 MHz	MC68HC11KA0VFN3
				4 MHz	MC68HC11KA0VFN4
	-40°to + 125°C	\$DC	No ROM, No EEPROM	2 MHz	MC68HC11KA0MFN2
				3 MHz	MC68HC11KA0MFN3
				4 MHz	MC68HC11KA0MFN4
	-40°to + 85°C	\$DF	24 Kbytes OTPROM	2 MHz	MC68HC711KA4CFN2
				3 MHz	MC68HC711KA4CFN3
				4 MHz	MC68HC711KA4CFN4
	-40°to + 105°C	\$DF	24 Kbytes OTPROM	2 MHz	MC68HC711KA4VFN2
				3 MHz	MC68HC711KA4VFN3
				4 MHz	MC68HC711KA4VFN4
	-40°to + 125°C	\$DF	24 Kbytes OTPROM	2 MHz	MC68HC711KA4MFN2
				3 MHz	MC68HC711KA4MFN3
				4 MHz	MC68HC711KA4MFN4
	-40°to + 85°C	\$DF	32 Kbytes OTPROM	2 MHz	MC68HC711KA2CFN2
				3 MHz	MC68HC711KA2CFN3
				4 MHz	MC68HC711KA2CFN4
	-40°to + 105°C	\$DF	32 Kbytes OTPROM	2 MHz	MC68HC711KA2VFN2
				3 MHz	MC68HC711KA2VFN3
				4 MHz	MC68HC711KA2VFN4
	-40°to + 125°C	\$DF	32 Kbytes OTPROM	2 MHz	MC68HC711KA2MFN2
				3 MHz	MC68HC711KA2MFN3
				4 MHz	MC68HC711KA2MFN4

**Table 1 Standard Device Ordering Information (Continued)**

Package	Temperature	CONFIG	Description	Frequency	MC Order Number	
64-Pin Quad Flat Pack	-40°to + 85°C	\$DF	BUFFALO ROM	4 MHz	MC68HC11KA4BCFU4	
				24 Kbytes OTPROM	2 MHz	MC68HC711KA4CFU2
					3 MHz	MC68HC711KA4CFU3
	-40°to + 85°C	\$DF	24 Kbytes OTPROM	4 MHz	MC68HC711KA4CFU4	
				24 Kbytes OTPROM	2 MHz	MC68HC711KA4VFU2
					3 MHz	MC68HC711KA4VFU3
	-40°to + 105°C	\$DF	24 Kbytes OTPROM	4 MHz	MC68HC711KA4VFU4	
				24 Kbytes OTPROM	2 MHz	MC68HC711KA4MFU2
					3 MHz	MC68HC711KA4MFU3
	-40°to + 125°C	\$DF	24 Kbytes OTPROM	4 MHz	MC68HC711KA4MFU4	
				32 Kbytes OTPROM	2 MHz	MC68HC711KA2CFU2
					3 MHz	MC68HC711KA2CFU3
	-40°to + 85°C	\$DF	32 Kbytes OTPROM	4 MHz	MC68HC711KA2CFU4	
				32 Kbytes OTPROM	2 MHz	MC68HC711KA2VFU2
					3 MHz	MC68HC711KA2VFU3
	-40°to + 105°C	\$DF	32 Kbytes OTPROM	4 MHz	MC68HC711KA2VFU4	
				32 Kbytes OTPROM	2 MHz	MC68HC711KA2MFU2
					3 MHz	MC68HC711KA2MFU3
	-40°to + 125°C	\$DF	32 Kbytes OTPROM	4 MHz	MC68HC711KA2MFU4	
				No ROM	2 MHz	MC68HC11KA1CFU2
					3 MHz	MC68HC11KA1CFU3
	-40°to + 85°C	\$DD	No ROM	4 MHz	MC68HC11KA1CFU4	
				No ROM	2 MHz	MC68HC11KA1VFU2
					3 MHz	MC68HC11KA1VFU3
-40°to + 105°C	\$DD	No ROM	4 MHz	MC68HC11KA1VFU4		
			No ROM, No EEPROM	2 MHz	MC68HC11KA0CFU2	
				3 MHz	MC68HC11KA0CFU3	
-40°to + 85°C	\$DC	No ROM, No EEPROM	4 MHz	MC68HC11KA0CFU4		
			No ROM, No EEPROM	2 MHz	MC68HC11KA0VFU2	
				3 MHz	MC68HC11KA0VFU3	
-40°to + 105°C	\$DC	No ROM, No EEPROM	4 MHz	MC68HC11KA0VFU4		

**Table 1 Standard Device Ordering Information (Continued)**

Package	Temperature	CONFIG	Description	Frequency	MC Order Number
68-Pin Cerquad	-40°to + 85°C	\$DF	24 Kbytes EPROM	2 MHz	MC68HC711KA4CFS2
				3 MHz	MC68HC711KA4CFS3
				4 MHz	MC68HC711KA4CFS4
	-40°to + 105°C	\$DF	24 Kbytes EPROM	2 MHz	MC68HC711KA4VFS2
				3 MHz	MC68HC711KA4VFS3
				4 MHz	MC68HC711KA4VFS4
	-40°to + 125°C	\$DF	24 Kbytes EPROM	2 MHz	MC68HC711KA4MFS2
				3 MHz	MC68HC711KA4MFS3
				4 MHz	MC68HC711KA4MFS4
	-40°to + 85°C	\$DF	32 Kbytes EPROM	2 MHz	MC68HC711KA2CFS2
				3 MHz	MC68HC711KA2CFS3
				4 MHz	MC68HC711KA2CFS4
	-40°to + 105°C	\$DF	32 Kbytes EPROM	2 MHz	MC68HC711KA2VFS2
				3 MHz	MC68HC711KA2VFS3
				4 MHz	MC68HC711KA2VFS4
-40°to + 125°C	\$DF	32 Kbytes EPROM	2 MHz	MC68HC711KA2MFS2	
			3 MHz	MC68HC711KA2MFS3	
			4 MHz	MC68HC711KA2MFS4	

**Table 2 Custom ROM Device Ordering Information**

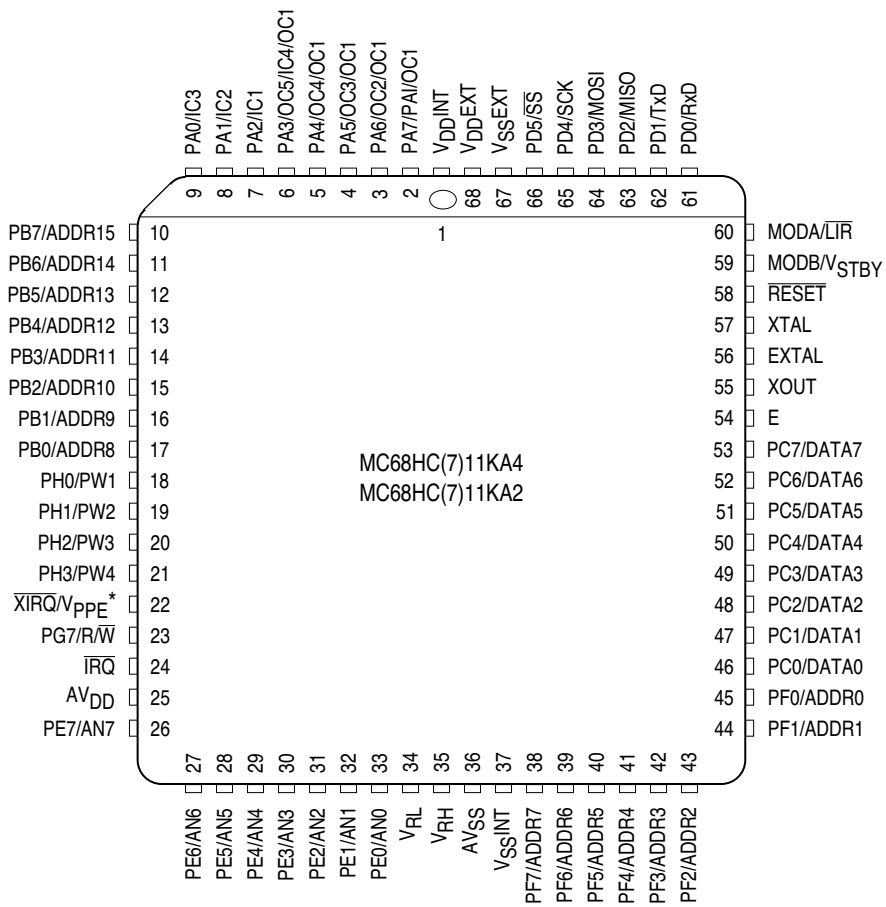
Package	Temperature	Description	Frequency	MC Order Number
68-Pin Plastic Leaded Chip Carrier	-40°to + 85°C	24 Kbytes Custom ROM	2 MHz	MC68HC11KA4CFN2
			3 MHz	MC68HC11KA4CFN3
			4 MHz	MC68HC11KA4CFN4
	-40°to + 105°C	24 Kbytes Custom ROM	2 MHz	MC68HC11KA4VFN2
			3 MHz	MC68HC11KA4VFN3
			4 MHz	MC68HC11KA4VFN4
	-40°to + 125°C	24 Kbytes Custom ROM	2 MHz	MC68HC11KA4MFN2
			3 MHz	MC68HC11KA4MFN3
			4 MHz	MC68HC11KA4MFN4
	-40°to + 85°C	32 Kbytes Custom ROM	2 MHz	MC68HC11KA2CFN2
			3 MHz	MC68HC11KA2CFN3
			4 MHz	MC68HC11KA2CFN4
	-40°to + 105°C	32 Kbytes Custom ROM	2 MHz	MC68HC11KA2VFN2
			3 MHz	MC68HC11KA2VFN3
			4 MHz	MC68HC11KA2VFN4
	-40°to + 125°C	32 Kbytes Custom ROM	2 MHz	MC68HC11KA2MFN2
			3 MHz	MC68HC11KA2MFN3
			4 MHz	MC68HC11KA2MFN4
	-40°to + 85°C	24 Kbytes Custom ROM, No EEPROM	2 MHz	MC68HC11KA3CFN2
			3 MHz	MC68HC11KA3CFN3
			4 MHz	MC68HC11KA3CFN4
	-40°to + 105°C	24 Kbytes Custom ROM, No EEPROM	2 MHz	MC68HC11KA3VFN2
			3 MHz	MC68HC11KA3VFN3
			4 MHz	MC68HC11KA3VFN4
-40°to + 125°C	24 Kbytes Custom ROM, No EEPROM	2 MHz	MC68HC11KA3MFN2	
		3 MHz	MC68HC11KA3MFN3	
		4 MHz	MC68HC11KA3MFN4	

**Table 2 Custom ROM Device Ordering Information (Continued)**

Package	Temperature	Description	Frequency	MC Order Number
64-Pin Quad Flat Pack	-40°to + 85°C	24 Kbytes Custom ROM	2 MHz	MC68HC11KA4CFU2
			3 MHz	MC68HC11KA4CFU3
			4 MHz	MC68HC11KA4CFU4
	-40°to + 105°C	24 Kbytes Custom ROM	2 MHz	MC68HC11KA4VFU2
			3 MHz	MC68HC11KA4VFU3
			4 MHz	MC68HC11KA4VFU4
	-40°to + 85°C	32 Kbytes Custom ROM	2 MHz	MC68HC11KA2CFU2
			3 MHz	MC68HC11KA2CFU3
			4 MHz	MC68HC11KA2CFU4
	-40°to + 105°C	32 Kbytes Custom ROM	2 MHz	MC68HC11KA2VFU2
			3 MHz	MC68HC11KA2VFU3
			4 MHz	MC68HC11KA2VFU4
	-40°to + 85°C	24 Kbytes Custom ROM, No EEPROM	2 MHz	MC68HC11KA3CFU2
			3 MHz	MC68HC11KA3CFU3
			4 MHz	MC68HC11KA3CFU4
	-40°to + 105°C	24 Kbytes Custom ROM, No EEPROM	2 MHz	MC68HC11KA3VFU2
			3 MHz	MC68HC11KA3VFU3
			4 MHz	MC68HC11KA3VFU4

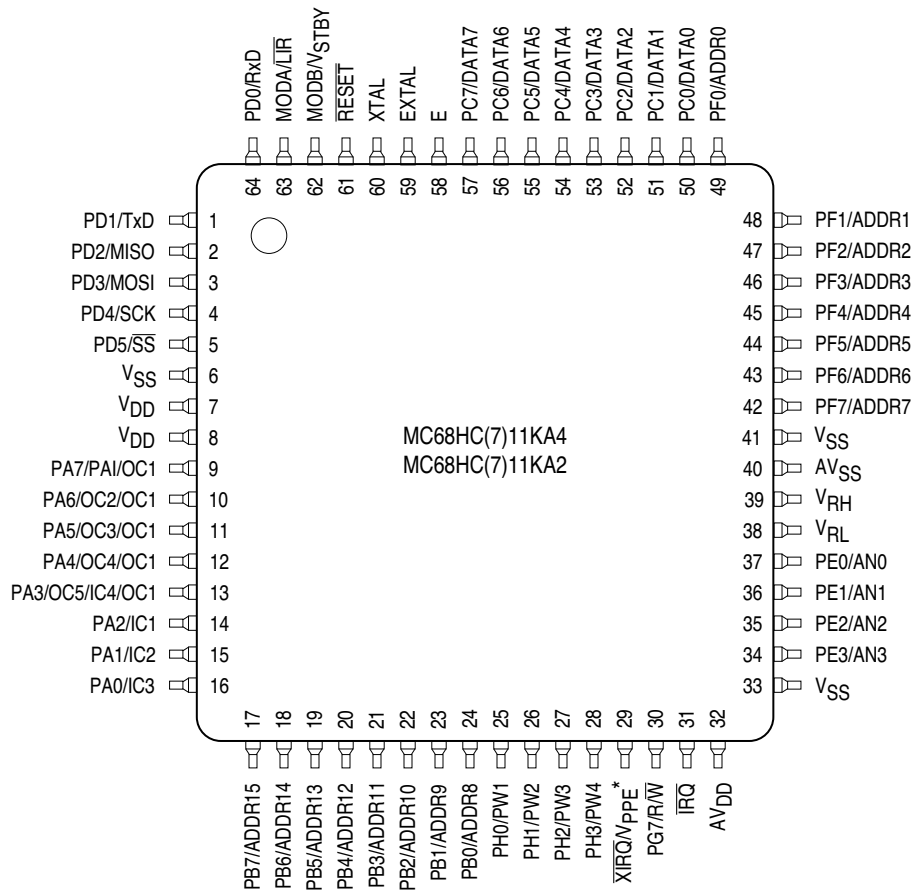
**Table 3 Extended Voltage (3.0 Vdc to 5.5 Vdc) Device Ordering Information**

Package	Temperature	Description	Frequency	MC Order Number		
68-Pin Plastic Leaded Chip Carrier	-20°to + 70°C	24 Kbytes Custom ROM	1 MHz	MC68L11KA4FN1		
			3 MHz	MC68L11KA4FN3		
		32 Kbytes Custom ROM	1 MHz	MC68L11KA2FN1		
			3 MHz	MC68L11KA2FN3		
		No ROM	1 MHz	MC68L11KA1FN1		
			3 MHz	MC68L11KA1FN3		
		No ROM, No EEPROM	1 MHz	MC68L11KA0FN1		
			3 MHz	MC68L11KA0FN3		
		24 Kbytes Custom ROM, No EEPROM	1 MHz	MC68L11KA3FN1		
			3 MHz	MC68L11KA3FN3		
		64-Pin Quad Flat Pack	-20°to + 70°C	24 Kbytes Custom ROM	1 MHz	MC68L11KA4FU1
					3 MHz	MC68L11KA4FU3
32 Kbytes Custom ROM	1 MHz			MC68L11KA2FU1		
	3 MHz			MC68L11KA2FU3		
No ROM	1 MHz			MC68L11KA1FU1		
	3 MHz			MC68L11KA1FU3		
No ROM, No EEPROM	1 MHz			MC68L11KA0FU1		
	3 MHz			MC68L11KA0FU3		
24 Kbytes Custom ROM, No EEPROM	1 MHz			MC68L11KA3FU1		
	3 MHz			MC68L11KA3FU3		



\* V<sub>PPE</sub> applies to MC68HC711KA4 and MC68HC711KA2 only.

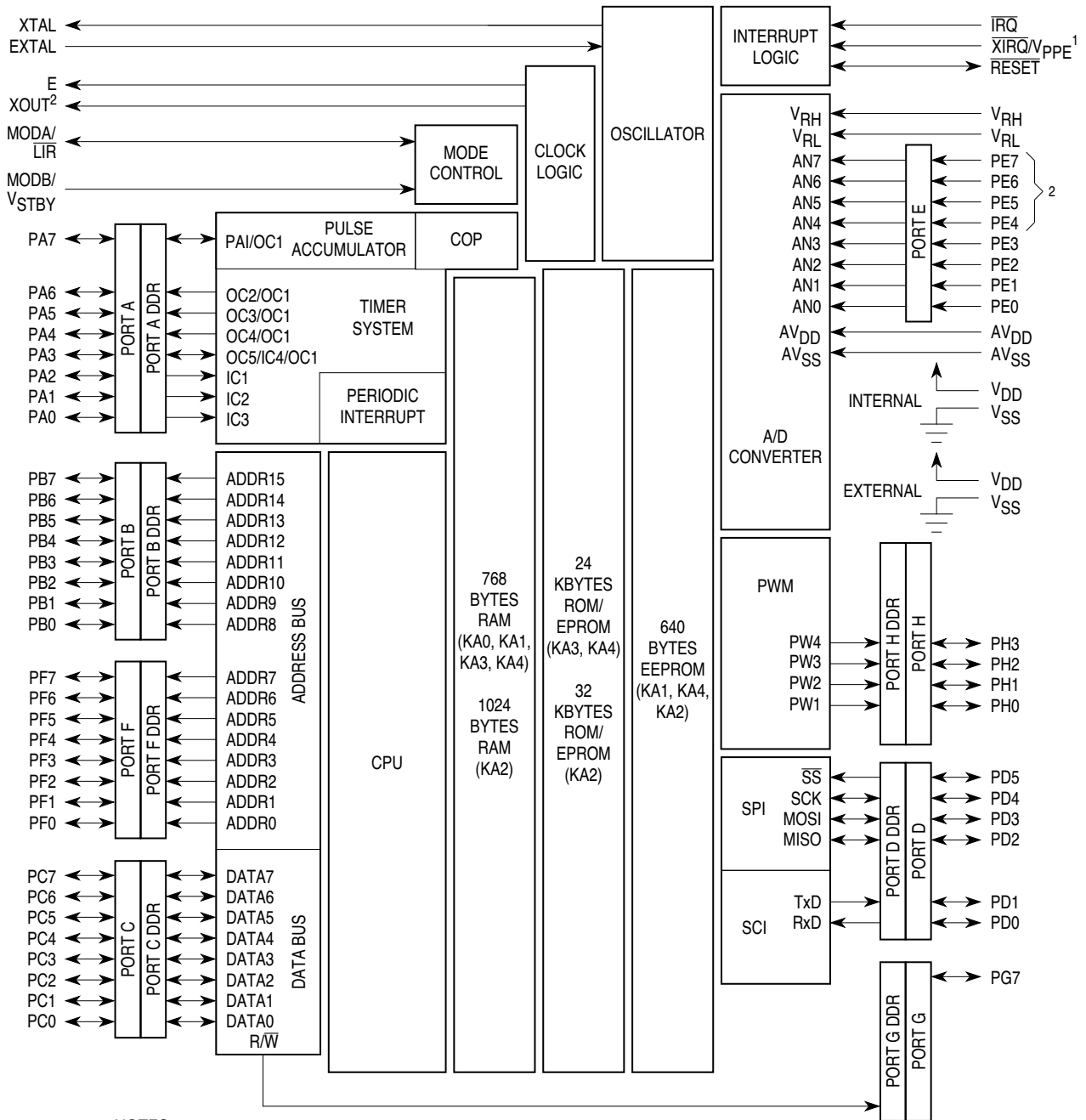
**Figure 1 Pin Assignments for 68-Pin Plastic Leaded Chip Carrier/Cerquad**



\* V<sub>PPE</sub> applies to MC68HC711KA4 and MC68HC711KA2 only.

**Figure 2 Pin Assignments for 64-Pin Quad Flat Pack**





- NOTES:
1. V<sub>PPE</sub> applies to MC68HC711KA4 and MC68HC711KA2 only.
  2. Not bonded on 64-pin version.

**Figure 3 MC68HC11KA4/MC68HC711KA4 Block Diagram**

# TABLE OF CONTENTS

Section		Page
<b>1</b>	<b>Introduction</b>	<b>1</b>
1.1	Features .....	1
<b>2</b>	<b>Operating Modes and On-Chip Memory</b>	<b>11</b>
2.1	Operating Modes .....	11
2.2	On-Chip Memory .....	11
<b>3</b>	<b>Erasable Programmable Read-Only Memory</b>	<b>21</b>
<b>4</b>	<b>Electrically Erasable Programmable Read-Only Memory</b>	<b>23</b>
<b>5</b>	<b>Resets and Interrupts</b>	<b>26</b>
<b>6</b>	<b>Parallel Input/Output</b>	<b>31</b>
<b>7</b>	<b>Serial Communications Interface</b>	<b>37</b>
<b>8</b>	<b>Serial Peripheral Interface</b>	<b>44</b>
<b>9</b>	<b>Analog-to-Digital Converter</b>	<b>48</b>
<b>10</b>	<b>Main Timer</b>	<b>52</b>
10.1	Real-Time Interrupt .....	58
<b>11</b>	<b>Pulse Accumulator</b>	<b>59</b>
<b>12</b>	<b>Pulse-Width Modulation Timer</b>	<b>62</b>

## 2 Operating Modes and On-Chip Memory

### 2.1 Operating Modes

In single-chip operating mode, the MC68HC11KA4 is a stand-alone microcontroller with no external address or data bus.

In expanded non-multiplexed operating mode, the MCU can access a 64 Kbyte physical address space. This space includes the same on-chip memory addresses used for single-chip mode, in addition to addressing capabilities for external peripheral and memory devices. The expansion bus is made up of ports B, C, and F, and the  $R/\overline{W}$  signal. In expanded operating mode, high order address bits are output on the port B pins, low order address bits on the port F pins, and the data bus on port C. The  $R/\overline{W}$  pin controls the direction of data transfer on the port C bus.

Bootstrap mode allows special-purpose programs to be entered into internal RAM. The bootloader program uses the serial communications interface (SCI) to read a program of up to 768 bytes into on-chip RAM. After a four-character delay, or after receiving the character for address \$037F (\$047F for MC68HC11KA2), control passes to the loaded program at \$0080.

Special test mode is used primarily for factory testing.

### 2.2 On-Chip Memory

The M68HC11 CPU is capable of addressing a 64 Kbyte range. The INIT, INIT2, and CONFIG registers control the existence and locations of the registers, RAM, EEPROM, and ROM in the physical 64 Kbyte memory space. Addressing beyond the 64 Kbyte range is possible using a memory paging scheme in expanded mode only.

The 128-byte register block originates at \$0000 after reset and can be placed at any other 4 Kbyte boundary (\$x000) after reset by writing an appropriate value to the INIT register.

The 768-byte RAM (1024 bytes in the MC68HC11KA2) can be remapped to any 4 Kbyte boundary in memory.

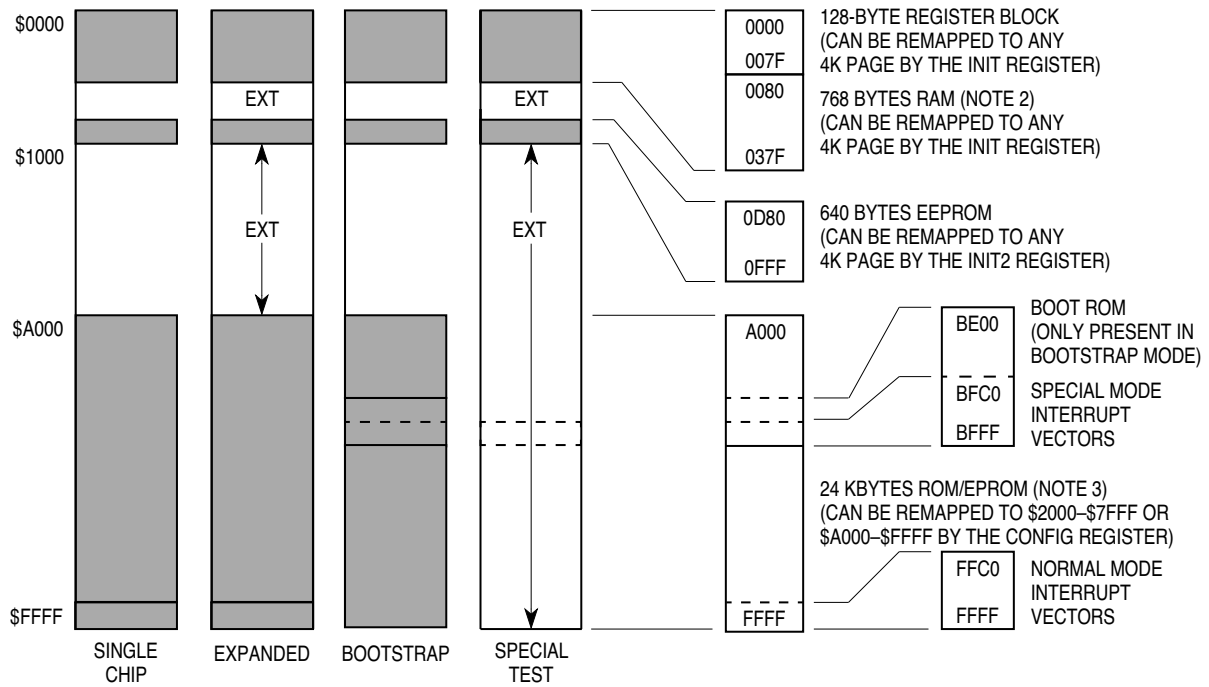
The RAM in the MC68HC11KA4 is divided into two sections of 128 bytes and 640 bytes. For the MC68HC11KA4, 128 bytes of the RAM are mapped at \$0000–\$007F unless the registers are mapped to this space. If the registers are located in this space, the same 128 bytes of RAM are located at \$0300 to \$037F.

The RAM in the MC68HC11KA2 is divided into two sections of 128 bytes and 896 bytes. For the MC68HC11KA2, 128 bytes of the RAM are mapped at \$0000–\$007F unless the registers are mapped to this space. If the registers are located in this space, the same 128 bytes of RAM are located at \$0300 to \$047F.

Remapping is accomplished by writing appropriate values into the two nibbles of the INIT register. Refer to the register and RAM mapping examples following the MC68HC11KA4 and MC68HC11KA2 memory maps.

The 640-byte EEPROM is initially located at \$0D80 after reset, assuming EEPROM is enabled in the memory map by the CONFIG register. EEPROM can be placed at any other 4 Kbyte boundary (\$xD80) by writing appropriate values to the INIT2 register.

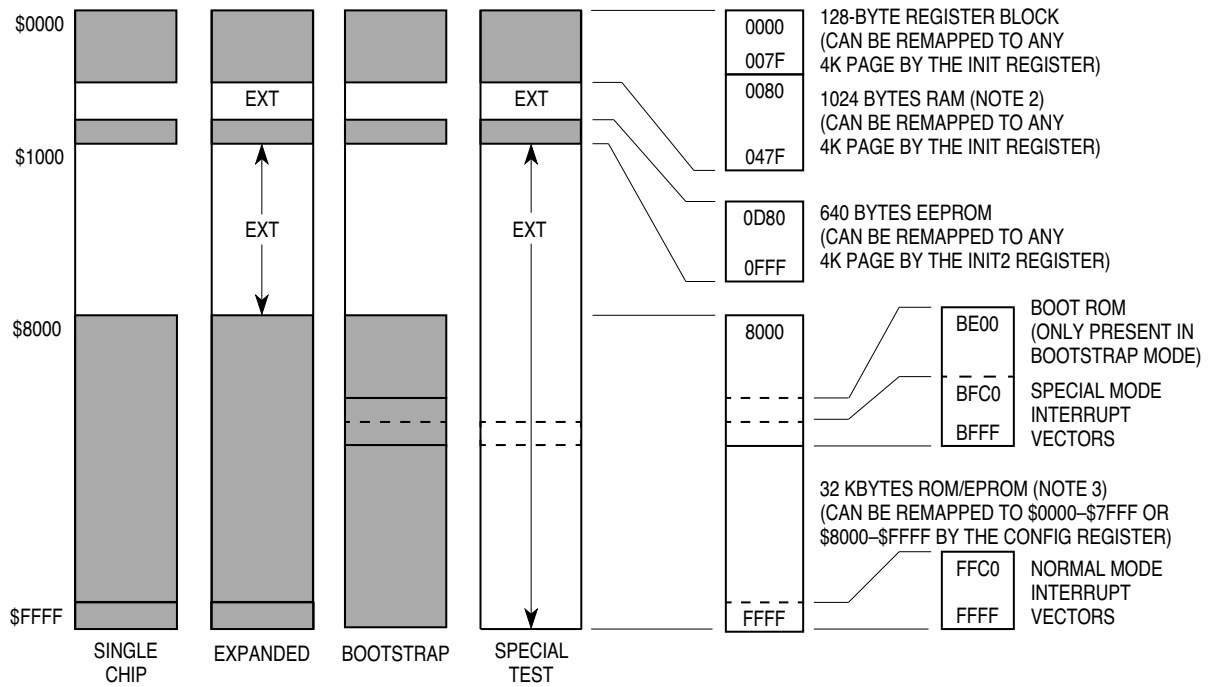
The ROMAD and ROMON control bits in the CONFIG register control the position and presence of ROM/EPROM in the memory map. In special test mode, the ROMON bit is forced to zero so that the ROM/EPROM is removed from the memory map. In single-chip mode, the ROMAD bit is forced to one, causing the ROM/EPROM to be enabled at \$A000–\$FFFF (\$8000–\$FFFF in the MC68HC11KA2). This guarantees that there will be ROM/EPROM at the vector space.



NOTES:

1. EPROM can be enabled in special test mode by setting the ROMON bit in the config register after reset.
2. 768 bytes RAM in MC68HC711KA4, 1024 bytes RAM in MC68HC711KA2.
3. 24 Kbytes ROM/EPROM in MC68HC711KA4, 32 Kbytes ROM/EPROM in MC68HC711KA2.

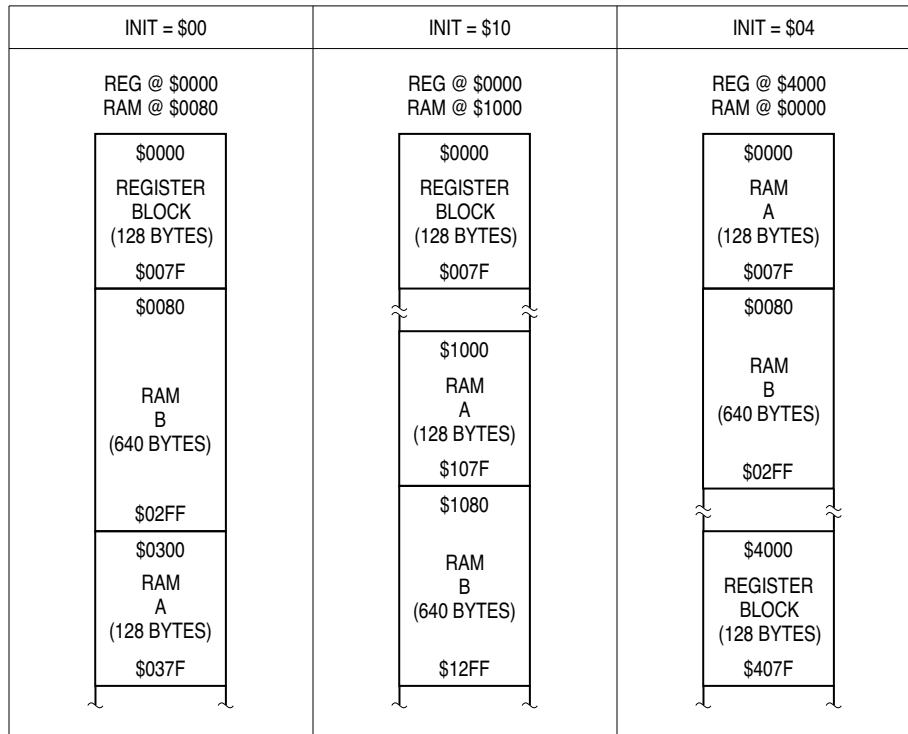
**Figure 4 Memory Map for MC68HC11KA4**



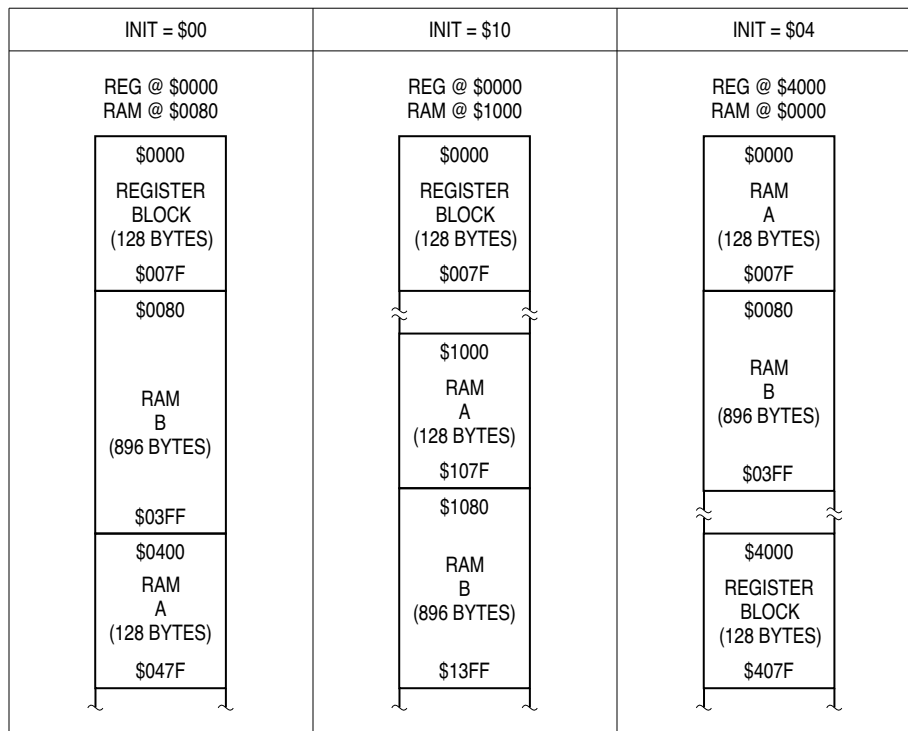
NOTES:

1. EPROM can be enabled in special test mode by setting the ROMON bit in the config register after reset.
2. 768 bytes RAM in MC68HC711KA4, 1024 bytes RAM in MC68HC711KA2.
3. 24 Kbytes ROM/EPROM in MC68HC711KA4, 32 Kbytes ROM/EPROM in MC68HC711KA2.

**Figure 5 Memory Map for MC68HC11KA2**



**Figure 6 RAM and Register Mapping for MC68HC11KA4**



**Figure 7 RAM and Register Mapping for MC68HC11KA2**

**Table 4 MC68HC11KA4 Register and Control Bit Assignments**

	Bit 7	6	5	4	3	2	1	Bit 0	
\$0000	PA7	PA6	PA5	PA4	PA3	PA2	PA1	PA0	PORTA
\$0001	DDA7	DDA6	DDA5	DDA4	DDA3	DDA2	DDA1	DDA0	DDRA
\$0002	DDB7	DDB6	DDB5	DDB4	DDB3	DDB2	DDB1	DDB0	DDRB
\$0003	DDF7	DDF6	DDF5	DDF4	DDF3	DDF2	DDF1	DDF0	DDRF
\$0004	PB7	PB6	PB5	PB4	PB3	PB2	PB1	PB0	PORTB
\$0005	PF7	PF6	PF5	PF4	PF3	PF2	PF1	PF0	PORTF
\$0006	PC7	PC6	PC5	PC4	PC3	PC2	PC1	PC0	PORTC
\$0007	DDC7	DDC6	DDC5	DDC4	DDC3	DDC2	DDC1	DDC0	DDRC
\$0008	0	0	PD5	PD4	PD3	PD2	PD1	PD0	PORTD
\$0009	0	0	DDD5	DDD4	DDD3	DDD2	DDD1	DDD0	DDRD
\$000A	PE7	PE6	PE5	PE4	PE3	PE2	PE1	PE0	PORTE
\$000B	FOC1	FOC2	FOC3	FOC4	FOC5	0	0	0	CFORC
\$000C	OC1M7	OC1M6	OC1M5	OC1M4	OC1M3	0	0	0	OC1M
\$000D	OC1D7	OC1D6	OC1D5	OC1D4	OC1D3	0	0	0	OC1D
\$000E	Bit 15	14	13	12	11	10	9	Bit 8	TCNT (High)
\$000F	Bit 7	6	5	4	3	2	1	Bit 0	TCNT (Low)
\$0010	Bit 15	14	13	12	11	10	9	Bit 8	TIC1 (High)
\$0011	Bit 7	6	5	4	3	2	1	Bit 0	TIC1 (Low)
\$0012	Bit 15	14	13	12	11	10	9	Bit 8	TIC2 (High)
\$0013	Bit 7	6	5	4	3	2	1	Bit 0	TIC2 (Low)
\$0014	Bit 15	14	13	12	11	10	9	Bit 8	TIC3 (High)
\$0015	Bit 7	6	5	4	3	2	1	Bit 0	TIC3 (Low)
\$0016	Bit 15	14	13	12	11	10	9	Bit 8	TOC1(High)
\$0017	Bit 7	6	5	4	3	2	1	Bit 0	TOC1 (Low)
\$0018	Bit 15	14	13	12	11	10	9	Bit 8	TOC2 (High)
\$0019	Bit 7	6	5	4	3	2	1	Bit 0	TOC2 (Low)
\$001A	Bit 15	14	13	12	11	10	9	Bit 8	TOC3 (High)
\$001B	Bit 7	6	5	4	3	2	1	Bit 0	TOC3 (Low)
\$001C	Bit 15	14	13	12	11	10	9	Bit 8	TOC4 (High)
\$001D	Bit 7	6	5	4	3	2	1	Bit 0	TOC4 (Low)
\$001E	Bit 15	14	13	12	11	10	9	Bit 8	TI4/O5 (High)
\$001F	Bit 7	6	5	4	3	2	1	Bit 0	TI4/O5 (Low)
\$0020	OM2	OL2	OM3	OL3	OM4	OL4	OM5	OL5	TCTL1
\$0021	EDG4B	EDG4A	EDG1B	EDG1A	EDG2B	EDG2A	EDG3B	EDG3A	TCTL2
\$0022	OC1I	OC2I	OC3I	OC4I	I4/O5I	IC1I	IC2I	IC3I	TMSK1
\$0023	OC1F	OC2F	OC3F	OC4F	I4/O5F	IC1F	IC2F	IC3F	TFLG1
\$0024	TOI	RTII	PAOVI	PAII	0	0	PR1	PR0	TMSK2
\$0025	TOF	RTIF	PAOVF	PAIF	0	0	0	0	TFLG2
\$0026	0	PAEN	PAMOD	PEDGE	0	I4/O5	RTR1	RTR0	PACTL
\$0027	Bit 7	6	5	4	3	2	1	Bit 0	PACNT
\$0028	SPIE	SPE	DWOM	MSTR	CPOL	CPHA	SPR1	SPR0	SPCR
\$0029	SPIF	WCOL	0	MODF	0	0	0	0	SPSR
\$002A	Bit 7	6	5	4	3	2	1	Bit 0	SPDR
\$002B	MBE	0	ELAT	EXCOL	EXROW	0	0	EPGM	EPROG

**Table 4 MC68HC11KA4 Register and Control Bit Assignments (Continued)**

	Bit 7	6	5	4	3	2	1	Bit 0	
\$002C	0	0	0	0	HPPUE	GPPUE	FPPUE	BPPUE	PPAR
\$002D	—	—	—	—	—	—	—	—	Reserved
\$002E	—	—	—	—	—	—	—	—	Reserved
\$002F	—	—	—	—	—	—	—	—	Reserved
\$0030	CCF	0	SCAN	MULT	CD	CC	CB	CA	ADCTL
\$0031	Bit 7	6	5	4	3	2	1	Bit 0	ADR1
\$0032	Bit 7	6	5	4	3	2	1	Bit 0	ADR2
\$0033	Bit 7	6	5	4	3	2	1	Bit 0	ADR3
\$0034	Bit 7	6	5	4	3	2	1	Bit 0	ADR4
\$0035	BULKP	LVPEN	BPRT4	PTCON	BPRT3	BPRT2	BPRT1	BPRT0	BPROT
\$0036	—	—	—	—	—	—	—	—	Reserved
\$0037	EE3	EE2	EE1	EE0	0	0	0	0	INIT2
\$0038	LIRDV	CWOM	0	IRVNE	LSBF	SPR2	XDV1	XDV0	OPT2
\$0039	ADPU	CSEL	IRQE	DLY	CME	FCME	CR1	CR0	OPTION
\$003A	Bit 7	6	5	4	3	2	1	Bit 0	COPRST
\$003B	ODD	EVEN	LVPI	BYTE	ROW	ERASE	EELAT	EPPGM	PPROG
\$003C	RBOOT	SMOD	MDA	PSEL4	PSEL3	PSEL2	PSEL1	PSEL0	HPRIO
\$003D	RAM3	RAM2	RAM1	RAM0	REG3	REG2	REG1	REG0	INIT
\$003E	TILOP	0	OCCR	CBYP	DISR	FCM	FCOP	0	TEST1
\$003F	ROMAD	1	CLKX	PAREN	NOSEC	NOCOP	ROMON	EEON	CONFIG
\$0040	—	—	—	—	—	—	—	—	Reserved
to									
\$005F	—	—	—	—	—	—	—	—	Reserved
\$0060	CON34	CON12	PCKA2	PCKA1	0	PCKB3	PCKB2	PCKB1	PWCLK
\$0061	PCLK4	PCLK3	PCLK2	PCLK1	PPOL4	PPOL3	PPOL2	PPOL1	PWPOL
\$0062	Bit 7	6	5	4	3	2	1	Bit 0	PWSCAL
\$0063	TPWSL	DISCP	0	0	PWEN4	PWEN3	PWEN2	PWEN1	PWEN
\$0064	Bit 7	6	5	4	3	2	1	Bit 0	PWCNT1
\$0065	Bit 7	6	5	4	3	2	1	Bit 0	PWCNT2
\$0066	Bit 7	6	5	4	3	2	1	Bit 0	PWCNT3
\$0067	Bit 7	6	5	4	3	2	1	Bit 0	PWCNT4
\$0068	Bit 7	6	5	4	3	2	1	Bit 0	PWPER1
\$0069	Bit 7	6	5	4	3	2	1	Bit 0	PWPER2
\$006A	Bit 7	6	5	4	3	2	1	Bit 0	PWPER3
\$006B	Bit 7	6	5	4	3	2	1	Bit 0	PWPER4
\$006C	Bit 7	6	5	4	3	2	1	Bit 0	PWDTY1
\$006D	Bit 7	6	5	4	3	2	1	Bit 0	PWDTY2
\$006E	Bit 7	6	5	4	3	2	1	Bit 0	PWDTY3
\$006F	Bit 7	6	5	4	3	2	1	Bit 0	PWDTY4
\$0070	BTST	BSPL	0	SBR12	SBR11	SBR10	SBR9	SBR8	SCBDH
\$0071	SBR7	SBR6	SBR5	SBR4	SBR3	SBR2	SBR1	SBR0	SCBDL
\$0072	LOOPS	WOMS	0	M	WAKE	ILT	PE	PT	SCCR1
\$0073	TIE	TCIE	RIE	ILIE	TE	RE	RWU	SBK	SCCR2
\$0074	TDRE	TC	RDRF	IDLE	OR	NF	FE	PF	SCSR1
\$0075	0	0	0	0	0	0	0	RAF	SCSR2



**Table 4 MC68HC11KA4 Register and Control Bit Assignments (Continued)**

	Bit 7	6	5	4	3	2	1	Bit 0	
\$0076	R8	T8	0	0	0	0	0	0	SCDRH
\$0077	R7/T7	R6/T6	R5/T5	R4/T4	R3/T3	R2/T2	R1/T1	R0/T0	SCDRL
\$0078	—	—	—	—	—	—	—	—	Reserved
to									
\$007B	—	—	—	—	—	—	—	—	Reserved
\$007C	0	0	0	0	PH3	PH2	PH1	PH0	PORTH
\$007D	0	0	0	0	DDH3	DDH2	DDH1	DDH0	DDRH
\$007E	PG7	0	0	0	0	0	0	0	PORTG
\$007F	DDG7	0	0	0	0	0	0	0	DDRG

**HPRIO** — Highest Priority I-Bit Interrupt and Miscellaneous

**\$003C**

	Bit 7	6	5	4	3	2	1	Bit 0	
	RBOOT*	SMOD*	MDA*	PSEL4	PSEL3	PSEL2	PSEL1	PSEL0	
RESET:	0	0	0	0	0	1	1	0	Single Chip
	0	0	1	0	0	1	1	0	Expanded
	1	1	0	0	0	1	1	0	Bootstrap
	0	1	1	0	0	1	1	0	Special Test

\*The reset values of RBOOT, SMOD, and MDA depend on the mode selected at power up.

**RBOOT** — Read Bootstrap ROM

Valid only when SMOD is set to one (bootstrap or special test mode). Can only be written in special mode.

0 = Bootloader ROM disabled and not in map

1 = Bootloader ROM enabled and in map at \$BE00–\$BFFF

**SMOD and MDA** —Special Mode Select and Mode Select A

These two bits can be read at any time. SMOD can only be written to zero. MDA can only be written once in normal modes or any time in special modes.

Inputs		Mode	Latched at Reset	
MODB	MODA		SMOD	MDA
1	0	Single Chip	0	0
1	1	Expanded	0	1
0	0	Bootstrap	1	0
0	1	Special Test	1	1

**PSEL[4:0]** —Priority Select Bits [4:0]

Refer to **5 Resets and Interrupts**.

**INIT** —RAM and I/O Register Mapping**\$003D**

	Bit 7	6	5	4	3	2	1	Bit 0
	RAM3	RAM2	RAM1	RAM0	REG3	REG2	REG1	REG0
RESET:	0	0	0	0	0	0	0	0

Can be written only once in first 64 cycles out of reset in normal modes or at any time in special mode.

**RAM[3:0]** —Internal RAM Map Position

Specifies upper four bits of RAM address. At reset, RAM is mapped to \$0000 along with register block.

**REG[3:0]** —128-Byte Register Block Map Position

Specifies upper four bits of register space address. At reset, registers are mapped to \$0000.

**CONFIG** —COP, ROM Mapping, EEPROM Enables**\$003F**

	Bit 7	6	5	4	3	2	1	Bit 0
	ROMAD	—	CLKX	PAREN	NOSEC	NOCOP	ROMON	EEON
RESET:	—	1	—	—	—	—	—	—

CONFIG is made up of EEPROM cells and static working latches. The operation of the MCU is controlled directly by these latches and not the actual EEPROM byte. When programming the CONFIG register, the EEPROM byte is being accessed. When the CONFIG register is being read, the static latches are being accessed.

These bits can be read at any time. The value read is the one latched into the register from the EEPROM cells during the last reset sequence. A new value programmed into this register cannot be read until after a subsequent reset sequence. Unused bits always read as ones.

If SMOD = 1, CONFIG bits can be written at any time. If SMOD = 0 CONFIG bits can only be written using the EEPROM programming sequence, and are neither readable nor active until latched via the next reset.

**ROMAD** — ROM/EPROM Mapping Control

In single-chip mode ROMAD is forced to one out of reset.

0 = ROM/EPROM located at \$2000–\$7FFF (\$2000–\$9FFF in MC68HC11KA2)

1 = ROM/EPROM located at \$A000–\$FFFF (\$8000–\$FFFF in MC68HC11KA2)

**Bit 6** — Not implemented

Always reads one

**CLKX** — XOUT Clock Enable

0 = XOUT pin disabled

1 = x clock driven out on the XOUT pin

**PAREN** — Pull-Up Assignment Register Enable

Refer to **6 Parallel Input/Output**.

**NOSEC** — Security Disable

NOSEC is invalid unless the security mask option is specified before the MCU is manufactured. If security mask option is omitted NOSEC always reads one.

0 = Security enabled

1 = Security disabled

### NOCOP — COP System Disable

Resets to programmed value

0 = COP enabled (forces reset on time-out)

1 = COP disabled (does not force reset on time-out)

### ROMON — ROM/EPROM Enable

In single-chip mode, ROMON is forced to one out of reset. In special test mode, ROMON is forced to zero out of reset.

0 = ROM/EPROM removed from memory map

1 = ROM/EPROM present in memory map

### EEON — EEPROM Enable

0 = EEPROM disabled from memory map

1 = EEPROM present in memory map with location depending on value specified in EE[3:0] in INIT2

### OPT2 — System Configuration Options 2

**\$0038**

	Bit 7	6	5	4	3	2	1	Bit 0
	—	CWOM	—	IRVNE	LSBF	SPR2	XDV1	XDV0
RESET:	0	0	0	—	0	0	0	0

### Bit 7 — Not implemented

Always reads zero

### CWOM — Port C Wired-OR Mode

Refer to **6 Parallel Input/Output**.

### Bit 5 — Not implemented

Always reads zero

### IRVNE — Internal Read Visibility/Not E

Can be written at any time if SMOD = 1. If SMOD = 0, only one write is allowed. In expanded mode, IRVNE determines whether IRV is on or off. In special test mode, IRVNE is reset to one. In all other modes, IRVNE is reset to zero.

0 = No internal read visibility on external bus

1 = Data from internal reads is driven out of the external data bus.

In single-chip modes, this bit determines whether the E clock drives out from the chip.

0 = E is driven out from the chip.

1 = E pin is driven low.

Mode	IRVNE Out of Reset	E Clock Out of Reset	IRV Out of Reset	IRVNE Affects Only	IRVNE Can Be Written
Single Chip	0	On	Off	E	Once
Expanded	0	On	Off	IRV	Once
Boot	0	On	Off	E	Once
Special Test	1	On	On	IRV	Once

### LSBF — SPI LSB First Enable

Refer to **8 Serial Peripheral Interface**.

### SPR2 — SPI Clock Rate Select

Refer to **8 Serial Peripheral Interface**.

#### XDV[1:0] — XOUT Clock Divide Select

These two bits control the frequency of the clock that is driven out the XOUT pin. The CLKX bit in the CONFIG register controls whether this clock is on or off. When a clock rate is selected, allow a maximum of 16 cycles for stabilization. During reset a frequency of EXTAL is output. This frequency can be divided after reset. Note that the phase relationship between the 4XDV1 signal and both EXTAL and E cannot be predicted. Refer to the following table for further information about XOUT frequencies.

**Table 5 XOUT Frequencies**

XDV[1:0]		EXTAL Divided By	Frequency at EXTAL = 8 MHz	Frequency at EXTAL = 12 MHz	Frequency at EXTAL = 16 MHz
0	0	1	8 MHz	12 MHz	16 MHz
0	1	4	2 MHz	3 MHz	4 MHz
1	0	6	1.33 MHz	2 MHz	2.7 MHz
1	1	8	1 MHz	1.5 MHz	2 MHz
XDV[1:0]		EXTAL Divided By	Frequency at EXTAL = 8.4 MHz	Frequency at EXTAL = 12.6 MHz	Frequency at EXTAL = 16.8 MHz
0	0	1	8.4 MHz	12.6 MHz	16.8 MHz
0	1	4	2.1 MHz	3.15 MHz	4.2 MHz
1	0	6	1.4 MHz	2.1 MHz	2.8 MHz
1	1	8	1.05 MHz	1.57 MHz	2.1 MHz

#### NOTE

The XOUT pin is not bonded in the 64-pin package.

### 3 Erasable Programmable Read-Only Memory

The MC68HC711KA4 has 24 Kbytes of ROM/EPROM. The MC68HC711KA2 has 32 Kbytes of ROM/EPROM. In all parts, the ROM/EPROM can be mapped to one of two locations in the memory map. The locations are as follows:

In the MC68HC11KA4, the ROM/EPROM can be mapped at \$2000–\$7FFF or \$A000–\$FFFF. If it is mapped to \$A000–\$FFFF, vector space is included. In single-chip mode the MC68HC11KA4 ROM/EPROM is forced to \$A000–\$FFFF (ROMAD = 1) and enabled (ROMON = 1), regardless of the value in the CONFIG register.

In the MC68HC11KA2, the ROM/EPROM can be mapped at \$0000–\$7FFF or \$8000–\$FFFF. If it is mapped to \$8000–\$FFFF, vector space is included. In single-chip mode the MC68HC11KA2 ROM/EPROM is forced to \$8000–\$FFFF (ROMAD = 1) and enabled (ROMON = 1), regardless of the value in the CONFIG register.

In PROG mode, the EPROM/OTEPROM is programmed as a stand-alone EPROM by adapting the MCU footprint to the 27256-type EPROM and using an appropriate EPROM programmer. Programming EPROM/OTEPROM requires an external 12.25 volt nominal power supply ( $V_{PPE}$ ). There are two methods that can be used to program and verify EPROM/OTEPROM.

In normal MCU mode, EPROM/OTEPROM can be programmed in any operating mode —special test, bootstrap, expanded, or single chip. Normal programming is completed using the EPROG register.

To program the EPROM, complete the following steps using the EPROG register:

1. Write to EPROG with the ELAT bit set.
2. Write data to the desired address.
3. Write to EPROG with the ELAT and EPGM bits set.
4. Delay for 10 ms or more, as appropriate.
5. Clear the EPGM bit in EPROG to turn off the  $V_{PPE}$  voltage.
6. Clear the EPROG register to reconfigure the EPROM address and data buses for normal operation.

#### EPROG — EPROM Programming Control

**\$002B**

	Bit 7	6	5	4	3	2	1	Bit 0
	MBE	—	ELAT	EXCOL	EXROW	—	—	EPGM
RESET:	0	0	0	0	0	0	0	0

MBE — Multiple Byte Program Enable  
Used for factory test purposes only

Bit 6 — Not implemented  
Always reads zero

ELAT — EPROM Latch Control  
If ELAT = 1, EPROM is in programming mode and cannot be read. If ELAT = 1, writes to EPROM cause address and data to be latched.  
0 = EPROM address and data bus configured for normal reads  
1 = EPROM address and data bus configured for programming

EXCOL — Select Extra Columns  
Used for factory test purposes only

EXROW — Select Extra Row  
Used for factory test purposes only

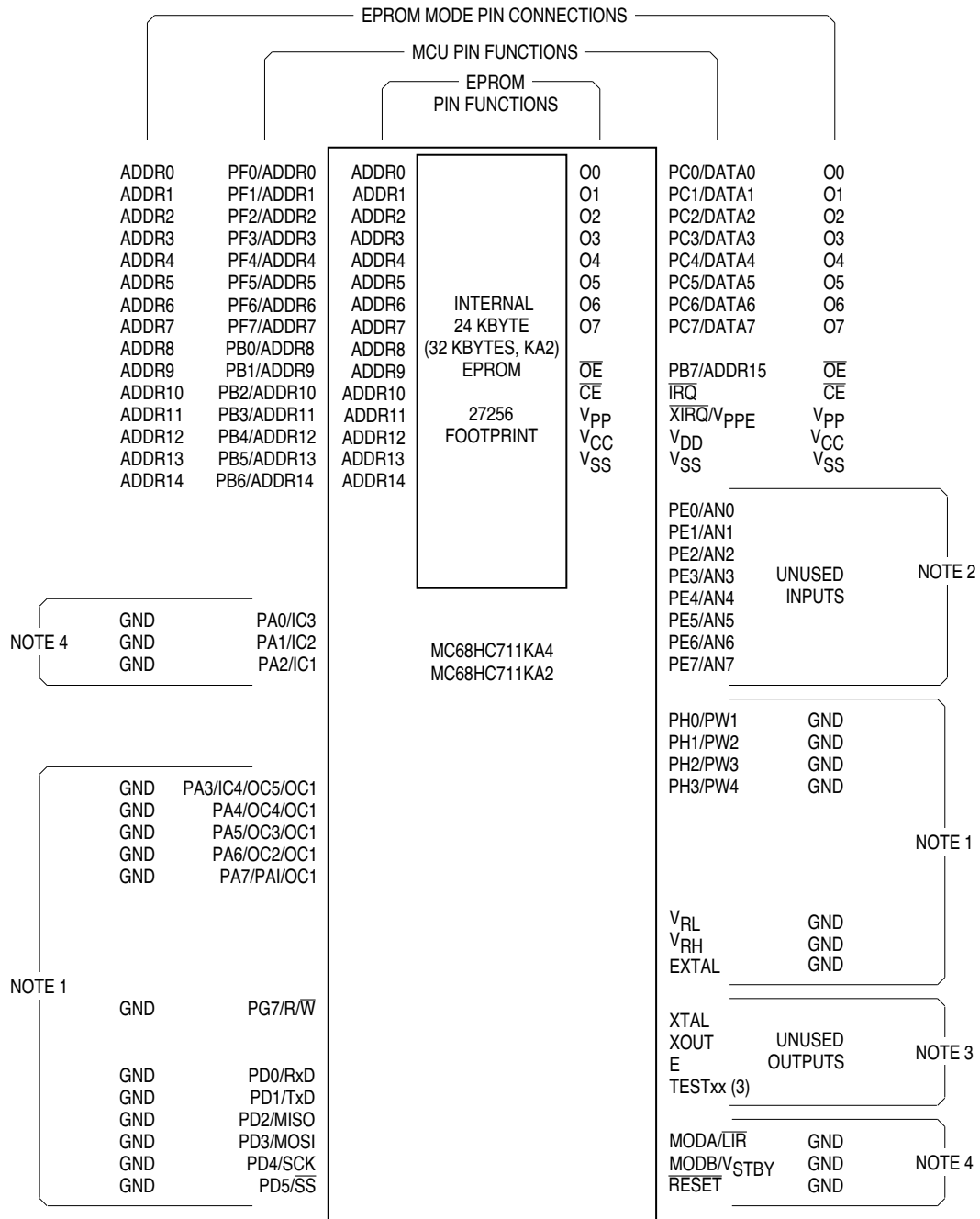
Bits [2:1] — Not implemented  
Always read zero

EPGM — EPROM Program Command

If ELAT = 1 then EPGM = 0.

0 = Programming power to EPROM array switched off

1 = Power to EPROM array switched on



NOTES:

1. Unused Inputs – grounding is recommended.
2. Unused Inputs – these pins may be left unterminated.
3. Unused Outputs – these pins should be left unconnected.
4. Grounding these six pins configures the MC68HC711KA4/KA2 for EPROM emulation mode.

**Figure 8 Wiring Diagram for MC68HC711KA4/KA2 EPROM in PROG Mode**

## 4 Electrically Erasable Programmable Read-Only Memory

The 640-byte on-chip EEPROM is initially located from \$0D80 to \$0FFF after reset in all modes. It can be mapped to any other 4 Kbyte boundary by writing to the INIT2 register. The EEPROM is enabled by the EEON bit in the CONFIG register. Programming and erasing is controlled by the PPROG register.

An internal oscillator clock-run charge pump supplies the programming voltage. Use of the block protect register (BPROT) prevents inadvertent writes to (or erases of) blocks of EEPROM. The CSEL bit in the OPTION register selects the on-chip oscillator clock for programming and erasing while operating at frequencies below 1 MHz. Refer to **5 Resets and Interrupts**.

In special mode there is an extra row of 16 bytes of EEPROM (located at \$0D60), which is used for factory testing. Endurance and data retention specifications do not apply to this row.

The erased state of EEPROM is \$FF (all ones).

To erase the EEPROM, ensure that the proper bits of the BPROT register are cleared, then complete the following steps using the PPROG register:

1. Write to PPROG with the ERASE, EELAT, and appropriate BYTE and ROW bits set.
2. Write to the appropriate EEPROM address with any data. Row erase only requires a write to any location in the row. Bulk erase is accomplished by writing to any location in the array.
3. Write to PPROG with ERASE, EELAT, EEPGM, and the appropriate BYTE and ROW bits set.
4. Delay for 10 ms or more, as appropriate.
5. Clear the EEPGM bit in PPROG to turn off the high voltage.
6. Clear the PPROG register to reconfigure the EEPROM address and data buses for normal operation.

To program the EEPROM, ensure the proper bits of the BPROT register are cleared, then complete the following steps using the PPROG register:

1. Write to PPROG with the EELAT bit set.
2. Write data to the desired address.
3. Write to PPROG with the EELAT and EEPGM bits set.
4. Delay for 10 ms or more, as appropriate.
5. Clear the EEPGM bit in PPROG to turn off the high voltage.
6. Clear the PPROG register to reconfigure the EEPROM address and data buses for normal operation.

### CAUTION

Since it is possible to perform other operations while the EEPROM programming/erase operation is in progress, it is fairly common to start the operation then return to the main program until the 10 ms is completed. When the EELAT bit is set at the beginning of a program/erase operation, the EEPROM is electronically removed from the memory map; thus, it is not accessible during the program/erase cycle. Care must be taken to ensure that EEPROM resources will not be needed by any routines in the code during the 10 ms program/erase time.

**BPROT** —Block Protect**\$0035**

	Bit 7	6	5	4	3	2	1	Bit 0
	BULKP	LVPEN	BPRT4	PTCON	BPRT3	BPRT2	BPRT1	BPRT0
RESET:	1	1	1	1	1	1	1	1

**NOTE**

Block protect register bits can be written to zero (protection disabled) only once within 64 cycles of a reset in normal modes, or at any time in special mode. Block protect register bits can be written to one (protection enabled) at any time.

**BULKP** — Bulk Erase of EEPROM Protect

- 0 = EEPROM can be bulk erased normally
- 1 = EEPROM cannot be bulk or row erased

**LVPEN** — Low Voltage Programming Protect Enable

If LVPEN = 1, programming of the EEPROM is enabled unless the LVPI circuit detects that  $V_{DD}$  has fallen below a safe operating voltage thus setting the low voltage programming inhibit bit in PPROG register (LVPI = 1).

- 0 = Low voltage programming protect for EEPROM disabled
- 1 = Low voltage programming protect for EEPROM enabled

**BPRT[4:0]** —Block Protect Bits for EEPROM

- 0 = Protection disabled
- 1 = Protection enabled

Bit Name	Block Protected	Block Size
BPRT4	\$xF80–\$xFFF	128 Bytes
BPRT3	\$xE60–\$xF7F	288 Bytes
BPRT2	\$xDE0–\$xE5F	128 Bytes
BPRT1	\$xDA0–\$xDDF	64 Bytes
BPRT0	\$xD80–\$xD9F	32 Bytes

**PTCON** — Protect for CONFIG

- 0 = CONFIG register can be programmed or erased normally
- 1 = CONFIG register cannot be programmed or erased

**INIT2** —EEPROM Mapping**\$0037**

	Bit 7	6	5	4	3	2	1	Bit 0
	EE3	EE2	EE1	EE0	—	—	—	—
RESET:	0	0	0	0	0	0	0	0

INIT2 can be written only once in normal modes, any time in special modes.

**EE[3:0]** — EEPROM Map Position

EEPROM is at \$xD80–\$xFFFF, where x is the hexadecimal digit represented by EE[3:0] bits.

**Bits [3:0]** — Not implemented

Always read zero



**PPROG** — EEPROM Programming Control**\$003B**

	Bit 7	6	5	4	3	2	1	Bit 0
	ODD	EVEN	LVPI	BYTE	ROW	ERASE	EELAT	EEPGM
RESET:	0	0	0	0	0	0	0	0

**ODD** — Program Odd Rows in Half of EEPROM (TEST)

**EVEN** — Program Even Rows in Half of EEPROM (TEST)

**LVPI** — Low Voltage Programming Inhibit

LVPI can be read at any time and writes to LVPI have no meaning nor effect. LVPI is set if LVPEN bit in BPROT register equals 1 and the LVPI circuit detects that  $V_{DD}$  has fallen below a safe operating voltage. Once set, LVPI is cleared when  $V_{DD}$  returns to a safe operating voltage or if LVPEN bit in BPROT register is cleared. If LVPEN = 0, then LVPI is always zero and has no meaning nor effect.

- 0 = EEPROM programming enabled
- 1 = EEPROM programming disabled

**BYTE** — Byte/Other EEPROM Erase Mode

- 0 = Row or bulk erase mode used
- 1 = Erase only one byte of EEPROM

**ROW** — Row/All EEPROM Erase Mode (only valid when BYTE = 0)

- 0 = All 640 bytes of EEPROM erased
- 1 = Erase only one 16-byte row of EEPROM

BYTE	ROW	Action
0	0	Bulk Erase (All 640 Bytes)
0	1	Row Erase (16 Bytes)
1	0	Byte Erase
1	1	Byte Erase

**ERASE** — Erase/Normal Control for EEPROM

- 0 = Normal read or program mode
- 1 = Erase mode

**EELAT** — EEPROM Latch Control

- 0 = EEPROM address and data bus configured for normal reads
- 1 = EEPROM address and data bus configured for programming or erasing

**EEPGM** — EEPROM Program Command

- 0 = Program or erase voltage switched off to EEPROM array
  - 1 = Program or erase voltage switched on to EEPROM array
- Refer also to INIT2 register.

## 5 Resets and Interrupts

The MC68HC11KA4/KA2 has three reset vectors and 18 interrupt vectors. The reset vectors are as follows:

- $\overline{\text{RESET}}$ , or Power-On Reset
- Clock Monitor Fail
- COP Failure

The 18 interrupt vectors service 22 interrupt sources (three non-maskable, 19 maskable). The three nonmaskable interrupt vectors are as follows:

- $\overline{\text{XIRQ}}$  Pin (X-Bit Interrupt)
- Illegal Opcode Trap
- Software Interrupt

On-chip peripheral systems generate maskable interrupts, which are recognized only if the global interrupt mask bit (I) in the condition code register (CCR) is clear. Maskable interrupts are prioritized according to a default arrangement; however, any one source can be elevated to the highest maskable priority position by a software-accessible control register (HPRIO). The HPRIO register can be written at any time, provided bit I in the CCR is set.

Nineteen interrupt sources in the MC68HC11KA4/KA2 are subject to masking by the global interrupt mask bit (bit I in the CCR). In addition to the global bit I, all of these sources, except the external interrupt ( $\overline{\text{IRQ}}$ ) pin, are controlled by local enable bits in control registers. Most interrupt sources in the M68HC11 have separate interrupt vectors; therefore, there is usually no need for software to poll control registers to determine the cause of an interrupt.

For some interrupt sources, such as the SCI interrupts, the flags are automatically cleared during the normal course of responding to the interrupt requests. For example, the RDRF flag in the SCI system is cleared by the automatic clearing mechanism consisting of a read of the SCI status register while RDRF is set, followed by a read of the SCI data register. The normal response to an RDRF interrupt request would be to read the SCI status register to check for receive errors, then to read the received data from the SCI data register. These two steps satisfy the automatic clearing mechanism without requiring any special instructions.

Refer to the following table for a list of interrupt and reset vector assignments

Vector Address	Interrupt Source	CCR Mask Bit	Local Mask
FFC0, C1 – FFD4, D5	Reserved	—	—
FFD6, D7	SCI Serial System	I	
	• SCI Receive Data Register Full		RIE
	• SCI Receiver Overrun		RIE
	• SCI Transmit Data Register Empty		TIE
	• SCI Transmit Complete		TCIE
	• SCI Idle Line Detect		ILIE
FFD8, D9	SPI Serial Transfer Complete	I	SPIE
FFDA, DB	Pulse Accumulator Input Edge	I	PAII
FFDC, DD	Pulse Accumulator Overflow	I	PAOVI
FFDE, DF	Timer Overflow	I	TOI
FFE0, E1	Timer Input Capture 4/Output Compare 5	I	I4/O5I
FFE2, E3	Timer Output Compare 4	I	OC4I
FFE4, E5	Timer Output Compare 3	I	OC3I
FFE6, E7	Timer Output Compare 2	I	OC2I
FFE8, E9	Timer Output Compare 1	I	OC1I
FFEA, EB	Timer Input Capture 3	I	IC3I
FFEC, ED	Timer Input Capture 2	I	IC2I
FFEE, EF	Timer Input Capture 1	I	IC1I
FFF0, F1	Real-Time Interrupt	I	RTII
FFF2, F3	$\overline{\text{IRQ}}$	I	None
FFF4, F5	$\overline{\text{XIRQ}}$ Pin	X	None
FFF6, F7	Software Interrupt	None	None
FFF8, F9	Illegal Opcode Trap	None	None
FFFA, FB	COP Failure	None	NOCOP
FFFC, FD	Clock Monitor Fail	None	CME
FFFE, FF	RESET	None	None

**OPTION** —System Configuration Options

**\$0039**

	Bit 7	6	5	4	3	2	1	Bit 0
	ADPU	CSEL	IRQE*	DLY	CME	FCME*	CR1*	CR0*
RESET:	0	0	0	1	0	0	0	0

\*Can be written only once in first 64 cycles out of reset in normal mode, or at any time in special mode.

ADPU —A/D Converter Power-Up

Refer to **9 Analog-to-Digital Converter**.

CSEL —Clock Select

Refer to **9 Analog-to-Digital Converter**.

IRQE — $\overline{\text{IRQ}}$  Select Edge Sensitive Only

0 = Low level recognition

1 = Falling edge recognition

DLY — Enable Oscillator Start-Up Delay on Exit from STOP  
 0 = No stabilization delay on exit from STOP  
 1 = Stabilization delay enabled on exit from STOP

CME — Clock Monitor Enable  
 0 = Clock monitor disabled; slow clocks can be used  
 1 = Slow or stopped clocks cause clock failure reset

FCME — Force Clock Monitor Enable  
 0 = Clock monitor follows the state of the CME bit  
 1 = Clock monitor circuit is enabled until next reset

CR[1:0] — COP Timer Rate Select

**Table 6 COP Timer Rate Select**

CR[1:0]	Divide E/2 <sup>15</sup> By	XTAL = 8.0 MHz Time-out -0/+16.4 ms	XTAL = 12.0 MHz Time-out -0/+10.9 ms	XTAL = 16.0 MHz Time-out -0/+8.2 ms
0 0 0	1	16.384 ms	10.923 ms	8.192 ms
0 0 1	4	65.536 ms	43.691 ms	32.768 ms
0 1 0	16	262.14 ms	174.76 ms	131.07 ms
0 1 1	64	1.049 s	699.05 ms	524.29 ms
	E =	2.0 MHz	3.0 MHz	4.0 MHz

**COPRST** — Arm/Reset COP Timer Circuitry

**\$003A**

	Bit 7	6	5	4	3	2	1	Bit 0
	7	6	5	4	3	2	1	0
RESET:	0	0	0	0	0	0	0	0

Write \$55 to COPRST to arm COP watchdog clearing mechanism. Write \$AA to COPRST to reset COP watchdog.

**HPRIO** — Highest Priority I-Bit Interrupt and Miscellaneous

**\$003C**

	Bit 7	6	5	4	3	2	1	Bit 0
	RBOOT*	SMOD*	MDA*	PSEL4	PSEL3	PSEL2	PSEL1	PSEL0
RESET:	—	—	—	0	0	1	1	0

\*RBOOT, SMOD, and MDA reset depend on power-up initialization mode and can only be written in special mode.

RBOOT — Read Bootstrap ROM

Refer to **2 Operating Modes and On-Chip Memory**.

SMOD — Special Mode Select

Refer to **2 Operating Modes and On-Chip Memory**.

MDA — Mode Select A

Refer to **2 Operating Modes and On-Chip Memory**.

### PSEL[4:0] — Priority Select Bits [4:0]

Can be written only while bit I in the CCR is set (interrupts disabled). These bits select one interrupt source to be elevated above all other I-bit related sources.

PSELx					Interrupt Source Promoted
4	3	2	1	0	
0	0	0	X	X	Reserved (Default to $\overline{\text{IRQ}}$ )
0	0	1	0	0	Reserved (Default to $\overline{\text{IRQ}}$ )
0	0	1	0	1	Reserved (Default to $\overline{\text{IRQ}}$ )
0	0	1	1	0	$\overline{\text{IRQ}}$
0	0	1	1	1	Real-Time Interrupt
0	1	0	0	0	Timer Input Capture 1
0	1	0	0	1	Timer Input Capture 2
0	1	0	1	0	Timer Input Capture 3
0	1	0	1	1	Timer Output Compare 1
0	1	1	0	0	Timer Output Compare 2
0	1	1	0	1	Timer Output Compare 3
0	1	1	1	0	Timer Output Compare 4
0	1	1	1	1	Timer Input Capture 4/Output Compare 5
1	0	0	0	0	Timer Overflow
1	0	0	0	1	Pulse Accumulator Overflow
1	0	0	1	0	Pulse Accumulator Input Edge
1	0	0	1	1	SPI Serial Transfer Complete
1	0	1	0	0	SCI Serial System
1	0	1	0	1	Reserved (Default to $\overline{\text{IRQ}}$ )
1	0	1	1	0	Reserved (Default to $\overline{\text{IRQ}}$ )
1	0	1	1	1	Reserved (Default to $\overline{\text{IRQ}}$ )
1	1	X	X	X	Reserved (Default to $\overline{\text{IRQ}}$ )

### CONFIG — COP, ROM Mapping, EEPROM Enables

**\$003F**

Bit 7	6	5	4	3	2	1	Bit 0
ROMAD	—	CLKX	PAREN	NOSEC	NOCOP	ROMON	EEON

RESET: — 1 — — — — —

CONFIG is made up of EEPROM cells and static latches. The operation of the MCU is controlled directly by these latches and not the actual EEPROM byte. When programming the CONFIG register, the EEPROM byte is being accessed. When the CONFIG register is being read, the static latches are being accessed.

These bits can be read at any time. The value read is the one latched into the register from the EEPROM cells during the last reset sequence. A new value programmed into this register cannot be read until after a subsequent reset sequence. Unused bits always read as ones.

If SMOD = 1, CONFIG bits can be written at any time. If SMOD = 0 CONFIG bits can only be written using the EEPROM programming sequence, and are neither readable nor active until latched via the next reset.

### ROMAD — ROM/EPROM Mapping Control

Refer to **2 Operating Modes and On-Chip Memory**.

Bit 6 — Not implemented  
Always reads one

CLKX — XOUT Clock  
Refer to **2 Operating Modes and On-Chip Memory**.

PAREN — Pull-Up Assignment Register Enable  
Refer to **6 Parallel Input/Output**.

NOSEC — Security Disable  
Refer to **2 Operating Modes and On-Chip Memory**.

NOCOP — COP System Disable  
Resets to programmed value  
0 = COP enabled (forces reset on time-out)  
1 = COP disabled (does not force reset on time-out)

ROMON — ROM/EPROM Enable  
Refer to **2 Operating Modes and On-Chip Memory**.

EEON — EEPROM Enable  
Refer to **2 Operating Modes and On-Chip Memory**.

## 6 Parallel Input/Output

The MC68HC11KA4/KA2 has up to 51 input/output lines, depending on the operating mode. To enhance the I/O functions, the data bus of this microcontroller is non-multiplexed. The following table is a summary of the configuration and features of each port.

Port	Input Pins	Output Pins	Bidirectional Pins	Shared Functions
Port A	—	—	8	Timer
Port B	—	—	8	High Order Address
Port C	—	—	8	Data Bus
Port D	—	—	6	SCI and SPI
Port E	8*	—	—	A/D Converter
Port F	—	—	8	Low Order Address
Port G	—	—	1	R/W Signal
Port H	—	—	4	PWMs

\* Only four pins on 64-pin version.

**CONFIG** — COP, ROM Mapping, EEPROM Enables

**\$003F**

	Bit 7	6	5	4	3	2	1	Bit 0
	ROMAD	—	CLKX	PAREN	NOSEC	NOCOP	ROMON	EEON
RESET:	—	1	—	—	—	—	—	—

ROMAD — ROM Mapping Control

Refer to **2 Operating Modes and On-Chip Memory**.

Bit 6 — Not implemented

Always reads one

CLKX — XOUT Clock Enable

Refer to **2 Operating Modes and On-Chip Memory**.

PAREN — Pull-Up Assignment Register Enable

0 = Pull-ups always disabled regardless of state of bits in PPAR

1 = Pull-ups either enabled or disabled through PPAR

NOSEC — Security Disable

Refer to **2 Operating Modes and On-Chip Memory**.

NOCOP — COP System Disable

Refer to **5 Resets and Interrupts**.

ROMON — ROM/EPROM Enable

Refer to **2 Operating Modes and On-Chip Memory**.

EEON — EEPROM Enable

Refer to **2 Operating Modes and On-Chip Memory**.

**OPT2** —System Configuration Options 2

**\$0038**

	Bit 7	6	5	4	3	2	1	Bit 0
	LIRDV	CWOM	—	IRVNE	LSBF	SPR2	XDV1	XDV0
RESET:	0	0	0	—	0	0	0	0

LIRDV — LIR Driven

Refer to **2 Operating Modes and On-Chip Memory**.

CWOM — Port C Wired-OR Mode

0 = Port C operates normally.

1 = Port C outputs are open-drain.

Bit 5 — Not implemented

Always reads zero

IRVNE — Internal Read Visibility/Not E

Refer to **2 Operating Modes and On-Chip Memory**.

LSBF — SPI LSB First Enable

Refer to **8 Serial Peripheral Interface**.

SPR2 — SPI Clock (SCK) Rate Select

Refer to **8 Serial Peripheral Interface**.

XDV1, XDV0 — XOUT Clock Divide Select

Refer to **2 Operating Modes and On-Chip Memory**.

**NOTE**

Do not confuse pin function with the electrical state of the pin at reset. All general-purpose I/O pins configured as inputs at reset are in a high-impedance state and the contents of port data registers is undefined. In port descriptions, a “U” indicates this condition. The pin function is mode dependent.

**PORTA** —Port A Data

**\$0000**

	Bit 7	6	5	4	3	2	1	Bit 0
	PA7	PA6	PA5	PA4	PA3	PA2	PA1	PA0
RESET:	U	U	U	U	U	U	U	U
Alt. Pin Func.:	PAI	OC2	OC3	OC4	IC4/OC5	IC1	IC2	IC3
And/or:	OC1	OC1	OC1	OC1	OC1	—	—	—

**NOTE**

To enable PA3 as fourth input capture, set the I4/O5 bit in the PACTL register. Otherwise, PA3 is configured as a fifth output compare out of reset, with bit I4/O5 being cleared. If the DDA3 bit is set (configuring PA3 as an output), and IC4 is enabled, writes to PA3 cause edges on the pin to result in input captures. Writing to TI4/O5 has no effect when the TI4/O5 register is acting as IC4. PA7 drives the pulse accumulator input but also can be configured for general-purpose I/O, or output compare. Note that even when PA7 is configured as an output, the pin still drives the pulse accumulator input.



**DDRA** — Data Direction Register for Port A**\$0001**

	Bit 7	6	5	4	3	2	1	Bit 0
	DDA7	DDA6	DDA5	DDA4	DDA3	DDA2	DDA1	DDA0
RESET:	0	0	0	0	0	0	0	0

**DDA[7:0]** —Data Direction for Port A

0 = Bits set to zero to configure corresponding I/O pin for input only

1 = Bits set to one to configure corresponding I/O pin for output

**PORTB** —Port B Data**\$0004**

	Bit 7	6	5	4	3	2	1	Bit 0
	PB7	PB6	PB5	PB4	PB3	PB2	PB1	PB0
S. Chip or Boot:	PB7	PB6	PB5	PB4	PB3	PB2	PB1	PB0
RESET:	U	U	U	U	U	U	U	U
Expan. or Test:	ADDR15	ADDR14	ADDR13	ADDR12	ADDR11	ADDR10	ADDR9	ADDR8

Reset state is mode dependent. In single-chip or bootstrap modes, port B pins are high impedance inputs with selectable internal pull-up resistors. In expanded or test modes, port B pins are high order address outputs and PORTB is not in the memory map.

**DDRB** — Data Direction Register for Port B**\$0002**

	Bit 7	6	5	4	3	2	1	Bit 0
	DDB7	DDB6	DDB5	DDB4	DDB3	DDB2	DDB1	DDB0
RESET:	0	0	0	0	0	0	0	0

**DDB[7:0]** — Data Direction for Port B

0 = Bits set to zero to configure corresponding I/O pin for input only

1 = Bits set to one to configure corresponding I/O pin for output

**PORTF** — Port F Data**\$0005**

	Bit 7	6	5	4	3	2	1	Bit 0
	PF7	PF6	PF5	PF4	PF3	PF2	PF1	PF0
S. Chip or Boot:	PF7	PF6	PF5	PF4	PF3	PF2	PF1	PF0
RESET:	U	U	U	U	U	U	U	U
Expan. or Test:	ADDR7	ADDR6	ADDR5	ADDR4	ADDR3	ADDR2	ADDR1	ADDR0

Reset state is mode dependent. In single-chip or bootstrap modes, port F pins are high-impedance inputs with selectable internal pull-up resistors. In expanded or test modes, port F pins are low order address outputs and PORTF is not in the memory map.

**DDRF** —Data Direction Register for Port F**\$0003**

	Bit 7	6	5	4	3	2	1	Bit 0
	DDF7	DDF6	DDF5	DDF4	DDF3	DDF2	DDF1	DDF0
RESET:	0	0	0	0	0	0	0	0

**DDF[7:0]** — Data Direction for Port F

0 = Bits set to zero to configure corresponding I/O pin for input only

1 = Bits set to one to configure corresponding I/O pin for output

**PORTC** —Port C Data**\$0006**

	Bit 7	6	5	4	3	2	1	Bit 0
	PC7	PC6	PC5	PC4	PC3	PC2	PC1	PC0
S. Chip or Boot:	PC7	PC6	PC5	PC4	PC3	PC2	PC1	PC0
RESET:	0	0	0	0	0	0	0	0
Expan. or Test:	DATA7	DATA6	DATA5	DATA4	DATA3	DATA2	DATA1	DATA0

Reset state is mode dependent. In single-chip or bootstrap modes, port C pins are high-impedance inputs. It is customary to have an external pull-up resistor on lines that are driven by open-drain devices. In expanded or test modes, port C pins are data bus inputs and outputs and PORTC is not in the memory map.

**DDRC** — Data Direction Register for Port C**\$0007**

	Bit 7	6	5	4	3	2	1	Bit 0
	DDC7	DDC6	DDC5	DDC4	DDC3	DDC2	DDC1	DDC0
RESET:	0	0	0	0	0	0	0	0

**DDC[7:0]** — Data Direction for Port C

0 = Bits set to zero to configure corresponding I/O pin for input only

1 = Bits set to one to configure corresponding I/O pin for output

**PORTD** — Port D Data**\$0008**

	Bit 7	6	5	4	3	2	1	Bit 0
	0	0	PD5	PD4	PD3	PD2	PD1	PD0
RESET:	0	0	U	U	U	U	U	U
Alt. Pin Func.:	—	—	$\overline{SS}$	SCK	MOSI	MISO	TxD	RxD

**DDRD** — Data Direction Register for Port D**\$0009**

	Bit 7	6	5	4	3	2	1	Bit 0
	—	—	DDD5	DDD4	DDD3	DDD2	DDD1	DDD0
RESET:	0	0	0	0	0	0	0	0

Bits [7:6] — Not implemented  
Always read zero

**DDD[5:0]** — Data Direction for Port D

0 = Bits set to zero to configure corresponding I/O pin for input only  
1 = Bits set to one to configure corresponding I/O pin for output

**NOTE**

When the SPI system is in slave mode, DDD5 has no meaning nor effect. When the SPI system is in master mode, DDD5 determines whether bit 5 of PORTD is an error detect input (DDD5 = 0) or a general-purpose output (DDD5 = 1). If the SPI system is enabled and expects any of bits [4:2] to be an input that bit will be an input regardless of the state of the associated DDR bit. If any of bits [4:2] are expected to be outputs that bit will be an output **only** if the associated DDR bit is set.

**PORTE** — Port E Data**\$000A**

	Bit 7	6	5	4	3	2	1	Bit 0
	PE7*	PE6*	PE5*	PE4*	PE3	PE2	PE1	PE0
RESET:	U	U	U	U	U	U	U	U
Alt. Pin Func.:	AN7	AN6	AN5	AN4	AN3	AN2	AN1	AN0

\*Not bonded on 64-pin version.

**PPAR** — Port Pull-Up Assignment**\$002C**

	Bit 7	6	5	4	3	2	1	Bit 0
	—	—	—	—	HPPUE	GPPUE	FPPUE	BPPUE
RESET:	0	0	0	0	1	1	1	1

Bits [7:4] — Not implemented  
Always read zero

**xPPUE** — Port x Pin Pull-Up Enable

Refer to PAREN bit in CONFIG register discussed in **6 Parallel Input/Output**.

0 = Port x pin on-chip pull-up devices disabled  
1 = Port x pin on-chip pull-up devices enabled

**NOTE**

FPPUE and BPPUE do not apply in expanded mode because ports F and B are address outputs.

**PORTH** — Port H Data**\$007C**

	Bit 7	6	5	4	3	2	1	Bit 0
	—	—	—	—	PH3	PH2	PH1	PH0
RESET:	0	0	0	0	U	U	U	U
Alt. Pin Func.:	—	—	—	—	PW4	PW3	PW2	PW1

Port H pins reset to high-impedance inputs with selectable internal pull-up resistors.

**DDRH** — Data Direction Register for Port H**\$007D**

	Bit 7	6	5	4	3	2	1	Bit 0
	—	—	—	—	DDH3	DDH2	DDH1	DDH0
RESET:	0	0	0	0	1	1	1	1

Bits [7:4] — Not implemented  
Always read zero

DDH[3:0] — Data Direction for Port H

0 = Bits set to zero to configure corresponding I/O pin for input only

1 = Bits set to one to configure corresponding I/O pin for output

**NOTE**

In any mode, PWM circuitry forces the I/O state to be an output for each port H line associated with an enabled pulse-width modulator channel. In these cases, data direction bits are not changed and have no effect on these lines. DDRH reverts to controlling the I/O state of a pin when the associated function is disabled. Refer to **12 Pulse-Width Modulation Timer** for further information.

**PORTG** — Port G Data**\$007E**

	Bit 7	6	5	4	3	2	1	Bit 0
	PG7	—	—	—	—	—	—	—
RESET:	U	0	0	0	0	0	0	0
Alt. Pin Func.:	R/ $\bar{W}$	—	—	—	—	—	—	—

Port G pins reset to high-impedance inputs with selectable internal pull-up resistors. In expanded and special test modes PG7 becomes R/ $\bar{W}$ .

**DDRG** — Data Direction Register for Port G**\$007F**

	Bit 7	6	5	4	3	2	1	Bit 0
	DDG7	—	—	—	—	—	—	—
RESET:	0	0	0	0	0	0	0	0

DDG7 — Data Direction for Port G

0 = Bit set to zero to configure corresponding I/O pin for input only

1 = Bit set to one to configure corresponding I/O pin for output

In expanded and test modes, bit 7 is configured for R/ $\bar{W}$ , forcing the state of this pin to be an output although the DDRG value remains zero.

Bits [6:0] — Not implemented  
Always read zero

## 7 Serial Communications Interface

The SCI, a universal asynchronous receiver transmitter (UART) serial communications interface, is one of two independent serial I/O subsystems in the MC68HC11KA4/KA2. Rearranging registers and control bits used in previous M68HC11 family devices has enhanced the existing SCI system and added new features, which include the following:

- A 13-bit modulus prescaler that allows greater baud rate control
- A new idle mode detect, independent of preceding serial data
- A receiver active flag
- Hardware parity for both transmitter and receiver

The enhanced baud rate generator is shown in the following diagram. Refer to the table of SCI baud rate control values for standard values.

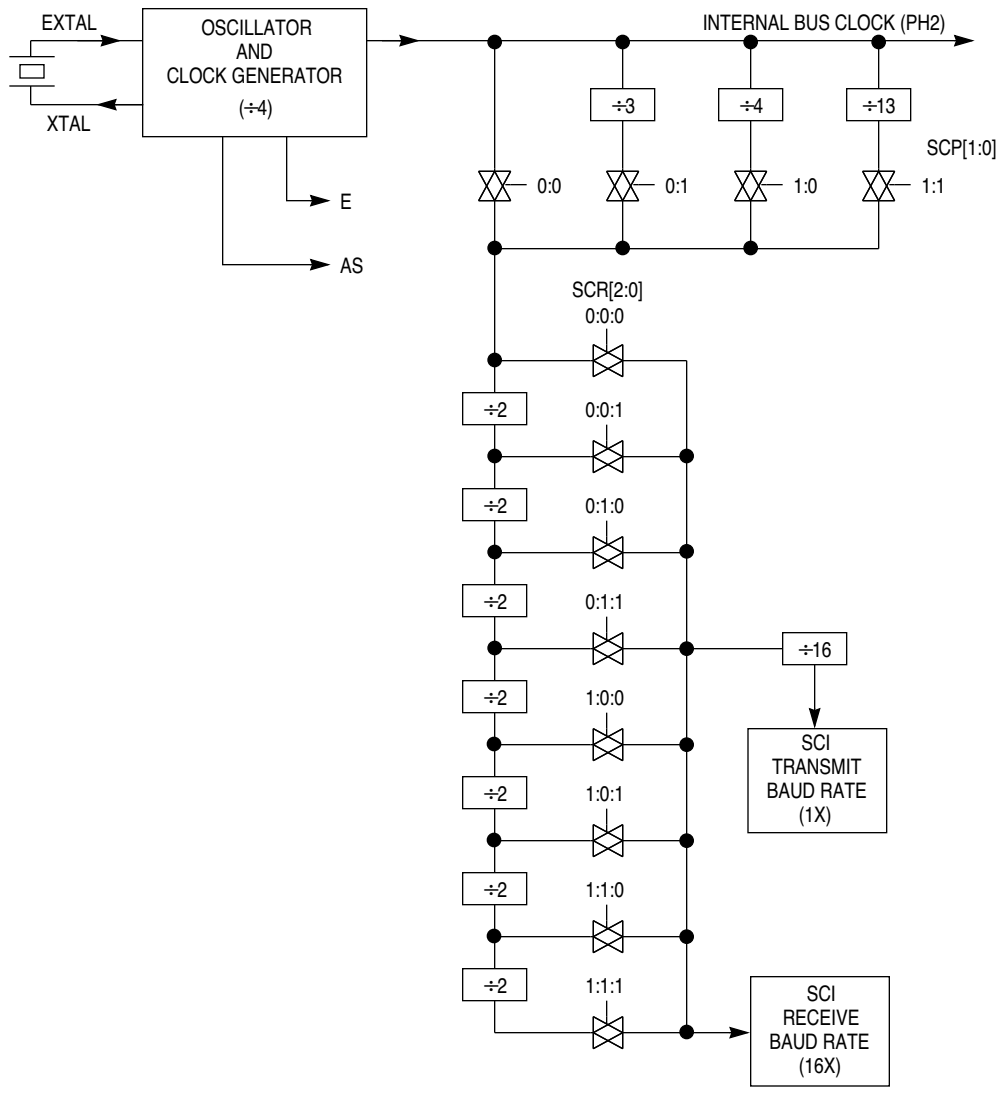


Figure 9 SCI Baud Generator Circuit Diagram

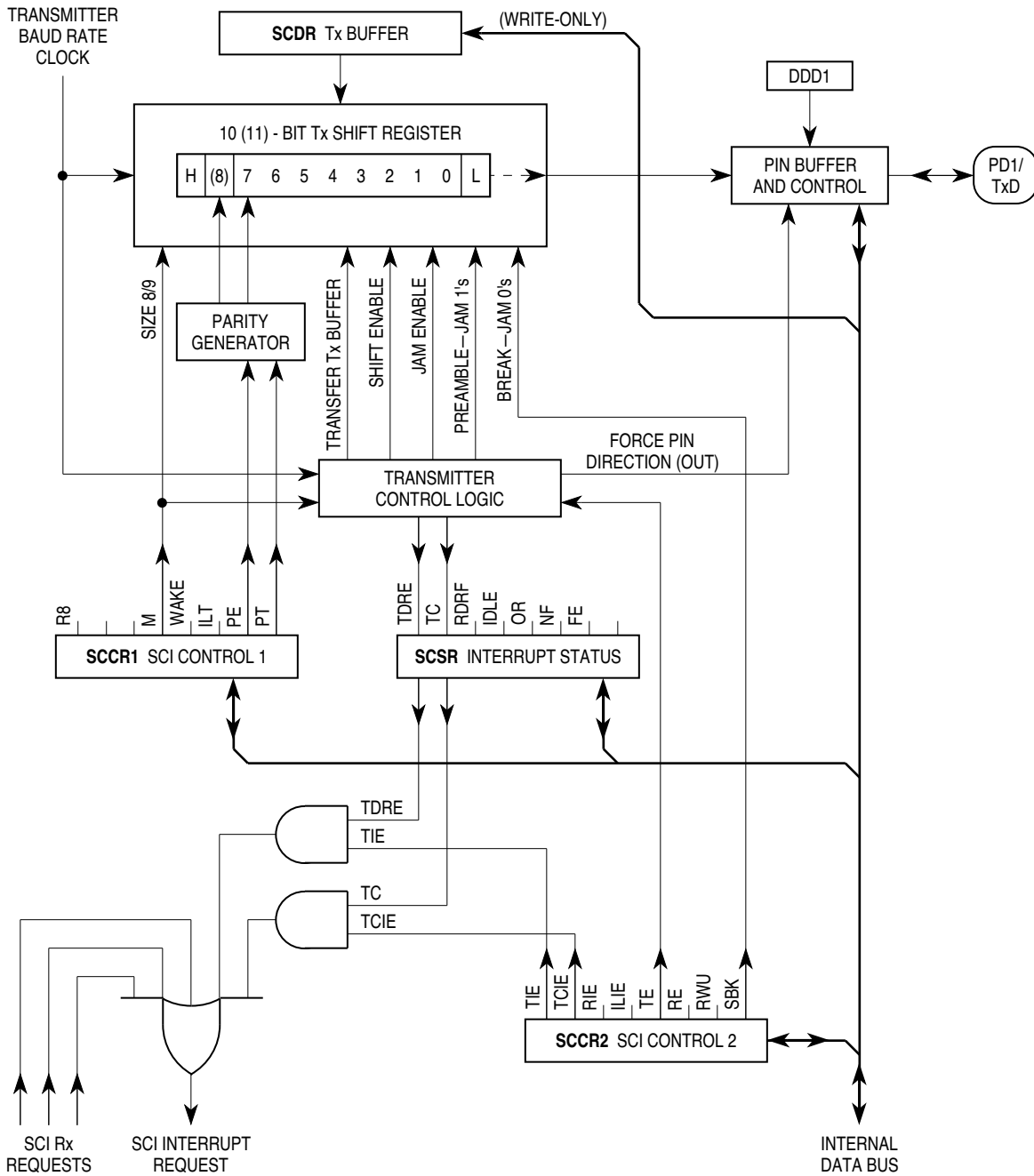


Figure 10 SCI Transmitter Block Diagram

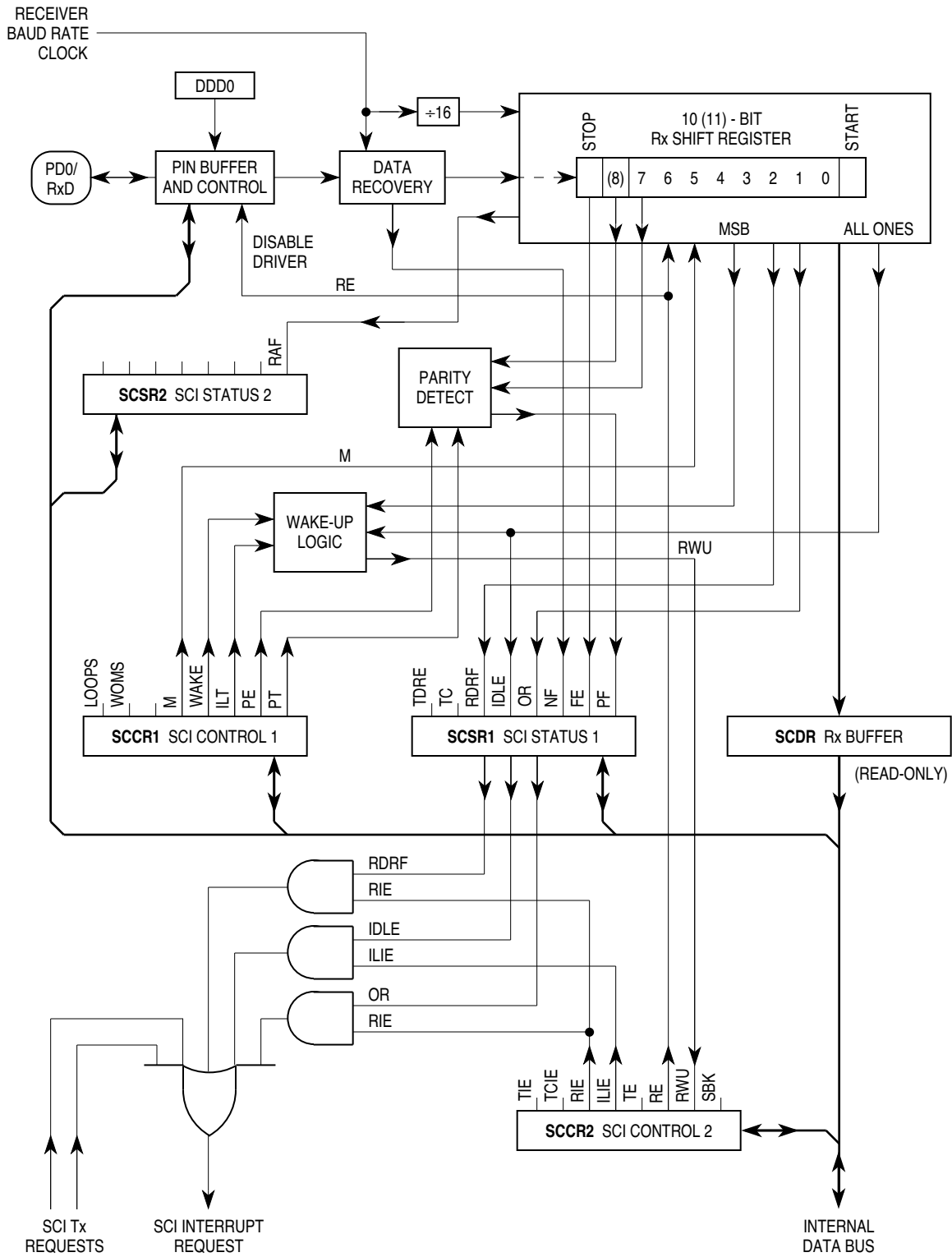


Figure 11 SCI Receiver Block Diagram

**SCBDH/L** —SCI Baud Rate Control High/Low

**\$0070, \$0071**

	Bit 7	6	5	4	3	2	1	Bit 0	
\$0070	BTST	BSPL	—	SBR12	SBR11	SBR10	SBR9	SBR8	High
RESET:	0	0	0	0	0	0	0	0	
\$0071	SBR7	SBR6	SBR5	SBR4	SBR3	SBR2	SBR1	SBR0	Low
RESET:	0	0	0	0	0	1	0	0	

BTST — Baud Register Test (TEST)

BSPL — Baud Rate Counter Split (TEST)

Bit 5 — Not implemented  
Always reads zero

SBR[12:0] — SCI Baud Rate Selects

Use the following formula to calculate SCI baud rate. Refer to the table of baud rate control values for example rates:

$$\text{SCI baud rate} = \text{EXTAL} \div [16 (2 \text{ BR})]$$

Where BR is the contents of SCBDH, L (BR = 1, 2, 3, ..., 8191).

BR = 0 disables the baud rate generator.

**Table 7 SCI Baud Rate Control Values**

Target Baud Rate	Crystal Frequency (EXTAL)					
	8 MHz		12 MHz		16 MHz	
	Dec Value	Hex Value	Dec Value	Hex Value	Dec Value	Hex Value
110	2272	\$08E0	3409	\$0D51	4545	\$11C1
150	1666	\$0682	2500	\$09C4	3333	\$0D05
300	833	\$0341	1250	\$04E2	1666	\$0682
600	416	\$01A0	625	\$0271	833	\$0341
1200	208	\$00D0	312	\$0138	416	\$01A0
2400	104	\$0068	156	\$009C	208	\$00D0
4800	52	\$0034	78	\$004E	104	\$0068
9600	26	\$001A	39	\$0027	52	\$0034
19.2 K	13	\$000D	20	\$0014	26	\$001A
38.4 K	—	—	—	—	13	\$000D

**SCCR1** —SCI Control 1

**\$0072**

	Bit 7	6	5	4	3	2	1	Bit 0
	LOOPS	WOMS	—	M	WAKE	ILT	PE	PT
RESET:	0	0	0	0	0	0	0	0

LOOPS — SCI LOOP Mode Enable

0 = SCI transmit and receive operate normally

1 = SCI transmit and receive are disconnected from TxD and RxD pins, and transmitter output is fed back into the receiver input



WOMS — Wired-OR Mode for SCI Pins (PD1, PD0; See also DWOM bit in SPCR.)

0 = TxD and RxD operate normally

1 = TxD and RxD are open drains if operating as an output

Bit 5 — Not implemented

Always reads zero

M — Mode (Select Character Format)

0 = Start bit, 8 data bits, 1 stop bit

1 = Start bit, 9 data bits, 1 stop bit

WAKE — Wakeup by Address Mark/Idle

0 = Wakeup by IDLE line recognition

1 = Wakeup by address mark (most significant data bit set)

ILT — Idle Line Type

0 = Short (SCI counts consecutive ones after start bit)

1 = Long (SCI counts ones only after stop bit)

PE — Parity Enable

0 = Parity disabled

1 = Parity enabled

PT — Parity Type

0 = Parity even (even number of ones causes parity bit to be zero, odd number of ones causes parity bit to be one)

1 = Parity odd (odd number of ones causes parity bit to be zero, even number of ones causes parity bit to be one)

**SCCR2 —SCI Control 2**

**\$0073**

	Bit 7	6	5	4	3	2	1	Bit 0
	TIE	TCIE	RIE	ILIE	TE	RE	RWU	SBK
RESET:	0	0	0	0	0	0	0	0

TIE — Transmit Interrupt Enable

0 = TDRE interrupts disabled

1 = SCI interrupt requested when TDRE status flag is set

TCIE — Transmit Complete Interrupt Enable

0 = TC interrupts disabled

1 = SCI interrupt requested when TC status flag is set

RIE — Receiver Interrupt Enable

0 = RDRF and OR interrupts disabled

1 = SCI interrupt requested when RDRF flag or the OR status flag is set

ILIE — Idle Line Interrupt Enable

0 = IDLE interrupts disabled

1 = SCI interrupt requested when IDLE status flag is set

TE — Transmitter Enable

0 = Transmitter disabled

1 = Transmitter enabled

RE — Receiver Enable  
 0 = Receiver disabled  
 1 = Receiver enabled

RWU — Receiver Wakeup Control  
 0 = Normal SCI receiver  
 1 = Wakeup enabled and receiver interrupts inhibited

SBK — Send Break  
 0 = Break generator off  
 1 = Break codes generated as long as SBK = 1

**SCSR1** —SCI Status Register 1

**\$0074**

	Bit 7	6	5	4	3	2	1	Bit 0
	TDRE	TC	RDRF	IDLE	OR	NF	FE	PF
RESET:	1	1	0	0	0	0	0	0

TDRE — Transmit Data Register Empty Flag  
 This flag is set when SCDR is empty. Clear the TDRE flag by reading SCSR1 with TDRE set and then writing to SCDR.  
 0 = SCDR busy  
 1 = SCDR empty

TC — Transmit Complete Flag  
 This flag is set when the transmitter is idle (no data, preamble, or break transmission in progress). Clear the TC flag by reading SCSR1 with TC set and then writing to SCDR.  
 0 = Transmitter busy  
 1 = Transmitter idle

RDRF — Receive Data Register Full Flag  
 Once cleared, IDLE is not set again until the RxD line has been active and becomes idle again. RDRF is set if a received character is ready to be read from SCDR. Clear the RDRF flag by reading SCSR1 with RDRF set and then reading SCDR.  
 0 = SCDR empty  
 1 = SCDR full

IDLE — Idle Line Detected Flag  
 This flag is set if the RxD line is idle. Once cleared, IDLE is not set again until the RxD line has been active and becomes idle again. The IDLE flag is inhibited when RWU = 1. Clear IDLE by reading SCSR1 with IDLE set and then reading SCDR.  
 0 = RxD line is active  
 1 = RxD line is idle

OR — Overrun Error Flag  
 OR is set if a new character is received before a previously received character is read from SCDR. Clear the OR flag by reading SCSR1 with OR set and then reading SCDR.  
 0 = No overrun  
 1 = Overrun detected

NF — Noise Error Flag  
 NF is set if majority sample logic detects anything other than a unanimous decision. Clear NF by reading SCSR1 with NF set and then reading SCDR.  
 0 = Unanimous decision  
 1 = Noise detected

**FE — Framing Error**

FE is set when a zero is detected where a stop bit was expected. Clear the FE flag by reading SCSR1 with FE set and then reading SCDR.

0 = Stop bit detected

1 = Zero detected

**PF — Parity Error Flag**

PF is set if received data has incorrect parity. Clear PF by reading SCSR1 with PE set and then reading SCDR.

0 = Parity correct

1 = Incorrect parity detected

**SCSR2 —SCI Status Register 2****\$0075**

	Bit 7	6	5	4	3	2	1	Bit 0
	—	—	—	—	—	—	—	RAF
RESET:	0	0	0	0	0	0	0	0

Bits [7:1] — Not implemented

Always read zero

**RAF — Receiver Active Flag (Read only)**

0 = A character is not being received

1 = A character is being received

**SCDRH/L —SCI Data Register High/Low****\$0076, \$0077**

	Bit 7	6	5	4	3	2	1	Bit 0	
\$0076	R8	T8	—	—	—	—	—	—	SCDRH (High)
\$0077	R7/T7	R6/T6	R5/T5	R4/T4	R3/T3	R2/T2	R1/T1	R0/T0	SCDRL (Low)

**R8 — Receiver Bit 8**

Ninth serial data bit received when SCI is configured for a nine data bit operation.

**T8 — Transmitter Bit 8**

Ninth serial data bit transmitted when SCI is configured for a nine data bit operation.

Bits [5:0] — Not implemented

Always read zero

**R/T[7:0] — Receiver/Transmitter Data Bits [7:0]**

SCI data is double buffered in both directions.

## 8 Serial Peripheral Interface

The SPI allows the MCU to communicate synchronously with peripheral devices and other microprocessors. Data rates can be as high as 2 Mbits per second when configured as a master and 4 Mbits per second when configured as a slave (assuming 4 MHz bus speed).

Two control bits in OPT2 allow the transfer of data either MSB or LSB first and select an additional divide by four stage to be inserted before the SPI baud rate clock divider.

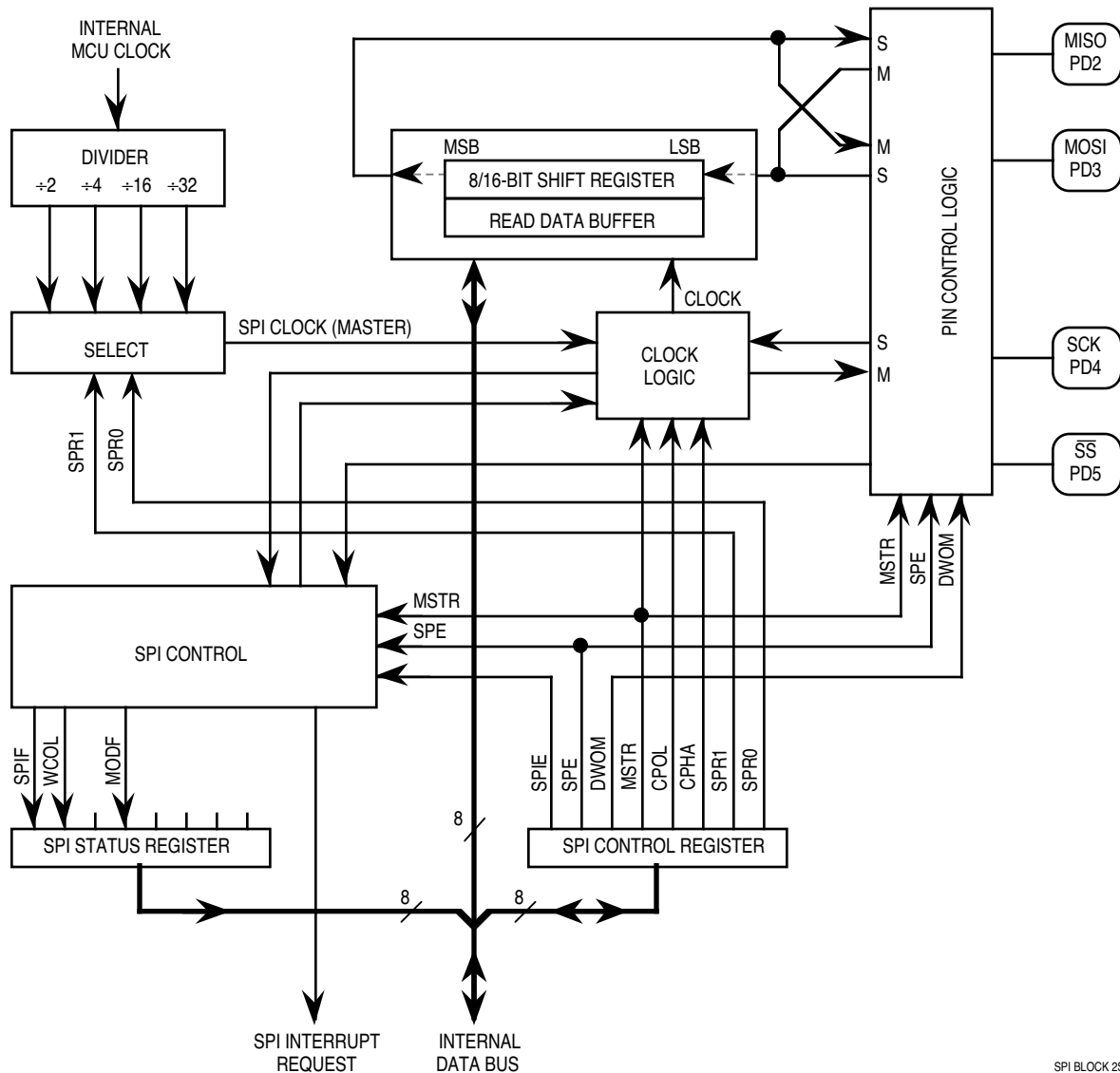


Figure 12 SPI Block Diagram

**SPCR** —Serial Peripheral Control Register

**\$0028**

	Bit 7	6	5	4	3	2	1	Bit 0
	SPIE	SPE	DWOM	MSTR	CPOL	CPHA	SPR1	SPR0
RESET:	0	0	0	0	0	1	U	U

**SPIE** — Serial Peripheral Interrupt Enable

- 0 = SPI interrupts disabled
- 1 = SPI interrupts enabled

**SPE** — Serial Peripheral System Enable

- 0 = SPI off
- 1 = SPI on

**DWOM** — Port D Wired-OR Mode Option for SPI Pins PD[5:2] (See also WOMS bit in SCCR1.)

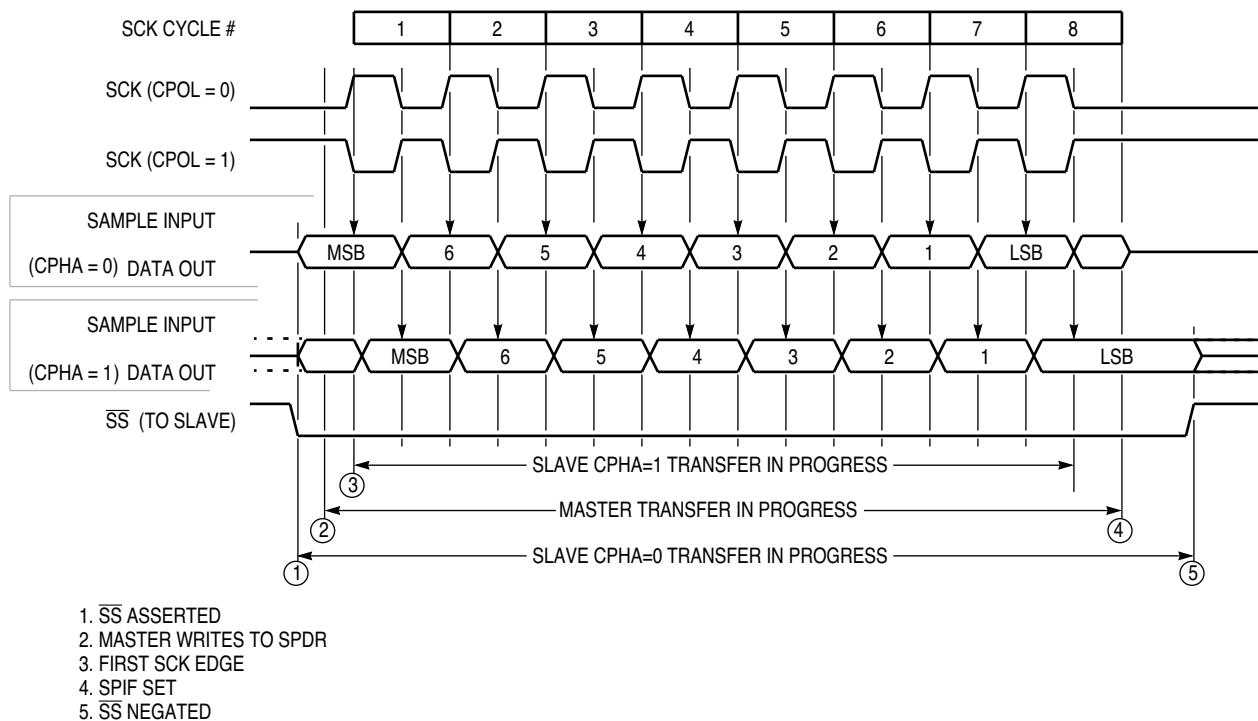
- 0 = Normal CMOS outputs
- 1 = Open-drain outputs

**MSTR** — Master Mode Select

- 0 = Slave mode
- 1 = Master mode

**CPOL, CPHA** — Clock Polarity, Clock Phase

Refer to SPI Transfer Format.



SPI TRANSFER FORMAT 1

**Figure 13 SPI Transfer Format**

### NOTE

This figure shows transmission order when LSBF = 0 default. If LSBF = 1, data is transferred in reverse order (LSB first).

SPR2, SPR1 and SPR0 — SPI Clock Rate Selects (SPR2 is located in OPT2 register)

SPR[2:0]	Divide E Clock By	Frequency at E = 2 MHz (Baud)
0 0 0	2	1.0 MHz
0 0 1	4	500 kHz
0 1 0	16	125 kHz
0 1 1	32	62.5 kHz
1 0 0	8	250 kHz
1 0 1	16	125 kHz
1 1 0	64	31.3 kHz
1 1 1	128	15.6 kHz

**SPSR** —Serial Peripheral Status Register

**\$0029**

Bit 7	6	5	4	3	2	1	Bit 0
SPIF	WCOL	—	MODF	—	—	—	—
RESET:	0	0	0	0	0	0	0

**SPIF** — SPI Transfer Complete Flag

This flag is set when an SPI transfer is complete (after eight SCK cycles in a data transfer). Clear this flag by reading SPSR (with SPIF = 1), then access SPDR data register.

0 = No SPI transfer complete or SPI transfer still in progress

1 = SPI transfer complete

**WCOL** — Write Collision

This flag is set if the MCU tries to write data into SPDR while an SPI data transfer is in progress. Clear this flag by reading SPSR (WCOL = 1), then access SPDR.

0 = No write collision

1 = Write collision

**Bit 5** — Not implemented

Always reads zero

**MODF** — Mode Fault (Mode fault terminates SPI operation)

0 = No mode fault

1 = Mode fault ( $\overline{SS}$  is pulled low while MSTR = 1)

**Bits [3:0]** — Not implemented

Always read zero

**SPDR** —SPI Data

**\$002A**

Bit 7	6	5	4	3	2	1	Bit 0
Bit 7	6	5	4	3	2	1	Bit 0

SPI is double buffered in, single buffered out.

**OPT2** —System Configuration Options 2**\$0038**

	Bit 7	6	5	4	3	2	1	Bit 0
	LIRDV	CWOM	—	IRVNE	LSBF	SPR2	XDV1	XDV0
RESET:	0	0	0	—	0	0	0	0

LIRDV— LIR Driven

Refer to **2 Operating Modes and On-Chip Memory**.

CWOM — Port C Wired-OR Mode

Refer to **6 Parallel Input/Output**.

Bit 5 — Not implemented

Always reads zero

IRVNE — Internal Read Visibility/Not E

Refer to **2 Operating Modes and On-Chip Memory**.

LSBF — SPI LSB First Enable

0 = SPI data transferred MSB first

1 = SPI data transferred LSB first

SPR2 — SPI Clock (SCK) Rate Select

Adds a divide by four prescaler to SPI clock chain. Refer to SPCR register.

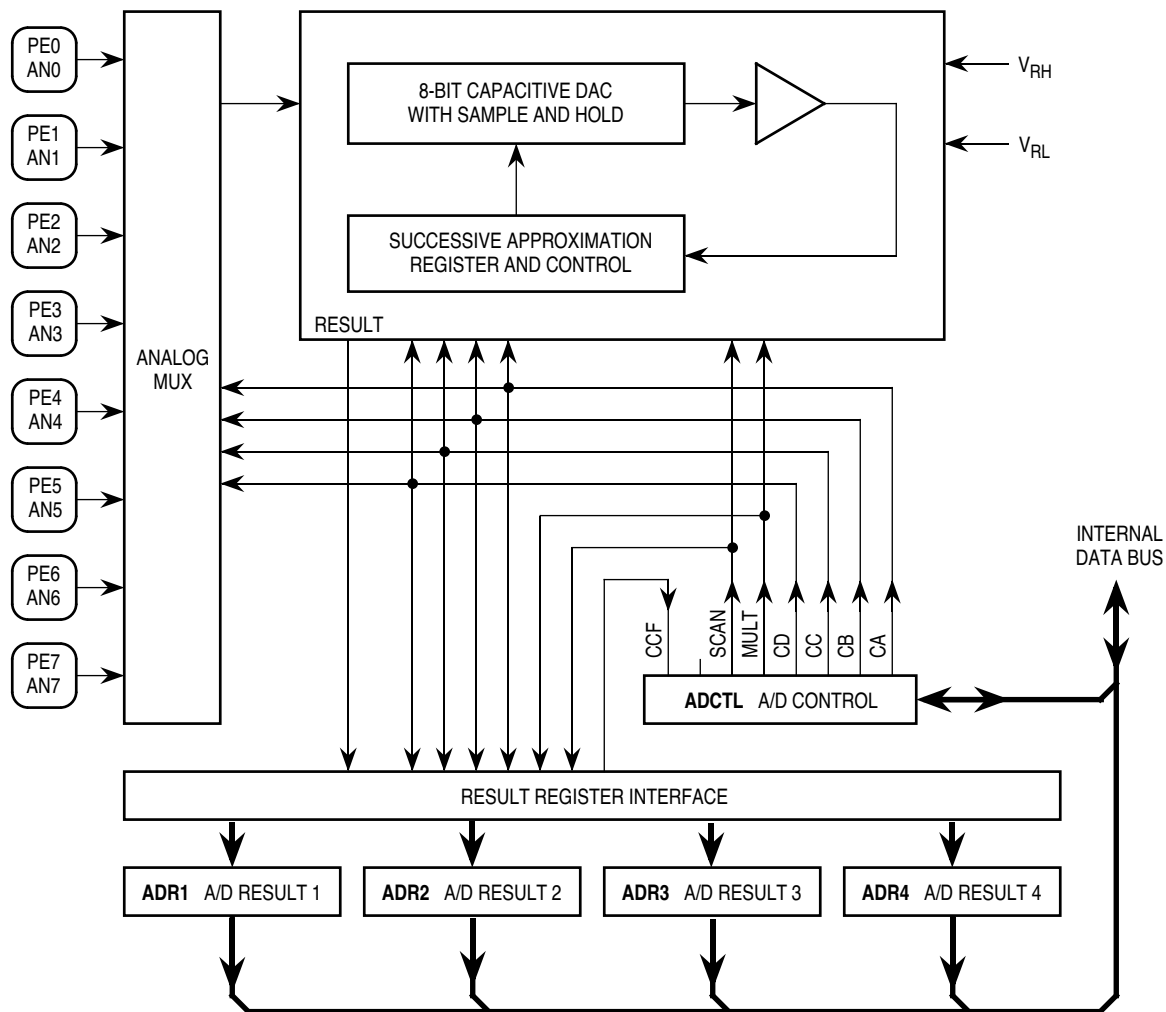
XDV[1:0] — XOUT Clock Divide Select

Refer to **2 Operating Modes and On-Chip Memory**.

## 9 Analog-to-Digital Converter

The analog-to-digital (A/D) converter system uses an all-capacitive charge-redistribution technique to convert analog signals to digital values. The MC68HC11KA4/KA2 A/D converter system is an 8-channel (four channels on 64-pin version), 8-bit, multiplexed-input, successive-approximation converter. It does not require external sample and hold circuits. The sample and hold time is 12 clock cycles. Refer to **Figure 15**.

The clock source for the A/D converter's charge pump, like the clock source for the EEPROM charge pump, is selected with the CSEL bit in the OPTION register. When the E clock is slower than 1 MHz, the CSEL bit must be set to ensure that the successive approximation sequence for the A/D converter will be completed before any charge loss occurs. In the case of the EEPROM, it is the efficiency of the charge pump that is affected.



EAG A/D BLOCK

**Figure 14 A/D Converter Block Diagram**

The A/D converter can operate in single or multiple conversion modes. Multiple conversions are performed in sequences of four. Sequences can be performed on a single channel or on a group of channels.



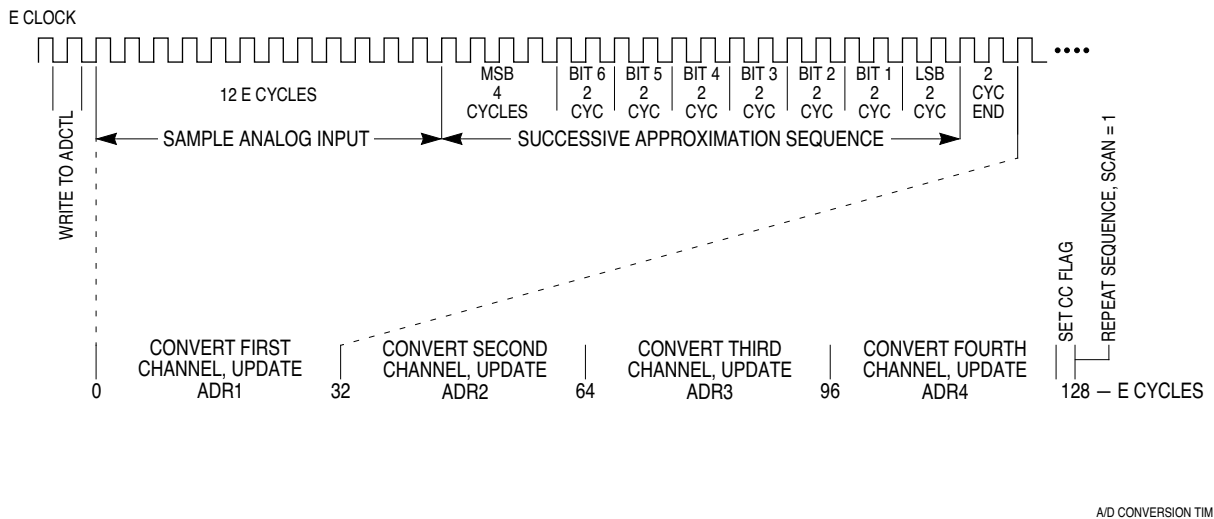
Pins  $AV_{DD}$  and  $AV_{SS}$  provide the supply voltage to the digital portion of the A/D converter. Pins  $V_{RH}$  and  $V_{RL}$  provide the reference supply voltage inputs.

A multiplexer allows the single A/D converter to select one of 16 analog input signals. Refer to the A/D converter channel assignment bits CD–CA description.

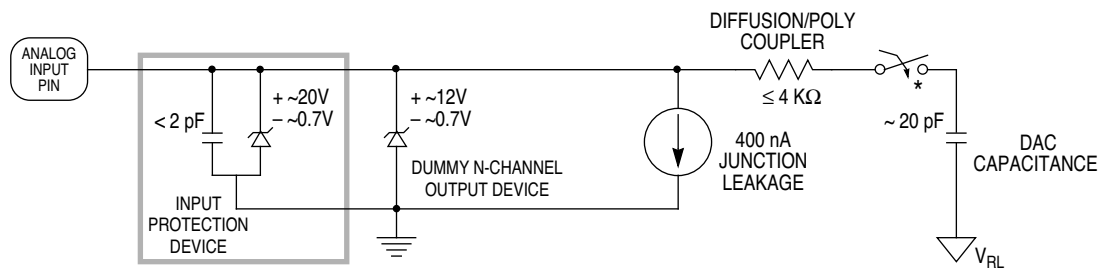
The A/D converter control logic implements automatic conversion sequences on a selected channel four times or on a group of four channels once each. A write to the ADCTL register initiates conversions and, if made while a conversion is in process, a write to ADCTL also halts a conversion operation in progress.

When the MULT bit is zero, the A/D converter system is configured to perform four consecutive conversions on the single channel specified by the four channel-select bits (CD–CA). When the MULT bit is one, the A/D system is configured to perform conversions on each channel in the group of four channels specified by the CD and CC channel select bits. Refer to **Table 8**.

When the SCAN bit is zero, four conversions are performed in the desired channel group, once each, to fill the four result registers. When SCAN is one, conversions continue channel-by-channel in the desired group with the result registers being updated continually as new data becomes available.



**Figure 15 Timing Diagram for a Sequence of Four A/D Conversions**



\* THIS ANALOG SWITCH IS CLOSED ONLY DURING THE 12-CYCLE SAMPLE TIME.

**Figure 16 Electrical Model of an Analog Input Pin (Sample Mode)**

**ADCTL** —A/D Control/Status

**\$0030**

	Bit 7	6	5	4	3	2	1	Bit 0
	CCF	—	SCAN	MULT	CD	CC	CB	CA
RESET:	0	0	0	0	0	0	0	0

**CCF** — Conversions Complete Flag

CCF is set after an A/D conversion cycle and cleared when ADCTL is written.

**Bit 6** — Not implemented

Always reads zero

**SCAN** — Continuous Scan Control

0 = Do four conversions and stop

1 = Convert four channels in selected group continuously

**MULT** — Multiple Channel/Single Channel Control

0 = Convert single channel selected

1 = Convert four channels in selected group

**CD–CA** — Channel Select D through A

**Table 8 A/D Converter Channel Assignments**

Channel Select Control Bits				Channel Signal	Result in ADRx if MULT = 1
CD	CC	CB	CA		
0	0	0	0	AN0	ADR1
0	0	0	1	AN1	ADR2
0	0	1	0	AN2	ADR3
0	0	1	1	AN3	ADR4
0	1	0	0	AN4	ADR1
0	1	0	1	AN5	ADR2
0	1	1	0	AN6	ADR3
0	1	1	1	AN7	ADR4
1	0	0	0	Reserved	—
1	0	0	1	Reserved	—
1	0	1	0	Reserved	—
1	0	1	1	Reserved	—
1	1	0	0	V <sub>RH</sub> *	ADR1
1	1	0	1	V <sub>RL</sub> *	ADR2
1	1	1	0	(V <sub>RH</sub> )/2*	ADR3
1	1	1	1	Reserved*	ADR4

\*Used for factory testing

**ADR[4:1]** —A/D Results

**\$0031–\$0034**

\$0031	Bit 7	6	5	4	3	2	1	Bit 0	ADR1
\$0032	Bit 7	6	5	4	3	2	1	Bit 0	ADR2
\$0033	Bit 7	6	5	4	3	2	1	Bit 0	ADR3
\$0034	Bit 7	6	5	4	3	2	1	Bit 0	ADR4

**OPTION —System Configuration Options****\$0039**

	Bit 7	6	5	4	3	2	1	Bit 0
	ADPU	CSEL	IRQE*	DLY*	CME	FCME*	CR1*	CR0*
RESET:	0	0	0	1	0	0	0	0

\*Can be written only once in first 64 cycles out of reset in normal modes, any time in special mode.

ADPU — A/D Converter Power-Up

0 = A/D converter powered down

1 = A/D converter powered up

CSEL — Clock Select

0 = A/D and EEPROM use system E clock

1 = A/D and EEPROM use internal RC clock source

IRQE — IRQ Select Edge Sensitive Only

Refer to **5 Resets and Interrupts**.

DLY — Enable Oscillator Start-up Delay on Exit from Stop

Refer to **5 Resets and Interrupts**.

CME — Clock Monitor Enable

Refer to **5 Resets and Interrupts**.

FCME — Force Clock Monitor Enable

Refer to **5 Resets and Interrupts**.

CR[1:0] — COP Timer Rate Select

Refer to **5 Resets and Interrupts**.

## 10 Main Timer

The timing system is based on a free-running 16-bit counter with a four-stage programmable prescaler. A timer overflow function allows software to extend the system's timing capability beyond the counter's 16-bit range.

The timer has three channels of input capture, four channels of output compare, and one channel that can be configured as a fourth input capture or a fifth output compare. In addition, the timing system includes pulse accumulator and real-time interrupt (RTI) functions, as well as a clock monitor function, which can be used to detect clock failures that are not detected by the COP.

Refer to **11 Pulse Accumulator** and **10.1 Real-Time Interrupt** for further information about these functions. Refer to the following table for a summary of the crystal-related frequencies and periods.

**Table 9 Timer Summary**

Control Bits	XTAL Frequencies			Other Rates (E) (1/E)
	8.0 MHz	12.0 MHz	16.0 MHz	
	2.0 MHz	3.0 MHz	4.0 MHz	
	500 ns	333 ns	250 ns	
PR[1:0]	Main Timer Count Rates			
0 0 1 count — overflow —	500 ns 32.768 ms	333 ns 21.845 ms	250 ns 16.384 ms	(E/1) (E/2 <sup>16</sup> )
0 1 1 count — overflow —	2.0 μs 131.07 ms	1.333 μs 87.381 ms	1.0 μs 65.536 ms	(E/4) (E/2 <sup>18</sup> )
1 0 1 count — overflow —	4.0 μs 262.14 ms	2.667 μs 174.76 ms	2.0 μs 131.07 ms	(E/8) (E/2 <sup>19</sup> )
1 1 1 count — overflow —	8.0 μs 524.29 ms	5.333 μs 349.52 ms	4.0 μs 262.14 ms	(E/16) (E/2 <sup>20</sup> )
RTR[1:0]	Periodic (RTI) Interrupt Rates			
0 0	4.096 ms	2.731 ms	2.048 ms	(E/2 <sup>13</sup> )
0 1	8.192 ms	5.461 ms	4.096 ms	(E/2 <sup>14</sup> )
1 0	16.384 ms	10.923 ms	8.192 ms	(E/2 <sup>15</sup> )
1 1	32.768 ms	21.845 ms	16.384 ms	(E/2 <sup>16</sup> )
CR[1:0]	COP Watchdog Time-out Rates			
0 0	16.384 ms	10.923 ms	8.192 ms	(E/2 <sup>15</sup> )
0 1	65.536 ms	43.691 ms	32.768 ms	(E/2 <sup>17</sup> )
1 0	262.14 ms	174.76 ms	131.07 ms	(E/2 <sup>19</sup> )
1 1	1.049 s	699.05 ms	524.28 ms	(E/2 <sup>21</sup> )
Time-out Tolerance (-0 ms/+...)	16.4 ms	10.9 ms	8.192 ms	(E/2 <sup>15</sup> )

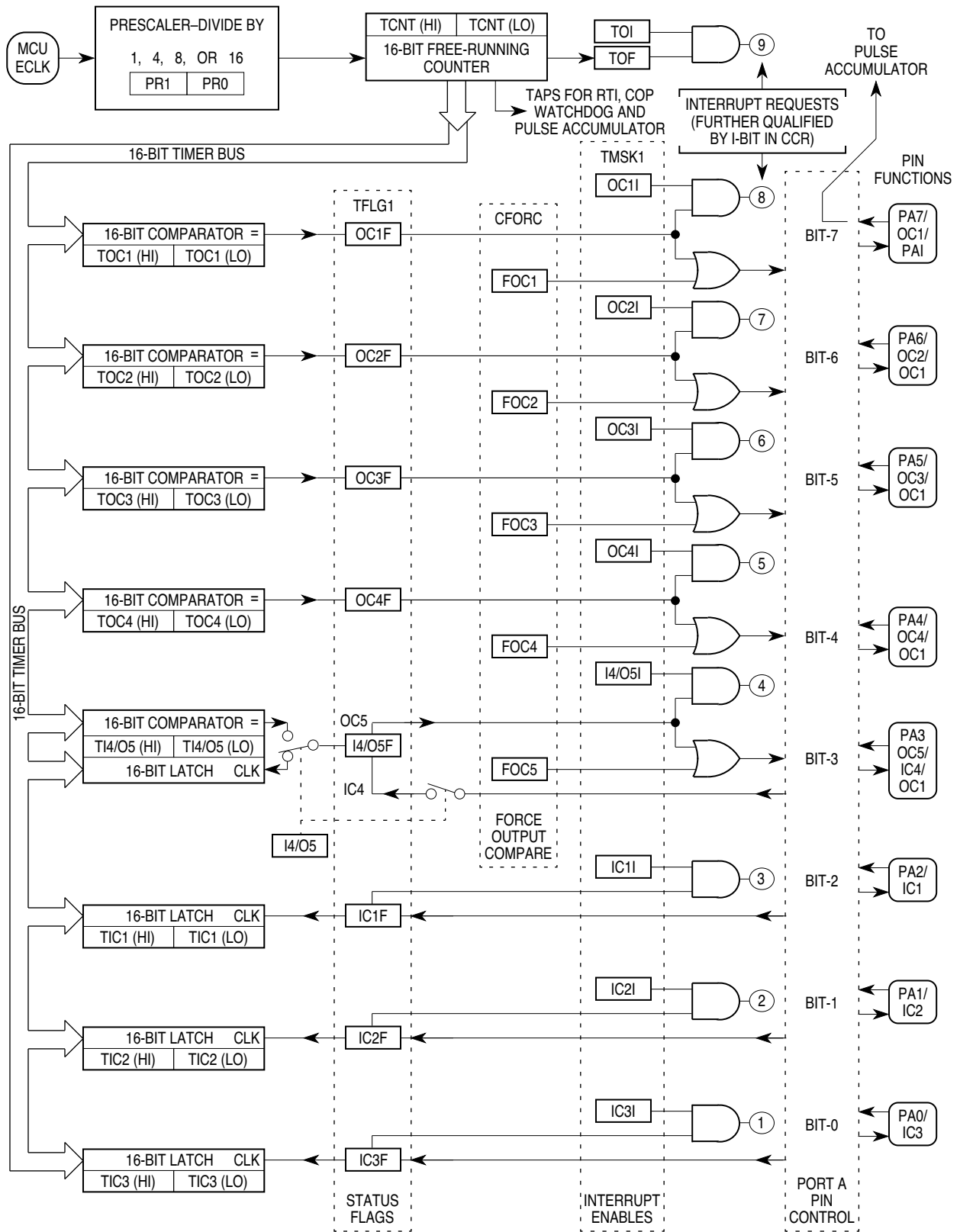


Figure 17 Timer Block Diagram

**CFORC** — Timer Compare Force**\$000B**

	Bit 7	6	5	4	3	2	1	Bit 0
	FOC1	FOC2	FOC3	FOC4	FOC5	—	—	—
RESET:	0	0	0	0	0	0	0	0

**FOC[5:1]** — Force Output Comparison

When the FOC bit associated with an output compare circuit is set, the output compare circuit immediately performs the action it is programmed to do when an output match occurs.

0 = Not affected

1 = Output x action occurs

**Bits [2:0]** — Not implemented

Always read zero

**OC1M** — Output Compare 1 Mask**\$000C**

	Bit 7	6	5	4	3	2	1	Bit 0
	OC1M7	OC1M6	OC1M5	OC1M4	OC1M3	—	—	—
RESET:	0	0	0	0	0	0	0	0

Set bit(s) to enable OC1 to control corresponding pin(s) of port A

**Bits [2:0]** — Not implemented

Always read zero

**OC1D** — Output Compare 1 Data**\$000D**

	Bit 7	6	5	4	3	2	1	Bit 0
	OC1D7	OC1D6	OC1D5	OC1D4	OC1D3	—	—	—
RESET:	0	0	0	0	0	0	0	0

If OC1M<sub>x</sub> is set, data in OC1D<sub>x</sub> is output to port A bit x on successful OC1 compares.**Bits [2:0]** — Not implemented

Always read zero

**TCNT** — Timer Count**\$000E, \$000F**

\$000E	Bit 15	14	13	12	11	10	9	Bit 8	High	<b>TCNT</b>
\$000F	Bit 7	6	5	4	3	2	1	Bit 0	Low	

TCNT resets to \$0000. In normal modes, TCNT is read-only.

**TIC1–TIC3** —Timer Input Capture**\$0010–\$0015**

\$0010	Bit 15	14	13	12	11	10	9	Bit 8	High	<b>TIC1</b>
\$0011	Bit 7	6	5	4	3	2	1	Bit 0	Low	
\$0012	Bit 15	14	13	12	11	10	9	Bit 8	High	<b>TIC2</b>
\$0013	Bit 7	6	5	4	3	2	1	Bit 0	Low	
\$0014	Bit 15	14	13	12	11	10	9	Bit 8	High	<b>TIC3</b>
\$0015	Bit 7	6	5	4	3	2	1	Bit 0	Low	

TIC<sub>x</sub> not affected by reset

**TOC1–TOC4 —Timer Output Compare**

**\$0016–\$001D**

\$0016	Bit 15	14	13	12	11	10	9	Bit 8	High	<b>TOC1</b>
\$0017	Bit 7	6	5	4	3	2	1	Bit 0	Low	
\$0018	Bit 15	14	13	12	11	10	9	Bit 8	High	<b>TOC2</b>
\$0019	Bit 7	6	5	4	3	2	1	Bit 0	Low	
\$001A	Bit 15	14	13	12	11	10	9	Bit 8	High	<b>TOC3</b>
\$001B	Bit 7	6	5	4	3	2	1	Bit 0	Low	
\$001C	Bit 15	14	13	12	11	10	9	Bit 8	High	<b>TOC4</b>
\$001D	Bit 7	6	5	4	3	2	1	Bit 0	Low	

All TOCx register pairs reset to ones (\$FFFF).

**TI4/O5 — Timer Input Capture 4/Output Compare 5**

**\$001E, \$001F**

\$001E	Bit 15	14	13	12	11	10	9	Bit 8	High
\$001F	Bit 7	6	5	4	3	2	1	Bit 0	Low

This is a shared register and is either input capture 4 or output compare 5 depending on the state of bit I4/O5 in PACTL. Writes to TI4/O5 have no effect when this register is configured as input capture 4. All TI4/O5 register pairs reset to ones (\$FFFF).

**TCTL1 — Timer Control 1**

**\$0020**

	Bit 7	6	5	4	3	2	1	Bit 0
	OM2	OL2	OM3	OL3	OM4	OL4	OM5	OL5
RESET:	0	0	0	0	0	0	0	0

OM[5:2] — Output Mode

OL[5:2] — Output Level

OMx	OLx	Action Taken on Successful Compare
0	0	Timer disconnected from output pin logic
0	1	Toggle OCx output line
1	0	Clear OCx output line to 0
1	1	Set OCx output line to 1

**TCTL2 — Timer Control 2**

**\$0021**

	Bit 7	6	5	4	3	2	1	Bit 0
	EDG4B	EDG4A	EDG1B	EDG1A	EDG2B	EDG2A	EDG3B	EDG3A
RESET:	0	0	0	0	0	0	0	0

**Table 10 Timer Control Configuration**

EDGxB	EDGxA	Configuration
0	0	Capture disabled
0	1	Capture on rising edges only
1	0	Capture on falling edges only
1	1	Capture on any edge

**TMSK1** — Timer Interrupt Mask 1

**\$0022**

	Bit 7	6	5	4	3	2	1	Bit 0
	OC1I	OC2I	OC3I	OC4I	I4/O5I	IC1I	IC2I	IC3I
RESET:	0	0	0	0	0	0	0	0

OC1I–OC4I — Output Compare x Interrupt Enable

I4/O5I — Input Capture 4 or Output Compare 5 Interrupt Enable

IC1I–IC3I — Input Capture x Interrupt Enable

**NOTE**

Control bits in TMSK1 correspond bit for bit with flag bits in TFLG1. Ones in TMSK1 enable the corresponding interrupt sources.

**TFLG1** — Timer Interrupt Flag 1

**\$0023**

	Bit 7	6	5	4	3	2	1	Bit 0
	OC1F	OC2F	OC3F	OC4F	I4/O5F	IC1F	IC2F	IC3F
RESET:	0	0	0	0	0	0	0	0

Clear flags by writing a one to the corresponding bit position(s).

OC1F–OC4F — Output Compare x Flag

Set each time the counter matches output compare x value

I4/O5F — Input Capture 4/Output Compare 5 Flag

Set by IC4 or OC5, depending on which function was enabled by I4/O5 bit in PACTL

IC1F–IC3F — Input Capture x Flag

Set each time a selected active edge is detected on the ICx input line

**TMSK2** —Timer Interrupt Mask 2

**\$0024**

	Bit 7	6	5	4	3	2	1	Bit 0
	TOI	RTII	PAOVI	PAII	—	—	PR1	PR0
RESET:	0	0	0	0	0	0	0	0

TOI — Timer Overflow Interrupt Enable

0 = Timer overflow interrupt disabled

1 = Timer overflow interrupt enabled

RTII — Real-Time Interrupt Enable

0 = RTIF interrupts disabled

1 = Interrupt requested when RTIF is set to one.



### NOTE

Control bits [7:4] in TMSK2 correspond bit for bit with flag bits [7:4] in TFLG2. Ones in TMSK2 enable the corresponding interrupt sources.

PAOVI — Pulse Accumulator Overflow Interrupt Enable  
Refer to **11 Pulse Accumulator**.

PAII — Pulse Accumulator Interrupt Enable  
Refer to **11 Pulse Accumulator**.

Bits [3:2] — Not implemented  
Always read zero

PR[1:0] — Timer Prescaler Select  
In normal modes, PR1 and PR0 can only be written once, and the write must occur within 64 cycles after reset. Refer to **10.1 Real-Time Interrupt** for specific timing values.

PR[1:0]	Prescaler
0 0	1
0 1	4
1 0	8
1 1	16

**TFLG2** — Timer Interrupt Flag 2

**\$0025**

	Bit 7	6	5	4	3	2	1	Bit 0
	TOF	RTIF	PAOVF	PAIF	—	—	—	—
RESET:	0	0	0	0	0	0	0	0

Clear flags by writing a one to the corresponding bit position(s).

TOF — Timer Overflow Flag  
Set when TCNT changes from \$FFFF to \$0000

RTIF — Real-Time (Periodic) Interrupt Flag  
Set periodically. Refer to RTR[1:0] bits in PACTL register.

PAOVF — Pulse Accumulator Overflow Flag  
Refer to **11 Pulse Accumulator**.

PAIF — Pulse Accumulator Input Edge Flag  
Refer to **11 Pulse Accumulator**.

Bits [3:0] — Not implemented  
Always read zero

**PACTL** —Pulse Accumulator Control**\$0026**

	Bit 7	6	5	4	3	2	1	Bit 0
	—	PAEN	PAMOD	PEDGE	—	I4/O5	RTR1	RTR0
RESET:	0	0	0	0	0	0	0	0

Bit 7 — Not implemented  
Always reads zero

PAEN — Pulse Accumulator System Enable  
Refer to **11 Pulse Accumulator**.

PAMOD — Pulse Accumulator Mode  
Refer to **11 Pulse Accumulator**.

PEDGE — Pulse Accumulator Edge Control  
Refer to **11 Pulse Accumulator**.

Bit 3 — Not implemented  
Always reads zero

I4/O5 — Input Capture 4/Output Compare 5  
Configure TI4/O5 for input capture or output compare  
0 = OC5 enabled  
1 = IC4 enabled

RTR[1:0] — Real-Time Interrupt (RTI) Rate  
Refer to **10.1 Real-Time Interrupt**.

**10.1 Real-Time Interrupt**

The real-time interrupt (RTI) function can generate interrupts at different fixed periodic rates. These rates are a function of the MCU oscillator frequency and the value of the software-accessible control bits, RTR1 and RTR0. These bits determine the rate at which interrupts are requested by the RTI system. The RTI system is driven by an E divided by  $2^{13}$  rate clock compensated so that it is independent of the timer prescaler. The RTR1 and RTR0 control bits select an additional division factor. RTI is set to its fastest rate by default out of reset and can be changed at any time. Refer to interrupt enable and flag bits in TMSK2 and TFLG2 registers.

**Table 11 Real-Time Interrupt Rates**

RTR [1:0]	Divide E By	XTAL = 8.0 MHz	XTAL = 12.0 MHz	XTAL = 16.0 MHz
0 0	$2^{13}$	4.096 ms	2.731 ms	2.048 ms
0 1	$2^{14}$	8.192 ms	5.461 ms	4.096 ms
1 0	$2^{15}$	16.384 ms	10.923 ms	8.192 ms
1 1	$2^{16}$	32.768 ms	21.845 ms	16.384 ms
	E =	2.0 MHz	3.0 MHz	4.0 MHz



**TMSK2** —Timer Interrupt Mask 2**\$0024**

	Bit 7	6	5	4	3	2	1	Bit 0
	TOI	RTII	PAOVI	PAII	—	—	PR1	PR0
RESET:	0	0	0	0	0	0	0	0

TOI — Timer Overflow Interrupt Enable  
Refer to **10 Main Timer**.

RTII — Real-Time Interrupt Enable  
Refer to **10 Main Timer**.

PAOVI — Pulse Accumulator Overflow Interrupt Enable  
0 = Pulse accumulator overflow interrupt disabled  
1 = Pulse accumulator overflow interrupt enabled

PAII — Pulse Accumulator Input Interrupt Enable  
0 = Pulse accumulator input interrupt disabled  
1 = Pulse accumulator input interrupt enabled if PAIF bit in TFLG2 register is set

Bits [3:2] — Not implemented  
Always read zero

PR[1:0] — Timer Prescaler Select  
Refer to **10 Main Timer**.

**NOTE**

Control bits [7:4] in TMSK2 correspond bit for bit with flag bits [7:4] in TFLG2. Ones in TMSK2 enable the corresponding interrupt sources.

**TFLG2** —Timer Interrupt Flag 2**\$0025**

	Bit 7	6	5	4	3	2	1	Bit 0
	TOF	RTIF	PAOVF	PAIF	—	—	—	—
RESET:	0	0	0	0	0	0	0	0

Clear flags by writing a one to the corresponding bit position(s).

TOF — Timer Overflow Enable  
Refer to **10 Main Timer**.

RTIF — Real-Time Interrupt Flag  
Refer to **10 Main Timer**.

PAOVF — Pulse Accumulator Overflow Flag  
Set when PACNT changes from \$FF to \$00

PAIF — Pulse Accumulator Input Edge Flag  
Set each time a selected active edge is detected on the PAI input line

Bits [3:0] — Not implemented  
Always read zero

**PACTL** —Pulse Accumulator Control**\$0026**

	Bit 7	6	5	4	3	2	1	Bit 0
	—	PAEN	PAMOD	PEDGE	—	I4/O5	RTR1	RTR0
RESET:	0	0	0	0	0	0	0	0

Bit 7 — Not implemented  
Always reads zero

PAEN — Pulse Accumulator System Enable  
0 = Pulse accumulator disabled  
1 = Pulse accumulator enabled

PAMOD — Pulse Accumulator Mode  
0 = Event counter  
1 = Gated time accumulation

PEDGE — Pulse Accumulator Edge Control  
0 = In event mode, falling edges increment counter. In gated accumulation mode, high level enables accumulator and falling edge sets PAIF.  
1 = In event mode, rising edges increment counter. In gated accumulation mode, low level enables accumulator and rising edge sets PAIF.

Bit 3 — Not implemented  
Always reads zero

I4/O5 — Input Capture 4/Output Compare 5  
Refer to **10 Main Timer**.

RTR[1:0] — Real-Time Interrupt Rate  
Refer to **10 Main Timer**.

**PACNT** —Pulse Accumulator Counter**\$0027**

Bit 7	6	5	4	3	2	1	Bit 0
Bit 7	6	5	4	3	2	1	Bit 0

Can be read and written.

## 12 Pulse-Width Modulation Timer

The MC68HC11KA4/KA2 MCU contains a PWM timer that is composed of a four-channel 8-bit modulator. Each of the modulators can create independent continuous waveforms with software-selectable duty rates from 0% to 100%.

The PWM provides up to four pulse-width modulated waveforms on specific port H pins. Each channel has its own counter. Pairs of counters can be concatenated to create 16-bit PWM outputs based on 16-bit counts. Three clock sources (A, B, and S) give the PWM a wide range of frequencies.

Four control registers configure the PWM outputs — PWCLK, WPOL, PWSCAL, and PWEN. The PWCLK register selects the prescale value for PWM clock sources and enables the 16-bit counters. The WPOL register determines each channel's polarity and selects the clock source for each channel. The PWSCAL register derives a user-scaled clock, based on the A clock source, and the PWEN register enables the PWM channels.

Each channel has a separate 8-bit counter, period register, and duty cycle register. The period and duty cycle registers are double buffered so that if they are changed while the channel is enabled, the change does not take effect until the counter rolls over or the channel is disabled.

With channels configured for 8-bit mode and  $E = 4$  MHz, PWM signals of 40 kHz (1% duty cycle resolution) to less than 10 Hz (approximately 0.4% duty cycle resolution) can be produced. By configuring the channels for 16-bit mode with  $E = 4$  MHz, PWM periods greater than one minute are possible.

In 16-bit mode, duty cycle resolution of almost 15 parts per million can be achieved (at a PWM frequency of about 60 Hz). In the same system, a PWM frequency of 1 kHz corresponds to a duty cycle resolution of 0.025%.

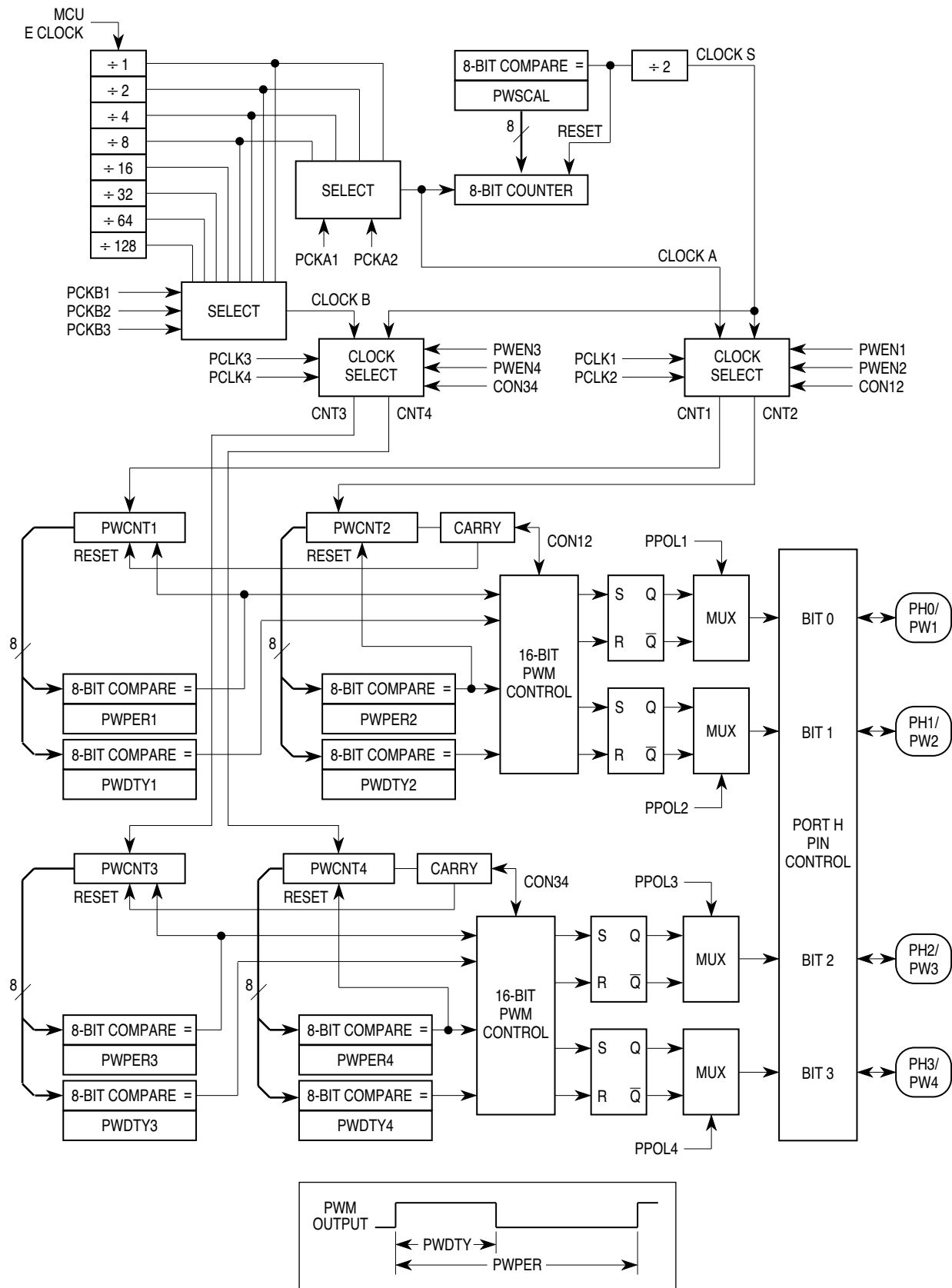


Figure 19 Pulse Width Modulation Block Diagram

**PWCLK** —Pulse-Width Modulation Clock Select**\$0060**

	Bit 7	6	5	4	3	2	1	Bit 0
	CON34	CON12	PCKA2	PCKA1	—	PCKB3	PCKB2	PCKB1
RESET:	0	0	0	0	0	0	0	0

**CON34** —Concatenate Channels 3 and 4

Channel 3 is high-order byte, and channel 4 (port H, bit 3) is output. Clock source is determined by PCLK4.

0 = Channels 3 and 4 are separate 8-bit PWMs.

1 = Channels 3 and 4 are concatenated to create one 16-bit PWM channel.

**CON12** —Concatenate Channels One and Two

Channel 1 is high order byte, and channel 2 (port H, bit 1) is output. Clock source is determined by PCLK2.

0 = Channels 1 and 2 are separate 8-bit PWMs

1 = Channels 1 and 2 are concatenated to create one 16-bit PWM channel.

**PCKA[2:1]** —Prescaler for Clock A (See also PWSCAL register)

Determines the rate of clock A

<b>PCKA[2:1]</b>	<b>Value of Clock A</b>
0 0	E
0 1	E/2
1 0	E/4
1 1	E/8

**Bit 3** — Not implemented

Always reads zero

**PCKB[3:1]** — Prescaler for Clock B

Determines the rate for clock B

<b>PCKB[3:1]</b>	<b>Value of Clock B</b>
0 0 0	E
0 0 1	E/2
0 1 0	E/4
0 1 1	E/8
1 0 0	E/16
1 0 1	E/32
1 1 0	E/64
1 1 1	E/128



**PWPOL** —Pulse-Width Modulation Timer Polarity**\$0061**

	Bit 7	6	5	4	3	2	1	Bit 0
	PCLK4	PCLK3	PCLK2	PCLK1	PPOL4	PPOL3	PPOL2	PPOL1
RESET:	0	0	0	0	0	0	0	0

PCLK4 — Pulse-Width Channel 4 Clock Select

- 0 = Clock B is source
- 1 = Clock S is source

PCLK3 — Pulse-Width Channel 3 Clock Select

- 0 = Clock B is source
- 1 = Clock S is source

PCLK2 — Pulse-Width Channel 2 Clock Select

- 0 = Clock A is source
- 1 = Clock S is source

PCLK1 — Pulse-Width Channel 1 Clock Select

- 0 = Clock A is source
- 1 = Clock S is source

PPOL[4:1] — Pulse-Width Channel x Polarity

- 0 = PWM channel x output is low at the beginning of the clock cycle and goes high when duty count is reached
- 1 = PWM channel x output is high at the beginning of the clock cycle and goes low when duty count is reached

**PWSCAL** — Pulse-Width Modulation Timer Prescaler**\$0062**

	Bit 7	6	5	4	3	2	1	Bit 0
	7	6	5	4	3	2	1	0
RESET:	0	0	0	0	0	0	0	0

Scaled clock S is generated by dividing clock A by the value in PWSCAL, then dividing the result by 2. If PWSCAL = \$00, divide clock A by 256, then divide the result by 2.

**PWEN** — Pulse-Width Modulation Timer Enable**\$0063**

	Bit 7	6	5	4	3	2	1	Bit 0
	TPWSL	DISCP	—	—	PWEN4	PWEN3	PWEN2	PWEN1
RESET:	0	0	0	0	0	0	0	0

TPWSL — PWM Scaled Clock Test Bit (TEST)

DISCP — Disable Compare Scaled E Clock (TEST)

Bits [5:4] — Not implemented

Always read zero

PWEN[1:4] — Pulse-Width Channel 1–4

- 0 = Channel disabled
- 1 = Channel enabled

**PWCNT[1:4]** — Pulse-Width Modulation Timer Counter 1 to 4**\$0064–\$0067**

\$0064	Bit 7	6	5	4	3	2	1	Bit 0	PWCNT1
\$0065	Bit 7	6	5	4	3	2	1	Bit 0	PWCNT2
\$0066	Bit 7	6	5	4	3	2	1	Bit 0	PWCNT3
\$0067	Bit 7	6	5	4	3	2	1	Bit 0	PWCNT4
RESET:	0	0	0	0	0	0	0	0	

**PWCNT[1:4]**

Begins count using whichever clock was selected

**PWPER[1:4]** —Pulse-Width Modulation Timer Period 1 to 4**\$0068–\$006B**

\$0068	Bit 7	6	5	4	3	2	1	Bit 0	PWPER1
\$0069	Bit 7	6	5	4	3	2	1	Bit 0	PWPER2
\$006A	Bit 7	6	5	4	3	2	1	Bit 0	PWPER3
\$006B	Bit 7	6	5	4	3	2	1	Bit 0	PWPER4
RESET:	1	1	1	1	1	1	1	1	

**PWPER[1:4]**

Determines period of associated PWM channel


**PWDTY[1:4]** — Pulse-Width Modulation Timer Duty Cycle 1 to 4**\$006C–\$006F**

	Bit 7	6	5	4	3	2	1	Bit 0	
\$006C	Bit 7	6	5	4	3	2	1	Bit 0	PWDTY1
\$006D	Bit 7	6	5	4	3	2	1	Bit 0	PWDTY2
\$006E	Bit 7	6	5	4	3	2	1	Bit 0	PWDTY3
\$006F	Bit 7	6	5	4	3	2	1	Bit 0	PWDTY4
RESET:	1	1	1	1	1	1	1	1	

**PWDTY[1:4]**

Determines duty cycle of associated PWM channel



Motorola reserves the right to make changes without further notice to any products herein. Motorola makes no warranty, representation or guarantee regarding the suitability of its products for any particular purpose, nor does Motorola assume any liability arising out of the application or use of any product or circuit, and specifically disclaims any and all liability, including without limitation consequential or incidental damages. "Typical" parameters can and do vary in different applications. All operating parameters, including "Typicals" must be validated for each customer application by customer's technical experts. Motorola does not convey any license under its patent rights nor the rights of others. Motorola products are not designed, intended, or authorized for use as components in systems intended for surgical implant into the body, or other applications intended to support or sustain life, or for any other application in which the failure of the Motorola product could create a situation where personal injury or death may occur. Should Buyer purchase or use Motorola products for any such unintended or unauthorized application, Buyer shall indemnify and hold Motorola and its officers, employees, subsidiaries, affiliates, and distributors harmless against all claims, costs, damages, and expenses, and reasonable attorney fees arising out of, directly or indirectly, any claim of personal injury or death associated with such unintended or unauthorized use, even if such claim alleges that Motorola was negligent regarding the design or manufacture of the part. Motorola and  are registered trademarks of Motorola, Inc. Motorola, Inc. is an Equal Opportunity/Affirmative Action Employer.

**How to reach us:**

**USA/EUROPE:** Motorola Literature Distribution;

P.O. Box 20912; Phoenix, Arizona 85036. 1-800-441-2447

**MFAX:** RMFAX0@email.sps.mot.com - TOUCHTONE (602) 244-6609

**INTERNET:** <http://Design-NET.com>

**JAPAN:** Nippon Motorola Ltd.; Tatsumi-SPD-JLDC, Toshikatsu Otsuki,  
6F Seibu-Butsuryu-Center, 3-14-2 Tatsumi Koto-Ku, Tokyo 135, Japan. 03-3521-8315

**HONG KONG:** Motorola Semiconductors H.K. Ltd.; 8B Tai Ping Industrial Park,  
51 Ting Kok Road, Tai Po, N.T., Hong Kong. 852-26629298



**MOTOROLA**