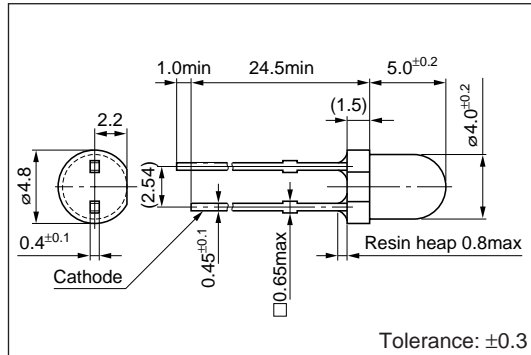


4 ϕ Round Wide-directivity LED (Direct Mount)

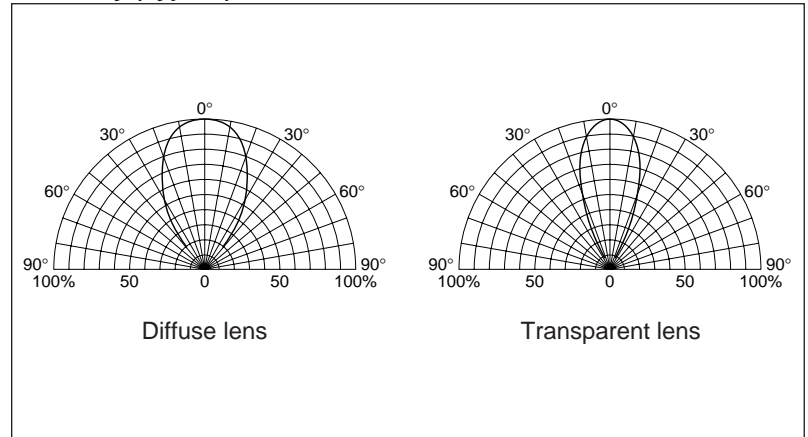
SEL4014 Series

External Dimensions

(Unit: mm)



Directivity (Typical)



Absolute maximum ratings (Ta=25°C)

Symbol	Unit	Rating	Condition
I_F	mA	30	
ΔI_F	mA/°C	-0.45	Above 25°C
I_{FP}	mA	100	f=1kHz, tw≤100μs
V_R	V	3	
Top	°C	-30 to +85	
Tstg	°C	-30 to 100	

Electrical Optical characteristics (Ta=25°C)

Emitting color	Part Number	Lens color	Forward voltage			Reverse current		Intensity		Peak wavelength		Spectrum half width		Chip material
			V_F (V)		Condition I_F (mA)	I_R (μA)	Condition V_R (V)	I_V (mcd)	Condition I_F (mA)	λ_P (nm)	Condition I_F (mA)	$\Delta\lambda$ (nm)	Condition I_F (mA)	
			typ	max										
Deep red	SEL4114S	Transparent red	2.0	2.5	10	50	3	3.8	10	700	10	100	10	GaP
	SEL4114R	Diffused red						2.8						
Red	SEL4214S	Transparent red	1.9	2.5	10	50	3	40	20	630	10	35	10	GaAsP
	SEL4214R	Diffused red						24						
Amber	SEL4814A	Transparent orange	1.9	2.5	10	50	3	20	10	610	10	35	10	GaAsP
	SEL4814D	Diffused orange						15						
Orange	SEL4914A	Transparent orange	1.9	2.5	10	50	3	26	10	587	10	33	10	GaAsP
	SEL4914D	Diffused orange						11						
Yellow	SEL4714K	Transparent yellow	2.0	2.5	10	50	3	38	10	570	10	30	10	GaP
	SEL4714Y	Diffused yellow						27						
Green	SEL4414E	Transparent green	2.0	2.5	10	50	3	69	20	560	10	20	10	GaP
	SEL4414G	Diffused green						48						
Pure green	SEL4514C	Clear	2.0	2.5	10	50	3	26	20	555	10	20	10	