

Ultra High Bright Surface Mounting Chip

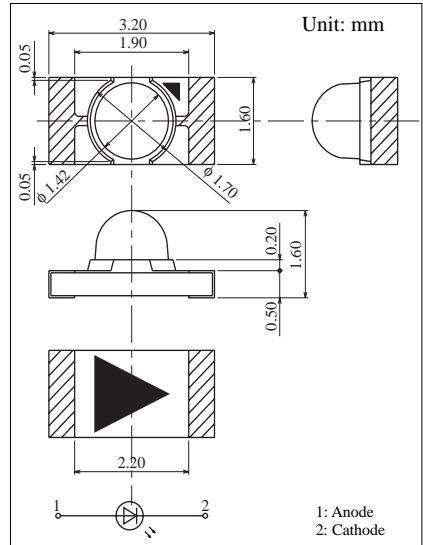
Dome-Lens Type

Conventional Part No. Global Part No. Lighting Color
 LNJ318C8TRU LNJ318C8TRU Green

Absolute Maximum Ratings ($T_a = 25^\circ\text{C}$)

Lighting Color	P(mW)	I_{FDC} (mA)	I_{FP} (mA)*	V_{R} (V)	T_{opr} ($^\circ\text{C}$)	T_{stg} ($^\circ\text{C}$)
Green	60	20	100	4	-30 ~ +85	-40 ~ +100

I_{FP} の条件は duty 10% ,Pulse width 1 msec. The condition of I_{FP} is duty 10%, Pulse width 1 msec



Electro-Optical Characteristics ($T_a = 25^\circ\text{C}$)

Conventional Part No.	Lighting Color	Lens Color	I_{O}		I_{F}	V_{F}		λ_{P}	$\Delta\lambda$	I_{F}	I_{R}	
			Typ	Min		Typ	Max	Typ	Typ		Max	V_{R}
LNJ318C8TRU	Green	Clear	25	10	10	2.03	2.6	565	30	10	10	4
Unit	—	—	mcd	mcd	mA	V	V	nm	nm	mA	μA	V

