



1 MHz, 1 A Buck Regulator

Preliminary Technical Data

ADP3089

FEATURES

- 1 MHz PWM Frequency
- Ultrasmall 8-lead 3×3 Sq. mm Chip Scale Package
- Automatic PWM to Power Saving Mode at Light Load
- Fully Integrated 1.5 A Power Switch
- 3% Output Regulation Accuracy over Temperature, Line, and Load
- 100% Duty Cycle Operation
- Simple Compensation
- Output Voltage: 1.25 V to 10 V
- Small Inductor and MLC Capacitors
- Low Quiescent Current while Pulse Skipping
- Thermal Shutdown
- Fully Integrated Soft Start
- Cycle-by-cycle Current Limit

APPLICATIONS

- PDA's and Palmtop Computers
- Notebook Computers
- PCMCIA Cards
- Bus Products
- Portable Instruments
- Industrial Systems

GENERAL DESCRIPTION

The ADP3089 is a high frequency, non-synchronous PWM step-down DC-DC regulator with an integrated 1.5 A power switch in a space-saving chip scale package. It provides high efficiency, excellent dynamic response, and is very simple to use.

The ADP3089's 1 MHz switching frequency allows for small, inexpensive external components, and the current mode control loop is simple to compensate and eases noise filtering. It operates in PWM current mode under heavy loads and saves energy at lighter loads by switching automatically into Power Saving mode. Soft start is integrated completely on chip, as is the cycle-by-cycle current limit.

Capable of operating from 2.5 V to 11 V input with a typical output current of 1 A, it is ideal for portable, battery powered, industrial, PC and instrumentation applications. Supporting output voltages down to 1.25 V, the ADP3089 is ideal to generate low voltage rails, providing the optimal solution in its class for delivering power efficiently, responsively, and simply with minimal printed circuit board area.

The device is specified over the industrial temperature range of -40°C to +85°C, and is offered in an ultrasmall 8-lead 3×3 square mm chip scale package.

REV. PrE

8/26/02

Information furnished by Analog Devices is believed to be accurate and reliable. However, no responsibility is assumed by Analog Devices for its use, nor for any infringements of patents or other rights of third parties which may result from its use. No license is granted by implication or otherwise under any patent or patent rights of Analog Devices.

FUNCTIONAL BLOCK DIAGRAM

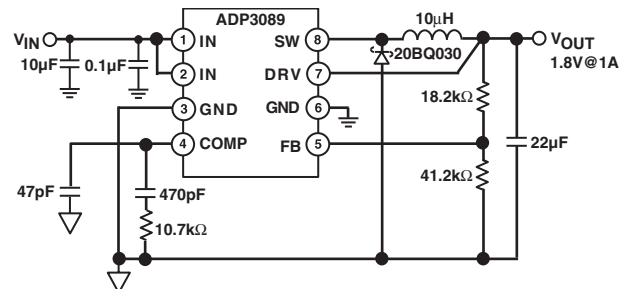
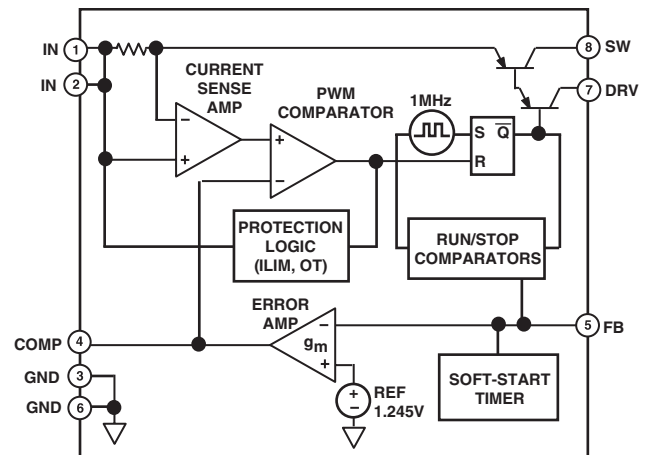


Figure 1. Typical Application

PRELIMINARY TECHNICAL DATA

ADP3089—SPECIFICATIONS¹ ($V_{IN} = +3.3\text{ V}$, $T_A = -40^\circ\text{C}$ to $+85^\circ\text{C}$, unless otherwise noted)

Parameter	Symbol	Conditions	Min	Typ	Max	Units
SUPPLY						
Input Voltage Range	V_{IN}	DRV to GND	2.5		11	V
Quiescent Current	I_Q	$V_{IN} = 10\text{ V}$, $I_L = 1\text{ A}$, DRV = GND		12		mA
Operating	I_{SD} I_{GND}^2	No load		180	280	μA
		$V_{COMP} = 0\text{ V}$		15	40	μA
Shutdown Ground Current		$V_{IN} = 10\text{ V}$, $I_L = 1\text{ A}$, DRV = 2 V		3	3.6	mA
Normal Operation						
Thermal Shutdown Threshold	T_{SD}			160		$^\circ\text{C}$
OSCILLATOR						
Oscillator Frequency	f_{SW}		0.75	1	1.25	MHz
Minimum Sleep Duty Cycle	D_{PSM}			14		%
Maximum Duty Cycle	D_{MAX}		100			%
Wake up Hysteresis	V_{HYST}	FB voltage drops below V_{REF}	20	30	40	mV
OUTPUT SWITCH						
Switch On Voltage	V_{IO}^3	$I_L = 1\text{ A}$, FB and DRV tied to GND		.7	1.0	V
Current Limit Threshold	I_{LIM}	$V_{IN} = 12\text{ V}$	1.5	1.7	2	A
Leakage Current				0.5		μA
ERROR AMPLIFIER						
Reference Voltage Accuracy	V_{REF}	FB tied to COMP	1.222	1.245	1.265	V
Reference Voltage Line Regulation		FB tied to COMP, $V_{IN} = 3\text{ V}$ to 12 V soft start expired		.02		%/V
Feedback Input Bias Current	I_{FB}		-50	1	50	nA
Maximum Output Current	$I_{COMP, SC}$		35	60	85	μA
Short Circuit Current	$I_{COMP, SD}$	$V_{COMP} = 0\text{ V}$, activating shutdown		20	40	μA
Transconductance	g_m, EA	V_{FB} to I_{COMP}		480		$\mu\text{A/V}$
MODULATOR						
Transconductance	g_m, MOD	V_{COMP} to I_L		1		A/V
Control Offset Voltage	$V_{PWM, OS}$			0.90		V
Soft Start Time	t_{SS}			250	600	μs
Shutdown Threshold Voltage	$V_{COMP, SD}$		340		750	mV
Slope Compensation	m_{SC}	Effectively summed to I_{SW}		0.5		A/ μs

NOTES

1 All limits at temperature extremes are guaranteed via correlation using standard Statistical Quality Control (SQC).

2 For higher efficiency operation, tie the DRV pin to the output for $I_L < 250\text{ mA}$, and $V_{IN} > 3\text{ V}$.

3 $V(IN) - V(SW)$, includes voltage drop across internal current sensor.

Specifications subject to change without notice.

ABSOLUTE MAXIMUM RATINGS*

Input Supply Voltage	-0.3 V to +12 V
Voltage on any pin with respect to GND	-0.3 V to +12 V
(voltage on any pin may not exceed V_{IN})	
Operating Ambient Temperature Range ..	-40°C to +85°C
Operating Junction Temperature	+125°C
θ_{JA} (4-layer board)	47°C/W
Storage Temperature Range	-65°C to +150°C
Lead Temperature Range (Soldering, 10 sec)	+240°C
Vapor Phase (60 sec)	+240°C
Infrared (20 sec)	+240°C

*This is a stress rating only; operation beyond these limits can cause the device to be permanently damaged. Unless otherwise specified, all voltages are referenced to GND.

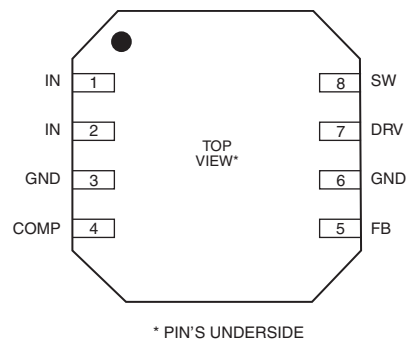
PIN FUNCTION DESCRIPTIONS

Pin	Mnemonic	Function
1, 2	IN	Power Supply Input. Both pins must be connected.
3, 6	GND	Ground. Both pins must be connected.
4	COMP	Feedback Loop Compensation and Shutdown Input. An open drain or collector used to pull the pin to ground will shutdown the device.
5	FB	Feedback Voltage Sense Input. This pin senses the voltage via an external resistor divider.
7	DRV	This pin provides a separate path for drive current to be connected to ground.
8	SW	Switching Output.

ORDERING GUIDE

Model	Temperature Range	Package Option	Branding Information
ADP3089ACP	-40°C to +85°C	CSP-8 3x3	P7A

PIN CONFIGURATION



CAUTION

ESD (electrostatic discharge) sensitive device. Electrostatic charges as high as 4000 V readily accumulate on the human body and test equipment and can discharge without detection. Although the device features proprietary ESD protection circuitry, permanent damage may occur on devices subjected to high energy electrostatic discharges. Therefore, proper ESD precautions are recommended to avoid performance degradation or loss of functionality.



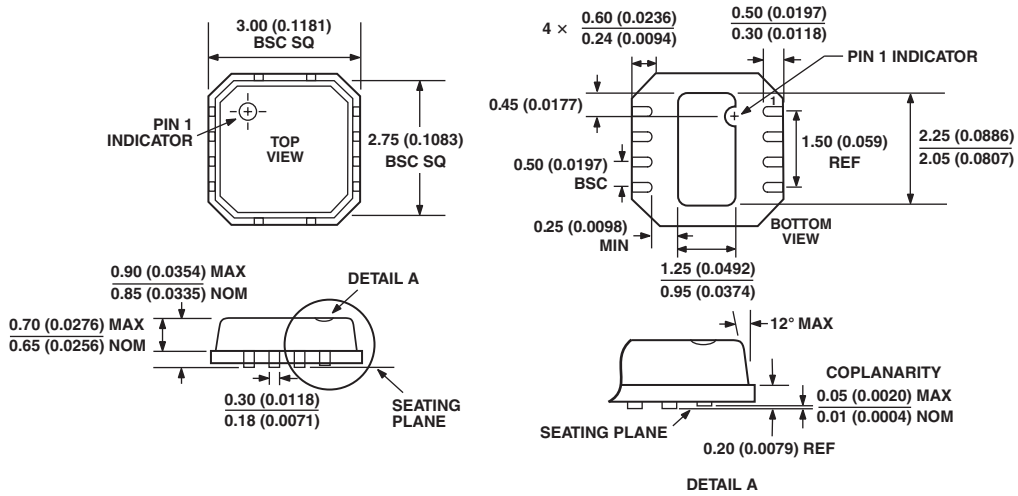
PRELIMINARY TECHNICAL DATA

ADP3089

OUTLINE DIMENSIONS

Dimensions shown in inches and (mm).

8 Lds Lead Frame Chip Scale Package (LFCSP)
3 × 3 mm Body
(CP-08)



CONTROLLING DIMENSIONS ARE IN MILLIMETERS; INCH DIMENSIONS
(IN PARENTHESES) ARE ROUNDED-OFF MILLIMETER EQUIVALENTS FOR
REFERENCE ONLY AND ARE NOT APPROPRIATE FOR USE IN DESIGN