

Preliminary

- Synchronous step-down DC/DC converter with built-in LDO regulator plus voltage detector
- Step-down DC/DC converter's output connected in parallel with LDO regulator
- SOP-8 package for high current
- Small-footprint
- Output Current (DC/DC : 800mA, VR : 400mA)
- Ceramic capacitor compatible (Low ESR capacitors)

GENERAL DESCRIPTION

The XC9511 series consists of a step-down DC/DC converter and a high-speed LDO regulator connected in parallel with the DC/DC converter's output. A voltage detector is also built-in. Since the input for the LDO voltage regulator block comes from the input power supply, it is suited for use with various applications.

The DC/DC converter block incorporates a P-Channel driver transistor and a synchronous N-Channel switching transistor. With an external coil, diode and two capacitors, the XC9511 can deliver output currents up to 800mA at efficiencies over 90%. The XC9511 is designed for use with small ceramic capacitors.

A choice of three switching frequencies are available, 300 kHz, 600 kHz, and 1.2 MHz.

Output voltage settings for the DC/DC and VR are set-up internally in 100mV steps within the range of 0.9V to 4.0V ($\pm 2.0\%$). For the VD, the range is of 0.9V to 5.0V ($\pm 2.0\%$).

The soft start time of the series is internally set to 5ms. With the built-in U.V.L.O. (Under Voltage Lock Out) function, the internal P-channel driver transistor is forced OFF when input voltage becomes 1.4 V or lower.

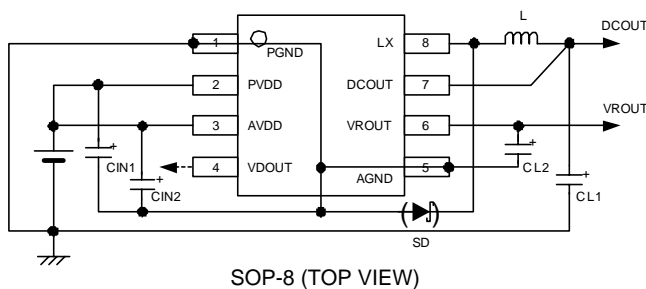
APPLICATIONS

- CD-R / RW, DVD
- HDD
- PDAs, portable communication modem
- Cellular phones
- Palmtop computers
- Cameras, video recorders

FEATURES

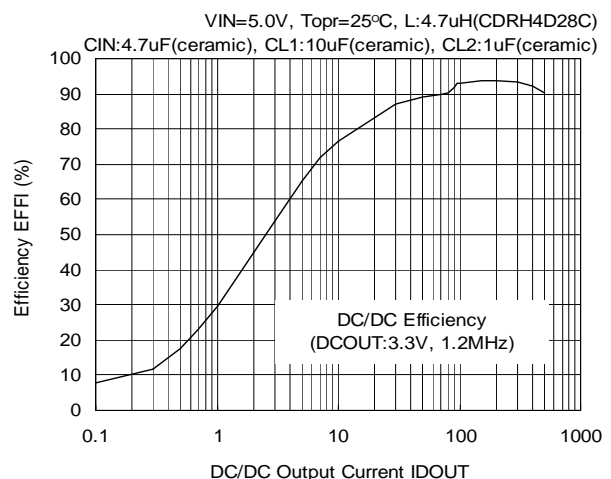
- Input Voltage Range : 2.4V ~ 6.0V
- Load Capacitors : Ceramic Capacitor Compatible (Low ESR Capacitors)
- VD Function : Detects output voltage from the VDOUT pin while sensing either VDD, DCOUT, or VROUT internally.
Nch Open Drain Output
- <DC/DC Converter>
 - Output Voltage Range : 0.9V ~ 4.0V (Accuracy $\pm 2\%$)
 - Output Current : 800mA
 - Controls : PWM Control
PWM, PWM / PFM Automatic
Switching External
 - Oscillation Frequency : 300kHz, 600kHz, 1.2MHz
- <Regulator>
 - Output Voltage Range : 0.9V ~ 4.0V (Accuracy $\pm 2\%$)
 - Current Limit : 600mA
 - Dropout Voltage : 160mV @ IOU=200mA (VOUT=2.8V)
 - High Ripple Rejection : 60dB @ 1kHz (VOUT=2.8V)

TYPICAL APPLICATION CIRCUIT



TYPICAL PERFORMANCE CHARACTERISTICS

XC9511Axxxx

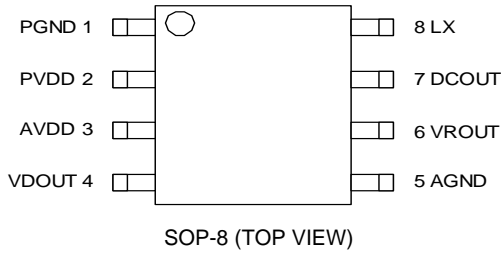


XC9511 Series

Synchronous Step-Down DC/DC Converter with built-in LDO Regulator in parallel plus Voltage Detector

Preliminary

PIN CONFIGURATION



PIN ASSIGNMENT

PIN NUMBER	PIN NAME	FUNCTION
1	PGND	Power Ground
2	PVDD	Power Supply 1
3	AVDD	Power Supply 2
4	VDOUT	VD Output
5	AGND	Analog Ground
6	VROUT	VR Output
7	DCOUT	DC/DC Output
8	LX	Switch

SELECTION GUIDE

- Ordering Information

XC9511 ①②③④⑤⑥ The input for the voltage regulator block comes from VDD.

DESIGNATOR	SYMBOL	DESCRIPTION
①		Control Methods and the VD Sense pin (See the chart below)
②③		Setting voltage and specifications of each DC/DC, VR, and VD (Based on the internal standard)
④		Oscillation Frequency of DC/DC :
	3	300kHz
	6	600kHz
	C	1.2MHz
⑤	S	Package Type : SOP-8
⑥	R	Device Orientation : Embossed Tape : Standard feed
	L	Embossed Tape : Reverse feed

- Control Methods and VD SENSE Pin

SERIES	①	DC/DC CONTROL METHODS	VD SENSE
XC9511	A	PWM Control	VDD
	B		DCOUT
	C		VROUT
	D	PFM/PWM Automatic Switch	VDD
	E		DCOUT
	F		VROUT

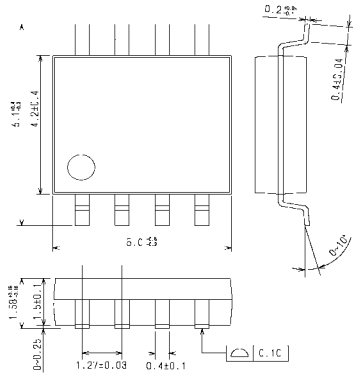
XC9511 Series

Synchronous Step-Down DC/DC Converter with built-in LDO Regulator in parallel plus Voltage Detector

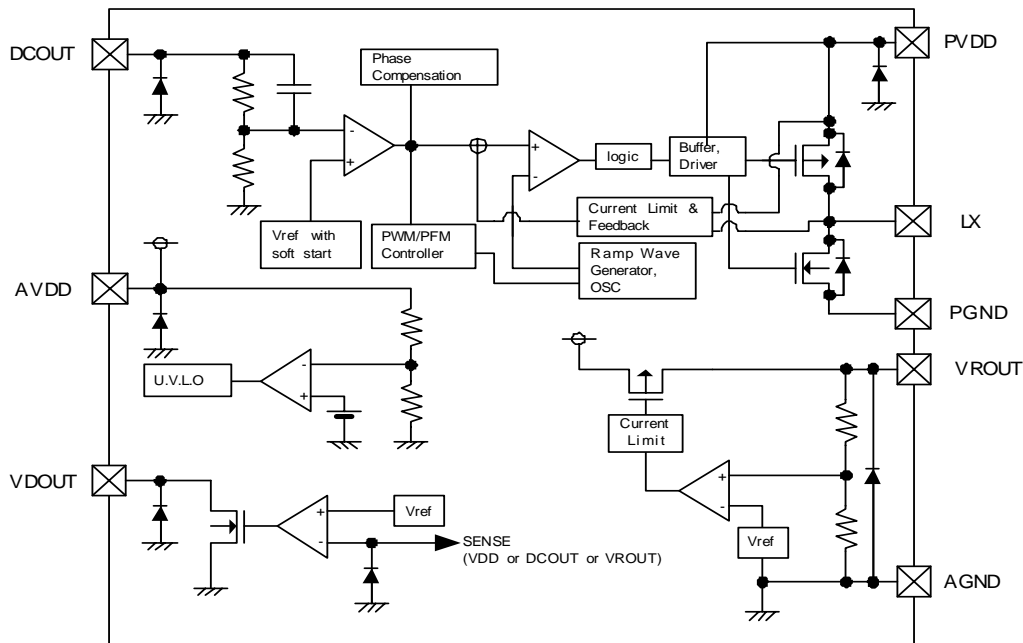
Preliminary

PACKAGING INFORMATION

○ SOP-8



BLOCK DIAGRAM



* Diodes shown in the above circuits are protective diodes.

ABSOLUTE MAXIMUM RATINGS

Ta=25°C

PARAMETER	SYMBOL	RATINGS	UNITS
AVDD Pin Voltage	AVDD	- 0.3 ~ 6.5	V
PVDD pin Voltage	PVDD	AVDD - 0.3 ~ AVDD + 0.3	V
DCOUT Pin Voltage	DCOUT	- 0.3 ~ AVDD + 0.3	V
VROUT Pin Voltage	VROUT	- 0.3 ~ AVDD + 0.3	V
VROUT Pin Current	IROUT	800	mA
VDOUT Pin Voltage	VDOUT	- 0.3 ~ AVDD + 0.3	V
VDOUT Pin Current	IVD	50	mA
LX Pin Voltage	LX	- 0.3 ~ AVDD + 0.3	V
LX Pin Current	ILX	± 1300	mA
Continuous Power Dissipation (*)	SOP-8 Pd	650	mW
Operating Temperature Range	Topr	- 40 ~ + 85	°C
Storage Temperature Range	Tstg	- 55 ~ + 125	°C

(*) When PC board mounted.

XC9511 Series

Synchronous Step-Down DC/DC Converter with built-in LDO Regulator in parallel plus Voltage Detector

Preliminary

ELECTRICAL CHARACTERISTICS

XC9511xxxCSx

○ Common Characteristics

Topr=25°C

PARAMETER	SYMBOL	CONDITIONS	MIN.	TYP.	MAX.	UNITS	TEST CIRCUIT
Supply Current 1	IDD1	VIN=CE=DCOUT=5.0V	-	250	310	μA	1
Supply Current 2	IDD2	VIN=CE=5.0V, DCOUT=0V	-	300	360	μA	1
Input Voltage Range	VIN		2.4	-	6.0	V	-

○ DC/DC Converter (1.5V product)

PARAMETER	SYMBOL	CONDITIONS	MIN.	TYP.	MAX.	UNITS	TEST CIRCUIT
Output Voltage	DCOUT(E)	Connected to the external components, IDOUT=30mA	1.470	1.500	1.530	V	3
Oscillation Frequency	FOSC	Connected to the external components, IDOUT=10mA	1.02	1.20	1.38	MHz	3
Maximum Duty Ratio	MAXDUTY	DCOUT=0V	100	-	-	%	4
Minimum Duty Ratio	MINDUTY	DCOUT=VIN	-	-	0	%	4
PFM Duty Ratio *XC9511D/E/F	PFMDUTY	Connected to the external components, No Load	21	30	38	%	3
U.V.L.O Voltage (note 1)	VUVLO	Connected to the external components	1.00	1.40	1.78	V	3
LX SW 'High' ON Resistance (note 2)	RLXH	DCOUT=0V, LX=VIN-0.05V	-	0.5	1.0	Ω	5
LX SW 'Low' ON Resistance	RLXL	Connected to the external components, VIN=5.0V	-	0.5	0.9	Ω	3
LX SW 'High' Leak Current (note 11)	IleakH	VIN=LX=6.0V, CE=0V	-	0.05	1.00	μA	11
LX SW 'Low' Leak Current (note 11)	IleakL	VIN=6.0V, LX=CE=0V	-	0.05	1.00	μA	11
Maximum Output Current	IMAX1	Connected to the external components	800	-	-	mA	3
Current Limit (note 8)	ILIM1		1.0	1.1	-	A	6
Efficiency (note 3)	EFFI	Connected to the external components, IDOUT=100mA	-	90	-	%	3
Output Voltage Temperature Characteristics	$\frac{\Delta \text{DCOUT}}{(\Delta \text{Topr} \cdot \text{DCOUT})}$	IDOUT=30mA -40°C ≤ Topr ≤ 85°C	-	±100	-	ppm/°C	3
Soft Start Time	TSS	Connected to the external components, CE=0V ⇒ VIN, IDOUT=1mA	2	5	10	mS	3
Latch Time (note 4, 9)	Tlat	Connected to the external components, VIN=CE=5.0V, Short DCOUT by 1Ω resistor	-	8	25	mS	10

○ Regulator (3.3V product)

Topr=25°C

PARAMETER	SYMBOL	CONDITIONS	MIN.	TYP.	MAX.	UNITS	TEST CIRCUIT
Output Voltage	VROUT(E)	IROUT=30mA	3.234	3.300	3.366	V	2
Maximum Output Current	IMAX2		400	-	-	mA	2
Load Regulation	Δ VROUT	1mA ≤ IROUT ≤ 100mA	-	15	50	mV	2
Dropout Voltage 1 (note 5)	Vdif 1	IROUT=100mA	-	50	110	mV	2
Dropout Voltage 2	Vdif 2	IROUT=200mA	-	100	200	mV	2
Line Regulation	$\frac{\Delta \text{VROUT}}{(\Delta \text{VIN} \cdot \text{VROUT})}$	IROUT=30mA VROUT(T)+1V ≤ VIN ≤ 6V	-	0.05	0.25	%/V	2
Current Limit	ILIM2	VROUT=VROUT(E) x 0.9	480	600	-	mA	7
Short-Circuit Current	ISHORT	VROUT=VSS	-	30	-	mA	7
Ripple Rejection Rate	PSRR	VIN={VOUT(T) + 1.0} VDC + 0.5Vp-pAC IROUT=30mA, f=1kHz	-	60	-	dB	12
Output Voltage Temperature Characteristics	$\frac{\Delta \text{VROUT}}{(\Delta \text{Topr} \cdot \text{VROUT})}$	IROUT=30mA -40°C ≤ Topr ≤ 85°C	-	±100	-	ppm /°C	2

XC9511 Series

Synchronous Step-Down DC/DC Converter with built-in LDO Regulator in parallel plus Voltage Detector

Preliminary

ELECTRICAL CHARACTERISTICS (Continued)

○ Detector (2.7V product)

Topr=25°C

PARAMETER	SYMBOL	CONDITIONS	MIN.	TYP.	MAX.	UNITS	TEST CIRCUIT
Detect Voltage	VDF(E)	CE=0V	2.646	2.700	2.754	V	8
Hysteresis Range	VHYS	$\frac{VHYS=[VDR(E)^{(note\ 10)} - VDF(E)]}{VDF(E) \times 100}$	2	5	8	%	8
VD Output Current	IVD	VDOUT=0.5V, CE=0V	1	-	-	mA	9
Output Voltage Temperature Characteristics	$\frac{\Delta VDF}{(\Delta Topr \bullet VDF)}$	CE=0V, -40°C ≤ Topr ≤ 85°C	-	±100	-	ppm/°C	8

Test Conditions : Unless otherwise stated;
 DC/DC : VIN=3.6V [@ DCOUT:1.5V]
 VR : VIN = 4.3V (VIN=VROUT(T) + 1.0V)
 VD : VIN=6.0V
 Common conditions for all test items : CE=VIN, MODE=0V
 * VROUT(T) : Setting Output Voltage

note 1: Including hysteresis operating voltage range.

note 2: ON resistance (Ω)= 0.05 (V) / ILX (A)

note 3: EFF1 = { (Output Voltage x Output Current) / (Input Voltage x Input Current) } x 100

note 4: Time until it short-circuits DCOUT with GND through 1Ω of resistance from a state of operation and is set to DCOUT=0V from current limit pulse generating.

note 5: $Vdif = (VIN1^{(note\ 6)} - VROUT1^{(note\ 7)})$

note 6: VIN 1 = The input voltage when VROUT1 appears as input voltage is gradually decreased.

note 7: VROUT1 = A voltage equal to 98% of the output voltage whenever an amply stabilized IOUT {VROUT(T) + 1.0V} is input.

note 8: Current limit = When VIN is low, limit current may not be reached because of voltage falls caused by ON resistance or serial resistance of coils.

note 9: Integral latch circuit=latch time may become longer and latch operation may not work when VIN is 3.0V or more.

note 10 : VDR(E) = VD release voltage

note 11 : When temperature is high, a current of approximately 5.0μA (maximum) may leak.

note 12 : When using the IC with a regulator output at almost no load, a capacitor should be placed as close as possible between AVDD and AGND (CIN2), connected with low impedance. Please also see the recommended pattern layout on page 13 for your reference. Should it not be possible to place the input capacitor nearby, the regulated output level may increase up to the VDD level while the load of the DC/DC converter increases and the regulator output is at almost no load.

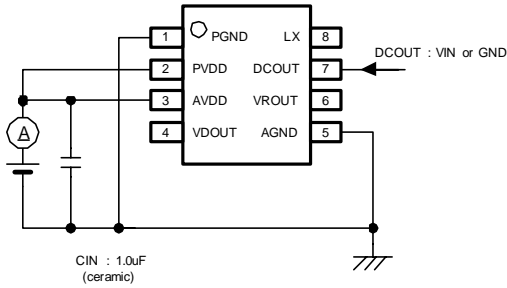
XC9511 Series

Synchronous Step-Down DC/DC Converter with built-in LDO Regulator in parallel plus Voltage Detector

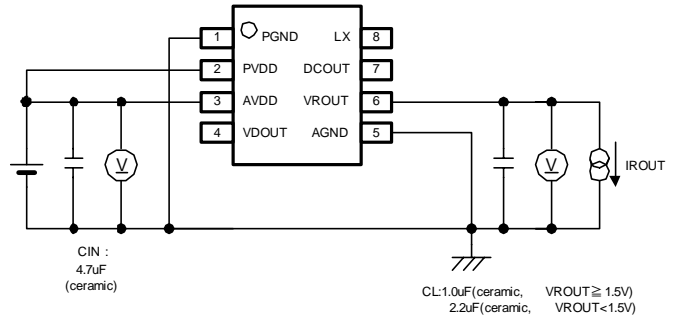
Preliminary

TEST CIRCUITS

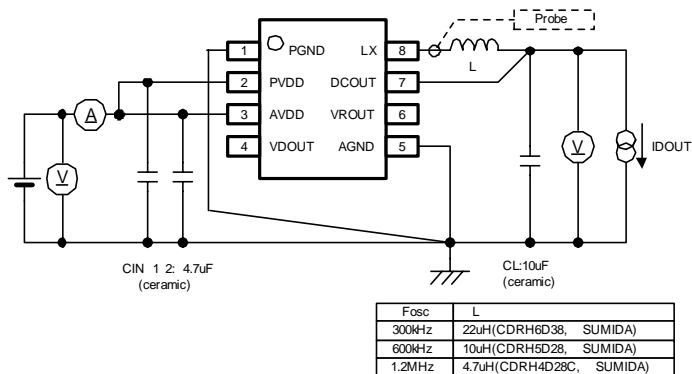
Circuit 1 Supply Current



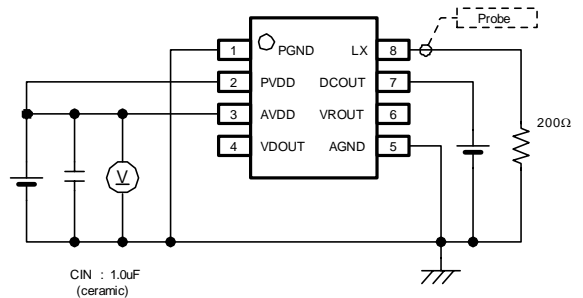
Circuit 2 Output Voltage (VR), Load Regulation, Dropout Voltage, Maximum Output Current



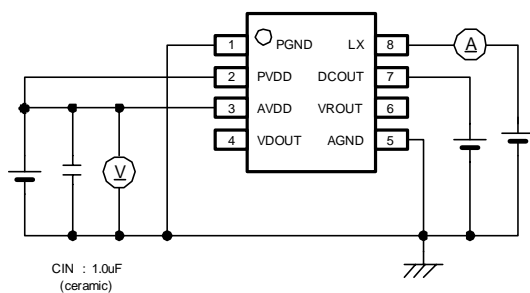
Circuit 3 Output Voltage (DC/DC), Oscillation Frequency, U.V.L.O. Voltage, Soft start Time, Maximum Output Current, Efficiency, (PFM Duty Cycle)



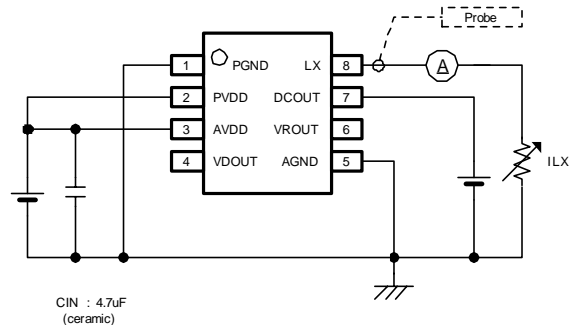
Circuit 4 Minimum Duty Cycle, Maximum Duty Cycle



Circuit 5 Lx ON Resistance



Circuit 6 Current Limit 1 (DC/DC)



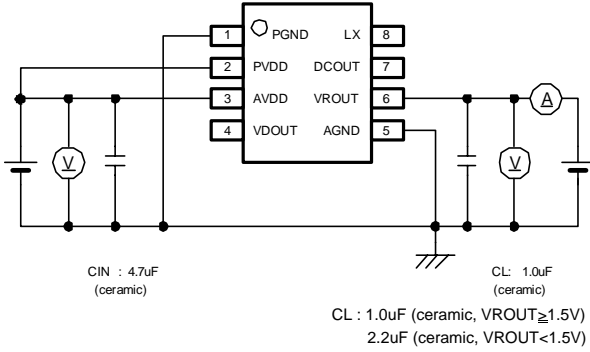
XC9511 Series

Synchronous Step-Down DC/DC Converter with built-in LDO Regulator in parallel plus Voltage Detector

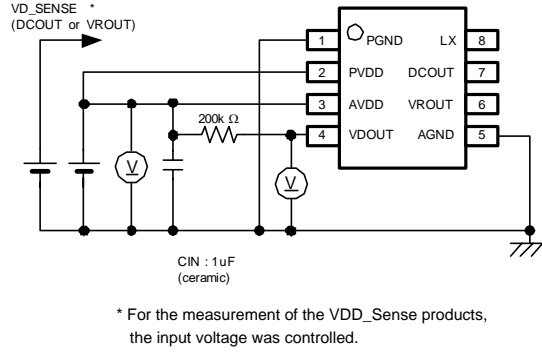
Preliminary

TEST CIRCUITS (Continued)

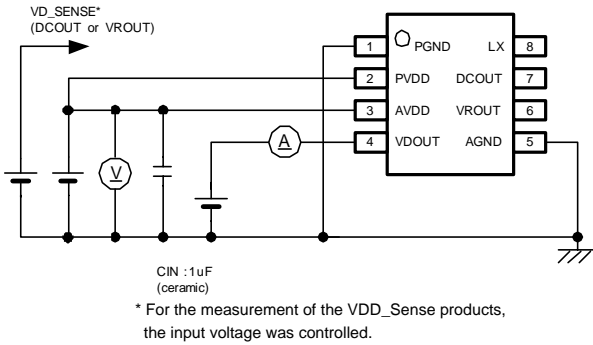
Circuit 7 Current Limit 2 (VR), Short Current (VR)



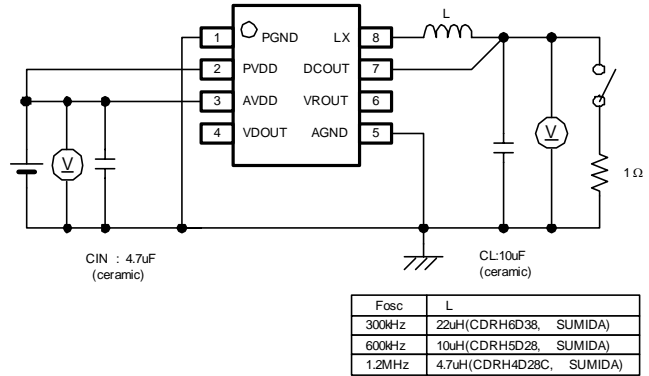
Circuit 8 Detect Voltage, Release Voltage (Hysteresis Range)



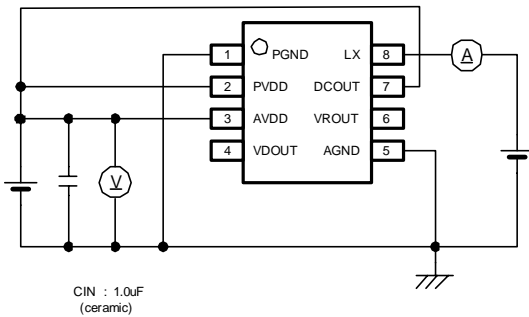
Circuit 9 VD Output Current



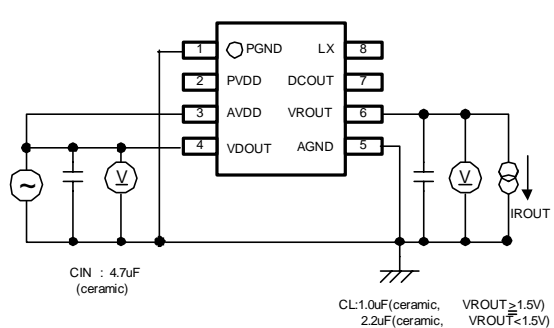
Circuit 10 Latch Time



Circuit 11 Off-Leak



Circuit 12 Ripple Rejection Rate

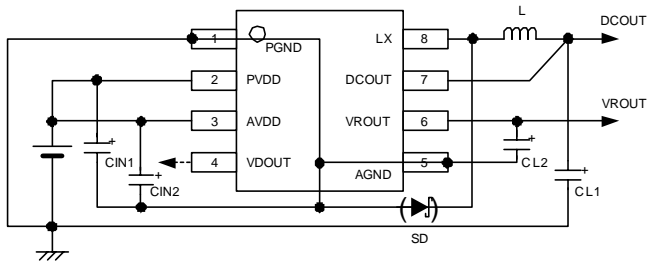


XC9511 Series

Synchronous Step-Down DC/DC Converter with built-in LDO Regulator in parallel plus Voltage Detector

Preliminary

■ TYPICAL APPLICATION CIRCUIT



SOP-8 (TOP VIEW)

FOSC	L
1.2MHz	4.7 μ H (CDRH4D28C, SUMIDA)
600kHz	10 μ H (CDRH5D28, SUMIDA)
300kHz	22 μ H (CDRH6D28, SUMIDA)

SD : XB0ASB03A1BR (TOREX)

CIN : 4.7 μ F x 2 (ceramic, TAIYO-YUDEN)

CL1 : 10 μ F (ceramic, TAIYO-YUDEN)

CL2 : 1 μ F (ceramic, TAIYO-YUDEN), VROUT \geq 1.5V
: 2.2 μ F (ceramic, TAIYO-YUDEN), VROUT<1.5V

The DC/DC converter of the XC9511 series automatically switches between synchronous / non-synchronous. The Schottky diode is not normally needed. However, in cases where high efficiency is required when using the DC/DC converter during light load while in non-synchronous operation, please connect a Schottky diode externally.

■ OPERATIONAL EXPLANATION

The XC9511 series consists of a synchronous step-down DC/DC converter, a high speed LDO voltage regulator, and a voltage detector.

○ DC/DC Converter

The series consists of a reference voltage source, ramp wave circuit, error amplifier, PWM comparator, phase compensation circuit, output voltage adjustment resistors, driver transistor, synchronous switch, current limiter circuit, U.V.L.O. circuit and others. The series ICs compare, using the error amplifier, the voltage of the internal voltage reference source with the feedback voltage from the VOUT pin through split resistors. Phase compensation is performed on the resulting error amplifier output, to input a signal to the PWM comparator to determine the turn-on time during PWM operation. The PWM comparator compares, in terms of voltage level, the signal from the error amplifier with the ramp wave from the ramp wave circuit, and delivers the resulting output to the buffer driver circuit to cause the Lx pin to output a switching duty cycle. This process is continuously performed to ensure stable output voltage. The current feedback circuit monitors the P-channel MOS driver transistor current for each switching operation, and modulates the error amplifier output signal to provide multiple feedback signals. This enables a stable feedback loop even when a low ESR capacitor, such as a ceramic capacitor, is used, ensuring stable output voltage.

< Reference Voltage Source >

The reference voltage source provides the reference voltage to ensure stable output voltage of the DC/DC converter.

< Ramp Wave Circuit >

The ramp wave circuit determines switching frequency. The frequency is fixed internally and can be selected from 300kHz, 600 kHz and 1.2 MHz. Clock pulses generated in this circuit are used to produce ramp waveforms needed for PWM operation, and to synchronize all the internal circuits.

< Error Amplifier >

The error amplifier is designed to monitor output voltage. The amplifier compares the reference voltage with the feedback voltage divided by the internal split resistors. When a voltage lower than the reference voltage is fed back, the output voltage of the error amplifier increases. The gain and frequency characteristics of the error amplifier output are fixed internally to deliver an optimized signal to the mixer.

< PWM/PFM >

The XC9511A to C series are PWM control, while the XC9511D to F series can be automatically switched to PWM/PFM control. The PWM mode of the XC9511A to C series are controlled on a specified frequency from light loads through to heavy loads. Since the frequency is specified, the composition of a noise filter etc. becomes easy. However, the efficiency at the time of the light load may become low. The XC9511D to F series can switch to PWM/PFM automatic switching control. With the automatic PWM/PFM switching control function, the series ICs are automatically switched from PWM control to PFM control mode under light load conditions. The series can not control only PFM mode. If during light load conditions the coil current becomes discontinuous and on-time rate falls lower than 30%, the PFM circuit operates to output a pulse with 30% of a fixed on-time rate from the Lx pin. During PFM operation with this fixed on-time rate, pulses are generated at different frequencies according to conditions of the moment. This causes a reduction in the number of switching operations per unit of time, resulting in efficiency improvement under light load conditions. However, since pulse output frequency is not constant, consideration should be given if a noise filter or the like is needed. Necessary conditions for switching to PFM operation depend on input voltage, load current, coil value and other factors.

XC9511 Series

Synchronous Step-Down DC/DC Converter with built-in LDO Regulator in parallel plus Voltage Detector

Preliminary

■ OPERATIONAL EXPLANATION (Continued)

< Synchronous / Non-synchronous >

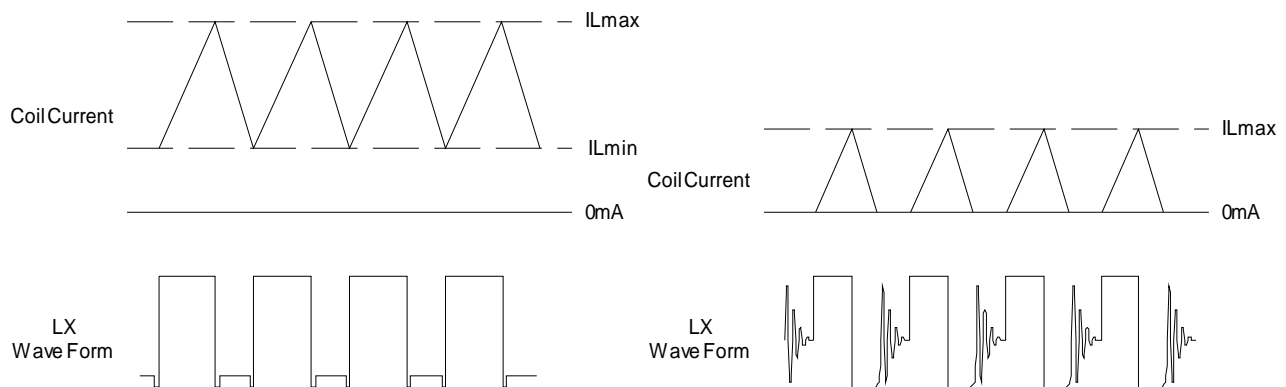
The XC9511 series automatically switches between synchronous / non-synchronous according to the state of the DC/DC converter. Highly efficient operations are achievable using the synchronous mode while the coil current is in a continuous state.

The series enters non-synchronous operation when the built-in Nch switching transistor for synchronous operation is shutdown which happens when the load current becomes low and the operation changes to a discontinuous state.

The IC can operate without an external schottky diode because the parasitic diode in the Nch switching transistor provides the circuit's step-down operation. However, since V_f of the parasitic diode is a high 0.6V, the efficiency level during non-synchronous operation shows a slight decrease. Please use an external Schottky diode if high efficiency is required during light load current.

○ Continuous Mode : Synchronous

○ Discontinuous Mode : Non-Synchronous

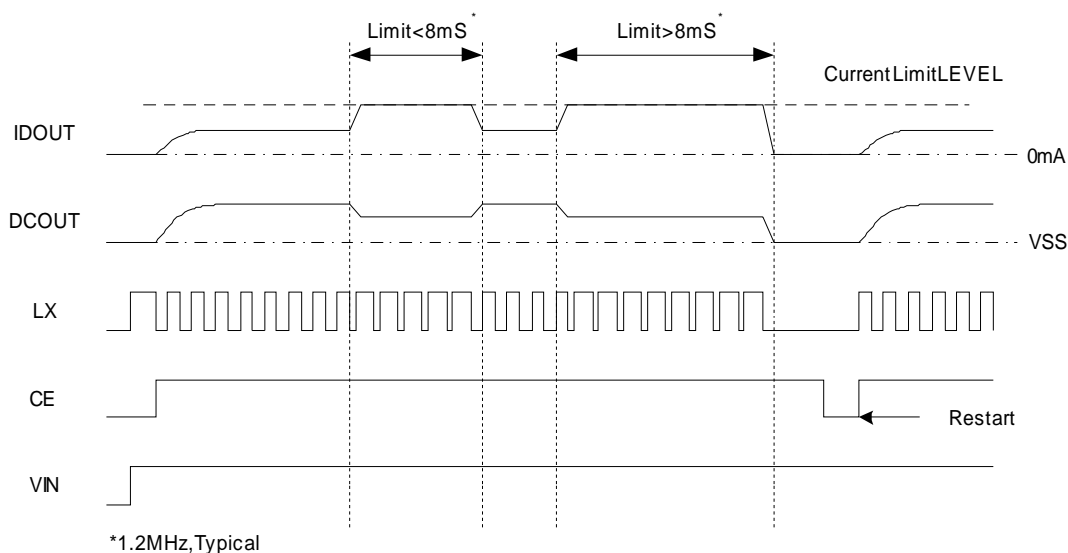


< Current Limit >

The current limiter circuit of the XC9511 series monitors the current flowing through the P-channel MOS driver transistor connected to the Lx pin, and features a combination of the constant-current type current limit mode and the operation suspension mode.

- ① When the driver current is greater than a specific level, the constant-current type current limit function operates to turn off the pulses from the Lx pin at any given timing.
- ② When the driver transistor is turned off, the limiter circuit is then released from the current limit detection state.
- ③ At the next pulse, the driver transistor is turned on. However, the transistor is immediately turned off in the case of an over current state.
- ④ When the over current state is eliminated, the IC resumes its normal operation.

The IC waits for the over current state to end by repeating the steps ① through ③. If an over current state continues for 8msec* and the above three steps are repeatedly performed, the IC performs the function of latching the OFF state of the driver transistor, and goes into operation suspension mode. Once the IC is in suspension mode, operations can be resumed by either turning the IC off via the CE pin, or by restoring power to the VIN pin. The suspension mode does not mean a complete shutdown, but a state in which pulse output is suspended; therefore, the internal circuitry remains in operation. The constant-current type current limit of the XC9511 series can be set at 1.1A.



■ OPERATIONAL EXPLANATION (Continued)

< U.V.L.O. Circuit >

When the VIN pin voltage becomes 1.4 V or lower, the P-channel output driver transistor is forced OFF to prevent false pulse output caused by unstable operation of the internal circuitry. When the VIN pin voltage becomes 1.8 V or higher, switching operation takes place. By releasing the U.V.L.O. function, the IC performs the soft start function to initiate output startup operation. The soft start function operates even when the VIN pin voltage falls momentarily below the U.V.L.O. operating voltage. The U.V.L.O. circuit does not cause a complete shutdown of the IC, but causes pulse output to be suspended; therefore, the internal circuitry remains in operation.

○ High Speed LDO Voltage Regulator

The voltage regulator block of the XC9511 series consists of a reference voltage source, error amplifier, and current limiter circuit.

The voltage divided by split resistors is compared with the internal reference voltage by the error amplifier. The P-Channel MOSFET, which is connected to the VROUT pin, is then driven by the subsequent output signal. The output voltage at the VROUT pin is controlled and stabilized by a system of negative feedback. A stable output voltage is achievable even if used with low ESR capacitors as a phase compensation circuit is built-in.

< Reference Voltage Source >

The reference voltage source provides the reference voltage to ensure stable output voltage of the regulator.

< Error Amplifier >

The error amplifier compares the reference voltage with the signal from VROUT, and the amplifier controls the output of the Pch driver transistor.

<Current Limit Circuit>

The voltage regulator block includes a combination of a constant current limiter circuit and a foldback circuit. The voltage regulator senses output current of the built-in P channel output driver transistor inside. When the load current reaches the current limit level, the current limiter circuit operates and the output voltage of the voltage regulator block drops. As a result of this drop in output voltage, the foldback circuit operates, output voltage drops further and the load current decreases. When the VROUT and GND pin are shorted, the load current of about 30mA flows.

○ Voltage Detector

The detector block of the XC9511 series detects output voltage from the VDOUT pin while sensing either VDD, DCOUT, or VROUT internally.

(N channel Open Drain Type)

XC9511 Series

Synchronous Step-Down DC/DC Converter with built-in LDO Regulator in parallel plus Voltage Detector

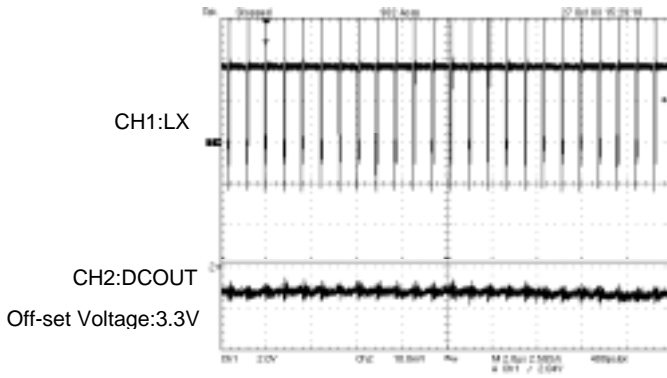
Preliminary

NOTES ON USE

Application Information

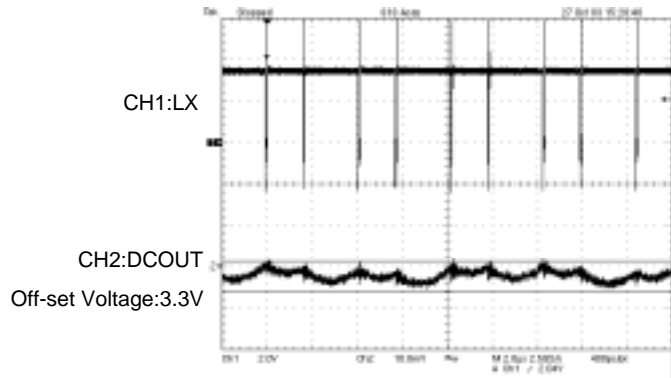
1. The XC9511 series is designed for use with a ceramic output capacitor. If, however, the potential difference between dropout voltage or output current is too large, a ceramic capacitor may fail to absorb the resulting high switching energy and oscillation could occur on the output. If the input-output potential difference is large, connect an electrolytic capacitor in parallel to compensate for insufficient capacitance.
2. Spike noise and ripple voltage arise in a switching regulator as with a DC/DC converter. These are greatly influenced by external component selection, such as the coil inductance, capacitance values, and board layout of external components. Once the design has been completed, verification with actual components should be done.
3. When the difference between VIN and VOUT is large in PWM control, very narrow pulses will be outputted, and there is the possibility that some cycles may be skipped completely.
4. When the difference between VIN and VOUT is small, and the load current is heavy, very wide pulses will be outputted and there is the possibility that some cycles may be skipped completely: in this case, the Lx pin may not go low at all.

DC/DC Waveform (3.3V, 1.2MHz)



VIN=3.7V, IDOUT=100mA

<External Components>
 L: 4.7μH (CDRH4D28C, SUMIDA)
 CIN: 4.7μF (ceramic)
 CL: 10μF (ceramic)



VIN=3.5V, IDOUT=100mA

<External Components>
 L: 4.7μH (CDRH4D28C, SUMIDA)
 CIN: 4.7μF (ceramic)
 CL: 10μF (ceramic)

5. The IC's DC/DC converter operates in synchronous mode when the coil current is in a continuous state and non-synchronous mode when the coil current is in a discontinuous state. In order to maintain the load current value when synchronous switches to non-synchronous and vice versa, a ripple voltage may increase because of the repetition of switching between synchronous and non-synchronous. When this state continues, the increase in the ripple voltage stops. To reduce the ripple voltage, please increase the load capacitance value or use a schottky diode externally. When the current used becomes close to the value of the load current when synchronous switches to non-synchronous and vice versa, the switching current value can be changed by changing the coil inductance value. In case changes to coil inductance are to values other than the recommended coil inductance values, verification with actual components should be done.

$$I_{cs} = (V_{IN} - D_{COUT}) \times \text{OnDuty} / (L \times F_{osc})$$

I_{cs} : Switching current from synchronous rectification to non-synchronous rectification

OnDuty : OnDuty ratio of P-ch driver transistor ($\frac{D_{COUT}}{V_{IN}}$ step down ratio : DCOUT / VIN)

L : Coil inductance value

F_{osc} : Oscillation Frequency

IDOUT : The DC/DC load current

XC9511 Series

Synchronous Step-Down DC/DC Converter with built-in LDO Regulator in parallel plus Voltage Detector

Preliminary

■ NOTES ON USE (Continued)

● Application Information (Continued)

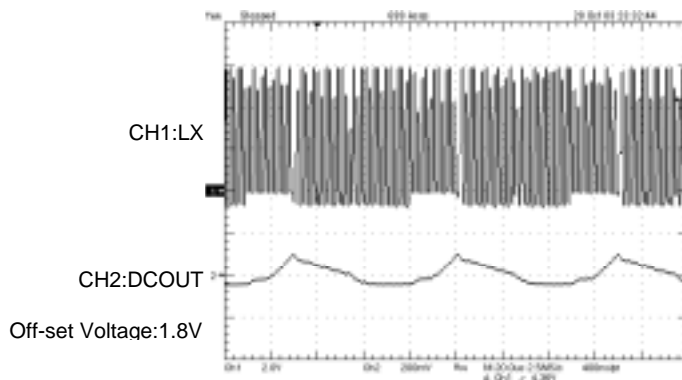
6. When the XC9511D to F series operate in PWM/PFM automatic switching control mode, the reverse current may become quite high around the load current value when synchronous switches to non-synchronous and vice versa (also refer to no. 5 above). Under this condition, switching synchronous rectification and non-synchronous rectification may be repeated because of the reverse current, and the ripple voltage may be increased to 100mV or more. The reverse current is the current that flows in the PGND direction through the Nch driver transistor from the coil. The conditions which cause this operation are as follows.

$$\text{PFM Duty} < \text{Step down ratio} = \text{DCOUT} / \text{VIN} \times 100 (\%)$$

PFM Duty : 30% (TYP.)

The XC9511A to C series are recommended in cases where the load current value of the DC/DC converter is close to synchronous.

○ DC/DC Waveform (1.8V, 600kHz) @ VIN=6.0V



VIN=6.0V, IDOUT=50mA

<External Components>

L: 10 μ H (CDRH5D28, SUMIDA)

CIN: 4.7 μ F (ceramic)

CL: 10 μ F (ceramic)

Step down ratio : 1.8V / 6.0V =30% <PFM Duty 31%>

7. With the DC/DC converter of the IC, the peak current of the coil is controlled by the current limit circuit. Since the peak current increases when dropout voltage or load current is high, current limit starts operating, and this can lead to instability. When peak current becomes high, please adjust the coil inductance value and fully check the circuit operation. In addition, please calculate the peak current according to the following formula:

$$\text{Peak current} : I_{pk} = (\text{VIN} - \text{DCOUT}) \times \text{OnDuty} / (2 \times L \times \text{Fosc}) + \text{IDOUT}$$

8. When the peak current which exceeds limit current flows within the specified time, the built-in driver transistor is turned off (the integral latch circuit). During the time until it detects limit current and before the built-in transistor can be turned off, the current for limit current flows; therefore, care must be taken when selecting the rating for the coil or the Schottky diode.

9. When VIN is low, limit current may not be reached because of voltage falls caused by ON resistance or serial resistance of the coil.

10. In the integral latch circuit, latch time may become longer and latch operation may not work when VIN is 3.0V or more.

11. Use of the IC at voltages below the recommended voltage range may lead to instability.

12. This IC and the external components should be used within the stated absolute maximum ratings in order to prevent damage to the device.

13. When using IC with a regulator output at almost no load, a capacitor should be placed as close as possible between AVDD and AGND (CIN2), connected with low impedance. Please also see the recommended pattern layout on page 13 for your reference. Should it not be possible to place the input capacitor nearby, the regulated output level may increase up to the VDD level while the load of the DC/DC converter increases and the regulator output is at almost no load.

XC9511 Series

Synchronous Step-Down DC/DC Converter with built-in LDO Regulator in parallel plus Voltage Detector

Preliminary

■ NOTES ON USE (Continued)

● Application Information (Continued)

14. Should the bi-directional load current of the synchronous DC/DC converter and the regulator become large, please be careful of the power dissipation when in use. Please calculate power dissipation by using the following formula.

$$P_d = P_{d_{DC/DC}} + P_{d_{VR}}$$

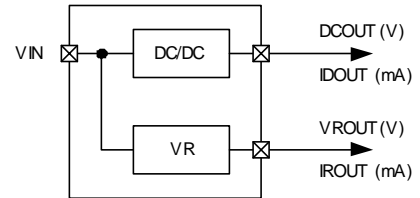
DC/DC power dissipation (when in synchronous operation) : $P_{d_{DC/DC}} = I_{DOUT}^2 \times R_{ON}$

VR power dissipation : $P_{d_{VR}} = (V_{IN} - V_{ROUT}) \times I_{ROUT}$

RON: ON resistance of the built-in driver transistor to the DC/DC (= 0.5Ω <TYP.>)

$$R_{ON} = R_{pon} \times P_{chOnDuty} / 100$$

$$+ R_{non} \times (1 - P_{chOnDuty} / 100)$$



○ Instructions on Pattern Layout

1. In order to stabilize VIN's voltage level, we recommend that a by-pass capacitor (CIN) be connected as close as possible to the AVDD & AGND pins. Should it not be possible to place the input capacitors nearby, the regulated output level may increase because of the switching noise of the DC/DC converter.
2. Please mount each external component as close to the IC as possible.
3. Wire external components as close to the IC as possible and use thick, short connecting traces to reduce the circuit impedance.
4. Make sure that the PCB GND traces are as thick as possible, as variations in ground potential caused by high ground currents at the time of switching may result in instability of the DC/DC converter and have adverse influence on the regulator output.
5. If using a Schottky diode, please connect the anode side to the AGND pin through CIN. Characteristic degradation caused by the noise may occur depending on the arrangement of the Schottky diode.
6. Please use the AVDD and PVDD pins with the same electric potential.

<SOP-8 Recommended pattern layout>

