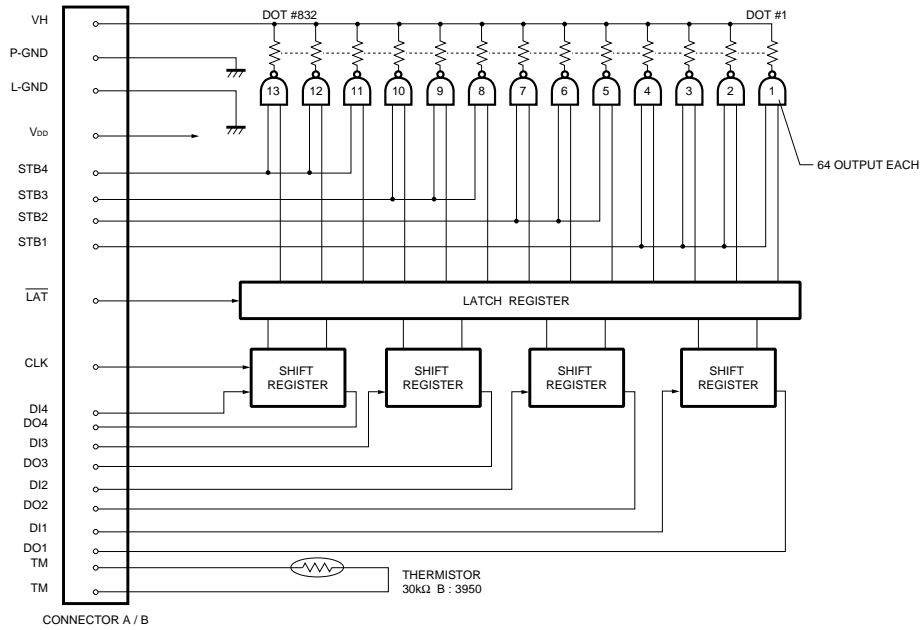




Printheads

●Equivalent circuits



DI No.	DOT No.
DI1	1~256
DI2	257~448
DI3	449~640
DI4	641~832

STB No.	DOT No.
STB1	1~256
STB2	257~448
STB3	449~640
STB4	641~832

Fig.1

●Pin assignments

CONNECTOR A			
No.	Circuit	No.	Circuit
1	L-GND	11	TM
2	V <sub>DD</sub>	12	TM
3	L-GND	13	DI3
4	V <sub>DD</sub>	14	DO3
5	STB4	15	DI2
6	CLK	16	DO2
7	DI4	17	STB2
8	DO4	18	STB1
9	STB3	19	DI1
10	LAT	20	DO1

CONNECTOR B	
No.	Circuit
1	VH
2	VH
3	VH
4	P-GND
5	P-GND
6	P-GND

L-GND: LOGIC GROUND  
P-GND: POWER GROUND

Printheads

●Timing chart

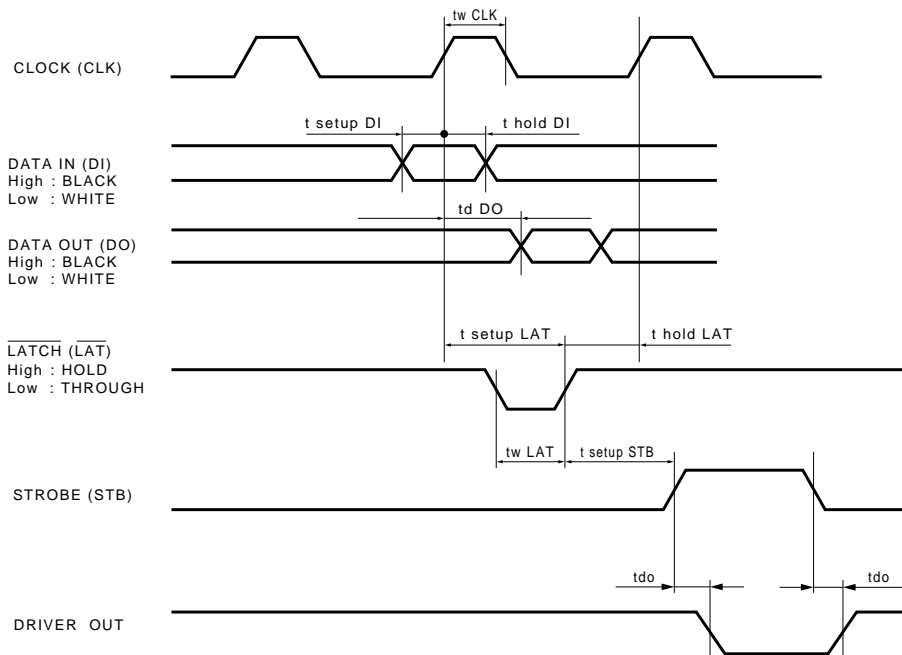


Fig.2

●Characteristics

Parameter	Symbol	Typical	Unit
Effective printing width	-	104	mm
Dot pitch	-	0.125	mm
Total dot number	-	832	dots
Average resistance value	R <sub>ave</sub>	550	Ω
Applied voltage	V <sub>H</sub>	24	V
Applied power	P <sub>O</sub>	0.90	W / dot
Print cycle	SLT	0.82	ms
Pulse width	T <sub>ON</sub>	0.27	ms
Maximum number of dots energized simultaneously	-	448	dots
Maximum clock frequency	-	8	MHz
Maximum roller diameter	-	φ20.0	mm
Running life / pulse life	-	150 / (1×10 <sup>8</sup> )	km / pulses
Operating temperature	-	5~45	°C