

MAS6720

IC FOR 32.768 kHz XO

This is advance information on a new product under development. Micro Analog Systems Oy reserves the right to make any changes without notice.

Preliminary

- Low Cost
- Low Supply Voltage
- Low Current Consumption
- CMOS Output
- Very High Level of Integration

DESCRIPTION

MAS6720 is an integrated circuit well suited to make a fundamental crystal oscillator (XO): only one additional component, a crystal, is needed.

MAS6720 includes an oscillator and an output buffer circuits.

FEATURES

- Very small size
- Minimum current draw
- Wide operating temperature range
- CMOS output

APPLICATIONS

- XO for wrist watches
- XO for clocks
- XO for battery operated systems

BLOCK DIAGRAM

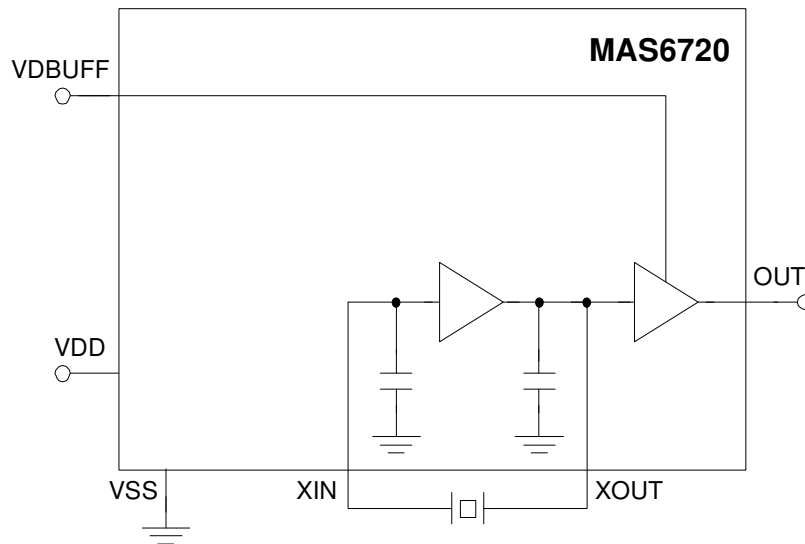


Figure 1. Block diagram of MAS6720.

ABSOLUTE MAXIMUM RATINGS

Parameter	Symbol	Min	Max	Unit	Note
Supply Voltage	$V_{DD} - V_{SS}$	-0.3	6.0	V	
Input Voltage	V_{IN}	$V_{SS} - 0.3$	$V_{DD} + 0.3$	V	
Power Dissipation	P_{MAX}		120	mW	
Operating Temperature	T_{OP}	-40	85	°C	
Storage Temperature	T_{ST}	-55	150	°C	

Note: Stresses beyond the values listed may cause a permanent damage to the device. The device may not operate under these conditions, but it will not be destroyed

RECOMMENDED OPERATION CONDITIONS

Parameter	Symbol	Conditions	Min	Typ	Max	Unit	Note
Supply Voltage	V_{DD}		1.2	1.5	3.6	V	1)
Current Consumption	I_{DD}			1.6	8.0	μA	
Crystal Load Capacitance	C_L			12.5		pF	2)

Note 1: If $V_{DD} = 3.6V$, it is recommended to connect 1nF capacitor to V_{DD} pin.

Note 2: For other load capacitance options contact to Micro Analog Systems Oy.

ELECTRICAL CHARACTERISTICS FOR 1.5V SUPPLY VOLTAGE

$T_A = -40^\circ\text{C}$ to $+85^\circ\text{C}$, typical values at $T_A = +27^\circ\text{C}$, $V_{DD} = 1.5V$, $f_0 = 32.768\text{ kHz}$, Output Load = 15 pF, unless otherwise specified.

Parameter	Symbol	Min	Typ	Max	Unit	Note
Output Load			15	35	pF	
Crystal Frequency Range when Output Load is Maximum 35pF	f_0	30.00	32.768	100.00	kHz	
Output Voltage Range		0	$V_{D,BUFF}$	V_{DD}	V	1)
Rise and Fall Time			3	4	ns	
Start-up Time	T_{START}		0.5		s	
Duty Cycle		40	48-52	60	%	

Note 1: The output voltage is controlled with $V_{D,BUFF}$. Basically $V_{OUT} = V_{D,BUFF}$ and $V_{D,BUFF}$ can be varied between $0 \leq V_{D,BUFF} \leq V_{DD}$.

PIN DESCRIPTION

Pin Description	Symbol	x-coordinate	y-coordinate
Power Supply Voltage	VDD	141	569
Power Supply for Output Buffer	VDBUFF	141	376
Crystal Oscillator Input	XIN	450	141
Crystal Oscillator Output	XOUT	303	141
Power Supply Ground	VSS	588	379
Buffer Output	OUT	588	594

Note: Because the substrate of the die is internally connected to GND, the die has to be connected to GND or left floating. Please make sure that GND is the first pad to be bonded. Pick-and-place and all component assembly are recommended to be performed in ESD protected area.

Note: Pad coordinates are measured from the left bottom corner of the chip to the center of the pads. The coordinates may vary depending on sawing width and location, however, distances between pads are accurate.

IC OUTLINES

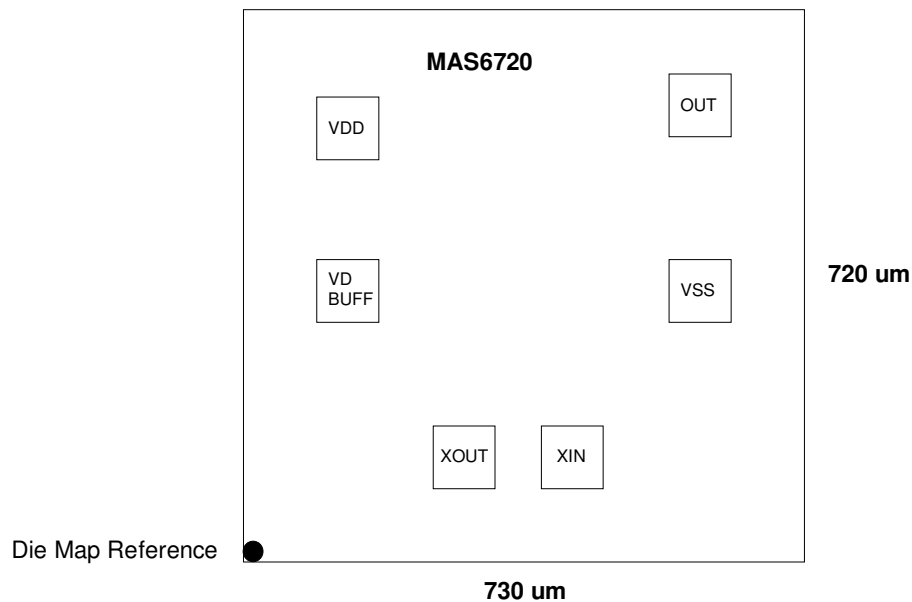


Figure 2. IC outlines.

Note1: Die map reference is the actual left bottom corner of the sawn chip.

Note2: See coordinates in pin description.

Note3: Die dimensions include 80 μm scribes for both sides.

ORDERING INFORMATION

Product Code	Output Frequency	Crystal Load (pF)	Wafer thickness	Comments
MAS6720A1TG00	f_o	12.5	215 μm	Tested, wafer

Contact Micro Analog Systems Oy for crystal loads between 7.0 pF and 16.0 pF.

Contact Micro Analog Systems Oy for other wafer thickness options.

LOCAL DISTRIBUTOR

--

MICRO ANALOG SYSTEMS OY CONTACTS

Micro Analog Systems Oy Kamreerintie 2, P.O. Box 51 FIN-02771 Espoo, FINLAND	Tel. +358 9 80 521 Fax +358 9 805 3213 http://www.mas-oy.com
------------------------------------------------------------------------------------	--------------------------------------------------------------------------------------------------------

NOTICE

Micro Analog Systems Oy reserves the right to make changes to the products contained in this data sheet in order to improve the design or performance and to supply the best possible products. Micro Analog Systems Oy assumes no responsibility for the use of any circuits shown in this data sheet, conveys no license under any patent or other rights unless otherwise specified in this data sheet, and makes no claim that the circuits are free from patent infringement. Applications for any devices shown in this data sheet are for illustration only and Micro Analog Systems Oy makes no claim or warranty that such applications will be suitable for the use specified without further testing or modification.