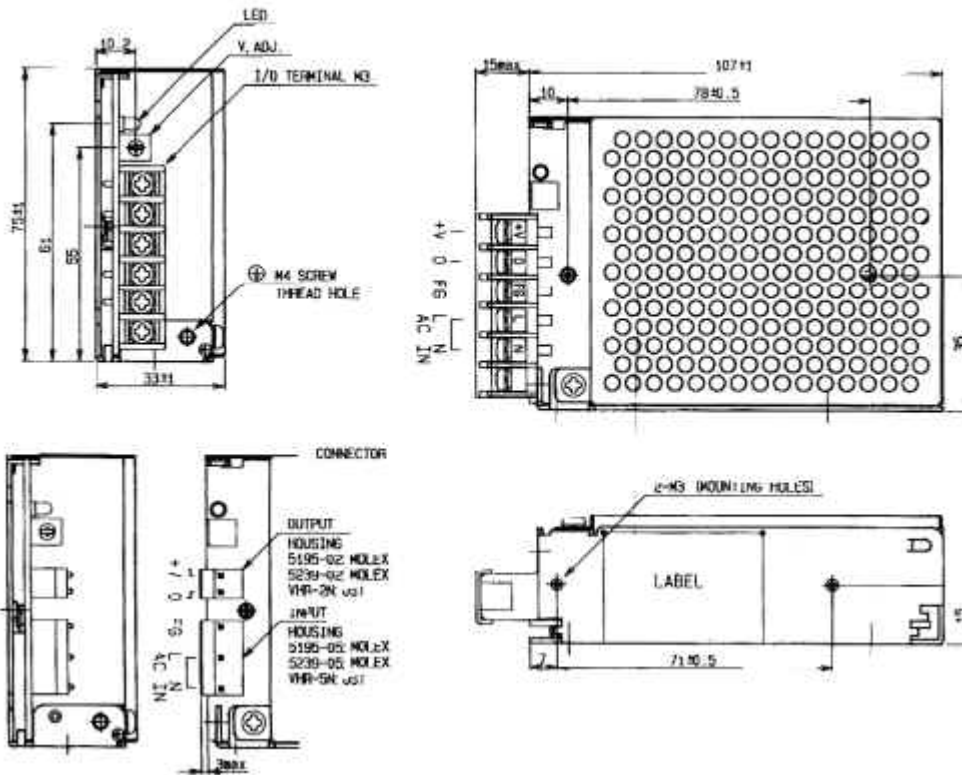


PHYSICAL SPECIFICATIONS

Metal Enclosed - Terminal Block

MODEL	OUTPUT VOLTAGE	OUTPUT CURRENT		EFFICIENCY	LINE REGULATION	LOAD REG.
		@100V	@230V			
SP15U-03S	3.3 VDC	3.0 A	3.6 A	70%	20 mV max.	40 mV
SP15U-05S	5 VDC	3.0 A	3.6 A	73%	20 mV max.	50 mV
SP15U-12S	12 VDC	1.3 A	1.5 A	77%	30 mV max.	50 mV
SP15U-15S	15 VDC	1.0 A	1.2 A	77%	30 mV max.	50 mV
SP15U-24S	24 VDC	0.7 A	0.8 A	78%	30 mV max.	50 mV
SP15U-48S	48 VDC	0.35 A	0.4 A	79%	30 mV max.	50 mV

SP15U



- No. 6-32 mounting holes
- Dimensions in mm
- Terminal block or "pin" type connector available

Note:

All specifications typical and nominal / full load and 25°C unless otherwise noted.
 Mounting screw length should not exceed 0.31 inches or 8 mm.
 Avoid sustained operation in overload or dead short conditions.
 Specifications subject to changes without notice.