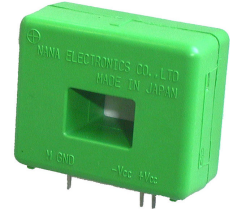


## Current Transducer FA-050..100PV

For the electronic measurement of currents: DC, AC, pulsed, mixed, with a galvanic isolation between the primary circuit (high power) and the secondary circuit (electronic circuit).



$$I_{PN\ DC} = 50 \dots 100 \text{ A}$$



### Electrical data

Primary continuous direct current (nominal) $I_{PN\ DC}$ (A)	Primary current, measuring range $I_{PM}$ (A)	Type	RoHS since date code
50	0 .. ± 70	<b>FA-050PV 50A-4V</b>	planned
100	0 .. ± 130	<b>FA-100PV 100A-4V</b>	46209
$V_{OUT}$	Output voltage (Analog) @ ± $I_{PN\ DC}$ , $R_L = 10k\Omega$ , $T_A = 25^\circ\text{C}$	± 4	V
$I_C$	Current consumption FA-050PV FA-100PV	16 mA ± $I_{PN\ DC} / 1000A$ 16 mA ± $I_{PN\ DC} / 2000A$	
$V_C$	Supply voltage (± 5 %)	± 15	V
$V_d$	Rms voltage for AC isolation test, 50 Hz, 1min	2.5	kV

### Accuracy-Dynamic performance data

$X$	Accuracy @ $T_A = 25^\circ\text{C}$ , + 15 V (+ 5 %)	< ± 1.5% of $I_{PN\ DC}$
$e_L$	Linearity error (0 .. ± $I_{PN\ DC}$ )	< ± 0.25% of $I_{PN\ DC}$
$V_{OE}$	Electrical offset voltage @ $I_p = 0$ , @ $T_A = 25^\circ\text{C}$	< ± 0.016 V
$V_{OH}$	Hysteresis offset voltage @ $I_p = 0$ ; after an excursion of 1 x $I_{PN\ DC}$	< ± 0.012 V
$TCV_{OE}$	Temperature coefficient of $V_{OE}$	< ± 0.4 mV/K
$TCV_{OUT}$	Temperature coefficient of $V_{OUT}$ (% of reading)	< ± 0.04 %/K
$t_r$	Response time to 90% of $I_{PN\ DC}$ step	< 1 μs

### General data

$T_A$	Ambient operating temperature	- 10 .. + 70 °C
$T_S$	Ambient storage temperature	- 15 .. + 80 °C
$m$	Mass	25 g

### Features

- Closed loop (compensation) current transducer using the Hall effect
- Galvanic isolation between primary and secondary circuit
- Isolation voltage 2500 V~
- Compact design for PCB mounting
- Low power consumption

### Advantages

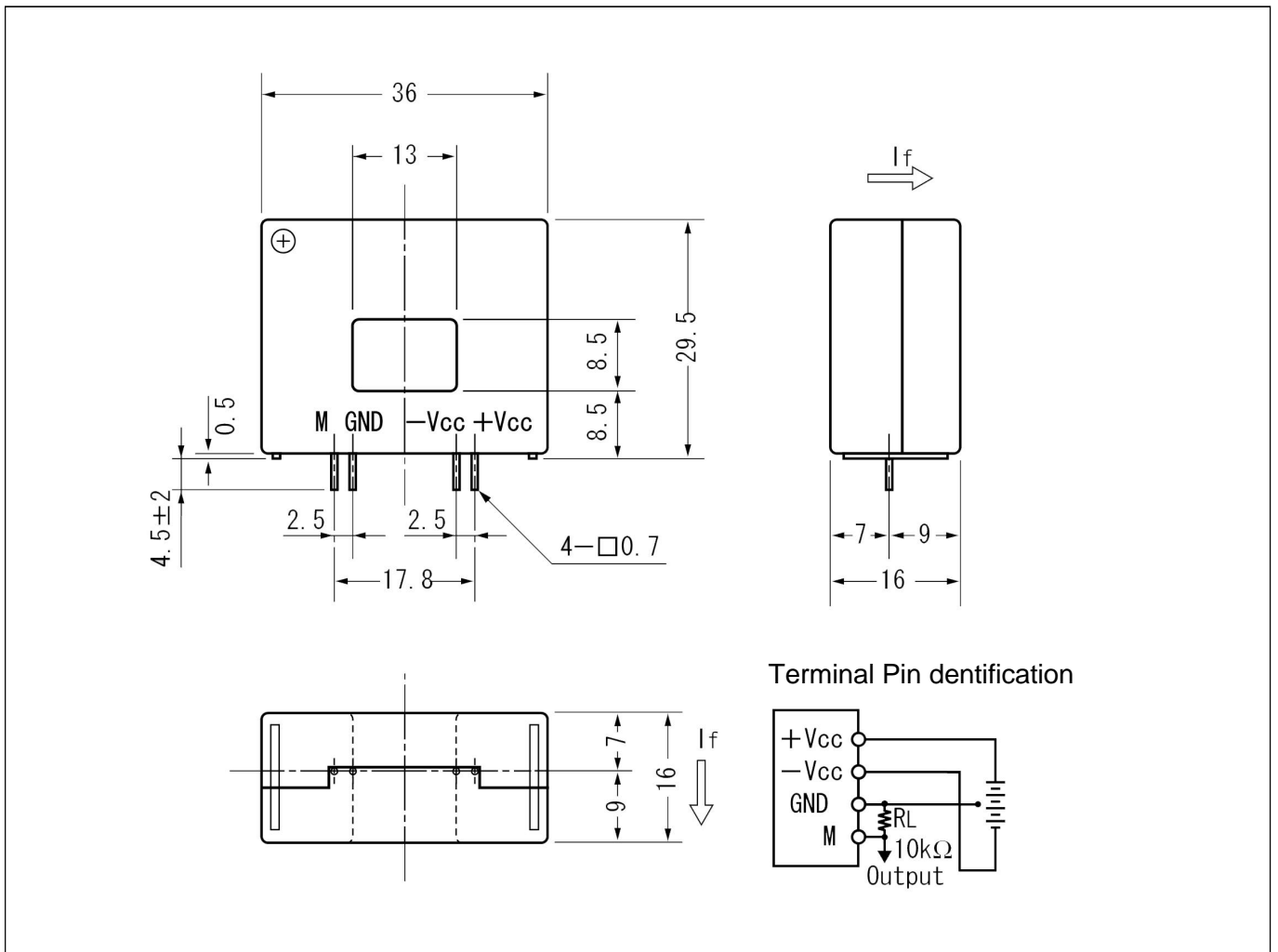
- Easy mounting
- Small size and space saving
- Only one design for wide current ratings range
- High immunity to external interference.

### Applications

- Static converters for DC motor drives
- Switched Mode Power Supplies (SMPS)
- AC variable speed drives and servo motor drives
- Uninterruptible Power Supplies (UPS)
- Battery supplied applications
- Power supplies for welding applications

### Application domain

- Industrial

**Dimensions FA-050..100PV** (in mm. 1 mm = 0.0394 inch)

**Safety**


This transducer must be used in electric/electronic equipment with respect to applicable standards and safety requirements in accordance with the following manufacturer's operating instructions.



Caution, risk of electrical shock

When operating the transducer, certain parts of the module can carry hazardous voltage (eg. primary busbar, power supply). Ignoring this warning can lead to injury and/or cause serious damage.

This transducer is a built-in device, whose conducting parts must be inaccessible after installation.

A protective housing or additional shield could be used.

Main supply must be able to be disconnected.