

FMS6145

Low-Cost Five-Channel 4th-Order Standard Definition Video Filter Driver

Features

- Five 4th-order 8MHz (SD) filters
- Drives single, AC- or DC-coupled, video loads ($2V_{pp}$, 150Ω)
- Drives dual, AC- or DC-coupled, video loads ($2V_{pp}$, 75Ω)
- Transparent input clamping
- AC- or DC-coupled inputs
- AC- or DC-coupled outputs
- DC-coupled outputs eliminate AC-coupling capacitors
- 5V only
- Robust 8kV ESD protection
- Lead-free TSSOP-14 package

Applications

- Cable set-top boxes
- Satellite set-top boxes
- DVD players
- HDTV
- Personal Video Recorders (PVR)
- Video On Demand (VOD)

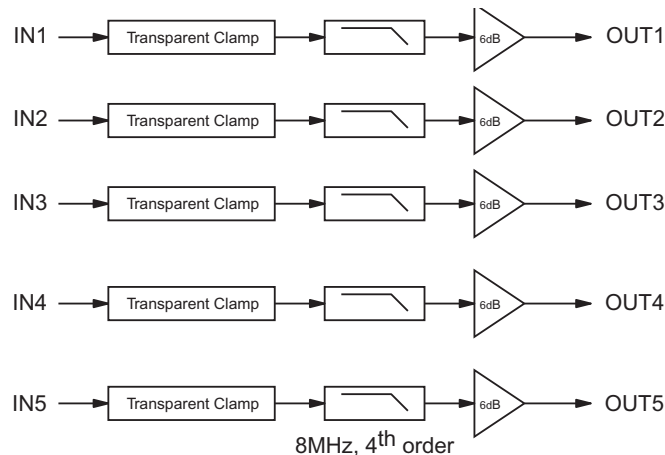
Description

The FMS6145 Low-Cost Video Filter (LCVF) is intended to replace passive LC filters and drivers with a low-cost integrated device. Five 4th-order filters provide improved image quality compared to typical 2nd or 3rd-order passive solutions.

The FMS6145 may be directly driven by a DC-coupled DAC output or an AC-coupled signal. Internal diode clamps and bias circuitry may be used if AC-coupled inputs are required (see *Applications* section for details).

The outputs can drive AC- or DC-coupled single (150Ω) or dual (75Ω) loads. DC coupling the outputs removes the need for output coupling capacitors. The input DC levels are offset approximately $+280mV$ at the output (see *Applications* section for details).

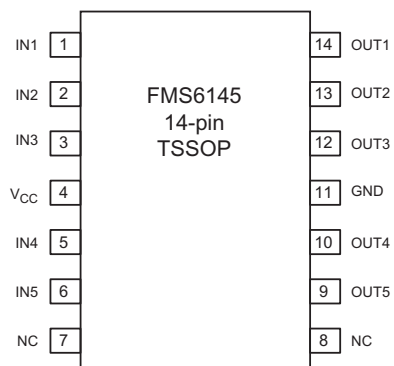
Functional Block Diagram



Ordering Information

| Part Number | Package | Pb-Free | Operating Temperature Range | Packaging Method |
|---------------|----------|---------|-----------------------------|------------------|
| FMS6145MTC14 | TSSOP-14 | Yes | -40°C to +85°C | Tube |
| FMS6145MTC14X | TSSOP-14 | Yes | -40°C to +85°C | Tape and Reel |

Pin Configuration



Pin Assignments

| Pin # | Name | Type | Description |
|-------|-----------------|--------|--------------------------------------|
| 1 | IN1 | Input | Video input, channel 1 |
| 2 | IN2 | Input | Video input, channel 2 |
| 3 | IN3 | Input | Video input, channel 3 |
| 4 | V _{CC} | Input | +5V supply, do not float |
| 5 | IN4 | Input | Video input, channel 4 |
| 6 | IN5 | Input | Video input, channel 5 |
| 7, 8 | NC | | No Connect |
| 9 | OUT5 | Output | Filtered video output, channel 5 |
| 10 | OUT4 | Output | Filtered video output, channel 4 |
| 11 | GND | Output | Must be tied to ground, do not float |
| 12 | OUT3 | Output | Filtered video output, channel 3 |
| 13 | OUT2 | Output | Filtered video output, channel 2 |
| 14 | OUT1 | Output | Filtered video output, channel 1 |

Absolute Maximum Ratings

The “Absolute Maximum Ratings” are those values beyond which the safety of the device cannot be guaranteed. The device should not be operated at these limits. The parametric values defined in the Electrical Characteristics tables are not guaranteed at the absolute maximum ratings. The “Recommended Operating Conditions” table defines the conditions for actual device operation. Functional operation under any of these conditions is NOT implied. Performance and reliability are guaranteed only if recommended operating conditions are not exceeded.

| Parameter | Min. | Max. | Unit |
|--|------|----------------|------|
| DC Supply Voltage | -0.3 | 6 | V |
| Analog and Digital I/O | -0.3 | $V_{CC} + 0.3$ | V |
| Output Channel - Any One Channel (Do Not Exceed) | | 50 | mA |

Reliability Information

| Symbol | Parameter | Min. | Typ. | Max. | Unit |
|---------------|---|------|------|------|------|
| T_J | Junction Temperature | | | 150 | °C |
| T_{STSG} | Storage Temperature Range | -65 | | +150 | °C |
| T_L | Lead Temperature (Soldering, 10s) | | | 300 | °C |
| θ_{JA} | Thermal Resistance, JEDEC Standard Multi-layer Test Boards, Still Air | | 90 | | °C/W |

Recommended Operating Conditions

| Symbol | Parameter | Min. | Typ. | Max. | Unit |
|----------|-----------------------------|-------|------|-------|------|
| T_A | Operating Temperature Range | -40 | | +85 | °C |
| V_{CC} | V_{CC} Range | +4.75 | +5.0 | +5.25 | V |

DC Electrical Characteristics

$T_A = 25^\circ\text{C}$, $V_{CC} = 5\text{V}$, $R_{SOURCE} = 37.5\Omega$; all inputs are AC-coupled with $0.1\mu\text{F}$; all outputs are AC coupled with $220\mu\text{F}$ into 150Ω loads; unless otherwise noted.

| Symbol | Parameter | Conditions | Min. | Typ. | Max. | Units |
|----------|-------------------------------|---------------------------------|------|------|------|----------|
| I_{CC} | Supply Current ⁽¹⁾ | FMS6145 (No Load) | | 30 | 46 | mA |
| V_{IN} | Video Input Voltage Range | Referenced to GND if DC-coupled | | 1.4 | | V_{pp} |
| PSRR | Power Supply Rejection | DC (All Channels) | | -50 | | dB |

Notes:

1.100% tested at 25°C .

AC Electrical Characteristics

$T_A = 25^\circ\text{C}$, $V_{IN} = 1V_{pp}$, $V_{CC} = 5\text{V}$, $R_{SOURCE} = 37.5\Omega$; all inputs are AC coupled with $0.1\mu\text{F}$; all outputs are AC-coupled with $220\mu\text{F}$ into 150Ω loads; unless otherwise noted.

| Symbol | Parameter | Conditions | Min. | Typ. | Max. | Units |
|------------|----------------------------------|--|------|------|------|----------|
| AV | Channel Gain ⁽¹⁾ | All Channels | 5.6 | 6.0 | 6.6 | dB |
| f_{1dB} | -1dB Bandwidth ⁽¹⁾ | All Channels | 4.5 | 6.7 | | MHz |
| f_c | -3dB Bandwidth | All Channels | | 7.9 | | MHz |
| f_{SB} | Attenuation (Stopband Reject) | All Channels at $f = 27\text{MHz}$ | | 48 | | dB |
| dG | Differential Gain | All Channels | | 0.3 | | % |
| $d\phi$ | Differential Phase | All Channels | | 0.6 | | $^\circ$ |
| THD | Output Distortion (All Channels) | $V_{OUT} = 1.8V_{pp}$, 1MHz | | 0.4 | | % |
| X_{TALK} | Crosstalk (Channel-to-Channel) | at 1MHz | | -60 | | dB |
| SNR | Signal-to-Noise Ratio | All Channels, NTC-7 Weighting: 100kHz to 4.2MHz | | 75 | | dB |
| t_{pd} | Propagation Delay | Delay from Input-to-Output, 4.5MHz | | 59 | | ns |

Notes:

1.100% tested at 25°C .

Typical Performance Characteristics

$T_A = 25^\circ\text{C}$, $V_{CC} = 5\text{V}$, $R_{SOURCE} = 37.5\Omega$; all inputs AC coupled with $0.1\mu\text{F}$; all outputs are AC coupled with $220\mu\text{F}$ into 150Ω loads; unless otherwise noted.

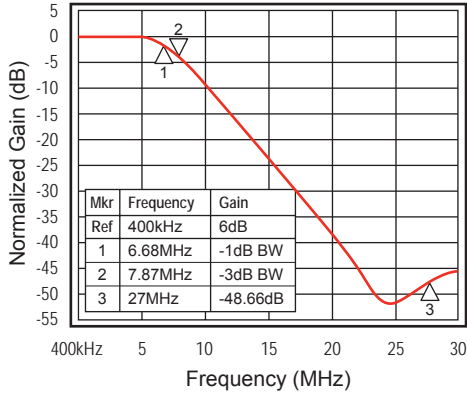


Figure 1. Frequency Response

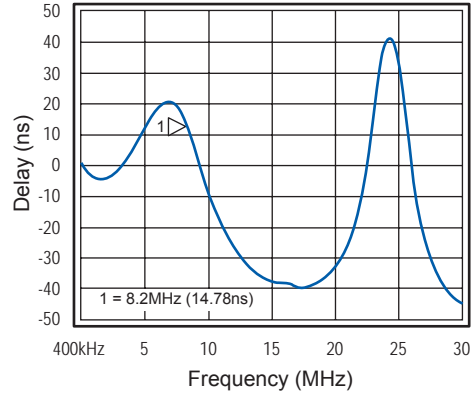


Figure 2. Group Delay vs. Frequency

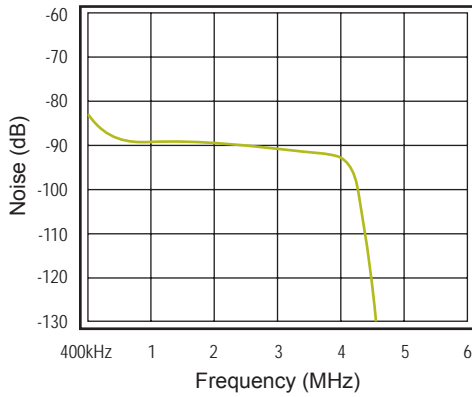


Figure 3. Noise vs. Frequency

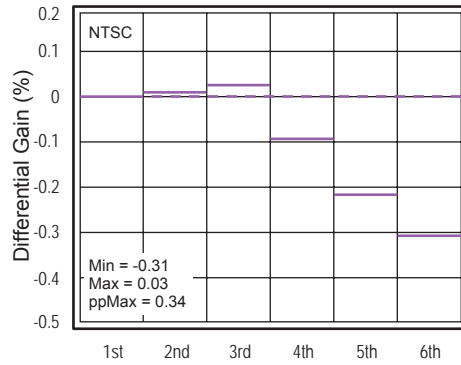


Figure 4. Differential Gain

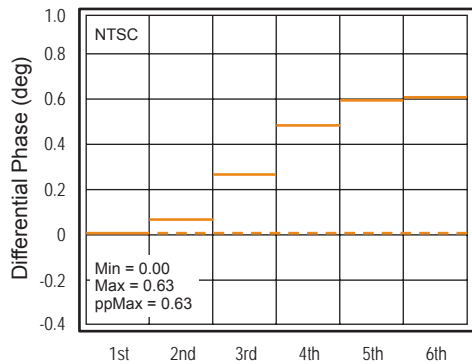


Figure 5. Differential Phase

Typical Application Diagrams

The following circuit may be used for direct DC-coupled drive by DACs with an output voltage range of 0V to 1.4V. AC-coupled or DC-coupled outputs may be used with AC-coupled outputs, offering slightly lower power dissipation.

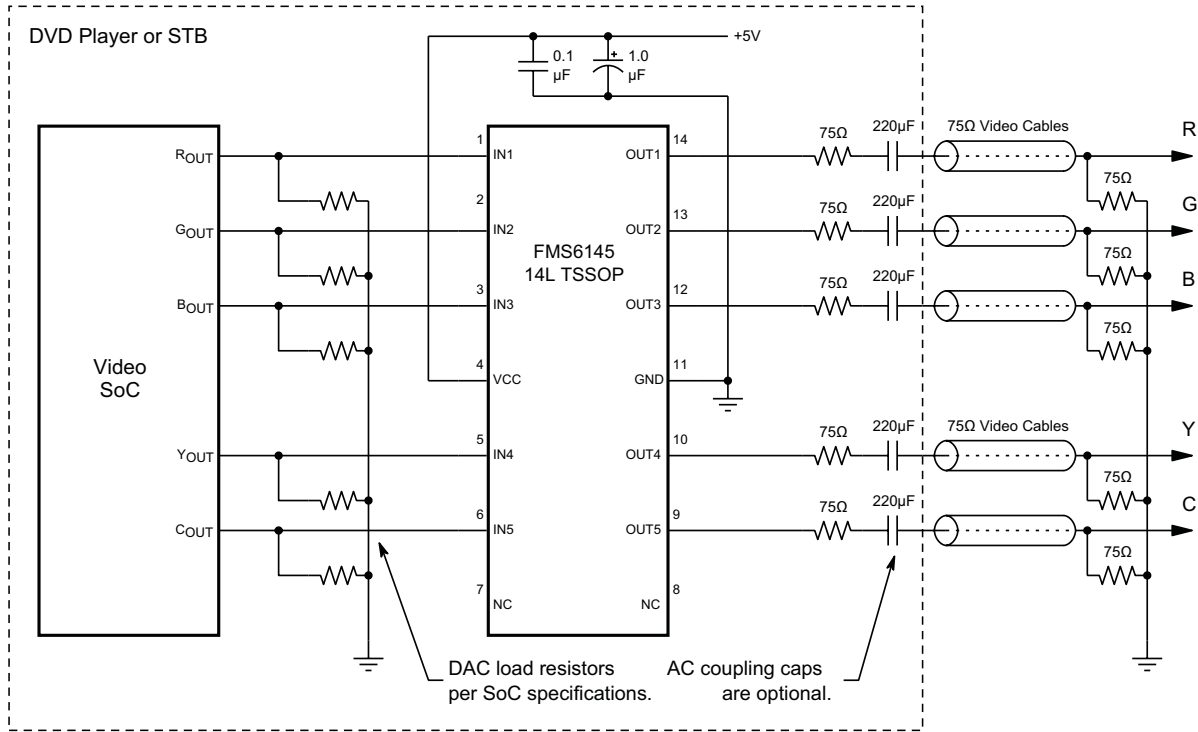
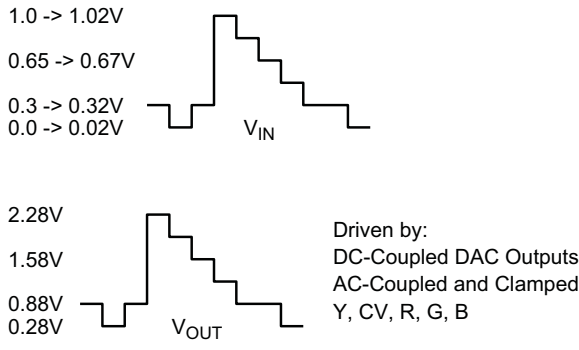


Figure 6. Typical Application Diagram

Application Information

Application Circuits

The FMS6145 Low Cost Video Filter (LCVF) provides 6dB gain from input to output. In addition, the input is slightly offset to optimize the output driver performance. The offset is held to the minimum required value to decrease the standing DC-current into the load. Typical voltage levels are shown in the diagram below:



There is a 280mV offset from the DC input level to the DC output level. $V_{OUT} = 2 * V_{IN} + 280mV$.

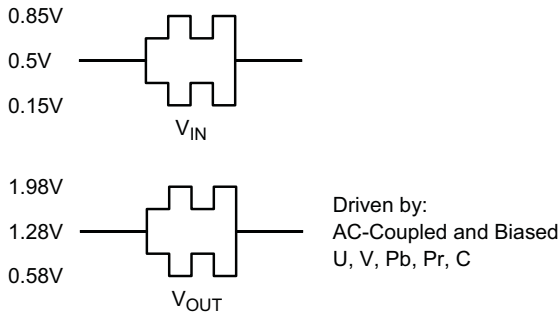


Figure 7. Typical Voltage Levels

The FMS6145 provides an internal diode clamp to support AC-coupled input signals. If the input signal does not go below ground, the input clamp does not operate. This allows DAC outputs to directly drive the FMS6145 without an AC coupling capacitor. When the input is AC coupled, the diode clamp sets the sync tip (or lowest voltage) just below ground. The worst-case sync tip compression due to the clamp cannot exceed 7mV. The input level set by the clamp, combined with the internal DC offset, keeps the output within its acceptable range.

For symmetric signals like Chroma, U, V, Pb, and Pr, the average DC bias is fairly constant and the inputs can be AC coupled with the addition of a pull-up resistor to set the DC input voltage. DAC outputs can also drive these same signals without the AC coupling capacitor. A conceptual illustration of the input clamp circuit is shown in Figure 8.

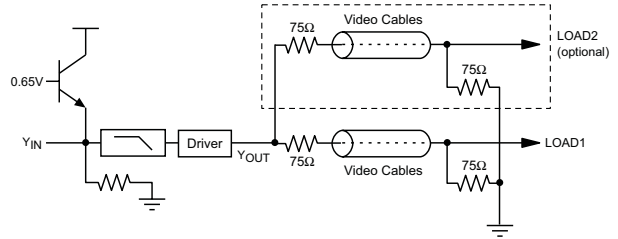


Figure 8. Input Clamp Circuit

I/O Configurations

For a DC-coupled DAC drive with DC-coupled outputs, use the configuration in Figure 9.

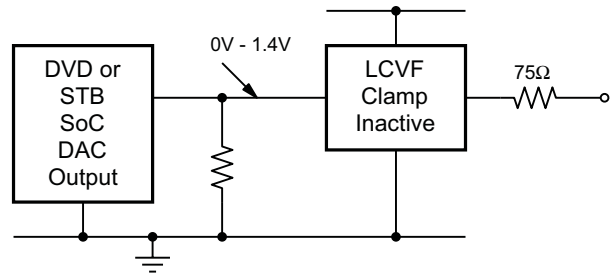


Figure 9. DC-Coupled Inputs and Outputs

Alternatively, if the DAC's average DC output level causes the signal to exceed the range of 0V to 1.4V, it can be AC coupled as shown in Figure 10.

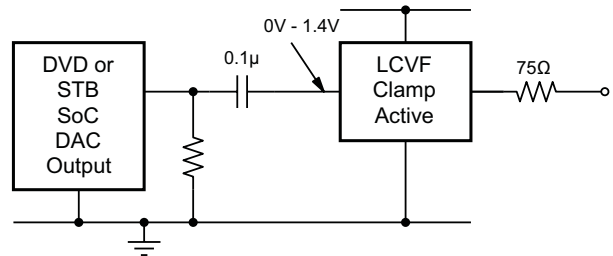


Figure 10. AC-Coupled Inputs, DC-Coupled Outputs

When the FMS6145 is driven by an unknown external source or a SCART switch with its own clamping circuitry, the inputs should be AC coupled as shown in Figure 11.

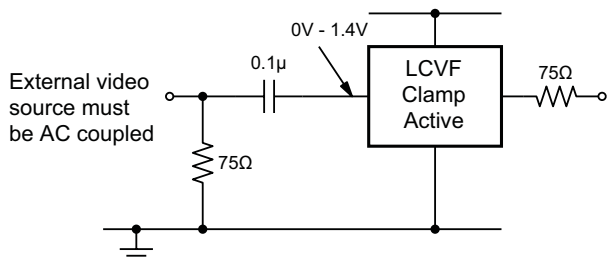


Figure 11. SCART with DC-Coupled Outputs

The same method can be used for biased signals, with the addition of a pull-up resistor to make sure the clamp never operates. The internal pull-down resistance is $800\text{k}\Omega \pm 20\%$, so the external resistance should be $7.5\text{M}\Omega$ to set the DC level to 500mV ; as shown in Figure 12.

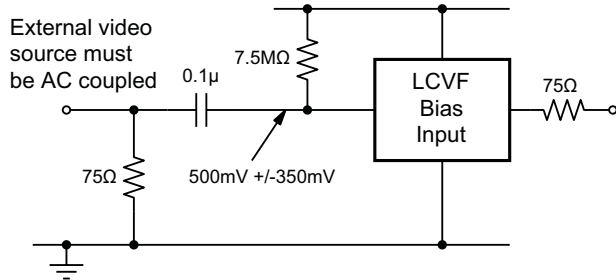


Figure 12. Biased SCART with DC-Coupled Outputs

The same circuits can be used with AC-coupled outputs if desired.

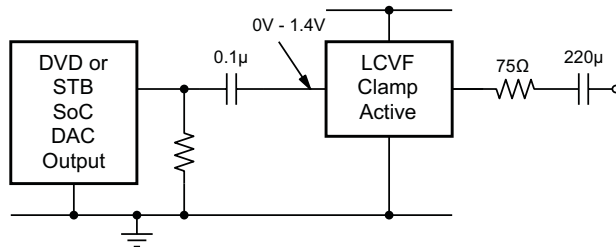


Figure 13. DC-Coupled Inputs, AC-Coupled Outputs

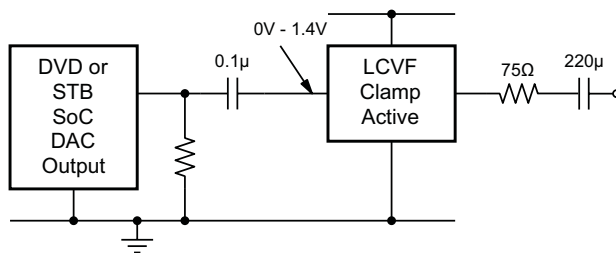


Figure 14. AC-Coupled Inputs and Outputs

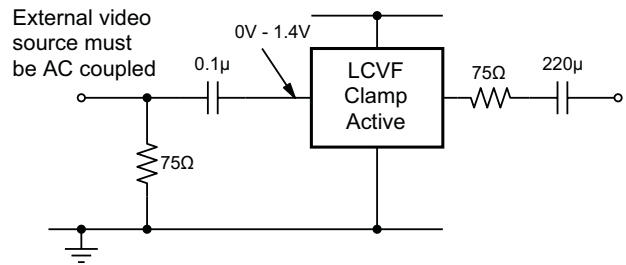


Figure 15. Biased SCART with AC-Coupled Outputs

Note: The video tilt or line time distortion is dominated by the AC-coupling capacitor. The value may need to be increased beyond $220\mu\text{F}$ to obtain satisfactory operation in some applications.

Power Dissipation

The FMS6145 output drive configuration must be considered when calculating overall power dissipation. Care must be taken not to exceed the maximum die junction temperature. The following example can be used to calculate the FMS6146's power dissipation and internal temperature rise.

$$T_j = T_A + P_d \cdot \theta_{JA} \quad \text{EQ. 1}$$

$$\text{where: } P_d = P_{CH1} + P_{CH2} + P_{CH3} \text{ and} \quad \text{EQ. 2}$$

$$P_{CHx} = V_{CC} \cdot I_{CH} - (V_O^2/R_L) \quad \text{EQ. 3}$$

$$\text{where: } V_O = 2V_{IN} + 0.280V \quad \text{EQ. 4}$$

$$I_{CH} = (I_{CC}/3) + (V_O/R_L) \quad \text{EQ. 5}$$

V_{IN} = RMS value of input signal

$I_{CC} = 30\text{mA}$

$V_{CC} = 5V$

R_L = channel load resistance

Board layout can also affect thermal characteristics. Refer to the *Layout Considerations* section for details.

The FMS6145 is specified to operate with output currents typically less than 50mA , more than sufficient for a dual (75Ω) video load. Internal amplifiers are current limited to a maximum of 100mA and should withstand brief-duration short-circuit conditions; this capability is not guaranteed.

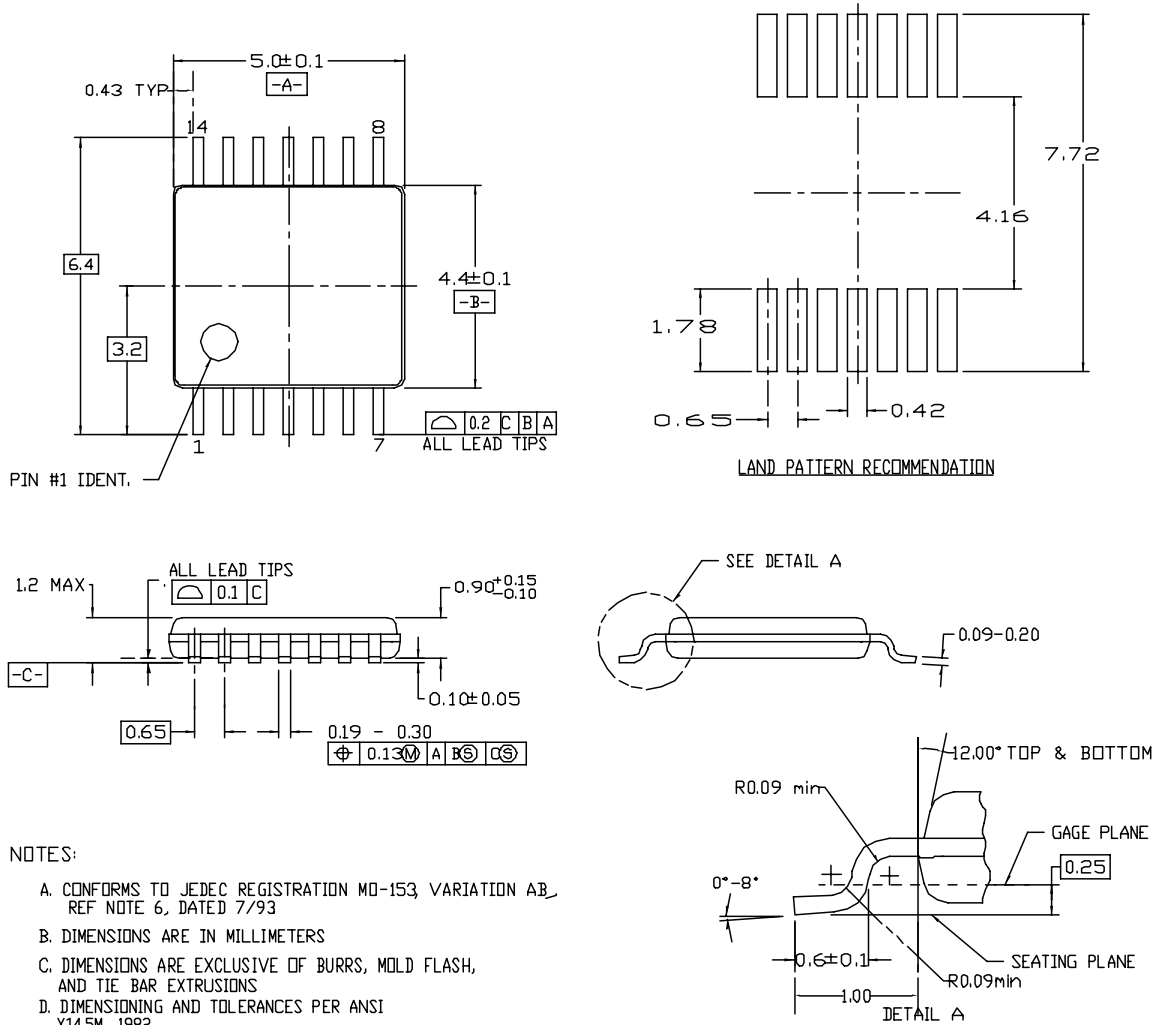
Layout Considerations

General layout and supply bypassing play major roles in high-frequency performance and thermal characteristics. Fairchild offers a demonstration board, FMS6145DEMO, to guide layout and aid device testing and characterization. The FMS6145DEMO is a four-layer board with full power and ground planes. Following this layout configuration provides the optimum performance and thermal characteristics. For optimum results, follow the guidelines below as a basis for high-frequency layout:

- Include $1\mu\text{F}$ and $0.1\mu\text{F}$ ceramic bypass capacitors.
- Place the $1\mu\text{F}$ capacitor within 0.75 inches of the power pin.
- Place the $0.1\mu\text{F}$ capacitor within 0.1 inches of the power pin.
- For multi-layer boards, use a large ground plane to help dissipate heat.
- For two-layer boards, use a ground plane that extends beyond the device by at least 0.5 inches.
- Minimize all trace lengths to reduce series inductances.

Mechanical Dimensions

Dimensions are in millimeters unless otherwise noted.



NOTES:

- A. CONFORMS TO JEDEC REGISTRATION MO-153, VARIATION AB, REF NOTE 6, DATED 7/93
- B. DIMENSIONS ARE IN MILLIMETERS
- C. DIMENSIONS ARE EXCLUSIVE OF BURRS, MOLD FLASH, AND TIE BAR EXTRUSIONS
- D. DIMENSIONING AND TOLERANCES PER ANSI Y14.5M, 1982

MTC14revD

Figure 16. TSSOP-14 Package

TRADEMARKS

The following are registered and unregistered trademarks Fairchild Semiconductor owns or is authorized to use and is not intended to be an exhaustive list of all such trademarks.

| | | | | |
|--|---------------------------------|---------------------------------|------------------------------|---------------------|
| ACE _x [™] | FACT Quiet Series [™] | OCX [™] | SILENT SWITCHER [®] | UniFET [™] |
| ActiveArray [™] | GlobalOptoisolator [™] | OCXPro [™] | SMART START [™] | VCX [™] |
| Bottomless [™] | GTO [™] | OPTOLOGIC [®] | SPM [™] | Wire [™] |
| Build it Now [™] | HiSeC [™] | OPTOPLANAR [™] | Stealth [™] | |
| CoolFET [™] | I ² C [™] | PACMAN [™] | SuperFET [™] | |
| CROSSVOL _T [™] | i-Lo [™] | POP [™] | SuperSOT [™] -3 | |
| DOME [™] | ImpliedDisconnect [™] | Power247 [™] | SuperSOT [™] -6 | |
| EcoSPARK [™] | IntelliMAX [™] | PowerEdge [™] | SuperSOT [™] -8 | |
| E ² CMOS [™] | ISOPLANAR [™] | PowerSaver [™] | SyncFET [™] | |
| EnSigna [™] | LittleFET [™] | PowerTrench [®] | TCM [™] | |
| FACT [®] | MICROCOUPLER [™] | QFET [®] | TinyBoost [™] | |
| FAST [®] | MicroFET [™] | QS [™] | TinyBuck [™] | |
| FAST _r [™] | MicroPak [™] | QT Optoelectronics [™] | TinyPWM [™] | |
| FPS [™] | MICROWIRE [™] | Quiet Series [™] | TinyPower [™] | |
| FRFET [™] | MSX [™] | RapidConfigure [™] | TinyLogic [®] | |
| | MSXPro [™] | RapidConnect [™] | TINYOPTO [™] | |
| Across the board. Around the world. [™] | | μSerDes [™] | TruTranslation [™] | |
| The Power Franchise [®] | | ScalarPump [™] | UHC [®] | |
| Programmable Active Droop [™] | | | | |

DISCLAIMER

FAIRCHILD SEMICONDUCTOR RESERVES THE RIGHT TO MAKE CHANGES WITHOUT FURTHER NOTICE TO ANY PRODUCTS HEREIN TO IMPROVE RELIABILITY, FUNCTION, OR DESIGN. FAIRCHILD DOES NOT ASSUME ANY LIABILITY ARISING OUT OF THE APPLICATION OR USE OF ANY PRODUCT OR CIRCUIT DESCRIBED HEREIN; NEITHER DOES IT CONVEY ANY LICENSE UNDER ITS PATENT RIGHTS, NOR THE RIGHTS OF OTHERS. THESE SPECIFICATIONS DO NOT EXPAND THE TERMS OF FAIRCHILD'S WORLDWIDE TERMS AND CONDITIONS, SPECIFICALLY THE WARRANTY THEREIN, WHICH COVERS THESE PRODUCTS.

LIFE SUPPORT POLICY

FAIRCHILD'S PRODUCTS ARE NOT AUTHORIZED FOR USE AS CRITICAL COMPONENTS IN LIFE SUPPORT DEVICES OR SYSTEMS WITHOUT THE EXPRESS WRITTEN APPROVAL OF FAIRCHILD SEMICONDUCTOR CORPORATION.

As used herein:

- Life support devices or systems are devices or systems which, (a) are intended for surgical implant into the body, or (b) support or sustain life, or (c) whose failure to perform when properly used in accordance with instructions for use provided in the labeling, can be reasonably expected to result in significant injury to the user.
- A critical component is any component of a life support device or system whose failure to perform can be reasonably expected to cause the failure of the life support device or system, or to affect its safety or effectiveness.

PRODUCT STATUS DEFINITIONS

Definition of Terms

| Datasheet Identification | Product Status | Definition |
|--------------------------|------------------------|--|
| Advance Information | Formative or In Design | This datasheet contains the design specifications for product development. Specifications may change in any manner without notice. |
| Preliminary | First Production | This datasheet contains preliminary data, and supplementary data will be published at a later date. Fairchild Semiconductor reserves the right to make changes at any time without notice to improve design. |
| No Identification Needed | Full Production | This datasheet contains final specifications. Fairchild Semiconductor reserves the right to make changes at any time without notice to improve design. |
| Obsolete | Not In Production | This datasheet contains specifications on a product that has been discontinued by Fairchild semiconductor. The datasheet is printed for reference information only. |

Rev. I22