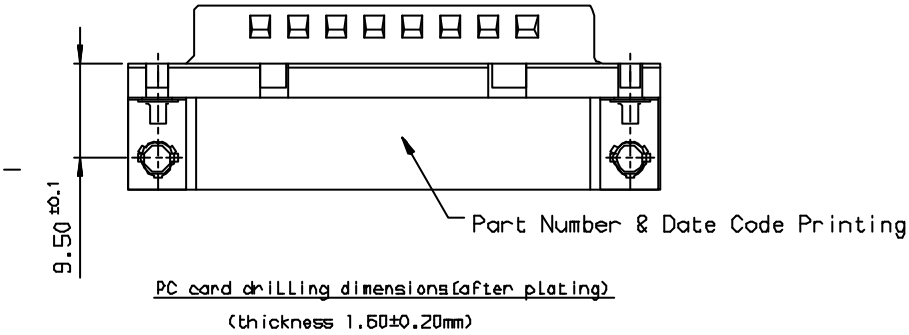
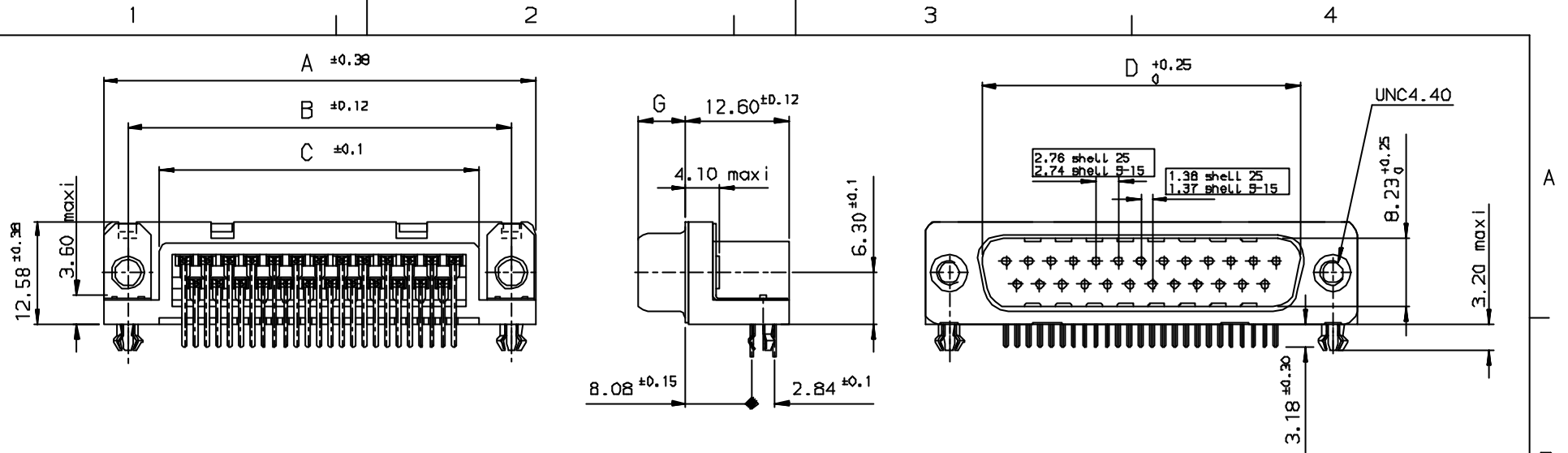


Tous droits strictement réservés. Reproduction ou communication à des tiers interdites sans autorisation écrite de la Direction des Conception et de la Production. Propriété de FCI. Droits de reproduction FCI.

FCI

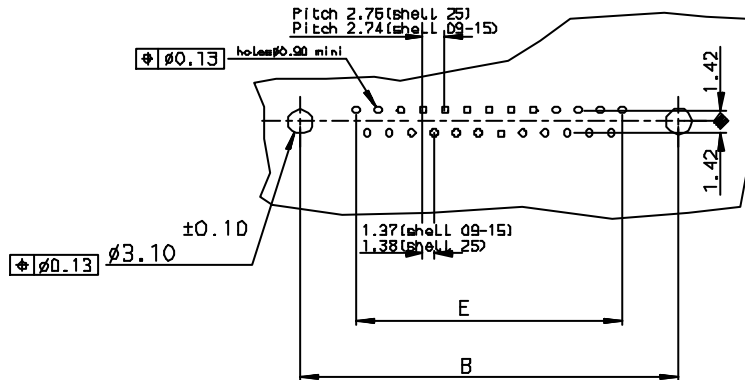
All rights strictly reserved. Reproduction or communication to third parties in any form without the written authorization of the Design and Production Department. Property of FCI. Copyright FCI.



| Pull parts | | | | | | | |
|------------|--------|--------|--------|--------|--------|--------|----------------|
| SHELL | A±0.38 | B±0.12 | C±0.10 | D±0.25 | E±0.07 | G±0.25 | PART NUMBER |
| 09 | 30.81 | 24.99 | 16.96 | 16.79 | 10.96 | 5.90 | D09P33E4GX00** |
| 15 | 39.14 | 33.32 | 25.18 | 25.12 | 19.18 | 5.90 | D15P33E4GX00** |
| 25 | 53.03 | 47.04 | 39.12 | 38.84 | 33.12 | 5.70 | D25P33E4GX00** |

GENERAL CHARACTERISTICS, SEE DRAWING C01-8646-D000

LF FOR LEAD FREE



| INDEX | DATE | REVISION DESCRIPTION |
|-------|---------|-------------------------|
| c | 27/7/05 | LEAD FREE DETAILS ADDED |

| Utr | Eon no | Dr | date |
|-----|----------|----|---------|
| c | 105-0124 | J5 | 27/7/05 |

| Dr JOHN SLEEBA | | 27/10/97 | Product Family | D-SUB | Tolerance | Projection | Size | Scale |
|---------------------|--|---|----------------|-----------------|-------------|--------------|------|-------|
| Eng GEORGE VJ | | 27/10/97 | Spec ref | | LINEAR ±0.1 | ANGULAR ±1° | A3 | MM |
| Chr GEORGE VJ | | 27/7/05 | Material | | | | | |
| Appr K Somasundaram | | 27/7/05 | | | | | | |
| FCI | | Title | | Dng no | | Rev. | | |
| | | MALE CONNECT, DELTA D right angle with nut, harpoon & metal plate | | C01-8646-0158-2 | | c | | |
| Catalog no | | DELTA-D | | CUSTOMER COPY | | Sheet 1 of 1 | | |