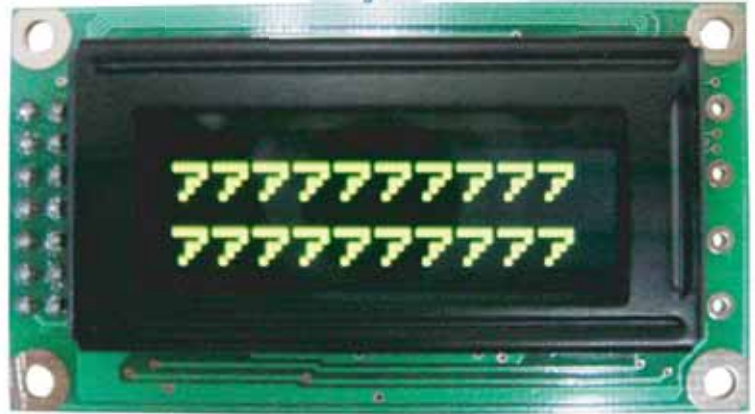


BL1002A



Feature

1. COB with metal frame
2. 5x7 dots with cursor
3. Software command same as KS0066
4. + 5V single power supply
5. 1/16 duty cycle
6. Color: yellow green



Mechanical Data

Item	Standard Value	Unit
Module Dimension	58.0 x 32.0	mm
Viewing Area	36.0 x 14.0	mm
Dot Size	0.4 x 0.5	mm
Character Size	2.4 x 4.21	mm

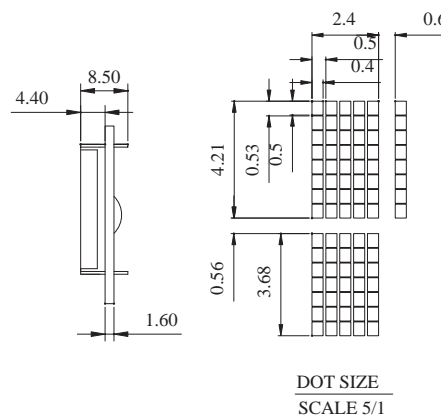
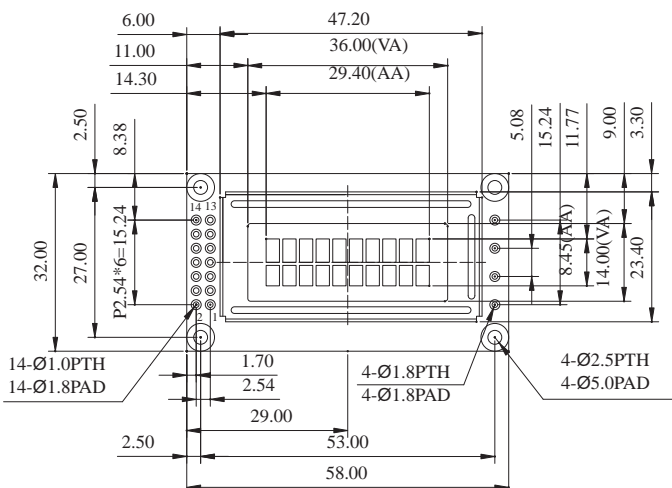
Pin Assignment

Pin	Symbol	Function
1	Vss	GND
2	Vdd	+5V
3	Vbt	Brightness Adjust(2.0V)
4	RS	H/L register select signal
5	R/W	H/L read/write signal
6	E	H --> L enable signal
7 ~ 14	DB0 ~ 7	H/L data bus line

Electronic Characteristics

Item	Symbol	Condition	Typical Value	Unit
Input Voltage	Vdd	Vdd = +5V	5.0	V
Supply Current	Idd	Vdd = +5V	10	mA
Pixel Brightness	lu	Vdd = +5V	30	cdm
Life Time		Vdd = +5V	10000	hrs

Dimension



PIN NO.	SYMBOL
1	Vss
2	Vdd
3	VBT
4	RS
5	R/W
6	E
7	DB0
8	DB1
9	DB2
10	DB3
11	DB4
12	DB5
13	DB6
14	DB7