

FEATURES

- AT CUT CRYSTAL PERFORMANCE
- THERMOPLASTIC PACKAGE SUITED FOR REFLOW SOLDERING
- EXCELLENT FOR HIGH DENSITY CIRCUIT BOARDS

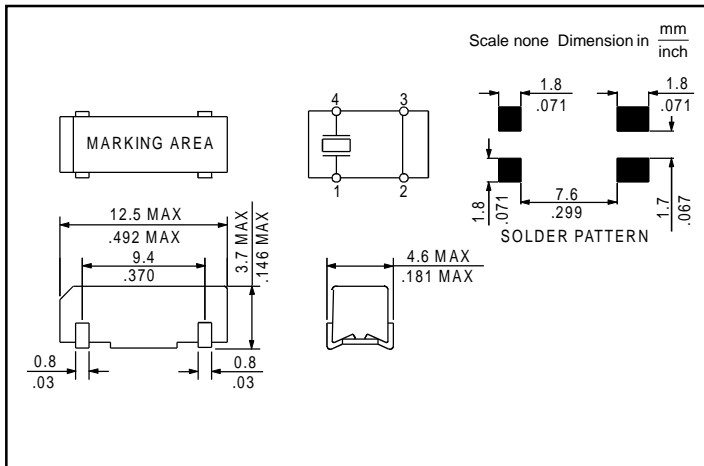
SPECIFICATIONS

MODEL TYPE		TT-SMDC
FREQUENCY RANGE		3.579545 MHz TO 70.000 MHz
MODE OF OSCILLATION	FUNDAMENTAL	3.579545 MHz TO 30.000 MHz
	THIRD OVERTONE	30.10 MHz TO 70.000 MHz
FREQUENCY TOLERANCE AT 25 C		±50 PPM MAX (±30 PPM AVAILABLE)
FREQUENCY STABILITY OVER TEMPERATURE		±50 PPM MAX (±30 PPM AVAILABLE)
TEMPERATURE RANGE	OPERATING	-10 C TO +60 C
	EXTENDED	-40 C TO +85 C
LOAD CAPACITANCE		12 pF TO 32 pF OR SERIES
SHUNT CAPACITANCE		7 pF MAXIMUM
EQUIVALENT SERIES RESISTANCE (ESR)		SEE TABLE 1
DRIVE LEVEL		100 W MAXIMUM
SHOCK RESISTANCE		±5 PPM MAXIMUM 75 cm DROP TEST IN 3 AXES ONTO A HARD SURFACE OR 3000 g/0.3 ms x % SINEWAVE IN 3 AXES
REFLOW CONDITIONS		240 C FOR 10 S MAXIMUM

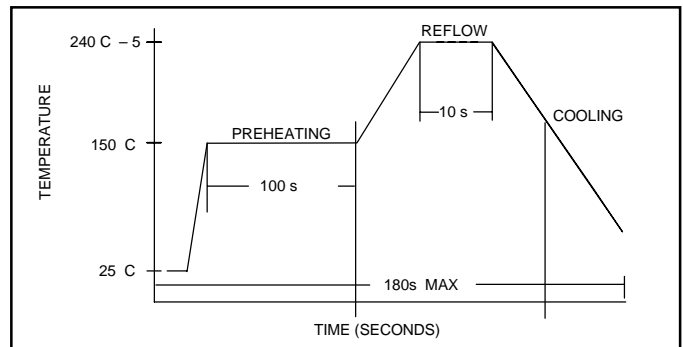


FREQUENCY (MHz)	MODE	MAXIMUM ESR (OHM)
3.50 TO 3.999	FUNDAMENTAL	200
4.00 TO 5.999	FUNDAMENTAL	150
6.00 TO 9.999	FUNDAMENTAL	100
10.00 TO 30.00	FUNDAMENTAL	50
30.10 TO 90.00	THIRD OVERTONE	100

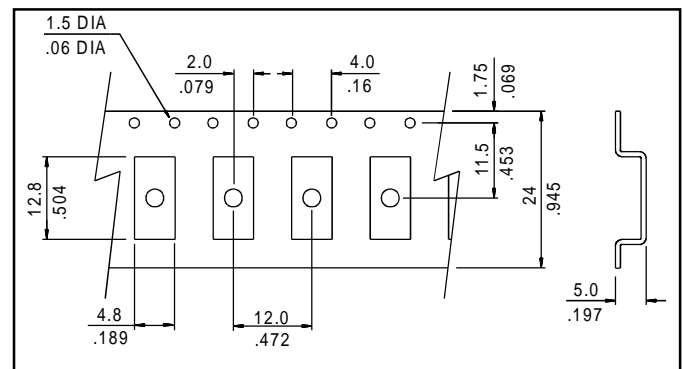
OUTLINE DRAWINGS



REFLOW SOLDERING PROFILE



CARRIER TAPE DIMENSIONS



PACKAGING

330 mm REEL DIAMETER, 24mm TAPE WIDTH. QUANTITY: 1000 PIECES PER REEL

PART NUMBERING SYSTEM

HOLDER TYPE	FREQUENCY	LOAD CAPACITANCE	MODE		TAPE AND REEL
			F	FUNDAMENTAL	
TT-SMDC	IN MHz	12 TO 32 pF FOR PARALLEL S FOR SERIES	3OT	THIRD OVERTONE	TR

EXAMPLE: TT-SMDC-12.288-22-TR