

# HITACHI

KAOHSIUNG HITACHI  
ELECTRONICS CO.,LTD  
P.O. BOX 26-27  
2,13TH EAST ST. K.E.P.Z..  
KAOHSIUNG TAIWAN R.O.C.  
TEL:(07) 8215811 (7 LINE)  
FAX:(07) 821-5815

FOR MESSRS : \_\_\_\_\_

DATE : May.07,2004

## CUSTOMER'S ACCEPTANCE SPECIFICATIONS

### SP06Q002-T C O N T E N T S

No.	ITEM	SHEET No.	PAGE
1	COVER	7B64PS 2701- SP06Q002-T-2	1-1/1
2	RECORD OF REVISION	7B64PS 2702- SP06Q002-T-2	2-1/1
3	GENERAL SPECIFICATIONS	7B64PS 2703- SP06Q002-T-2	3-1/1
4	ABSOLUTE MAXIMUM RATINGS	7B64PS 2704- SP06Q002-T-2	4-1/1
5	ELECTRICAL CHARACTERISTICS	7B64PS 2705- SP06Q002-T-2	5-1/2~2/2
6	OPTICAL CHARACTERISTICS	7B64PS 2706- SP06Q002-T-2	6-1/2~2/2
7	BLOCK DIAGRAM	7B64PS 2707- SP06Q002-T-2	7-1/1
8	INTERFACE TIMING CHART	7B64PS 2708- SP06Q002-T-2	8-1/3~3/3
9	OUTLINE DIMENSIONS	7B63PS 2708- SP06Q002-T-2 7B64PS 2709- SP06Q002-T-2	9-1/2 9-2/2
10	QUALITY STANDARD	7B64PS 2710- SP06Q002-T-2	10-1/3~3/3
11	PRECAUTION IN DESIGN	7B64PS 2711- SP06Q002-T-2	11-1/3~3/3
12	DESIGNATION OF LOT MARK	7B64PS 2712- SP06Q002-T-2	12-1/1
13	PRECAUTION FOR USE	7B64PS 2713- SP06Q002-T-2	13-1/1

\* When product will be discontinued, customer will be informed by HITACHI with twelve months prior announcement.

\* This product is inhibited to apply in any life support instrument.

ACCEPTED BY: \_\_\_\_\_

PROPOSED BY: Jimmy Ho

KAOHSIUNG HITACHI ELECTRONICS CO.,LTD.	Sh. No.	7B64PS 2701- SP06Q002-T-2	PAGE	1-1/1
---	------------	---------------------------	------	-------

## RECORD OF REVISION

DATE	SHEET No.	SUMMARY
May.07,'04	7B64PS 2705-SP06Q002-T-2 Page 5-1/2	5. ELECTRICAL CHARECTERISTICS 5.1 ELECTRICAL CHARCTERISTICS OF LCD revised : Power Supply Current For Logic TYP : (TBD) → (0.1) Power Supply Current for LC Driving TYP : (TBD) → (2.0)
	7B64PS 2705-SP06Q002-T-2 Page 5-2/2	5.5 ELECTRICAL CHARCTERISTICS OF LCD BACKLIGHT revised : Power Supply Current for LED : CONDITION : T.B.D → VLED=5.0V

### 3. GENERAL SPECIFICATIONS

(1) Part Name	SP06Q002-T
(2) Module Size	67.1 (W)mm x 55.8 (H)mm x 3.8 (D)mm
(3) Effective Area	53.2(W)mm min. x 40.4(H)mm min.
(4) Dot Pitch	0.16 (W)mm x 0.16 (H)mm
(5) Dot Size	0.145 (W)mm x 0.145 (H)mm
(6) Resolution	320 (W) x 240 (H) dots
(7) Duty Ratio	1/242
(8) LCD Type	Transflective type B/W F-STN (Positive Mode)
(9) Viewing Direction	6 O'clock
(10) Backlight	LED(Color : Amber)

## 4. ABSOLUTE MAXIMUM RATINGS

### 4.1 ELECTRICAL ABSOLUTE MAXIMUM RATINGS.

VSS=0V:STANDARD

ITEM	SYMBOL	MIN.	MAX.	UNIT	COMMENT
Power Supply for Logic	VDD-VSS	-0.3	7.0	V	(Note 1)
Power Supply for LCD Driving	VCH	-0.3	25	V	(Note 1)
	VM	-0.3	5	V	
	VSH	-0.3	7.0	V	
Input Voltage	Vi	-0.3	VDD+0.3	V	(Note 1,2)

Note 1 : All Voltage values are referred to GND=0V

Note 2 :  $\overline{\text{DOFF}}$  , FLM , CL1 , CL2 , D0~D3 , M.

Note 3 : Make certain you are grounded when handling LCM.

### 4.2 ENVIRONMENTAL ABSOLUTE MAXIMUM RATINGS.

I T E M	OPERATING		STORAGE		COMMENT
	MIN.	MAX.	MIN.	MAX.	
Ambient Temperature	-20°C	70°C	-30°C	80°C	(Note 2,3,4)
Humidity	Note 1		Note 1		Without condensation
Vibration	-	2.45 m/s <sup>2</sup>	-	11.76 m/s <sup>2</sup> (Note 5)	1h max . (Note 6)
Shock	-	29.4 m/s <sup>2</sup>	-	490 m/s <sup>2</sup> (Note 5)	XYZ directions 11ms (Note 6)
Corrosive Gas	Not acceptable		Not acceptable		

Note 1 :  $T_a \leq 40^\circ\text{C}$  : 85%RH max.

$T_a > 40^\circ\text{C}$  : Absolute humidity must be lower . Than the humidity of 85%RH at 40°C

Note 2 :  $T_a$  at  $-30^\circ\text{C}$  ---- < 48h , at  $80^\circ\text{C}$  ---- < 168h.

Note 3 : Background color changes slightly depending on ambient temperature .  
This phenomenon is reversible.

Note 4 : When this LCM is operated under low temperature, the response time will be slower.

Note 5 : This module should be operated normally after finish the test.

Note 6 : The module do not have mounting hole.

It should be fixed by the way of sandwiching-like method.

## 5. ELECTRICAL CHARACTERISTICS

### 5.1 ELECTRICAL CHARACTERISTICS OF LCD

VSS=GND

ITEM	SYMBOL	CONDITION	MIN.	TYP.	MAX.	UNIT
Power Supply Voltage for Logic	VDD-VSS	-	2.5	3.3	4.5	V
Power Supply Voltage for LCD Driving	VCH-VSS	-	-	-	25.0	V
	VSH-VSS	-	2.5	2.8	3.1	
Input Voltage (Note 1)	VI	H level	0.8VDD	-	VDD	V
		L level	0	-	0.2VDD	V
Power Supply Current For Logic	IDD	VDD-VSS=3.3V Note (2)	-	(0.1)	-	mA
Power Supply Current for LC Driving	ICH	VDD-VSS=3.3V Note (2)	-	(2.0)	-	mA
Recommended LC Driving Voltage (Note 3 5)	VCH-VSS	Ta= 0°C , φ=0°	-	(19.1)	-	V
		Ta=25°C , φ=0°	-	(18.3)	-	V
		Ta=50°C , φ=0°	-	(14.5)	-	V
Frame Frequency (Note 4)	fFLM	-	70	75	80	Hz

Note 1 :  $\overline{\text{DOFF}}$  , FLM , CL1 , CL2, D0~D3.

Note 2 : fFLM=75Hz , Test pattern is all "Q".

VCH-VSS=(18.3)V, Ta=25°C.

Note 3 : Recommended LC driving voltage fluctuate about  $\pm 1.0\text{V}$  by each module.

Test pattern is all "Q".

Note 4 : Need to make sure of flickering and rippling of display when setting the frame frequency in your set.

Note 5 : VDD=3.3V VSH=2.8V

VSL=GND

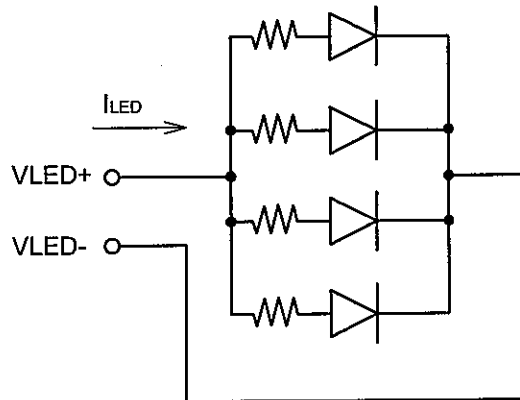
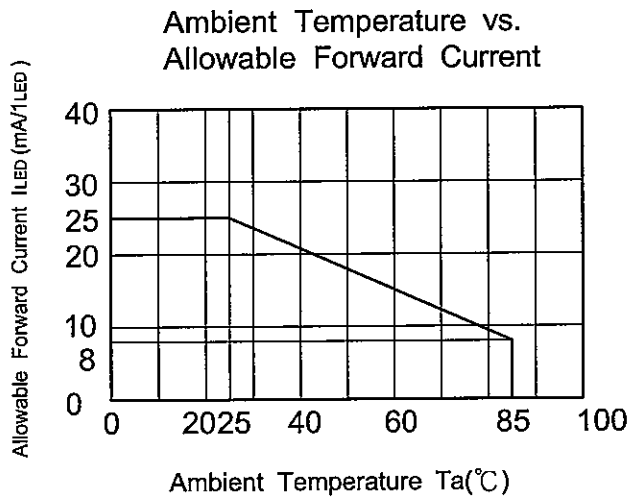
$$VM = \frac{VSH-VSL}{2}$$

### 5.5 ELECTRICAL CHARACTERISTICS OF LED BACKLIGHT

Ta=25°C (Display off)

ITEM	SYMBOL	CONDITION	MIN.	TYP.	MAX.	UNIT
Power Supply Voltage for LED	VLED	-	-	5.0	-	V
Power Supply Current for LED	ILED	VLED=5.0V	-	60	100	mA

Note 1 : The ILED changes depending on ambient temperature.



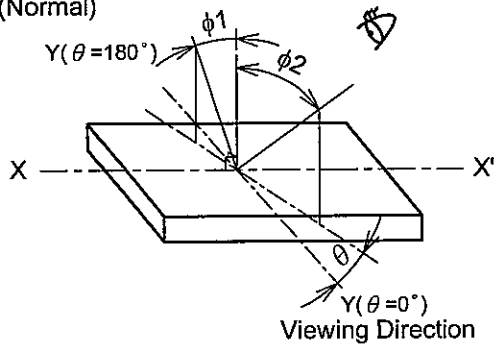
# 6. OPTICAL CHARACTERISTICS

## 6.1 OPTICAL CHARACTERISTICS OF LCD

Ta=25°C (Backlight on)

ITEM	SYMBOL	CONDITION	MIN.	TYP.	MAX.	UNIT	NOTE
Viewing Angle	$\phi_2 - \phi_1$	$K \geq 2.0$	-	80	-	deg.	1,2
Contrast Ratio	K	$\phi = 0^\circ, \theta = 0^\circ$	-	(5)	-	-	3
Response Time (Rise)	$t_r$	$\phi = 0^\circ, \theta = 0^\circ$	-	(150)	-	ms	4
Response Time (Fall)	$t_f$	$\phi = 0^\circ, \theta = 0^\circ$	-	(350)	-	ms	4

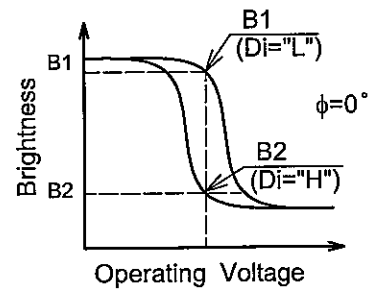
Note 1 : Definition of  $\theta$  and  $\phi$  (Normal)



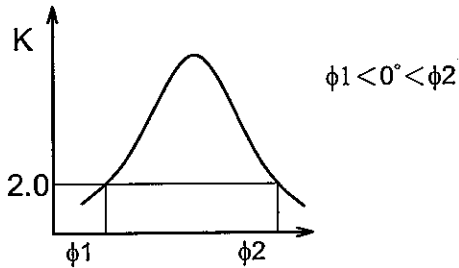
(Measure condition by HITACHI)

Note 3 : Definition of contrast "K"

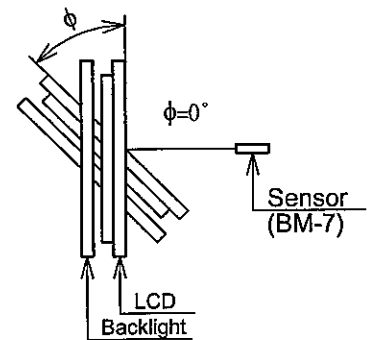
$$K = \frac{\text{Brightness on non-selected dot (B1)}}{\text{Brightness on selected dot (B2)}}$$



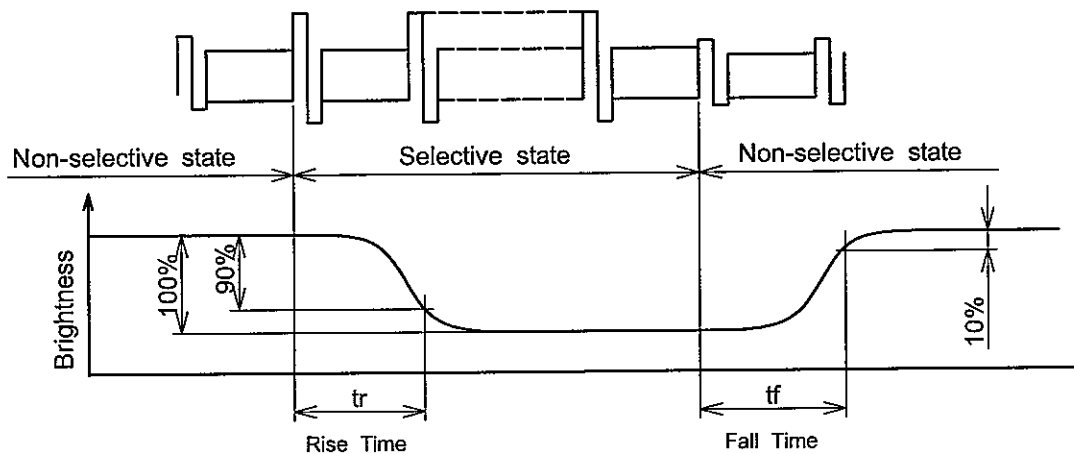
Note 2 : Definition of viewing angle  $\phi_1$  and  $\phi_2$



Contrast ratio K vs viewing angle  $\phi$



Note 4 : Definition of optical response

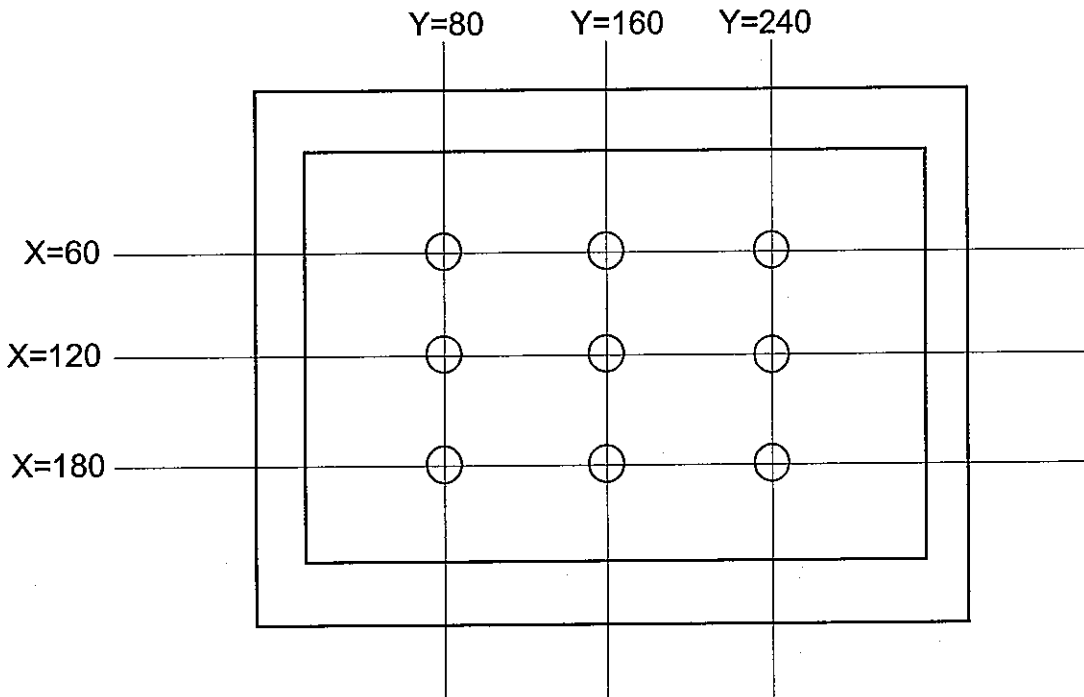


## 6.2 OPTICAL CHARACTERISTICS OF BACKLIGHT

(LCM, BACKLIGHT ON, Ta=25°C)

ITEM	MIN.	TYP.	MAX.	UNIT	NOTE
Brightness Uniformity	-	-	±30	%	(Note 1,2)
Brightness	(6)	(7)	-	cd/m <sup>2</sup>	I <sub>LED</sub> =60 mA

Note 1 : Measure of the following 9 places on the display.

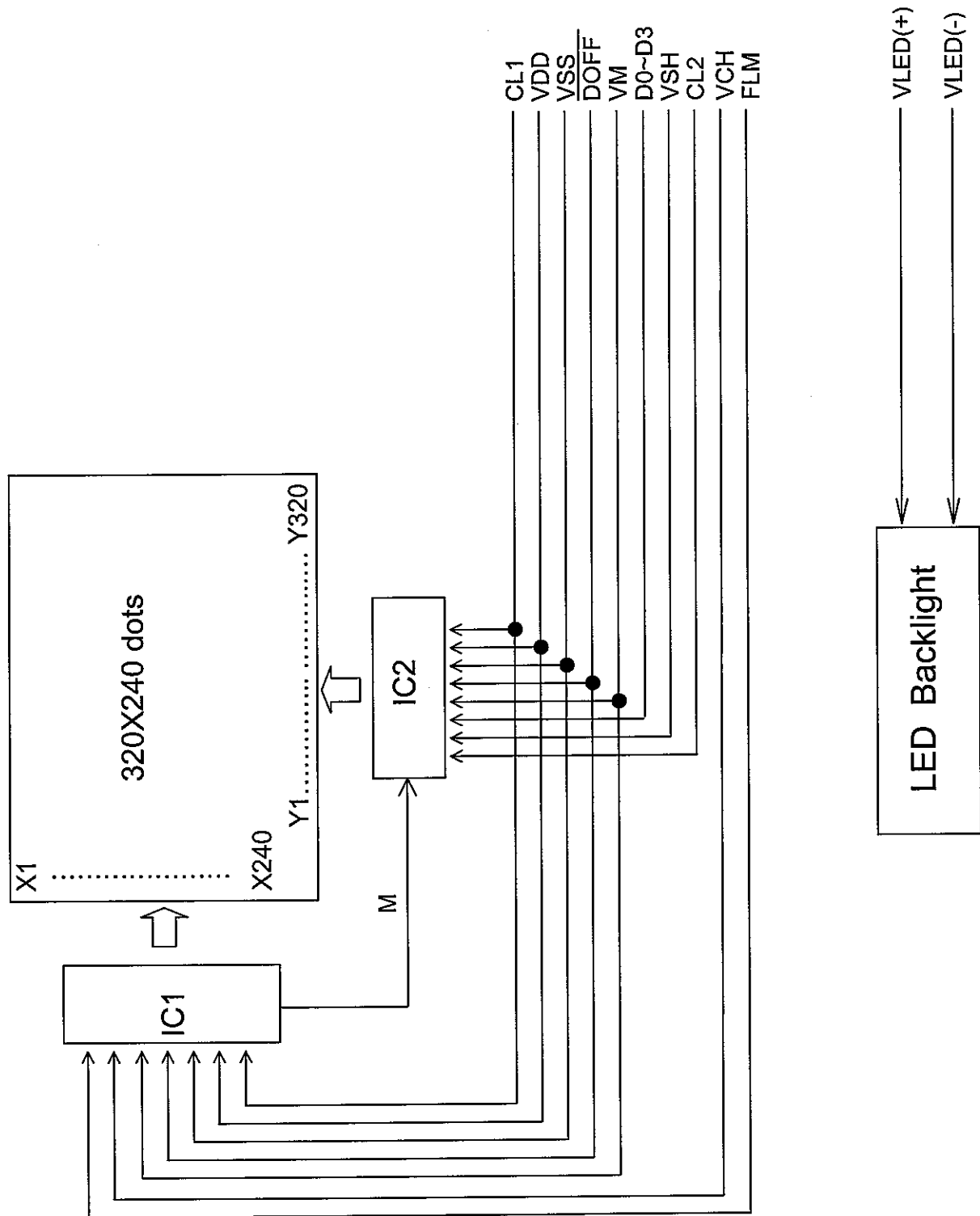


Note 2 : Definition of brightness tolerance.

$$\left( \frac{\text{Max or Min Brightness} - \text{Average Brightness}}{\text{Average Brightness}} \right) \times 100\%$$

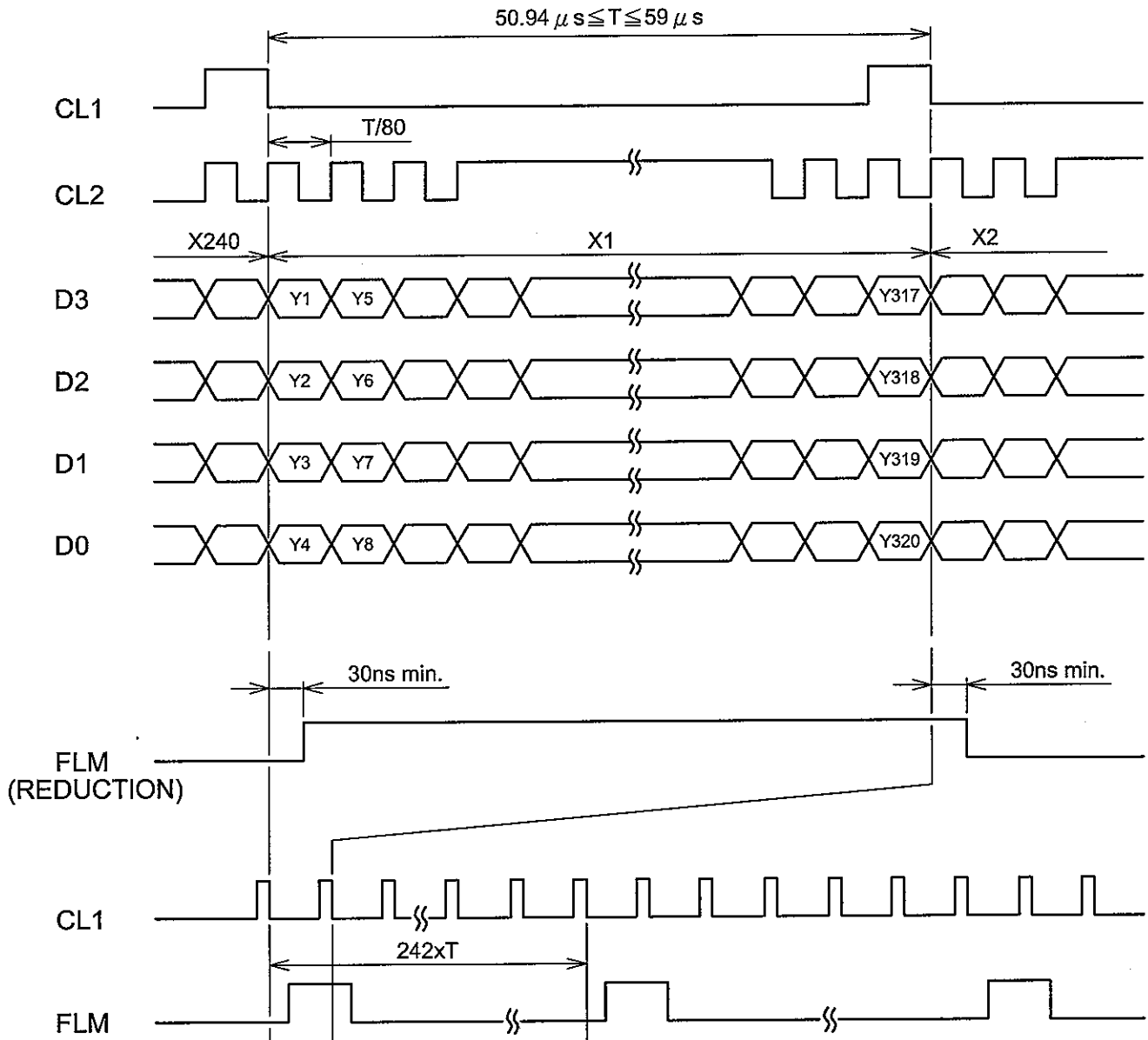


# 7. BLOCK DIAGRAM



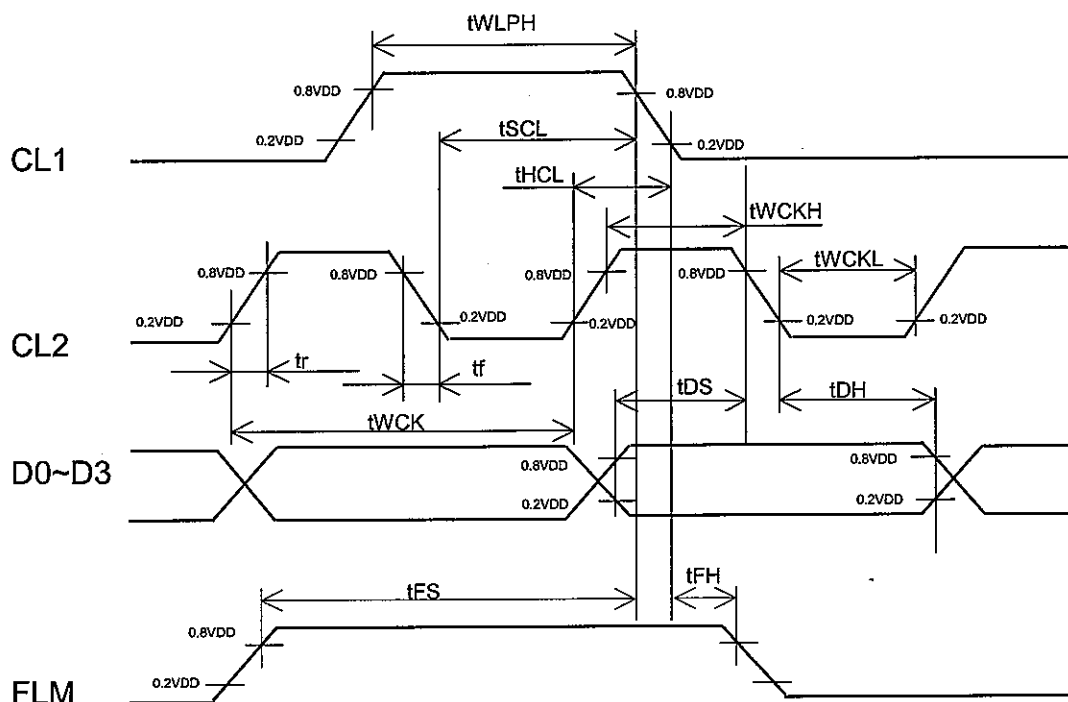
# 8. INTERFACE TIMING

## 8.1 TIMING CHART (4-BITS PARALLEL DATA INPUT)

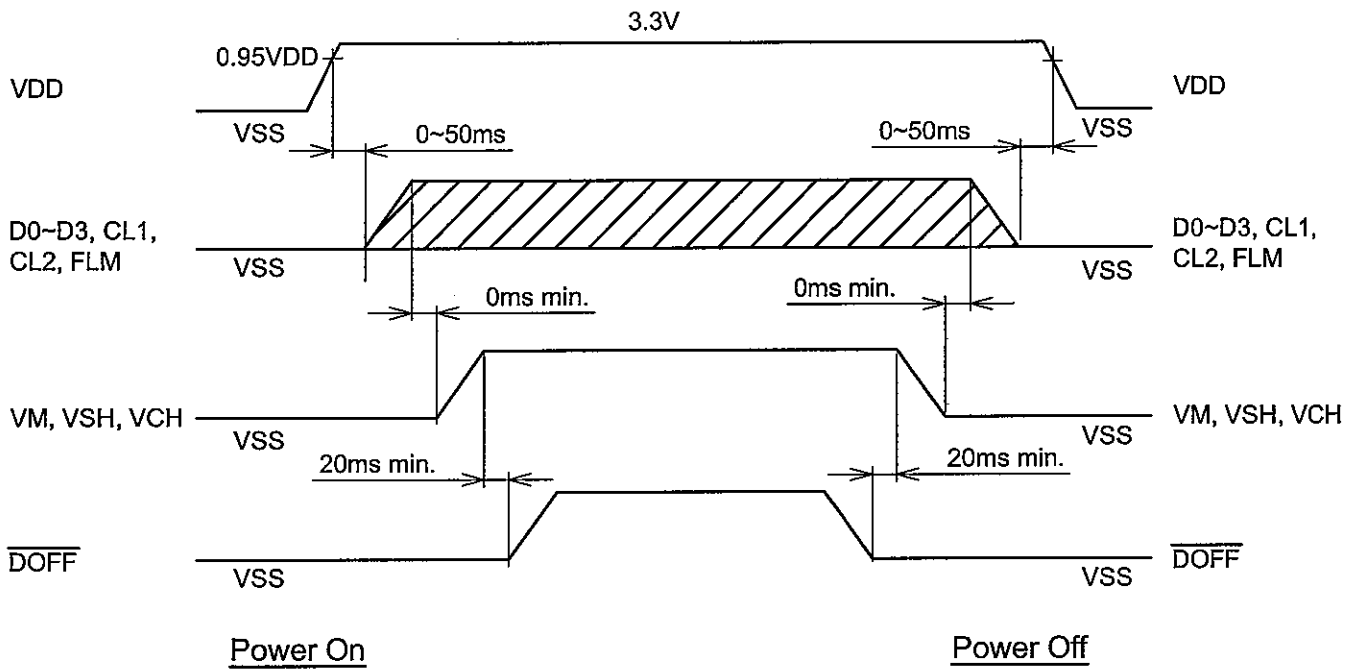


## 8.2 TIMING CHARACTERISTICS

PARAMETER	SYMBOL	MIN.	TYP.	MAX.	UNIT	CONDITION
Shift Clock Period	tWCK	152	-	-	ns	$t_r, t_f \leq 11\text{ns}$
Shift Clock "H" Pulss Width	tWCKH	65	-	-	ns	
Shift Clock "L" Pulss Width	tWCKL	65	-	-	ns	
Data Setup Time	tDS	50	-	-	ns	
Data Hole Time	tDH	50	-	-	ns	
Latch Pulse "H" Pulse Width	tWLPH	65	-	-	ns	
Clock Setup Time	tSCL	80	-	-	ns	
Clock Hold Time	tHCS	80	-	-	ns	
Input Signal Rise Time	t <sub>r</sub>	-	-	30	ns	
Input Signal Fall Time	t <sub>f</sub>	-	-	30	ns	
"FLM" Set Up Time	tFS	100	-	-	ns	-
"FLM" Hold Time	tFH	30	-	-	ns	-



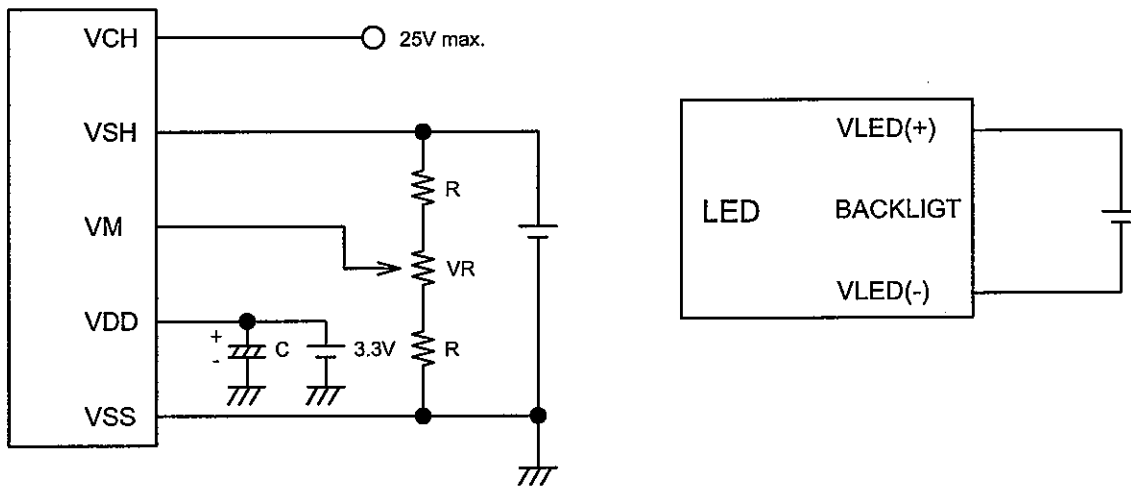
### 8.3 TIMING OF POWER SUPPLY AND INTERFACE SIGNAL



Note 1 :  $\overline{\text{DOFF}}$  function takes priority even if the input signal status becomes irregular immediately after VDD power-on.

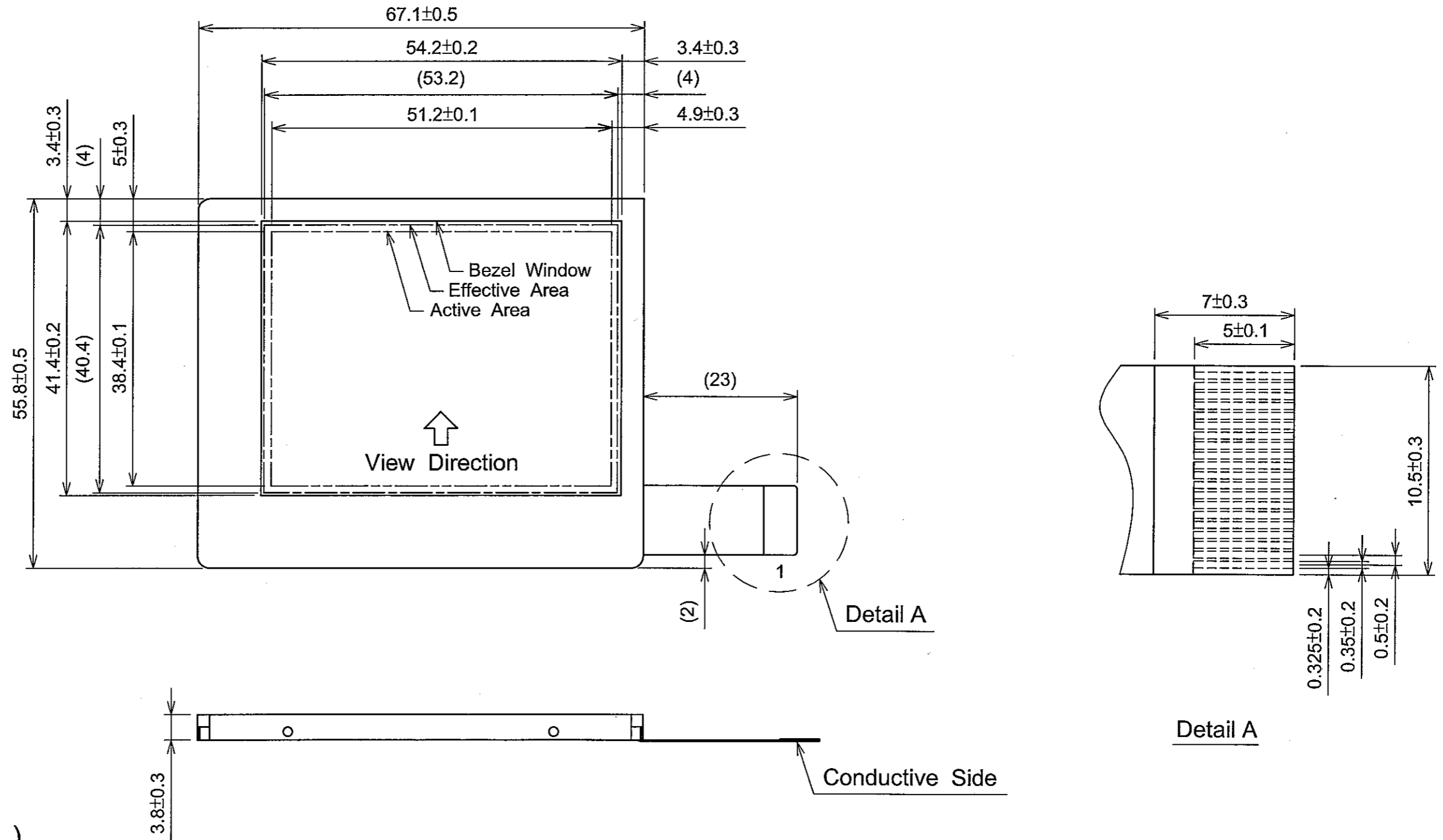
Note 2 : Please keep the specified sequence because wrong sequence may cause permanent damage to the LCM.

### 8.4 POWER SUPPLY FOR LCM



# 9. OUTLINE DIMENSIONS

## 9.1 OUTLINE DIMENSIONS

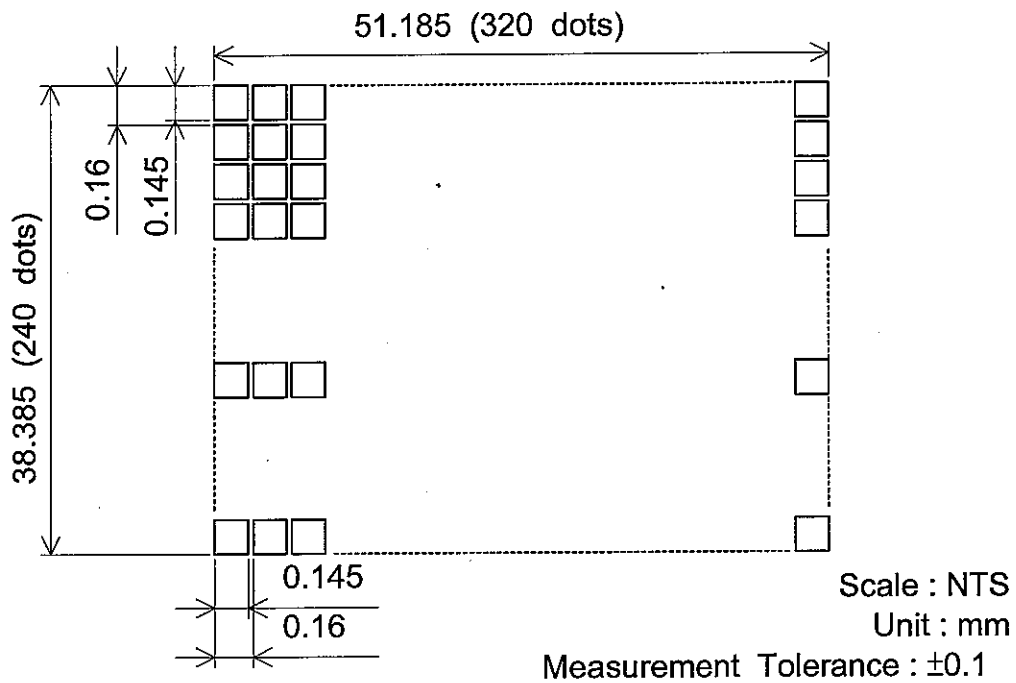


**Notes:**

1. Referance mark : ( )
2. Unit : mm
3. Scale : NTS
4. Measurement when adding  $9.8 \times 10^4$  Pa at the measuing point.

KAOHSIUNG HITACHI ELECTRONICS CO.,LTD.	DATE	May.07,'04	Sh. No.	7B63PS 2709-SP06Q002-T-2	PAGE	9-1/2
---	------	------------	------------	--------------------------	------	-------

## 9.2 DISPLAY PATTERN



## 9.3 INTERFACE PIN CONNECTION

### 9.3.1 CN1 : LCM I/F (0.5mm PITCH , 20PINS FPC)

PIN No.	SYMBOL	FUNCTION
1	VLED(-)	Power supply for LED backlight
2	VLED(+)	Power supply for LED backlight
3	D0	Input data signal
4	D1	Input data signal
5	D2	Input data signal
6	D3	Input data signal
7	VSH	Power supply for LCD (Seg driver)
8	VM	Power supply for LCD
9	VSS	Ground
10	CL2	Clock pulse for Seg shift
11	VSS	Ground
12	CL1	1) Latch pulse of display data 2) Shift clock for Com driver
13	DOFF	Hi : Display on ; Low : Display off
14	VDD	Power supply for logic
15	FLM	Frame start signal data signal of the shift register of the Com driver
16	VCH	Power supply for LCD (Com driver)
17	NC	GND
18	NC	GND
19	NC	GND
20	NC	GND

## 10. QUALITY STANDARD

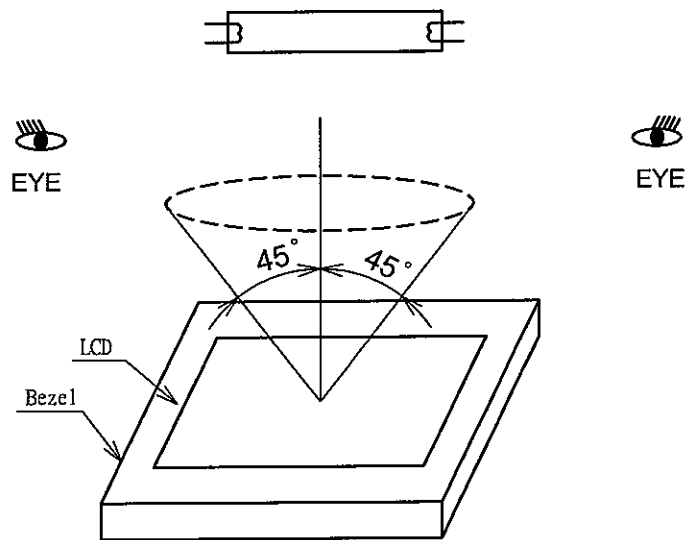
### 10.1 APPEARANCE INSPECTION CONDITIONS (IN THE VIEWING AREA)

Visual inspection under single 20W fluorescent lamp with eyes to LCD distance 25cm and lamp to LCD distance 25 to 30cm.

Viewing angle should be smaller than  $45^\circ$ .

The line of sight for inspection shall be inside the half section of a cone which consisted of line segment  $45^\circ$  to the axis with vertex at the center of LCD.

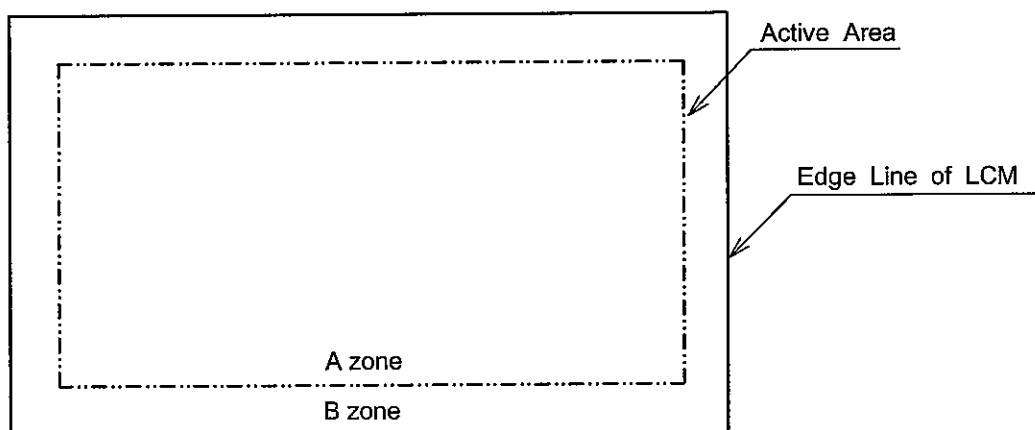
The cone axis perpendicular to the LCD and passing through the fluorescent lamp.



### 10.2 DEFINITION OF EACH ZONE

A zone : Within the active area specified at page 9-1/2 of this document.

B zone : Area between the edge line of LCM and the active area line specified at page 9-1/2 of this documet.



### 10.3 APPEARANCE SPECIFICATION

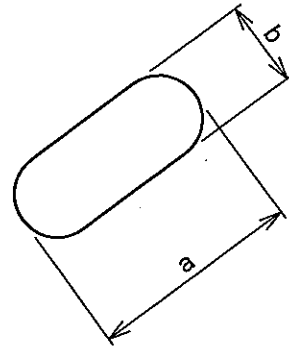
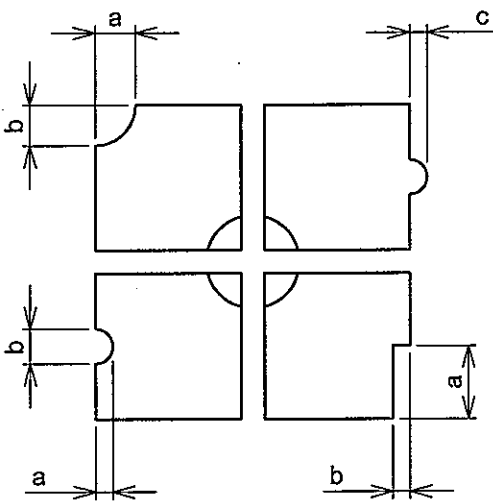
\*) If the problem occurs about this item, the responsible person of both party (customer and HITACHI) will discuss more detail.

No.	ITEM	CRITERIA				A	B
L C D	Scratches	Distinguished one is not acceptable (to be judge by HITACHI limit sample)				*	-
	Dent	Same as above				*	-
	Wrinkles in Polarizer	Same as above				*	-
	Bubbles	Average diameter D(mm)		Maximum number acceptable		○	-
		D ≤ 0.2		Ignore			
		0.2 < D ≤ 0.3		12			
		0.3 < D ≤ 0.5		3			
		0.5 < D		None			
	(Note 1)						
	Stains, Foreign Materials Dark Spot	Filamentous				○	*
		Length L(mm)	Width W(mm)	Maximum number acceptable			
		L ≤ 2.0	W ≤ 0.03	Ignore			
		L ≤ 3.0	0.03 < W ≤ 0.05	6			
		-	0.05 < W	None			
		Round				○	*
		Average diameter D(mm)	Maximum number acceptable	Minimum space			
		D ≤ 0.2	Ignore	-			
		0.2 < D ≤ 0.33	8	10 mm			
		0.33 < D	None	-			
		The whole number	Filamentous + Round = 10				
	(Note 1 2)	Those wiped out easily are acceptable				○	-
	Color Tone	To be judged by HITACHI limit sample				○	-
	Color Uniformity	Same as above				○	-
	Pinhole	Average diameter D(mm)		Maximum number acceptable		○	-
		D ≤ 0.15		Ignore			
		0.15 < D ≤ 0.3		10			
		0.3 < D		None			
(Note 1)							
Contrast Irregularity (Spot)	Average diameter D(mm)	Contrast	Maximum number acceptable	Minimum space	○	-	
	D ≤ 0.25	To be Judge by HITACHI standard	Ignore	-			
	0.25 < D ≤ 0.35		10	20mm			
	0.35 < D ≤ 0.5		4	20mm			
	0.5 < D		None	-			
(Note 1)							



No.	ITEM	CRITERIA				A	B
		Width W(mm)	Length L(mm)	Maximum acceptable number	Minimum space		
L C D	Contrast Irregularity (Line) (A Pair of Scratch)  (Note 2)	$W \leq 0.25$	$L \leq 1.2$	2	20mm	○	-
		$W \leq 0.2$	$L \leq 1.5$	3	20mm		
		$W \leq 0.15$	$L \leq 2.0$	3	20mm		
		$W \leq 0.1$	$L \leq 3.0$	4	20mm		
		The whole number $\leq 6$					
	Rubbing Scratch	To be judged by HITACHI limit sample				○	-

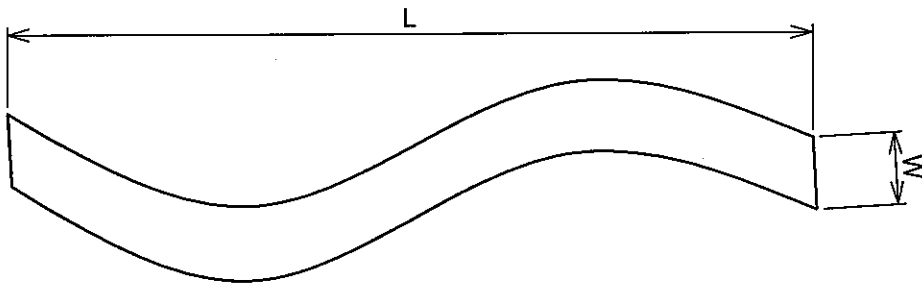
Note 1 :



$$\frac{a+b}{2} = D \dots \text{Average Diameter}$$

c...Salient

Note 2 : Definition of length L and width W



## 11. PRECAUTION IN DESIGN

### 11.1 LC DRIVING VOLTAGE AND VIEWING ANGLE RANGE.

Setting VCH out of the recommended condition will be a cause for a change of viewing angle range.

### 11.2 CAUTION AGAINST STATIC CHARGE

As this module is provided with C-MOS LSI, the care to take such a precaution as to grounding the operator's body is required when handling it.

### 11.3 POWER ON SEQUENCE

Input signals should not be applied to LCD module before power supply voltage is applied and reaches to specified voltage ( $3.3 \pm 10\%$ ). If above sequence is not kept, C-MOS LSI of LCD modules may be damaged due to latch up problem.

### 11.4 PACKING

- (1) No leaving products is preferable in the place of high humidity for a long period of time. For their storage in the place where temperature is  $35^\circ$  or higher, special care to prevent them from high humidity is required.  
A combination of high temperature and high humidity may cause them polarization degradation as well as bubble generation and polarizer peel-off. Please keep the temperature and humidity within the specified range for use and storage.
- (2) Since upper polarizers and lower aluminum to be easily damaged, they should be handled with full care so as not to get them touched, pushed or rubbed by a piece of glass, tweezers and anything else which are harder than a pencil lead 3H.
- (3) As the adhesives used for adhering upper/lower polyester and aluminum plates are made of organic substances which will deteriorated by a chemical reaction with such chemicals as acetone, Toulon, ethanol and isopropyl alcohol. The following solvents are recommended for use:  
normal hexane

Please contact us when it is necessary for you to use chemicals other than the above.

- (4) Lightly wipe to clean the dirty surface with absorbent cotton waste or other soft material like chamois, soaked in the chemicals recommended without scrubbing it hardly. To prevent the display surface from damage and keep the appearance in good state, it is sufficient, in general, to wipe it with absorbent cotton.
- (5) Immediately wipe off saliva or water drop attached on the display area because its long period adherence may cause deformation or faded color on the spot.
- (6) Foggy dew deposited on the surface and contact terminals due to coldness will be cause for polarizer damage, stain and dirt on product.  
When necessary to take out the products from some place at low temperature for test, etc. It is required for them to be warmed up in a container once at the temperature higher than that of room.
- (7) Touching the display area and contact terminals with bare hands and contaminating them are prohibited , because the stain on the display area and poor insulation between terminals are often caused by being touched by bare hands.  
( There are some cosmetics detrimental to polarizers. )
- (8) In general the quality of glass is fragile so that it tends to be cracked or chipped in handling, specially on its periphery. Because be careful not to give it sharp shock caused by dropping down, etc.

### 11.5 CAUTION FOR OPERATION

- (1) It is an indispensable condition to drive LCD within the specified voltage limit since the higher voltage than the limit causes the shorter LCD life. An electrochemical reaction due to direct current causes LCD's undesirable deterioration, so that the use of direct current driver should be avoided.
- (2) Response time will be extremely delayed at lower temperature than the specified operating temperature range and on the other hand LCD's show dark blue Color in then however those phenomena do not mean Malfunction or out of order with LCD's which will come back in the specified operation temperature range.
- (3) If the display area is pushed hard during operation, some font will be abnormally displayed but it resumes normal condition after turning off once.
- (4) A slight dew depositing on terminals is a cause for electrochemical reaction resulting in terminal open circuit.  
Please operate the LCD module under the relative condition of 40°C 85%RH.

### 11.6 STORAGE

In case of storing for a long period of time (for instance ,for years) for the purpose of replacement use, the following ways are recommended.

- (1) Storage in a polyethylene bag with the opening sealed so as not to enter fresh air outside in it, and with no desiccant.
- (2) Placing in a dark place where neither exposure to direct sunlight nor light is, keeping temperature in the range from -30°C to 80°C
- (3) Storing with no touch on polarizer surface by anything else.  
(It is recommended to store them as they have been contained in the inner container at the time of delivery from us.)

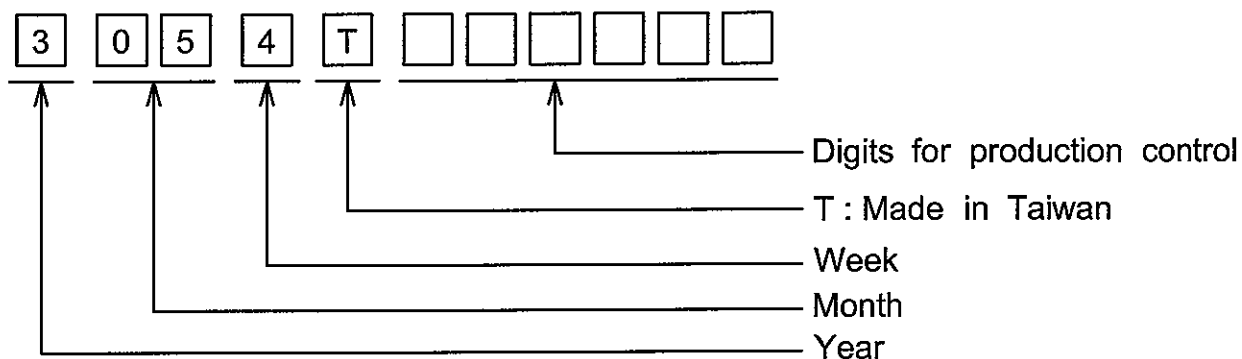
### 11.7 SAFETY

- (1) It is recommendable to crash damaged or unnecessary LCD's into pieces and wash off liquid crystal by either of solvents such as acetone and ethanol, which should be burned up later.
- (2) When any liquid leaked out of a damage glass cell comes in contact with your hands, please wash it off well with soap and water.

## 12. DESIGNATION OF LOT MARK

### 12.1 LOT MARK

Lot mark is consisted of 4 digits for production lot and 6 digits for production control.



YEAR	FIGURE IN LOT MARK
2003	3
2004	4
2005	5
2006	6
2007	7

MONTH	FIGURE IN LOT MARK	MONTH	FIGURE IN LOT MARK
Jan.	01	Jul.	07
Feb.	02	Aug.	08
Mar.	03	Sep.	09
Apr.	04	Oct.	10
May	05	Nov.	11
Jun.	06	Dec.	12

WEEK (DAY IN CALENDAR)	FIGURE IN LOT MARK
1~7	1
8~14	2
15~21	3
22~28	4
29~31	5

### 12.2 REVISION

REV No.	ITEM	LOT No.	PRODUCTION CONTROL No.
A			000001~

### 12.3 LOCATION OF LOT MARK

On the back side of LCM.

### 13. PRECAUTION FOR USE

(1) A limit sample should be provided by the both parties on an occasion when the both parties agreed its necessity. Judgement by a limit sample shall take effect after the limit sample has been established and confirmed by the both parties.

(2) On the following occasions, the handling of the problem should be decided through discussion and agreement between responsible persons of the both parties.

(1) When a question is arisen in the specifications.

(2) When a new problem is arisen which is not specified in this specifications.

(3) When an inspection specifications change or operating condition change in customer is reported to HITACHI, and some problem is arisen in this specification due to the change.

(4) When a new problem is arisen at the customer's operating set for sample evaluation in the customer site.

The precaution that should be observed when handling LCM have been explained above. If any points are unclear or if you have any requests , please contact HITACHI.

This datasheet has been downloaded from:

[www.DatasheetCatalog.com](http://www.DatasheetCatalog.com)

Datasheets for electronic components.