

INTEGRATED CONNECTOR MODULES

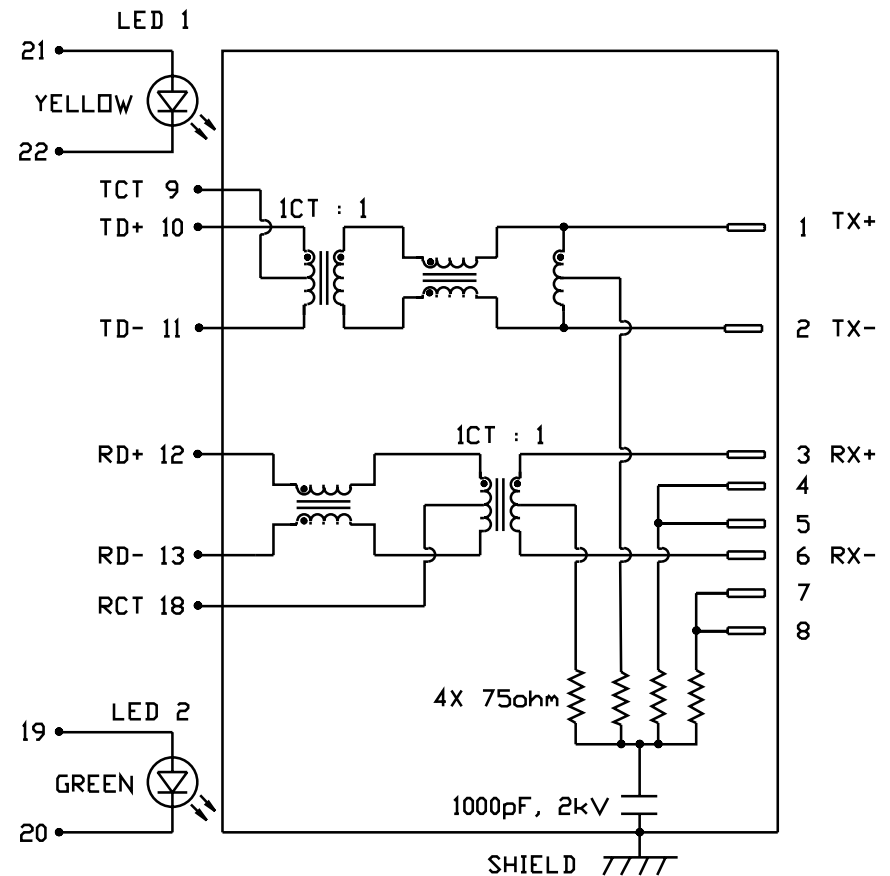
0892-1DX1-60 10/100Base-TX Single Port MagJack® with LEDs

| LED1 POLARITY | | | LED2 POLARITY | | |
|---------------|--------|--------|---------------|--------|-------|
| PIN 21 | PIN 22 | COLOR | PIN 19 | PIN 20 | COLOR |
| + | - | YELLOW | + | - | GREEN |

ELECTRICAL CHARACTERISTICS @ 25°C

| | |
|---|---|
| URNS RATIO TX RX | ICT : 1 ICT : 1 |
| DCL @ 100kHz/100mVRMS 8mA DC BIAS | 350µH MIN. |
| INS. LOSS 1MHz TO 100MHz | -1.0 dB MAX |
| RET. LOSS (MIN) 1MHz-30MHz 30MHz-60MHz 60MHz-80MHz | -18 dB -18+20LOG(F/30MHz) dB -12 dB |
| CROSS TALK (TX - RX) 100kHz-100MHz | -35 dB MIN |
| CM TO CM REJ 100kHz-100MHz | -30 dB MIN |
| CM TO DM REJ 100kHz-100MHz | -35 dB MIN |
| HIPOT (Isolation Voltage): | 1500 Vrms |
| LED 1 VF (FORWARD VOLTAGE) λD (DOMINANT WAVELENGTH) | IF=20mA YELLOW 2.1V TYP. IF=20mA YELLOW 590nm TYP. |
| LED 2 VF (FORWARD VOLTAGE) λD (DOMINANT WAVELENGTH) | IF=20mA GREEN 2.2V TYP. IF=20mA GREEN 565nm TYP. |
| USB ELECTRICAL: INSULATION RESISTANCE: CONTACT RESISTANCE: DIELECTRIC WITHSTANDING: | 1000 MEG Ω (MIN) 25 MILLI Ω (MAX) 750 VAC |

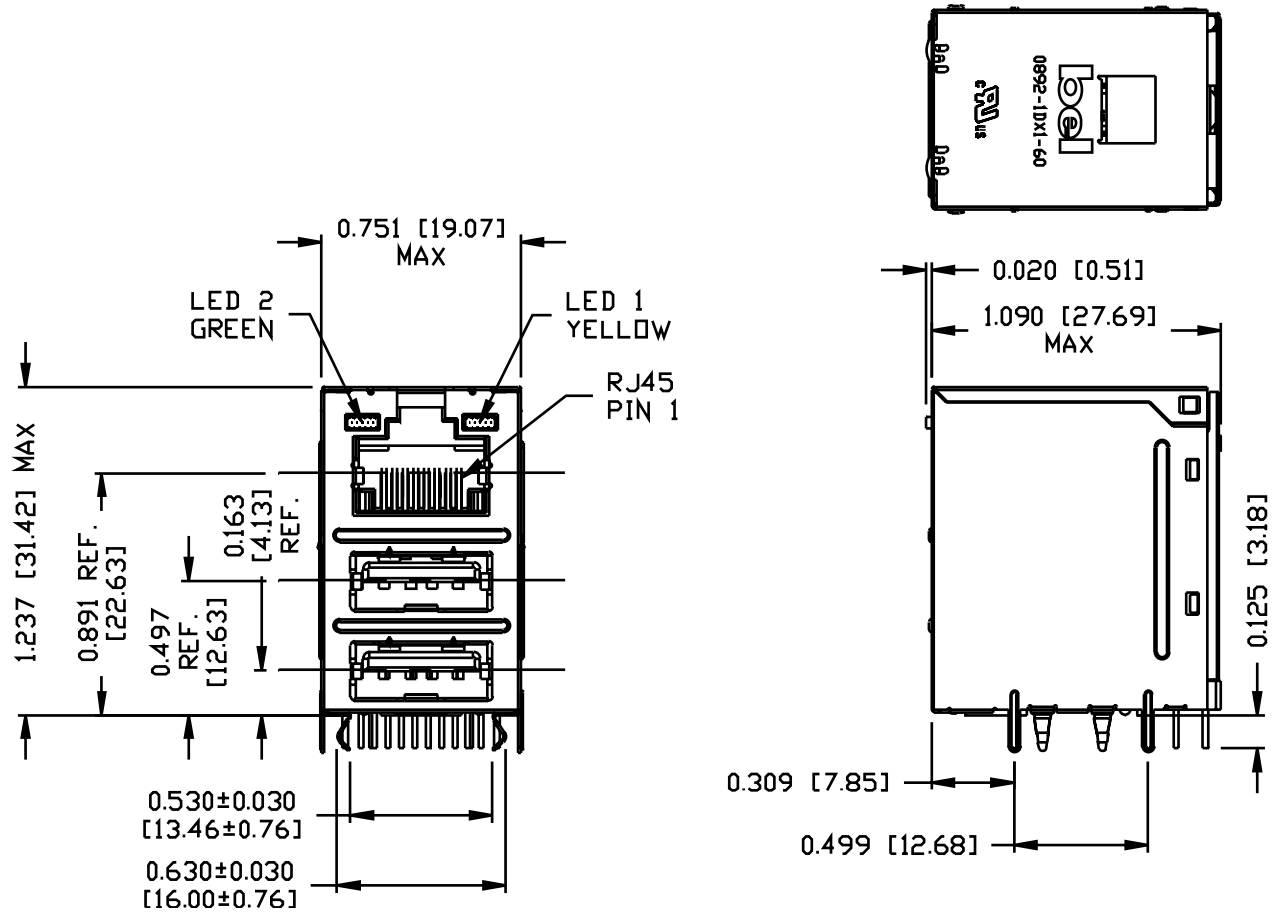
SCHEMATIC



INTEGRATED CONNECTOR MODULES

0892-1DX1-60 10/100Base-TX Single Port MagJack® with LEDs

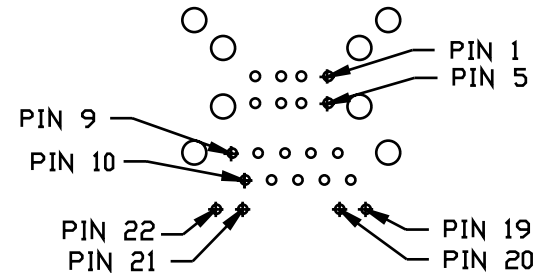
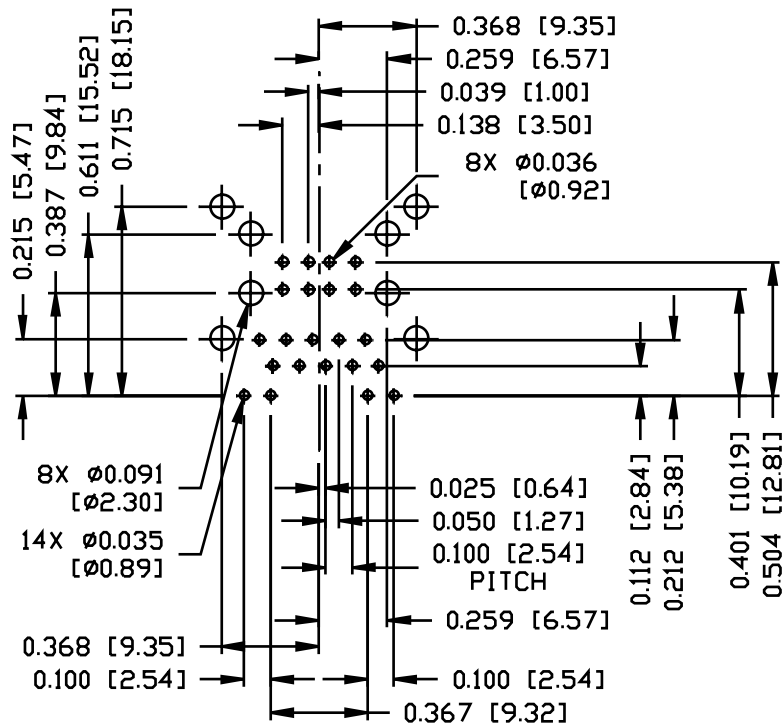
MECHANICAL SPECIFICATION



INTEGRATED CONNECTOR MODULES

0892-1DX1-60 10/100Base-TX Single Port MagJack® with LEDs

Recommended PCB footprint
Component Side



RJ45 MECHANICAL:

PLASTIC HOUSING:

CONTACTS PLATING:

PINS:

SOLDERABILITY:

METAL SHIELD:

THERMOPLASTIC PBT
 FLAMMABILITY RATING UL 94V-0
 30 MICRO-INCH HARD GOLD PLATING
 TIN-COATED COPPER WIRE, DIA 0.018 INCH.
 PER MIL STD. 202, METHOD 208.
 TIN/LEAD PLATED ON COPPER ALLOY,

USB MECHANICAL:

MATING FORCE:

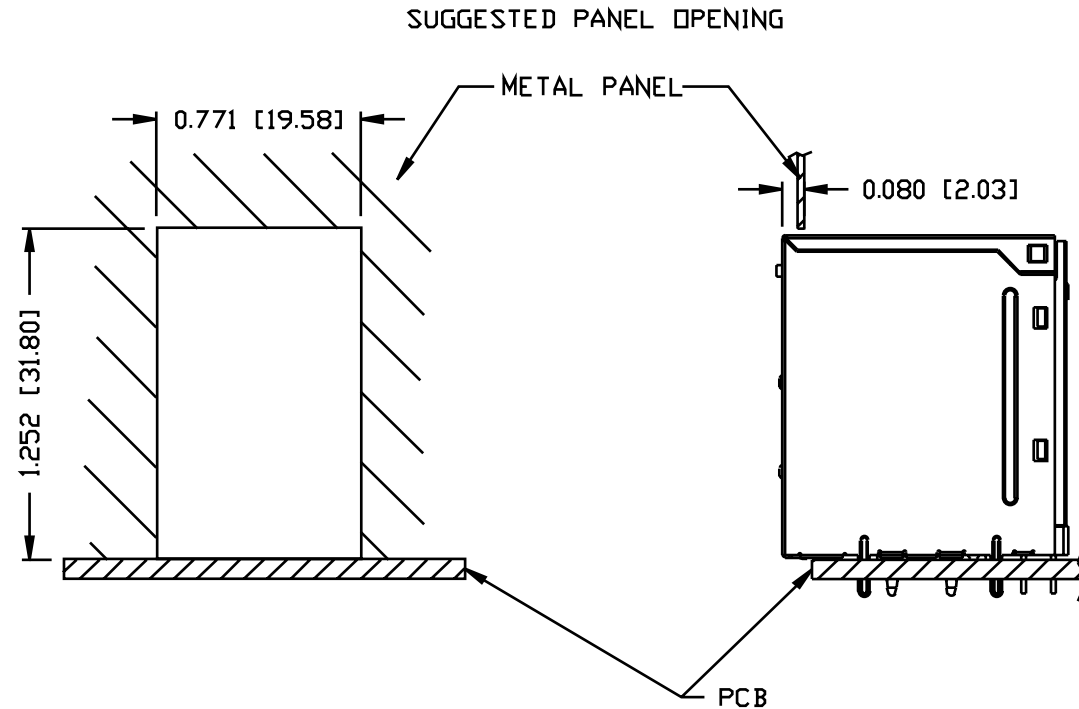
UNMATING FORCE:

CONTACTS PLATING:

35 NEWTONS MAXIMUM
 10 NEWTONS MINIMUM
 PROSPER BRONZE, GOLD PLATING ON
 CONTACT AREA AND TIN ON SOLDER TAIL.

UL RECOGNIZED - FILE #E196366 AND E169987.

INTEGRATED CONNECTOR MODULES
0892-1DX1-60 10/100Base-TX Single Port MagJack® with LEDs



NOTE:

THE DISTANCE OF PANEL INSIDE SURFACE RELATIVE TO FRONT SURFACE OF PART IS ONLY A SUGGESTION. IN CASE THIS DISTANCE IS DIFFERENT, THE REQUIRED PANEL OPENING DIMENSIONS CHANGE ACCORDINGLY.

PACKING INFORMATION

PACKING TRAY : 0200-0148-41 (BOTTOM)
 0200-0148-42 (TOP)

PACKING QUANTITY : 35 PCS FINISHED GOODS PER TRAY
 10 TRAY (350 PCS FINISHED GOODS) PER CARTON BOX

NOTE : CARDBOARDS ARE PLACED BETWEEN LAYERS OF PACKING TRAY INSIDE CARTON BOX
 (INCLUDE THE UPPERMOST AND LOWERMOST TRAY)