

INTEGRATED CONNECTOR MODULES

0811-1X1T-06 10/100Base-TX Single Port MagJack®

ELECTRICAL CHARACTERISTICS @ 25°C

TURNS RATIO

TX 1CT : 1
RX 1CT : 1

□CL @ 100kHz/100mVRMS

8mA DC BIAS 350μH MIN.

INS. LOSS

1MHz TO 100MHz -1.0 dB MAX

RET. LOSS (MIN)

1MHz-30MHz -18 dB
30MHz-60MHz $-18+20\log(F/30\text{MHz})$ dB
60MHz-80MHz -12 dB

CROSS TALK (TX - RX)

500kHz - 100 MHz -35 dB MIN

CM TO CM REJ

100kHz - 100 MHz -30 dB MIN

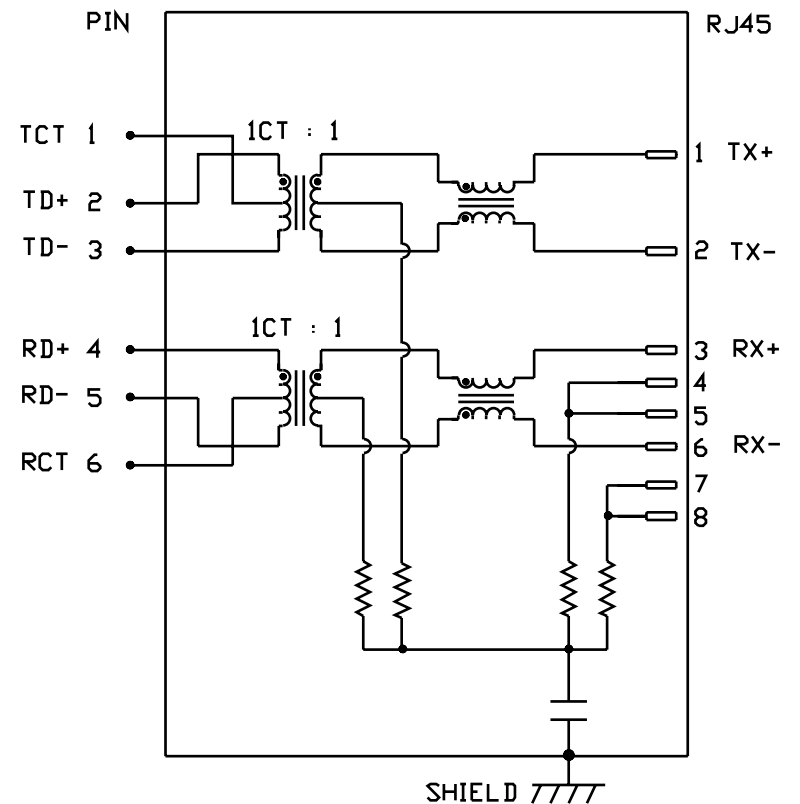
CM TO DM REJ

100kHz - 100 MHz -35 dB MIN

HIPOT (Isolation Voltage):

1500 Vrms

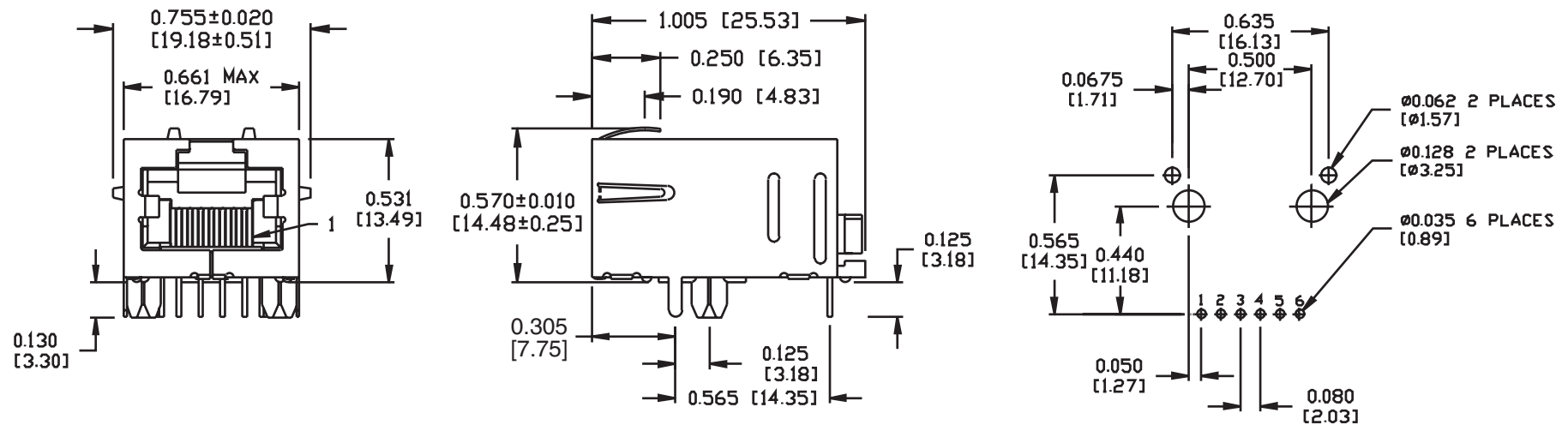
SCHEMATIC



INTEGRATED CONNECTOR MODULES

0811-1X1T-06 10/100Base-TX Single Port MagJack®

MECHANICAL SPECIFICATION



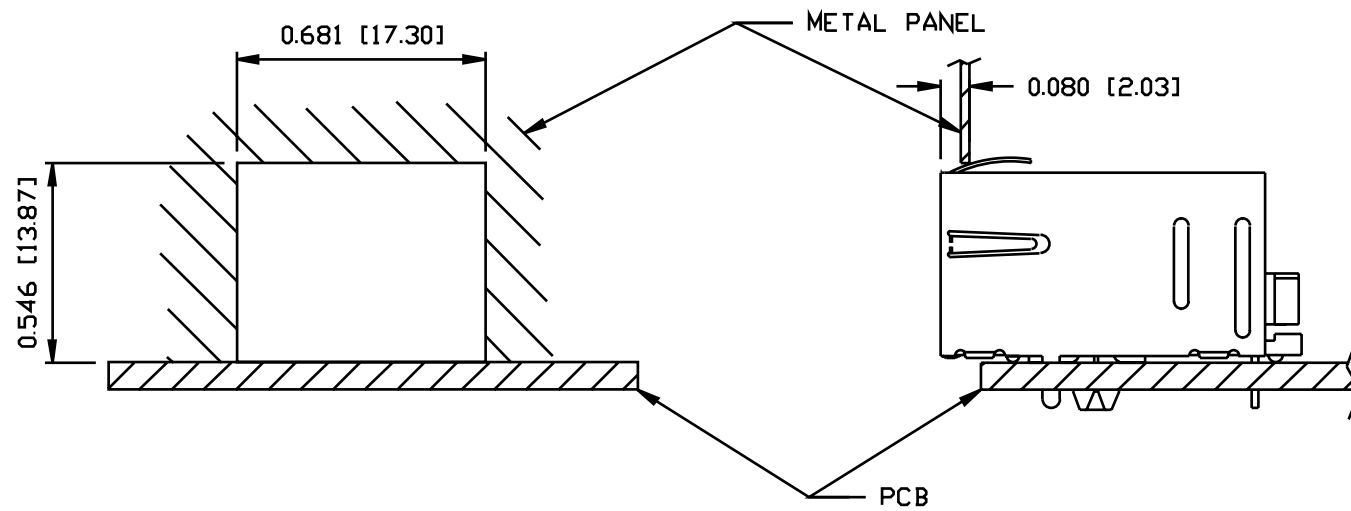
NOTES:

- PLASTIC HOUSING: THERMOPLASTIC PBT
FLAMMABILITY RATING UL 94V-0
- CONTACTS PLATING: 50 MICRO-INCH HARD GOLD PLATING
- PINS: TIN-COATED COPPER WIRE, DIA 0.018 INCH.
- SOLDERABILITY: PER MIL STD. 202, METHOD 208.
- METAL SHIELD: TIN/LEAD PLATED ON COPPER ALLOY.

INTEGRATED CONNECTOR MODULES

0811-1X1T-06 10/100Base-TX Single Port MagJack®

SUGGESTED PANEL OPENING



PACKING INFORMATION

PACKING TRAY : 0200-0148-12

PACKING QUANTITY : 60 PCS FINISHED GOOD PER TRAY

10 TRAY (600 PCS FINISHED GOOD) PER CARTON BOX

NOTE : CARDBOARDS ARE PLACED BETWEEN LAYERS OF PACKING TRAY INSIDE CARTON BOX
(INCLUDE THE UPPERMOST AND LOWERMOST TRAY)