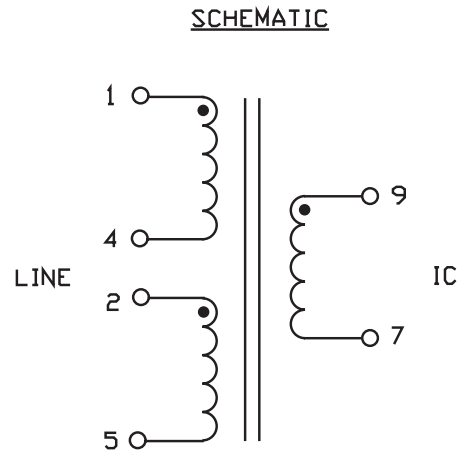


# SHDSL MAGNETICS

0560-6600-JD

## ELECTRICAL CHARACTERISTICS (@25°C)



NOMINAL TURNS RATIO: (1-5) : (9-7) CONNECT TERMINAL 2 TO 4	4.5 : 1
DC RESISTANCE: (9-7) (1-4) (2-5)	0.60 Ω MAX 1.60 Ω MAX 1.60 Ω MAX
INDUCTANCE @ 10 kHz, 0.1 Vrms: (1-5) CONNECT TERMINAL 2 TO 4	3 mH ± 6%
LEAKAGE INDUCTANCE: (1-5) CONNECT TERMINAL 2 TO 4 & 9 TO 7	25 μH MAX
INTERWINDING CAPACITANCE: BETWEEN 1 & 9 CONNECT TERMINAL 2 TO 4	100 pF MAX
HARMONIC DISTORTION (3kHz, 1Vrms, 35 mA DC):	-78 dB MAX
MINIMUM DIELECTRIC RATING: BETWEEN (1-5) & (9-7) CONNECT TERMINAL 2 TO 4	2000 Vrms
OPERATING TEMPERATURE RANGE:	-40°C TO +85°C
DESIGNED TO COMPLY WITH THE REQUIREMENTS FOR SUPPLEMENTARY INSULATION AT A WORKING VOLTAGE OF 250V	

## SHDSL MAGNETICS

0560-6600-JD

