

DATE: 2001. 12. 27

SPECIFICATION

PRODUCT : REMOCON MODULE

MODEL : 354HF7

OPTO ELECTRONICS CO., LTD.

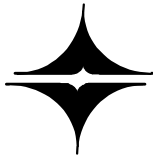
1066-12 YOUNJANG-RI, JINAN-UP, JINAN-GUN

JEON-BUK, KOREA.

TEL : 82-63-433-4566~8

FAX : 82-63-433-4569

<http://www.e-oec.com>





ELECTRONICS CO., LTD.

T I T L E
REMOCON PREAMP
354HF7

| | |
|-----------------|---------------|
| Document Number | OQSS-R-092 |
| Revision Number | IR |
| Revision Date | 2001. 12. 27. |
| P A G E | 1 / 6 |

1. GENERAL DESCRIPTION

The 354HF7 is miniaturized receiver for infrared remote control systems.

PIN photo diode and preamplifier are assembled on lead frame, the epoxy package is designed as IR filter.

2. Application

AV equipment such as TV sets, VCRs and audio equipment.
HA equipment such as air conditioners and electric fans.

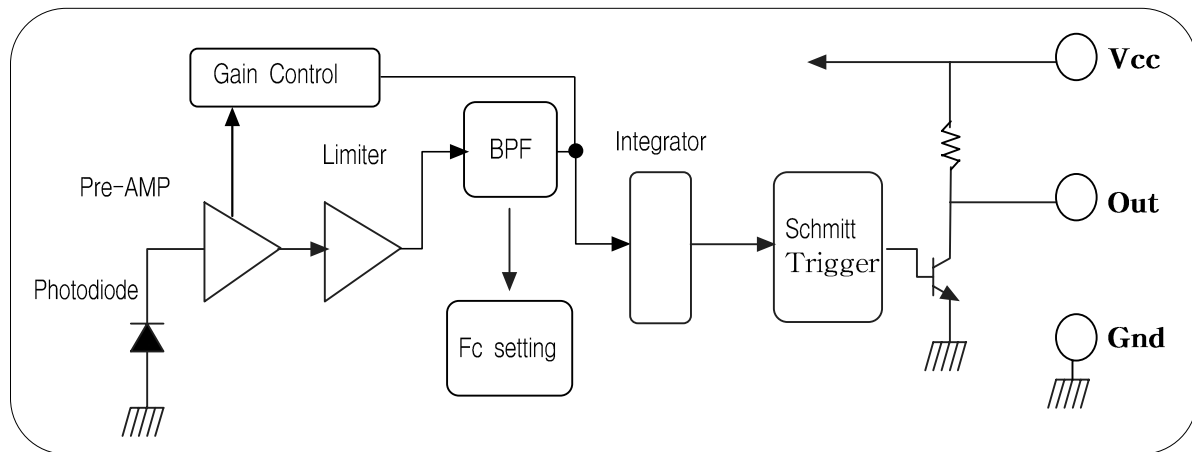
3. Outline

Refer to the attached drawing 354HF7

4. Features

- * Photo detector and preamplifier in one package
- * Enhanced immunity against all kinds of disturbance light
- * High performance photo diode and built-in excursive I · C
- * High speed response and output
- * Low consumption of electric power and easy use

5. Block Diagram



NOTE



ELECTRONICS CO., LTD.

T I T L E
REMOCON PREAMP
354HF7

| | |
|-----------------|---------------|
| Document Number | OQSS-R-092 |
| Revision Number | IR |
| Revision Date | 2001. 12. 27. |
| P A G E | 2 / 6 |

6. Ratings and Characteristics

6-1. Absolute maximum ratings

(Ta=25°C)

| Characteristics | Symbol | Value | Unit |
|-----------------------|--------|-------------|------|
| Power supply voltage | Vcc | 6.0 | V |
| Operating temperature | Topr | -10 to +60 | °C |
| Storage temperature | Tstg | -20 to +75 | °C |
| Soldering temperature | Tsol | 260 , 5 sec | °C |

6-2. Electro-optical characteristics

* All values are at 25°C

(Ta=25°C)

| Characteristic | Symbol | Condition | Min | Typ | Max | Unit | |
|------------------------|------------|-----------|------|-----|-----|------|---|
| Supply voltage | Vcc | | 4.5 | 5.0 | 5.5 | V | |
| Current consumption | Icc | *1 | 0.3 | - | 2.0 | mA | |
| Resonance frequency | Fo | | - | 38 | - | KHz | |
| Peak wave length | λp | | - | 980 | - | nm | |
| H level output voltage | Voh | *2 | 4.5 | 5.0 | - | V | |
| L level output voltage | Vol | *2 | - | 0.2 | 0.4 | V | |
| H level pulse width | Twh | *2 | 500 | - | 700 | us | |
| L level pulse width | Twl | | 500 | - | 700 | us | |
| Arrival distance | L | *2,3,4 | ±0 ° | - | 20 | - | m |
| | | | ±30° | - | 15 | - | |
| | | | ±45° | - | 10 | - | |
| Output form | Active low | | | | | | |

◆ 1. No input signal, Vin=0V

◆ 2. The specifications 6-2 shall be satisfied under the following conditions

2-1. The burst wave forms shown bellow in the Fig 1 shall be transmitted by the standard transmitter.

The standard transmitter shall be specified of the burst wave form in the Fig 1 adjusted to Vout 200mVp-p upon Po measuring circuit Fig 2.

NOTE



ELECTRONICS CO., LTD.

T I T L E
REMOCON PREAMP
 354HF7

| | |
|-----------------|---------------|
| Document Number | OQSS-R-092 |
| Revision Number | IR |
| Revision Date | 2001. 12. 27. |
| P A G E | 3 / 6 |

Fig 1. Output Waveform

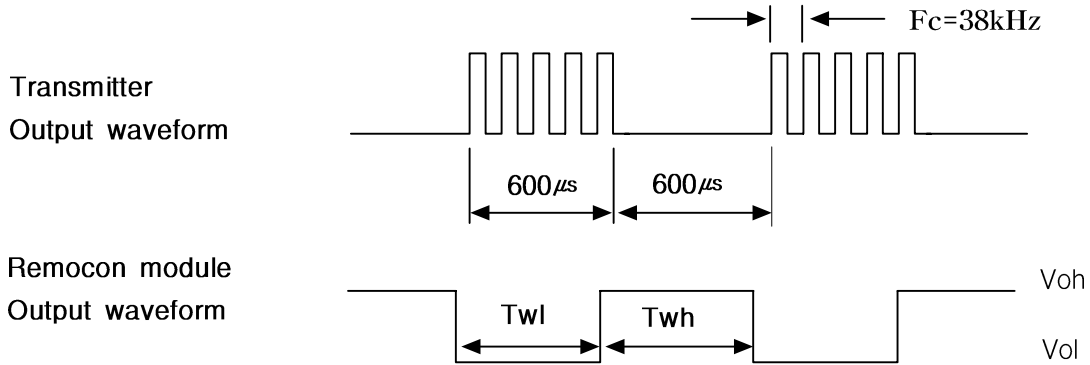
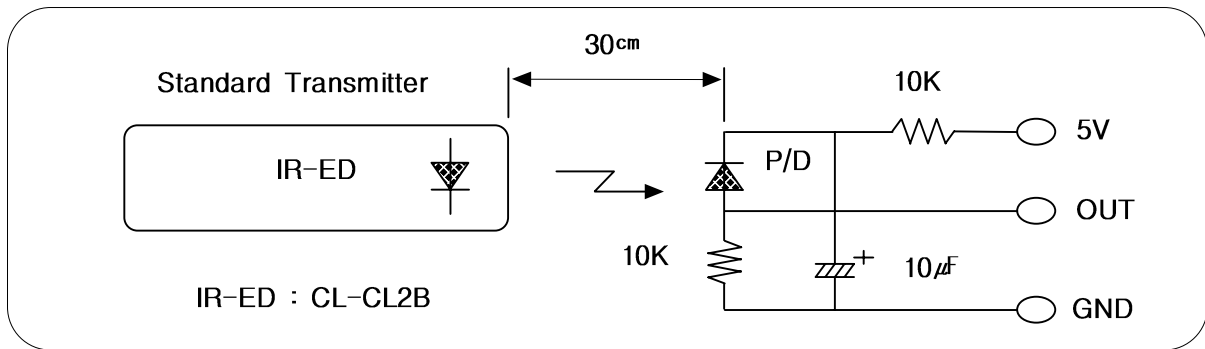
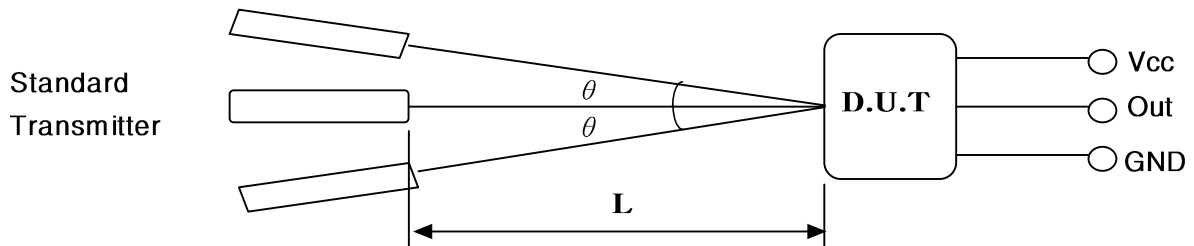


Fig 2. Po Measuring circuit



◆ 3. Arrival distance test condition



Where θ : Horizontal and vertical directions

D.U.T : Device under test

◆ 4. The arrival distance is measured in the darkness without disturbing noises.

NOTE



ELECTRONICS CO., LTD.

T I T L E
 REMOCON PREAMP
 354HF7

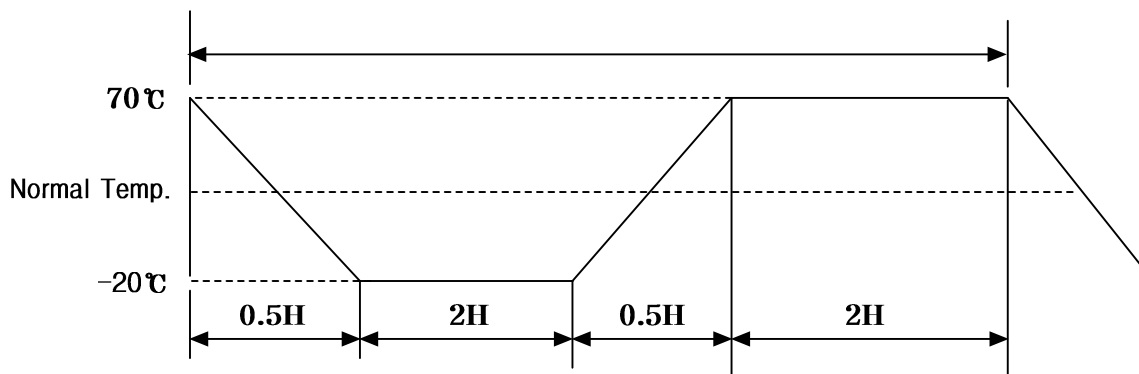
| | |
|-----------------|---------------|
| Document Number | OQSS-R-092 |
| Revision Number | IR |
| Revision Date | 2001. 12. 27. |
| P A G E | 4 / 6 |

7. Reliability

| Test items | Test conditions | Remarks |
|----------------------|---------------------|---------|
| High temp high humid | Ta=40°C 90%RH t=96H | * 1, 2 |
| Heat cycle | * 2, 3 | |
| Fall test | * 4 | |

- * 1. Supply voltage 5V in the load test.
- * 2. Electro-optical chara. (6-2) shall satisfy the figure they be left 2H at normal condition.
- * 3. Heat cycle test as below Fig 3 for 20 cycles under no load.

Fig 3. heat cycle



- ◆ 4. Fall test
 The test devices to fall three time onto hard wooden board from a level 75Cm

NOTE



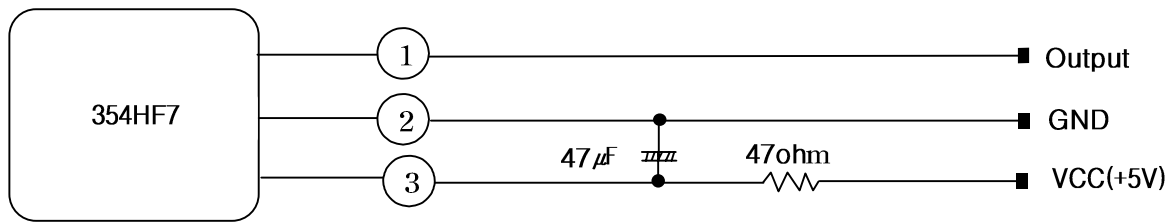
ELECTRONICS CO., LTD.

T I T L E
REMOCON PREAMP
354HF7

| | |
|-----------------|---------------|
| Document Number | OQSS-R-092 |
| Revision Number | IR |
| Revision Date | 2001. 12. 27. |
| P A G E | 5 / 6 |

8. The Others

In case of noisy power supply, please serially insert about 47ohm resistance and about 47uF Electrolytic capacitance in Vcc line as follows.



9. Precaution in handling

When soldering leave 2mm of minimum clearance between the resin and the soldering point.

NOTE

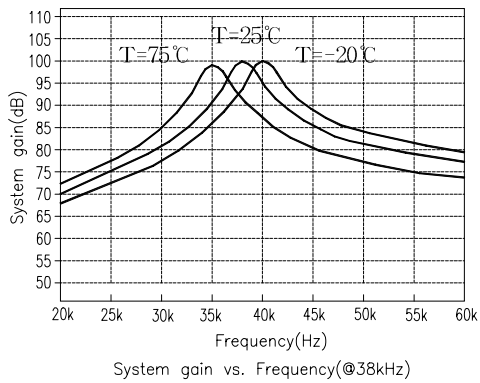
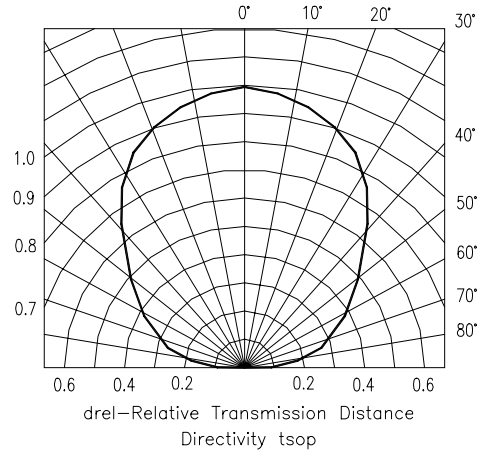
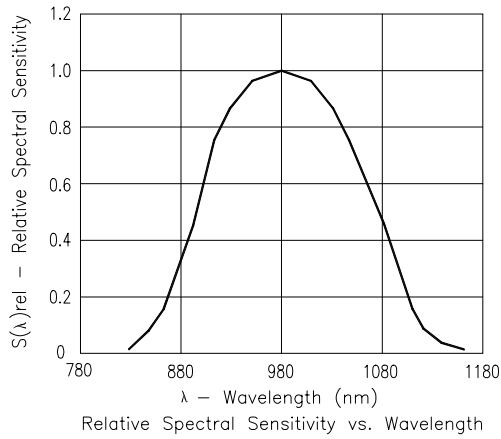


ELECTRONICS CO., LTD.

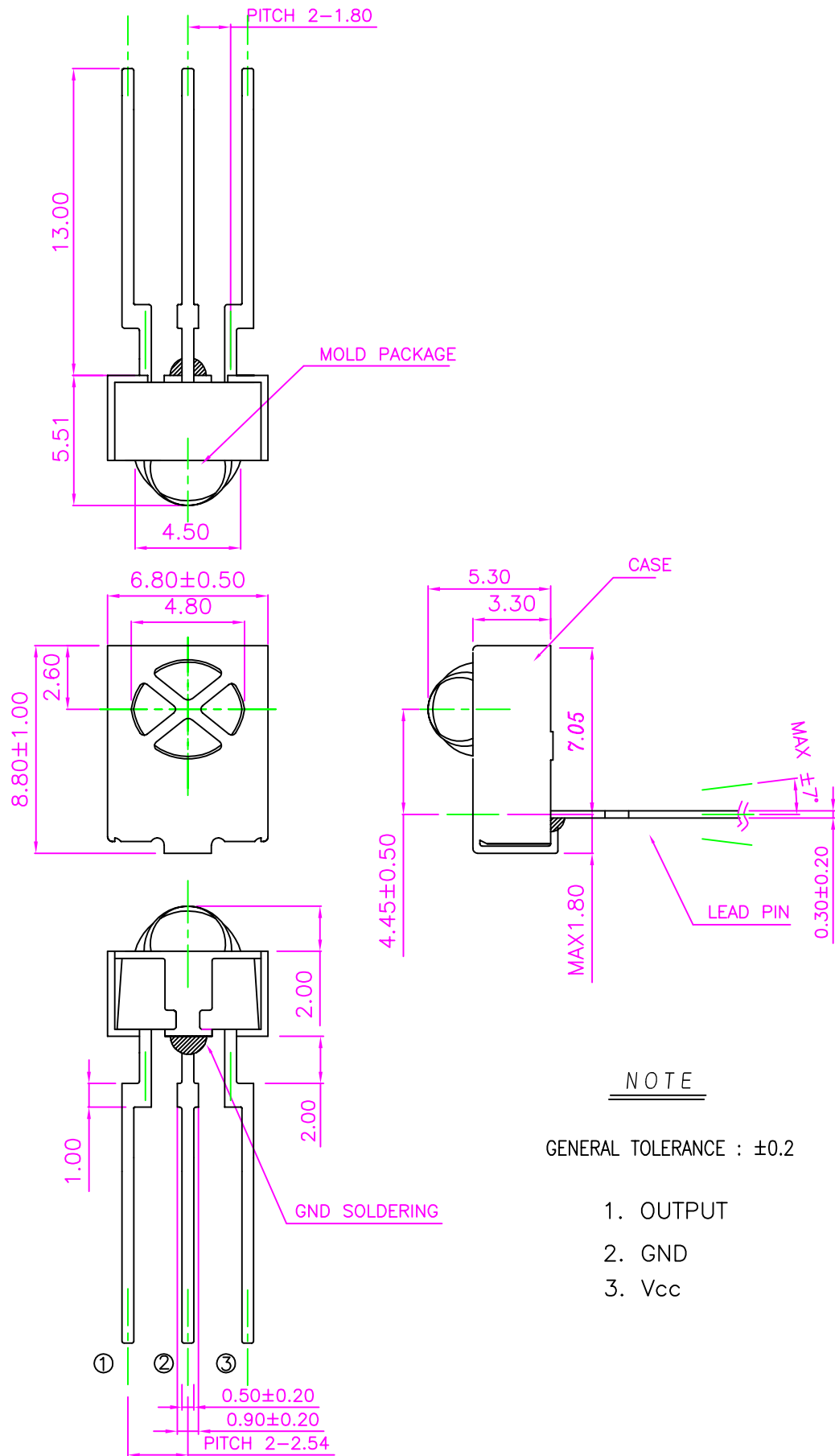
T I T L E
REMOCON PREAMP
354HF7

| | |
|-----------------|---------------|
| Document Number | OQSS-R-092 |
| Revision Number | IR |
| Revision Date | 2001. 12. 27. |
| P A G E | 6 / 6 |

■ Typical Characteristics (Tamb = 25°C unless otherwise specified)



NOTE



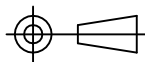
NOTE

GENERAL TOLERANCE : ±0.2

1. OUTPUT
2. GND
3. Vcc

| | |
|----------|------------|
| DATE | 2001.12.27 |
| UNIT | mm |
| SCALE | 4/1 |
| MATERIAL | |

| | |
|---|-------|
| UNLESS OTHERWISE SPECIFIED DIMENSIONS ARE IN MILLIMETERS AND TOLERANCES ARE AS FOLLOWS: | |
| 0 - 6 | ±0.1 |
| 6 - 15 | ±0.15 |
| 15 - 60 | ±0.2 |
| 60 - 200 | ±0.3 |
| 200 - ∞ | ±0.5 |



ANGULAR TOLERANCE ±0.5°

TITLE

354HF7