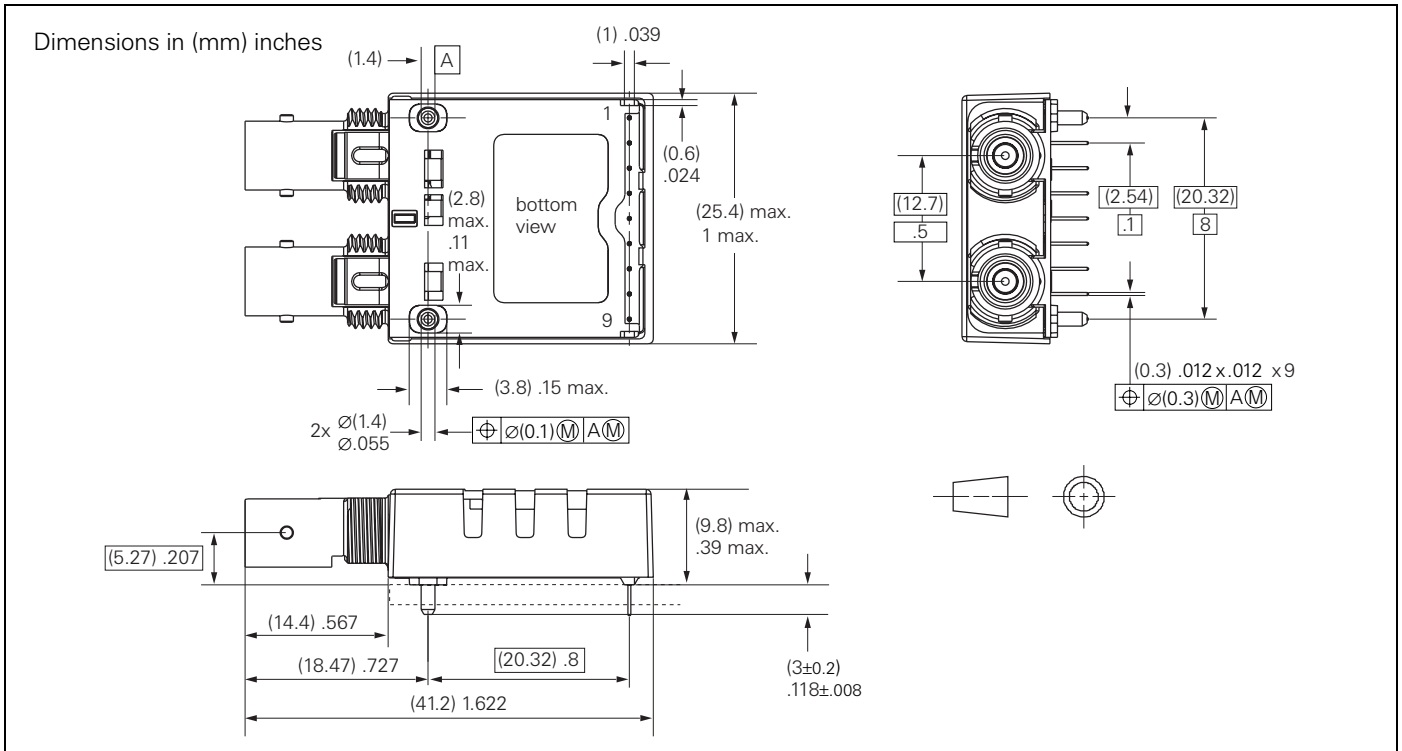




# V23809-F7-T10

## Multimode 1300 nm LED Fibre Channel 266 MBd 1x9 Transceiver with ST<sup>®</sup> Connector



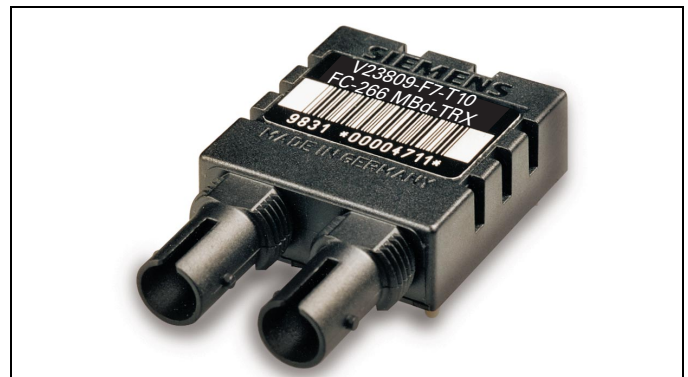
### FEATURES

- Compliant with Fibre Channel standard
- Meets mezzanine standard height of 9.8 mm
- Compact integrated transceiver unit with duplex ST<sup>®</sup> receptacle
- Single power supply with 3.0 V to 5.5 V range
- Extremely low power consumption < 0.7 W at 3.3 V
- PECL differential inputs and outputs
- System is optimized for 62.5/50  $\mu\text{m}$  graded index fiber
- Industry standard multisource footprint
- Very low profile for high slot density
- Testboard available
- UL-94 V-0 certified

### APPLICATIONS

- FC fabric point-to-point links
- HIPPI, SCSI, IPI
- High speed computer links
- Local area networks
- High definition digital television
- Switching systems

ST<sup>®</sup> is a registered trademark of AT&T



### Absolute Maximum Ratings

Exceeding any one of these values may destroy the device immediately.

Supply Voltage ( $V_{CC}-V_{EE}$ ).....	-0.5 to 7 V
Data Input Levels (PECL) ( $V_{IN}$ ) .....	$V_{EE}$ to $V_{CC}$
Differential Data Input Voltage ( $\Delta V_{IN}$ ).....	3 V
Operating Ambient Temperature ( $T_{AMB}$ ).....	0°C to 85°C
Storage Ambient Temperature ( $T_{STG}$ ).....	-40°C to 85°C
Humidity/Temperature Test Condition ( $R_H$ ).....	85%/85°C
Soldering Conditions, Temp/Time ( $T_{SOLD}/t_{SOLD}$ ) (MIL-STD 883C, Method 2003) .....	270°C/10s
ESD Resistance (all pins to $V_{EE}$ , human body) .....	1.5 kV
Output Current ( $I_O$ ) .....	50 mA

## DESCRIPTION

This data sheet describes the Infineon Fibre Channel transceiver, which belongs to the Infineon Multistandard Transceiver Family. It is fully compliant with the Fibre Channel FC-133 MBaud and FC-266 MBaud standard.

Fibre Channel provides a general transport for upper layer protocols such as Intelligent Peripheral Interface (IPI), High Performance Parallel Interface (HIPPI) and Small Computer System Interface (SCSI) command sets. Defined transmission rates are 266 MBaud and 133 MBaud in point-to-point or fabric topology.

The Infineon low cost multistandard transceiver is a single unit comprised of a transmitter, a receiver, and an ST receptacle. This design frees the customer from many alignment and PC board layout concerns. The modules are designed for low cost applications.

The inputs/outputs are PECL compatible, and the unit operates from a 3.0 V to 5.5 V power supply. As an option, the data output stages can be switched to static levels during absence of light as indicated by the Signal Detect function. It can be directly interfaced with available chipsets.

## Regulatory Compliance

Feature	Standard	Comments
Electromagnetic Interference (EMI)	FCC Class B EN 55022 Class B CISPR 22	Noise frequency range: 30 MHz to 1 GHz
Immunity: Electrostatic Discharge	EN 61000-4-2 IEC 1000-4-2	Discharges of $\pm 15$ kV with an air discharge probe on the receptacle cause no damage.
Immunity: Radio Frequency Electromagnetic Field	EN 61000-4-3 IEC 1000-4-3	With a field strength of 10 V/m rms, noise frequency ranges from 10 MHz to 1 GHz
Eye Safety	IEC 825-1	Class 1

## TECHNICAL DATA

The electro-optical characteristics described in the following tables are valid only for use under the recommended operating conditions.

### Recommended Operating Conditions

Parameter	Symbol	Min.	Typ.	Max.	Units
Ambient Temperature	$T_{AMB}$	0		70	$^{\circ}\text{C}$
Power Supply Voltage	$V_{CC}-V_{EE}$	3		5.5	V
Supply Current 3.3 V	$I_{CC}$			230	mA
Supply Current 5 V <sup>(1)</sup>				260	
<b>Transmitter</b>					
Data Input High Voltage	$V_{IH}-V_{CC}$	-1165		-880	mV
Data Input Low Voltage	$V_{IL}-V_{CC}$	-1810		-1475	
Threshold Voltage	$V_{BB}-V_{CC}$	-1380		-1260	
Input Data Rise/Fall Time, 20%–80%	$t_R, t_F$	0.4		1.3	ns
Data High Time <sup>(2)</sup>	$t_{ON}$			1000	
<b>Receiver</b>					
Output Current	$I_O$			25	mA
Input Duty Cycle Distortion	$t_{DCD}$			1	
Input Data Dependent Jitter	$t_{DDJ}$			1	
Input Random Jitter	$t_{RJ}$			0.76	
Input Center Wavelength	$\lambda_C$	1260		1380	nm
Electrical Output Load <sup>(3)</sup>	$R_L$		50		$\Omega$

### Notes

- For  $V_{CC}-V_{EE}$  (min., max.). 50% duty cycle. The supply current ( $I_{CC2}+I_{CC3}$ ) does not include the load drive current ( $I_{CC1}$ ). Add max. 45 mA for the three outputs. Load is 50  $\Omega$  to  $V_{CC}-2$  V.
- To maintain good LED reliability, the device should not be held in the ON state for more than the specified time. Normal operation should be done with 50% duty cycle.
- To achieve proper PECL output levels the 50  $\Omega$  termination should be done to  $V_{CC}-2$  V. For correct termination see the application notes.

### Transmitter Electro-Optical Characteristics

Transmitter	Symbol	Min.	Typ.	Max.	Units
Data Rate	DR	0		266	MBaud
Launched Power (Average) <sup>(1, 2)</sup> into 62.5 μm Fiber	P <sub>O</sub>	-20	-16	-14	dBm
Center Wavelength <sup>(2, 3)</sup>	λ <sub>C</sub>	1280		1380	nm
Spectral Width (FWHM) <sup>(2, 4)</sup>	Δ <sub>f</sub>			200	
Output Rise Time, 10%–90% <sup>(5)</sup>	t <sub>R</sub>	0.6		2.0	ns
Output Rise Time, 10%–90% <sup>(5)</sup>	t <sub>F</sub>			2.2	
Temperature Coefficient of Optical Output Power	TC <sub>p</sub>			0.03	dB/°C
Extinction Ratio (Dynamic) <sup>(2, 6)</sup>	ER			12	%
Deterministic Jitter <sup>(7, 8)</sup>	t <sub>DJ</sub>			16	
Random Jitter <sup>(7, 9)</sup>	t <sub>RJ</sub>			9	

#### Notes

1. Measured at the end of 5 meters of 62.5/125/0.275 graded index fiber using calibrated power meter and a precision test ferrule. Cladding modes are removed. Values valid for EOL.
2. The input data pattern is a 12.5 MHz square wave pattern.
3. Center wavelength is defined as the midpoint between the two 50% levels of the optical spectrum of the LED.
4. Spectral width (full width, half max.) is defined as the difference between 50% levels of the optical spectrum of the LED.
5. 10% to 90% levels. Measured using a 12.5 MHz square wave pattern with an optoelectronic measurement system (detector and oscilloscope) with 3 dB bandwidth ranging from less than 0.1 MHz to more than 750 MHz.
6. Extinction ratio is defined as PL/PH x 100%. Measurement system as in Note 5.
7. Test method and consideration as in FC-PH Appendix A.
8. Measured with the K28.5 pattern from Chapter II of the FC-PH at 266 MBd.
9. Measured with the K28.7 pattern from Chapter II of the FC-PH which equals a 133 MHz square wave.

### Receiver Electro-Optical Characteristics

Receiver	Symbol	Min.	Typ.	Max.	Units
Data Rate	DR	5 <sup>(1)</sup>		266	MBaud
Sensitivity (Average Power) <sup>(2)</sup>	P <sub>IN</sub>		-30	-26	dBm
Saturation (Average Power) <sup>(3)</sup>	P <sub>SAT</sub>	-14	-11		
Deterministic Jitter <sup>(4, 5)</sup>	t <sub>DJ</sub>			19	%
Random Jitter <sup>(4, 6)</sup>	t <sub>RJ</sub>			9	
Signal Detect Assert Level <sup>(7)</sup>	P <sub>SDA</sub>	-43.5		-29	dBm
Signal Detect Deassert Level <sup>(8)</sup>	P <sub>SDD</sub>	-45		-30.5	
Signal Detect Hysteresis	P <sub>SDA</sub> -P <sub>SDD</sub>	1.5			dB
Output Low Voltage <sup>(9)</sup>	V <sub>OL</sub> -V <sub>CC</sub>	-1810		-1620	mV
Output High Voltage <sup>(9)</sup>	V <sub>OH</sub> -V <sub>CC</sub>	-1025		-880	
Output Data Rise/Fall Time, 20%–80%	t <sub>R</sub> , t <sub>F</sub>			1.3	ns
Output SD Rise/Fall Time, 20%–80%				40	

#### Notes

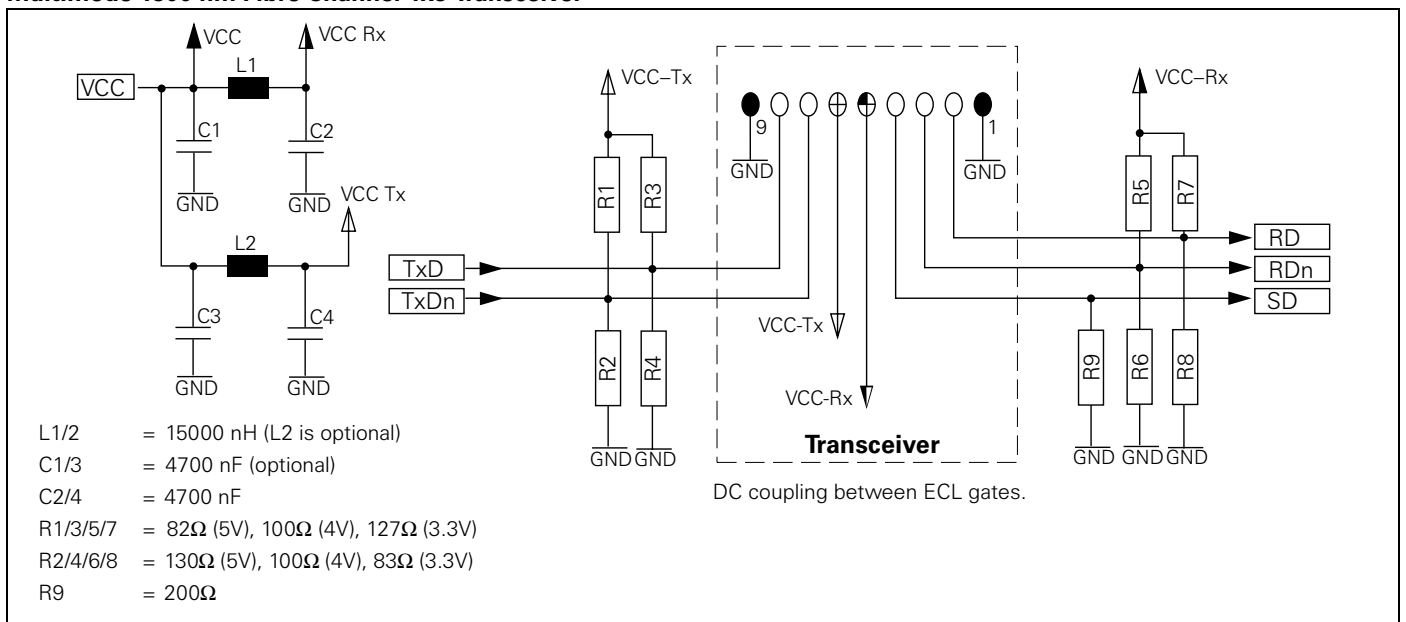
1. Pattern: Manchester coding / NRZI (no scrambling)
2. For a bit error rate (BER) of less than 1x10E-12 over a receiver eye opening of least 1.0 ns. Measured with a 2<sup>7</sup>-1 PRBS.
3. For a BER of less than 1x10E-12. Measured in the center of the eye opening with a 2<sup>7</sup>-1 PRBS.
4. Test method and considerations as in FH-PC Appendix A.
5. Measured with the K28.5 pattern from Chapter II of the FC-PH at 266 MBd.
6. Measured with the K28.7 pattern from Chapter II of the FC-PH which equals a 133 MHz square wave.
7. An increase in optical power through the specified level will cause the Signal Detect output to switch from a Low state to a High state.
8. A decrease in optical power through the specified level will cause the Signal Detect output to switch from a High state to a Low state.
9. PECL compatible. Load is 50 Ω into V<sub>CC</sub>-2 V. Measured under DC conditions. For dynamic measurements a tolerance of 50 mV should be added for V<sub>CC</sub>=5 V.

## Pin Description

Pin Name	Level	Pin #	Description
RxV <sub>EE</sub>	Rx Ground	1	Negative power supply, normally ground
RxD	Rx Output Data	2	Receiver output data
RxDn	Rx Output Data	3	Inverted receiver output data
Rx SD	RX Signal Detect	4	A high level on this output shows that an optical signal is applied to the optical input
RxV <sub>CC</sub>	Rx +3.3 to 5 V	5	Positive power supply, +3.3 to 5 V
TxV <sub>CC</sub>	Tx +3.3 to 5 V	6	Positive power supply, +3.3 to 5 V
TxDn	Tx Input Data	7	Inverted transmitter input data
TxD	Tx Input Data	8	Transmitter input data
TxV <sub>EE</sub>	Tx Ground	9	Negative power supply, normally ground
Case	Support	S1/S2	Support stud, not connected

## APPLICATION NOTE

### Multimode 1300 nm Fibre Channel 1x9 Transceiver



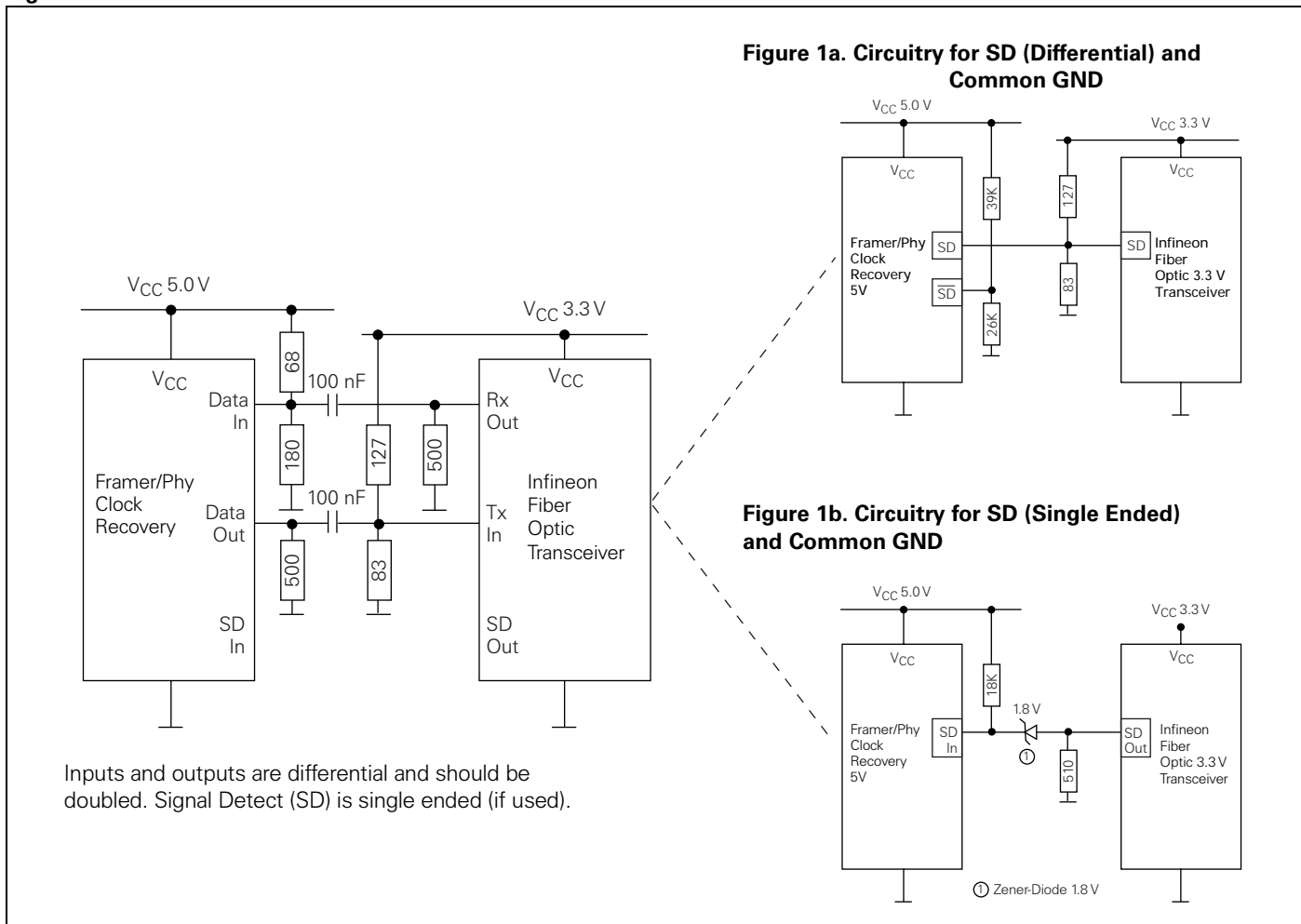
The power supply filtering is required for good EMI performance. Use short tracks from the inductor L1/L2 to the module V<sub>CC-Rx</sub>/V<sub>CC-Tx</sub>.

A GND plane under the module is recommended for good EMI and sensitivity performance.

**APPLICATION NOTE FOR MULTIMODE 1300 NM LED TRANSCEIVER**

Solutions for connecting a Infineon 3.3 V Fiber Optic Transceiver to a 5.0 V Framer/Phy-Device.

**Figure 1. Common GND**



**Figure 2. Common V<sub>CC</sub>**

