

**Cascadable Amplifier
2 to 2400 MHz**

A35-1/ SMA35-1

V2

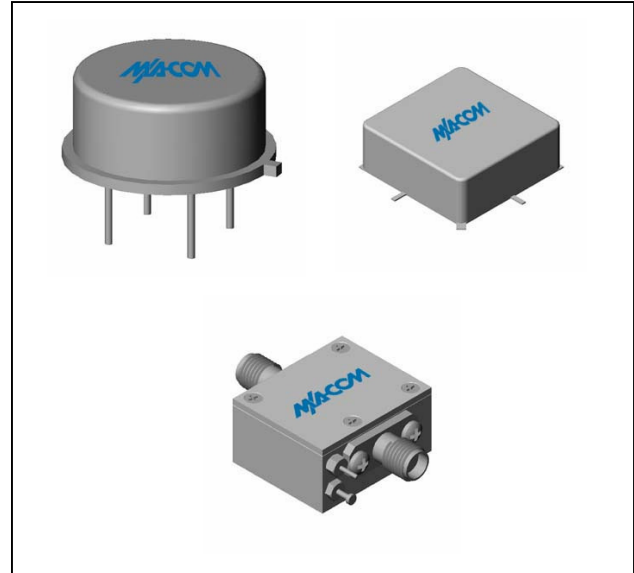
Features

- AVAILABLE IN SURFACE MOUNT
- ULTRA WIDE BANDWIDTH 1-2600 MHz (TYP.)
- MEDIUM OUTPUT LEVEL +9.5 dBm (TYP.)

Description

The A35-1 RF amplifier is a discrete thin film hybrid design, which incorporates the use of thin film manufacturing processes for accurate performance and high reliability. This single stage bipolar transistor feedback amplifier design displays impressive performance over a broadband frequency range. An active DC biasing network is used for temperature-stable performance, in addition to an RF Choke, used for power supply decoupling. Both TO-8 and Surface Mount packages are hermetically sealed, and MIL-STD-883 environmental screening is available.

Product Image



Ordering Information

| Part Number | Package |
|-------------|-------------------|
| A35-1 | TO-8 |
| SMA35-1 | Surface Mount |
| CA35-1 | SMA Connectorized |

Electrical Specifications: $Z_0 = 50\Omega$, $V_{CC} = +15 V_{DC}$

| Parameter | Units | Typical | Guaranteed | |
|---------------------------------|-------|---------------|---------------|----------------|
| | | 25°C | 0° to 50°C | -54° to +85°C* |
| Frequency | MHz | 1-2600 | 2-2400 | 2-2400 |
| Small Signal Gain (min) | dB | 9.0 | 8.5 | 8.0 |
| Gain Flatness (max) | dB | ±0.4 | ±0.6 | ±0.8 |
| Reverse Isolation | dB | 16 | | |
| Noise Figure (max) | dB | 4.2 | 5.0 | 5.5 |
| Power Output @ 1 dB comp. (min) | dBm | 9.5 | 8.5 | 8.0 |
| IP3 | dBm | +23 | | |
| IP2 | dBm | +34 | | |
| Second Order Harmonic IP | dBm | +40 | | |
| VSWR Input / Output (max) | | 1.4:1 / 1.4:1 | 1.9:1 / 1.9:1 | 2.0:1 / 2.0:1 |
| DC Current @ 15 Volts (max) | mA | 28 | 31 | 33 |

Absolute Maximum Ratings

| Parameter | Absolute Maximum |
|--|------------------|
| Storage Temperature | -62°C to +125°C |
| Case Temperature | +125°C |
| DC Voltage | +21 V |
| Continuous Input Power | 13 dBm |
| Short Term Input power (1 minute max.) | 50 mW |
| Peak Power (3 µsec max.) | 0.5 W |
| "S" Series Burn-In Temperature (case) | +125°C |

Thermal Data: $V_{CC} = +15 V_{DC}$

| Parameter | Rating |
|---|---------|
| Thermal Resistance θ_{jc} | 45°C/W |
| Transistor Power Dissipation P_d | 0.152 W |
| Junction Temperature Rise Above Case T_{jc} | +7°C |

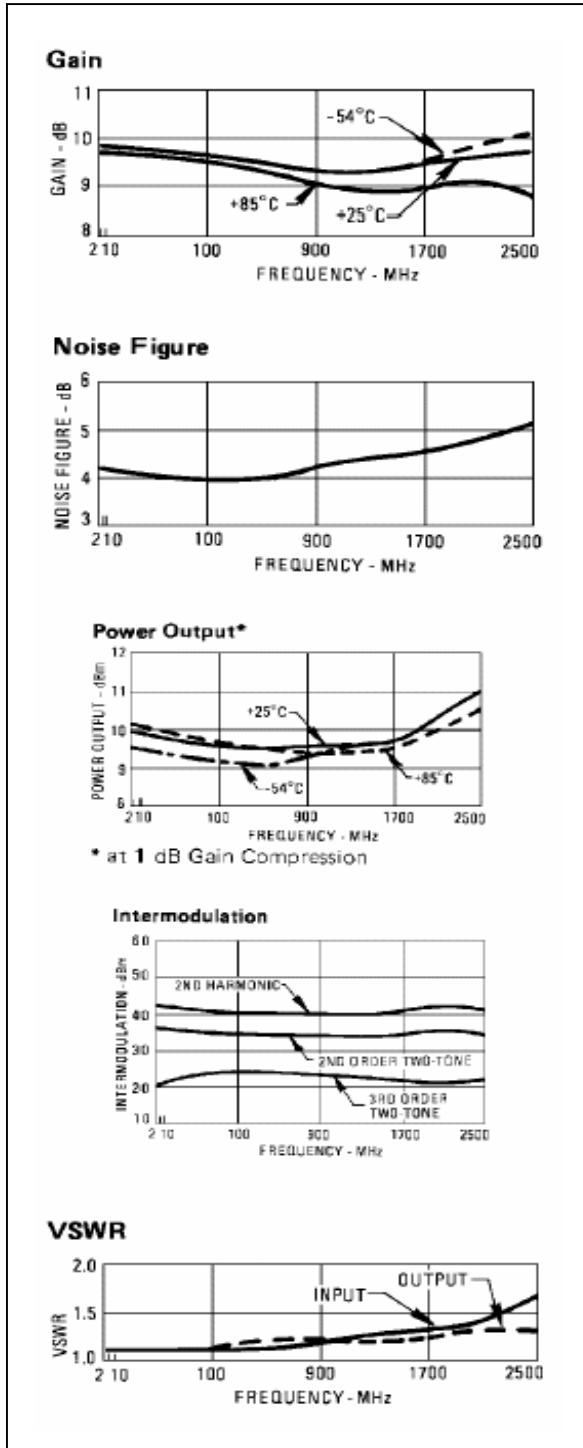
* Over temperature performance limits for part number CA35-1, guaranteed from 0°C to +50°C only.

Cascadable Amplifier
2 to 2400 MHz

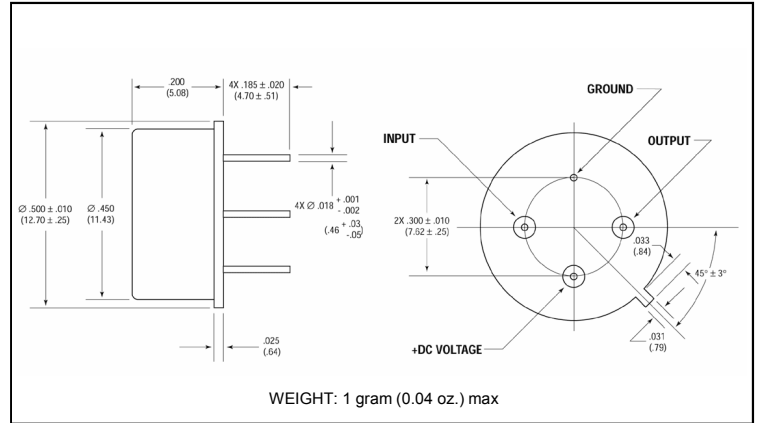
A35-1/ SMA35-1

V2

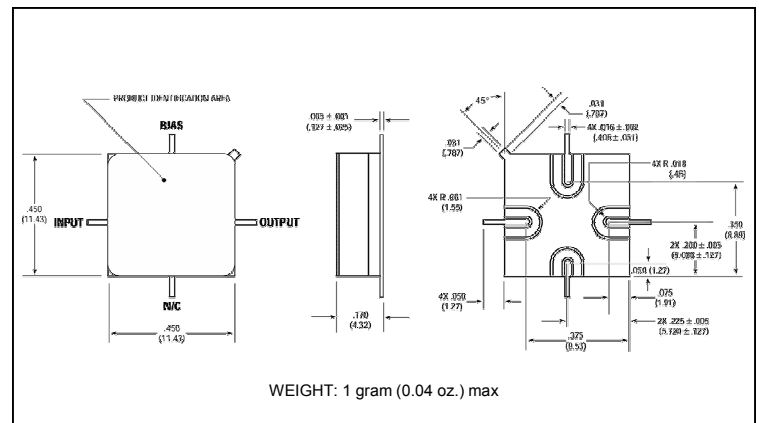
Typical Performance Curves at +25°C



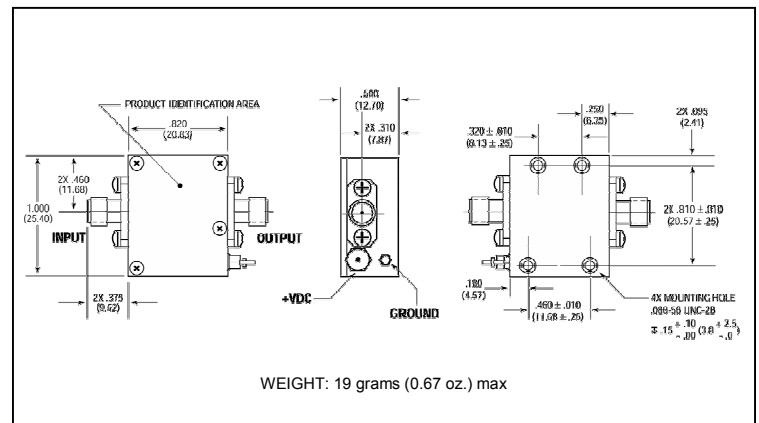
Outline Drawing: TO-8 *



Outline Drawing: Surface Mount *



Outline Drawing: SMA Connectorized *



* Dimensions are inches (millimeters) ±0.015 (0.38) unless otherwise specified.

M/A-COM Inc. and its affiliates reserve the right to make changes to the product(s) or information contained herein without notice. M/A-COM makes no warranty, representation or guarantee regarding the suitability of its products for any particular purpose, nor does M/A-COM assume any liability whatsoever arising out of the use or application of any product(s) or information.

- **North America** Tel: 800.366.2266 / Fax: 978.366.2266
- **Europe** Tel: 44.1908.574.200 / Fax: 44.1908.574.300
- **Asia/Pacific** Tel: 81.44.844.8296 / Fax: 81.44.844.8298

Visit www.macom.com for additional data sheets and product information.