

1000V CERAMIC DISC

90000 SERIES

The 90000 series is a range of insulated disc, monolithic fixed ceramic capacitors. They are most commonly used in consumer electronics and telecommunication equipment.

RATINGS

Capacitance Range: 1.0pf to 0.10 μ f (100,000pf)

Voltage: 1000 Volts DC

Withstand Voltage: 2500 Volts DC

PERFORMANCE SPECIFICATIONS

Operating Temperature Range:

-25°C to +85°C (-13°F to +185°F)

Tolerance Range:

| | |
|---------------|------------|
| 9001D0-9009D0 | ±0.5pf |
| 90010-90210 | ±10% |
| 90212-90220 | +80%, -20% |
| 90222 | ±20% |
| 90227-90410 | +80%, -20% |

Temperature Coefficient:

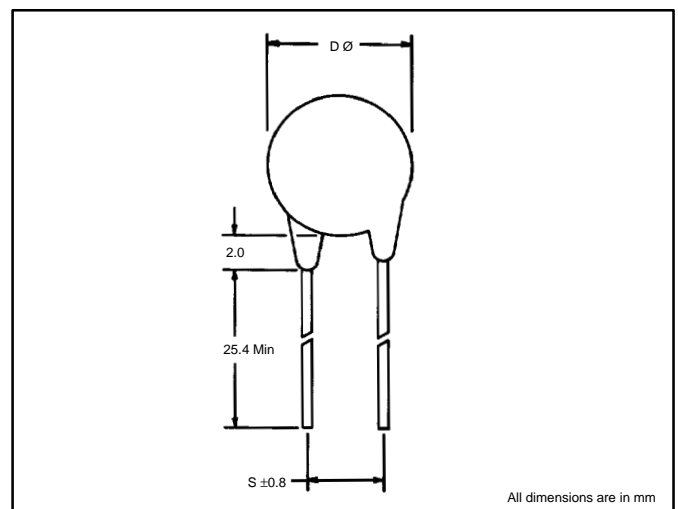
| | | |
|--------------|---|-----|
| 9001D0-90091 | - | SL |
| 90110-90118 | - | Y5F |
| 90122-90210 | - | Y5P |
| 90212-90220 | - | Z5V |
| 90222 | - | Z5U |
| 90227-90410 | - | Z5V |

Insulation Resistance: 7500M Ω Min
measured after 1 Minute at rated voltage

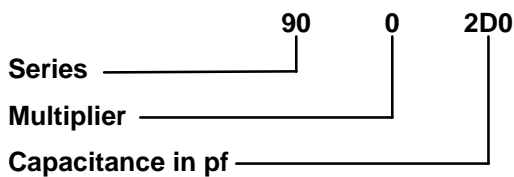
90000 Series Dimensions (Figure 2)

| Cap pf | D \emptyset mm | S mm | Cap pf | D \emptyset mm | S mm | Cap pf | D \emptyset mm | S mm |
|--------|------------------|------|--------|------------------|------|---------------|------------------|------|
| 1.0pf | 5 | 7.5 | 39pf | 5 | 7.5 | 1500pf | 5 | 7.5 |
| 2.0pf | 6 | 7.5 | 47pf | 5 | 7.5 | 1800pf | 6 | 7.5 |
| 2.2pf | 5 | 7.5 | 56pf | 5 | 7.5 | 2000pf | 6 | 7.5 |
| 2.7pf | 5 | 7.5 | 62pf | 5 | 7.5 | 2200pf | 6 | 7.5 |
| 3.0pf | 5 | 7.5 | 68pf | 6 | 7.5 | 2700pf | 7 | 7.5 |
| 3.3pf | 6 | 7.5 | 75pf | 6 | 7.5 | 3000pf | 7 | 7.5 |
| 4.0pf | 5 | 7.5 | 82pf | 6 | 7.5 | 3300pf | 7 | 7.5 |
| 4.7pf | 5 | 7.5 | 91pf | 6 | 7.5 | 3900pf | 7 | 7.5 |
| 5.0pf | 5 | 7.5 | 100pf | 5 | 7.5 | 4300pf | 7 | 7.5 |
| 5.6pf | 5 | 7.5 | 120pf | 5 | 7.5 | 4700pf | 8 | 7.5 |
| 6.2pf | 5 | 7.5 | 150pf | 5 | 7.5 | 5000pf | 8 | 7.5 |
| 6.8pf | 5 | 7.5 | 180pf | 5 | 7.5 | 5600pf | 8.5 | 7.5 |
| 7.5pf | 5 | 7.5 | 220pf | 5 | 7.5 | 6800pf | 10.5 | 7.5 |
| 8.0pf | 6 | 7.5 | 270pf | 6 | 7.5 | 7500pf | 10.5 | 7.5 |
| 9.0pf | 5 | 7.5 | 330pf | 6 | 7.5 | 8200pf | 10.5 | 7.5 |
| 10pf | 5 | 7.5 | 390pf | 6 | 7.5 | 0.01 μ f | 10.5 | 7.5 |
| 12pf | 5 | 7.5 | 430pf | 6 | 7.5 | 0.015 μ f | 10.5 | 7.5 |
| 13pf | 5 | 7.5 | 470pf | 5 | 7.5 | 0.020 μ f | 11.0 | 7.5 |
| 15pf | 5 | 7.5 | 500pf | 6 | 7.5 | 0.022 μ f | 13.5 | 8.5 |
| 18pf | 5 | 7.5 | 560pf | 6 | 7.5 | 0.030 μ f | 13.5 | 8.5 |
| 20pf | 5 | 7.5 | 680pf | 6 | 7.5 | 0.033 μ f | 13.5 | 8.5 |
| 22pf | 5 | 7.5 | 750pf | 6 | 7.5 | 0.036 μ f | 13.5 | 8.5 |
| 24pf | 6 | 7.5 | 820pf | 6 | 7.5 | 0.047 μ f | 16.5 | 10.5 |
| 27pf | 5 | 7.5 | 910pf | 6 | 7.5 | 0.050 μ f | 16.5 | 10.5 |
| 30pf | 5 | 7.5 | 1000pf | 5 | 7.5 | 0.10 μ f | 20.0 | 10.5 |
| 33pf | 5 | 7.5 | 1200pf | 5 | 7.5 | | | |

Figure 2



ORDERING INFORMATION



Example: 9002D0 = 2.0pf
90220 = 2000pf
90347 = 0.047 μ f

MARKING EXAMPLE

Example: 2pf = 2
2000pf = 202
0.047 μ f = 473

Figure 1

