



MBRS2035CT THRU MBR20100CT

20.0 AMPS. Schottky Barrier Rectifiers



Voltage Range
35 to 100 Volts
Current
20.0 Amperes

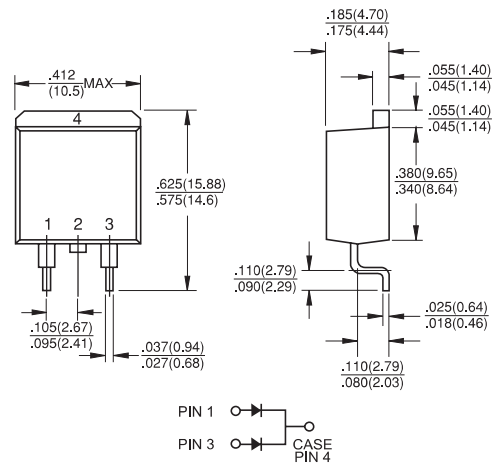
Features

- ✦ For surface mounted application
- ✦ Plastic material used carries Underwriters Laboratory Classifications 94V-0
- ✦ Metal silicon junction, majority carrier conduction
- ✦ Low power loss, high efficiency
- ✦ High current capability, low forward voltage drop
- ✦ High surge capability
- ✦ For use in low voltage, high frequency inverters, free wheeling, and polarity protection applications
- ✦ Guardring for overvoltage protection
- ✦ High temperature soldering guaranteed: 260°C/10 seconds at terminals

Mechanical Data

- ✦ Cases: JEDEC D²PAK molded plastic
- ✦ Terminals: Leads solderable per MIL-STD-750, Method 2026
- ✦ Polarity: As marked
- ✦ Mounting position: Any
- ✦ Mounting torque: 5 in. - lbs. max
- ✦ Weight: 0.06 ounce, 1.70 grams

D²PAK



Dimensions in inches and (millimeters)

Maximum Ratings and Electrical Characteristics

Rating at 25°C ambient temperature unless otherwise specified.

Single phase, half wave, 60 Hz, resistive or inductive load.

For capacitive load, derate current by 20%

Type Number	Symbol	MBRS 2035CT	MBRS 2045CT	MBRS 2050CT	MBRS 2060CT	MBRS 20100CT	Units	
Maximum Recurrent Peak Reverse Voltage	V_{RRM}	35	45	50	60	100	V	
Maximum RMS Voltage	V_{RMS}	24	31	35	42	70	V	
Maximum DC Blocking Voltage	V_{DC}	35	45	50	60	100	V	
Maximum Average Forward Rectified Current at $T_C=135^\circ\text{C}$	$I_{(AV)}$	20						A
Peak Repetitive Forward Current (Rated V_R , Square Wave, 20KHz) at $T_C=135^\circ\text{C}$	I_{FRM}	20.0						A
Peak Forward Surge Current, 8.3 ms Single Half Sine-wave Superimposed on Rated Load (JEDEC method)	I_{FSM}	150						A
Peak Repetitive Reverse Surge Current (Note 1)	I_{RRM}	1.0		0.5				A
Maximum Instantaneous Forward Voltage at (Note 2) $I_F=10\text{A}, T_C=25^\circ\text{C}$ $I_F=10\text{A}, T_C=125^\circ\text{C}$ $I_F=20\text{A}, T_C=25^\circ\text{C}$ $I_F=20\text{A}, T_C=125^\circ\text{C}$	V_F	-		0.80		0.85	V	
Maximum Instantaneous Reverse Current @ $T_C=25^\circ\text{C}$ at Rated DC Blocking Voltage @ $T_C=125^\circ\text{C}$	I_R	0.1		0.15		150.0	mA mA	
Voltage Rate of Change, (Rated V_R)	dV/dt	10,000						V/ μS
Typical Thermal Resistance Per Leg (Note 3)	$R_{\theta_{JC}}$	1.5			2.0		$^\circ\text{C}/\text{W}$	
Operating Junction Temperature Range	T_J	-65 to +150						$^\circ\text{C}$
Storage Temperature Range	T_{STG}	-65 to +175						$^\circ\text{C}$

- Notes: 1. 2.0 μs Pulse Width, $f=1.0$ KHz
2. Pulse Test: 300 μs Pulse Width, 1% Duty Cycle
3. Thermal Resistance from Junction to Case Per Leg.

RATINGS AND CHARACTERISTIC CURVES (MBRS2035CT THRU MBRS20100CT)

FIG.1- FORWARD CURRENT DERATING CURVE

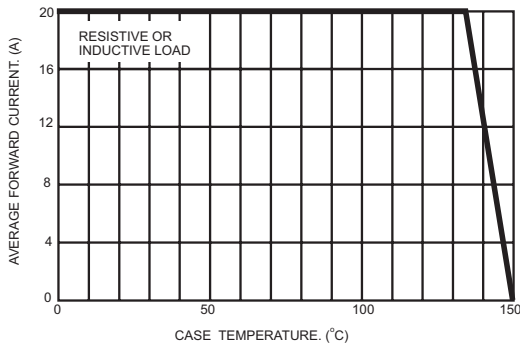


FIG.2- MAXIMUM NON-REPETITIVE FORWARD SURGE CURRENT PER LEG

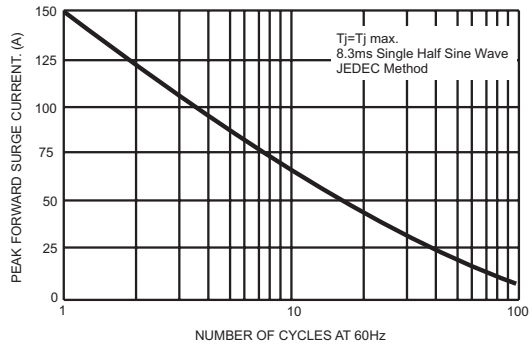


FIG.3- TYPICAL INSTANTANEOUS FORWARD CHARACTERISTICS PER LEG

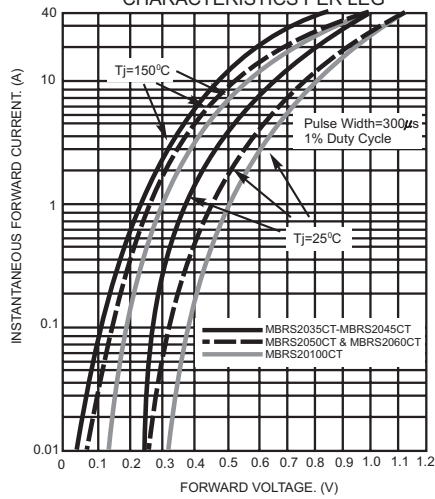


FIG.4- TYPICAL REVERSE CHARACTERISTICS PER LEG

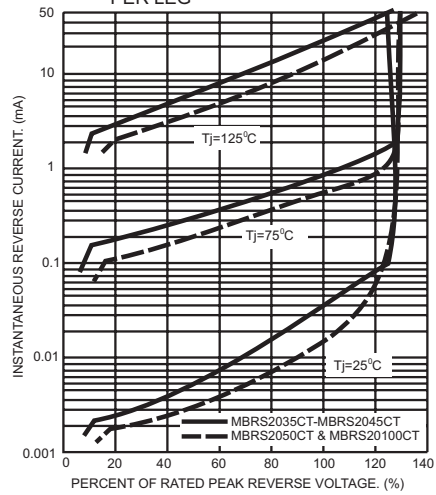


FIG.5- TYPICAL JUNCTION CAPACITANCE PER LEG

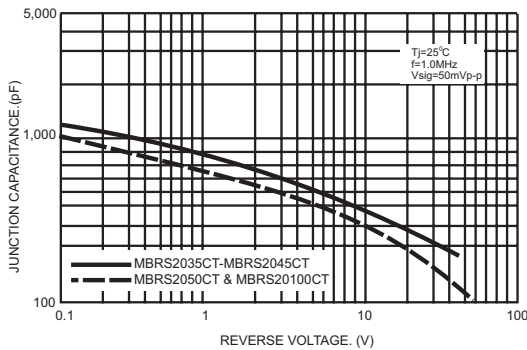


FIG.6- TYPICAL TRANSIENT THERMAL IMPEDANCE PER LEG

