

# MITSUBISHI MICROCOMPUTERS

# M37204MC-XXXSP

# M37204EC-XXXSP, M37204ECSP

SINGLE-CHIP 8-BIT CMOS MICROCOMPUTER for VOLTAGE SYNTHESIZER  
and ON-SCREEN DISPLAY CONTROLLER

## DESCRIPTION

The M37204MC-XXXSP is a single-chip microcomputer designed with CMOS silicon gate technology. It is housed in a 64-pin shrink plastic molded DIP.

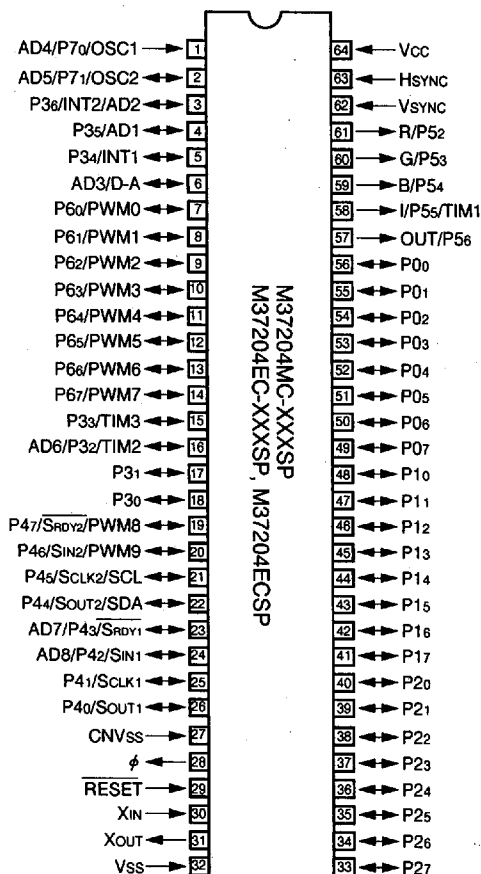
In addition to their simple instruction sets, the ROM, RAM and I/O addresses are placed on the same memory map to enable easy programming.

The M37204MC-XXXSP has a PWM function and an OSD function, so it is useful for a channel selection system for TV. The features of the M37204EC-XXXSP and the M37204ECSP are similar to those of the M37204MC-XXXSP except that these chips have a built-in PROM which can be written electrically. Accordingly, the following descriptions will be for the M37204MC-XXXSP unless otherwise noted.

## FEATURES

- Number of basic instructions ..... 69
- Memory size .....
  - ROM ..... 48 K bytes
  - RAM ..... 704 bytes
  - ROM for display ..... 8 K bytes
  - RAM for display ..... 144 bytes
- The minimum instruction execution time ..... 0.5  $\mu$ s (at 8 MHz oscillation frequency)
- Power source voltage ..... 5 V  $\pm$  10 %
- Subroutine nesting ..... 128 levels (Max.)
- Interrupts ..... 13 types, 13 vectors
- 8-bit timers ..... 4
- Programmable I/O ports  
(Ports P0, P1, P2, P30-P36, P4, P6) ..... 47
- Output ports (Ports P52-P56) ..... 5
- 12 V withstand ports ..... 10
- LED drive ports ..... 4
- Serial I/O ..... 8-bit  $\times$  2 channel (2 systems)
- Special serial I/O for master transmission and reception ..... 1
- Power dissipation ..... 110 mW  
(at VCC = 5.5 V, 4 MHz oscillation frequency, CRT on)
- A-D comparator (6-bit resolution) ..... 8 channels
- PWM output circuit ..... 14-bit  $\times$  1, 8-bit  $\times$  10
- Interrupt interval determination circuit ..... 1
- CRT display function
  - Display characters ..... 24 characters  $\times$  3 lines  
(16 lines max.)
  - Character kinds ..... 256 kinds
  - Dot structure ..... 12  $\times$  16 dots
  - Character size ..... 4 kinds
  - Character color kinds (It can be specified by the character)  
max. 15 kinds (R, G, B, I)
  - Character background color (It can be specified by the character)  
max. 7 kinds (R, G, B)
  - 1/2-character unit color specification is possible.
  - Raster color (max. 15 kinds)
  - Display layout
    - Horizontal ..... 64 levels
    - Vertical ..... 128 levels
  - Bordering (horizontal and vertical)
  - Wipe function
  - Scanning line double count mode display is possible.

## PIN CONFIGURATION (TOP VIEW)



Outline 64P4B

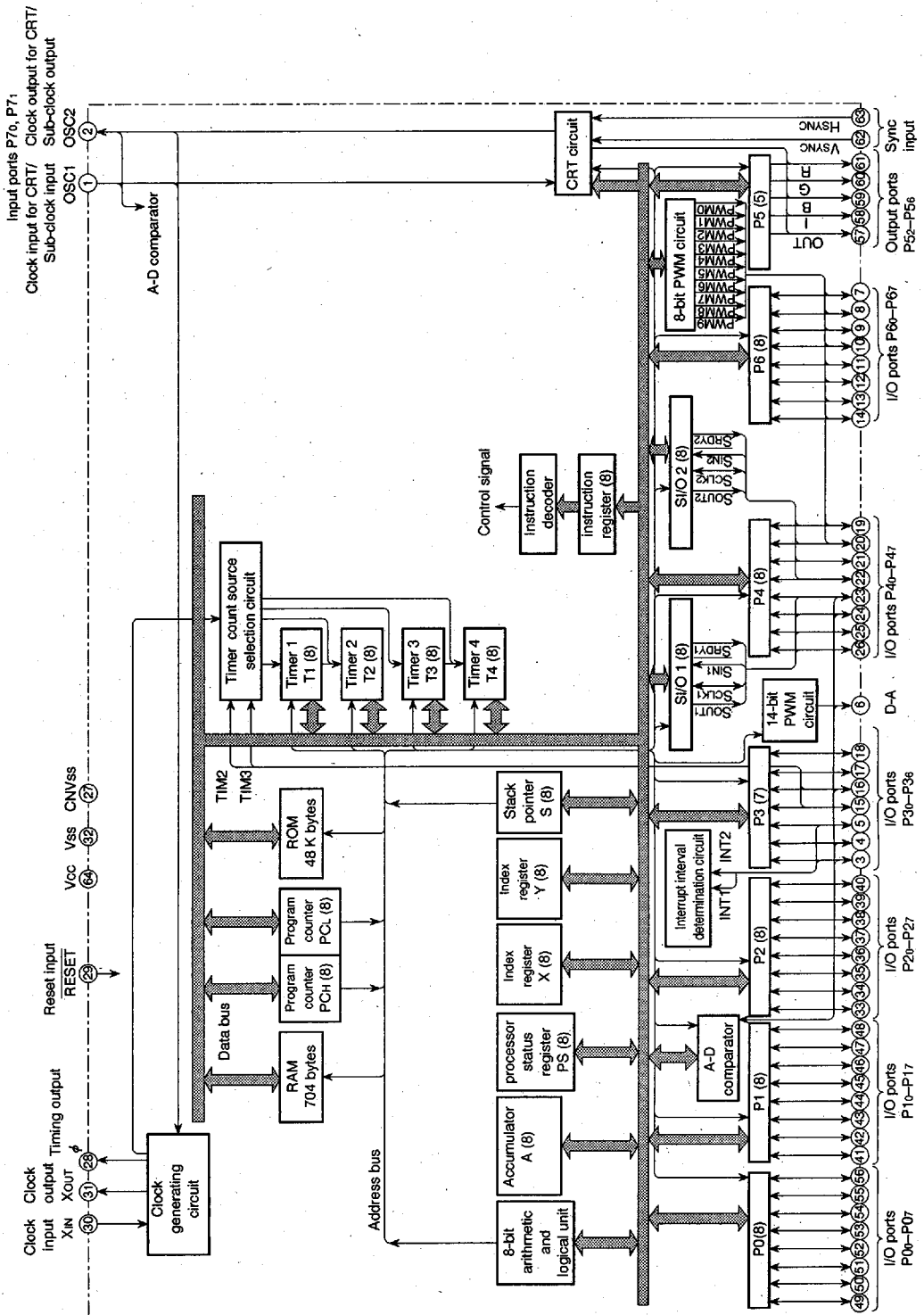
## APPLICATION

TV

# M37204MC-XXXSP M37204EC-XXXSP, M37204ECSP

SINGLE-CHIP 8-BIT CMOS MICROCOMPUTER for VOLTAGE SYNTHESIZER  
and ON-SCREEN DISPLAY CONTROLLER

FUNCTIONAL BLOCK DIAGRAM of M37204MC-XXXSP



6249828 0025288 265

**M37204MC-XXXSP**  
**M37204EC-XXXSP, M37204ECSP**

SINGLE-CHIP 8-BIT CMOS MICROCOMPUTER for VOLTAGE SYNTHESIZER  
 and ON-SCREEN DISPLAY CONTROLLER

**FUNCTIONS**

| Parameter                                |  | Functions   |
|--|--|---|
| Number of basic instructions             |  | 69  |
| Instruction execution time               |  | 0.5 $\mu$ s (the minimum instruction execution time, at 8 MHz oscillation frequency)  |
| Clock frequency                          |  | 8 MHz (maximum)   |
| Memory size                              | ROM  | 48 K bytes  |
|  | RAM  | 704 bytes   |
|  | ROM for display  | 8 K bytes   |
|  | RAM for display  | 144 bytes   |
| Input/Output ports                       | P00-P07  | I/O 8-bit $\times$ 1 (CMOS input/output structure)  |
|  | P10-P17  | I/O 8-bit $\times$ 1 (CMOS input/output structure)  |
|  | P20-P27  | I/O 8-bit $\times$ 1 (CMOS input/output structure)  |
|  | P30, P31   | I/O 2-bit $\times$ 1 (CMOS input/output structure)  |
|  | P32-P36  | I/O 5-bit $\times$ 1 (N-channel open-drain output structure, can be used as external clock input pins, A-D input pins, INT input pins)  |
|  | P40-P47  | I/O 8-bit $\times$ 1 (N-channel open-drain output structure, can be used as serial I/O pins, A-D input pins, PWM output pins)   |
|  | P52-P56  | Output 5-bit $\times$ 1 (CMOS output structure, can be used as CRT output pins, an external clock output pin)   |
|  | P60-P67  | I/O 8-bit $\times$ 1 (N-channel open-drain output structure, can be used as PWM outputs)  |
|  | P70  | 1-bit $\times$ 1 (can be used as a CRT display clock input pin, an A-D input pin)   |
| P71                                      | 1-bit $\times$ 1 (can be used as a CRT display clock output pin, an A-D input pin) |   |
| Serial I/O                               |  | 8-bit $\times$ 2, special serial I/O (8-bit) $\times$ 1   |
| A-D comparator                           |  | 8 channels (6-bit resolution)   |
| PWM output circuit                       |  | 14-bit $\times$ 1, 8-bit $\times$ 10  |
| Timers                                   |  | 8-bit timer $\times$ 4  |
| Subroutine nesting                       |  | 128 levels (maximum)  |
| Interrupt interval determination circuit |  | 1   |
| Interrupt                                |  | External interrupt $\times$ 2, Internal timer interrupt $\times$ 4, Serial I/O interrupt $\times$ 1, CRT interrupt $\times$ 1, f(XIN)/4096 interrupt $\times$ 1, Vsync interrupt $\times$ 1, BRK interrupt $\times$ 1 |
| Clock generating circuit                 |  | 2 built-in circuits (externally connected a ceramic resonator or a quartz-crystal oscillator)   |
| Power source voltage                     |  | 5 V $\pm$ 10 %  |
| Power dissipation                        | CRT ON   | 110 mW typ. (at oscillation frequency f <sub>CPU</sub> = 4 MHz, f <sub>CRT</sub> = 8 MHz)   |
|  | CRT OFF  | 55 mW typ. (at oscillation frequency f <sub>CPU</sub> = 4 MHz)  |
|  | In stop mode   | 1.65 mW (maximum)   |
| Operating temperature range              |  | -10 °C to 70 °C   |
| Device structure                         |  | CMOS silicon gate process   |
| Package                                  |  | 64-pin shrink plastic molded DIP  |
| CRT display function                     | Number of character  | 24 characters $\times$ 3 lines (maximum 16 lines by software)   |
|  | Character dot construction   | 12 $\times$ 16 dots   |
|  | Kinds of characters  | 256 kinds   |
|  | Character size   | 4 kinds   |
|  | Kinds of color   | Maximum 15 kinds (R, G, B, I)   |
| Display position (horizontal, vertical)  |  | 64 levels (horizontal) $\times$ 128 levels (vertical)   |

6249828 0025289 1T1



**M37204MC-XXXSP**  
**M37204EC-XXXSP, M37204ECSP**

SINGLE-CHIP 8-BIT CMOS MICROCOMPUTER for VOLTAGE SYNTHESIZER  
and ON-SCREEN DISPLAY CONTROLLER

**PIN DESCRIPTION**

| Pin   | Name  | Input/<br>Output | Name  |
|---|---|------------------|---|
| Vcc, Vss  | Power source                                |                  | Apply voltage of 5 V ± 10 % to Vcc and AVcc, and 0 V to Vss.  |
| CNVss   | CNVss                                       |                  | This is connected to Vss.   |
| RESET   | Reset input                                 | Input            | To enter the reset state, the reset input pin must be kept at a "L" for 2 μs or more (under normal Vcc conditions). If more time is needed for the quartz-crystal oscillator to stabilize, this "L" condition should be maintained for the required time.   |
| XIN   | Clock input                                 | Input            | This chip has an internal clock generating circuit. To control generating frequency, an external ceramic resonator or a quartz-crystal oscillator is connected between pins XIN and XOUT. If an external clock is used, the clock source should be connected to the XIN pin and the XOUT pin should be left open. |
| XOUT  | Clock output                                | Output           |   |
| P00-P07   | I/O port P0                                 | I/O              | Port P0 is an 8-bit I/O port with direction register allowing each I/O bit to be individually programmed as input or output. At reset, this port is set to input mode. The output structure is CMOS output. The note of this Table gives a full of port P0 function.  |
| P10-P17   | I/O port P1                                 | I/O              | Port P1 is an 8-bit I/O port and has basically the same functions as port P0. The output structure is CMOS output.  |
| P20-P27   | I/O port P2                                 | I/O              | Port P2 is an 8-bit I/O port and has basically the same functions as port P0. The output structure is CMOS output.  |
| P30, P31  | I/O port P3                                 | I/O              | Ports P30, P31 are a 2-bit I/O port and have basically the same functions as port P0. The output structure is CMOS output.  |
| AD6/P32/<br>TIM2,<br>P33/TIM3,<br>P34/INT1,<br>P35/AD1,<br>P36/INT2/<br>AD2   | I/O port P3                                 | I/O              | Ports P32-P36 are a 5-bit I/O port and basically the same functions as port P0. The output structure is N-channel open-drain output.  |
|   | Analog input                                | Input            | Pins P32, P35, P36 are also used as analog input pins AD6, AD1 and AD2 respectively.  |
|   | External clock input                        | Input            | Pins P32, P33 are also used as external clock input pins TIM2, TIM3 respectively.   |
|   | External interrupt input                    | Input            | Pins P34, P36 are also used as external interrupt input pins INT1, INT2.  |
| P40/SOUT1,<br>P41/SCLK1,<br>AD8/P42/<br>SIN1,<br>AD7/P43/<br>SRDY1,<br>P44/SOUT2/<br>SDA,<br>P45/SCLK2/<br>SCL,<br>P46/SIN2/<br>PWM9,<br>P47/SRDY2/<br>PWM8 | I/O port P4                                 | I/O              | Port P4 is an 8-bit I/O port and has basically the same functions as port P0. The output structure is N-channel open-drain output.  |
|   | Serial I/O data input/output                | I/O              | Pins P40, P42, P44, P46 are also used as serial I/O data input/output pins SOUT1, SIN1, SOUT2, SIN2 respectively. The output structure is N-channel open-drain output.  |
|   | Serial I/O synchronizing clock input/output | I/O              | Pins P41, P45 are also used as serial I/O synchronizing clock input/output pins SCLK1, SCLK2 respectively. The output structure is N-channel open-drain output.   |
|   | Serial I/O receive enable signal output     | Output           | Pins P43, P47 are also used as serial I/O receive enable signal output pins SRDY1, SRDY2 respectively. The output structure is N-channel open-drain output.   |
|   | Special serial I/O input/output             | I/O              | Pins P44, P45 are also used as SDA, SCL respectively when special serial I/O is used. The output structure is N-channel open-drain output.  |
|   | Analog input                                | Input            | Pins P42, P43 are also used as analog input pins AD8, AD7 respectively.   |
|   | PWM output                                  | Output           | Pins P46, P47 are also used as PWM output pins PWM9, PWM8 respectively. The output structure is N-channel open-drain output.  |

6249828 0025290 913

**M37204MC-XXXSP**  
**M37204EC-XXXSP, M37204ECSP**

SINGLE-CHIP 8-BIT CMOS MICROCOMPUTER for VOLTAGE SYNTHESIZER  
 and ON-SCREEN DISPLAY CONTROLLER

**PIN DESCRIPTION (continued)**

|  |                                |        |  |
|--|--------------------------------|--------|--|
| R/P52,<br>G/P53,<br>B/P54,<br>I/P55/TIM1,<br>OUT/P56 | Output port P5                 | Output | Ports P52–P56 are a 5-bit output port. The output structure is CMOS output.  |
|  | CRT output                     | Output | Pins P52–P56 are also used as CRT output pins R, G, B, I, OUT respectively. The output structure is CMOS output.                   |
|  | Timer 1 overflow signal output | Output | Pin P55 is also used as timer 1 overflow signal output pin TIM1. The output structure is CMOS output.                              |
| P60/PWM0–<br>P67/PWM7                                | I/O port P6                    | I/O    | Port P6 is an 8-bit I/O port and has basically the same functions as port P0. The output structure is N-channel open-drain output. |
|  | PWM output                     | Output | Pins P60–P67 are also used as PWM output pins PWM0–PWM7 respectively. The output structure is CMOS output.                         |
| AD4/P70/<br>OSC1,<br>AD5/P71/<br>OSC2                | Input port P7                  | Input  | Ports P70, P71 are 2-bit input port.   |
|  | Clock input for CRT display    | Input  | Pin P70 is also used as CRT display clock input pin OSC1.  |
|  | Clock output for CRT display   | Output | Pin P71 is also used as CRT display clock output pin OSC2. The output structure is CMOS output.                                    |
|  | Analog input                   | Input  | Pins P70, P71 are also used as analog input pins AD4, AD5 respectively.  |
| HSYNC  | HSYNC input                    | Input  | This is a horizontal synchronizing signal input for CRT display.   |
| VSNC   | VSNC input                     | Input  | This is a vertical synchronizing signal input for CRT display.   |
| φ  | Timing output                  | Output | This is a timing output pin. This pin has reset-out output function. The output structure is CMOS output.                          |
| AD3/D-A  | DA output                      | Output | This is an output pin for 14-bit PWM. The output structure is CMOS output.   |
|  | Analog input                   | Input  | The D-A pin is also used as analog input pin AD3.  |

**Note :** As shown in the memory map (Figure 3), port P0 is accessed as a memory at address 00C0<sub>16</sub> of zero page. Port P0 has the port P0 direction register (address 00C1<sub>16</sub> of zero page) which can be used to program each bit as an input ("0") or an output ("1"). The pins programmed as "1" in the direction register are output pins. When pins are programmed as "0," they are input pins. When pins are programmed as output pins, the output data are written into the port latch and then output. When data is read from the output pins, the output pin level is not read but the data of the port latch is read. This allows a previously-output value to be read correctly even if the output "L" voltage has risen, for example, because a light emitting diode was directly driven. The input pins are in the floating state, so the values of the pins can be read. When data is written into the input pin, it is written only into the port latch, while the pin remains in the floating state.

6249828 0025291 85T

# M37204MC-XXXSP M37204EC-XXXSP, M37204ECSP

SINGLE-CHIP 8-BIT CMOS MICROCOMPUTER for VOLTAGE SYNTHESIZER  
and ON-SCREEN DISPLAY CONTROLLER

## FUNCTIONAL DESCRIPTION Central Processing Unit (CPU)

The M37204MC-XXXSP uses the standard 740 family instruction set. Refer to the table of 740 family addressing modes and machine instructions or the SERIES 740 <Software> User's Manual for details on the instruction set.

Machine-resident 740 family instructions are as follows:

The FST, SLW instruction cannot be used.

The MUL, DIV, WIT and STP instruction can be used.

## CPU Mode Register

The CPU mode register contains the stack page selection bit and internal system clock output selection bit. The CPU mode register is allocated at address 00FB16.

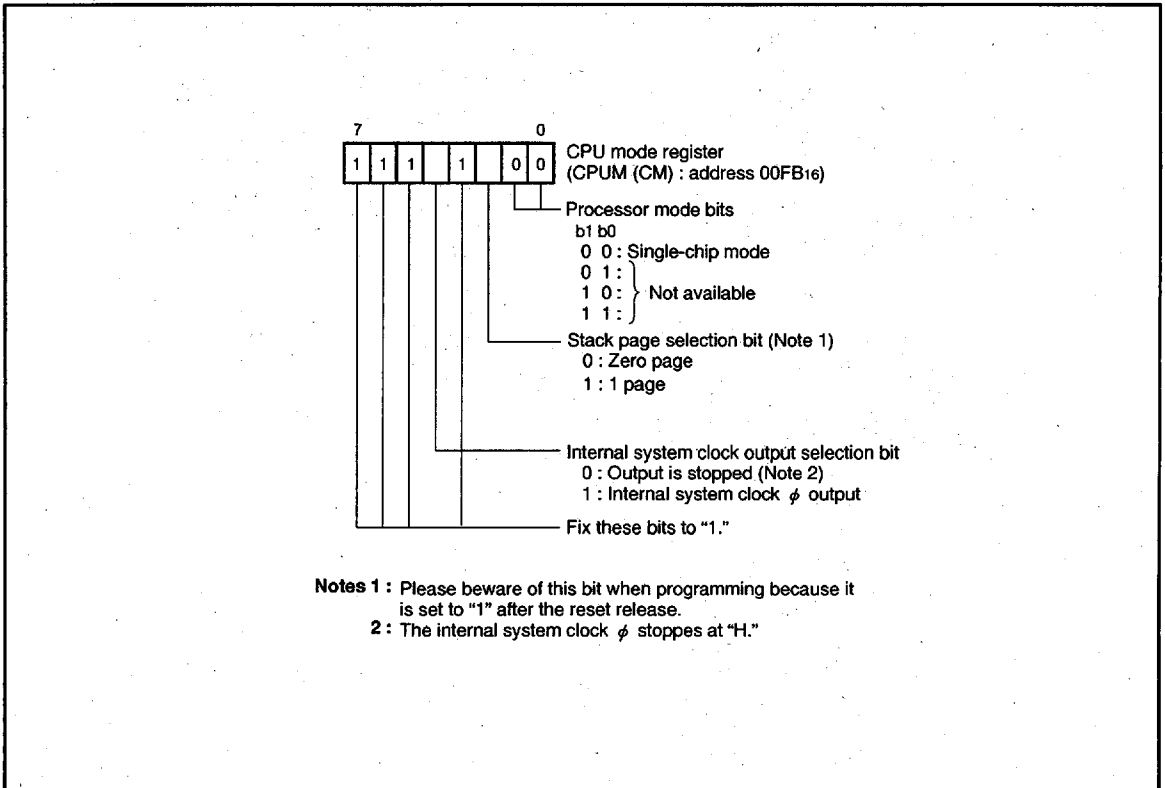


Fig. 1. Structure of CPU mode register

# M37204MC-XXXSP M37204EC-XXXSP, M37204ECSP

SINGLE-CHIP 8-BIT CMOS MICROCOMPUTER for VOLTAGE SYNTHESIZER  
and ON-SCREEN DISPLAY CONTROLLER

## MEMORY

### Special Function Register (SFR) Area

The special function register (SFR) area in the zero page contains control registers such as I/O ports and timers.

### RAM

RAM is used for data storage and for stack area of subroutine calls and interrupts.

### ROM

ROM is used for storing user programs as well as the interrupt vector area.

### RAM for Display

RAM for display is used for specifying the character codes and colors to display.

### ROM for Display

ROM for display is used for storing character data.

### Interrupt Vector Area

The interrupt vector area contains reset and interrupt vectors.

### Zero Page

The 256 bytes from addresses 0000<sub>16</sub> to 00FF<sub>16</sub> are called the zero page area. The internal RAM and the special function registers (SFR) are allocated to this area.

The zero page addressing mode can be used to specify memory and register addresses in the zero page area. Access to this area with only 2 bytes is possible in the zero page addressing mode.

### Special Page

The 256 bytes from addresses FF00<sub>16</sub> to FFFF<sub>16</sub> are called the special page area. The special page addressing mode can be used to specify memory addresses in the special page area. Access to this area with only 2 bytes is possible in the special page addressing mode.

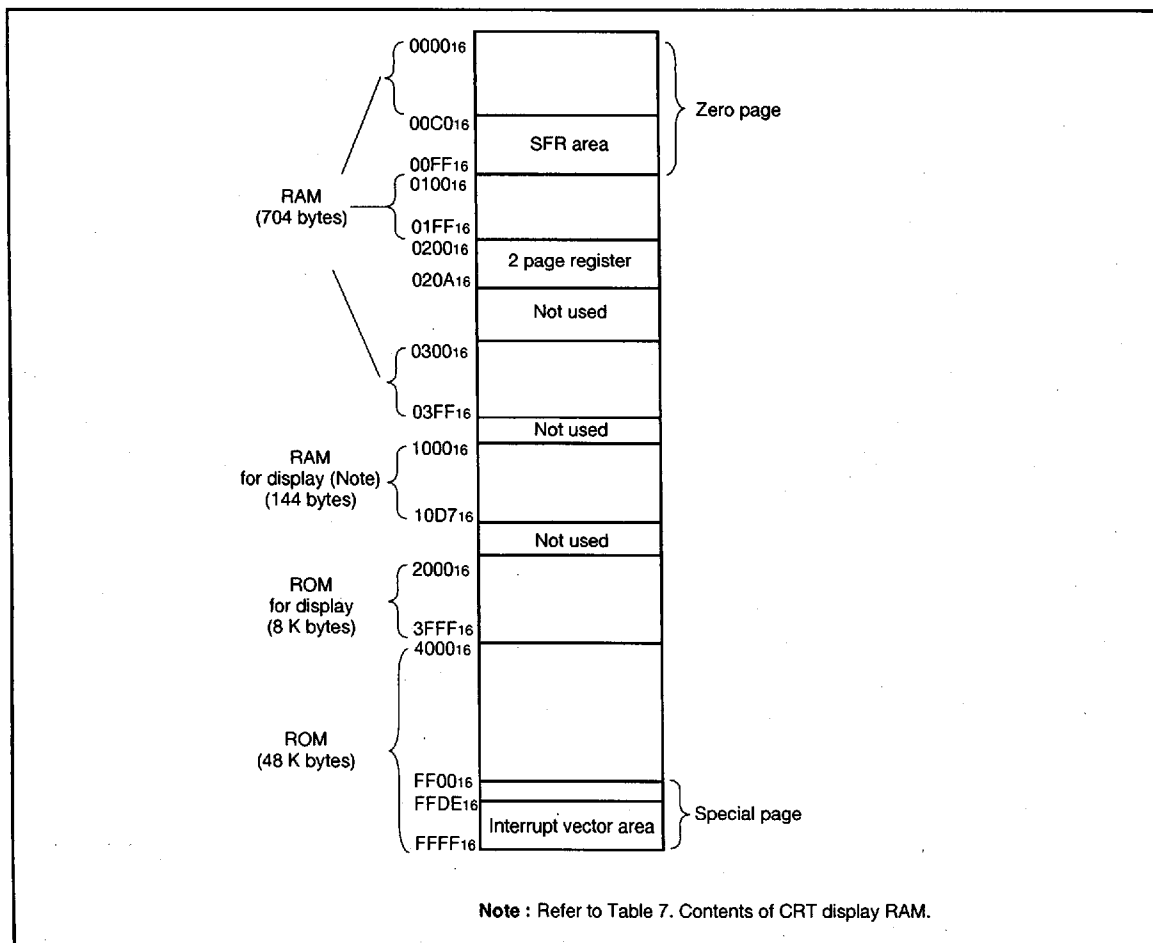


Fig. 2. Memory map

■ 6249828 0025293 622 ■

# M37204MC-XXXSP M37204EC-XXXSP, M37204ECSP

SINGLE-CHIP 8-BIT CMOS MICROCOMPUTER for VOLTAGE SYNTHESIZER  
and ON-SCREEN DISPLAY CONTROLLER

## ■ SFR area (addresses C0<sub>16</sub> to DF<sub>16</sub>)

■ : Nothing is allocated

▨ : Fix this bit to "0" (do not write "1")

0 : "0" immediately after reset

1 : "1" immediately after reset

? : undefined immediately after reset

| Address          | Register   | Bit allocation |     |     |     |     |      |      |      | State immediately after reset |      |      |   |   |   |    |   |                  |
|------------------|--|----------------|-----|-----|-----|-----|------|------|------|-------------------------------|------|------|---|---|---|----|---|------------------|
|                  |  | b7             |     |     |     |     |      | b0   |      | b7                            |      |      |   |   |   | b0 |   |                  |
| C0 <sub>16</sub> | Port P0 (P0)   |                |     |     |     |     |      |      |      |                               |      |      |   |   |   |    |   | ?                |
| C1 <sub>16</sub> | Port P0 direction register (D0)                        |                |     |     |     |     |      |      |      |                               |      |      |   |   |   |    |   | 00 <sub>16</sub> |
| C2 <sub>16</sub> | Port P1 (P1)   |                |     |     |     |     |      |      |      |                               |      |      |   |   |   |    |   | ?                |
| C3 <sub>16</sub> | Port P1 direction register (D1)                        |                |     |     |     |     |      |      |      |                               |      |      |   |   |   |    |   | 00 <sub>16</sub> |
| C4 <sub>16</sub> | Port P2 (P2)   |                |     |     |     |     |      |      |      |                               |      |      |   |   |   |    |   | ?                |
| C5 <sub>16</sub> | Port P2 direction register (D2)                        |                |     |     |     |     |      |      |      |                               |      |      |   |   |   |    |   | 00 <sub>16</sub> |
| C6 <sub>16</sub> | Port P3 (P3)   | ▨              |     |     |     |     |      |      |      | 0                             | ?    | ?    | ? | ? | ? | ?  | ? | ?                |
| C7 <sub>16</sub> | Port P3 direction register (D3)                        | ▨              |     |     |     |     |      |      |      | 0                             | 0    | 0    | 0 | 0 | 0 | 0  | 0 | 0                |
| C8 <sub>16</sub> | Port P4 (P4)   |                |     |     |     |     |      |      |      |                               |      |      |   |   |   |    |   | ?                |
| C9 <sub>16</sub> | Port P4 direction register (D4)                        |                |     |     |     |     |      |      |      |                               |      |      |   |   |   |    |   | 00 <sub>16</sub> |
| CA <sub>16</sub> | Port P5 (P5)   | ▨              |     |     |     |     |      | ▨    |      | 0                             | ?    | ?    | ? | ? | ? | ?  | ? | ?                |
| CB <sub>16</sub> | Port P5 control register (C5)                          | ▨              |     |     |     |     |      | ▨    |      | 0                             | 0    | 0    | 0 | 0 | 0 | 0  | 0 | 0                |
| CC <sub>16</sub> | Port P6 (P6)   |                |     |     |     |     |      |      |      |                               |      |      |   |   |   |    |   | ?                |
| CD <sub>16</sub> | Port P6 direction register (D6)                        |                |     |     |     |     |      |      |      |                               |      |      |   |   |   |    |   | 00 <sub>16</sub> |
| CE <sub>16</sub> | DA-H register (DA-H)                                   |                |     |     |     |     |      |      |      |                               |      |      |   |   |   |    |   | ?                |
| CF <sub>16</sub> | DA-L register (DA-L)                                   |                | ▨   |     |     |     |      |      |      | ?                             | 0    | ?    | ? | ? | ? | ?  | ? | ?                |
| D0 <sub>16</sub> | PWM0 register (PWM0)                                   |                |     |     |     |     |      |      |      |                               |      |      |   |   |   |    |   | ?                |
| D1 <sub>16</sub> | PWM1 register (PWM1)                                   |                |     |     |     |     |      |      |      |                               |      |      |   |   |   |    |   | ?                |
| D2 <sub>16</sub> | PWM2 register (PWM2)                                   |                |     |     |     |     |      |      |      |                               |      |      |   |   |   |    |   | ?                |
| D3 <sub>16</sub> | PWM3 register (PWM3)                                   |                |     |     |     |     |      |      |      |                               |      |      |   |   |   |    |   | ?                |
| D4 <sub>16</sub> | PWM4 register (PWM4)                                   |                |     |     |     |     |      |      |      |                               |      |      |   |   |   |    |   | ?                |
| D5 <sub>16</sub> | PWM output control register 1 (PW)                     |                | PW7 | PW6 | PW5 | PW4 | PW3  | PW2  | PW1  | PW0                           |      |      |   |   |   |    |   | 00 <sub>16</sub> |
| D6 <sub>16</sub> | PWM output control register 2 (PN)                     |                |     |     |     |     | PN4  | PN3  | PN2  | PN1                           | PN0  |      |   |   |   |    |   | 0 0 0 0 0 0 0 0  |
| D7 <sub>16</sub> | Interrupt interval determination register (RI)         |                |     |     |     |     |      |      |      |                               |      |      |   |   |   |    |   | ?                |
| D8 <sub>16</sub> | Interrupt interval determination control register (RE) |                |     |     |     |     | RE4  | RE3  | RE2  | RE1                           | RE0  |      |   |   |   |    |   | 0 0 0 0 0 0 0 0  |
| D9 <sub>16</sub> | Special serial I/O register (SSIO)                     |                |     |     |     |     |      |      |      |                               |      |      |   |   |   |    |   | ?                |
| DA <sub>16</sub> | Special mode register 1 (SB)                           |                | SB7 | SB6 | SB5 | SB4 | SB3  | SB2  | SB1  | SB0                           |      |      |   |   |   |    |   | 00 <sub>16</sub> |
| DB <sub>16</sub> | Special mode register 2 (SC)                           |                | SC7 | SC6 | SC5 | SC4 | SC3  | SC2  | SC1  | SC0                           |      |      |   |   |   |    |   | 00 <sub>16</sub> |
| DC <sub>16</sub> | Serial I/O1 mode register (SM1)                        |                |     |     |     |     | SM15 | SM14 | SM13 | SM12                          | SM11 | SM10 |   |   |   |    |   | 0 0 0 0 0 0 0 0  |
| DD <sub>16</sub> | Serial I/O1 register (SIO1)                            |                |     |     |     |     |      |      |      |                               |      |      |   |   |   |    |   | ?                |
| DE <sub>16</sub> | Serial I/O2 mode register (SM2)                        |                |     |     |     |     | SM25 | SM24 | SM23 | SM22                          | SM21 | SM20 |   |   |   |    |   | 0 0 0 0 0 0 0 0  |
| DF <sub>16</sub> | Serial I/O2 register (SIO2)                            |                |     |     |     |     |      |      |      |                               |      |      |   |   |   |    |   | ?                |

Fig. 3. Memory map of special function register (SFR) (1)

■ 6249828 0025294 569 ■





# M37204MC-XXXSP M37204EC-XXXSP, M37204ECSP

SINGLE-CHIP 8-BIT CMOS MICROCOMPUTER for VOLTAGE SYNTHESIZER  
and ON-SCREEN DISPLAY CONTROLLER

## ■ SFR area (addresses E0<sub>16</sub> to FF<sub>16</sub>)

- : Nothing is allocated
- ▨ : Fix this bit to "0" (do not write "1")
- ▩ : Fix this bit to "1" (do not write "0")
- 0 : "0" immediately after reset
- 1 : "1" immediately after reset
- ? : undefined immediately after reset

| Address          | Register                             | Bit allocation |      |       |       |       |       |       |      | State immediately after reset |    |    |    |    |    |    |    |   |   |   |   |   |   |   |
|------------------|--------------------------------------|----------------|------|-------|-------|-------|-------|-------|------|-------------------------------|----|----|----|----|----|----|----|---|---|---|---|---|---|---|
|                  |                                      | b7             | b6   | b5    | b4    | b3    | b2    | b1    | b0   | b7                            | b6 | b5 | b4 | b3 | b2 | b1 | b0 |   |   |   |   |   |   |   |
| E0 <sub>16</sub> | Horizontal position register (HR)    | HR5            | HR4  | HR3   | HR2   | HR1   | HR0   | 0     | 0    | 0                             | 0  | 0  | 0  | 0  | 0  | 0  | 0  | 0 | 0 | 0 | 0 | 0 | 0 |   |
| E1 <sub>16</sub> | Vertical position register 1 (CV1)   | CV16           | CV15 | CV14  | CV13  | CV12  | CV11  | CV10  | ?    | ?                             | ?  | ?  | ?  | ?  | ?  | ?  | ?  | ? | ? | ? | ? | ? | ? | ? |
| E2 <sub>16</sub> | Vertical position register 2 (CV2)   | CV26           | CV25 | CV24  | CV23  | CV22  | CV21  | CV20  | ?    | ?                             | ?  | ?  | ?  | ?  | ?  | ?  | ?  | ? | ? | ? | ? | ? | ? | ? |
| E3 <sub>16</sub> | Vertical position register 3 (CV3)   | CV36           | CV35 | CV34  | CV33  | CV32  | CV31  | CV30  | ?    | ?                             | ?  | ?  | ?  | ?  | ?  | ?  | ?  | ? | ? | ? | ? | ? | ? | ? |
| E4 <sub>16</sub> | Character size register (CS)         | CS7            | CS31 | CS30  | CS21  | CS20  | CS11  | CS10  | 0    | 0                             | ?  | ?  | ?  | ?  | ?  | ?  | 0  | 0 | ? | ? | ? | ? | ? | ? |
| E5 <sub>16</sub> | Border selection register (MD)       |                | MD31 | MD30  | MD21  | MD20  | MD11  | MD10  | 0    | 0                             | 0  | 0  | 0  | 0  | 0  | 0  | 0  | 0 | 0 | 0 | 0 | 0 | 0 | 0 |
| E6 <sub>16</sub> | Color register 0 (CO0)               |                | CO05 | CO04  | CO03  | CO02  | CO01  | CO00  | 0    | 0                             | 0  | 0  | 0  | 0  | 0  | 0  | 0  | 0 | 0 | 0 | 0 | 0 | 0 | 0 |
| E7 <sub>16</sub> | Color register 1 (CO1)               |                | CO15 | CO04  | CO13  | CO12  | CO11  | CO10  | 0    | 0                             | 0  | 0  | 0  | 0  | 0  | 0  | 0  | 0 | 0 | 0 | 0 | 0 | 0 | 0 |
| E8 <sub>16</sub> | Color register 2 (CO2)               |                | CO25 | CO24  | CO23  | CO22  | CO21  | CO20  | 0    | 0                             | 0  | 0  | 0  | 0  | 0  | 0  | 0  | 0 | 0 | 0 | 0 | 0 | 0 | 0 |
| E9 <sub>16</sub> | Color register 3 (CO3)               |                | CO35 | CO34  | CO33  | CO32  | CO31  | CO30  | 0    | 0                             | 0  | 0  | 0  | 0  | 0  | 0  | 0  | 0 | 0 | 0 | 0 | 0 | 0 | 0 |
| EA <sub>16</sub> | CRT control register (CC)            | CC6            | CC5  | CC4   | CC3   | CC2   | CC1   | CC0   | 0    | 0                             | 0  | 0  | 0  | 0  | 0  | 0  | 0  | 0 | 0 | 0 | 0 | 0 | 0 | 0 |
| EB <sub>16</sub> | Display block counter (CBC)          |                |      |       | CBC3  | CBC2  | CBC1  | CBC0  | 0    | 0                             | 0  | 0  | 0  | 0  | 0  | 0  | 0  | 0 | 0 | 0 | 0 | 0 | 0 | 0 |
| EC <sub>16</sub> | CRT port control register (CC)       | OP7            | OP6  | OP5   | OUT   | I     | R/G/B | VSYG  | HSYG | 00 <sub>16</sub>              |    |    |    |    |    |    |    |   |   |   |   |   |   |   |
| ED <sub>16</sub> | Wipe control register (SL)           | SL6            | SL5  | SL4   | SL3   | SL2   | SL1   | SL0   | 0    | 0                             | 0  | 0  | 0  | 0  | 0  | 0  | 0  | 0 | 0 | 0 | 0 | 0 | 0 | 0 |
| EE <sub>16</sub> | Wipe start register (SLS)            |                |      |       |       |       |       |       |      | ?                             |    |    |    |    |    |    |    |   |   |   |   |   |   |   |
| EF <sub>16</sub> | A-D control register 1 (ADM)         |                |      | ADM4  |       | ADM2  | ADM1  | ADM0  | 0    | 0                             | 0  | 0  | 0  | 0  | 0  | 0  | 0  | 0 | 0 | 0 | 0 | 0 | 0 | 0 |
| F0 <sub>16</sub> | Timer 1 (TM1)                        |                |      |       |       |       |       |       |      | FF <sub>16</sub>              |    |    |    |    |    |    |    |   |   |   |   |   |   |   |
| F1 <sub>16</sub> | Timer 2 (TM2)                        |                |      |       |       |       |       |       |      | 07 <sub>16</sub>              |    |    |    |    |    |    |    |   |   |   |   |   |   |   |
| F2 <sub>16</sub> | Timer 3 (TM3)                        |                |      |       |       |       |       |       |      | FF <sub>16</sub>              |    |    |    |    |    |    |    |   |   |   |   |   |   |   |
| F3 <sub>16</sub> | Timer 4 (TM4)                        |                |      |       |       |       |       |       |      | 07 <sub>16</sub>              |    |    |    |    |    |    |    |   |   |   |   |   |   |   |
| F4 <sub>16</sub> | Timer 12 mode register (T12M)        |                |      | T12M4 | T12M3 | T12M2 | T12M1 | T12M0 | 0    | 0                             | 0  | 0  | 0  | 0  | 0  | 0  | 0  | 0 | 0 | 0 | 0 | 0 | 0 | 0 |
| F5 <sub>16</sub> | Timer 34 mode register (T34M)        |                |      | T34M4 | T34M3 | T34M2 | T34M1 | T34M0 | 0    | 0                             | 0  | 0  | 0  | 0  | 0  | 0  | 0  | 0 | 0 | 0 | 0 | 0 | 0 | 0 |
| F6 <sub>16</sub> | PWM5 register (PWM5)                 |                |      |       |       |       |       |       |      | ?                             |    |    |    |    |    |    |    |   |   |   |   |   |   |   |
| F7 <sub>16</sub> | PWM6 register (PWM6)                 |                |      |       |       |       |       |       |      | ?                             |    |    |    |    |    |    |    |   |   |   |   |   |   |   |
| F8 <sub>16</sub> | PWM7 register (PWM7)                 |                |      |       |       |       |       |       |      | ?                             |    |    |    |    |    |    |    |   |   |   |   |   |   |   |
| F9 <sub>16</sub> | PWM8 register (PWM8)                 |                |      |       |       |       |       |       |      | ?                             |    |    |    |    |    |    |    |   |   |   |   |   |   |   |
| FA <sub>16</sub> | PWM9 register (PWM9)                 |                |      |       |       |       |       |       |      | ?                             |    |    |    |    |    |    |    |   |   |   |   |   |   |   |
| FB <sub>16</sub> | CPU mode register (CPUM)             |                |      | CM4   |       | CM2   | CM1   | CM0   | 1    | 1                             | 1  | 1  | 1  | 1  | 1  | 1  | 1  | 1 | 1 | 1 | 1 | 1 | 1 | 1 |
| FC <sub>16</sub> | Interrupt request register 1 (IREQ1) |                | VSCR | CRTR  | TM4R  | TM3R  | TM2R  | TM1R  | 0    | 0                             | 0  | 0  | 0  | 0  | 0  | 0  | 0  | 0 | 0 | 0 | 0 | 0 | 0 | 0 |
| FD <sub>16</sub> | Interrupt request register 2 (IREQ2) |                |      | MSR   | S2R   | S1R   | 1T2R  | 1T1R  | 0    | 0                             | 0  | 0  | 0  | 0  | 0  | 0  | 0  | 0 | 0 | 0 | 0 | 0 | 0 | 0 |
| FE <sub>16</sub> | Interrupt control register 1 (ICON1) |                | VSCF | CRTE  | TM4E  | TM3E  | TM2E  | TM1E  | 0    | 0                             | 0  | 0  | 0  | 0  | 0  | 0  | 0  | 0 | 0 | 0 | 0 | 0 | 0 | 0 |
| FF <sub>16</sub> | Interrupt control register 2 (ICON2) |                |      | MSE   | S2E   | S1E   | 1T2E  | 1T1E  | 0    | 0                             | 0  | 0  | 0  | 0  | 0  | 0  | 0  | 0 | 0 | 0 | 0 | 0 | 0 | 0 |

Fig. 4. Memory map of special function register (SFR) (2)

■ 6249828 0025295 4T5 ■



# M37204MC-XXXSP M37204EC-XXXSP, M37204ECSP

SINGLE-CHIP 8-BIT CMOS MICROCOMPUTER for VOLTAGE SYNTHESIZER  
and ON-SCREEN DISPLAY CONTROLLER

## ■ SFR area (addresses 200<sub>16</sub> to 20A<sub>16</sub>)

- : Nothing is allocated
- ▨ : Fix this bit to "0" (do not write "1")
- 0 : "0" immediately after reset

| Address           | Register                                   | Bit allocation |  |  |  |      |      | State immediately after reset |      |      |      |   |   |   |   |   |   |
|-------------------|--|----------------|--|--|--|------|------|-------------------------------|------|------|------|---|---|---|---|---|---|
|                   |  | b7             |  |  |  | b0   | b7   |                               |      |      | b0   |   |   |   |   |   |   |
| 200 <sub>16</sub> |  | ■              |  |  |  |      |      | ?                             |      |      |      |   |   |   |   |   |   |
| 201 <sub>16</sub> |  | ■              |  |  |  |      |      | ?                             |      |      |      |   |   |   |   |   |   |
| 202 <sub>16</sub> |  | ■              |  |  |  |      |      | ?                             |      |      |      |   |   |   |   |   |   |
| 203 <sub>16</sub> |  | ■              |  |  |  |      |      | ?                             |      |      |      |   |   |   |   |   |   |
| 204 <sub>16</sub> |  | ■              |  |  |  |      |      | ?                             |      |      |      |   |   |   |   |   |   |
| 205 <sub>16</sub> |  | ■              |  |  |  |      |      | ?                             |      |      |      |   |   |   |   |   |   |
| 206 <sub>16</sub> | Port control register (P7D)                |                |  |  |  | DA   | P71  | P70                           | 0    | 0    | 0    | 0 | 0 | 0 | ? | ? |   |
| 207 <sub>16</sub> | Shift register input switch register (SIC) |                |  |  |  |      | SIC1 | SIC0                          | 0    | 0    | 0    | 0 | 0 | 0 | 0 | 0 |   |
| 208 <sub>16</sub> | CRT control register 2 (CBR)               |                |  |  |  | CBR4 | CBR3 | CBR2                          | CBR1 | CBR0 | 0    | 0 | 0 | 0 | 0 | 0 | 0 |
| 209 <sub>16</sub> | CRT clock selection register (OP)          |                |  |  |  |      | OP11 | OP10                          | 0    | 0    | 0    | 0 | 0 | 0 | 0 | 0 |   |
| 20A <sub>16</sub> | AD control register 2 (ADC)                |                |  |  |  | ADC5 | ADC4 | ADC3                          | ADC2 | ADC1 | ADC0 | 0 | 0 | 0 | 0 | 0 | 0 |

Fig. 5. Memory map of 2 page register

- : Nothing is allocated
- 1 : "1" immediately after reset
- ? : undefined immediately after reset

| Register                       | Bit allocation |   |   |   |   |   |    | State immediately after reset          |   |   |   |   |   |    |   |   |
|--------------------------------|----------------|---|---|---|---|---|----|--|---|---|---|---|---|----|---|---|
|                                | b7             |   |   |   |   |   | b0 | b7                                     |   |   |   |   |   | b0 |   |   |
| Processor status register (PS) | N              | V | T | B | D | I | Z  | C                                      | ? | ? | ? | ? | ? | 1  | ? | ? |
| Program counter (PCH)          | ■              |   |   |   |   |   |    | Contents of address FFFF <sub>16</sub> |   |   |   |   |   |    |   |   |
| Program counter (PCL)          | ■              |   |   |   |   |   |    | Contents of address FFFE <sub>16</sub> |   |   |   |   |   |    |   |   |

Fig. 6. Internal state of processor status register and program counter at reset

■ 6249828 0025296 331 ■

# M37204MC-XXXSP M37204EC-XXXSP, M37204ECSP

SINGLE-CHIP 8-BIT CMOS MICROCOMPUTER for VOLTAGE SYNTHESIZER  
and ON-SCREEN DISPLAY CONTROLLER

## INTERRUPTS

Interrupts can be caused by 13 different sources consisting of 3 external, 9 internal, 1 software, and reset. Interrupts are vectored interrupts with priorities shown in Table 1. Reset is also included in the table because its operation is similar to an interrupt.

When an interrupt is accepted,

- (1) The contents of the program counter and processor status register are automatically stored into the stack.
- (2) The interrupt disable flag I is set to "1" and the corresponding interrupt request bit is set to "0."
- (3) The jump destination address is read from and the vector address enters the program counter.

Other interrupts are disabled when the interrupt disable flag is set to "1."

All interrupts except the BRK instruction interrupt have an interrupt request bit and an interrupt enable bit. The interrupt request bits are in interrupt request registers 1 and 2 and the interrupt enable bits are in interrupt control registers 1 and 2. Figure 7 shows the structure of the interrupt-related registers.

Interrupts other than the BRK instruction interrupt and reset are accepted when the interrupt enable bit is "1," interrupt request bit is "1," and the interrupt disable flag is "0." The interrupt request bit can be set to "0" by a program, but not set to "1." The interrupt enable bit can be set to "0" and "1" by a program.

Reset is treated as a non-maskable interrupt with the highest priority. Figure 8 shows interrupt control.

## Interrupt Causes

- (1) VSYNC and CRT interrupts

The VSYNC interrupt is an interrupt request synchronized with the vertical sync signal.

The CRT interrupt occurs after character block display to the CRT is completed.

- (2) INT1, INT2 interrupts

With an external interrupt input, the system detects that the level of a pin changes from "L" to "H" or from "H" to "L," and generates an interrupt request. The input active edge can be selected by bits 3 and 4 of the interrupt interval determination control register (address 00D816): when this bit is "0," a change from "L" to "H" is detected; when it is "1," a change from "H" to "L" is detected. Note that all bits are cleared to "0" at reset.

- (3) Timer 1, 2, 3 and 4 interrupts

An interrupt is generated by an overflow of timer 1, 2, 3 or 4.

- (4) Serial I/O1, serial I/O2 interrupts

This is an interrupt request from the clock synchronous serial I/O function.

- (5) f(XIN)/4096 interrupt

This interrupt occurs regularly with a f(XIN)/4096 period. Set bit 0 of the PWM output control register 1 to "0."

- (6) BRK instruction interrupt

This software interrupt has the least significant priority. It does not have a corresponding interrupt enable bit, and it is not affected by the interrupt disable flag I (non-maskable).

Table 1. Interrupt vector addresses and priority

| Interrupt source          | Priority | Vector addresses | Remarks                           |
|---------------------------|----------|------------------|-----------------------------------|
| Reset                     | 1        | FFFF16, FFFE16   | Non-maskable                      |
| CRT interrupt             | 2        | FFFD16, FFFC16   |                                   |
| INT2 interrupt            | 3        | FFFB16, FFFA16   | Active edge selectable            |
| INT1 interrupt            | 4        | FFF916, FFF816   | Active edge selectable            |
| Serial I/O2 interrupt     | 5        | FFF716, FFF616   |                                   |
| Timer 4 interrupt         | 6        | FFF516, FFF416   |                                   |
| f(XIN)/4096 interrupt     | 7        | FFF316, FFF216   |                                   |
| VSYNC interrupt           | 8        | FFF116, FFF016   | Active edge selectable            |
| Timer 3 interrupt         | 9        | FFEF16, FFEE16   |                                   |
| Timer 2 interrupt         | 10       | FFED16, FFEC16   |                                   |
| Timer 1 interrupt         | 11       | FFEB16, FFEA16   |                                   |
| Serial I/O1 interrupt     | 12       | FFE916, FFE816   |                                   |
| BRK instruction interrupt | 13       | FFDF16, FFDE16   | Non-maskable (software interrupt) |

**M37204MC-XXXSP**  
**M37204EC-XXXSP, M37204ECSP**

SINGLE-CHIP 8-BIT CMOS MICROCOMPUTER for VOLTAGE SYNTHESIZER  
 and ON-SCREEN DISPLAY CONTROLLER

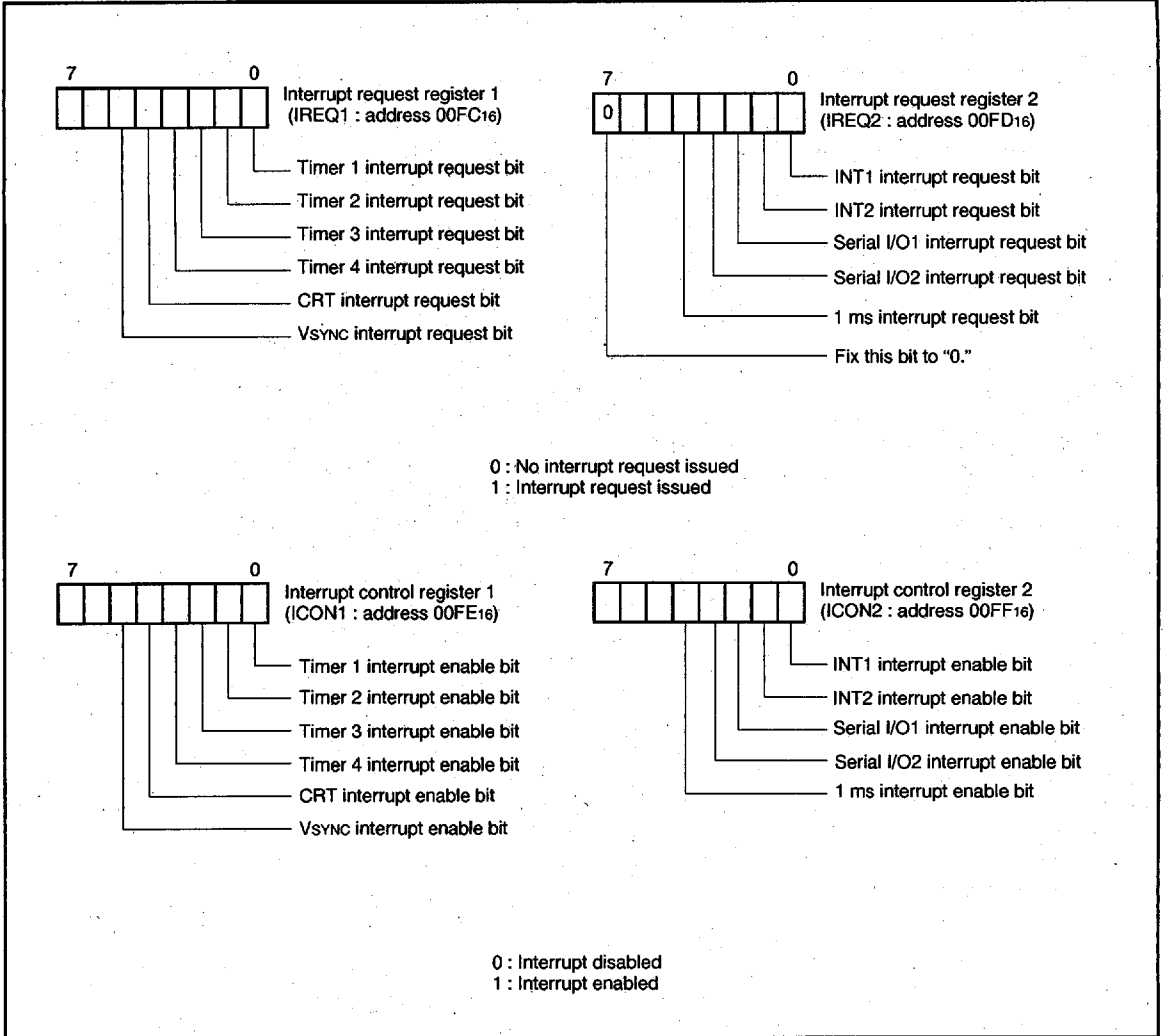


Fig. 7. Structure of interrupt-related registers

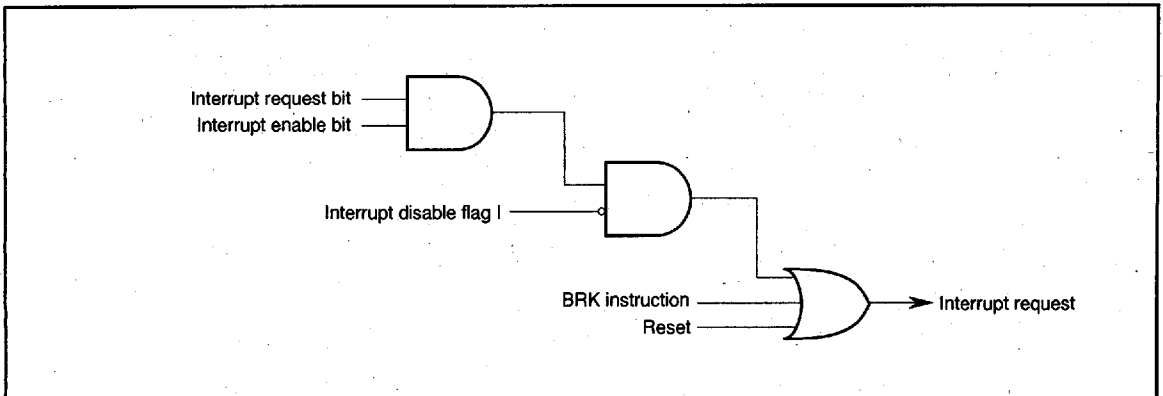


Fig. 8. Interrupt control

# M37204MC-XXXSP M37204EC-XXXSP, M37204ECSP

SINGLE-CHIP 8-BIT CMOS MICROCOMPUTER for VOLTAGE SYNTHESIZER  
and ON-SCREEN DISPLAY CONTROLLER

## TIMERS

The M37204MC-XXXSP has 4 timers: timer 1, timer 2, timer 3, and timer 4. All timers are 8-bit timers with the 8-bit timer latch. The timer block diagram is shown in Figure 10.

All of the timers count down and their divide ratio is  $1/(n+1)$ , where  $n$  is the value of timer latch. The value is set to a timer at the same time by writing a count value to the corresponding timer latch (addresses 00F016 to 00F316: timers 1 to 4).

The count value is decremented by 1. The timer interrupt request bit is set to "1" by a timer overflow at the next count pulse after the count value reaches "0016."

### (1) Timer 1

Timer 1 can select one of the following count sources:

- $f(XIN)/16$
- $f(XIN)/4096$

The count source of timer 1 is selected by setting bit 0 of the timer 12 mode register (address 00F416).

Timer 1 interrupt request occurs at timer 1 overflow. And besides, the timer 1 overflow signal divided by 2 (TIM1) is output from the  $I/P5s/TIM1$  pin.

### (2) Timer 2

Timer 2 can select one of the following count sources:

- $f(XIN)/16$
- Timer 1 overflow signal
- External clock from the AD6/P32/TIM2 pin

The count source of timer 2 is selected by setting bits 4 and 1 of the timer 12 mode register (address 00F416). When timer 1 overflow signal is a count source for the timer 2, the timer 1 functions as an 8-bit prescaler.

Timer 2 interrupt request occurs at timer 2 overflow.

### (3) Timer 3

Timer 3 can select one of the following count sources:

- $f(XIN)/16$
- External clock from the P33/TIM3 pin

The count source of timer 3 is selected by setting bit 0 of the timer 34 mode register 2 (address 00F516).

Timer 3 interrupt request occurs at timer 3 overflow.

### (4) Timer 4

Timer 4 can select one of the following count sources:

- $f(XIN)/16$
- $f(XIN)/2$
- Timer 3 overflow signal

The count source of timer 3 is selected by setting bits 4 and 1 of the timer 34 mode register (address 00F516). When timer 3 overflow signal is a count source for the timer 4, the timer 3 functions as an 8-bit prescaler.

Timer 4 interrupt request occurs at timer 4 overflow. And besides, the timer 4 overflow signal is also used as the clock source of special serial I/O.

At reset, timers 3 and 4 are connected by hardware and "FF16" is automatically set in timer 3; "0716" in timer 4. The  $f(XIN)/16$  is selected as the timer 3 count source. The internal reset is released by timer 4 overflow at these state, the internal clock is connected.

At execution of the STP instruction, timers 3 and 4 are connected by hardware and "FF16" is automatically set in timer 3; "0716" in timer 4. However, the  $f(XIN)/16$  is not selected as the timer 3 count source. So set bit 0 of the timer 34 mode register (address 00F516) to "0" before the execution of the STP instruction ( $f(XIN)/16$  is selected as the timer 3 count source). The internal STP state is released by timer 4 overflow at these state, the internal clock is connected.

Because of this, the program starts with stable clock.

The structure of timer-related registers is shown in Figure 9.

**M37204MC-XXXSP**  
**M37204EC-XXXSP, M37204ECSP**

SINGLE-CHIP 8-BIT CMOS MICROCOMPUTER for VOLTAGE SYNTHESIZER  
 and ON-SCREEN DISPLAY CONTROLLER

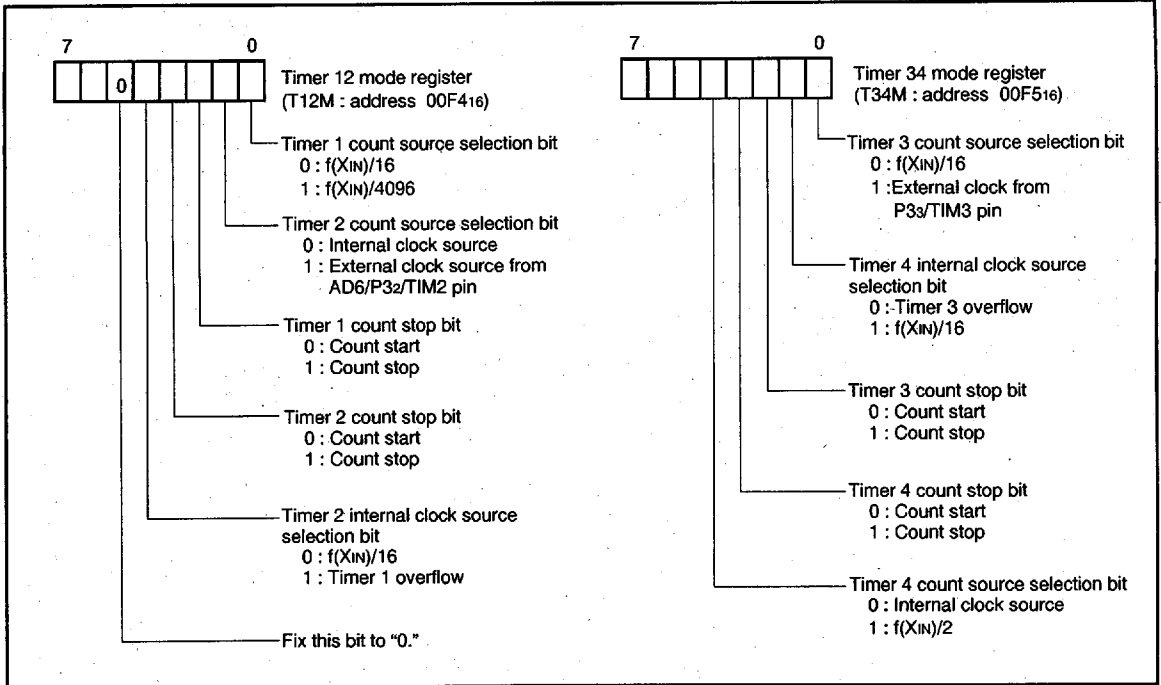


Fig. 9. Structure of timer-related registers .

6249828 0025300 692

**M37204MC-XXXSP**  
**M37204EC-XXXSP, M37204ECSP**

SINGLE-CHIP 8-BIT CMOS MICROCOMPUTER for VOLTAGE SYNTHESIZER  
 and ON-SCREEN DISPLAY CONTROLLER

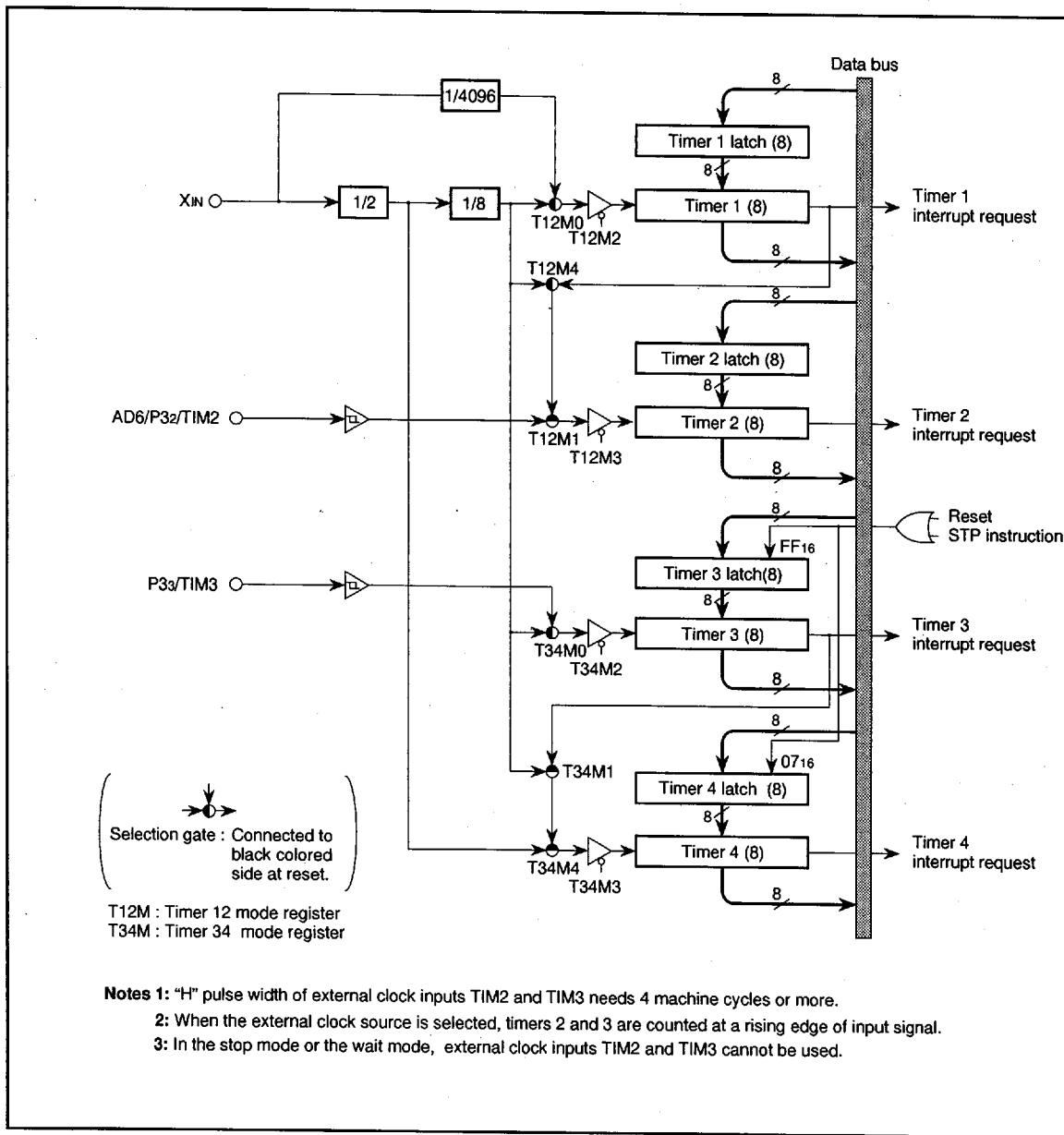


Fig. 10. Timer block diagram

6249828 0025301 529

# M37204MC-XXXSP M37204EC-XXXSP, M37204ECSP

SINGLE-CHIP 8-BIT CMOS MICROCOMPUTER for VOLTAGE SYNTHESIZER and ON-SCREEN DISPLAY CONTROLLER

## SERIAL I/O

The M37204MC-XXXSP has 2 built-in serial I/Os (serial I/O1, serial I/O2) which can either transmit or receive 8-bit data in the serial clock synchronous mode. Serial I/O1 has the same function as serial I/O2. Serial I/O1 and serial I/O2 are referred as "serial I/O" hereafter.

The serial I/O block diagram is shown in Figure 11. The synchronizing clock I/O pin (SCLK<sub>i</sub>), and data I/O pins (SOUT<sub>i</sub>, SIN<sub>i</sub>), receive enable signal output pin ( $\overline{\text{SRDY}}_i$ ) also function as port P4.

Bit 2 of the serial I/O mode register (addresses 00DC16, 00DE16) selects whether the synchronizing clock is supplied internally or externally (from the pins P45/SCLK2/SCL, P41/SCLK1). When an internal clock is selected, bits 1 and 0 select whether f(XIN) is divided by 4, 16, 32, or 64. To use pins for serial I/O, set the corresponding bits

of the port P4 direction register (address 00C916) to "0." Also to use the serial I/O2 with internal clock, set bit 1 of the special mode register 1 (address 00DA16) to "1."

The operation of the serial I/O function is described below. The function of the serial I/O differs depending on the clock source; external clock or internal clock.

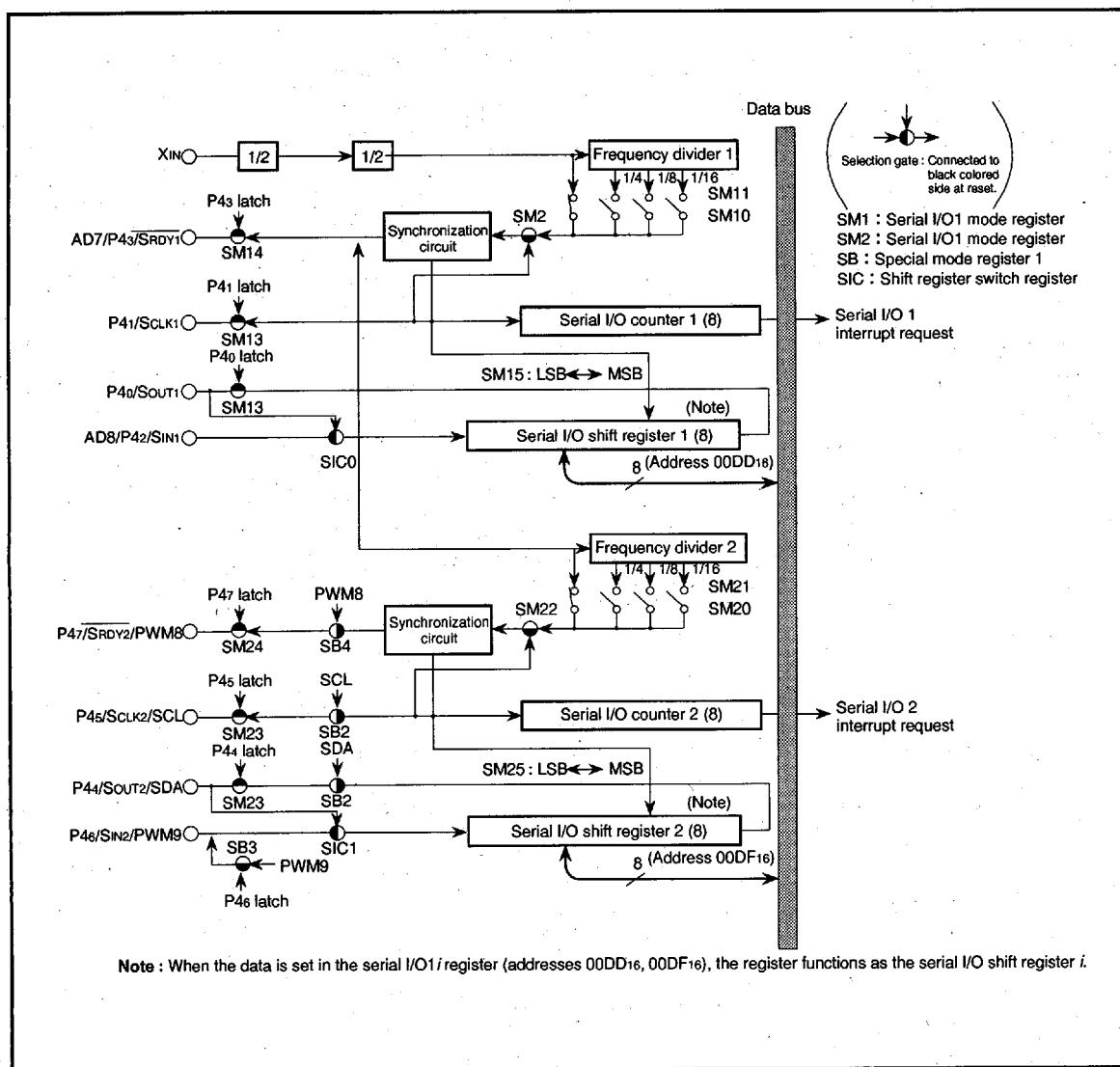


Fig. 11. Serial I/O block diagram



**M37204MC-XXXSP**  
**M37204EC-XXXSP, M37204ECSP**

SINGLE-CHIP 8-BIT CMOS MICROCOMPUTER for VOLTAGE SYNTHESIZER  
 and ON-SCREEN DISPLAY CONTROLLER

Internal clock—the  $\overline{SRDY}_i$  signal goes to "H" during write cycle by writing data into the serial I/O register (addresses 00DD16, 00DF16). After the write cycle, the  $\overline{SRDY}_i$  signal goes to "L" (receive enable state). The  $\overline{SRDY}_i$  signal goes to "H" at the next falling edge of the transfer clock for the serial I/O register.

The serial I/O counter  $i$  is set to "7" during write cycle into the serial I/O register (address 00DD16), and transfer clock goes "H" forcibly. At each falling edge of the transfer clock after the write cycle, serial data is output from the  $SOUT_i$  pin. Transfer direction can be selected by bit 5 of the serial I/O mode register. At each rising edge of the transfer clock, data is input from the  $SIN_i$  pin and data in the serial I/O register is shifted 1 bit.

After the transfer clock has counted 8 times, the serial I/O counter becomes "0" and the transfer clock stops at "H." At this time the interrupt request bit is set to "1."

External clock—when an external clock is selected as the clock source, the interrupt request is set to "1" after the transfer clock has counted 8 times. However, transfer operation does not stop, so control the clock externally. Use the external clock of 1 MHz or less with a duty cycle of 50%.

The serial I/O timing is shown in Figure 12. When using an external clock for transfer, the external clock must be held at "H" for initializing the serial I/O counter  $i$ . When switching between an internal clock and an external clock, do not switch during transfer. Also, be sure to initialize the serial I/O counter after switching.

**Notes 1:** On programming, note that the serial I/O counter  $i$  is set by writing to the serial I/O register with the bit managing instructions as SEB and CLB instructions.

**2:** When an external clock is used as the synchronizing clock, write transmit data to the serial I/O register at "H" of the transfer clock input level.

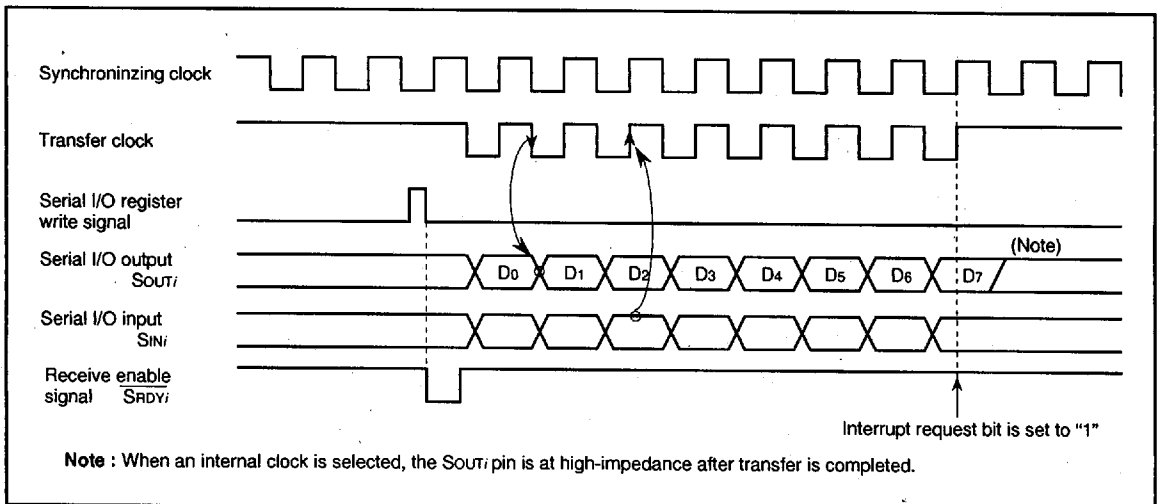


Fig. 12. Serial I/O timing (for LSB first)

■ 6249828 0025303 3T1 ■

# M37204MC-XXXSP M37204EC-XXXSP, M37204ECSP

SINGLE-CHIP 8-BIT CMOS MICROCOMPUTER for VOLTAGE SYNTHESIZER  
and ON-SCREEN DISPLAY CONTROLLER

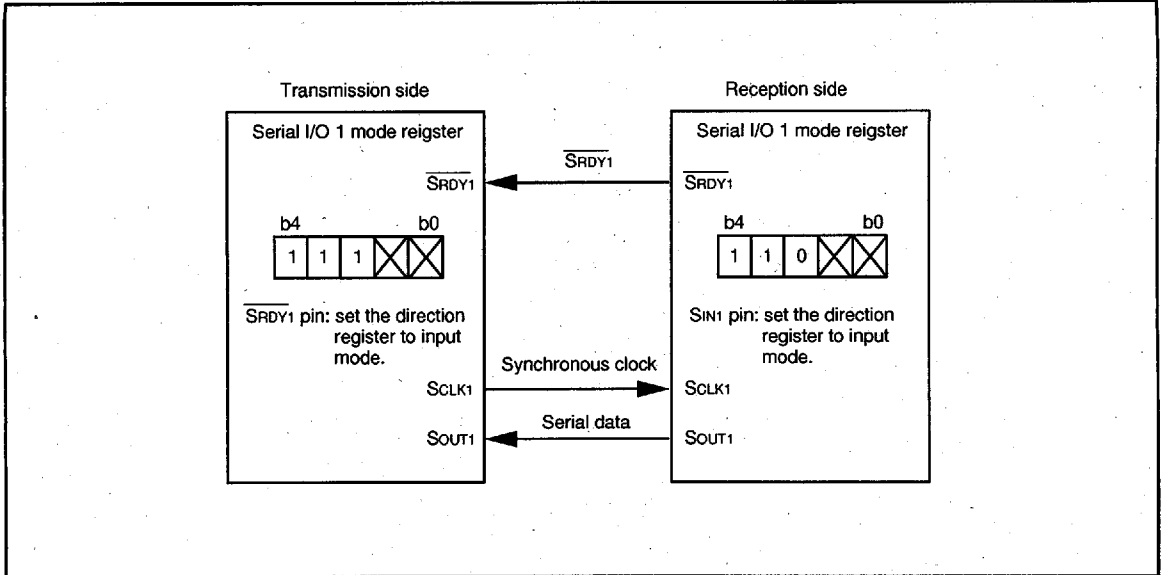


Fig. 13. Structure of serial I/O mode register

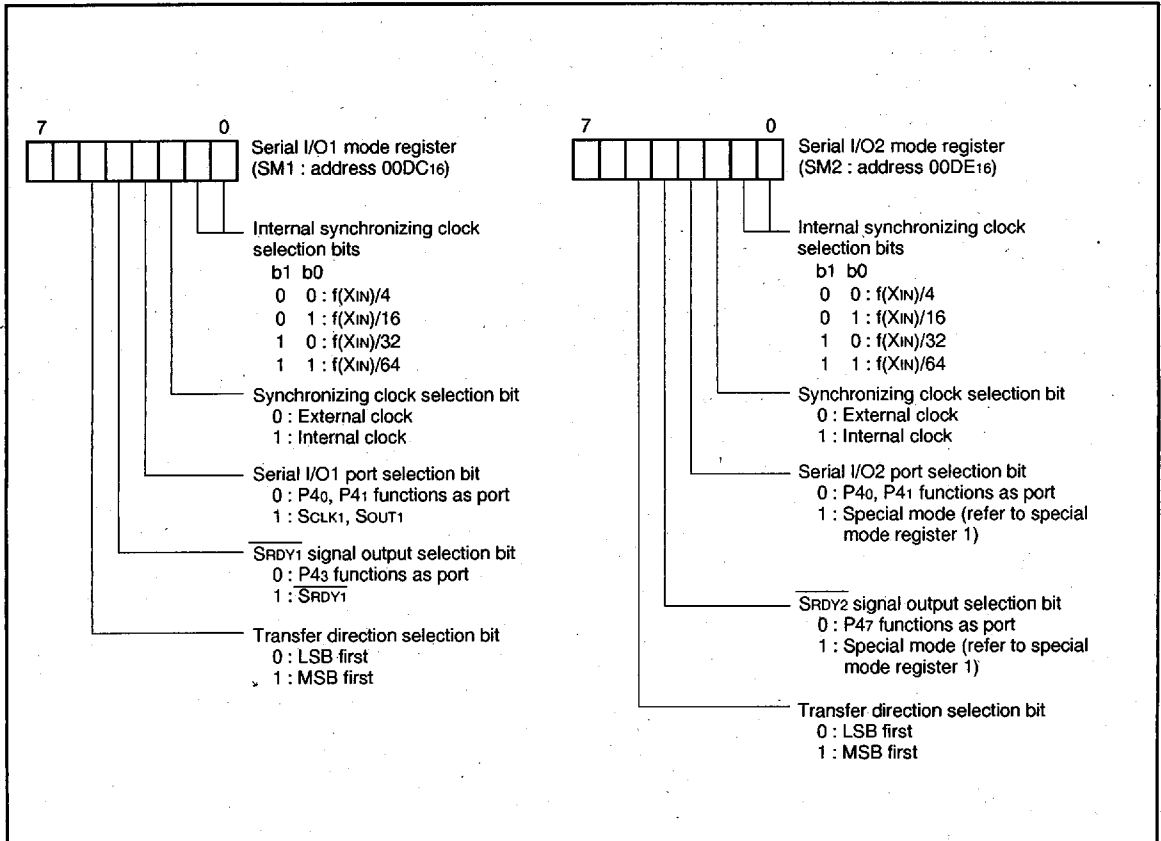


Fig. 14. Structure of serial I/O mode registers

6249828 0025304 238



# M37204MC-XXXSP M37204EC-XXXSP, M37204ECSP

SINGLE-CHIP 8-BIT CMOS MICROCOMPUTER for VOLTAGE SYNTHESIZER  
and ON-SCREEN DISPLAY CONTROLLER

## SPECIAL SERIAL I/O

The M37204MC-XXXSP has a special serial I/O circuit that can be reception or transmission of serial data in conformity with I<sup>2</sup>C (Inter IC) bus format.

I<sup>2</sup>C bus is a two line directional serial bus developed by Philips to transfer and control data among internal ICs of a machinery. Ports of special serial I/O are also used as those of serial I/O2. So special I/O cannot be used when using serial I/O2.

The M37204MC-XXXSP's special serial I/O is not included the clock synchronization function and the arbitration detectable function at multi-master.

Figure 15 shows the special serial I/O block diagram. Operations of master transmission and master reception with special serial I/O are explained in the following:

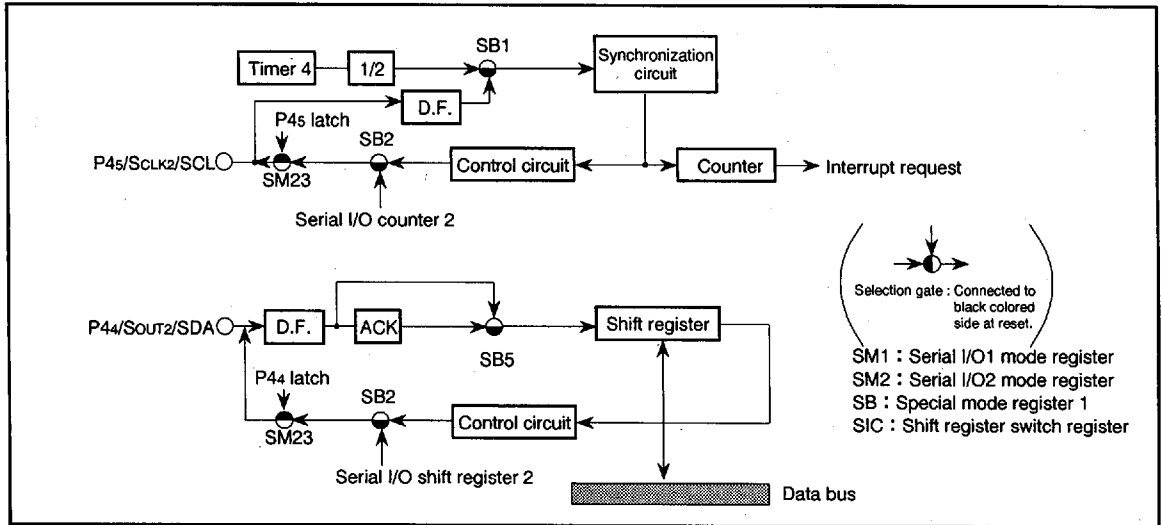


Fig. 15. Special serial I/O block diagram

### (1) Master transmission example

- ① To generate an interrupt at the end of transmission, set bit 7 of the special mode register 2 (address 00DB16) to "1" (select the special serial I/O interrupt).
- ② Then set bit 3 of the interrupt control register 2 (address 00FF16) to "1" (enable the serial I/O2 interrupt). Also, set the interrupt disable flag I to "0" by the CLI instruction.
- ③ The output signals SDA and SCL at the master transmission are output from ports P44 and P45. Set all bits (bits 4 and 5) corresponding to P44 and P45 of the port P4 register (address 00C816) and the port P4 direction register (address 00C916) to "1."
- ④ Set the transmission clock. The transmission clock uses the overflow signal of timer 4. Set appropriate value in timer 4 and the timer mode register 2 (For instance, if  $f(X_{IN})/2$  is selected as the clock source of timer 4 and 416 is set in timer 4, the master transmission clock frequency is 25 kHz at  $f(X_{IN}) = 4$  MHz).
- ⑤ Set contents value of the special mode register 2 (address 00DB16). (Ordinary, the value is "8316")
- ⑥ Set bit 3 of the serial I/O2 mode register (address 00DE16). After that set the special mode register 1 (address 00DE16). Figure 17 shows the structure of special mode registers 1 and 2.
- ⑦ Write the next data to be transmitted in the special serial I/O register (address 00D916). Immediately after this, set "0" to bits 0 and 1 of the serial mode register 2 to make both SDA and SCL output to "L." This is for arbitration. The start signal has been completed. The hardware automatically sends out data of 9-clock cycle. The 9th

clock is for ACK reception and output level becomes "H" at this clock. If other master outputs the start signal to transmit data simultaneously with this 9th clock, it is not detected as an arbitration lost.

When the ACK bit has been transmitted, bit 3 of the interrupt request register 2 is set to "1" (occurrence of interrupt request), notifying the end of data transmission.

- ⑧ To transmit data successively, write data to be sent to the special serial I/O register, and enable an interrupt again. By repeating this procedure, unlimited number of bytes can be transmitted.
- ⑨ To terminate data transfer set bits 0 and 1 of the special mode register 2 to "0."
- ⑩ Set SCL (bit 1) to "1."
- ⑪ Then SDA (bit 0) to "1." This procedure transmits the stop signal.

Figure 16 shows master transmission timing explained above.



**M37204MC-XXXSP**  
**M37204EC-XXXSP, M37204ECSP**

SINGLE-CHIP 8-BIT CMOS MICROCOMPUTER for VOLTAGE SYNTHESIZER  
 and ON-SCREEN DISPLAY CONTROLLER

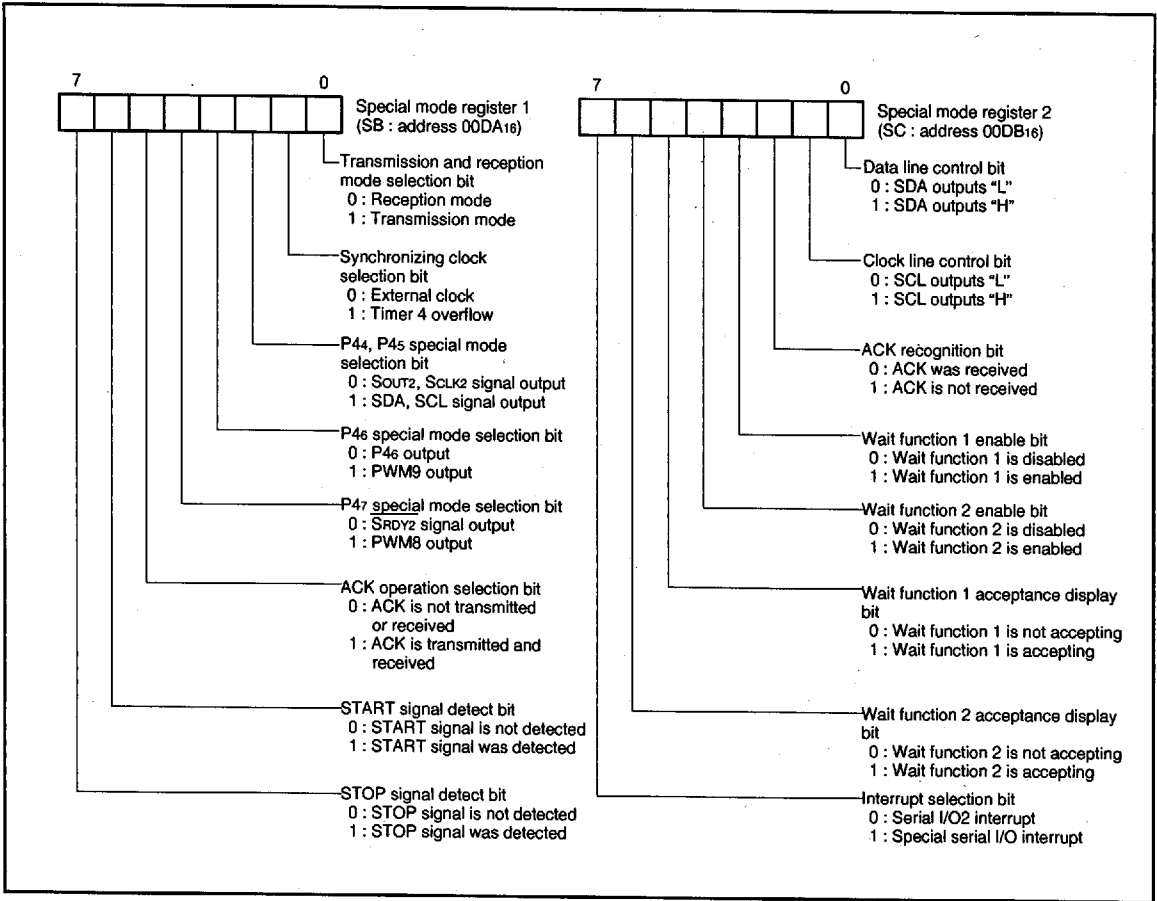


Fig. 18. Structure of special mode registers

# M37204MC-XXXSP M37204EC-XXXSP, M37204ECSP

SINGLE-CHIP 8-BIT CMOS MICROCOMPUTER for VOLTAGE SYNTHESIZER  
and ON-SCREEN DISPLAY CONTROLLER

### (1) Serial I/O Common Transmission/Reception Mode

By writing "1" to bit 0 of the serial I/O control register, signals SIN and SOUT are switched internally to be able to transmit or receive the serial data.

Figure 20 shows signals on serial I/O common transmission/reception mode.

**Note :** When receiving the serial data after writing "FF16" to the serial I/O register.

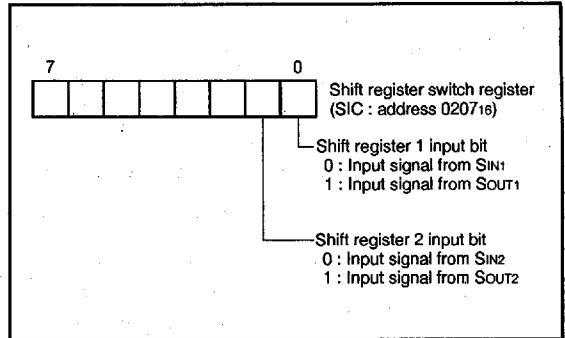


Fig. 19. Structure of shift register switch register

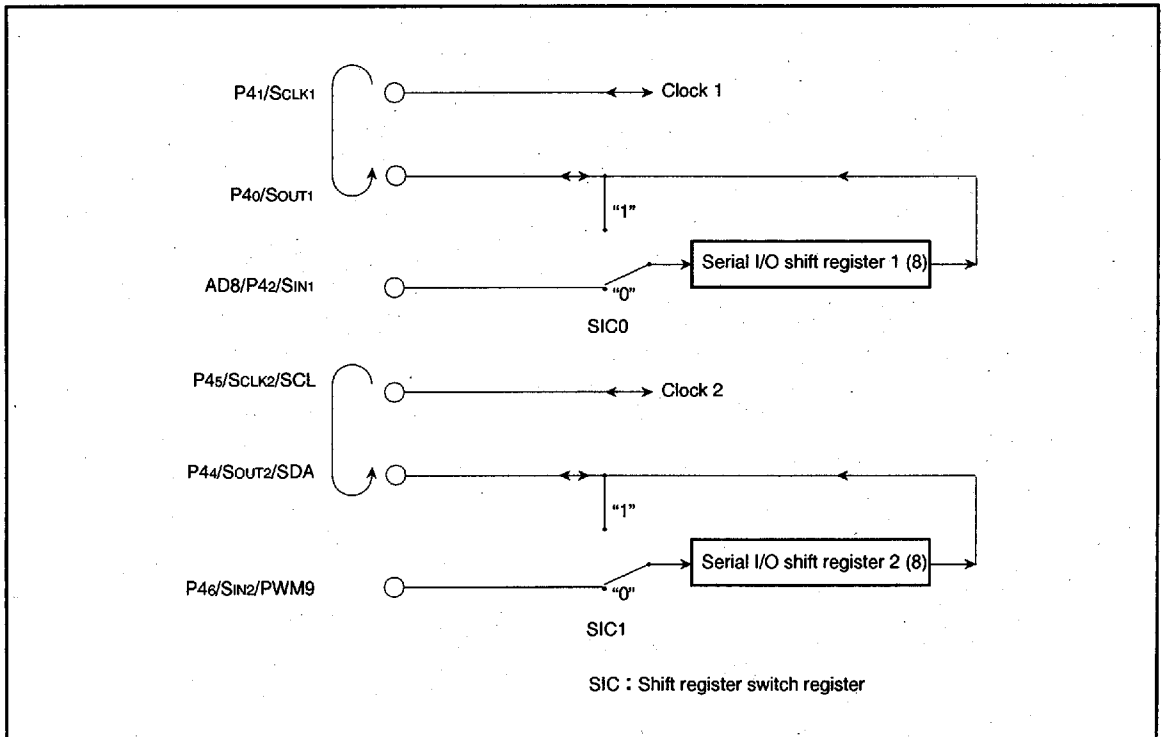


Fig. 20. Signals on serial I/O common transmission/reception mode

# M37204MC-XXXSP M37204EC-XXXSP, M37204ECSP

SINGLE-CHIP 8-BIT CMOS MICROCOMPUTER for VOLTAGE SYNTHESIZER  
and ON-SCREEN DISPLAY CONTROLLER

## PWM OUTPUT FUNCTION

The M37204MC-XXXSP is equipped with a 14-bit PWM (DA) and ten 8-bit PWMs (PWM0–PWM9). DA has a 14-bit resolution with the minimum resolution bit width of 500 ns (for  $f(XIN) = 4$  MHz) and a repeat period of 8192  $\mu$ s. PWM0–PWM9 have the same circuit structure and an 8-bit resolution with minimum resolution bit width of 8  $\mu$ s (for  $f(XIN) = 4$  MHz) and repeat period of 2048  $\mu$ s.

Figure 21 shows the PWM block diagram. The PWM timing generating circuit applies individual control signals to PWM0–PWM9 using  $f(XIN)$  divided by 2 as a reference signal.

### (1) Data Setting

When outputting DA, first set the high-order 8 bits to the DA-H register (address 00CE16), then the low-order 6 bits to the DA-L register (address 00CF16). When outputting PWM0–PWM9, set 8-bit output data in the PWMi register (i means 0 to 9; addresses 00D016 to 00D416, 00F616 to 00FA16).

### (2) Transmitting Data from Register to PWM circuit

The data written to the 8-bit PWM register is transferred to the PWM latch in each 8-bit PWM cycle period. For 14-bit PWM, the data transferred in the next high-order 8-bit period after the write. The signals output to the PWM pins correspond to the contents of these latches. When data in each PWM register is read, data in these latches has already been read allowing the data output by the PWM to be confirmed. However, bit 7 of the DA-L register indicated the completion of the data transfer from the DA register to the DA latch. When bit 7 is "0," the transfer has been completed. When bit 7 is "1," the transfer has not yet begun.

### (3) Operating of 8-bit PWM

The following is the explanation about PWM operation.

At first, set the bit 0 of PWM output control register 1 (address 00D516) to "0" (at reset, bit 0 is already set to "0" automatically), so that the PWM count source is supplied.

PWM0–PWM7 are also used as pins P60–P67, PWM8, PWM9 are also used as ports pins P47, P46, respectively. For PWM0–PWM7, set the corresponding bits of the ports P4 or P6 direction register to "1" (output mode). And select each output polarity by bit 3 of the PWM output control register 2 (address 00D616). Then, for PWM0–PWM5, set bits 2 to 7 of the PWM output control register 1 to "1" (PWM output). For PWM6 and PWM7, set bits 0 and 1 of the PWM output control register 2 to "1." For PWM8 and PWM9, set bits 3 and 4 of the special mode register 1 and bit 4 of the serial I/O2 mode register to "1."

The PWM waveform is output from the PWM output pins by setting these registers.

Figure 22 shows the 8-bit PWM timing. One cycle (T) is composed of 256 ( $2^8$ ) segments. The 8 kinds of pulses relative to the weight of each bit (bits 0 to 7) are output inside the circuit during 1 cycle. Refer to Figure 22 (a). The 8-bit PWM outputs waveform which is the logical sum (OR) of pulses corresponding to the contents of bits 0 to 7 of the 8-bit PWM register. Several examples are shown in Figure 22 (b). 256 kinds of output ("H" level area: 0/256 to 255/256) are selected by changing the contents of the PWM register. A length of

entirely "H" output cannot be output, i.e. 256/256.

### (4) Operating of 14-bit PWM

As with 8-bit PWM, set the bit 0 of the PWM output control register 1 (address 00D516) to "0" (at reset, bit 0 is already set to "0" automatically), so that the PWM count source is supplied. Next, select the output polarity by bit 2 of the PWM output control register 2 (address 00D616). Then, the 14-bit PWM outputs from the D-A output pin by setting bit 1 of the PWM output control register 1 to "0" (at reset, this bit already set to "0" automatically) to select the DA output.

The output example of the 14-bit PWM is shown in Figure 23.

The 14-bit PWM divides the data of the DA latch into the low-order 6 bits and the high-order 8 bits.

The fundamental waveform is determined with the high-order 8-bit data "DH." A "H" level area with a length  $\tau \times DH$  ("H" level area of fundamental waveform) is output every short area of " $\tau$ " =  $256\tau$  = 128  $\mu$ s ( $\tau$  is the minimum resolution bit width of 0.5  $\mu$ s). The "H" level area increase interval ( $t_m$ ) is determined with the low-order 6-bit data "DL." The "H" level area of smaller intervals " $t_m$ " shown in Table 2 is longer by  $\tau$  than that of other smaller intervals in PWM repeat period " $T$ " =  $64t$ . Thus, a rectangular waveform with the different "H" width is output from the D-A pin. Accordingly, the PWM output changes by  $\tau$  unit pulse width by changing the contents of the DA-H and DA-L registers. A length of entirely "H" output cannot be output, i. e. 256/256.

### (5) Output after Reset

At reset, the output of ports P60–P67, P46 and P47 are in the high-impedance state, and the contents of the PWM register and the PWM circuit are undefined. Note that after reset, the PWM output is undefined until setting the PWM register.

■ 6249828 0025309 81T ■

# M37204MC-XXXSP M37204EC-XXXSP, M37204ECSP

SINGLE-CHIP 8-BIT CMOS MICROCOMPUTER for VOLTAGE SYNTHESIZER and ON-SCREEN DISPLAY CONTROLLER

**Table 2. Relation between the low-order 6-bit data and high-level area increase interval**

| Low-order 6 bits of data | Area longer by $\tau$ than that of other $t_m$ ( $m = 0$ to 63)    |
|--------------------------|--|
| 000000 <sup>LSB</sup>    | Nothing  |
| 000001                   | $m = 32$   |
| 000010                   | $m = 16, 48$   |
| 000100                   | $m = 8, 24, 40, 56$  |
| 001000                   | $m = 4, 12, 20, 28, 36, 44, 52, 60$                                |
| 010000                   | $m = 2, 6, 10, 14, 18, 22, 26, 30, 34, 38, 42, 46, 50, 54, 58, 62$ |
| 100000                   | $m = 1, 3, 5, 7, \dots, 57, 59, 61, 63$                            |

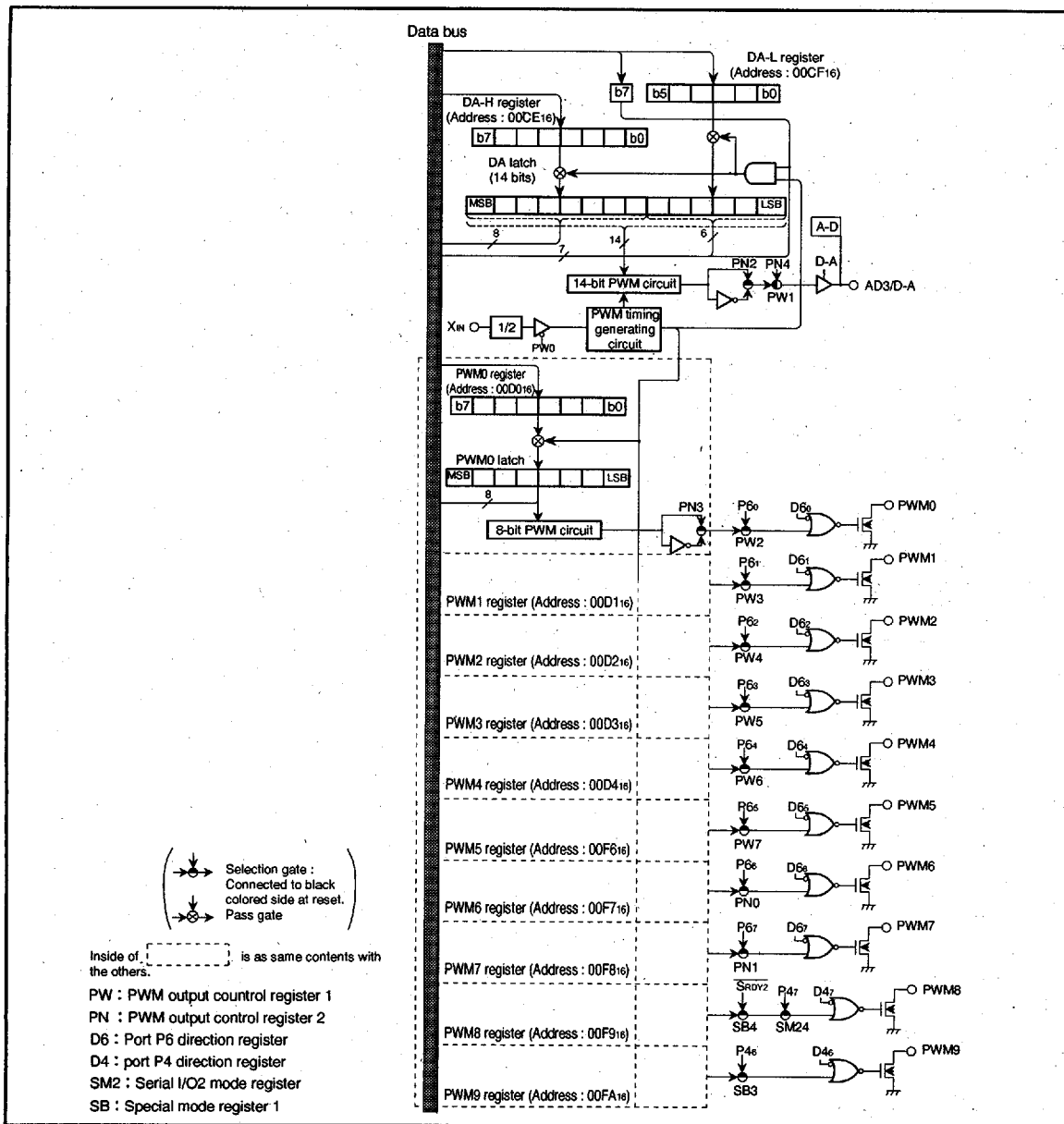


Fig. 21. PWM block diagram

6249828 0025310 531



**M37204MC-XXXSP**  
**M37204EC-XXXSP, M37204ECSP**

SINGLE-CHIP 8-BIT CMOS MICROCOMPUTER for VOLTAGE SYNTHESIZER  
 and ON-SCREEN DISPLAY CONTROLLER

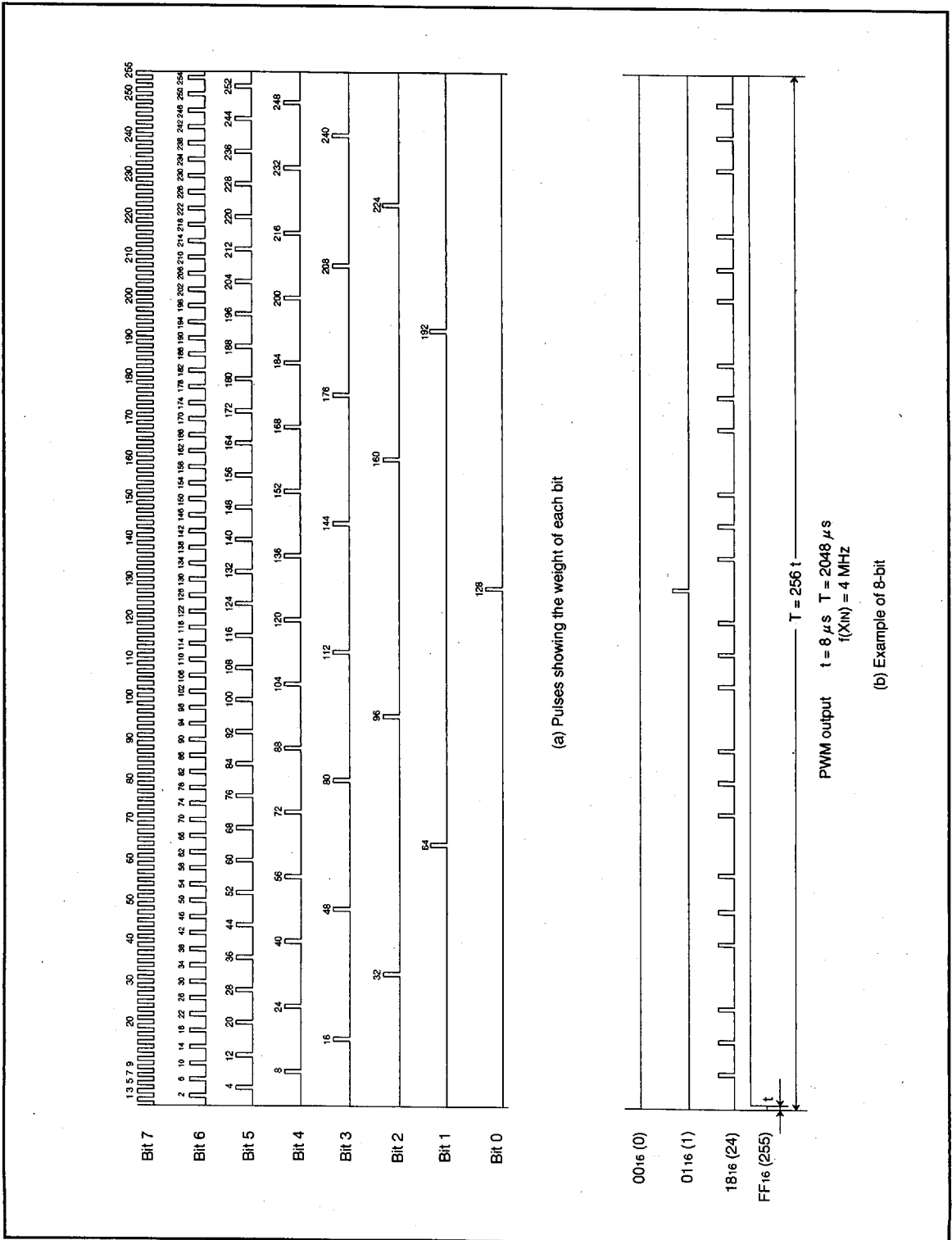


Fig. 22. 8-bit PWM timing

6249828 0025311 478



# M37204MC-XXXSP M37204EC-XXXSP, M37204ECSP

SINGLE-CHIP 8-BIT CMOS MICROCOMPUTER for VOLTAGE SYNTHESIZER  
and ON-SCREEN DISPLAY CONTROLLER

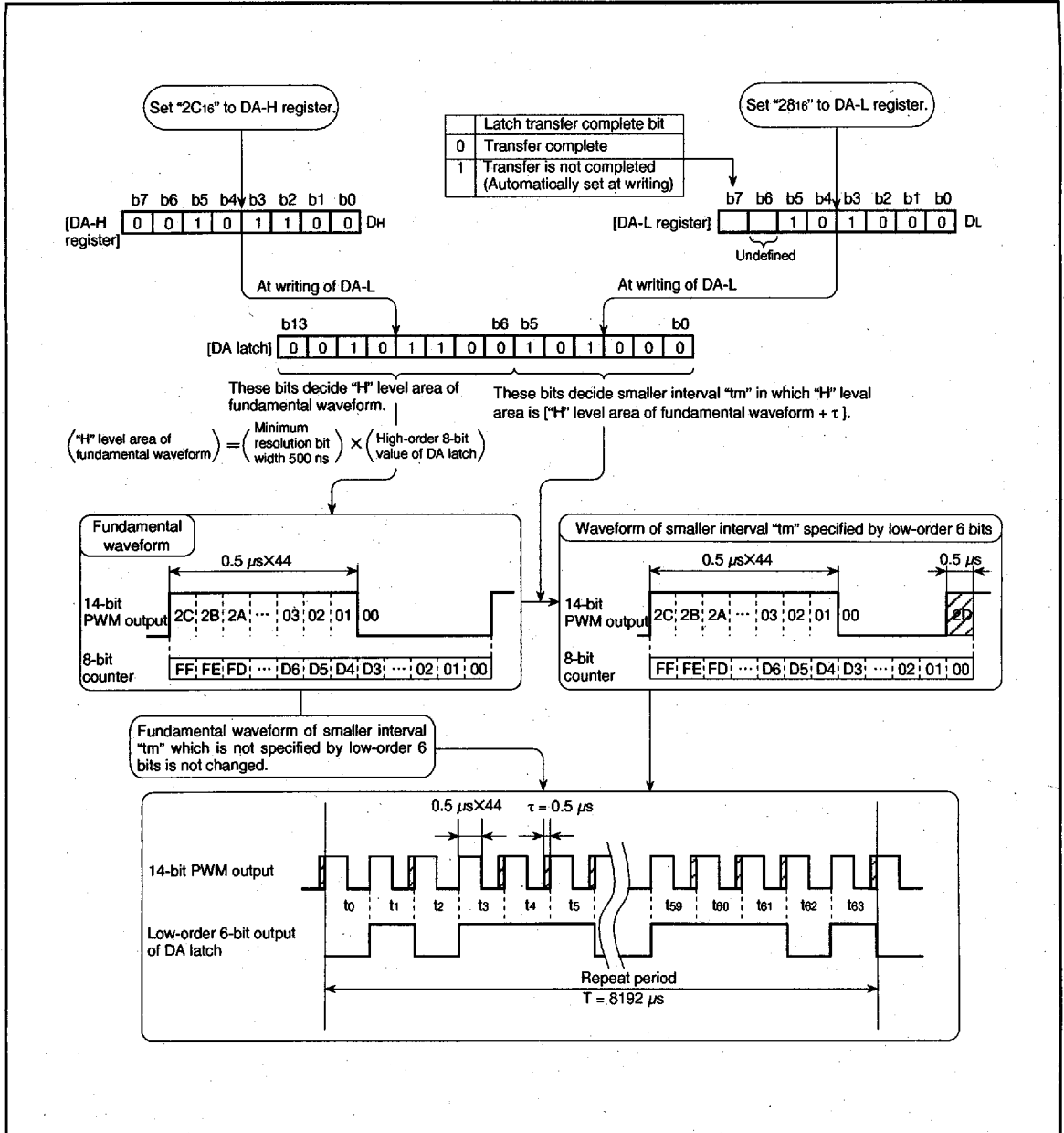


Fig. 23. 14-bit PWM (DA) output example (at f(XIN) = 4 MHz)

6249828 0025312 304

**M37204MC-XXXSP**  
**M37204EC-XXXSP, M37204ECSP**

SINGLE-CHIP 8-BIT CMOS MICROCOMPUTER for VOLTAGE SYNTHESIZER  
 and ON-SCREEN DISPLAY CONTROLLER

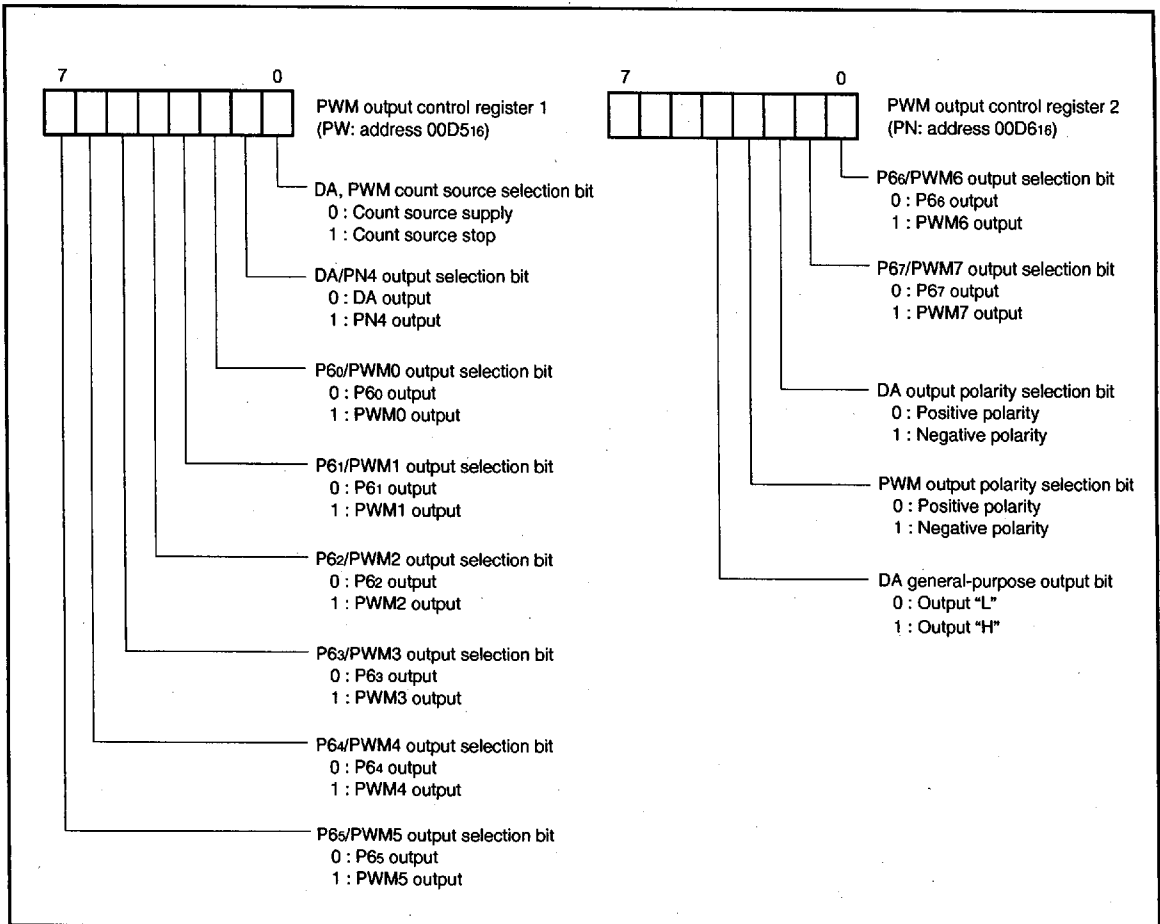


Fig. 24. Structure of PWM-related registers

6249828 0025313 240

# M37204MC-XXXSP M37204EC-XXXSP, M37204ECSP

SINGLE-CHIP 8-BIT CMOS MICROCOMPUTER for VOLTAGE SYNTHESIZER and ON-SCREEN DISPLAY CONTROLLER

## A-D COMPARATOR

A-D comparator consists of 6-bit D-A converter and comparator. A-D comparator block diagram is shown in Figure 25.

The reference voltage "Vref" for D-A conversion is set by bits 0 to 5 of the A-D control register 2 (address 020A16).

The comparison result of the analog input voltage and the reference voltage "Vref" is stored in bit 4 of the A-D control register 1 (address 00EF16).

For A-D comparison, set "0" to corresponding bits of the direction register to use ports as analog input pins. Write the data for select of analog input pins to bits 0 to 2 of the A-D control register 1 and write the digital value corresponding to Vref to be compared to the bits 0 to 5 of the A-D control register 2. The voltage comparison starts by writing to the A-D control register 2, and it is completed after 16 machine cycles (NOP instruction X 8).

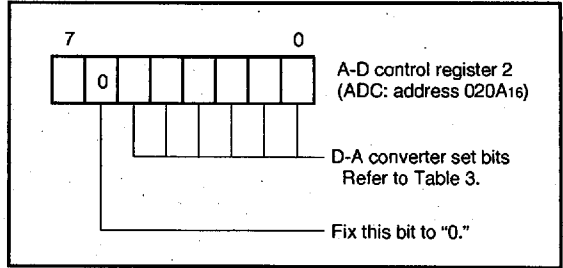


Fig. 27. Structure of A-D control register 2

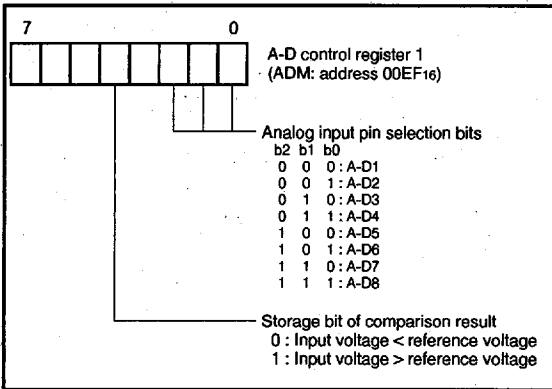


Fig. 26. Structure of A-D control register 1

Table 3. Relation between contents of A-D control register 2 and reference voltage "Vref"

| A-D control register 2 |       |       |       |       |       | Reference voltage "Vref" |
|------------------------|-------|-------|-------|-------|-------|--------------------------|
| Bit 5                  | Bit 4 | Bit 3 | Bit 2 | Bit 1 | Bit 0 |                          |
| 0                      | 0     | 0     | 0     | 0     | 0     | 1/128 Vcc                |
| 0                      | 0     | 0     | 0     | 0     | 1     | 3/128 Vcc                |
| 0                      | 0     | 0     | 0     | 1     | 0     | 5/128 Vcc                |
| ⋮                      | ⋮     | ⋮     | ⋮     | ⋮     | ⋮     | ⋮                        |
| 1                      | 1     | 1     | 1     | 0     | 1     | 123/128 Vcc              |
| 1                      | 1     | 1     | 1     | 1     | 0     | 125/128 Vcc              |
| 1                      | 1     | 1     | 1     | 1     | 1     | 127/128 Vcc              |

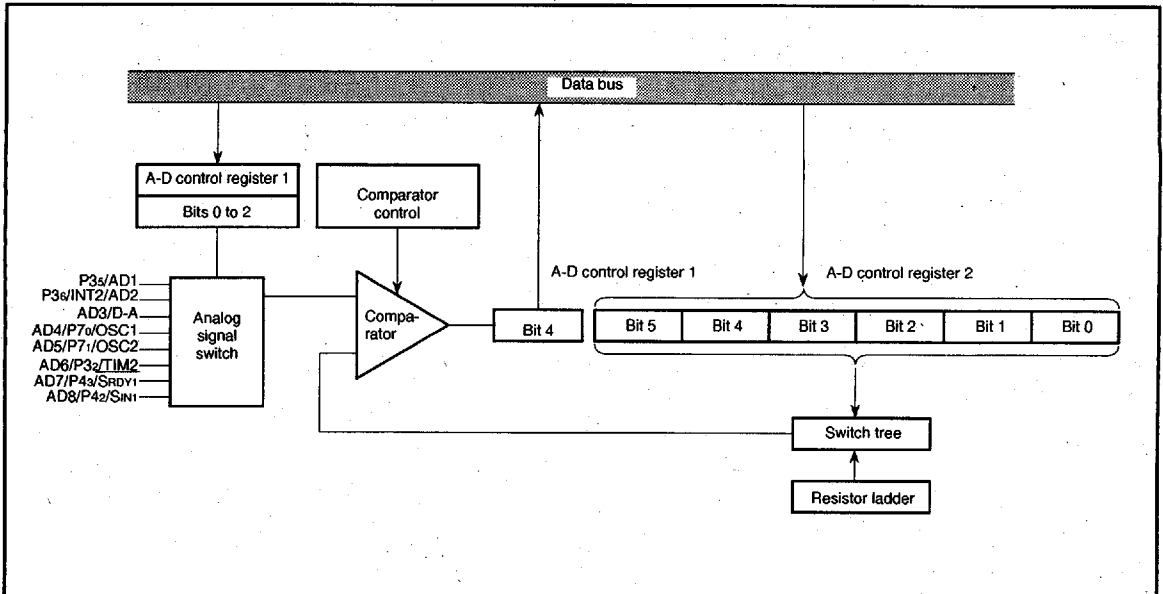


Fig. 25. A-D comparator block diagram

# M37204MC-XXXSP M37204EC-XXXSP, M37204ECSP

SINGLE-CHIP 8-BIT CMOS MICROCOMPUTER for VOLTAGE SYNTHESIZER  
and ON-SCREEN DISPLAY CONTROLLER

## CRT DISPLAY FUNCTIONS

### (1) Outline of CRT Display Functions

Table 4 outlines the CRT display functions of the M37204MC-XXXSP. The M37204MC-XXXSP incorporates a CRT display control circuit of 24 characters X 3 lines. CRT display is controlled by the CRT control register. Up to 256 kinds of characters can be displayed. The colors can be specified for each character and up to 4 kinds of colors can be displayed on one screen. A combination of up to 15 colors can be obtained by using each output signal (R, G, B and I). Characters are displayed in a 12 X 16 dots configuration to obtain smooth character patterns (refer to Figure 28).

The following shows the procedure how to display characters on the CRT screen.

- ① Write the display character code in the display RAM.
- ② Specify the display color by using the color register.
- ③ Write the color register in which the display color is set in the display RAM.
- ④ Specify the vertical position by using the vertical position register.
- ⑤ Specify the character size by using the character size register.
- ⑥ Specify the horizontal position by using the horizontal position register.
- ⑦ Write the display enable bit to the designated block display flag of the CRT control register. When this is done, the CRT display starts according to the input of the VSYNC signal.

The CRT display circuit has an extended display mode. This mode allows multiple lines (4 lines or more) to be displayed on the screen by interrupting the display each time one line is displayed and rewriting data in the block for which display is terminated by software.

Figure 29 shows the structure of the CRT display control register. Figure 30 shows the block diagram of the CRT display control circuit.

Table 4. Outline of CRT display functions

| Parameter                     | Functions  |                                      |
|-------------------------------|--|--------------------------------------|
| Number of display characters  | 24 characters X 3 lines  |                                      |
| Dot structure                 | 12 X 16 dots (refer to Figure 27)                                |                                      |
| Kinds of characters           | 256 kinds  |                                      |
| Kinds of character sizes      | 4 kinds  |                                      |
| Color                         | Kinds of colors  | 1 screen : 4 kinds, maximum 15 kinds |
|                               | Coloring unit  | A character                          |
| Display expansion             | Possible (multiline display)                                     |                                      |
| Raster coloring               | Possible (maximum 15 kinds)                                      |                                      |
| Character background coloring | Possible (A character unit, 1 screen : 1 kinds, maximum 7 kinds) |                                      |

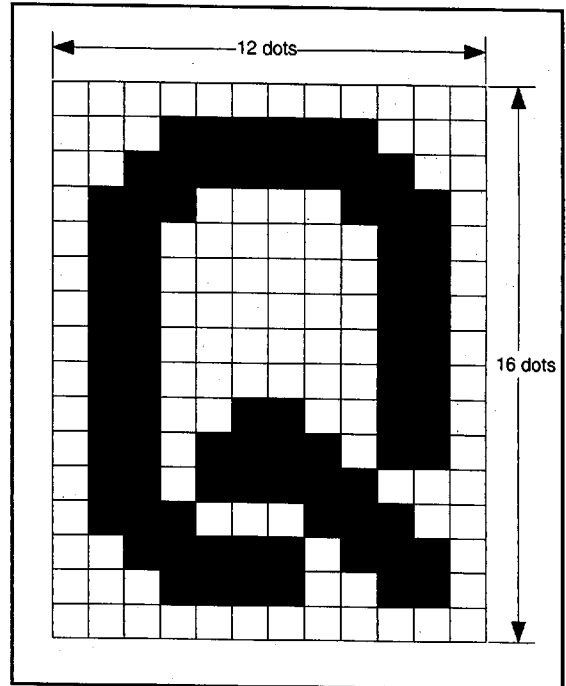


Fig. 28. CRT display character configuration

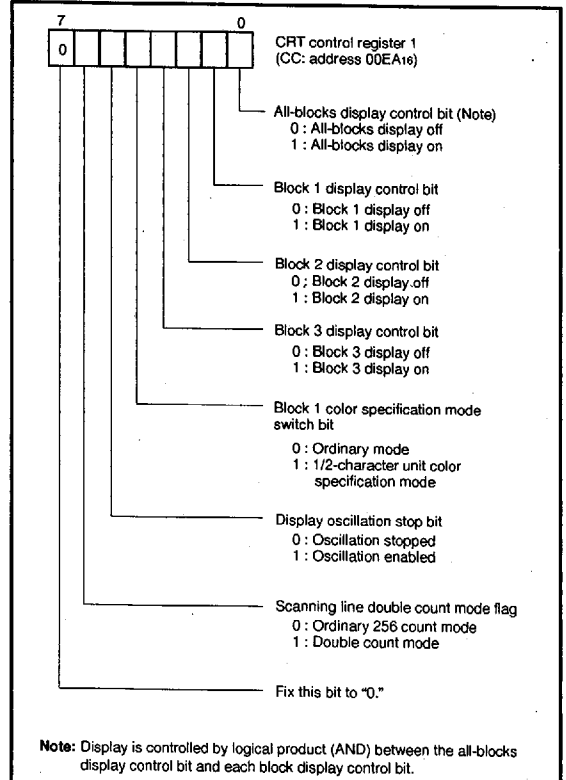


Fig. 29. Structure of CRT control register

■ 6249828 0025315 013 ■

# M37204MC-XXXSP M37204EC-XXXSP, M37204ECSP

SINGLE-CHIP 8-BIT CMOS MICROCOMPUTER for VOLTAGE SYNTHESIZER  
and ON-SCREEN DISPLAY CONTROLLER

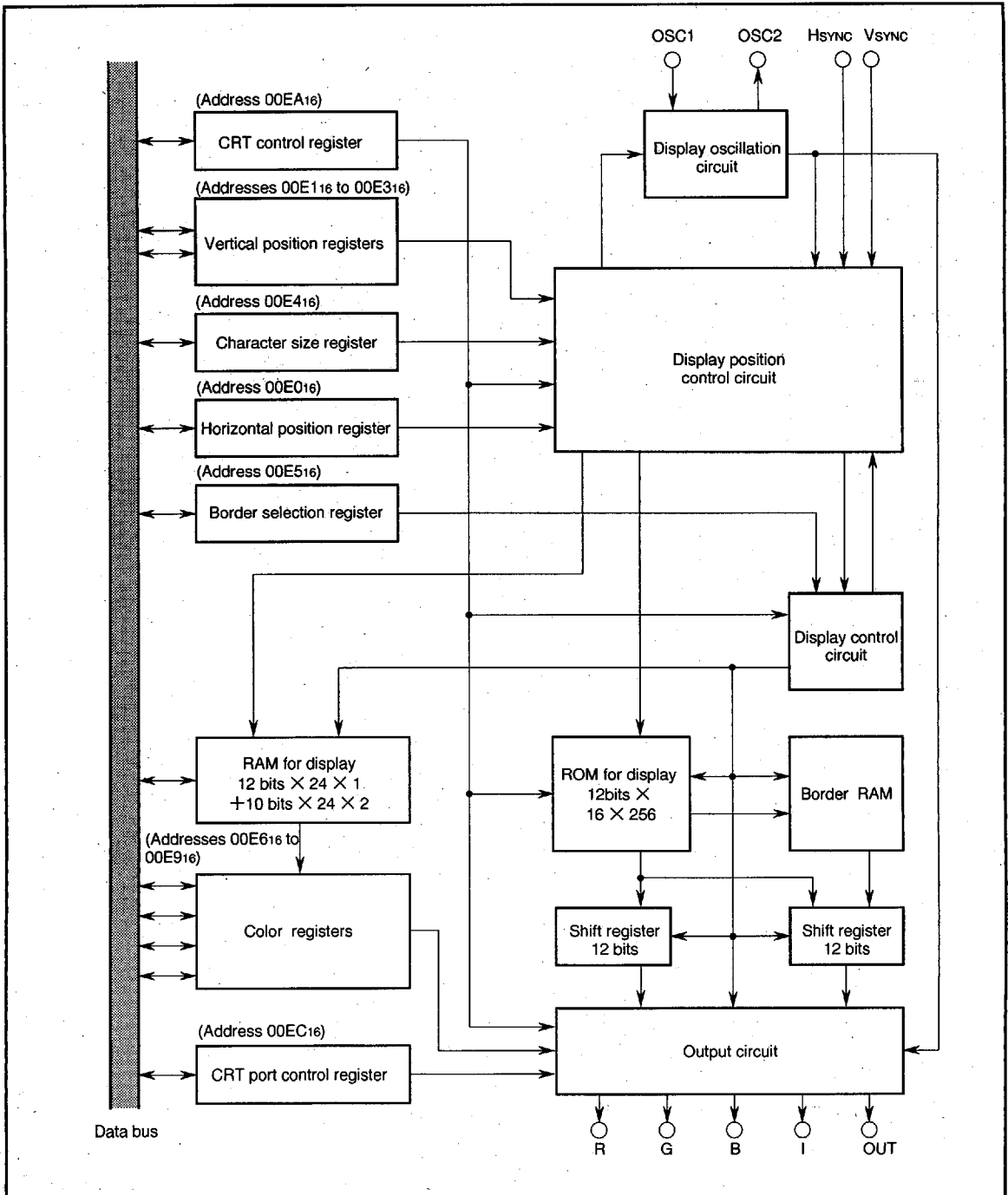


Fig. 30. Block diagram of CRT display control circuit

■ 6249828 0025316 T5T ■

# M37204MC-XXXSP M37204EC-XXXSP, M37204ECSP

SINGLE-CHIP 8-BIT CMOS MICROCOMPUTER for VOLTAGE SYNTHESIZER  
and ON-SCREEN DISPLAY CONTROLLER

## (2) Display Position

The display positions of characters are specified in units called a "block." There are 3 blocks, blocks 1 to 3. Up to 24 characters can be displayed in each block (refer to (4) Memory for Display).

The display position of each block can be set in both horizontal and vertical directions by software.

The display position in the horizontal direction can be selected for all blocks in common from 64-step display positions in units of 4TC (Tc = oscillating cycle for display).

The display position in the vertical direction for each block can be selected from 128-step display positions in units of 4 scanning lines.

Block 2 is displayed after the display of block 1 is completed (refer to Figure 31 (a)). Accordingly, if the display of block 2 starts during the display of block 1, only block 1 is displayed. Similarly, when multiline display, block 1 is displayed after the display of block 2 is completed (refer to Figure 31 (b)).

The vertical position can be specified from 128-step positions (4 scanning lines per a step) for each block by setting values "0016" to "7F16" to bits 0 to 6 in the vertical position register (addresses 00E116 to 00E316). Figure 33 shows the structure of the vertical position register.

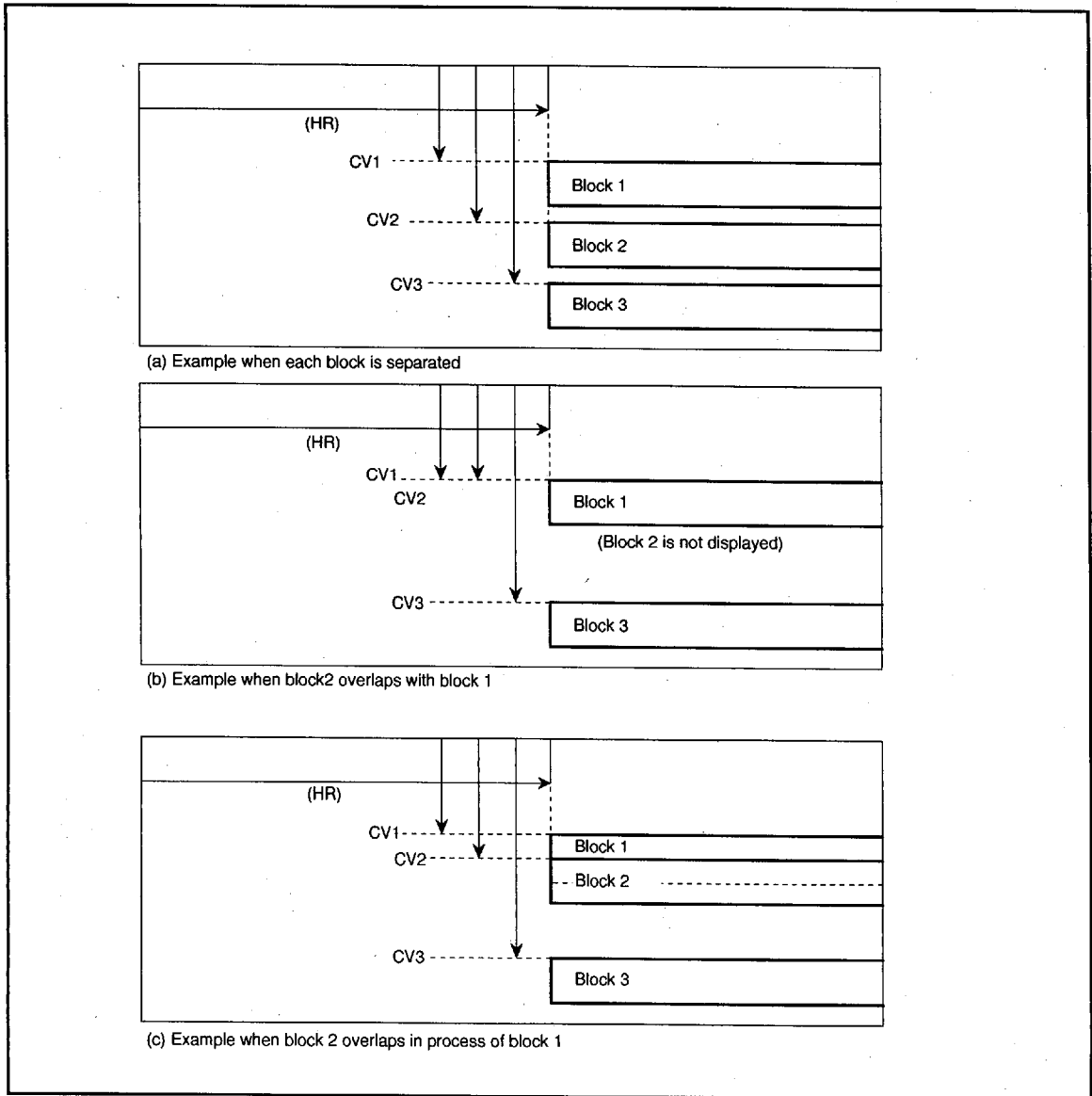


Fig. 31. Display position

# M37204MC-XXXSP M37204EC-XXXSP, M37204ECSP

SINGLE-CHIP 8-BIT CMOS MICROCOMPUTER for VOLTAGE SYNTHESIZER and ON-SCREEN DISPLAY CONTROLLER

The display position in the vertical direction is determined by counting the horizontal sync signal (HSYNC). At this time, it starts to count the rising edge (falling edge) of HSYNC signal from after about 1 machine cycle of rising edge (falling edge) of VSYNC signal. So interval from rising edge (falling edge) of VSYNC signal to rising edge (falling edge) of HSYNC signal needs enough time (2 machine cycles or more) for avoiding jitter. The polarity of HSYNC and VSYNC signals can select with the CRT port control register (address 00EC16). For details, refer to (12) CRT Output Pin Control.

**Note:** When bits 0 and 1 of the CRT port control register (address 00EC16) are set to "1" (negative polarity), the vertical position is determined by counting falling edge of HSYNC signal after rising edge of VSYNC control signal in the microcomputer (refer to Figure 32).

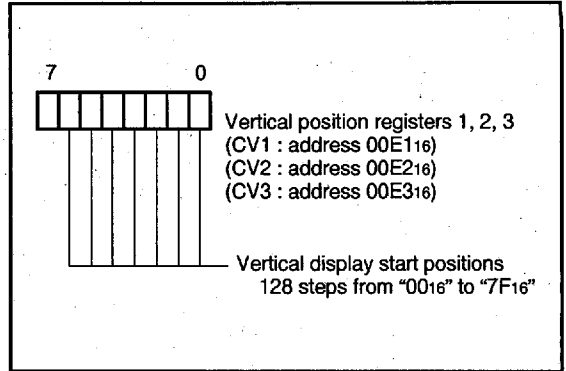


Fig. 33. Structure of vertical position register

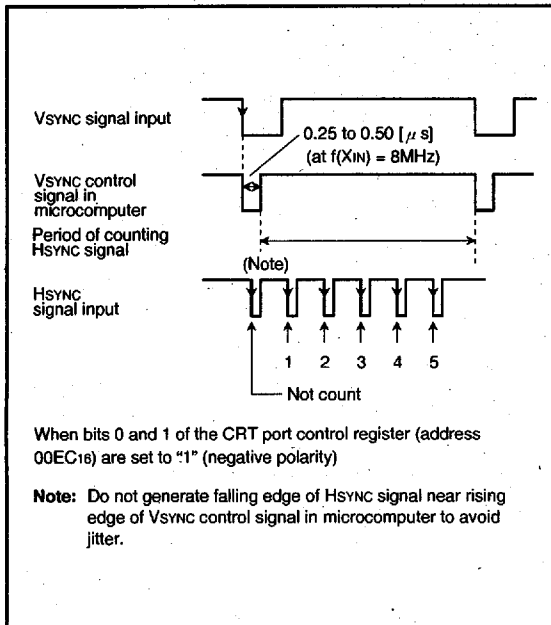


Fig. 32. Supplement explanation for display position

The horizontal position is common to all blocks, and can be set in 64 steps (where 1 step is 4Tc, Tc being the display oscillation period) as values "0016" to "3F16" in bits 0 to 5 of the horizontal position register (address 00E016). The structure of the horizontal position register is shown in Figure 34.

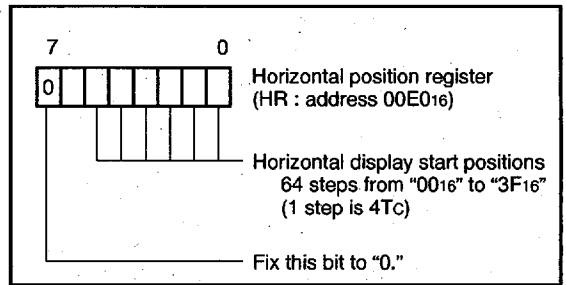


Fig. 34. Structure of horizontal position register

6249828 0025318 822



# M37204MC-XXXSP M37204EC-XXXSP, M37204ECSP

SINGLE-CHIP 8-BIT CMOS MICROCOMPUTER for VOLTAGE SYNTHESIZER  
and ON-SCREEN DISPLAY CONTROLLER

### (3) Character Size

The size of characters to be displayed can be from 4 sizes for each block. Use the character size register (address 00E41e) to set a character size. The character size of block 1 can be specified by using bits 0 and 1 of the character size register; the character size of block 2 can be specified by using bits 2 and 3; that in block 3 can be specified by using bits 4 and 5. Figure 35 shows the structure of the character size register.

The character size can be selected from 4 sizes: minimum size, medium size, large size and extra large size. Each character size is determined by the number of scanning lines in the height (vertical) direction and the oscillating cycle for display (Tc) in the width (horizontal) direction. The minimum size consists of [1 scanning line] X [1Tc]; the medium size consists of [2 scanning lines] X [2Tc]; the large size consists of [3 scanning lines] X [3Tc]; and the extra large size consists of [4 scanning lines] X [4Tc]. Table 5 shows the relation between the set values in the character size register and the character sizes.

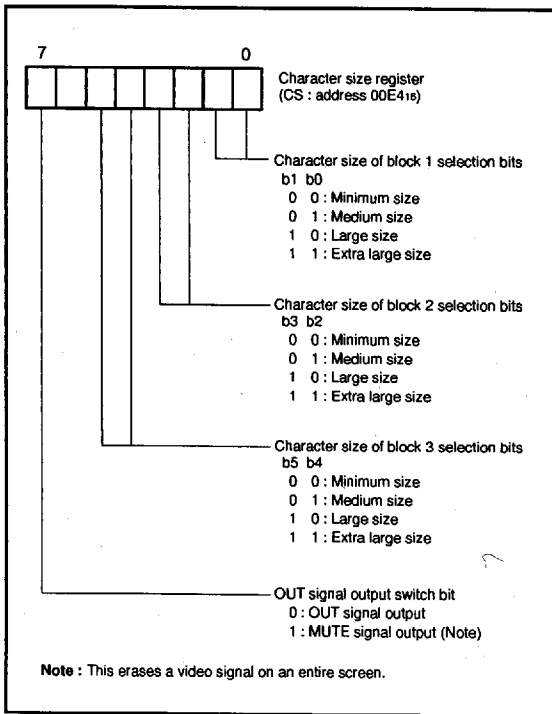


Fig. 35. Structure of character size register

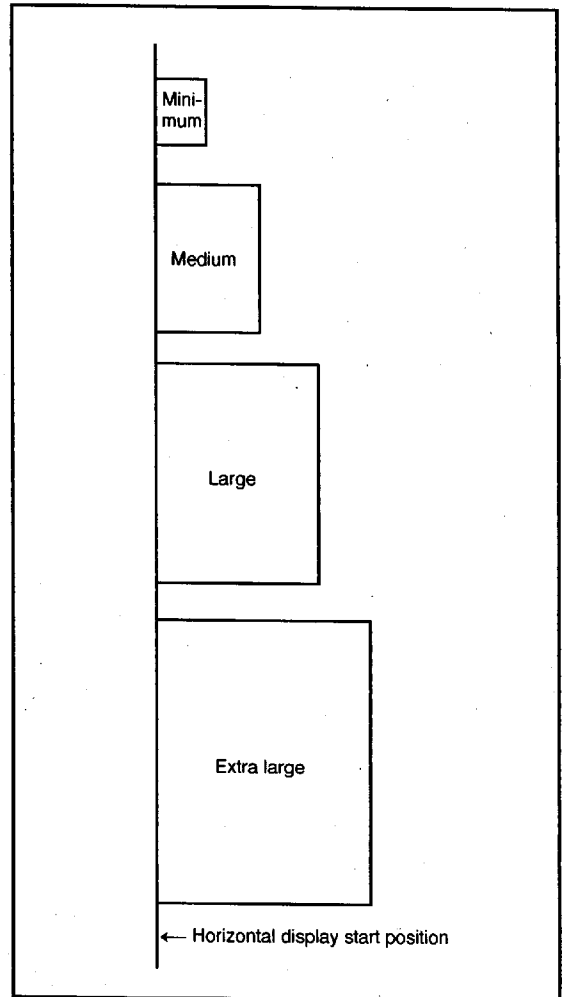


Fig. 36. Display start position of each character size (horizontal direction)

Table 5. Relation between set values in character size register and character sizes

| Set values of character size register |      | Character size | Width (horizontal) direction<br>Tc: oscillating cycle for display | Height (vertical) direction<br>scanning lines |
|---------------------------------------|------|----------------|---|---|
| CSn1                                  | CSn0 |                |   |   |
| 0                                     | 0    | Minimum        | 1Tc   | 1   |
| 0                                     | 1    | Medium         | 2Tc   | 2   |
| 1                                     | 0    | Large          | 3Tc   | 3   |
| 1                                     | 1    | Extra large    | 4Tc   | 4   |

Note: The display start position in the horizontal direction is not affected by the character size. In other words, the horizontal display start position is common to all blocks even when the character size varies with each block (refer to Figure 35).

6249828 0025319 769

# M37204MC-XXXSP M37204EC-XXXSP, M37204ECSP

SINGLE-CHIP 8-BIT CMOS MICROCOMPUTER for VOLTAGE SYNTHESIZER  
and ON-SCREEN DISPLAY CONTROLLER

## (4) Memory for Display

There are 2 types of memory for display : CRT display ROM (addresses 2000<sub>16</sub> to 3FFF<sub>16</sub>) used to store character dot data (masked) and CRT display RAM (addresses 1000<sub>16</sub> to 10D7<sub>16</sub>) used to specify the colors and characters to be displayed. The following describes each type of display memory.

### ① ROM for display (addresses 2000<sub>16</sub> to 3FFF<sub>16</sub>)

The CRT display ROM contains dot pattern data for characters to be displayed. For characters stored in this ROM to be actually displayed, it is necessary to specify them by writing the character code inherent to each character (code based on the addresses in the CRT display ROM) into the CRT display RAM. The character code list is shown in Table 6.

The CRT display ROM has a capacity of 8 K bytes. Since 32 bytes are required for 1 character data, the ROM can store up to 256 kinds of characters.

The CRT display ROM space is broadly divided into 2 areas. The [vertical 16 dots] × [horizontal (left side) 8 dots] data of display characters are stored in addresses 2000<sub>16</sub> to 27FF<sub>16</sub> and 3000<sub>16</sub> to 37FFF<sub>16</sub>; the [vertical 16 dots] × [horizontal (right side) 4 dots] data of display characters are stored in addresses 2800<sub>16</sub> to 2FFF<sub>16</sub> and 3800<sub>16</sub> to 3FFF<sub>16</sub> (refer to Figure 37). Note however that the high-order 4 bits in the data to be written to addresses 2800<sub>16</sub> to 2FFF<sub>16</sub> and 3800<sub>16</sub> to 3FFF<sub>16</sub> must be set to "1" (by writing data "FX16").

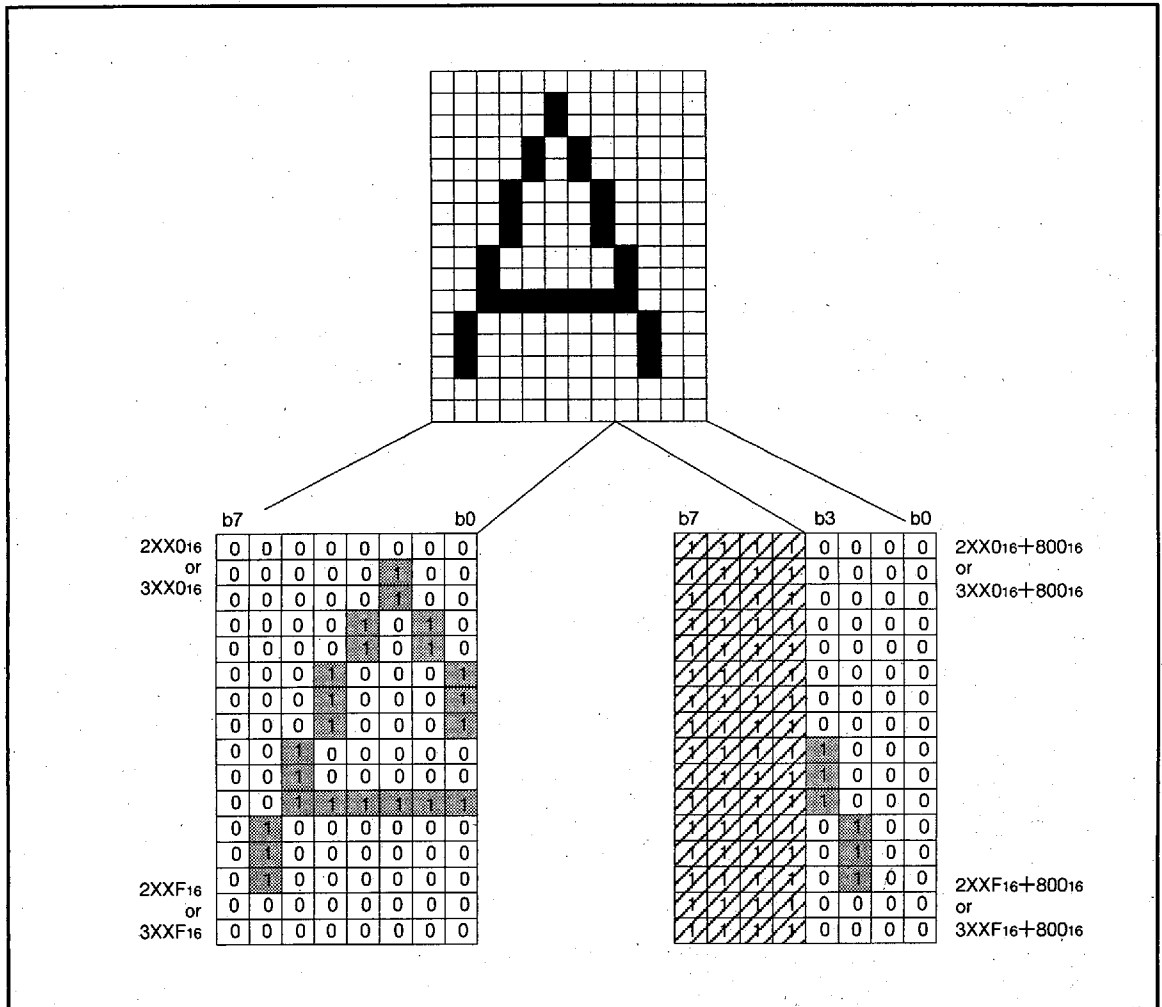


Fig. 37. Display character stored data

6249828 0025320 480

**M37204MC-XXXSP**  
**M37204EC-XXXSP, M37204ECSP**

SINGLE-CHIP 8-BIT CMOS MICROCOMPUTER for VOLTAGE SYNTHESIZER  
 and ON-SCREEN DISPLAY CONTROLLER

**Table 6. Character code list (partially abbreviated)**

| Character code   | Character data storage address                 |  |
|------------------|--|--|
|                  | Left 8 dots lines                              | Right 4 dots lines                             |
| 00 <sub>16</sub> | 2000 <sub>16</sub><br>to<br>200F <sub>16</sub> | 2800 <sub>16</sub><br>to<br>280F <sub>16</sub> |
| 01 <sub>16</sub> | 2010 <sub>16</sub><br>to<br>201F <sub>16</sub> | 2810 <sub>16</sub><br>to<br>281F <sub>16</sub> |
| 02 <sub>16</sub> | 2020 <sub>16</sub><br>to<br>202F <sub>16</sub> | 2820 <sub>16</sub><br>to<br>282F <sub>16</sub> |
| 03 <sub>16</sub> | 2030 <sub>16</sub><br>to<br>203F <sub>16</sub> | 2830 <sub>16</sub><br>to<br>283F <sub>16</sub> |
| :                | :  | :  |
| 7E <sub>16</sub> | 27E0 <sub>16</sub><br>to<br>27EF <sub>16</sub> | 2F00 <sub>16</sub><br>to<br>2F0F <sub>16</sub> |
| 7F <sub>16</sub> | 27F0 <sub>16</sub><br>to<br>27FF <sub>16</sub> | 2F10 <sub>16</sub><br>to<br>2F1F <sub>16</sub> |
| 80 <sub>16</sub> | 3000 <sub>16</sub><br>to<br>300F <sub>16</sub> | 3800 <sub>16</sub><br>to<br>380F <sub>16</sub> |
| 81 <sub>16</sub> | 3010 <sub>16</sub><br>to<br>301F <sub>16</sub> | 3810 <sub>16</sub><br>to<br>381F <sub>16</sub> |
| :                | :  | :  |
| FD <sub>16</sub> | 37D0 <sub>16</sub><br>to<br>37DF <sub>16</sub> | 3FD0 <sub>16</sub><br>to<br>3FDF <sub>16</sub> |
| FE <sub>16</sub> | 37E0 <sub>16</sub><br>to<br>37EF <sub>16</sub> | 3FE0 <sub>16</sub><br>to<br>3FEF <sub>16</sub> |
| FF <sub>16</sub> | 37F0 <sub>16</sub><br>to<br>37FF <sub>16</sub> | 3FF0 <sub>16</sub><br>to<br>3FFF <sub>16</sub> |

■ 6249828 0025321 317 ■

# M37204MC-XXXSP

## M37204EC-XXXSP, M37204ECSP

SINGLE-CHIP 8-BIT CMOS MICROCOMPUTER for VOLTAGE SYNTHESIZER  
and ON-SCREEN DISPLAY CONTROLLER

### ② RAM for display (addresses 1000<sub>16</sub> to 10D7<sub>16</sub>)

The CRT display RAM is allocated at addresses 1000<sub>16</sub> to 10D7<sub>16</sub>, and is divided into a display character code specification part and display color specification part for each block. Table 7 shows the contents of the CRT display RAM.

For example, to display 1 character position (the left edge) in block 1, write the character code in address 1000<sub>16</sub> and write the color register No. to the low-order 2 bits (bits 0 and 1) in address 1080<sub>16</sub>. The color register No. to be written here is one of the 4 color registers in which the color to be displayed is set in advance. For details on color registers, refer to (5) Color Registers. The structure of the CRT display RAM is shown in Figure 37.

**Table 7. Contents of CRT display RAM**

| Block   | Display position (from left) | Character code specification | Color specification |
|---------|------------------------------|------------------------------|---------------------|
| Block 1 | 1st character                | 1000 <sub>16</sub>           | 1080 <sub>16</sub>  |
|         | 2nd character                | 1001 <sub>16</sub>           | 1081 <sub>16</sub>  |
|         | 3rd character                | 1002 <sub>16</sub>           | 1082 <sub>16</sub>  |
|         | ⋮                            | ⋮                            | ⋮                   |
|         | 22nd character               | 1015 <sub>16</sub>           | 1095 <sub>16</sub>  |
|         | 23rd character               | 1016 <sub>16</sub>           | 1096 <sub>16</sub>  |
|         | 24th character               | 1017 <sub>16</sub>           | 1097 <sub>16</sub>  |
|         | Not used                     | 1018 <sub>16</sub>           | 1098 <sub>16</sub>  |
|         |                              | ⋮                            | ⋮                   |
|         |                              | 101F <sub>16</sub>           | 109F <sub>16</sub>  |
| Block 2 | 1st character                | 1020 <sub>16</sub>           | 10A0 <sub>16</sub>  |
|         | 2nd character                | 1021 <sub>16</sub>           | 10A1 <sub>16</sub>  |
|         | 3rd character                | 1022 <sub>16</sub>           | 10A2 <sub>16</sub>  |
|         | ⋮                            | ⋮                            | ⋮                   |
|         | 22nd character               | 1035 <sub>16</sub>           | 10B5 <sub>16</sub>  |
|         | 23rd character               | 1036 <sub>16</sub>           | 10B6 <sub>16</sub>  |
|         | 24th character               | 1037 <sub>16</sub>           | 10B7 <sub>16</sub>  |
|         | Not used                     | 1038 <sub>16</sub>           | 10B8 <sub>16</sub>  |
|         |                              | ⋮                            | ⋮                   |
|         |                              | 103F <sub>16</sub>           | 10BF <sub>16</sub>  |
| Block 2 | 1st character                | 1040 <sub>16</sub>           | 10C0 <sub>16</sub>  |
|         | 2nd character                | 1041 <sub>16</sub>           | 10C1 <sub>16</sub>  |
|         | 3rd character                | 1042 <sub>16</sub>           | 10C2 <sub>16</sub>  |
|         | ⋮                            | ⋮                            | ⋮                   |
|         | 22nd character               | 1055 <sub>16</sub>           | 10D5 <sub>16</sub>  |
|         | 23rd character               | 1056 <sub>16</sub>           | 10D6 <sub>16</sub>  |
|         | 24th character               | 1057 <sub>16</sub>           | 10D7 <sub>16</sub>  |
|         | Not used                     | 1058 <sub>16</sub>           | 10D8 <sub>16</sub>  |
|         |                              | ⋮                            | ⋮                   |
|         |                              | 107F <sub>16</sub>           | 10FF <sub>16</sub>  |

■ 6249828 0025322 253 ■

**M37204MC-XXXSP**  
**M37204EC-XXXSP, M37204ECSP**

SINGLE-CHIP 8-BIT CMOS MICROCOMPUTER for VOLTAGE SYNTHESIZER  
 and ON-SCREEN DISPLAY CONTROLLER

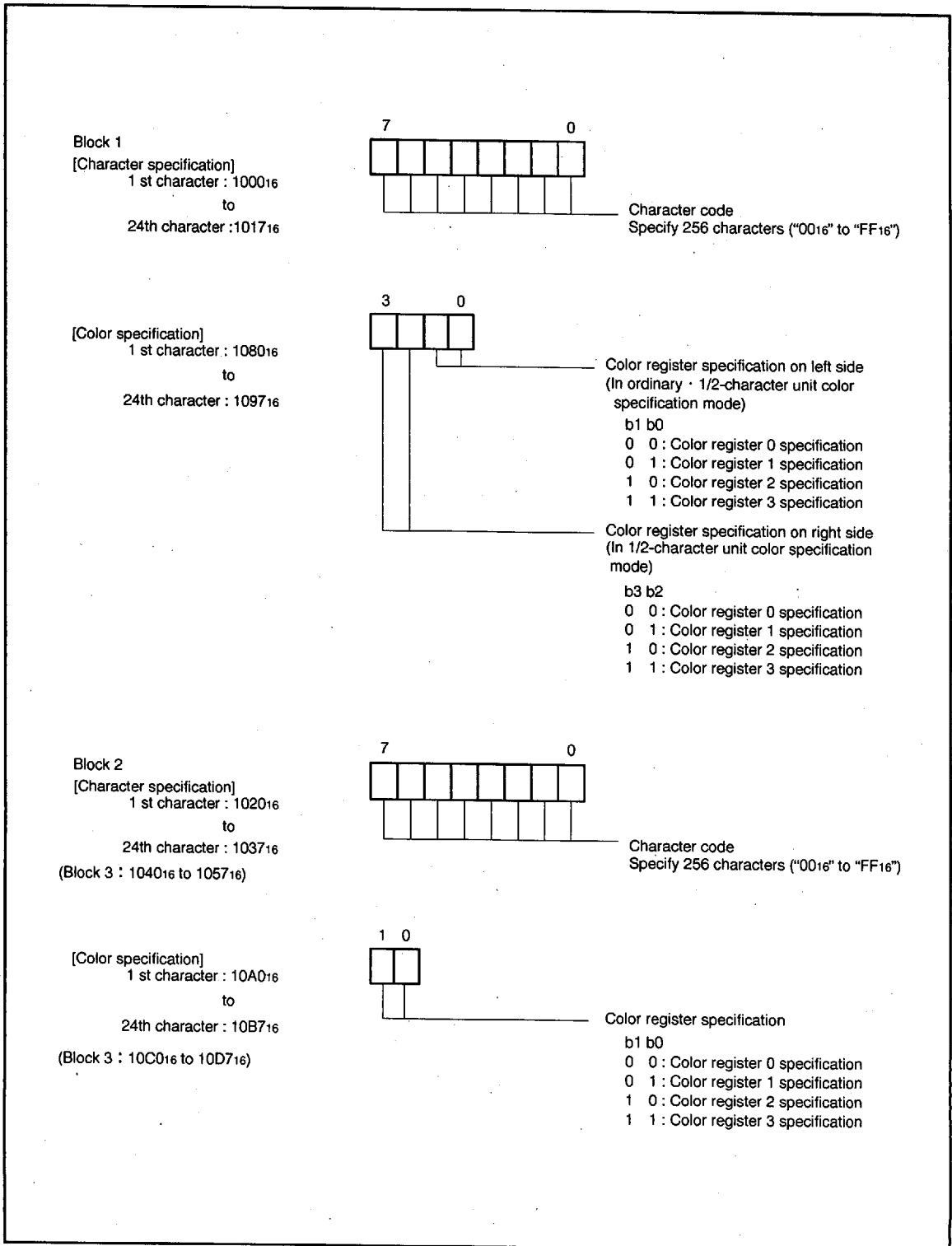


Fig. 38. Structure of RAM for display

■ 6249828 0025323 19T ■

# M37204MC-XXXSP M37204EC-XXXSP, M37204ECSP

SINGLE-CHIP 8-BIT CMOS MICROCOMPUTER for VOLTAGE SYNTHESIZER  
and ON-SCREEN DISPLAY CONTROLLER

## (5) Color Registers

The color of a displayed character can be specified by setting the color to one of the 4 registers (CO0 to CO3: addresses 00E6<sub>16</sub> to 00E9<sub>16</sub>) and then specifying that color register with the CRT display RAM. There are 4 color outputs; R, G, B and I. By using a combination of these outputs, it is possible to set  $2^4 - 1$  (when no output) = 15 colors. However, since only 4 color registers are available, up to 4 colors can be disabled at one time.

R, G, B and I outputs are set by using bits 0 to 3 in the color register. Bit 4 is used to set whether character output and blank output are enabled or not. Bit 5 is used to specify whether a character output or blank output.

Figure 39 shows the structure of the color register.

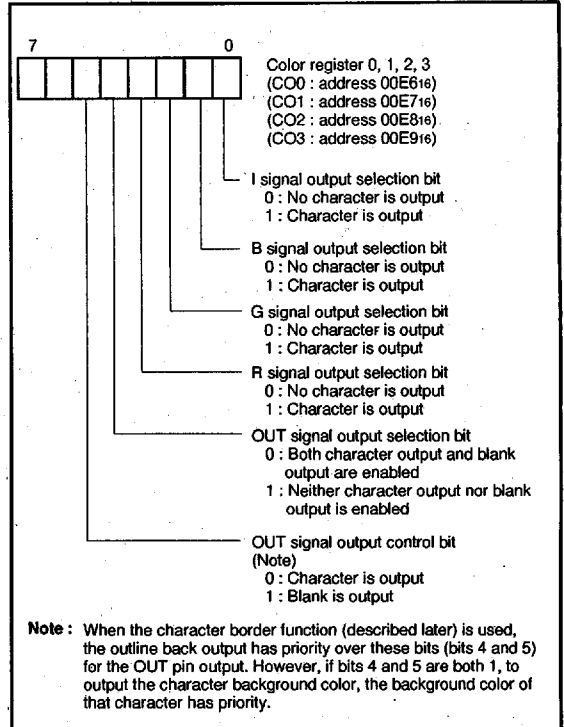


Fig. 39. Structure of color registers

6249828 0025324 026

# M37204MC-XXXSP M37204EC-XXXSP, M37204ECSP

SINGLE-CHIP 8-BIT CMOS MICROCOMPUTER for VOLTAGE SYNTHESIZER  
and ON-SCREEN DISPLAY CONTROLLER

## (6) Character Background coloring

The background part of a character (its  $12 \times 16$ -dot area) can be colored as specified by bits 4 and 5 of the color registers (addresses 00E6<sub>16</sub> to 00E9<sub>16</sub>) and bits 2, 3, and 4 of the CRT control register 2 (address 0208<sub>16</sub>).

Set "1" in bits 4 and 5 of the color register of the character whose background is to be colored, and specify the background color with bits 2, 3, and 4 of the CRT control register 2. This means that the color of the character is paired with the background color of that character, so that up to 4 color pairs can be used in each screen (7 background colors are possible).

The structure of the CRT control register 2 is shown in Figure 52.

Table 8. Coloring to character background by R,G,B output signals

| Color register |           |           | RGB output |
|----------------|-----------|-----------|------------|
| Bit 4 (B)      | Bit 3 (G) | Bit 2 (R) | Color      |
| 0              | 0         | 0         | Black      |
| 0              | 0         | 1         | Red        |
| 0              | 1         | 0         | Green      |
| 0              | 1         | 1         | Yellow     |
| 1              | 0         | 0         | Blue       |
| 1              | 0         | 1         | Magenta    |
| 1              | 1         | 0         | Cyan       |
| 1              | 1         | 1         | White      |

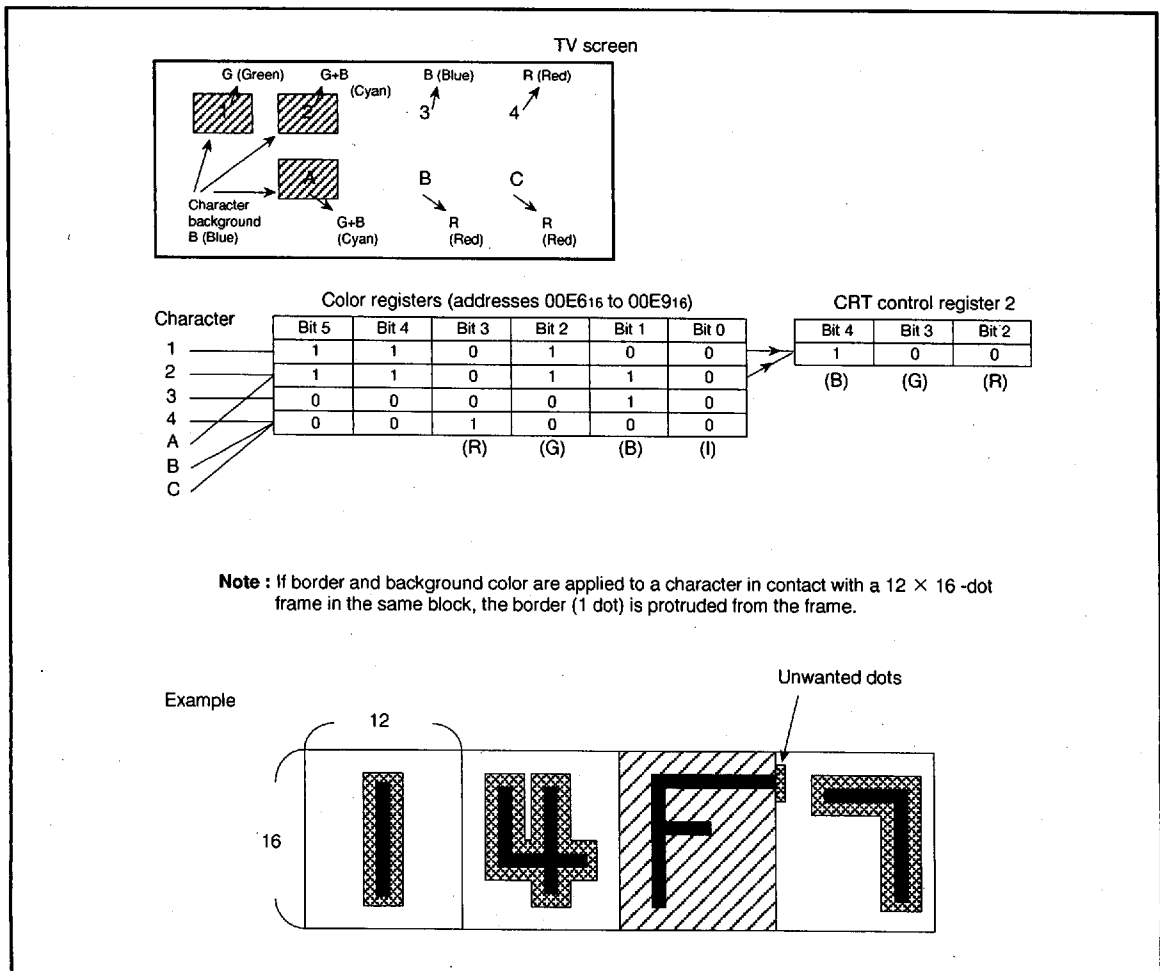


Fig. 40. Display example

6249828 0025325 T62

**M37204MC-XXXSP**  
**M37204EC-XXXSP, M37204ECSP**

SINGLE-CHIP 8-BIT CMOS MICROCOMPUTER for VOLTAGE SYNTHESIZER  
 and ON-SCREEN DISPLAY CONTROLLER

**(7) 1/2-character Unit Color Specification Mode**

By setting "1" to bit 4 of the CRT control register 1 (address 00EA16) it is possible to specify colors, in units of a 1/2-character size (16 dots high X 6 dots wide), to characters in only block 1.

In the 1/2-character unit color specification mode, colors of display characters in block 1 are specified as follows:

- The color on the left side :  
 this is set to the color of the color register which is specified by bits 0 and 1 at the color specification addresses (addresses 108016 to 109716) in the CRT display RAM.
- The color on the right side :  
 this is set to the color of the color register which is specified by bits 2 and 3 at the color specification addresses (addresses 108016 to 109716) in the CRT display RAM.

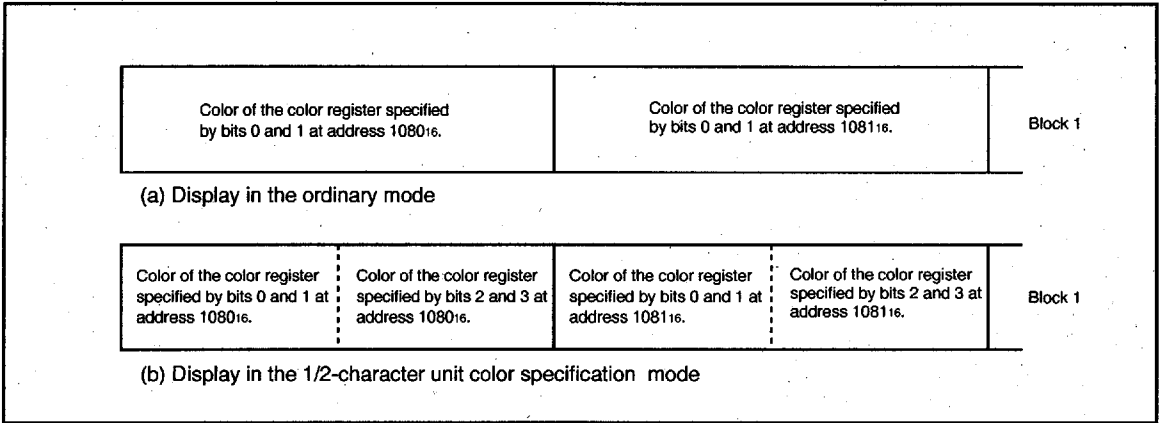


Fig. 41. Difference between ordinary color specification mode and 1/2-character unit color specification mode

6249828 0025326 9T9



# M37204MC-XXXSP M37204EC-XXXSP, M37204ECSP

SINGLE-CHIP 8-BIT CMOS MICROCOMPUTER for VOLTAGE SYNTHESIZER  
and ON-SCREEN DISPLAY CONTROLLER

## (8) Character Border Function

An border of 1 clock (1 dot) equivalent size can be added to a character to be displayed in both horizontal and vertical directions. The border is output from the OUT pin. In this case, bits 4 and 5 in the color register (the OUT pin output contents) are ignored, and the border output is from the OUT pin.

Border can be specified in units of block by using the border selection register (address 00E516). The setting of the border takes priority of the setting by bit 5 of the color register, however, the border of the character to which a background color has been set cannot be output. Figure 42 shows the structure of the border selection register. Table 9 shows the relationship between the values set in the border selection register and the character border function.

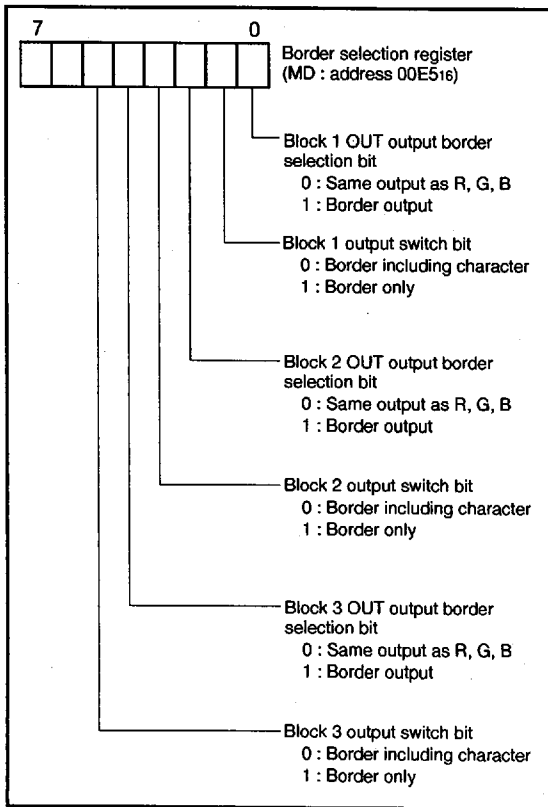


Fig. 42. Structure of border selection register

Table 9. Relationship between set value in border selection register and character border function

| Border selection register |      | Functions                  | Example of output               |
|---------------------------|------|----------------------------|---------------------------------|
| MDn1                      | MDn0 |                            |                                 |
| X                         | 0    | Ordinary                   | R, G, B, I output<br>OUT output |
| 0                         | 1    | Border including character | R, G, B, I output<br>OUT output |
| 1                         | 1    | Border only                | R, G, B, I output<br>OUT output |

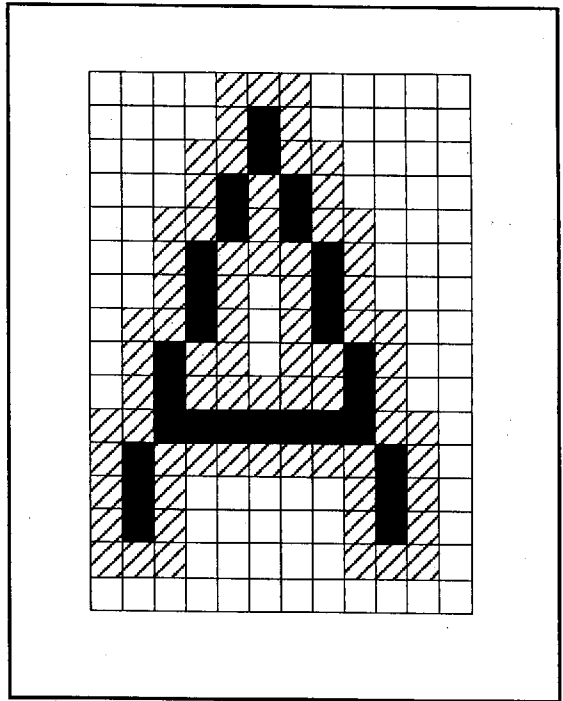


Fig. 43. Example of border

6249828 0025327 835

# M37204MC-XXXSP M37204EC-XXXSP, M37204ECSP

SINGLE-CHIP 8-BIT CMOS MICROCOMPUTER for VOLTAGE SYNTHESIZER  
and ON-SCREEN DISPLAY CONTROLLER

## (9) Multiline Display

The M37204MC-XXXSP can ordinarily display 3 lines on the CRT screen by displaying 3 blocks at different vertical positions. In addition, it can display up to 16 lines by using CRT interrupts.

A CRT interrupt request occurs at the point at which display of each block has been completed. In other words, when a scanning line reaches the point of the display position (specified by the vertical position registers) of a certain block, the character display of that block starts, and an interrupt occurs at the point at which the scanning line exceeds the block.

The display block counter counts the number of times the display of a block has been completed, and its contents are incremented by 1 each time the display of one block is completed.

To provide multi-line display, enable CRT interrupts by clearing the interrupt disable flag to "0" and setting the CRT interrupt enable bit (bit 4 of address 00FE16) to "1." After that, process the following sequence within the CRT interrupt processing routine:

- ① Read the value of the display block counter.
- ② The block for which display is terminated (i.e., the cause of CRT interrupt generation) can be determined by the value read in ①.
- ③ Replace the display character data and vertical display position of that block with the character data (contents of CRT display RAM) and vertical display position (contents of vertical position register) to be displayed next.

Figure 44 shows the structure of the display block counter.

**Note:** A CRT interrupt does not occur at the end of display when the block is not displayed. In other words, if a block is set to off display with the display control bit of the CRT control register (address 00EA16), a CRT interrupt request does not occur (refer to Figure 45).

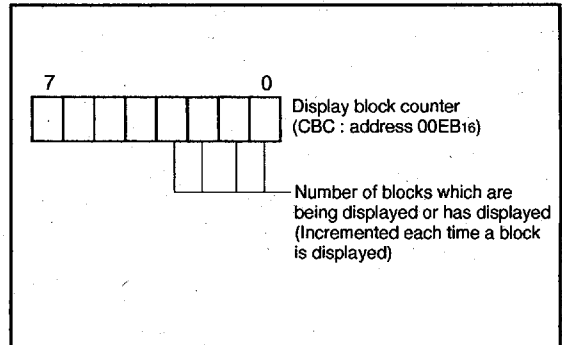


Fig. 44. Structure of display counter

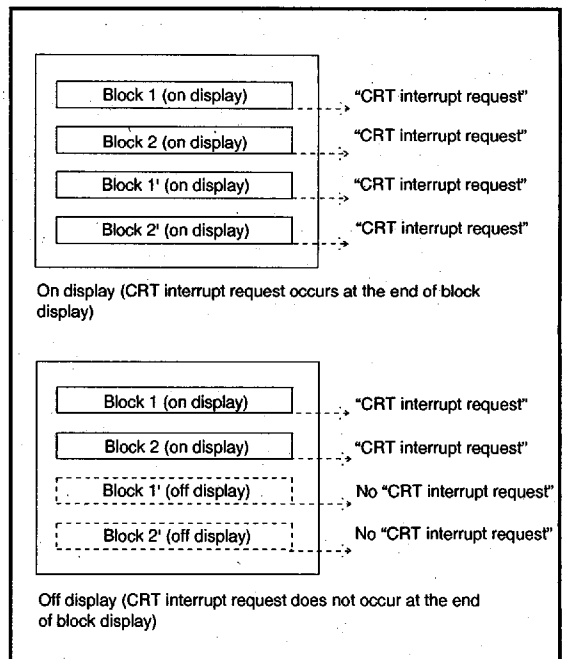


Fig. 45. Timing of CRT interrupt request

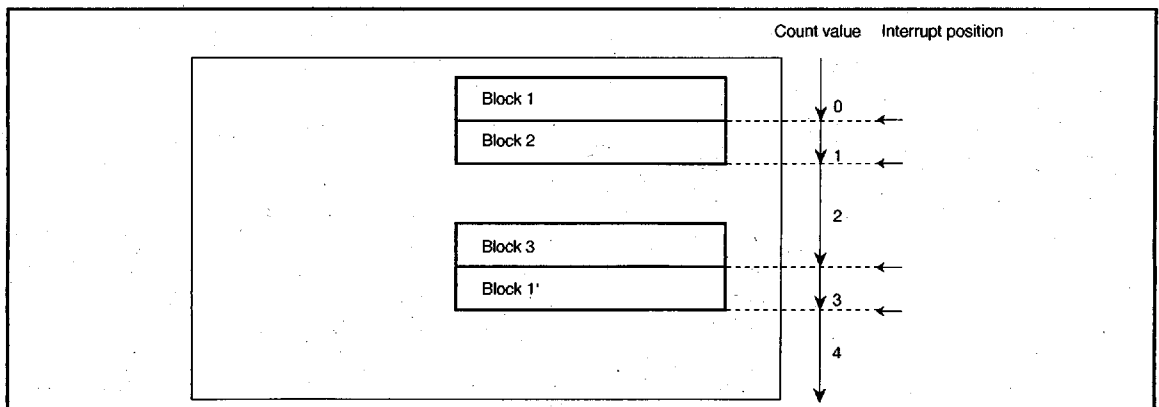


Fig. 46. Timing of CRT interrupt request

6249828 0025328 771

**M37204MC-XXXSP**  
**M37204EC-XXXSP, M37204ECSP**

SINGLE-CHIP 8-BIT CMOS MICROCOMPUTER for VOLTAGE SYNTHESIZER  
 and ON-SCREEN DISPLAY CONTROLLER

**(10) Scanning Line Double Count Mode**

1 dot in a displayed character is normally shown with 1 scanning line. In the scanning double count mode, 1 dot can be shown with 2 scanning lines. As a result, the displayed dot is extended 2 times the normal size in the vertical direction only (that is to say, the height of a character is extended twofold.)

In addition, because the scanning line count is doubled, the display start position of a character becomes also twofold position in the vertical direction.

In other words, the contents of the vertical position register is as follows:

- In ordinary mode  
 256 steps as values "00<sub>16</sub>" to "FF<sub>16</sub>"  
 (4 scanning lines per step)
- In scanning line double count mode  
 128 steps as values "00<sub>16</sub>" to "7F<sub>16</sub>"  
 (8 scanning lines per step)

If the contents of the vertical position register for a block are set in the range of "80<sub>16</sub>" to "FF<sub>16</sub>" in the scanning line double count mode, that block cannot be displayed (not output to the CRT screen). The scanning line double count mode is specified by setting bit 6 of the CRT control register 1 (address 00EA<sub>16</sub>) to "1."

Since this function works in units of a screen, even if the mode is changed during display of 1 screen, the mode before the change remains until the display of the next screen.

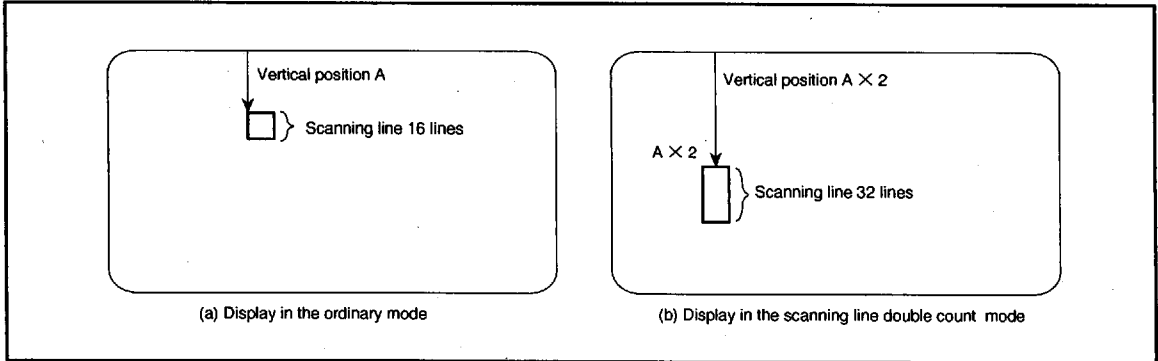


Fig. 47. Display in ordinary mode and in scanning line double count mode

**M37204MC-XXXSP**  
**M37204EC-XXXSP, M37204ECSP**

SINGLE-CHIP 8-BIT CMOS MICROCOMPUTER for VOLTAGE SYNTHESIZER  
 and ON-SCREEN DISPLAY CONTROLLER

**(11) Wipe Function**

① Wipe mode

The M37204MC-XXXSP allows the display area to be gradually expanded or shrunk in the vertically direction in units of 1H (H: Hsync signal). There are 3 modes for this wipe method. Each mode has DOWN and UP modes, providing a total of 6 modes.

Table 10 shows the contents of each wipe mode.

**Table 10. Wipe operation in each mode and values of wipe mode register**

| Mode |      | Wipe operation                        | Wipe mode register |       |       |   |
|------|------|---------------------------------------|--------------------|-------|-------|---|
|      |      |                                       | Bit 2              | Bit 1 | Bit 0 |   |
| 1    | DOWN | Appear from upper side                |                    | 0     | 0     | 1 |
|      | UP   | Erase from lower side                 |                    | 1     | 0     | 1 |
| 2    | DOWN | Erase from upper side                 |                    | 0     | 1     | 0 |
|      | UP   | Appear from lower side                |                    | 1     | 1     | 0 |
| 3    | DOWN | Erase from both upper and lower sides |                    | 0     | 1     | 1 |
|      | UP   | Appear to both upper and lower sides  |                    | 1     | 1     | 1 |

6249828 0025330 32T

# M37204MC-XXXSP M37204EC-XXXSP, M37204ECSP

SINGLE-CHIP 8-BIT CMOS MICROCOMPUTER for VOLTAGE SYNTHESIZER  
and ON-SCREEN DISPLAY CONTROLLER

## ② Wipe speed

The wipe speed is determined by the vertical synchronization (VSYNC) signal. For the NTSC interlace method, assuming that VSYNC = 16.7 ms, 262.5 Hsync signals (per field) we obtain the wipe speed as shown in Table 11.

Wipe resolution varies with each wipe mode. In mode 1 and mode 2, one of 3 resolutions (1H, 2H, 4H) can be selected. In mode 3, wipe is done in units of 4H only.

**Table 11. Wipe speed**  
(NTSC interlace method, H = 262.5)

| Wipe resolution | Wipe speed (entire screen)                                    |
|-----------------|---|
| 1H Unit         | $16.7 \text{ (ms)} \times 262.5 \div 1 \approx 4 \text{ (s)}$ |
| 2H Unit         | $16.7 \text{ (ms)} \times 262.5 \div 2 \approx 2 \text{ (s)}$ |
| 4H Unit         | $16.7 \text{ (ms)} \times 262.5 \div 4 \approx 1 \text{ (s)}$ |

**Table 12. Wipe mode and wipe resolution**

| Mode   | Wipe resolution | Wipespeed   |
|--------|-----------------|-------------|
| Mode 1 | 1H Unit         | about 4 (s) |
|        | 2H Unit         | about 2 (s) |
| Mode 2 | 4H Unit         | about 1 (s) |
|        | 4H Unit         | about 1 (s) |

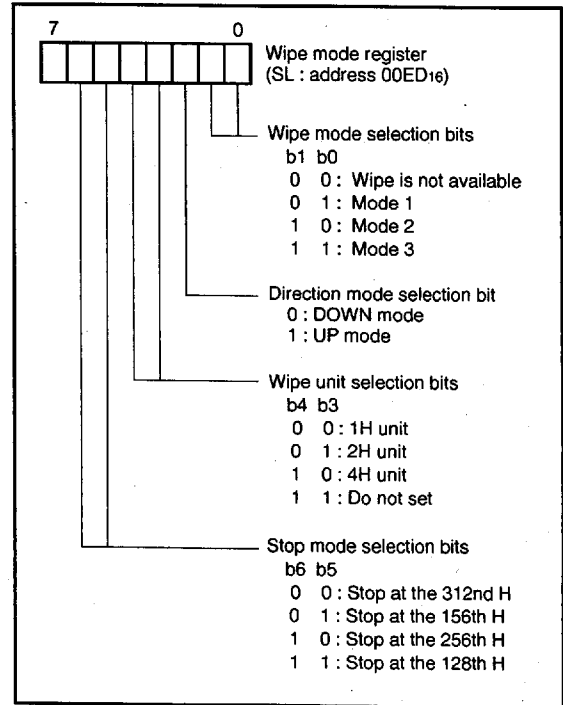


Fig. 48. Structure of scroll mode register

**M37204MC-XXXSP**  
**M37204EC-XXXSP, M37204ECSP**

SINGLE-CHIP 8-BIT CMOS MICROCOMPUTER for VOLTAGE SYNTHESIZER  
 and ON-SCREEN DISPLAY CONTROLLER

**(12) CRT Output Pin Control**

The CRT output pins R, G, B, I and OUT can also function as ports P52, P53, P54, P55 and P56. Set the corresponding bit of the port P5 control register (address 00CB16) to "0" to specify these pins as CRT output pins, or set it to "1" to specify it as a general-purpose port P5 pins.

The input polarity of signals Hsync and Vsync and output polarity of signals R, G, B, I and OUT can be specified with the bits of the CRT port control register (address 00EC16). Set a bit to "0" to specify positive polarity; set it to "1" to specify negative polarity.

The CRT clock I/O pins OSC1, OSC2 are controlled with the port control register (address 020616).

The structure of the CRT port control register is shown in Figure 49. The structure of the port control register is shown in Figure 50.

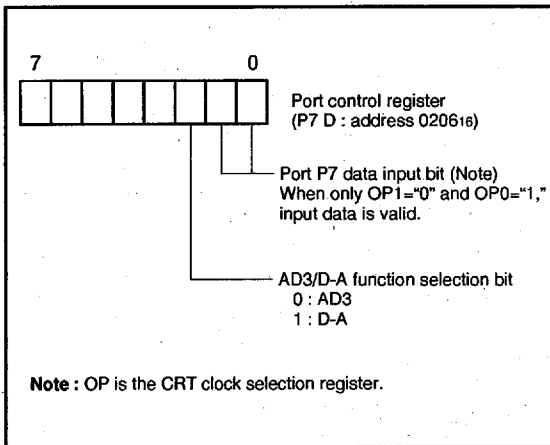


Fig. 50. Structure of port control register

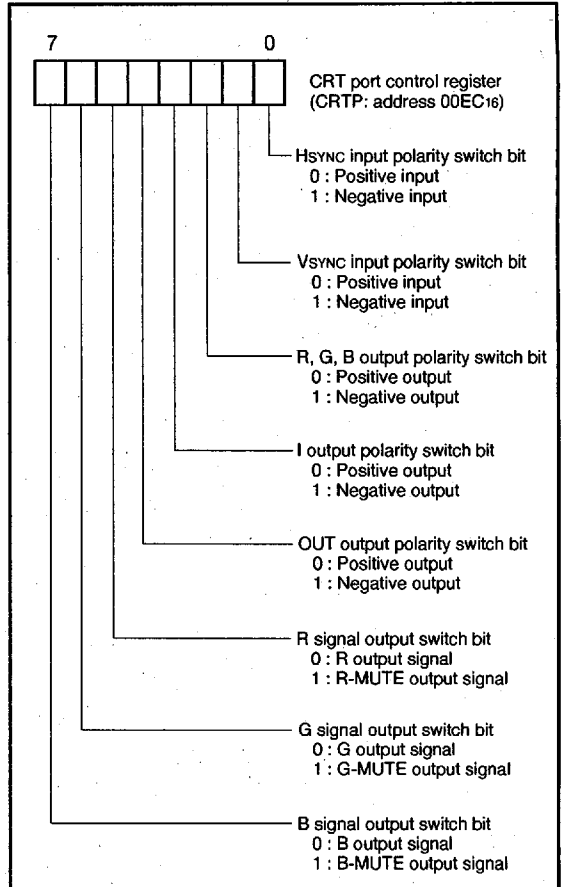


Fig. 49. Structure of CRT port control register

# M37204MC-XXXSP M37204EC-XXXSP, M37204ECSP

SINGLE-CHIP 8-BIT CMOS MICROCOMPUTER for VOLTAGE SYNTHESIZER  
and ON-SCREEN DISPLAY CONTROLLER

## (13) Raster Coloring Function

An entire screen (raster) can be colored by switching each of the R, G, B, I and OUT pins to MUTE output. R, G, B are controlled with the CRT port control register; I is controlled with the CRT control register 2; OUT is controlled with the character size register. 15 raster colors can be obtained.

If the OUT pin has been set to raster coloring output, a raster coloring signal is always output during 1 horizontal scanning period. This setting is necessary for erasing a background TV image.

If the R, G, and B pins have been set to MUTE signal output, a raster coloring signal is output in the part except a no-raster colored character (in Figure 50, a character "O") during 1 horizontal scanning period. This ensures that character colors do not mix with the raster color. In this case, MUTE signal is output from the OUT pin.

An example in which a magenta character "I" and a red character "A" are displayed with blue raster coloring is shown in Figure 51.

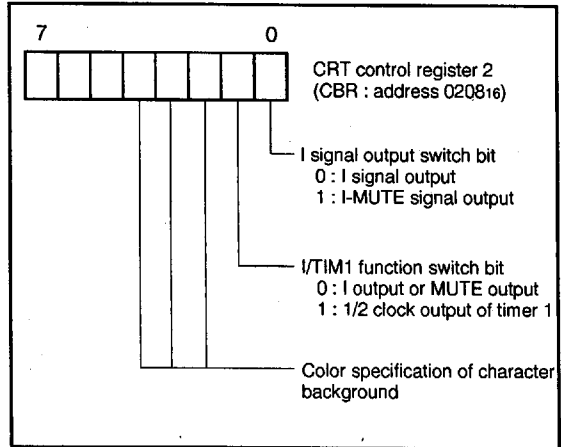


Fig. 52. Structure of CRT control register

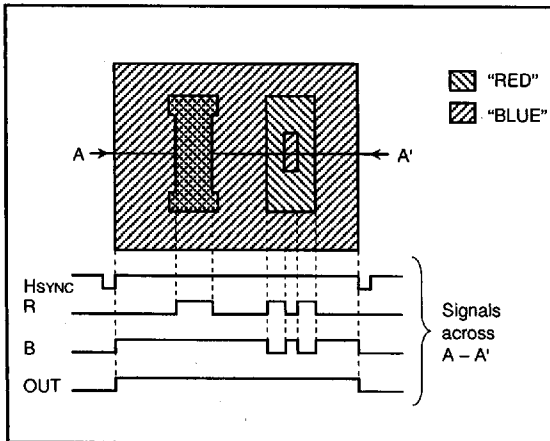


Fig. 51. Example of raster coloring

# M37204MC-XXXSP M37204EC-XXXSP, M37204ECSP

SINGLE-CHIP 8-BIT CMOS MICROCOMPUTER for VOLTAGE SYNTHESIZER  
and ON-SCREEN DISPLAY CONTROLLER

## (14) Clock for Display

As a clock for display to be used for CRT display, it is possible to select one of the following 3 types.

- Main clock supplied from the XIN pin
- Clock from the LC or RC supplied from the pins OSC1 and OSC2.
- Clock from the ceramic resonator or quartz-crystal oscillator supplied from the pins OSC1 and OSC2.

This clock for display can be selected for each block by the CRT clock selection register (address 020916).

When selecting the main clock, set the oscillation frequency to 8 MHz.

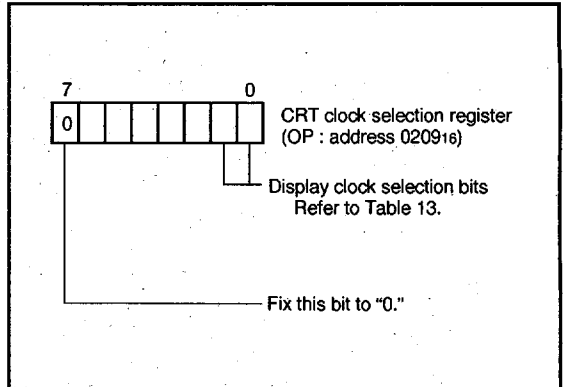


Fig. 53. Structure of CRT clock selection register

Table 13. Set value of CRT clock selection register and clock for display

| b1 | b0 | Functions   | Scanning line double count mode flag (CC6) |
|----|----|---|--|
| 0  | 0  | The clock for display is supplied by connecting RC or LC across the pins OSC1 and OSC2.   | CC6 = "0" or "1"                           |
| 0  | 1  | Since the main clock is used as the clock for display, the oscillation frequency is limited. Because of this, the character size in width (horizontal) direction is also limited. In this case, pins OSC1 and OSC2 are also used as input ports P70 and P71 respectively. | CC6 = "0"                                  |
| 1  | 0  | Do not set  | —  |
| 1  | 1  | The clock for display is supplied by connecting the following across the pins OSC1 and OSC2.<br>• a ceramic resonator only for CRT display and a feedback resistor<br>• a quartz-crystal oscillator only for CRT display and a feedback resistor (Note)                   | CC6 = "0"                                  |

Note: It is necessary to connect other ceramic resonator or quartz-crystal oscillator across the pins XIN and XOUT.

6249828 0025334 T75



**M37204MC-XXXSP**  
**M37204EC-XXXSP, M37204ECSP**

SINGLE-CHIP 8-BIT CMOS MICROCOMPUTER for VOLTAGE SYNTHESIZER  
 and ON-SCREEN DISPLAY CONTROLLER

**INTERRUPT INTERVAL DETERMINATION FUNCTION**

The M37204MC-XXXSP incorporates an interrupt interval determination circuit. This interrupt interval determination circuit has an 8-bit binary up counter as shown in Figure 53. Using this counter, it determines an interval on the INT1 or INT2 (refer to Figure 55).

The following describes how the interrupt interval is determined.

1. The interrupt input to be determined (INT1 input or INT2 input) is selected by using bit 2 in the interrupt interval determination control register (address 00D816). When this bit is cleared to "0," the INT1 input is selected ; when the bit is set to "1," the INT2 input is selected.
2. When the INT1 input is to be determined, the polarity is selected by using bit 3 of the interrupt interval determination control register ; when the INT2 input is to be determined, the polarity is selected by using bit 4 of the interrupt interval determination control register.  
 When the relevant bit is cleared to "0," determination is made of the interval of a positive polarity (rising transition) ; when the bit is set to "1," determination is made of the interval of a negative polarity (falling transition).
3. The reference clock is selected by using bit 1 of the interrupt interval determination control register. When the bit is cleared to "0," a

64  $\mu$ s clock is selected ; when the bit is set to "1," a 32  $\mu$ s clock is selected (based on an oscillation frequency of 4MHz in either case).

4. Simultaneously when the input pulse of the specified polarity (rising or falling transition) occurs on the INT1 pin (or INT2 pin), the 8-bit binary up counter starts counting up with the selected reference clock (64  $\mu$ s or 32  $\mu$ s).
5. Simultaneously with the next input pulse, the value of the 8-bit binary up counter is loaded into the interrupt interval determination register (address 00D716) and the counter is immediately reset ("0016"). The reference clock is input in succession even after the counter is reset, and the counter restarts counting up from "0016."
6. When count value "FE16" is reached, the 8-bit binary up counter stops counting. Then, simultaneously when the next reference clock is input, the counter sets value "FF16" to the interrupt interval determination register. The reference clock is generated by setting bit 0 of the PWM output control register 1 to "0."

6249828 0025335 901



**M37204MC-XXXSP**  
**M37204EC-XXXSP, M37204ECSP**

SINGLE-CHIP 8-BIT CMOS MICROCOMPUTER for VOLTAGE SYNTHESIZER  
 and ON-SCREEN DISPLAY CONTROLLER

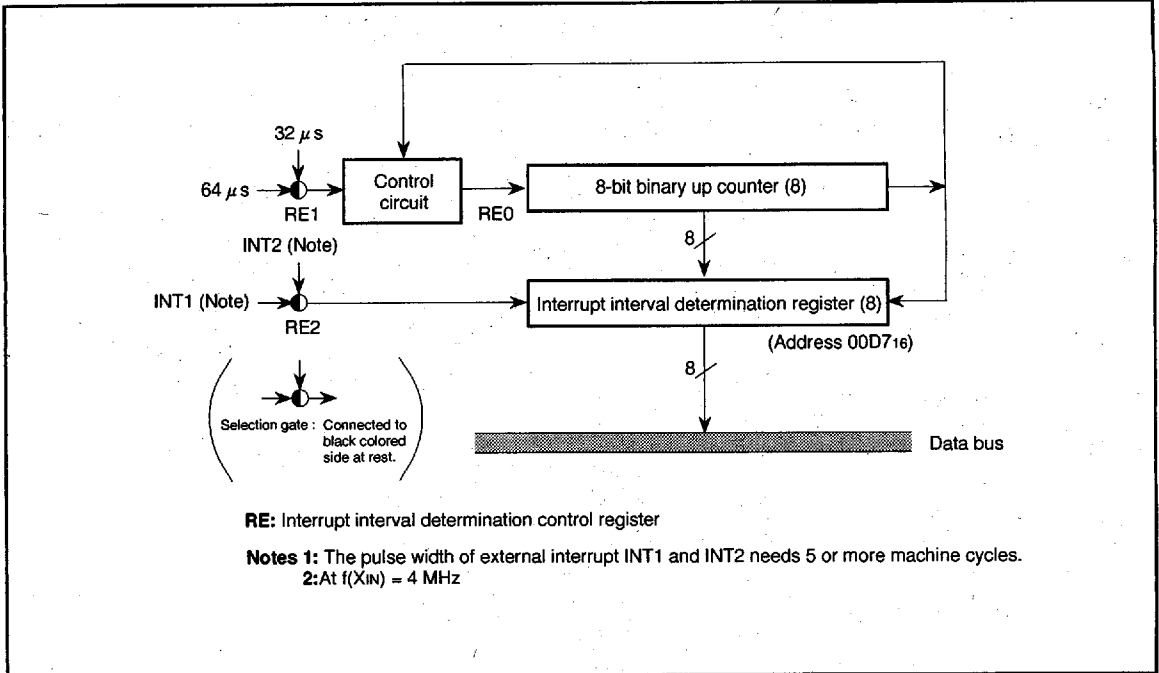


Fig. 54. Block diagram of interrupt interval determination circuit

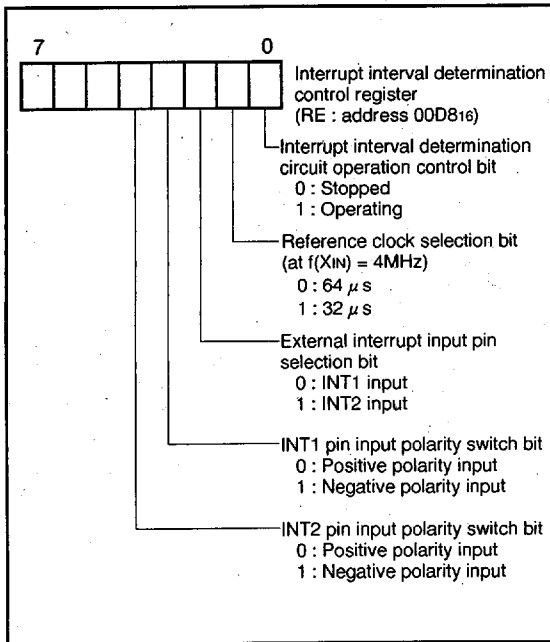


Fig. 55. Structure of interrupt interval determination control register

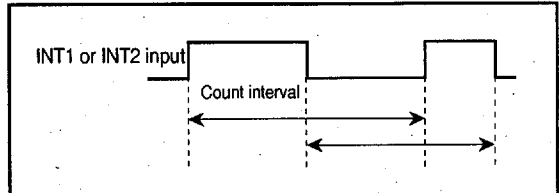


Fig. 56. Measuring interval

# M37204MC-XXXSP M37204EC-XXXSP, M37204ECSP

SINGLE-CHIP 8-BIT CMOS MICROCOMPUTER for VOLTAGE SYNTHESIZER  
and ON-SCREEN DISPLAY CONTROLLER

## RESET CIRCUIT

The M37204MC-XXXSP is reset according to the sequence shown in Figure 57. It starts the program from the address formed by using the content of address FFFF<sub>16</sub> as the high-order address and the content of the address FFFE<sub>16</sub> as the low-order address, when the RESET pin is held at "L" level for 2  $\mu$ s or more while the power source voltage is 5 V  $\pm$  10 % and the oscillation of a quartz-crystal oscillator or a ceramic resonator is stable and then returned to "H" level. The internal state of microcomputer at reset are shown in Figures 3 to 6. An example of the reset circuit is shown in Figure 58. The reset input voltage must be kept 0.6 V or less until the power source voltage surpasses 4.5 V.

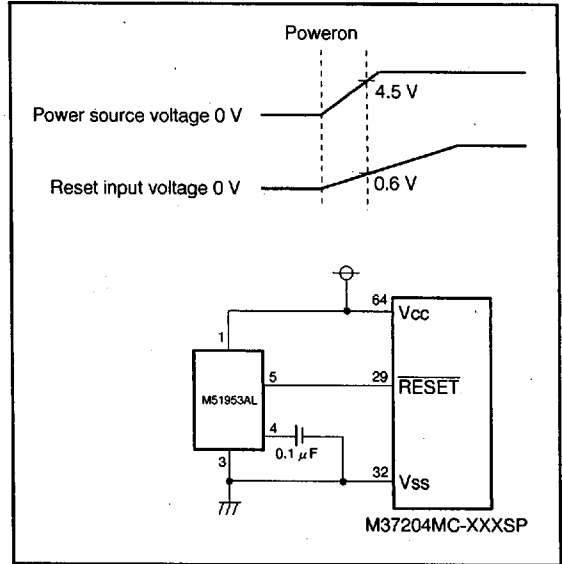


Fig. 58. Example of reset circuit

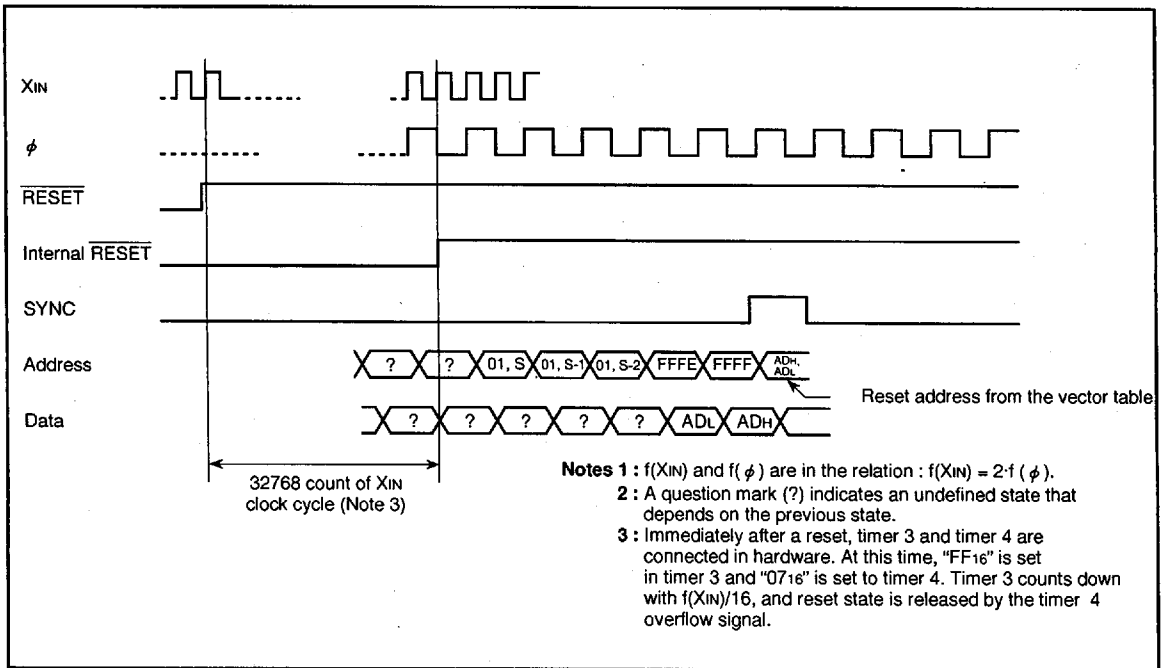


Fig. 57. Reset sequence

# M37204MC-XXXSP M37204EC-XXXSP, M37204ECSP

SINGLE-CHIP 8-BIT CMOS MICROCOMPUTER for VOLTAGE SYNTHESIZER and ON-SCREEN DISPLAY CONTROLLER

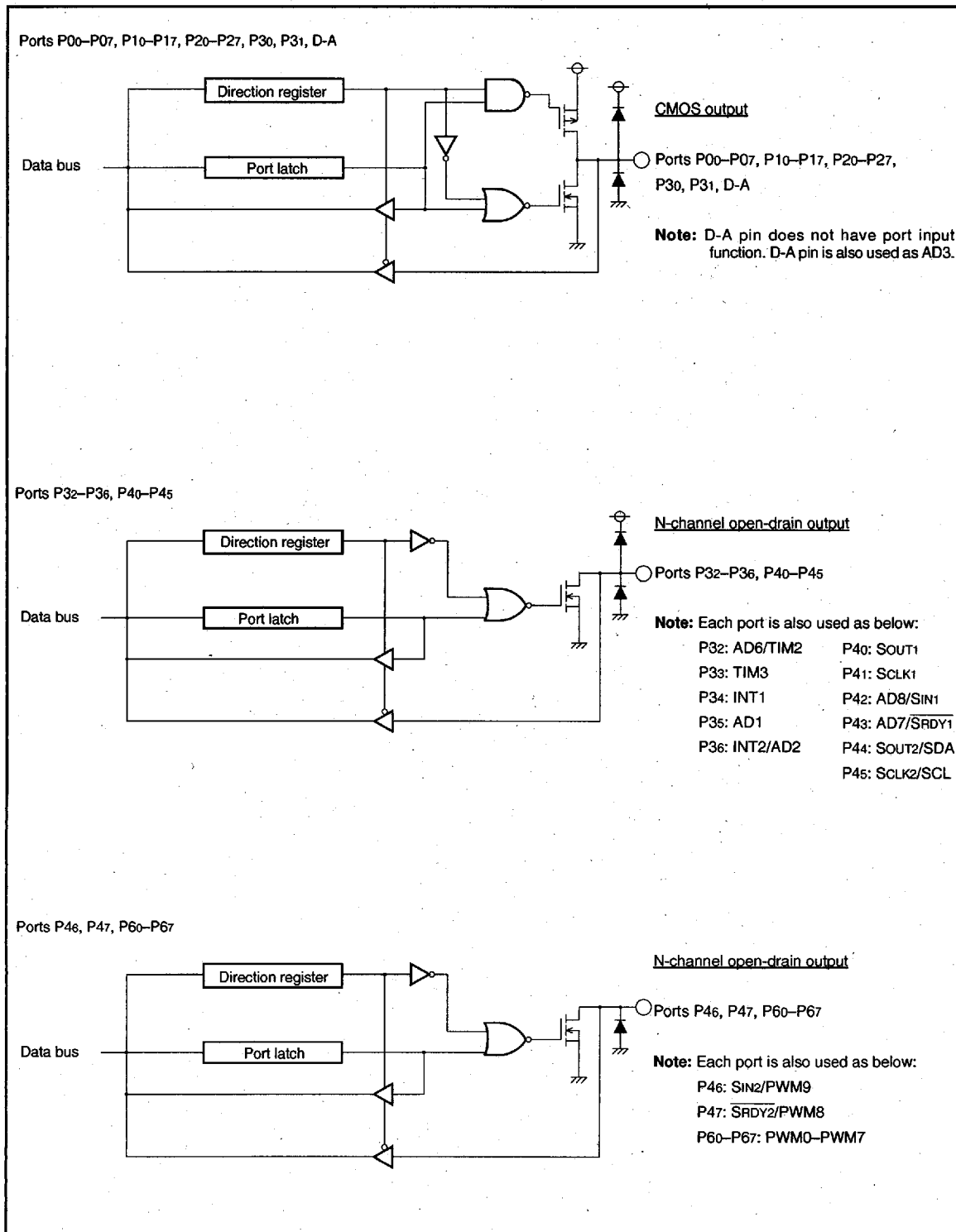


Fig. 59. I/O pin block diagram (1)

**M37204MC-XXXSP**  
**M37204EC-XXXSP, M37204ECSP**

SINGLE-CHIP 8-BIT CMOS MICROCOMPUTER for VOLTAGE SYNTHESIZER  
 and ON-SCREEN DISPLAY CONTROLLER

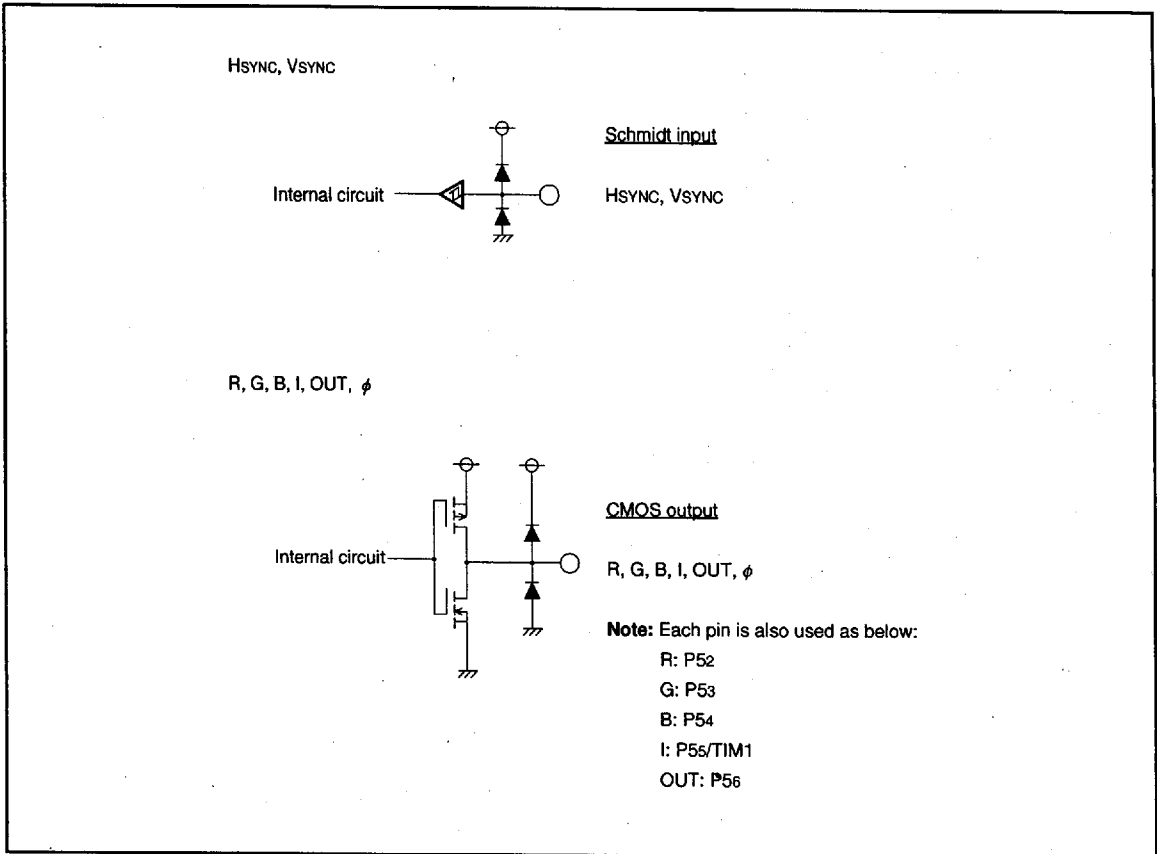


Fig. 60. I/O pin block diagram (2)

6249828 0025339 557



# M37204MC-XXXSP M37204EC-XXXSP, M37204ECSP

SINGLE-CHIP 8-BIT CMOS MICROCOMPUTER for VOLTAGE SYNTHESIZER  
and ON-SCREEN DISPLAY CONTROLLER

## DISPLAY OSCILLATION CIRCUIT

The CRT display clock oscillation circuit has a built-in clock oscillation circuits, so that a clock for CRT display can be obtained simply by connecting an LC, an RC, a quartz-crystal oscillator or a ceramic resonator across the pins OSC1 and OSC2. Select the clock for display with bits 0 and 1 of the CRT clock selection register (address 020916).

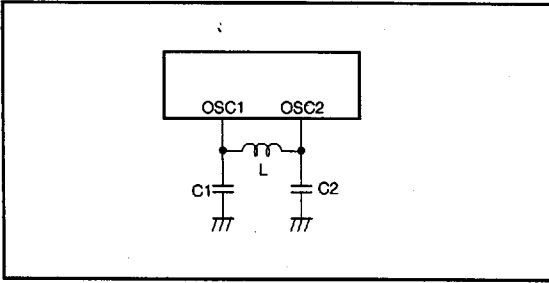


Fig. 64. Display oscillation circuit

## AUTO-CLEAR CIRCUIT

When power source is supplied, the auto-clear function can be performed by connecting the following circuit to the RESET pin.

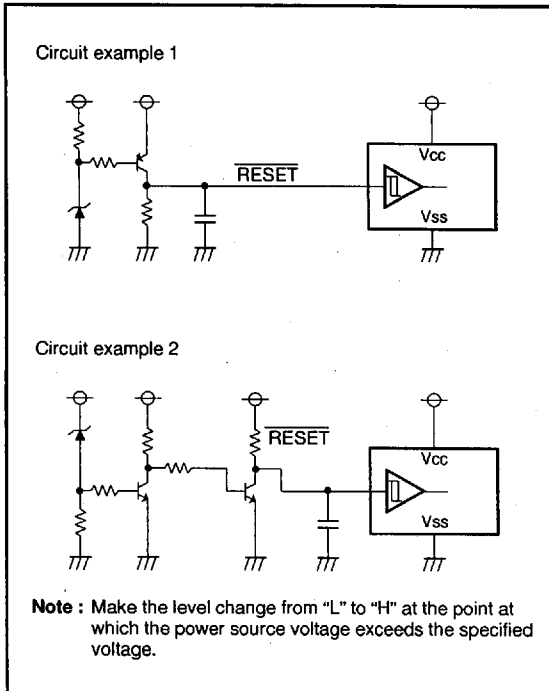


Fig. 65. Auto-clear circuit example

## ADDRESSING MODE

The memory access is reinforced with 17 kinds of addressing modes. Refer to the SERIES 740 <Software> User's Manual for details.

## MACHINE INSTRUCTIONS

There are 71 machine instructions. Refer to the SERIES 740 <Software> User's Manual for details.

## PROGRAMMING NOTES

- (1) The divide ratio of the timer is  $1/(n+1)$ .
- (2) Even though the BBC and BBS instructions are executed immediately after the interrupt request bits are modified (by the program), those instructions are only valid for the contents before the modification. At least one instruction cycle (such as an NOP) between the modification of the interrupt request bits and the execution of the BBC and BBS instructions.
- (3) After the ADC and SBC instructions are executed (in decimal mode), one instruction cycle (such as an NOP) is needed before the SEC, CLC, or CLD instruction is executed.
- (4) An NOP instruction is needed immediately after the execution of a PLP instruction.
- (5) In order to avoid noise and latch-up, connect a bypass capacitor ( $\approx 0.1 \mu\text{F}$ ) directly between the Vcc pin-Vss pin and the Vcc pin-CNVss pin using a thick wire.
- (6) Note that the addresses of the M37204MC-XXXSP are different from the addresses of the M37204M8-XXXSP.

6249828 0025341 105

**M37204MC-XXXSP**  
**M37204EC-XXXSP, M37204ECSP**

SINGLE-CHIP 8-BIT CMOS MICROCOMPUTER for VOLTAGE SYNTHESIZER  
 and ON-SCREEN DISPLAY CONTROLLER

**DATA REQUIRED FOR MASK ORDERS**

The following are necessary when ordering a mask ROM production:

- (1) Mask ROM Order Confirmation Form
- (2) Mask Specification Form
- (3) Data to be written to ROM, in EPROM form (28-pin DIP type 27512, three identical copies)

**PROM Programming Method**

The built-in PROM of the One Time PROM version (blank) and built-in EPROM version can be read or programmed with a general-purpose PROM programmer using a special programming adapter.

| Product    | Name of Programming Adapter |
|------------|-----------------------------|
| M37204ECSP | PCA4762                     |

The PROM of the One Time PROM version (blank) is not tested or screened in the assembly process and following processes. To ensure proper operation after programming, the procedure shown in Figure 66 is recommended to verify programming.

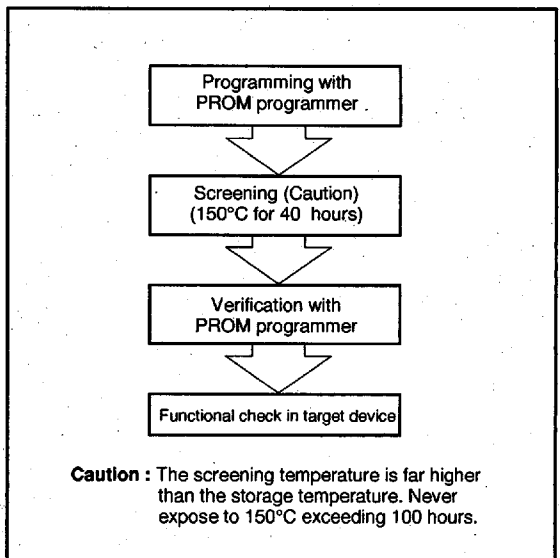


Fig. 66. Programming and testing of One Time PROM version

■ 6249828 0025342 041 ■



**M37204MC-XXXSP**  
**M37204EC-XXXSP, M37204ECSP**

SINGLE-CHIP 8-BIT CMOS MICROCOMPUTER for VOLTAGE SYNTHESIZER  
and ON-SCREEN DISPLAY CONTROLLER

**ABSOLUTE MAXIMUM RATINGS**

| Symbol | Parameter   | Conditions   | Ratings           | Unit |
|--------|---|--|-------------------|------|
| VCC    | Power source voltage VCC  | All voltages are based on VSS. Output transistors are cut off. | -0.3 to 6         | V    |
| Vi     | Input voltage CNVSS   |  | -0.3 to 6         | V    |
| Vi     | Input voltage P00-P07, P10-P17, P20-P27, P30-P36, P40-P47, P60-P67, P70, P71, OSC1, XIN, HSYNC, VSYNC, RESET, AD1-AD8 |  | -0.3 to VCC + 0.3 | V    |
| VO     | Output voltage P00-P07, P10-P17, P20-P27, P30-P36, P40-P45, R, G, B, I, OUT, D-A, XOUT, OSC2                          |  | -0.3 to VCC + 0.3 | V    |
| VO     | Output voltage P46, P47, P60-P67  |  | -0.3 to 13        | V    |
| IOH    | Circuit current R, G, B, I, OUT, P00-P07, P10-P17, P20-P27, P30, P31, D-A   |  | 0 to 1 (Note 1)   | mA   |
| IOL1   | Circuit current R, G, B, I, OUT, P00-P07, P10-P17, P20-P23, P30-P36, P40-P43, D-A                                     |  | 0 to 2 (Note 2)   | mA   |
| IOL2   | Circuit current P46, P47, P60-P67   |  | 0 to 1 (Note 2)   | mA   |
| IOL3   | Circuit current P24-P27   |  | 0 to 10 (Note 3)  | mA   |
| IOL4   | Circuit current P44, P45  |  | 0 to 3 (Note 2)   | mA   |
| Pd     | Power dissipation   | Ta = 25 °C   | 550               | mW   |
| Topr   | Operating temperature   |  | -10 to 70         | °C   |
| Tstg   | Storage temperature   |  | -40 to 125        | °C   |

**RECOMMENDED OPERATING CONDITIONS** (Ta = -10 °C to 70 °C, VCC = 5 V ± 10 %, unless otherwise noted)

| Symbol | Parameter  | Limits               |      |         | Unit |     |
|--------|--|----------------------|------|---------|------|-----|
|        |  | Min.                 | Typ. | Max.    |      |     |
| VCC    | Power source voltage (Note 4), During CPU, CRT operation   | 4.5                  | 5.0  | 5.5     | V    |     |
| VSS    | Power source voltage   | 0                    | 0    | 0       | V    |     |
| VIH1   | "H" input voltage P00-P07, P10-P17, P20-P27, P30-P36, P40-P43, P46, P47, P60-P67, P70, P71, HSYNC, VSYNC, RESET, XIN, OSC1 | 0.8VCC               |      | VCC     | V    |     |
| VIH2   | "H" input voltage P44, P45   | 0.7VCC               |      | VCC     | V    |     |
| VIL1   | "L" input voltage P00-P07, P10-P17, P20-P27, P30-P36, P40-P47, P60-P67, P70, P71   | 0                    |      | 0.4 VCC | V    |     |
| VIL2   | "L" input voltage HSYNC, VSYNC, RESET, TIM2, TIM3, INT1, INT2, SOUT1, SCLK1, SIN1, SDA, SCL, XIN, OSC1                     | 0                    |      | 0.2 VCC | V    |     |
| IOH    | "H" average output current (Note 1) R, G, B, I, OUT, D-A, P00-P07, P10-P17, P20-P27, P30, P31                              |                      |      | 1       | mA   |     |
| IOL1   | "L" average output current (Note 2) R, G, B, I, OUT, D-A, P00-P07, P10-P17, P20-P23, P30-P36, P40-P43                      |                      |      | 2       | mA   |     |
| IOL2   | "L" average output current (Note 2) P46, P47, P60-P67  |                      |      | 1       | mA   |     |
| IOL3   | "L" average output current (Note 3) P24-P27  |                      |      | 10      | mA   |     |
| IOL4   | "L" average output current (Note 2) P44, P45   |                      |      | 3       | mA   |     |
| fCPU   | Oscillation frequency (for CPU operation) (Note 5) XIN   | 3.6                  | 4.0  | 8.1     | MHz  |     |
| fCRT   | Oscillation frequency (for CRT display) (Note 6)   | In ordinary mode     | 6.0  | 7.0     | 8.0  | KHz |
|        |  | In double count mode | 12.0 | 13.0    | 14.0 | MHz |
| fhs1   | Input frequency TIM2, TIM3, INT1, INT2, SCL  |                      |      | 100     | KHz  |     |
| fhs2   | Input frequency SCLK1, SCLK2   |                      |      | 1       | MHz  |     |

■ 6249828 0025343 T88 ■



# M37204MC-XXXSP

## M37204EC-XXXSP, M37204ECSP

SINGLE-CHIP 8-BIT CMOS MICROCOMPUTER for VOLTAGE SYNTHESIZER  
and ON-SCREEN DISPLAY CONTROLLER

### ELECTRIC CHARACTERISTICS (V<sub>CC</sub> = 5 V ± 10 %, V<sub>SS</sub> = 0 V, f(XIN) = 4 MHz, T<sub>a</sub> = -10 °C to 70 °C, unless otherwise noted)

| Symbol           | Parameter               |  | Test conditions                                      |         | Limits |      |      | Unit |
|------------------|-------------------------|--|--|---------|--------|------|------|------|
|                  |                         |  |  |         | Min.   | Typ. | Max. |      |
| I <sub>CC</sub>  | Power source current    | System operation   | V <sub>CC</sub> = 5.5 V,<br>f(XIN) = 4 MHz           | CRT OFF |        | 10   | 20   | mA   |
|                  |                         |  |  | CRT ON  |        | 20   | 50   |      |
|                  |                         |  | V <sub>CC</sub> = 5.5 V,<br>f(XIN) = 8 MHz           | CRT OFF |        | 20   | 40   |      |
|                  |                         |  |  | CRT ON  |        | 30   | 60   |      |
|                  | Stop mode               | V <sub>CC</sub> = 5.5 V,<br>f(XIN) = 0                                     |  |         |        | 300  | μA   |      |
| VOH              | "H" output voltage      | R, G, B, I, OUT, P00-P07,<br>P10-P17, P20-P27, D-A, P30,<br>P31            | V <sub>CC</sub> = 4.5 V<br>I <sub>OH</sub> = -0.5 mA |         | 2.4    |      |      | V    |
| VOL              | "L" output voltage      | R, G, B, I, OUT, P00-P07,<br>P10-P17, P20-P23, P30-P36,<br>P40-P43, D-A    | V <sub>CC</sub> = 4.5 V<br>I <sub>OL</sub> = 0.5 mA  |         |        |      | 0.4  | V    |
|                  | "L" output voltage      | P46, P47, P60-P67  | V <sub>CC</sub> = 4.5 V<br>I <sub>OL</sub> = 0.5 mA  |         |        |      | 0.4  |      |
|                  | "L" output voltage      | P24-P27  | V <sub>CC</sub> = 4.5 V<br>I <sub>OL</sub> = 10.0 mA |         |        |      | 3.0  |      |
|                  | "L" output voltage      | P44, P45   | V <sub>CC</sub> = 4.5 V<br>I <sub>OL</sub> = 3.0 mA  |         |        |      | 0.4  |      |
| VT+ - VT-        | Hysteresis              | RESET  | V <sub>CC</sub> = 5.0 V                              |         |        | 0.5  | 0.7  | V    |
|                  | Hysteresis (Note 7)     | HSYNC, VSYNC, P32-P34, P36,<br>P40-P42, P44-P46                            | V <sub>CC</sub> = 5.0 V                              |         |        | 0.5  | 1.3  |      |
| I <sub>IZH</sub> | "H" input leak current  | RESET, P00-P07, P10-P17,<br>P20-P27, P30-P36, P40-P46,<br>AD1-AD8          | V <sub>CC</sub> = 5.5 V<br>V <sub>I</sub> = 5.5 V    |         |        |      | 5    | μA   |
| I <sub>IZL</sub> | "L" input leak current  | RESET, P00-P07, P10-P17,<br>P20-P27, P30-P36, P40-P47,<br>P60-P67, AD1-AD8 | V <sub>CC</sub> = 5.5 V<br>V <sub>I</sub> = 0 V      |         |        |      | 5    | μA   |
| I <sub>OZH</sub> | "H" output leak current | P46, P47, P60-P67  | V <sub>CC</sub> = 5.5 V<br>V <sub>O</sub> = 12 V     |         |        |      | 10   | μA   |

**Notes 1:** The total current that flows out of the IC must be 20 mA or less.

**2:** The total input current to IC (I<sub>OL1</sub> + I<sub>OL2</sub> + I<sub>OL4</sub>) must be 30 mA or less.

**3:** The total average input current for ports P24-P27 to IC must be 20 mA or less.

**4:** Connect 0.022 μF or more capacitor externally across the power source pins V<sub>CC</sub>-V<sub>SS</sub> so as to reduce power source noise.

Also connect 0.068 μF or more capacitor externally across the pins V<sub>CC</sub>-CNV<sub>SS</sub>.

**5:** Use a quartz-crystal oscillator or a ceramic resonator for the CPU oscillation circuit.

**6:** Use a RC or an LC for the CRT oscillation circuit.

**7:** P32-P34, P36 have the hysteresis when these pins are used as interrupt input pins or timer input pins. P40-P42, P44-P46 have the hysteresis when these pins are used as serial I/O pins.

■ 6249828 0025344 914 ■

# M5M44100BJ,L,TP,RT-5,-6,-7,-8,-5S,-6S,-7S,-8S

## FAST PAGE MODE 4194304-BIT(4194304-WORD BY 1-BIT)DYNAMIC RAM

Note 28. Self refresh sequence

Two refreshing ways should be used properly depending on the low pulse width ( $t_{RASS}$ ) of  $\overline{RAS}$  signal during self refresh period.

1. In case of  $t_{RASS} < 300ms$

1.1 Distributed refresh during Read/Write operation

(A) Timing Diagrams

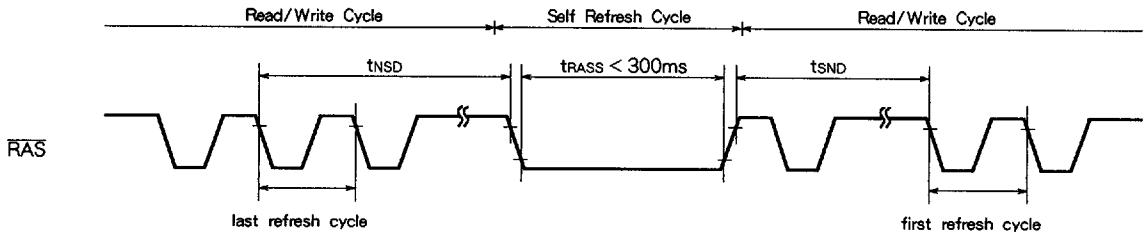


Table 2

| Read/Write Cycle                          | Read/Write → Self Refresh       | Self Refresh → Read/Write |
|---|---------------------------------|---------------------------|
| CBR distributed refresh                   | $t_{NSD} + t_{SND} \leq 16.4ms$ |                           |
| $\overline{RAS}$ only distributed refresh | $t_{NSD} \leq 16 \mu s$         | $t_{SND} \leq 16 \mu s$   |

(B) Definition of refresh

Definition of CBR distributed refresh

The CBR distributed refresh performs more than 1024 discrete CBR cycles within 16.4 ms.

Definition of  $\overline{RAS}$  only distributed refresh

All combination of ten row address signals ( $A_0 \sim A_9$ ) are selected during 1024 discrete  $\overline{RAS}$  only refresh cycles within 16.4 ms.

1.1.1 CBR distributed Refresh

- Switching from read/write operation to self refresh operation. The time interval from the falling edge of  $\overline{RAS}$  signal in the last CBR refresh cycle during read/write operation period to the falling edge of  $\overline{RAS}$  signal at the start of self refresh operation should be set within  $t_{NSD}$  (shown in table 2).
- Switching from self refresh operation to read/write operation. The time interval from the rising edge of  $\overline{RAS}$  signal at the end of self refresh operation to the falling edge of  $\overline{RAS}$  signal in the first CBR refresh cycle during read/write operation period should be set within  $t_{SND}$  (shown in table 2).

1.1.2  $\overline{RAS}$  only distributed refresh

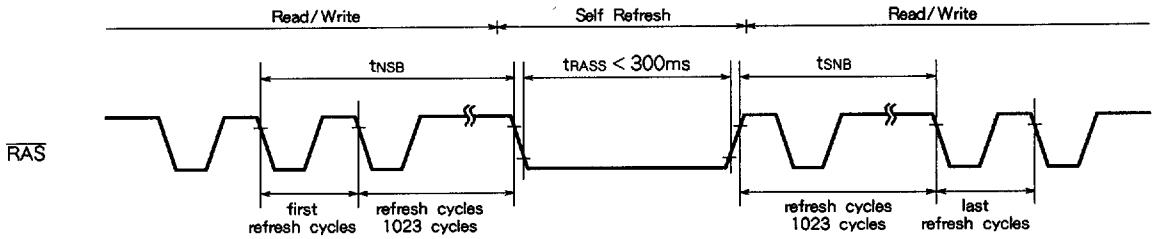
- Switching from read/write operation to self refresh operation. The time interval  $t_{NSD}$  from the falling edge of  $\overline{RAS}$  signal in the last  $\overline{RAS}$  only refresh cycle during read/write operation period to the falling edge of  $\overline{RAS}$  signal at the start of self refresh operation should be set within  $16 \mu s$ .
- Switching from self refresh operation to read/write operation. The time interval  $t_{SND}$  from the rising edge of  $\overline{RAS}$  signal at the end of self refresh operation to the falling edge of  $\overline{RAS}$  signal in the first CBR refresh cycle during read/write operation period should be set within  $16 \mu s$ .

# M5M44100BJ,L,TP,RT-5,-6,-7,-8,-5S,-6S,-7S,-8S

## FAST PAGE MODE 4194304-BIT(4194304-WORD BY 1-BIT)DYNAMIC RAM

### 1.2 Burst refresh during Read/Write operation

#### (A) Timing diagram



**Table 3**

| Read/Write Cycle                    | Read/Write → Self Refresh       | Self Refresh → Read/Write |
|-------------------------------------|---------------------------------|---------------------------|
| CBR burst refresh                   | $t_{nsb} \leq 16.4ms$           | $t_{nsb} \leq 16.4ms$     |
| $\overline{RAS}$ only burst refresh | $t_{nsb} + t_{nsb} \leq 16.4ms$ |                           |

#### (B) Definition of burst refresh

##### Definition of CBR burst refresh

The CBR burst refresh performs more than 1024 continuous CBR cycles within 16.4ms.

##### Definition of $\overline{RAS}$ only burst refresh

All combination of ten row address signals ( $A_0 \sim A_9$ ) are selected during 1024 continuous  $\overline{RAS}$  only refresh cycles within 16.4 ms.

#### 1.2.1 CBR distributed Refresh

- Switching from read/write operation to self refresh operation. The time interval  $t_{nsb}$  from the falling edge of  $\overline{RAS}$  signal in the first CBR refresh cycle during read/write operation period to the falling edge of  $\overline{RAS}$  signal at the start of self refresh operation should be set within 16.4 ms.
- Switching from self refresh operation to read/write operation. The time interval  $t_{nsb}$  from the rising edge of  $\overline{RAS}$  signal at the end of self refresh operation to the falling edge of  $\overline{RAS}$  signal in the last CBR refresh cycle during read/write operation period should be set within 16.4 ms.

#### 1.2.2 $\overline{RAS}$ only distributed refresh

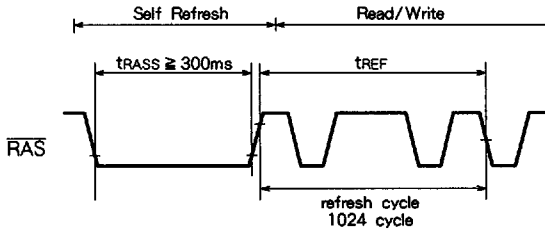
- Switching from read/write operation to self refresh operation. The time interval from the falling edge of  $\overline{RAS}$  signal in the first  $\overline{RAS}$  only refresh cycle during read/write operation period to the falling edge of  $\overline{RAS}$  signal at the start of self refresh operation should be set within  $t_{nsb}$  (shown in table 3).
- Switching from self refresh operation to read/write operation. The time interval from the rising edge of  $\overline{RAS}$  signal at the end of self refresh operation to the falling edge of  $\overline{RAS}$  signal in the last  $\overline{RAS}$  only refresh cycle during read/write operation period should be set within  $t_{nsb}$  (shown in table 3).

# M5M44100BJ,L,TP,RT-5,-6,-7,-8,-5S,-6S,-7S,-8S

## FAST PAGE MODE 4194304-BIT(4194304-WORD BY 1-BIT)DYNAMIC RAM

2. In case of  $t_{RASS} \geq 300ms$

(A) Timing diagram



**Table 4**

| Read/Write                                | Self Refresh→Read/Write |
|---|-------------------------|
| CBR distributed refresh                   | $t_{REF} \leq 16.4ms$   |
| $\overline{RAS}$ only distributed refresh |                         |
| CBR burst refresh                         |                         |
| $\overline{RAS}$ only burst refresh       |                         |

(B) Definition of refresh

The same as 1.1-(B) and 1.2-(B)

2.1

Regardless of the refresh (CBR distributed refresh,  $\overline{RAS}$  only distributed refresh, CBR burst refresh,  $\overline{RAS}$  only burst refresh) during Read/Write operation the minimum of 1024 cycles refresh should be performed within 16.4 ms from the rising edge of  $\overline{RAS}$  signal at the end of self refresh operation.