

DuSLIC

Dual Channel Subscriber Line
Interface Circuit

PEB 3264/-2 Version 1.2

PEB 4264/-2 Version 1.1

PEB 3265 Version 1.2

PEB 4265/-2 Version 1.1

PEB 4266 Version 1.1

Wired
Communications



Never stop thinking.

Edition 2000-07-14

**Published by Infineon Technologies AG,
St.-Martin-Strasse 53,
D-81541 München, Germany**

**© Infineon Technologies AG 8/16/00.
All Rights Reserved.**

Attention please!

The information herein is given to describe certain components and shall not be considered as warranted characteristics.

Terms of delivery and rights to technical change reserved.

We hereby disclaim any and all warranties, including but not limited to warranties of non-infringement, regarding circuits, descriptions and charts stated herein.

Infineon Technologies is an approved CECC manufacturer.

Information

For further information on technology, delivery terms and conditions and prices please contact your nearest Infineon Technologies Office in Germany or our Infineon Technologies Representatives worldwide (see address list).

Warnings

Due to technical requirements components may contain dangerous substances. For information on the types in question please contact your nearest Infineon Technologies Office.

Infineon Technologies Components may only be used in life-support devices or systems with the express written approval of Infineon Technologies, if a failure of such components can reasonably be expected to cause the failure of that life-support device or system, or to affect the safety or effectiveness of that device or system. Life support devices or systems are intended to be implanted in the human body, or to support and/or maintain and sustain and/or protect human life. If they fail, it is reasonable to assume that the health of the user or other persons may be endangered.

DuSLIC

Dual Channel Subscriber Line
Interface Circuit

PEB 3264/-2 Version 1.2

PEB 4264/-2 Version 1.1

PEB 3265 Version 1.2

PEB 4265/-2 Version 1.1

PEB 4266 Version 1.1

Wired
Communications



DuSLIC**Preliminary****Revision History:** 2000-07-14

DS2

Previous Version: Data Sheet DS1

Page	Subjects (major changes since last revision)
Page 15	Usage of the term <i>SLICOFI-2x</i> as synonym used for all codec versions SLICOFI-2/-2S/-2S2.
Page 33	Chapter 3.1 "Functional Overview" completely updated.
Page 94	Chapter 4.7.2 "Power Dissipation of SLICOFI-2": Power dissipation tables were replaced by cross-references to Chapter 7 .
Page 107	Chapter 4.8 "Integrated Test and Diagnosis Functions" replaces the former chapter "Test Modes".
Page 132	Chapter 4.9 "Signal Path and Test Loops": updated figures.
Page 137	Chapter 4.10 "Caller ID Buffer Handling of SLICOFI-2" added.
Page 162	Figure 70 "Interface SLICOFI-2 and SLIC-P": Pin IO1A on PEB 3265 was replaced by pin IO2A.
Page 174	Register XCR: Bit PLL-LOOP removed.
Page 204	Register LMCR2: Description for bit LM-NOTCH changed.
Page 228	Chapter 6.2.3 "POP Commands": General update and partially renaming of POP commands.
Page 317	Chapter 7 : Electrical characteristics and AC transmission performance completely updated.
Page 342	Chapter 7.4.6 "Digital Interface": Test condition current I_0 for Low-output voltage V_{OLDU} for PEB 3264/-2 was lowered to $I_0 = -30$ mA.
Page 367	Chapter 8 "Application Circuits" completely overworked.

For questions on technology, delivery and prices please contact the Infineon Technologies Offices in Germany or the Infineon Technologies Companies and Representatives worldwide: see our webpage at <http://www.infineon.com>.

Table of Contents		Page
1	Overview	16
1.1	Features	19
1.2	Logic Symbols	20
1.3	Typical Applications	22
2	Pin Descriptions	23
2.1	Pin Diagram SLIC	23
2.2	Pin Diagram SLICOFI-2/-2S/-2S2	28
3	Functional Description	33
3.1	Functional Overview	33
3.1.1	Basic Functions available for all DuSLIC Chip Sets	33
3.1.2	Additional Functions available for DuSLIC-E/-E2/-P Chip Sets	34
3.2	Block Diagrams	36
3.3	DC Feeding	40
3.3.1	DC Characteristic Feeding Zones	41
3.3.2	Constant Current Zone	42
3.3.3	Resistive Zone	43
3.3.4	Constant Voltage Zone	44
3.3.5	Programmable Voltage and Current Range of DC Characteristic	45
3.3.6	SLIC Power Dissipation	46
3.3.7	Necessary Voltage Reserve	47
3.3.8	Extended Battery Feeding	48
3.4	AC Transmission Characteristics	49
3.4.1	Transmit Path	50
3.4.2	Receive Path	50
3.4.3	Impedance Matching	51
3.5	Ringling	52
3.5.1	Ringer Load	52
3.5.2	Ring Trip	52
3.5.3	Ringling Methods	53
3.5.4	DuSLIC Ringling Options	54
3.5.5	Internal Balanced Ringling via SLICs	57
3.5.6	Internal Unbalanced Ringling with SLIC-P	58
3.5.7	External Unbalanced Ringling	59
3.6	Signaling (Supervision)	59
3.7	Metering	61
3.7.1	Metering by 12/16 kHz Sinusoidal Bursts	61
3.7.2	Metering by Polarity Reversal	62
3.7.2.1	Soft Reversal	62
3.8	DuSLIC Enhanced Signal Processing Capabilities	63
3.8.1	DTMF Generation and Detection	64
3.8.2	Caller ID Generation (only DuSLIC-E/-E2/-P)	66

Table of Contents		Page
3.8.3	Line Echo Cancelling (LEC) (only DuSLIC-E/-E2/-P)	69
3.8.4	Universal Tone Detection (UTD) (only DuSLIC-E/-E2/-P)	70
3.8.5	MIPS Requirements for EDSP Capabilities	71
3.9	Message Waiting Indication (only DuSLIC-E/-E2/-P)	72
3.10	Three-party Conferencing (only DuSLIC-E/-E2/-P)	74
3.10.1	Conferencing Modes	75
3.11	16 kHz Mode on PCM Highway	76
4	Operational Description	78
4.1	Operating Modes for the DuSLIC Chip Set	78
4.2	Operating Modes for the DuSLIC-S/-S2 Chip Set	82
4.3	Operating Modes for the DuSLIC-E/-E2 Chip Set	84
4.4	Operating Modes for the DuSLIC-P Chip Set	86
4.5	Reset Mode and Reset Behavior	88
4.5.1	Hardware and Power On Reset	88
4.5.2	Software Reset	90
4.6	Interrupt Handling	92
4.7	Operating Modes and Power Management	93
4.7.1	Introduction	93
4.7.2	Power Dissipation of the <i>SLICOFI-2x</i>	94
4.7.3	Power Dissipation of the SLIC	95
4.7.3.1	Power Down Modes	95
4.7.3.2	Active Mode	95
4.7.3.3	SLIC Power Consumption Calculation in Active Mode	96
4.7.3.4	Ringing Modes	101
4.7.3.5	SLIC Power Consumption Calculation in Ringing Mode	103
4.8	Integrated Test and Diagnosis Functions (ITDF)	107
4.8.1	Introduction	107
4.8.1.1	Conventional Line Testing	107
4.8.1.2	DuSLIC Line Testing	107
4.8.2	Diagnostics	108
4.8.2.1	Line Test Capabilities	108
4.8.2.2	Integrated Signal Sources	108
4.8.2.3	Result Register Data Format	110
4.8.2.4	Using the Levelmeter Integrator	110
4.8.2.5	DC Levelmeter	112
4.8.2.6	AC Levelmeter	117
4.8.2.7	Levelmeter Threshold	121
4.8.2.8	Current Offset Error Compensation	122
4.8.2.9	Loop Resistance Measurements	123
4.8.2.10	Line Resistance Tip/GND and Ring/GND	125
4.8.2.11	Capacitance Measurements	126
4.8.2.12	Line Capacitance Measurements Ring and Tip to GND	129

Table of Contents		Page
4.8.2.13	Foreign- and Ring Voltage Measurements	129
4.9	Signal Path and Test Loops	132
4.9.1	Test Loops DuSLIC-E/-E2/-P	132
4.9.2	Test Loops DuSLIC-S/-S2	134
4.10	Caller ID Buffer Handling of SLICOFI-2	137
5	Interfaces	138
5.1	PCM Interface with a Serial Microcontroller Interface	138
5.1.1	PCM Interface	138
5.1.2	Control of the Active PCM Channels	142
5.1.3	Serial Microcontroller Interface	143
5.2	The IOM-2 Interface	145
5.2.1	IOM-2 Interface Monitor Transfer Protocol	148
5.2.2	SLICOFI-2x Identification Command (only IOM-2 Interface)	152
5.3	TIP/RING Interface	152
5.4	SLICOFI-2S/-2S2 and SLIC-S/-S2 Interface	153
5.5	SLICOFI-2 and SLIC-E/-E2 Interface	156
5.6	SLICOFI-2 and SLIC-P Interface	159
6	SLICOFI-2x Command Structure and Programming	163
6.1	Overview of Commands	166
6.2	SLICOFI-2 Command Structure and Programming	167
6.2.1	SOP Command	167
6.2.1.1	SOP Register Overview	167
6.2.1.2	SOP Register Description	172
6.2.2	COP Command	224
6.2.2.1	CRAM Programming Ranges	227
6.2.3	POP Command	228
6.2.3.1	POP Register Overview	228
6.2.4	POP Register Description	232
6.2.5	IOM-2 Interface Command/Indication Byte	262
6.2.6	Programming Examples of the SLICOFI-2	264
6.2.6.1	Microcontroller Interface	264
6.2.6.2	IOM-2 Interface	265
6.3	SLICOFI-2S/-2S2 Command Structure and Programming	267
6.3.1	SOP Command	267
6.3.1.1	SOP Register Overview	267
6.3.1.2	SOP Register Description	272
6.3.2	COP Command	308
6.3.2.1	CRAM Programming Ranges	311
6.3.3	IOM-2 Interface Command/Indication Byte	312
6.3.4	Programming Examples of the SLICOFI-2S/-2S2	314
6.3.4.1	Microcontroller Interface	314

Table of Contents		Page
6.3.4.2	IOM-2 Interface	315
7	Electrical Characteristics	317
7.1	Electrical Characteristics PEB 4264/-2 (SLIC-S/-S2)	317
7.1.1	Absolute Maximum Ratings PEB 4264/-2 (SLIC-S/-S2)	317
7.1.2	Operating Range PEB 4264/-2 (SLIC-S/-S2)	319
7.1.3	Thermal Resistances PEB 4264/-2 (SLIC-S/-S2)	319
7.1.4	Electrical Parameters PEB 4264/-2 (SLIC-S/-S2)	320
7.1.5	Power Calculation PEB 4264/-2 (SLIC-S/-S2)	322
7.1.6	Power Up Sequence PEB 4264/-2 (SLIC-S/-S2)	323
7.2	Electrical Characteristics PEB 4265/-2 (SLIC-E/-E2)	324
7.2.1	Absolute Maximum Ratings PEB 4265/-2 (SLIC-E/-E2)	324
7.2.2	Operating Range PEB 4265/-2 (SLIC-E/-E2)	325
7.2.3	Thermal Resistances PEB 4265/-2 (SLIC-E/-E2)	325
7.2.4	Electrical Parameters PEB 4265/-2 (SLIC-E/-E2)	326
7.2.5	Power Calculation PEB 4265/-2 (SLIC-E/-E2)	328
7.2.6	Power Up Sequence PEB 4265/-2 (SLIC-E/-E2)	329
7.3	Electrical Characteristics PEB 4266 (SLIC-P)	330
7.3.1	Absolute Maximum Ratings PEB 4266 (SLIC-P)	330
7.3.2	Operating Range PEB 4266 (SLIC-P)	332
7.3.3	Thermal Resistances PEB 4266 (SLIC-P)	332
7.3.4	Electrical Parameters PEB 4266 (SLIC-P)	333
7.3.5	Power Calculation PEB 4266 (SLIC-P)	336
7.3.6	Power Up Sequence PEB 4266 (SLIC-P)	337
7.4	Electrical Characteristics PEB 3265/PEB 3264/PEB 3264-2 (SLICOFI-2/-2S/-2S2)	338
7.4.1	Absolute Maximum Ratings	338
7.4.2	Operating Range	339
7.4.3	Power Dissipation PEB 3265 (SLICOFI-2)	340
7.4.4	Power Dissipation PEB 3264, PEB 3264-2 (SLICOFI-2S/-2S2)	341
7.4.5	Power Up Sequence for Supply Voltages	341
7.4.6	Digital Interface	342
7.5	AC Transmission DuSLIC	343
7.5.1	Frequency Response	351
7.5.2	Gain Tracking (Receive or Transmit)	352
7.5.3	Group Delay	353
7.5.4	Out-of-Band Signals at Analog Output (Receive)	354
7.5.5	Out-of-Band Signals at Analog Input (Transmit)	355
7.5.6	Total Distortion Measured with Sine Wave	356
7.6	DC Characteristics	358
7.7	DuSLIC Timing Characteristics	360
7.7.1	MCLK/FSC Timing	360
7.7.2	PCM Interface Timing	361

Table of Contents		Page
7.7.2.1	Single-Clocking Mode	361
7.7.2.2	Double-Clocking Mode	362
7.7.3	Microcontroller Interface Timing	364
7.7.4	IOM-2 Interface Timing	365
7.7.4.1	Single-Clocking Mode	365
7.7.4.2	Double-Clocking Mode	366
8	Application Circuits	367
8.1	Internal Ringing (Balanced/Unbalanced)	367
8.1.1	Circuit Diagram Internal Ringing	368
8.1.2	Protection Circuit for SLIC-E/-E2 and SLIC-S	369
8.1.3	Protection Circuit for SLIC-P	370
8.1.4	Bill of Materials (Including Protection)	371
8.2	External Unbalanced Ringing with DuSLIC-E/-E2/-S/-S2/-P	372
8.3	DuSLIC Layout Recommendation	374
9	Package Outlines	376
10	Glossary	378
10.1	List of Abbreviations	378
11	Index	380

List of Figures		Page
Figure 1	DuSLIC Chip Set	18
Figure 2	Logic Symbol SLIC-S / SLIC-S2 / SLIC-E / SLIC-E2	20
Figure 3	Logic Symbol SLIC-P	20
Figure 4	Logic Symbol SLICOFI-2/-2S/-2S2	21
Figure 5	Pin Configuration SLIC-S/-S2, SLIC-E/-E2, SLIC-P (top view)	23
Figure 6	Pin Configuration SLICOFI-2/-2S/-2S2 (top view)	28
Figure 7	Line Circuit Functions included in the DuSLIC-S/-S2	35
Figure 8	Line Circuit Functions included in the DuSLIC-E/-E2/-P	35
Figure 9	Block Diagram SLIC-S/-S2 (PEB 4264/-2).	36
Figure 10	Block Diagram SLIC-E/-E2 (PEB 4265/-2).	37
Figure 11	Block Diagram SLIC-P (PEB 4266)	38
Figure 12	Block Diagram SLICOFI-2/-2S/-2S2 (PEB 3265, PEB 3264/-2)	39
Figure 13	Signal Paths – DC Feeding	40
Figure 14	DC Feeding Characteristic.	41
Figure 15	Constant Current Zone	42
Figure 16	Resistive Zone	43
Figure 17	Constant Voltage Zone	44
Figure 18	DC Characteristic.	45
Figure 19	Power Dissipation	46
Figure 20	TTX Voltage Reserve Schematic.	47
Figure 21	DC Feeding Characteristics (ACTH, ACTR)	48
Figure 22	Signal Paths - AC Transmission	49
Figure 23	Signal Flow in Voice Channel (A)	50
Figure 24	Nyquist Diagram	51
Figure 25	Typical Ringer Loads of 1 and 5 REN Used in US	52
Figure 26	External Ringing Zero Crossing Synchronization	56
Figure 27	Balanced Ringing via SLIC-E/-E2, SLIC-S and SLIC-P	57
Figure 28	Unbalanced Ringing Signal	58
Figure 29	Teletax Injection and Metering.	61
Figure 30	Soft Reversal (Example for Open Loop)	62
Figure 31	DuSLIC AC Signal Path	63
Figure 32	DuSLIC EDSP Signal Path	63
Figure 33	Bellcore On-hook Caller ID Physical Layer Transmission	68
Figure 34	Line Echo Cancelling Unit - Block Diagram	69
Figure 35	UTD Functional Block Diagram	70
Figure 36	MWI Circuitry with Glow Lamp.	72
Figure 37	Timing Diagram	73
Figure 38	Conference Block for One DuSLIC Channel	74
Figure 39	DuSLIC Reset Sequence.	89
Figure 40	Circuit Diagram for Power Consumption	96
Figure 41	SLIC-E/-E2 Power Dissipation with Switched Battery Voltage.	98
Figure 42	SLIC-P Power Dissipation (Switched Battery Voltage, Long Loops)	99

List of Figures	Page
Figure 43	SLIC-P Power Dissipation (Switched Battery Voltage, Short Loops). 101
Figure 44	Circuit Diagram for Ringing 103
Figure 45	Blockdiagram Levelmeter 109
Figure 46	Single Measurement Sequence (AC&DC Levelmeter) 110
Figure 47	Continuous Measurement Sequence (DC Levelmeter) 111
Figure 48	Continuous Measurement Sequence (AC Levelmeter) 111
Figure 49	Example Resistance Measurement 123
Figure 50	Differential Resistance Measurement 124
Figure 51	Capacitance Measurement 127
Figure 52	Foreign Voltage Measurement Principle 130
Figure 53	AC Test Loops DuSLIC-E/-E2/-P 132
Figure 54	DC Test Loops DuSLIC-E/-E2/-P 133
Figure 55	AC Test Loops DuSLIC-S 134
Figure 56	AC Test Loops DuSLIC-S2 135
Figure 57	DC Test Loops DuSLIC-S/-S2 136
Figure 58	General PCM Interface Timing 139
Figure 59	Setting of Slopes in Register PCMC1 141
Figure 60	Serial Microcontroller Interface Write Access 143
Figure 61	Serial Microcontroller Interface Read Access 144
Figure 62	IOM-2 Int. Timing for up to 16 Voice Channels (Per 8-kHz Frame) .. 145
Figure 63	IOM-2 Interface Timing (DCL = 4096 kHz, Per 8-kHz Frame) 146
Figure 64	IOM-2 Interface Timing (DCL = 2048 kHz, Per 8-kHz Frame) 147
Figure 65	IOM-2 Interface Monitor Transfer Protocol 148
Figure 66	State Diagram of the <i>SLICOFI-2x</i> Monitor Transmitter 150
Figure 67	State Diagram of the <i>SLICOFI-2x</i> Monitor Receiver 151
Figure 68	Interface SLICOFI-2S/-2S2 and SLIC-S/-S2 155
Figure 69	Interface SLICOFI-2 and SLIC-E/-E2 158
Figure 70	Interface SLICOFI-2 and SLIC-P 162
Figure 71	Example for Switching Between Different Ring Offset Voltages 208
Figure 72	Example for UTD Recognition Timing 259
Figure 73	Example for UTD Tone End Detection Timing 261
Figure 74	Waveform of Programming Example SOP-Write to Channel 0 264
Figure 75	Waveform of Programming Example SOP Read from Channel 0 ... 264
Figure 76	Waveform of Programming Example SOP Write to Channel 0 314
Figure 77	Waveform of Programming Example SOP Read from Channel 0 ... 314
Figure 78	Hysteresis for Input Pins 342
Figure 79	Signal Definitions Transmit, Receive 343
Figure 80	Overload Compression 350
Figure 81	Frequency Response Transmit 351
Figure 82	Frequency Response Receive 351
Figure 83	Gain Tracking Receive 352
Figure 84	Gain Tracking Transmit 352

List of Figures		Page
Figure 85	Group Delay Distortion Receive and Transmit.	353
Figure 86	Out-of-Band Signals at Analog Output (Receive)	354
Figure 87	Out-of-Band Signals at Analog Input (Transmit)	355
Figure 88	Total Distortion Transmit (LX = 0 dBr)	356
Figure 89	Total Distortion Receive (LR = - 7 dBr)	356
Figure 90	Total Distortion Receive (LR = 0 dBr)	357
Figure 91	MCLK / FSC-Timing.	360
Figure 92	PCM Interface Timing - Single-Clocking Mode	361
Figure 93	PCM Interface Timing – Double-Clocking Mode	362
Figure 94	Microcontroller Interface Timing.	364
Figure 95	IOM-2 Interface Timing – Single-Clocking Mode	365
Figure 96	IOM-2 Interface Timing – Double-Clocking Mode	366
Figure 97	Application Circuit, Internal Ringing (Balanced & Unbalanced)	368
Figure 98	Typical Overvoltage Protection for SLIC-E/-E2 and SLIC-S	369
Figure 99	Typical Overvoltage Protection for SLIC-P	370
Figure 100	Application Circuit, External Unbalanced Ringing	372
Figure 101	Application Circuit, External Unbalanced Ringing for Long Loops.	373
Figure 102	DuSLIC Layout Recommendation	375
Figure 103	PEB426x (SLIC-S/-S2, SLIC-E/-E2, SLIC-P).	376
Figure 104	PEB 3264, PEB 3264-2, PEB 3265 (SLICOFI-2x).	377

List of Tables		Page
Table 1	DuSLIC Chip Sets	16
Table 2	Pin Definitions and Functions SLIC-S/-S2 and SLIC-E/-E2	24
Table 3	Pin Definitions and Functions SLIC-P	26
Table 4	Pin Definitions and Functions SLICOFI-2/-2S/-2S2	29
Table 5	DC Characteristic	45
Table 6	Ringing Options with SLIC-S, SLIC-E/-E2 and SLIC-P	54
Table 7	Performance Characteristics of the DTMF Decoder Algorithm	65
Table 8	FSK Modulation Characteristics	67
Table 9	MIPS Requirements	71
Table 10	Conference Modes	75
Table 11	Possible Modes in PCM/ μ C Interface Mode	76
Table 12	Overview of DuSLIC Operating Modes	78
Table 13	DuSLIC-S/-S2 Operating Modes	82
Table 14	DuSLIC-E/-E2 Operating Modes	84
Table 15	DuSLIC P Operating Modes	86
Table 16	Default Values	90
Table 17	Typical Buffer Voltage Drops (Sum) for I_{TRANS} (I_T or I_R)	95
Table 18	Line Feed Conditions for Power Calculation of SLIC-E/-E2	97
Table 19	SLIC-E/-E2 Typical Total Power Dissipation	97
Table 20	Line Feed Conditions for Power Calculation for SLIC-P	98
Table 21	SLIC-P PEB 4266 Power Dissipation	99
Table 22	Line Feed Conditions for Power Calculation for SLIC-P	100
Table 23	SLIC-P PEB 4266 Power Dissipation	100
Table 24	SLIC-E/-E2 Balanced Ringing Power Dissipation (typical)	104
Table 25	SLIC-P Balanced Ringing Power Dissipation (typical)	105
Table 26	SLIC-P Unbalanced Ringing Power Dissipation (typical)	106
Table 27	Levelmeter Result Value Range	110
Table 28	Selecting DC Levelmeter Path	112
Table 29	KINTDC Setting Table	113
Table 30	NSamples Setting Table	114
Table 31	Levelmeter Results with and without Integrator Function	115
Table 32	Selecting AC Levelmeter Path	117
Table 33	KINTAC Setting Table	118
Table 34	KTG Setting Table	120
Table 35	Threshold Setting Table	121
Table 36	Measurement Input Selection	130
Table 37	SLICOFI-2x PCM Interface Configuration	140
Table 38	Active PCM Channel Configuration Bits	142
Table 39	IOM-2 Time Slot Assignment	147
Table 40	SLIC-S/-S2 Interface Code	153
Table 41	SLIC-S/-S2 Modes	153
Table 42	SLIC-E/-E2 Interface Code	156

List of Tables		Page
Table 43	SLIC-E/-E2 Modes	156
Table 44	SLIC-P Interface Code	159
Table 45	SLIC-P Modes	159
Table 46	SLIC-P Modes	160
Table 47	M2, M1, M0: General Operating Mode	164
Table 48	Valid DTMF Keys (Bit DTMF-KEY4 = 1)	178
Table 49	DTMF Keys	200
Table 50	Typical Usage for the three Ring Offsets	208
Table 51	CRAM Coefficients.	226
Table 52	CRAM Programming Ranges	227
Table 53	Ranges of GDTMF[dB] dependent on “e”	237
Table 54	Example for DTMF-GAIN Calculation	237
Table 55	Characteristic Values	240
Table 56	Characteristic Values	241
Table 57	Characteristic Values	242
Table 58	Ranges of GLEC-XI[dB] Dependent on “e”	243
Table 59	Example for LEC-GAIN-XI Calculation	243
Table 60	Ranges of GLEC-RI[dB] Dependent on “e”	244
Table 61	Example for LEC-GAIN-RI Calculation	244
Table 62	Ranges of GLEC-X0[dB] Dependent on “e”	245
Table 63	Example for LEC-GAIN-X0 Calculation	245
Table 64	Examples	247
Table 65	UTD Inband/Outband Attenuation	257
Table 66	M2, M1, M0: General Operating Mode	262
Table 67	DTMF KEYS	294
Table 68	CRAM Coefficients.	310
Table 69	CRAM Programming Ranges	311
Table 70	M2, M1, M0: General Operating Mode	312
Table 71	P_I Calculation PEB 4264/-2 (SLIC-S/-S2)	322
Table 72	P_G Calculation PEB 4264/-2 (SLIC-S/-S2).	323
Table 73	P_O Calculation PEB 4264/-2 (SLIC-S/-S2).	323
Table 74	P_I Calculation PEB 4265/-2 (SLIC-E/-E2)	328
Table 75	P_G Calculation PEB 4265/-2 (SLIC-E/-E2).	329
Table 76	P_O Calculation PEB 4265/-2 (SLIC-E/-E2).	329
Table 77	P_I Calculation PEB 4266 (SLIC-P).	336
Table 78	P_G Calculation PEB 4266 (SLIC-P)	337
Table 79	P_O Calculation PEB 4266 (SLIC-P)	337
Table 80	AC Transmission	344
Table 81	Group Delay Absolute Values: Signal level 0 dBm0	353
Table 82	DC Characteristics	358
Table 83	External Components in Application Circuit for DuSLIC-E/-E2/-S/-P.	371

Preliminary

Preface

This document describes the DuSLIC chip set comprising a programmable dual channel *SLICOFI-2x* codec and two single channel high-voltage SLIC chips. For more DuSLIC related documents please see our webpage at <http://www.infineon.com/duslic>.

To simplify matters, the following synonyms are used:

SLICOFI-2x: Synonym used for all codec versions SLICOFI-2/-2S/-2S2

SLIC: Synonym used for all SLIC versions SLIC-S/-S2, SLIC-E/-E2 and SLIC-P

Organization of this Document

This Data Sheet is divided into eleven chapters. It is organized as follows:

- Chapter 1, Overview
A general description of the product, its key features, and some typical applications.
- Chapter 2, Pin Descriptions
- Chapter 3, Functional Description
The main functions are presented following a functional block diagram.
- Chapter 4, Operational Description
A brief description of the three operating modes: power down, active and ringing (plus signal monitoring techniques).
- Chapter 5, Interfaces
Connection information including standard IOM-2 and PCM interface timing frames and pins.
- Chapter 6, *SLICOFI-2x* command structure
A general brief about the *SLICOFI-2x* command structure.
- Chapter 7, Electrical Characteristics
Parameters, symbols and limit values.
- Chapter 8, Application Circuits
External components and layout recommendations. Illustrations of balanced ringing, unbalanced ringing and protection circuits.
- Chapter 9, Package Outlines
Illustrations and dimensions of the package outlines.
- Chapter 10, Glossary
List of abbreviations and description of symbols.
- Chapter 11, Index

1 Overview

DuSLIC is a chip set, comprising one dual channel *SLICOFI-2x* codec and two single channel SLIC chips. It is a highly flexible codec/SLIC solution for an analog line circuit and is widely programmable via software. Users can now serve different markets with a single hardware design that meets all different standards worldwide.

The interconnections between the single channel high-voltage SLIC and the dual channel *SLICOFI-2x* codec (advanced CMOS process) ensure a seamless fit. This guarantees maximum transmission performance with minimum line circuit component count.

DuSLIC family chip sets:

Table 1 DuSLIC Chip Sets

Chip Set	DuSLIC-S	DuSLIC-S2	DuSLIC-E	DuSLIC-E2	DuSLIC-P
Marketing Name	SLICOFI-2S/ SLIC-S	SLICOFI-2S2/ SLIC-S2	SLICOFI-2/ SLIC-E	SLICOFI-2/ SLIC-E2	SLICOFI-2/ SLIC-P
Product ID	PEB 3264/ PEB 4264	PEB 3264-2/ PEB 4264-2 ¹⁾	PEB 3265/ PEB 4265	PEB 3265/ PEB 4265-2 ²⁾	PEB 3265/ PEB 4266
Longitudinal Balance	53 dB	60 dB	53 dB	60 dB	53 dB
Maximum DC feeding	32 mA	50 mA	32 mA	50 mA	32 mA
Neg. Battery Voltages	2	2	2	2	2/3
Add. positive Voltages	1	1	1	1	0
Internal Ringing	45 Vrms	no	85 Vrms	85 Vrms	85 Vrms bal., 50 Vrms unbal.
ITDF ³⁾	no	no	yes	yes	yes
TTX	1.2 Vrms	no	2.5 Vrms	2.5 Vrms	2.5 Vrms
Add-Ons ⁴⁾	no	no	yes	yes	yes

1) Nevertheless marked on the chip as PEB 4264

2) Nevertheless marked on the chip as PEB 4265

3) Integrated Test and Diagnosis Functions

4) The add-on functions are DTMF detection, Caller ID generation, Message Waiting lamp support, Three Party Conferencing, Universal Tone Detection (UTD), Line Echo Cancellation (LEC) and Sleep Mode.

Preliminary

Overview

The DuSLIC family comprises five different chip sets (see [Table 1](#)):

- Three basic DuSLIC chip sets optimized for different applications:
 - DuSLIC-S (Standard),
 - DuSLIC-E (Enhanced),
 - DuSLIC-P (Power Management).
- Two different performance versions of the basic DuSLIC-E and DuSLIC-S chip sets:
 - DuSLIC-E2 (using SLIC-E2 PEB 4265-2 compared to DuSLIC-E)
 - DuSLIC-S2 (using SLIC-S2 PEB 4264-2 and codec PEB 3264-2)

The codec devices SLICOFI-2, SLICOFI-2S and SLICOFI-2S2 are manufactured in an advanced 0.35 μm 3.3 V CMOS process.

The SLIC-E, SLIC-E2 and SLIC-P devices are manufactured in Infineon Technologies robust and well proven 170 V Smart Power technology.

The SLIC-S and SLIC-S2 devices are manufactured in Infineon Technologies 90 V Smart Power technology and offer further cost reduction.

Usage of Codec's and SLIC's:

DuSLIC-E, DuSLIC-E2 and DuSLIC-P comprise the same SLICOFI-2 codec with full EDSP (Enhanced Digital Signal Processor) features like DTMF detection, Caller ID generation, Universal Tone Detection (UTD) and Line Echo Cancellation.

DuSLIC-S comprises the SLICOFI-2S codec without EDSP features.

DuSLIC-S2 comprises the SLICOFI-2S2 codec based on the SLICOFI-2S but without Teletax metering (TTX) and internal ringing capability.

The respective SLIC variant for each chip set featured in [Table 1](#) has been selected according to performance and application requirements:

SLIC-S/-S2 (PEB 4264 / PEB 4264-2) and SLIC-E/-E2 (PEB 4265 / PEB 4265-2) are optimized for access network requirements, while the power management SLIC-P (PEB 4266) is an enhanced version for extremely power-sensitive applications or for applications where internal unbalanced ringing is required.

DuSLIC Architecture

Unlike traditional designs, DuSLIC splits the SLIC function into high-voltage SLIC functions and low-voltage SLIC functions.

The low-voltage functions are handled in the *SLICOFI-2x* device. The partitioning of the functions is shown in [Figure 1](#).

For further information see [Chapter 3.1](#).

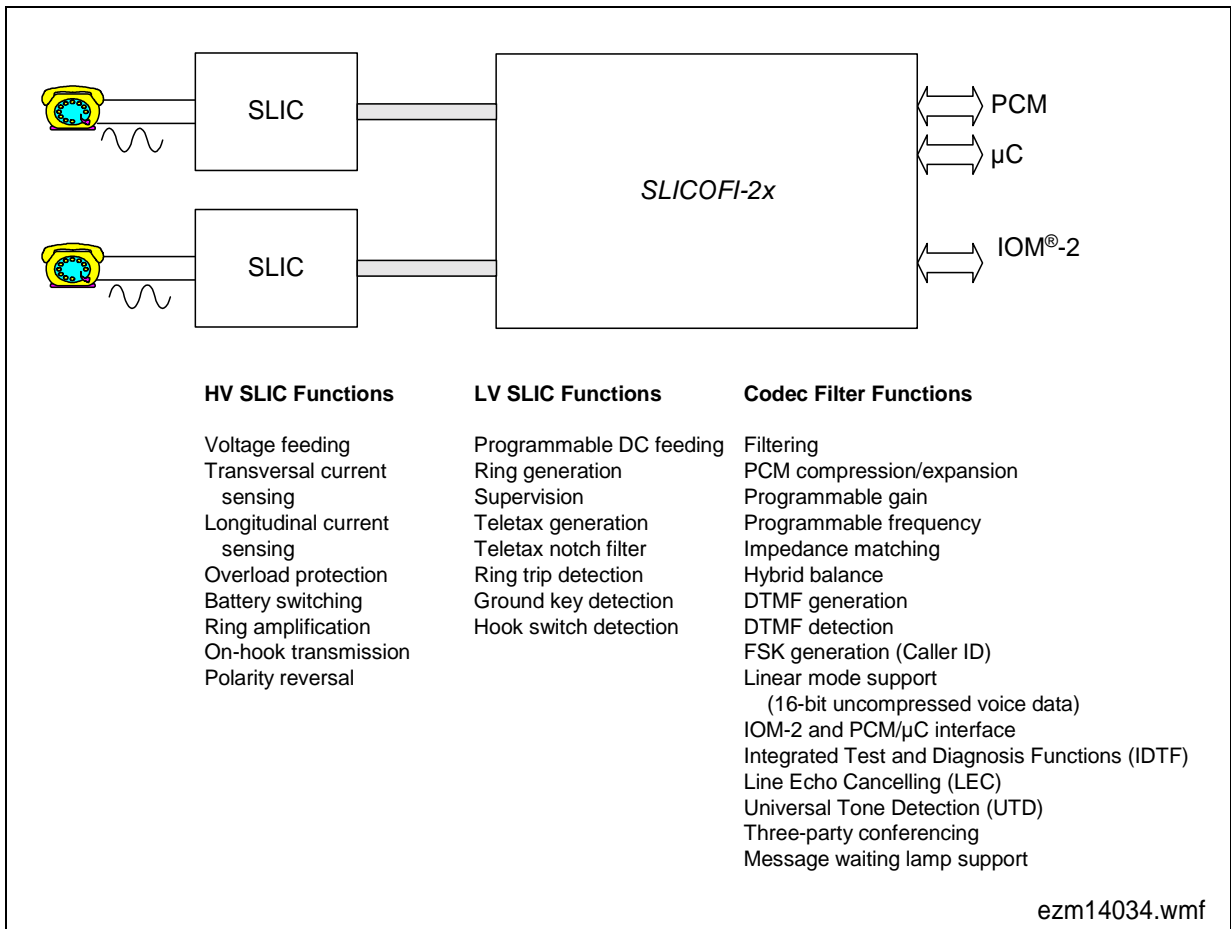


Figure 1 DuSLIC Chip Set

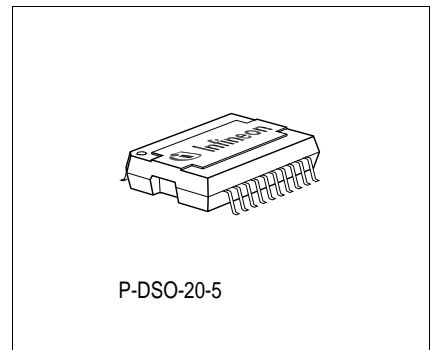
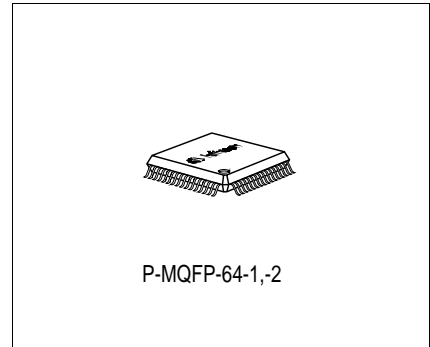
Dual Channel Subscriber Line Interface Circuit DuSLIC

PEB 3264/-2
PEB 3265
PEB 4264/-2
PEB 4265/-2
PEB 4266

Version 1.2

1.1 Features

- Internal unbalanced/balanced ringing capability up to 85 Vrms
- Programmable Teletax (TTX) generation
- Programmable battery feeding with capability for driving longer loops
- Fully programmable dual-channel codec
- Ground/loop start signaling
- Polarity reversal
- Integrated Test and Diagnosis Functions (IDTF)
- On-hook transmission
- Integrated DTMF generator
- Integrated DTMF decoder
- Integrated Caller ID (FSK) generator
- Integrated fax/modem detection (Universal Tone Detection (UTD))
- Integrated Line Echo Cancellation unit (LEC)
- Optimized filter structure for modem transmission
- Three-party conferencing (in PCM/ μ C mode)
- Message waiting lamp support (PBX)
- Power optimized architecture
- Power management capability (integrated battery switches)
- 8 and 16 kHz PCM Transmission
- Specification in accordance with ITU-T Recommendation Q.552 for interface Z and applicable LSSGR



Type	Package
PEB 3264/-2	P-MQFP-64-1
PEB 4264/-2	P-DSO-20-5
PEB 3265	P-MQFP-64-1
PEB 4265/-2	P-DSO-20-5
PEB 4266	P-DSO-20-5

1.2 Logic Symbols

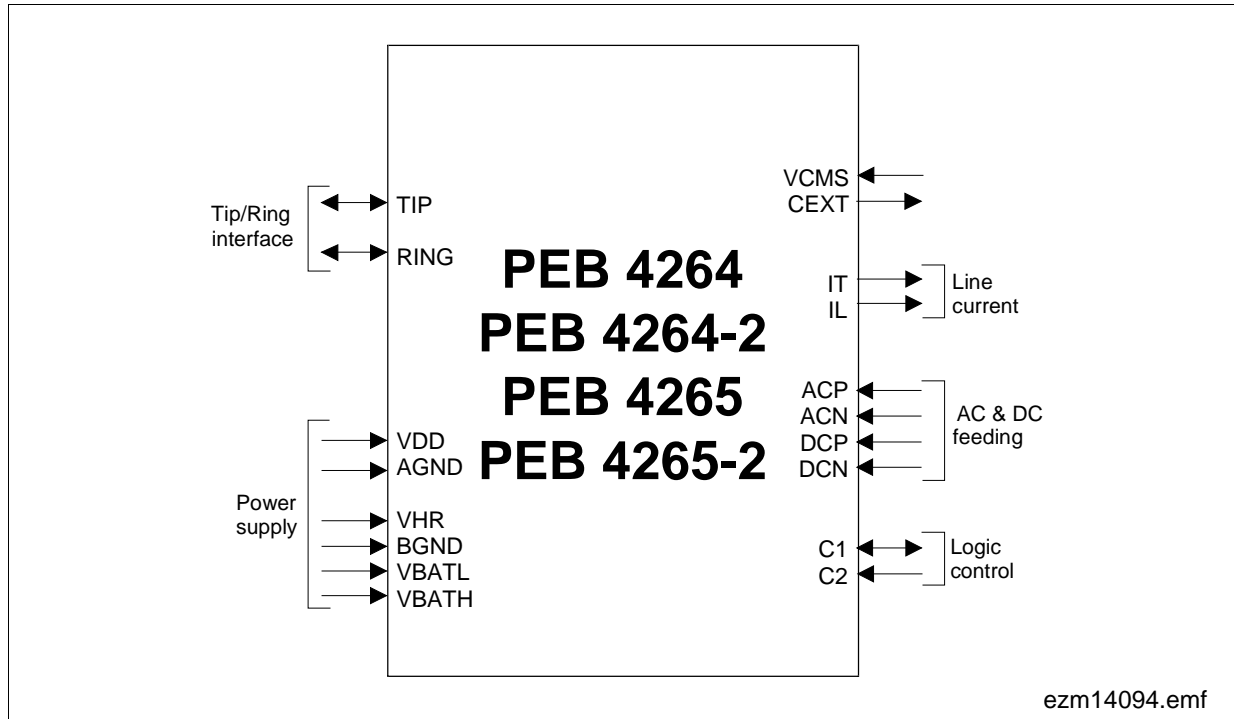


Figure 2 Logic Symbol SLIC-S / SLIC-S2 / SLIC-E / SLIC-E2

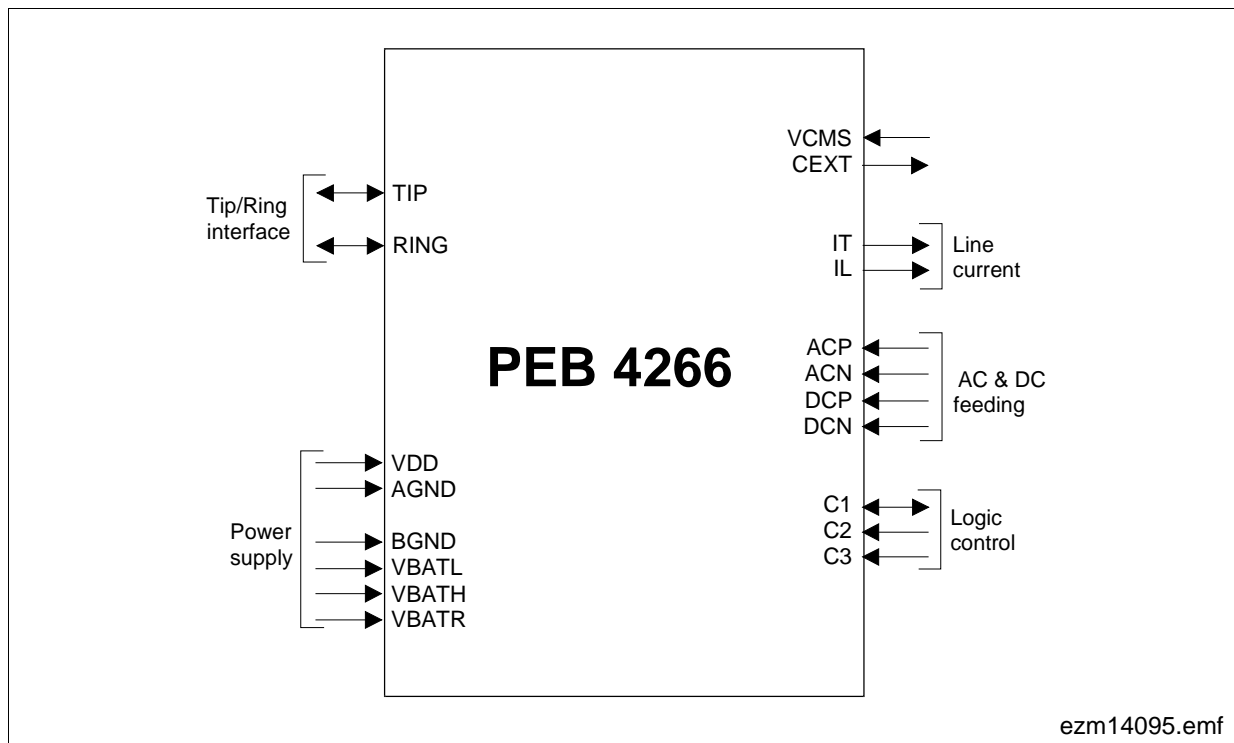


Figure 3 Logic Symbol SLIC-P

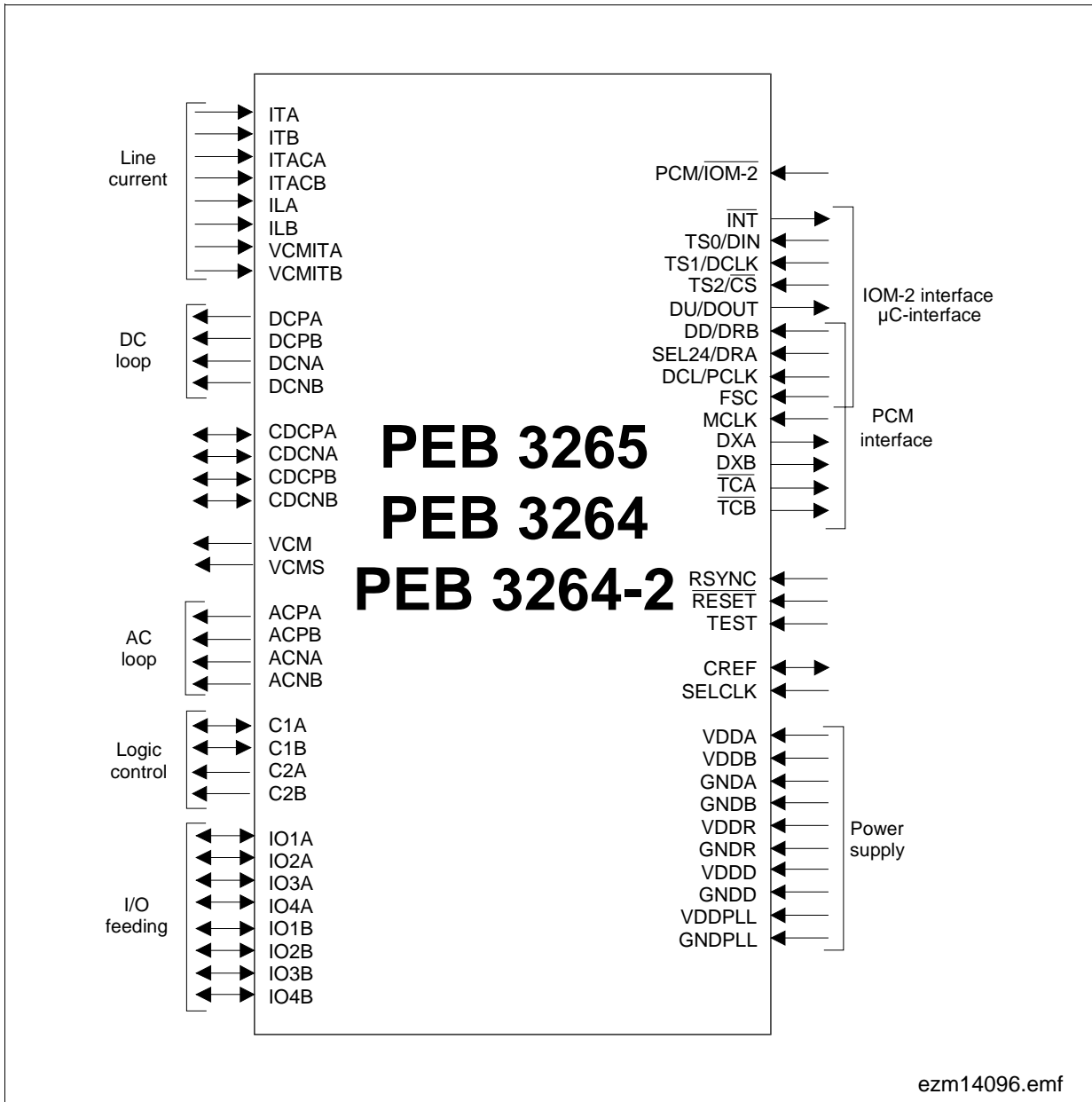


Figure 4 Logic Symbol SLICOFI-2/-2S/-2S2

1.3 Typical Applications

- Digital Loop Carrier (DLC)
- Wireless Local Loop
- Fiber in the Loop
- Private Branch Exchange
- Intelligent NT (Network Termination) for ISDN
- ISDN Terminal Adapter
- Central Office
- Cable Modem
- XDSL NT
- Router

2 Pin Descriptions

2.1 Pin Diagram SLIC

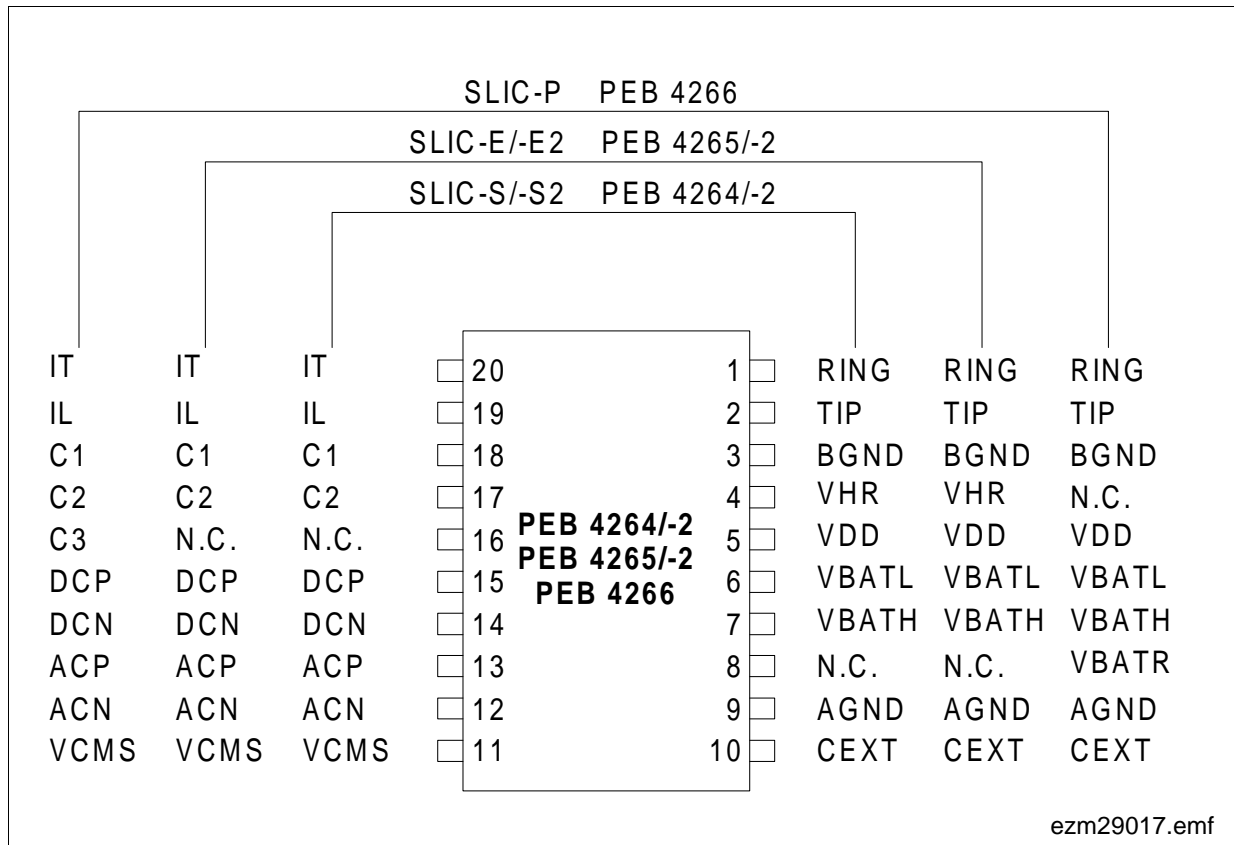


Figure 5 Pin Configuration SLIC-S/-S2, SLIC-E/-E2, SLIC-P (top view)

Note: The SLIC is only available in a P-DSO-20-5 package with heatsink on top. Please note that the pin counting for the P-DSO-20-5 package is clockwise (top view) in contrast to similar type packages which mostly count counterclockwise.

Table 2 Pin Definitions and Functions SLIC-S/-S2 and SLIC-E/-E2

Pin No.	Symbol	Input (I) Output (O)	Function
1	RING	I/O	Subscriber loop connection RING
2	TIP	I/O	Subscriber loop connection TIP
3	BGND	Power	Battery ground: TIP, RING, V_{BATH} , V_{BATL} and V_{HR} refer to this pin
4	VHR	Power	Auxiliary positive battery supply voltage used in ringing mode
5	VDD	Power	Positive supply voltage (+ 5 V), referred to AGND
6	VBATL	Power	Negative battery supply voltage ($-15\text{ V} \geq V_{BATL} \geq V_{BATH}$)
7	VBATH	Power	Negative battery supply voltage: SLIC-S / SLIC-S2: $-20\text{ V} \geq V_{BATH} \geq -65\text{ V}$ SLIC-E / SLIC-E2: $-20\text{ V} \geq V_{BATH} \geq -85\text{ V}$
8	N.C.	–	Not connected
9	AGND	Power	Analog ground: V_{DD} , and all signal and control pins with the exception of TIP and RING refer to AGND
10	CEXT	O	Output of voltage divider defining DC line potentials; an external capacitance allows supply voltage filtering (output resistance about 30 k Ω)
11	VCMS	I	Reference voltage for differential two-wire interface, typical 1.5 V
12, 13	ACN, ACP	I	Differential two-wire AC input voltage; multiplied by – 6 and related to $(V_{HI} + V_{BI})/2$, ACN appears at TIP and ACP at RING output, respectively (V_{HI} & V_{BI} are internal voltages)
14, 15	DCN DCP	I	Differential two-wire DC input voltage; multiplied by a factor (– 30 in ACTH and ACTL mode, – 60 in ACTR mode) and related to $(V_{HI} + V_{BI})/2$, DCN appears at TIP and DCP at RING output, respectively
16	N.C.	–	Not connected
17	C2	I	Ternary logic input, controlling the operation mode
18	C1	I/O	Ternary logic input, controlling the operation mode; in case of thermal overload (chip temperature exceeding 165 °C) this pin sinks a current of typically 150 μA

Table 2 Pin Definitions and Functions SLIC-S/-S2 and SLIC-E/-E2 (cont'd)

Pin No.	Symbol	Input (I) Output (O)	Function
19	IL	O	Current output: longitudinal line current scaled down by a factor of 100
20	IT	O	Current output representing the transversal current scaled down by a factor of 50

Note: The SLIC is only available in a P-DSO-20-5 package with heatsink on top. Please note that the pin counting for the P-DSO-20-5 package is clockwise (top view) in contrast to similar type packages which mostly count counterclockwise.

Table 3 Pin Definitions and Functions SLIC-P

Pin No.	Symbol	Input (I) Output (O)	Function
1	RING	I/O	Subscriber loop connection RING
2	TIP	I/O	Subscriber loop connection TIP
3	BGND	Power	Battery ground: TIP, RING, V_{BATH} , V_{BATL} and V_{BATR} refer to this pin
4	N.C.	–	Not connected
5	VDD	Power	Positive supply voltage ($3.1\text{ V} \leq V_{DD} \leq 5.5\text{ V}$), referred to AGND
6	VBATL	Power	Negative battery supply voltage ($-15\text{ V} \geq V_{BATL} \geq -140\text{ V}$)
7	VBATH	Power	Negative battery supply voltage ($-20\text{ V} \geq V_{BATH} \geq -145\text{ V}$, $V_{BATL} \geq V_{BATH}$)
8	VBATR	Power	Negative battery supply voltage used as on-hook voltage in power sensitive applications with external ringing or for the extended battery feeding option. ($-25\text{ V} \geq V_{BATR} \geq -150\text{ V}$, $V_{BATL} \geq V_{BATH} \geq V_{BATR}$)
9	AGND	Power	Analog ground: V_{DD} , and all signal and control pins with the exception of TIP and RING refer to AGND
10	CEXT	O	Output of voltage divider defining DC line potentials; an external capacitance allows supply voltage filtering (output resistance about 30 k Ω)
11	VCMS	I	Reference voltage for differential two-wire interface, typical 1.5 V
12, 13	ACN, ACP	I	Differential two-wire AC input voltage; multiplied by -6 and related to $V_{BI}/2$, ACN appears at TIP and ACP at RING output, respectively (V_{BI} is an internal voltage)
14, 15	DCN, DCP	I	Differential two-wire DC input voltage; multiplied by a factor (-30 in ACTH & ACTL mode, -60 in ACTR mode) and related to $V_{BI}/2$, DCN appears at TIP and DCP at RING output, respectively
16	C3	I	Binary logic input, controlling the operation mode
17	C2	I	Ternary logic input, controlling the operation mode
18	C1	I/O	Ternary logic input, controlling the operation mode; in case of thermal overload (chip temperature exceeding 165 °C) this pin sinks a current of typically 150 μA

Table 3 Pin Definitions and Functions SLIC-P (cont'd)

Pin No.	Symbol	Input (I) Output (O)	Function
19	IL	O	Current output: longitudinal line current scaled down by a factor of 100
20	IT	O	Current output representing the transversal current scaled down by a factor of 50

Note: The SLIC is only available in a P-DSO-20-5 package with heatsink on top. Please note that the pin counting for the P-DSO-20-5 package is clockwise (top view) in contrast to similar type packages which mostly count counterclockwise.

2.2 Pin Diagram SLICOFI-2/-2S/-2S2

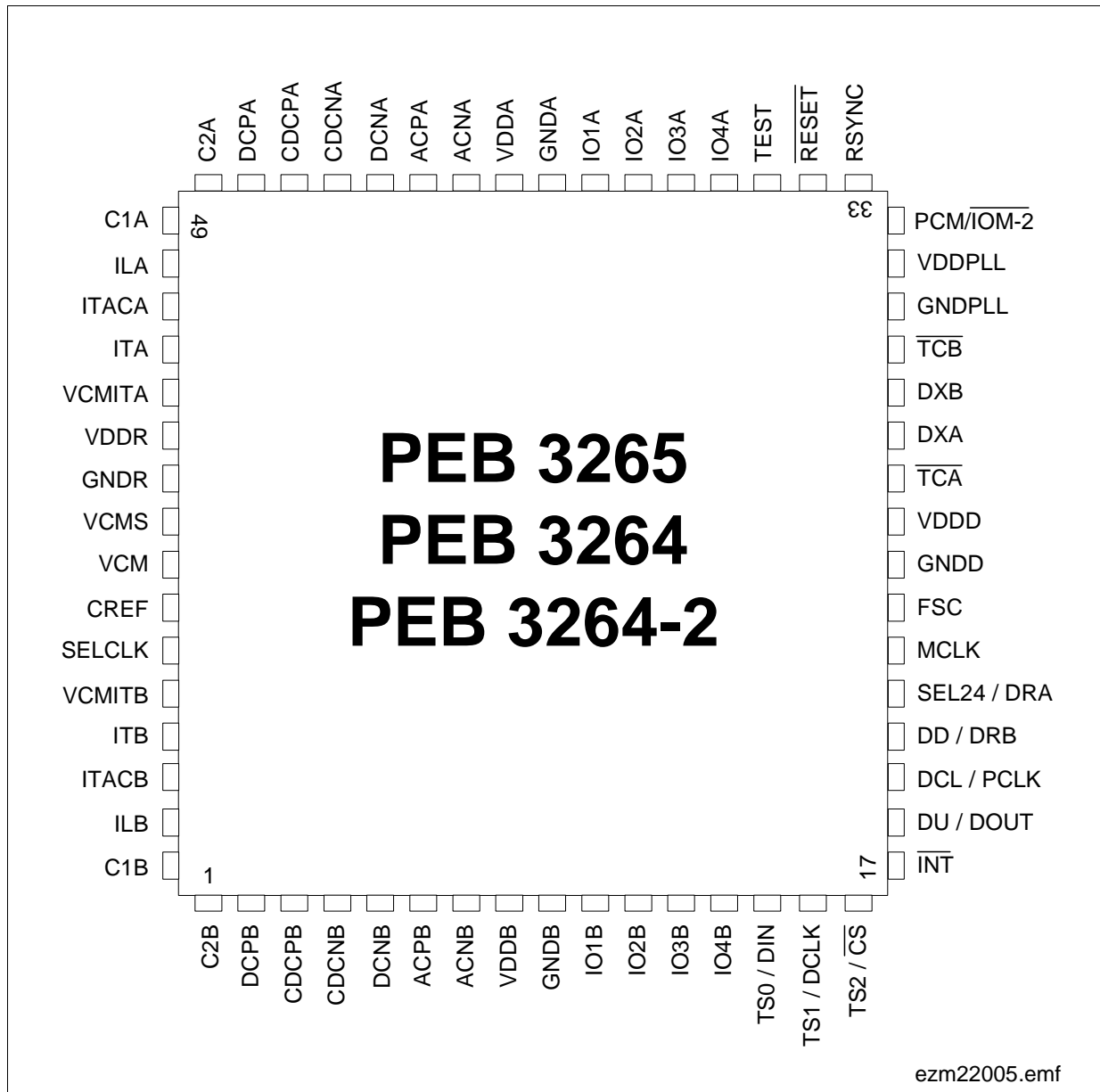


Figure 6 Pin Configuration SLICOFI-2/-2S/-2S2 (top view)

Table 4 Pin Definitions and Functions SLICOFI-2/-2S/-2S2

Pin No.	Symbol	Input (I) Output (O)	Function
1	C2B	O	Ternary logic output for controlling the SLIC operation mode (channel B)
2	DCPB	O	Two-wire output voltage (DCP) (channel B)
3	CDCPB	I/O	External capacitance for filtering (channel B)
4	CDCNB	I/O	External capacitance for filtering (channel B)
5	DCNB	O	Two-wire output voltage (DCN) (channel B)
6	ACPB	O	Differential two-wire AC output voltage controlling the RING pin (channel B)
7	ACNB	O	Differential two-wire AC output voltage controlling the TIP pin (channel B)
8	VDDB	Power	+ 3.3 V analog supply voltage (channel B)
9	GNDB	Power	Analog ground (channel B)
10	IO1B	I/O	User-programmable I/O pin (channel B) with relay-driving capability. In external ringing mode IO1 is used to automatically control and drive the ring relay.
11	IO2B	I/O	User-programmable I/O pin (channel B) with relay-driving capability. SLICOFI-2 and SLIC-P: connected to pin C3 of SLIC-P, when two supply voltages for voice transmission and internal ringing are used. ¹⁾
12	IO3B	I/O	User-programmable I/O pin (channel B) with analog input functionality
13	IO4B	I/O	User-programmable I/O pin (channel B) with analog input functionality
14	TS0 DIN	I I	PCM/ $\overline{\text{IOM-2}}$ = 0 (IOM-2 interface): Time slot selection pin 0 PCM/ $\overline{\text{IOM-2}}$ = 1 (μC interface): Data in
15	TS1 DCLK	I I	PCM/ $\overline{\text{IOM-2}}$ = 0 (IOM-2 interface): Time slot selection pin 1 PCM/ $\overline{\text{IOM-2}}$ = 1 (μC interface): Data clock
16	TS2 $\overline{\text{CS}}$	I I	PCM/ $\overline{\text{IOM-2}}$ = 0 (IOM-2 interface): Time slot selection Pin 2 PCM/ $\overline{\text{IOM-2}}$ = 1 (μC interface): Chip select, low active
17	$\overline{\text{INT}}$	O	PCM/ $\overline{\text{IOM-2}}$ = 0 (IOM-2 interface): not connected PCM/ $\overline{\text{IOM-2}}$ = 1 (μC interface): Interrupt pin, low active

Table 4 Pin Definitions and Functions SLICOFI-2/-2S/-2S2 (cont'd)

Pin No.	Symbol	Input (I) Output (O)	Function
18	DU	O	PCM/ $\overline{\text{IOM-2}}$ = 0 (IOM-2 interface): Data upstream, open drain
	DOUT	O	PCM/ $\overline{\text{IOM-2}}$ = 1 (μC interface): Data out, push/pull
19	DCL	I	PCM/ $\overline{\text{IOM-2}}$ = 0 (IOM-2 interface): Data clock
	PCLK	I	PCM/ $\overline{\text{IOM-2}}$ = 1 (PCM interface): 128 kHz to 8192 kHz PCM clock
20	DD	I	PCM/ $\overline{\text{IOM-2}}$ = 0 (IOM-2 interface): Data downstream
	DRB	I	PCM/ $\overline{\text{IOM-2}}$ = 1 (PCM interface): Receive data input for PCM highway B
21	SEL24	I	PCM/ $\overline{\text{IOM-2}}$ = 0 (IOM-2 interface): SEL24 = 0: DCL = 2048 kHz selected SEL24 = 1: DCL = 4096 kHz selected
	DRA	I	PCM/ $\overline{\text{IOM-2}}$ = 1 (PCM-interface): Receive Data input for PCM-highway A
22	MCLK	I	PCM/ $\overline{\text{IOM-2}}$ = 0 (IOM-2 interface): not connected
			PCM/ $\overline{\text{IOM-2}}$ = 1 (PCM interface): master clock when PCM/ μC interface is used, clock rates are 512 kHz, 1536 kHz, 2048 kHz, 4096 kHz, 7168 kHz, 8192 kHz
23	FSC	I	Frame synchronization clock for PCM/ μC or IOM-2 interface, 8 kHz, identifies the beginning of the frame, individual time slots are referenced to this input signal.
24	GNDD	Power	Digital ground
25	VDDD	Power	+ 3.3 V digital supply voltage
26	$\overline{\text{TCA}}$	O	Transmit control output for PCM highway A, active low during transmission, open drain
27	DXA	O	Transmit data output for PCM highway A (goes tristate when inactive)
28	DXB	O	Transmit data output for PCM highway B (goes tristate when inactive)
29	$\overline{\text{TCB}}$	O	Transmit control output for PCM highway B, active low during transmission, open drain
30	GNDPLL	Power	Digital ground PLL
31	VDDPLL	Power	+ 3.3 V supply voltage PLL

Table 4 Pin Definitions and Functions SLICOFI-2/-2S/-2S2 (cont'd)

Pin No.	Symbol	Input (I) Output (O)	Function
32	PCM/ $\overline{\text{IOM-2}}$	I	PCM/ $\overline{\text{IOM-2}}$ = 1: PCM/ μC interface selected PCM/ $\overline{\text{IOM-2}}$ = 0: IOM-2 interface selected
33	RSYNC	I	External ringing synchronization pin
34	$\overline{\text{RESET}}$	I	Reset pin, low active
35	TEST	I	Testpin for production test, has to be connected to GNDD
36	IO4A	I/O	User-programmable I/O Pin (channel A) with analog input functionality
37	IO3A	I/O	User-programmable I/O Pin (channel A) with analog input functionality
38	IO2A	I/O	User-programmable I/O Pin (channel A) with relay-driving capability. SLICOFI-2 and SLIC-P: connected to pin C3 of SLIC-P, when two supply voltages for voice transmission and internal ringing are used. ¹⁾
39	IO1A	I/O	User-programmable I/O Pin (channel A) with relay-driving capability. In external ringing mode IO1 is used to automatically control and drive the ring relay.
40	GNDA	Power	Analog ground (channel A)
41	VDDA	Power	+ 3.3 V analog supply voltage (channel A)
42	ACNA	O	Differential two-wire AC output voltage controlling the TIP pin (channel A)
43	ACPA	O	Differential two-wire AC output voltage controlling the RING pin (channel A)
44	DCNA	O	Two-wire output voltage (DCN) (channel A)
45	CDCNA	I/O	External capacitance for filtering (channel A)
46	CDCPA	I/O	External capacitance for filtering (channel A)
47	DCPA	O	Two-wire output voltage (DCP) (channel A)
48	C2A	O	Ternary logic output for controlling the SLIC operation mode (channel A)
49	C1A	I/O	Ternary logic output, controlling the SLIC operation mode (channel A); indicating thermal overload of SLIC if a current of typically 150 μA is drawn out
50	ILA	I	Longitudinal current input (channel A)
51	ITACA	I	Transversal current input (AC) (channel A)

Preliminary
Pin Descriptions
Table 4 Pin Definitions and Functions SLICOFI-2/-2S/-2S2 (cont'd)

Pin No.	Symbol	Input (I) Output (O)	Function
52	ITA	I	Transversal current input (AC + DC) (channel A)
53	VCMITA	I	Reference pin for trans./long. current sensing (channel A)
54	VDDR	Power	+ 3.3 V analog supply voltage (bias)
55	GNDR	Power	Analog ground (bias)
56	VCMS	O	Reference voltage for differential two-wire interface, typical 1.5 V
57	VCM	O	Reference voltage for input pins IT, IL, ITAC
58	CREF	I/O	An external capacitor of 68 nF has to be connected to GNDR
59	SELCLK	I	Master clock select. Should be set to GND (internal master clock generation). For test purposes, external master clock generation can be selected (SELCLK = 1). In this case a clock of nominal 32.768 Mhz with a jitter time of less than 1 ns has to be applied to the MCLK pin.
60	VCMITB	I	Reference pin for transversal/longitudinal current sensing (channel B)
61	ITB	I	Transversal current input (AC + DC) (channel B)
62	ITACB	I	Transversal current input (AC) (channel B)
63	ILB	I	Longitudinal current input (channel B)
64	C1B	I/O	Ternary logic output, controlling the SLIC operation mode (channel B); indicating thermal overload of SLIC if a current of typically 150 μ A is drawn out

¹⁾ If SLIC-P is selected, IO2 cannot be controlled by the user, but is utilized by the SLICOFI-2 to control the C3 pin of SLIC-P.

3 Functional Description

3.1 Functional Overview

3.1.1 Basic Functions available for all DuSLIC Chip Sets

The functions described in this chapter are integrated in all DuSLIC chip sets (see [Figure 7](#) for DuSLIC-S/-S2 and [Figure 8](#) for DuSLIC-E/-E2/-P).

All BORSCHT functions are integrated:

- Battery feed
- Overvoltage protection (realized by the robust high-voltage SLIC technology and additional circuitry)
- Ringing¹⁾
- Signaling (supervision)
- Coding
- Hybrid for 2/4-wire conversion
- Testing

An important feature of the DuSLIC design is the fact that all the SLIC and codec functions are programmable via the IOM-2 or PCM/ μ C-interface of the dual channel *SLICOFI-2x* device:

- DC (battery) feed characteristics
- AC impedance matching
- Transmit gain
- Receive gain
- Hybrid balance
- Frequency response in transmit and receive direction
- Ring frequency and amplitude¹⁾
- Hook thresholds
- TTX modes²⁾

Because signal processing within the *SLICOFI-2x* is completely digital, it is possible to adapt to the requirements listed above by simply updating the coefficients that control DSP processing of all data. This means, for example, that changing impedance matching or hybrid balance requires no hardware modifications. A single hardware is now capable of meeting the requirements for different markets. The digital nature of the filters and gain stages also assures high reliability, no drifts (over temperature or time) and minimal variations between different lines.

¹⁾ For DuSLIC-S2 chip set external ringing is supported

²⁾ Not available with DuSLIC-S2 chip set

Preliminary**Functional Description**

The characteristics for the two voice channels within *SLICOFI-2x* can be programmed independently of each other. The DuSLICOS software is provided to automate calculation of coefficients to match different requirements. DuSLICOS also verifies the calculated coefficients.

3.1.2 Additional Functions available for DuSLIC-E/-E2/-P Chip Sets

The following line circuit functions are integrated only in the DuSLIC-E/-E2/-P chip sets (see [Figure 8](#)):

- Teletax metering

For pulse metering, a 12/16 kHz sinusoidal metering burst has to be transmitted. The DuSLIC chip set generates the metering signal internally and has an integrated notch filter.

- DTMF

DuSLIC has an integrated DTMF generator comprising two tone generators and a DTMF decoder. The decoder is able to monitor the transmit or receive path for valid tone pairs and outputs the corresponding digital code for each DTMF tone pair.

- Caller ID Frequency Shift Keying (FSK) Modulator

DuSLIC has an integrated FSK modulator capable of sending Caller ID information. The Caller ID modulator complies with all requirements of ITU-T recommendation V.23 and Bell 202.

- LEC (Line Echo Cancellation)

DuSLIC contains an adaptive line echo cancellation unit for the cancellation of near end echos (up to 8 ms cancelable echo delay time).

- UTD (Universal Tone Detection)

DuSLIC has an integrated Universal Tone Detection unit to detect special tones in the receive or transmit path (e.g. fax or modem tones).

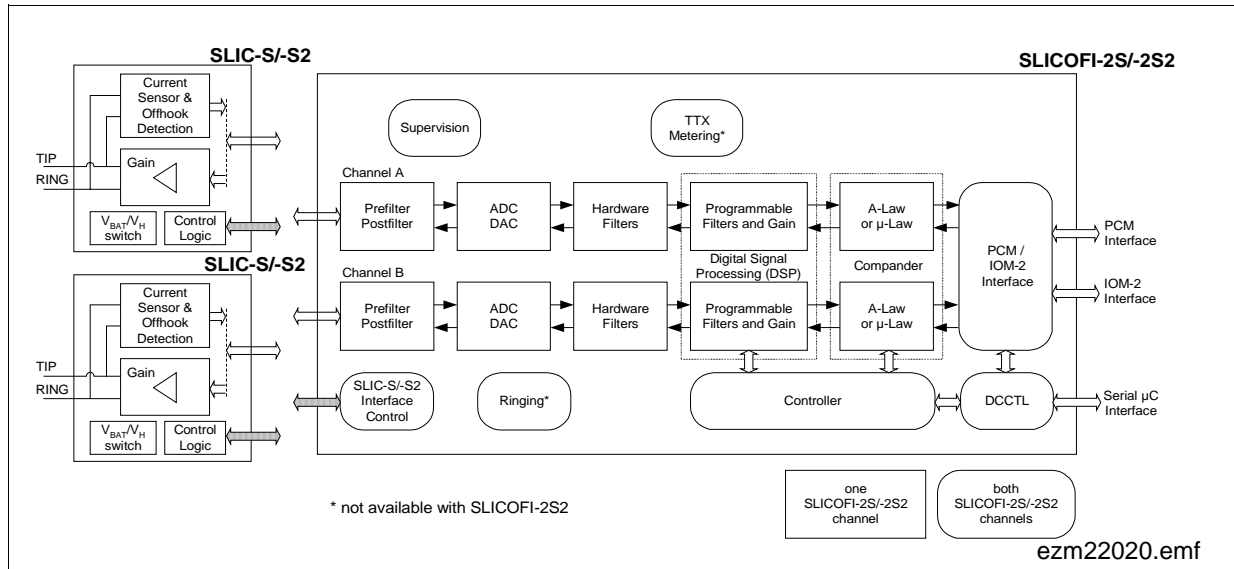


Figure 7 Line Circuit Functions included in the DuSLIC-S/-S2

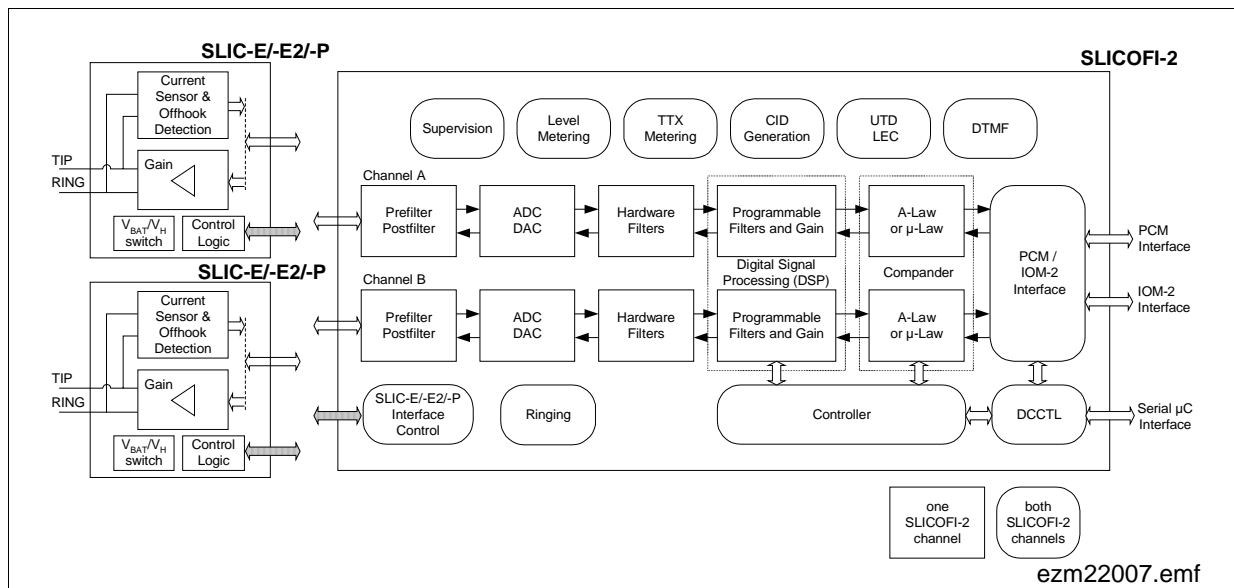


Figure 8 Line Circuit Functions included in the DuSLIC-E/-E2/-P

3.2 Block Diagrams

Figure 9, Figure 10 and Figure 11 show the basic functional blocks and circuits for all SLIC versions of the DuSLIC chip set.

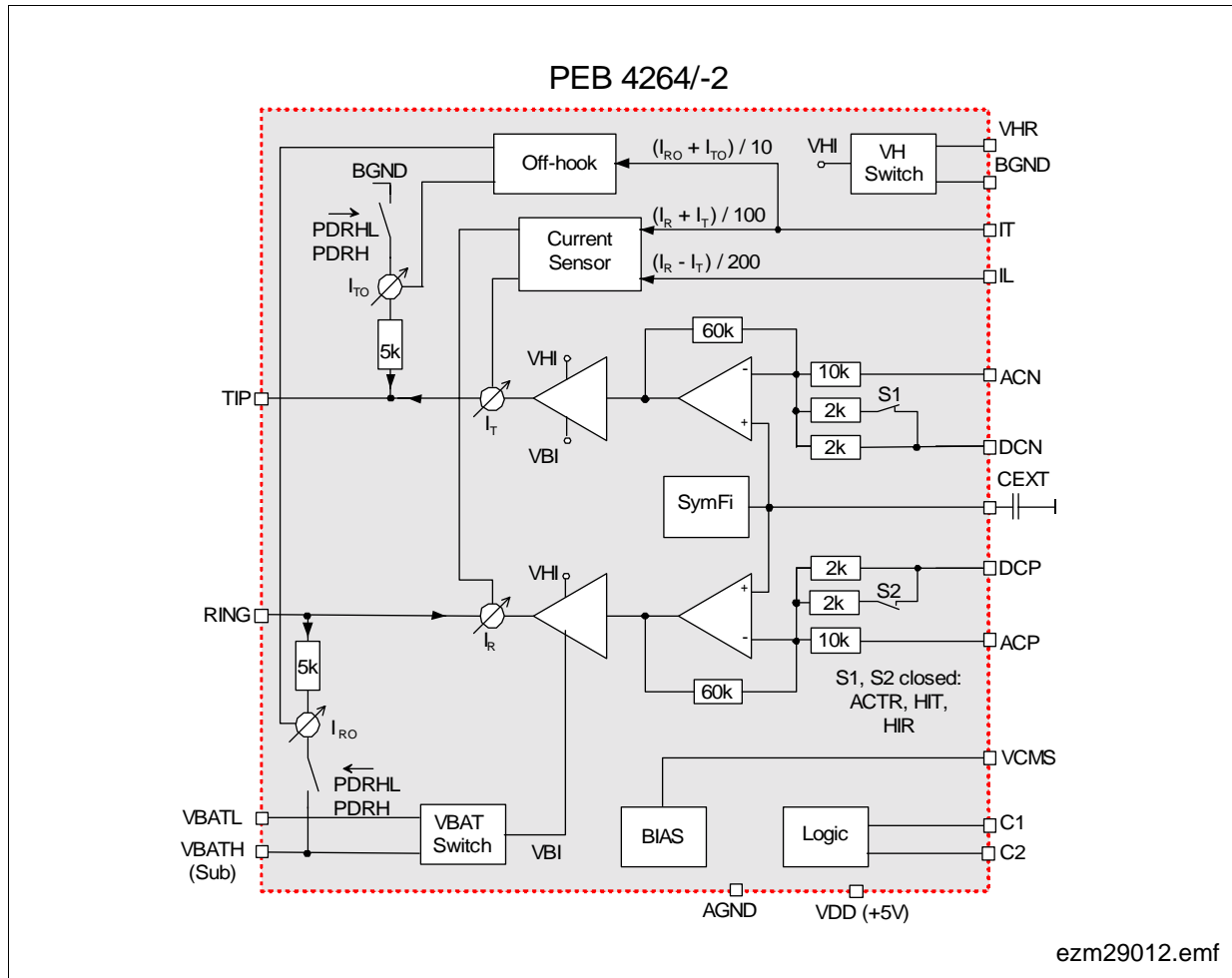


Figure 9 Block Diagram SLIC-S/S2 (PEB 4264/-2)

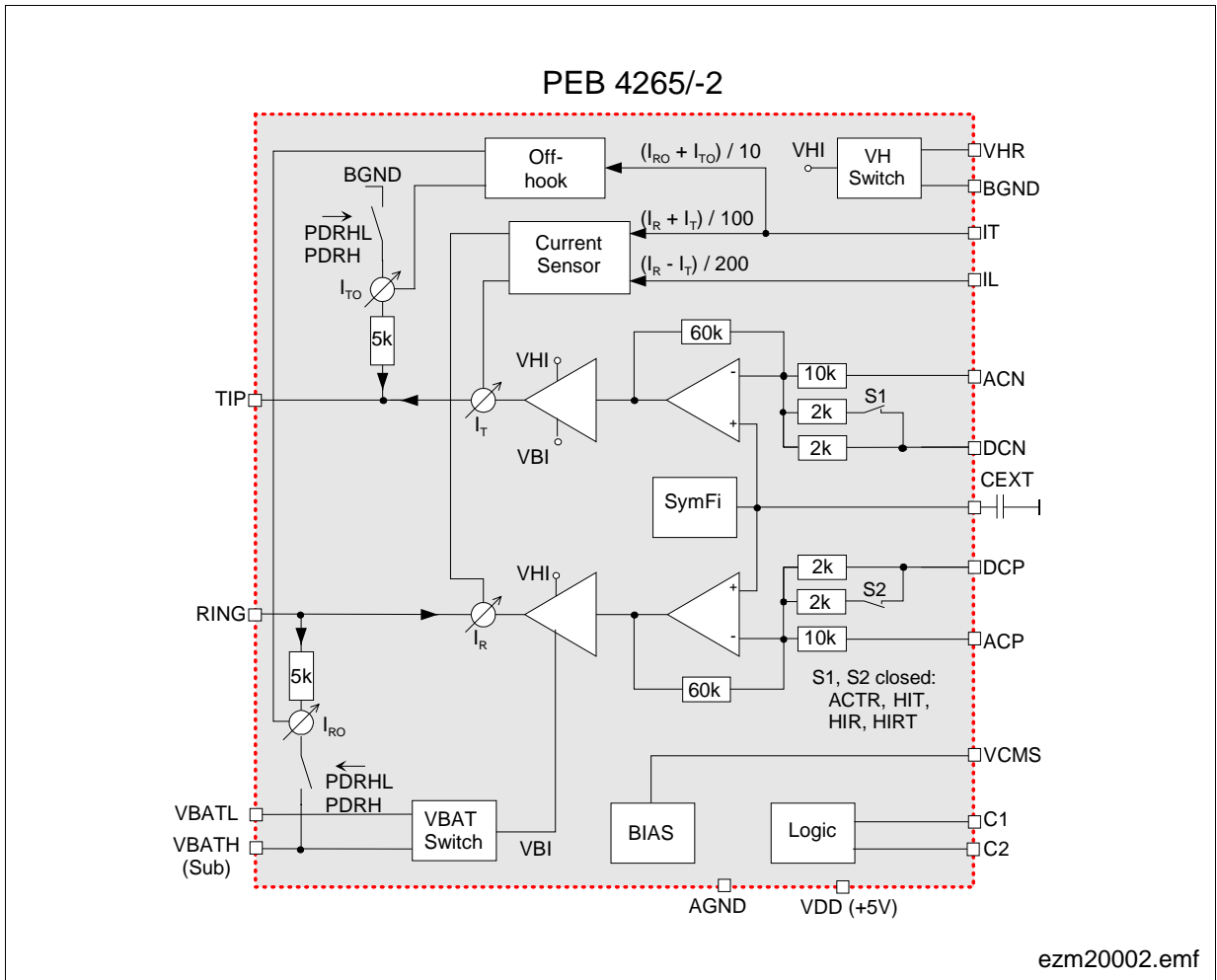


Figure 10 Block Diagram SLIC-E/E2 (PEB 4265/-2)

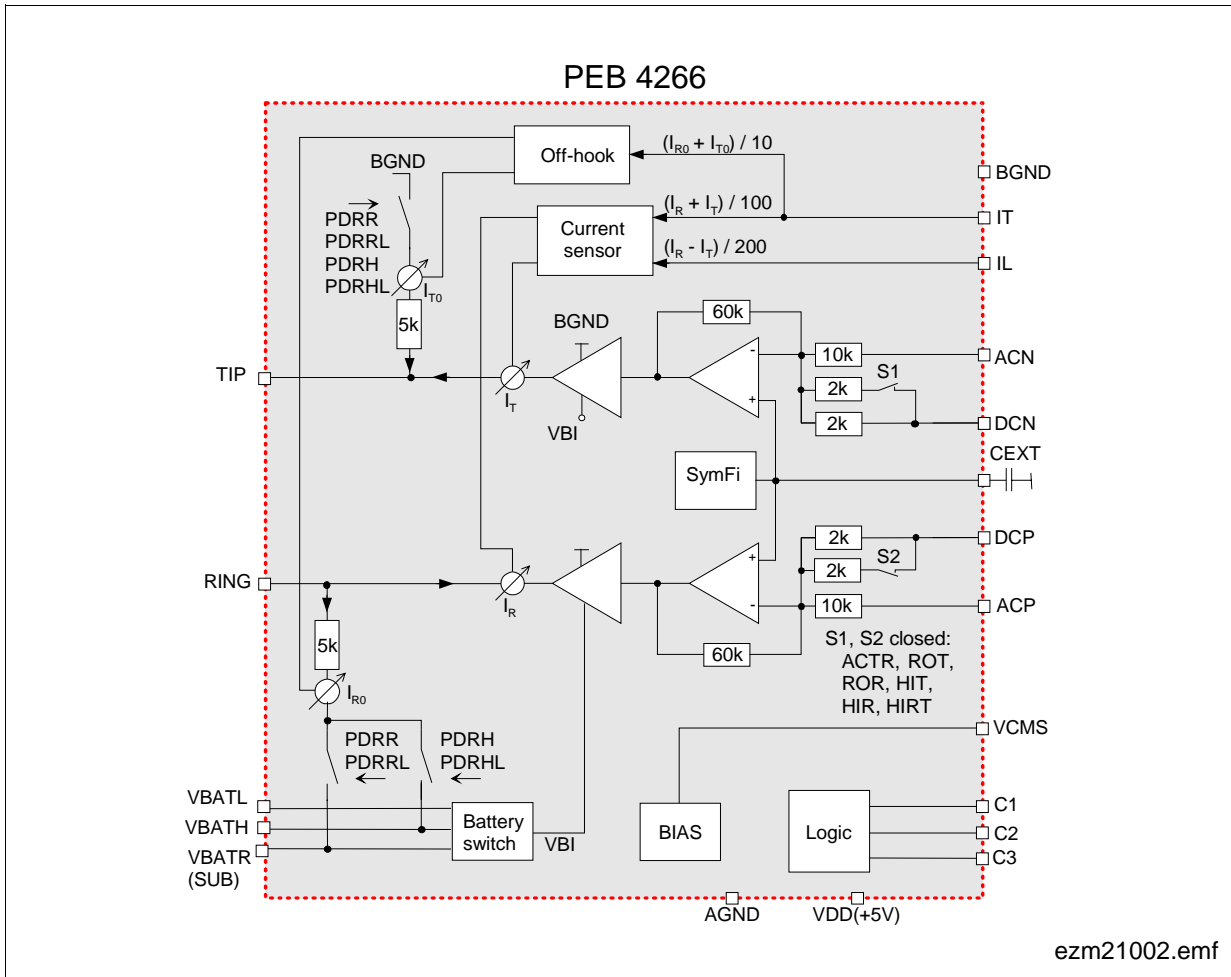


Figure 11 Block Diagram SLIC-P (PEB 4266)

Figure 12 shows the internal block structure of all SLICOFI-2x codec versions available. The Enhanced Digital Signal Processor (EDSP) realizing the add-on functions¹⁾ is only integrated in the SLICOFI-2 (PEB 3265) device.

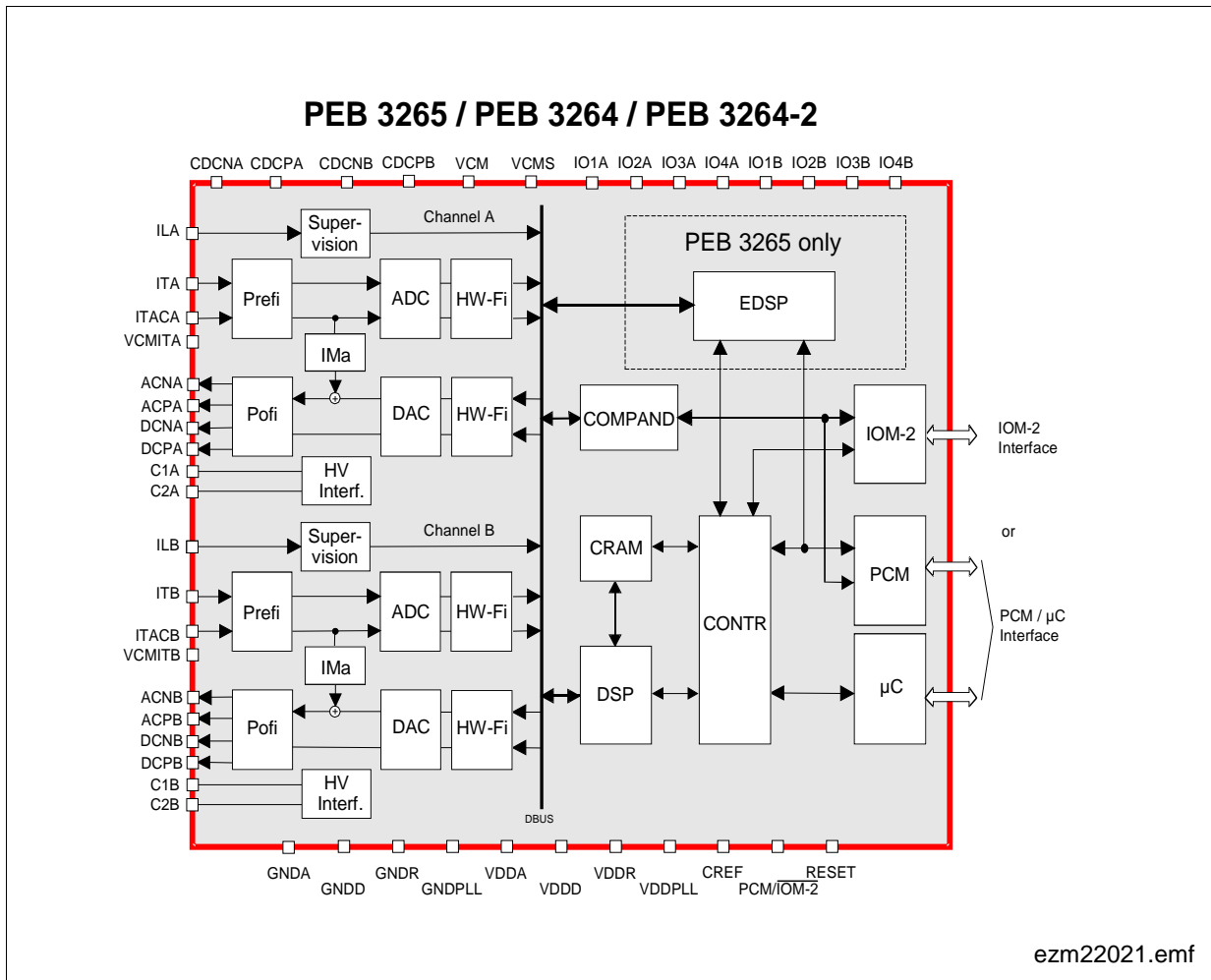


Figure 12 Block Diagram SLICOFI-2/-2S/-2S2 (PEB 3265, PEB 3264/-2)

¹⁾ The add-on functions are DTMF detection, Caller ID generation, Message Waiting lamp support, Three Party Conferencing, Universal Tone Detection (UTD), Line Echo Cancellation (LEC) and Sleep Mode.

3.3 DC Feeding

DC feeding with the DuSLIC is fully programmable by using the software coefficients depicted in [Table 5](#) on [Page 45](#).

Figure 13 shows the signal paths for DC feeding between the SLIC and *SLICOFI-2x*:

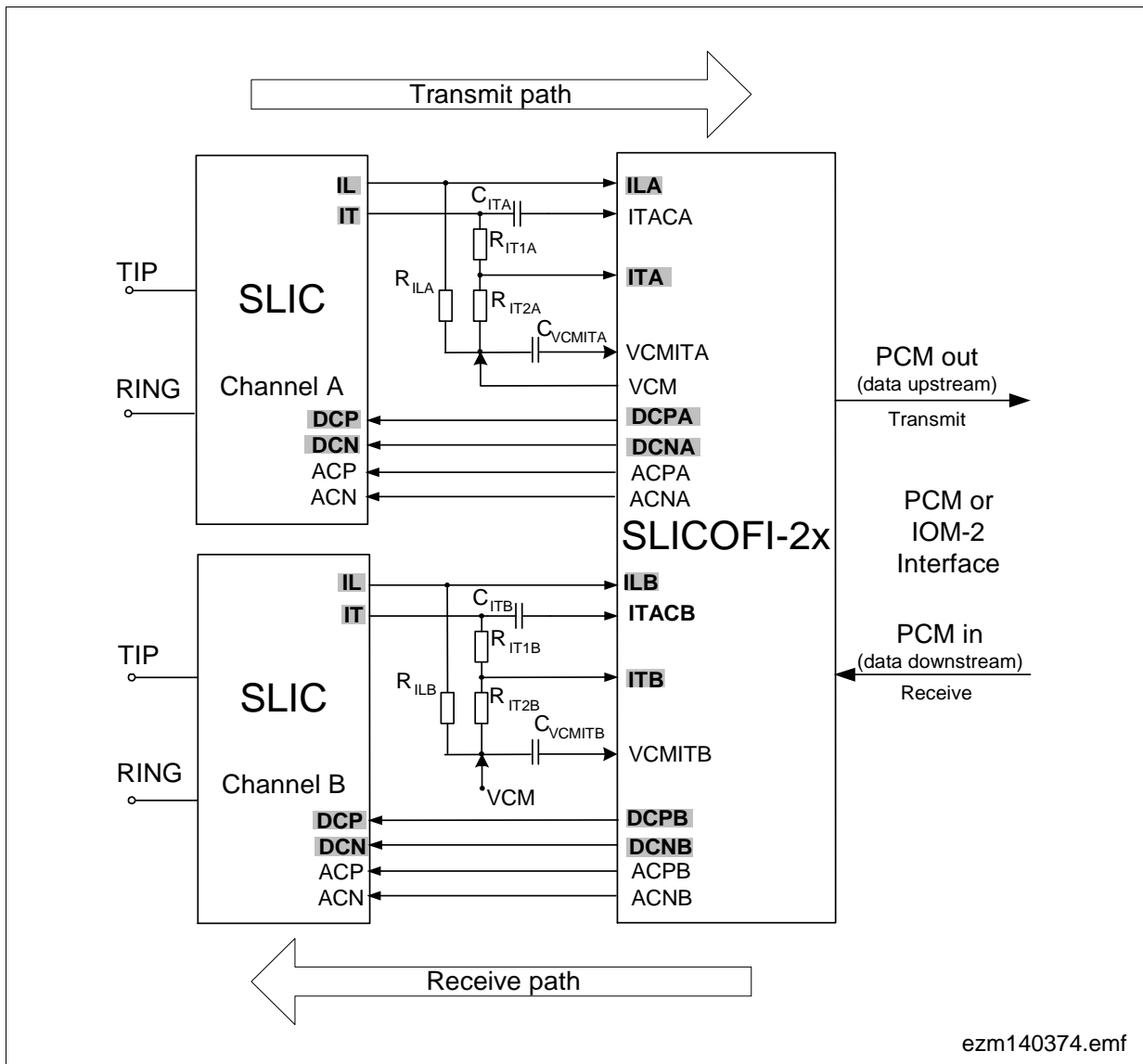


Figure 13 Signal Paths – DC Feeding

3.3.1 DC Characteristic Feeding Zones

The DuSLIC DC feeding characteristic has three different zones: the constant current zone, the resistive zone and the constant voltage zone. A voltage reserve V_{RES} (see [Chapter 3.3.7](#)) can be selected to avoid clipping the high level AC signals (e.g. TTX) and to take into account the voltage drop of the SLIC. The DC feeding characteristic is shown in [Figure 14](#).

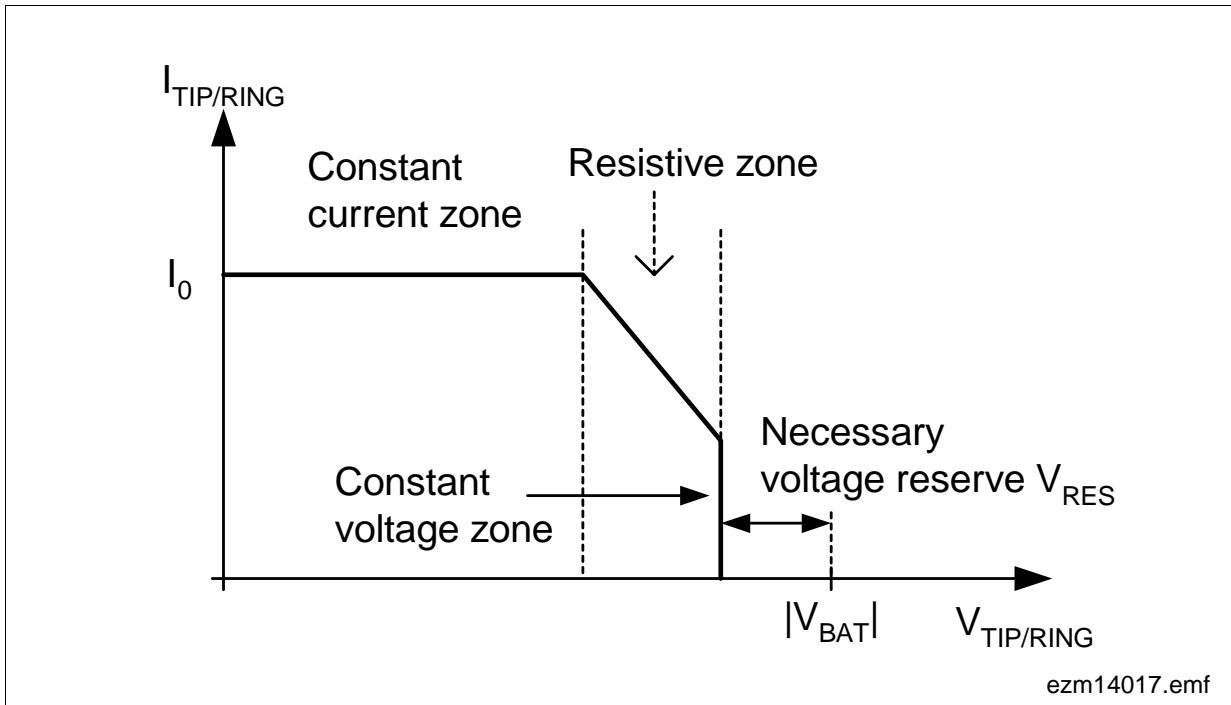


Figure 14 DC Feeding Characteristic

The simplified diagram shows the constant current zone as an ideal current source with an infinite internal resistance, while the constant voltage zone is shown as an ideal voltage source with an internal resistance of 0Ω . For the specification of the internal resistances see [Chapter 3.3.5](#).

3.3.2 Constant Current Zone

In the off-hook state, the feed current must usually be kept at a constant value independent of load (see [Figure 15](#)). The SLIC senses the DC current and supplies this information to *SLICOFI-2x* via the IT pin (input pin for DC control). *SLICOFI-2x* compares the actual current with the programmed value and adjusts the SLIC drivers as necessary. $I_{TIP/RING}$ in the constant current zone is programmable from 0 to 32 mA or 0 to 50 mA depending on the used SLIC version.

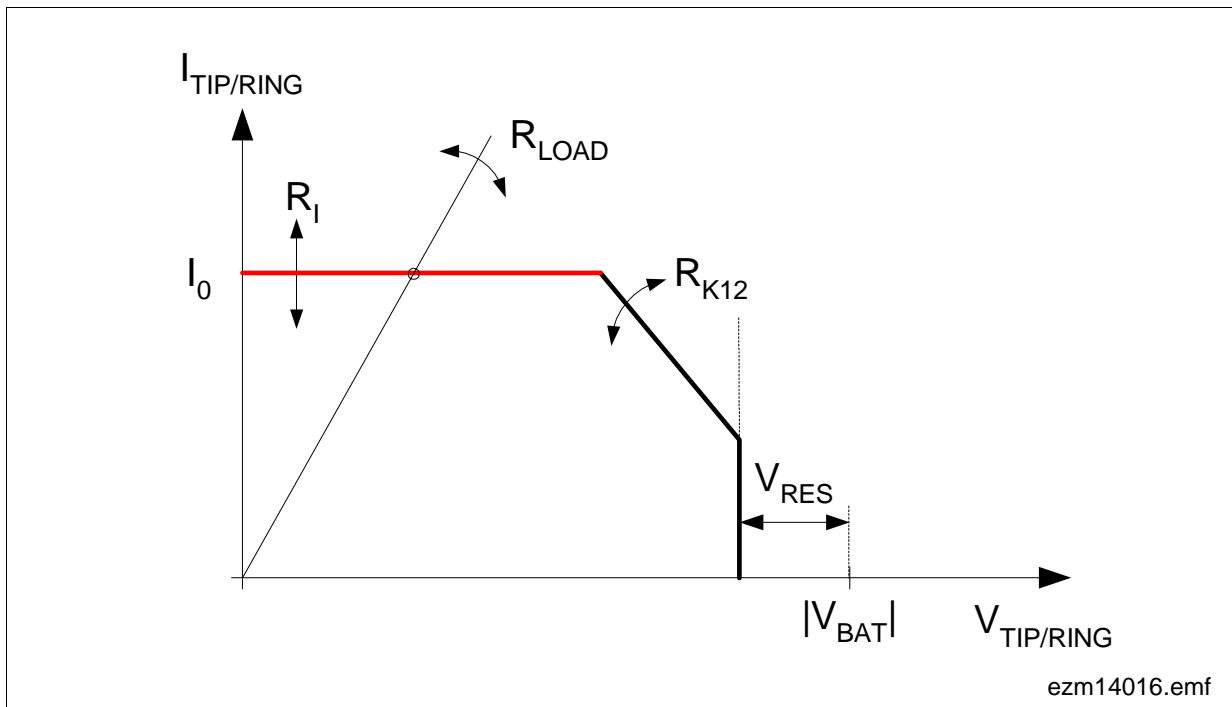


Figure 15 Constant Current Zone

Depending on the load, the operating point is determined by the voltage $V_{TIP/RING}$ between the Tip and Ring pins.

The operating point is calculated from:

$$V_{TIP/RING} = R_{LOAD} \times I_{TIP/RING}$$

where

$$R_{LOAD} = R_{PRE} + R_{LINE} + R_{PHONE,OFF-HOOK}$$

$$R_{PRE} = R_{PROT} + R_{STAB} \text{ (see [Figure 99](#) on [Page 370](#)).$$

The lower the load resistance R_{LOAD} , the lower the voltage between the Tip and Ring pins. A typical value for the programmable feeding resistance in the constant current zone is about $R_I = 10 \text{ k}\Omega$ (see [Table 5](#)).

3.3.3 Resistive Zone

The programmable resistive zone R_{K12} of DuSLIC provides extra flexibility over a wide range of applications. The resistive zone is used for very long lines where the battery is incapable of feeding a constant current into the line.

The operating point in this case crosses from the constant current zone for low and medium impedance loops to the resistive zone for high impedance loops (see [Figure 16](#)). The resistance of the zone R_{K12} is programmable from R_V to 1000Ω .

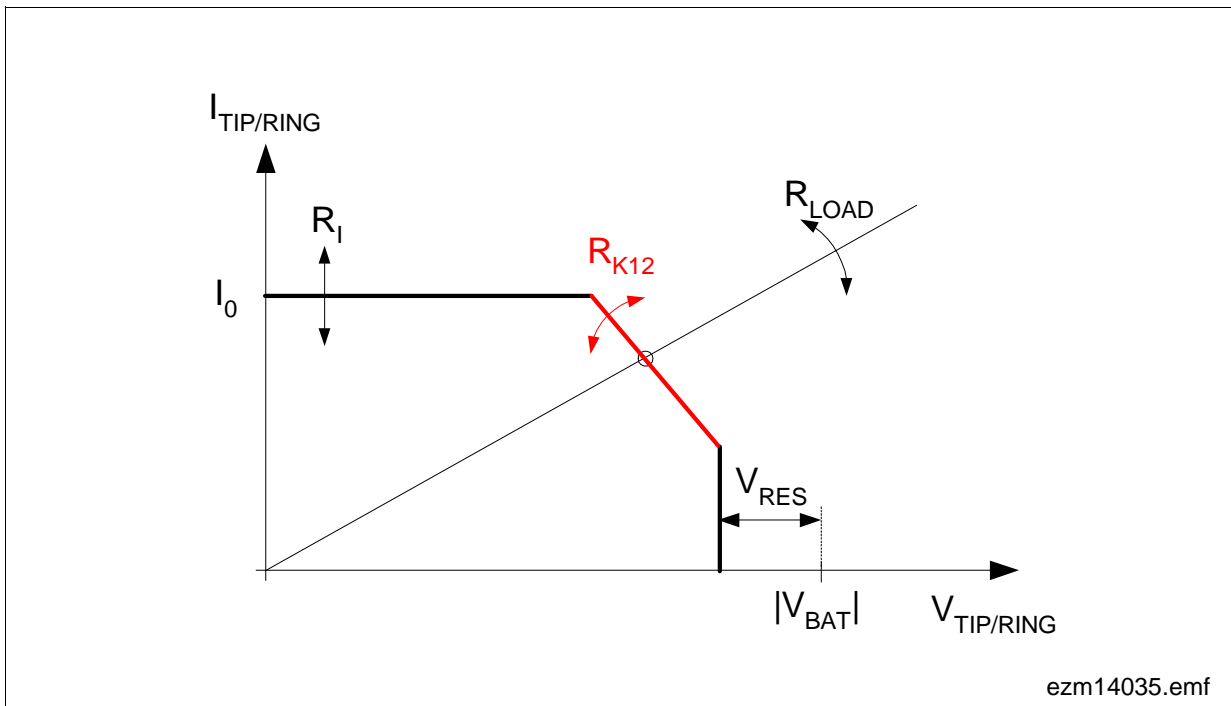


Figure 16 Resistive Zone

3.3.4 Constant Voltage Zone

The constant voltage zone (see **Figure 17**) is used in some applications to supply a constant voltage to the line. In this case $V_{TIP/RING}$ is constant and the current depends on the load between the Tip and Ring pin.

In the constant voltage zone the external resistors $R_{PRE} = R_{Stab} + R_{Prot}$ necessary for stability and protection define the resistance R_V seen at the RING and TIP wires of the application.

The programmable range of the parameters R_I , I_0 , I_{K1} , V_{K1} , R_{K12} and V_{LIM} is given in **Table 5**.

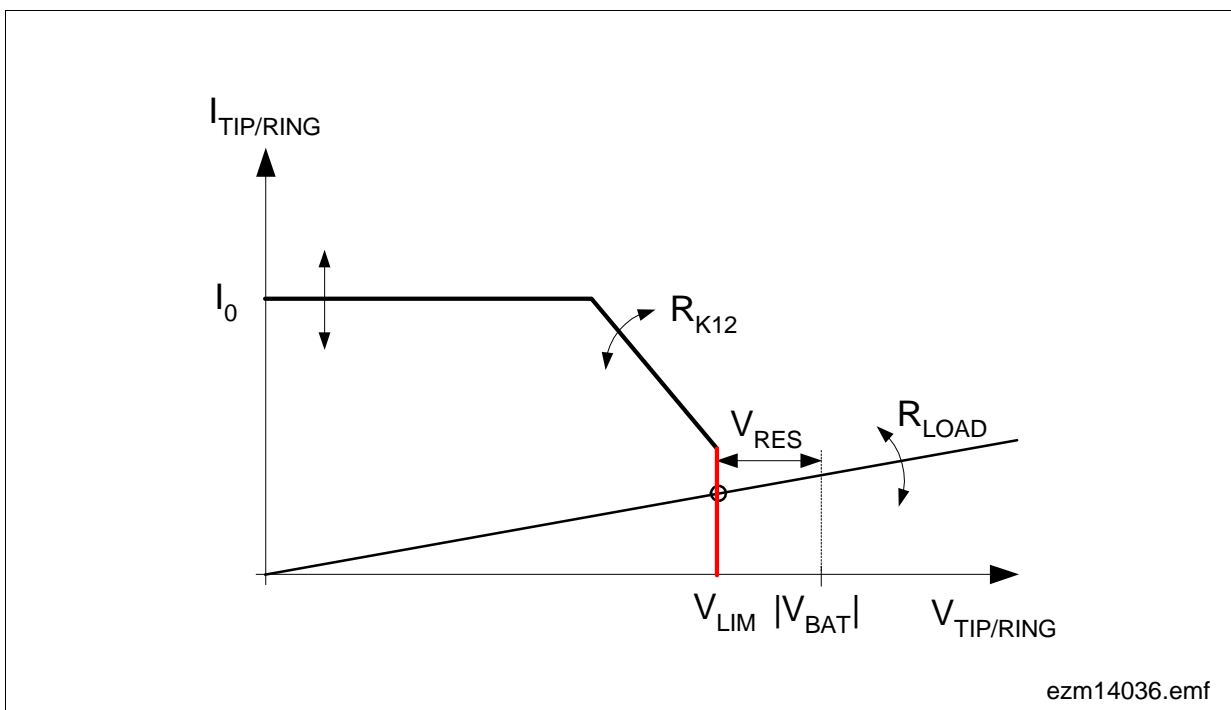


Figure 17 Constant Voltage Zone

3.3.5 Programmable Voltage and Current Range of DC Characteristic

The DC characteristic and all symbols are shown in [Figure 18](#).

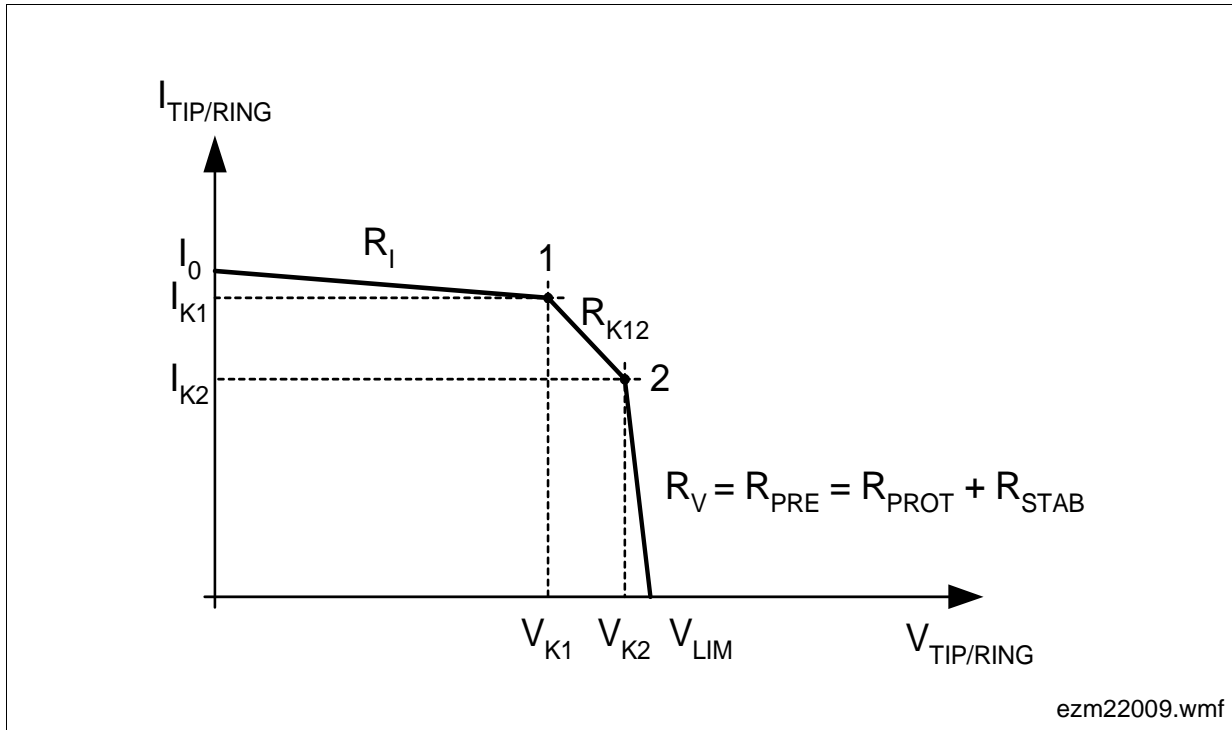


Figure 18 DC Characteristic

Table 5 DC Characteristic

Symbol	Programmable Range	Condition
R_I	1.8 k Ω ... 40 k Ω	–
I_0	0 ... 32 mA	only for DuSLIC-S, DuSLIC-E, DuSLIC-P
	0 ... 50 mA	only for DuSLIC-S2, DuSLIC-E2
I_{K1}	0 ... 32 mA	only for DuSLIC-S, DuSLIC-E, DuSLIC-P
	0 ... 50 mA	only for DuSLIC-S2, DuSLIC-E2
V_{K1}	0 ... 50 V	–
	$V_{K1} < V_{LIM} - I_{K1} \times R_{K12}$	only (V_{K1}, I_{K1})
	$V_{K1} < V_{LIM} - I_{K1} \times R_V$ $V_{K1} > V_{LIM} - I_{K1} \times R_{K12}$	(V_{K1}, I_{K1}) and (V_{K2}, I_{K2})
R_{K12}	R_V ... 1000 Ω	–
V_{LIM}	0 ... 50 V	–
	$V_{LIM} > V_{K1} + I_{K1} \times R_{K12}$	only (V_{K1}, I_{K1})

3.3.6 SLIC Power Dissipation

The major portion of the power dissipation in the SLIC can be estimated by the power dissipation in the output stages. The power dissipation can be calculated from:

$$P_{\text{SLIC}} \approx (V_{\text{BAT}} - V_{\text{TIP/RING}}) \times I_{\text{TIP/RING}}$$

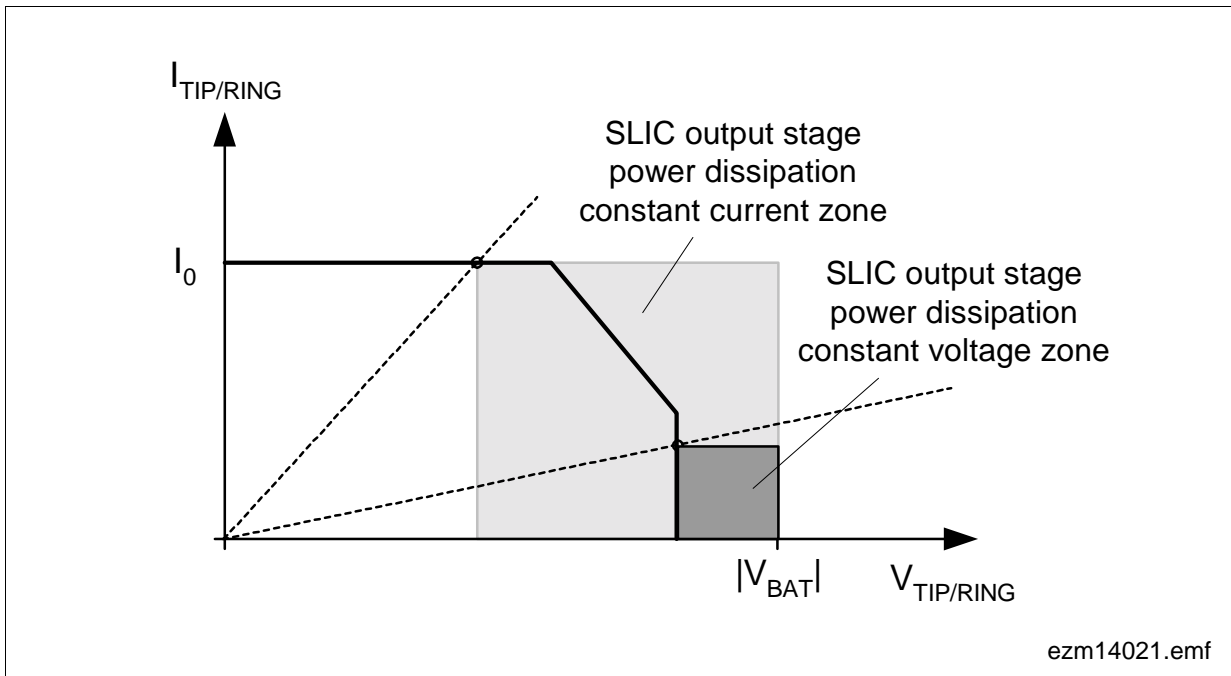


Figure 19 Power Dissipation

For further information see [Chapter 4.7.3](#) on [Page 95](#).

3.3.7 Necessary Voltage Reserve

To avoid clipping AC speech signals as well as AC metering pulses, a voltage reserve V_{RES} (see [Figure 14](#)) has to be provided.

$$V_{RES} = |V_{BAT}| - V_{LIM}$$

V_{BAT} is the selected battery voltage, which can be depending on the mode either V_{BATH} , V_{BATL} , $(V_{HR} - V_{BATH})$ for SLIC-S/-S2/-E/-E2 or V_{BATH} , V_{BATL} , $-V_{BATR}$ for SLIC-P.

V_{RES} consists of:

- Voltage reserve of the SLIC output buffers: this voltage drop depends on the output current through the Tip and Ring pins. For a standard output current of 25 mA, this voltage reserve is a few volts (see [Table 17](#) on [Page 95](#)).
- Voltage reserve for AC speech signals: max. signal amplitude (example 2 V)
- Voltage reserve for AC metering pulses: The TTX signal amplitude V_{TTX} depends on local specifications and varies from 0.1 Vrms to several Vrms at a load of 200 Ω . To obtain $V_{TTX} = 2$ Vrms at a load of 200 Ω and $R_{PRE} = 50$ Ω ($R_{PRE} = R_{PROT} + R_{STAB}$, see [Figure 99](#) on [Page 370](#)), 3 Vrms = 4.24 Vpeak are needed at the SLIC output.

Therefore a V_{RES} value of 10.24 V must be selected (= 4 V (SLIC drop for peak current of DC and speech and TTX) + 2 V (AC speech signals) + 4.24 V (TTX-signal)).

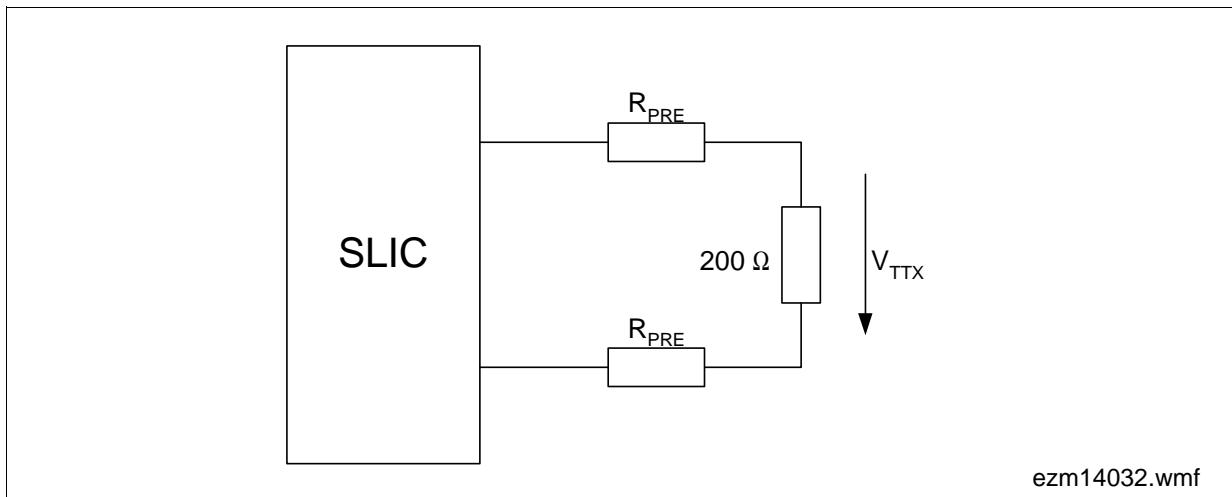


Figure 20 TTX Voltage Reserve Schematic

3.3.8 Extended Battery Feeding

If the battery voltage is not sufficient to supply the minimum required current through the line even in the resistive zone, the auxiliary positive battery voltage can be used to expand the voltage swing between Tip and Ring. With this extended supply voltage V_{HR} (DuSLIC-S/E) respectively V_{BATR} (DuSLIC-P), it is possible to supply the constant current for long lines. **Figure 21** shows the DC feeding impedances $R_{MAX,ACTH}$ in ACTH mode and $R_{MAX,ACTR}$ in ACTR mode (for ACTH and ACTR modes see **Chapter 4.1**).

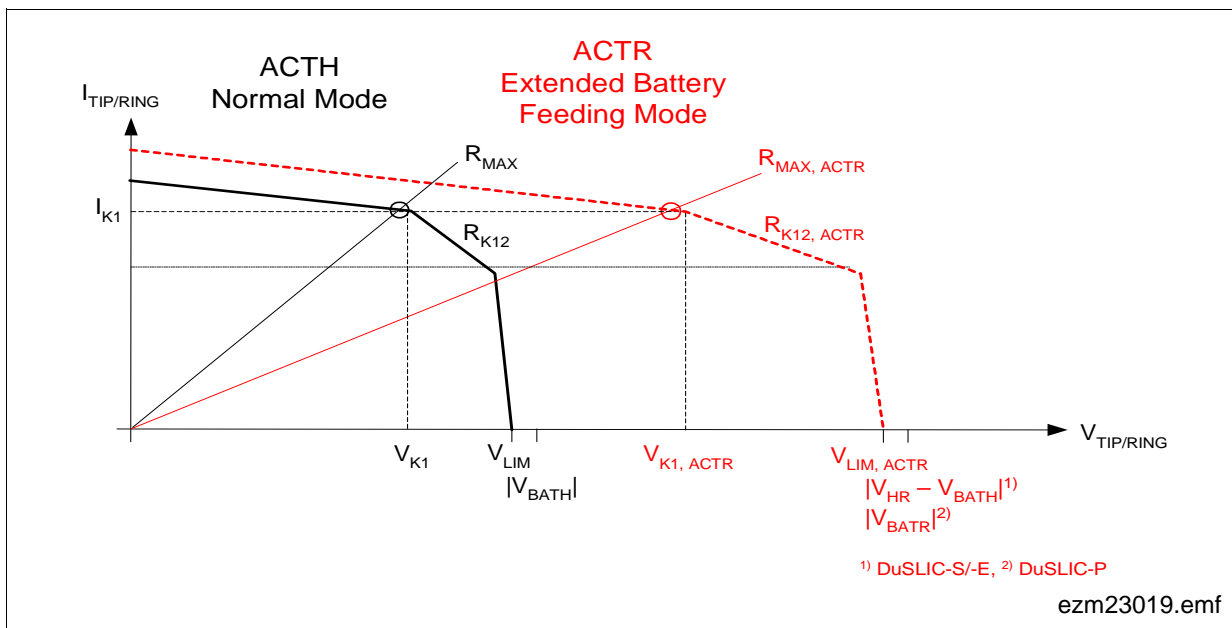


Figure 21 DC Feeding Characteristics (ACTH, ACTR)

The extended feeding characteristic is determined by the feeding characteristic in normal mode (ACTH) and an additional gain factor K_B (DuSLICOS DC Control Parameter 1/3: Additional Gain in active Ring):

$$V_{LIM,ACTR} = V_{LIM} \times K_B$$

$$V_{K1,ACTR} = V_{K1} \times K_B + R_V \times I_{K1} \times (K_B - 1) \approx V_{K1} \times K_B$$

$$R_{K12,ACTR} = K_B \times (R_{K12} - R_V) + R_V \approx R_{K12} \times K_B$$

$$R_{I,ACTR} = R_I \times K_B / 2$$

$$I_{K2,ACTR} = I_{K2} \times K_B \times (R_{K12} - R_V) / (K_B \times R_{K12} - R_V)$$

$$V_{K2,ACTR} = V_{LIM,ACTR} - I_{K2,ACTR} \times R_V$$

3.4 AC Transmission Characteristics

SLICOFI-2x uses either an IOM-2 or a PCM digital interface. In receive direction, *SLICOFI-2x* converts PCM data from the network and outputs a differential analog signal (ACP and ACN) to the SLIC, that amplifies the signal and applies it to the subscriber line. In transmit direction, the transversal (IT) and longitudinal (IL) currents on the line are sensed by the SLIC and fed to the *SLICOFI-2x*. A capacitor separates the transversal line current into DC (IT) and AC (ITAC) components. As ITAC is the sensed transversal (also called metallic) current on the line, it includes both the receive and transmit components. *SLICOFI-2x* separates the receive and transmit components digitally, via a transhybrid circuit. **Figure 22** shows the signal paths for AC transmission between the SLICs and *SLICOFI-2x*:

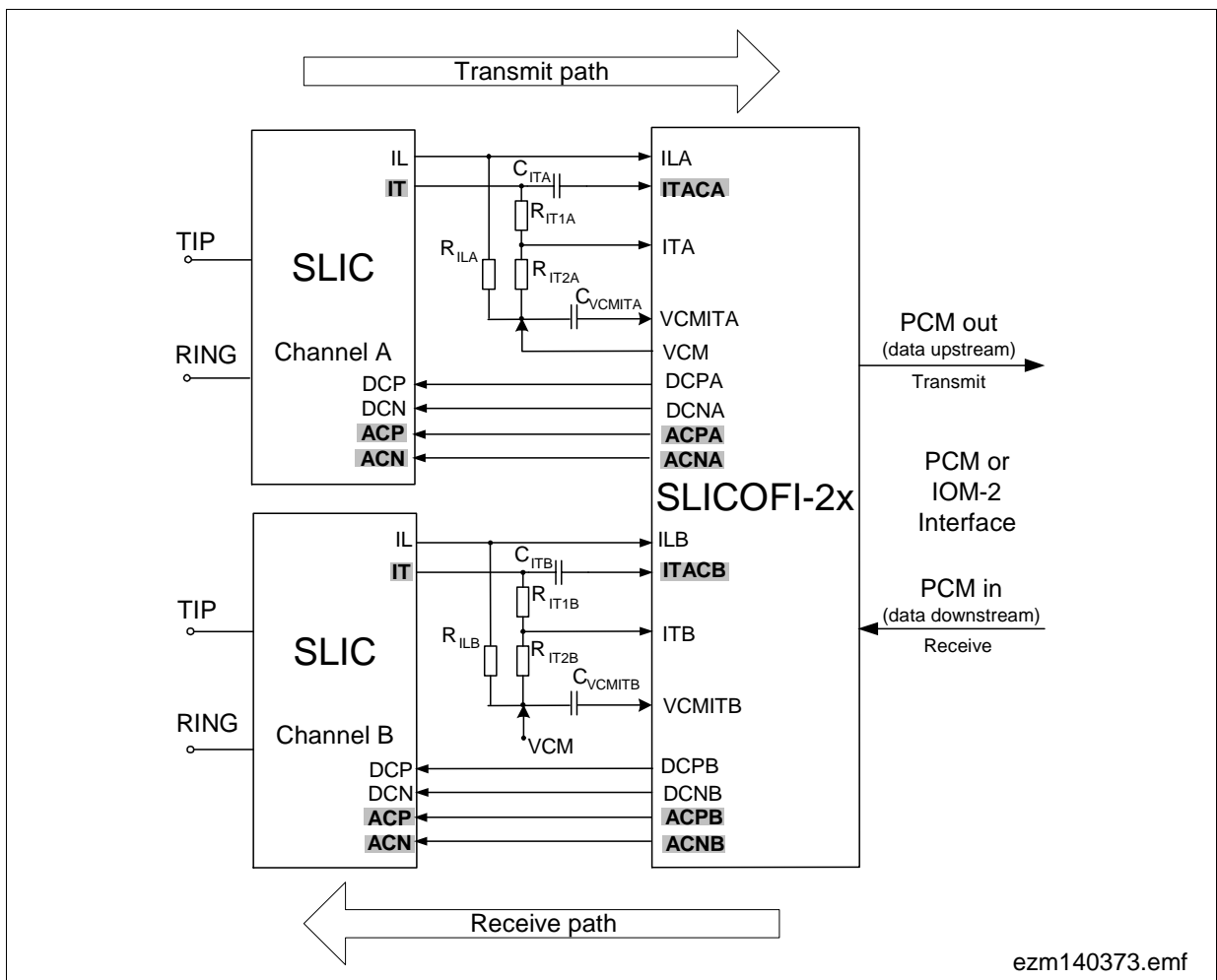
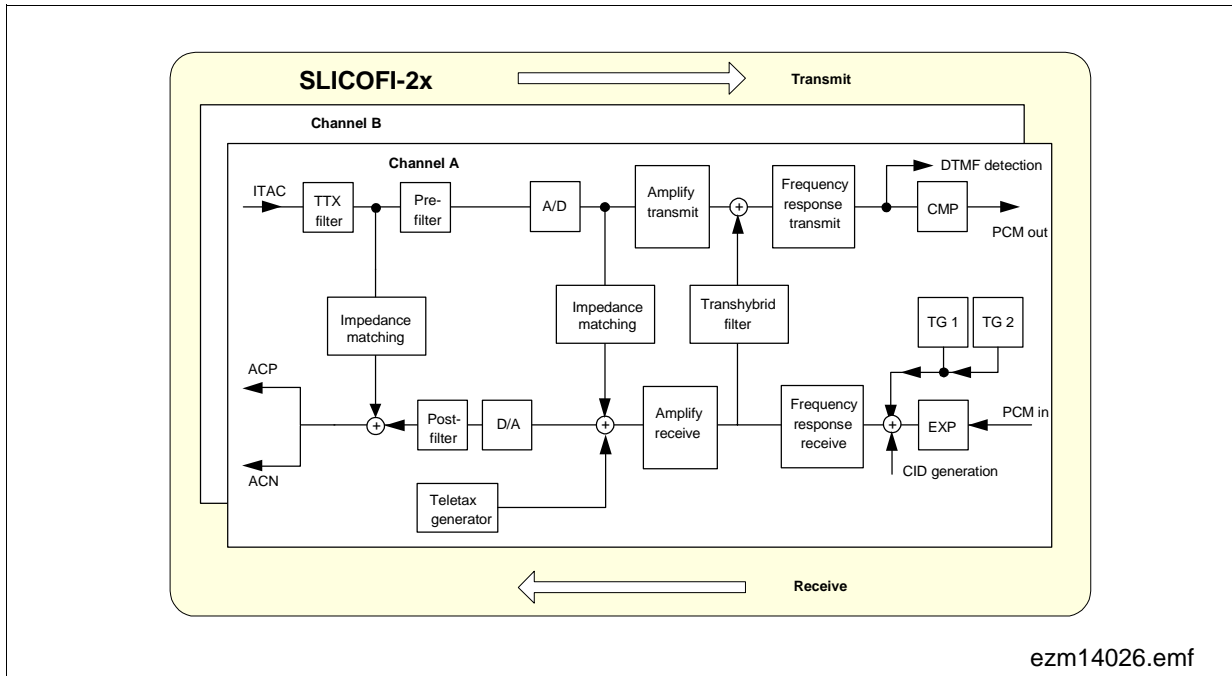


Figure 22 Signal Paths - AC Transmission

The signal flow within the *SLICOFI-2x* for one voice channel is shown in **Figure 23** by the following schematic circuitry. With the exception of a few analog filter functions, signal processing is performed digitally in the *SLICOFI-2x*.



ezm14026.emf

Figure 23 Signal Flow in Voice Channel (A)

3.4.1 Transmit Path

The current sense signal (ITAC) is converted to a voltage by an external resistor. This voltage is first filtered by an anti-aliasing filter (pre-filter), that stops producing noise in the voiceband from signals near the A/D sampling frequency. A/D conversion is done by a 1-bit sigma-delta converter. The digital signal is down-sampled further and routed through programmable gain and filter stages. The coefficients for the filter and gain stages can be programmed to meet specific requirements. The processed digital signal goes through a compander (CMP) that converts the voice data into A-law or μ -law codes. A time slot assignment unit outputs the voice data to the programmed time slot. *SLICOFI-2x* can also operate in 16-bit linear mode for processing uncompressed voice data. In this case, two time slots are used for one voice channel.

3.4.2 Receive Path

The digital input signal is received via the IOM-2 or PCM interface. Expansion (EXP), PCM low-pass filtering, frequency response correction and gain correction are performed by the DSP. The digital data stream is up-sampled and converted to a corresponding analog signal. After smoothing by post-filters in the *SLICOFI-2x*, the AC signal is fed to the SLIC, where it is superimposed on the DC signal. The DC signal has been processed in a separate DC path. A TTX signal, generated digitally within *SLICOFI-2x*, can also be added.

3.4.3 Impedance Matching

The SLIC outputs the voice signal to the line (receive direction) and also senses the voice signal coming from the subscriber. The AC impedance of the SLIC and the load impedance need to be matched in order to maximize power transfer and minimize two-wire return loss. The two-wire return loss is a measure of the impedance matching between a transmission line and the AC termination of DuSLIC.

Impedance matching is done digitally within *SLICOFI-2x* by providing three impedance matching feedback loops. The loops feed the transmit signal back to the receive signal simulating the programmed impedance through the SLIC. When calculating the feedback filter coefficients, the external resistors between the protection network and SLIC ($R_{PRE} = R_{PROT} + R_{STAB}$, see [Figure 100, Page 372](#)) have to be taken into account. The impedance can be programmed to any appropriate real and complex values shown in the Nyquist diagram [Figure 24](#). This means that the device can be adapted to requirements anywhere in the world without requiring the hardware changes that are necessary with conventional line card designs.

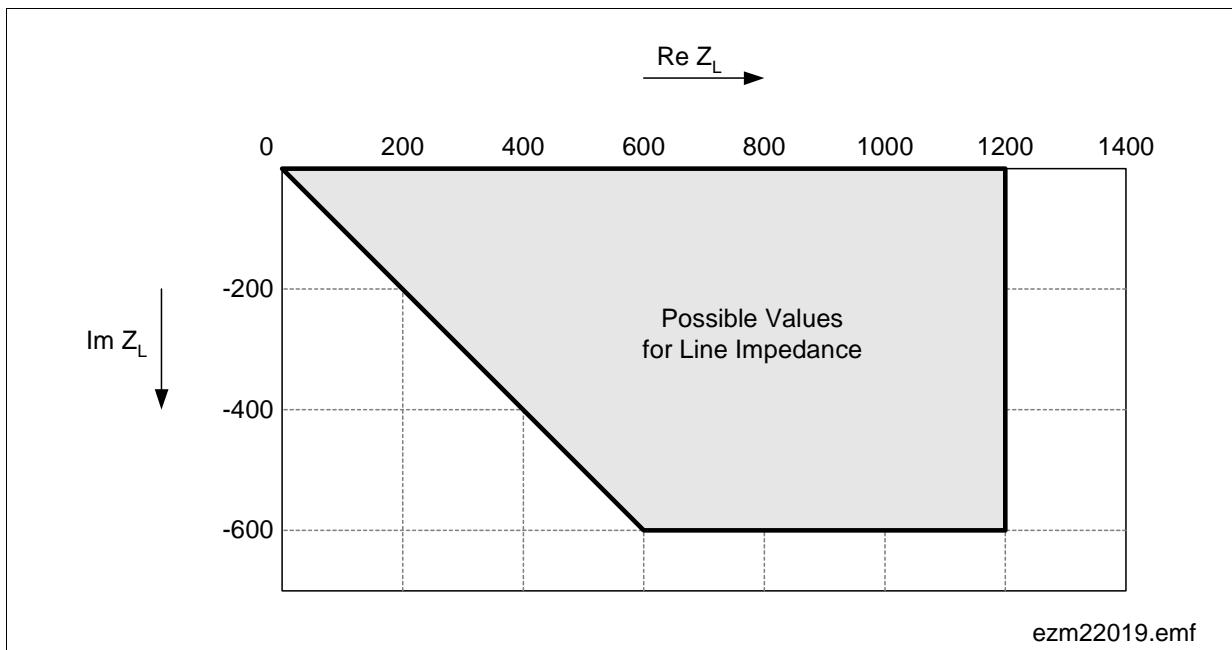


Figure 24 Nyquist Diagram

3.5 Ringing

With the 170 V technology used for the SLIC, a ringing voltage of up to 85 Vrms can be generated on-chip without the need for an external ringing generator. The *SLICOFI-2x* generates a sinusoidal ringing signal that causes less noise and cross-talk in neighboring lines than a trapezoidal ringing signal. The ringing frequency is programmable from 3 to 300 Hz.

SLIC-E/-E2, SLIC-S/-S2 and SLIC-P support different ringing methods (see [Chapter 3.5.3](#)).

3.5.1 Ringer Load

A typical ringer load can be thought of as a resistor in series with a capacitor. Ringer loads are usually described as a REN (Ringer Equivalence Number) value. REN is used to describe the on-hook impedance of the terminal equipment, and is actually a dimensionless ratio that reflects a certain load. REN definitions vary from country to country. A commonly used REN is described in FCC part 68 that defines a single REN as either 5 kΩ, 7 kΩ or 8 kΩ of AC impedance at 20 Hz. The impedance of an n-multiple REN is equivalent to parallel connection of n single RENs. In this manual, all references to REN assume the 7 kΩ model.

For example, a 1 REN and 5 REN load would be:

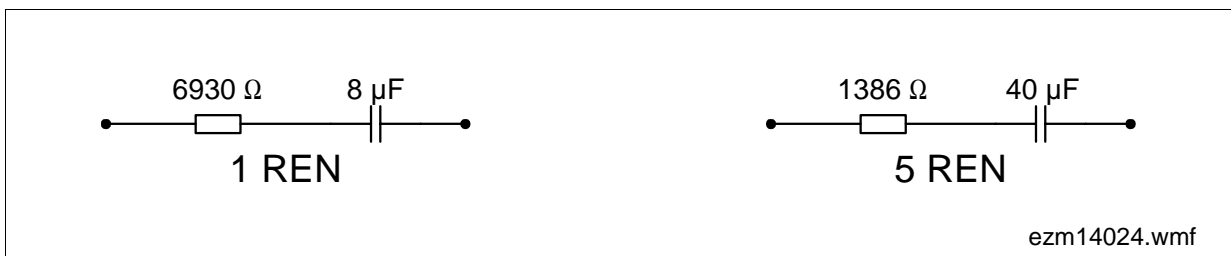


Figure 25 Typical Ringer Loads of 1 and 5 REN Used in US

3.5.2 Ring Trip

Once the subscriber has gone off-hook, the ringing signal must be removed within a specified time, and power must start feeding to the subscriber's phone. There are two ring trip methods:

DC Ring Trip Detection

Most applications with DuSLIC are using DC ring trip detection. By applying a DC offset together with the ringing signal, a transversal DC loop current starts to flow when the subscriber goes off-hook. This DC current is sensed by the SLIC and in this way used as an off-hook criterion. The SLIC supplies this information to the *SLICOFI-2x* at the IT pin. The *SLICOFI-2x* continuously integrates the sensed line current I_{TRANS} over one

Preliminary

Functional Description

ringer period. This causes the integration result to represent the DC component of the ring current. If the DC current exceeds the programmed ring trip threshold, *SLICOFI-2x* generates an interrupt. Ring trip is reliably detected and reported within two ring signal periods. The ringing signal is switched off automatically at zero crossing by the *SLICOFI-2x*. The threshold for the ring trip DC current is set internally in *SLICOFI-2x*, programmed via the digital interface. The DC offset for ring trip detection can be generated by the DuSLIC chip set and the internal ring trip function can be used, even if an external ringing generator is used.

AC Ring Trip Detection

For short lines (< 1 k Ω loop length) and for low-power applications, the DC offset can be avoided to reduce the battery voltage for a given ring amplitude. Ring trip detection is done by rectifying the ring current I_{TRANS} , integrating it over one ringer period and comparing it to a programmable AC ring trip threshold. If the ring current exceeds the programmed threshold the HOOK bit in register INTREG1 is set accordingly.

Most applications with DuSLIC are using DC ring trip detection, which is more reliable than AC ring trip detection.

3.5.3 Ringing Methods

There are two methods of ringing:

- Balanced ringing (bridged ringing)
- Unbalanced ringing (divided ringing)

Internal balanced ringing generally offers more benefits compared to unbalanced ringing:

- Balanced ringing produces much less longitudinal voltage, which results in a lower amount of noise coupled into adjacent cable pairs
- By using a differential ringing signal, lower supply voltages become possible

The phone itself cannot distinguish between balanced and unbalanced ringing. Where unbalanced ringing is still used, it is often simply a historical leftover. For a comparison between balanced and unbalanced ringing see also ANSI document T1.401-1993.

Additionally, integrated ringing with the DuSLIC offers the following advantages:

- Internal ringing (no need for external ringing generator and relays)
- Reduction of board space because of much higher integration and fewer external components
- Programmable ringing amplitude, frequency and ringing DC offset without hardware changes
- Programmable ring trip thresholds
- Switching off the ringing signal at zero-crossing

3.5.4 DuSLIC Ringing Options

Application requirements differ with regard to ringing amplitudes, power requirements, loop length and loads. The DuSLIC options include three different SLICs to select the most appropriate ringing methods (see [Table 6](#)):

Table 6 Ringing Options with SLIC-S, SLIC-E/-E2 and SLIC-P

SLIC Version/ Ringing Facility, Battery Voltages	SLIC-S PEB 4264	SLIC-E/-E2 PEB 4265 PEB 4265-2	SLIC-P PEB 4266
Internal balanced ringing max. voltage in Vrms (sinusoidal) with 20 V _{DC} used for ring trip detection	45 Vrms	85 Vrms	85 Vrms
DC voltage for balanced ringing ¹⁾	programmable typ. 0 ... 50 V	programmable typ. 0 ... 50 V	programmable typ. 0 ... 50 V
Internal unbalanced ringing max. voltage in Vrms (sinusoidal)	NO	NO	50 Vrms
DC voltage for unbalanced ringing	NO	NO	V _{BATR} /2
Required SLIC supply voltages for maximum ringing amplitude (typically)	V _{DD} = 5 V, V _{BATH} = - 54 V, V _{HR} = 36 V	V _{DD} = 5 V, V _{BATH} = - 70 V, V _{HR} = 80 V	V _{DD} = 5 V or 3.3 V, V _{BATH} = - 70 V, V _{BATR} = - 150 V
Number of battery voltages for power saving	2 (V _{BATL} & V _{BATH})	2 (V _{BATL} & V _{BATH})	2 (when internal ringing is used) 3 (when external ringing is used)

¹⁾ In most applications 20 V_{DC} are sufficient for reliable ring trip detection. A higher DC voltage will reduce the achievable maximum ringing voltage. For short loops 10 V_{DC} may be sufficient.

SLIC-S allows balanced ringing up to 45 Vrms and is dedicated for short loop or PBX applications.

For SLIC-S2 only external ringing is provided.

SLIC-E/-E2 allows balanced ringing up to 85 Vrms and can therefore be used in systems with higher loop impedance.

Preliminary
Functional Description

The low-power SLIC-P is optimized for power-critical applications (e.g. intelligent ISDN network termination). Internal ringing can be used up to 85 Vrms balanced or 50 Vrms unbalanced. For lowest power applications where external ringing is preferred, three different battery voltages (V_{BATR} , V_{BATH} , V_{BATL}) can be used for optimizing the power consumption of the application.¹⁾

SLIC-E/-E2 and SLIC-P differ in supply voltage configuration and the ring voltages at Tip and Ring V_T and V_R . External ringing is supported by both SLIC's.

Both internal and external ringing is activated by switching the DuSLIC to ringing mode by setting the CIDD/CIOP bits M2, M1, M0 to 101.

External Ringing Support by DuSLIC

The following settings have to be made:

- Enabling the use of an external ring signal generator by setting bit REXT-EN in Register BCR2 to 1.
- A TTL compatible zero crossing signal has to be applied to the RSYNC pin of the SLICOFI-2x (see [Figure 26](#)).
- Activating the ringing mode by setting the CIDD/CIOP bits M2, M1, M0 to 101.
- Setting the DuSLIC internal ring frequency to a value according a factor of about 0.75 of the external ring frequency.

The ring relay is controlled by the IO1 pin (see [Figure 100](#)). Due to the high current drive capability of the IO1 output, no additional relay driver is necessary.

The relay is switched:

- **Synchronous** to the zero crossing of the external ringing frequency (bit ASYNCH-R in register XCR set to 0)

A ring generator delay $T_{RING,DELAY}$ (see DuSLICOS control parameters 2/3) can be programmed to consider the ring relay delay $T_{RING-RELAY,DELAY}$ as shown in [Figure 26](#).

- **Asynchronous** (bit ASYNCH-R in register XCR set to 1)

The ring relay is switched immediately with the ring command.

¹⁾ In this case V_{BATR} is typically used for the on-hook state, while V_{BATH} and V_{BATL} are used for optimized feeding of different loop length in the off-hook state.

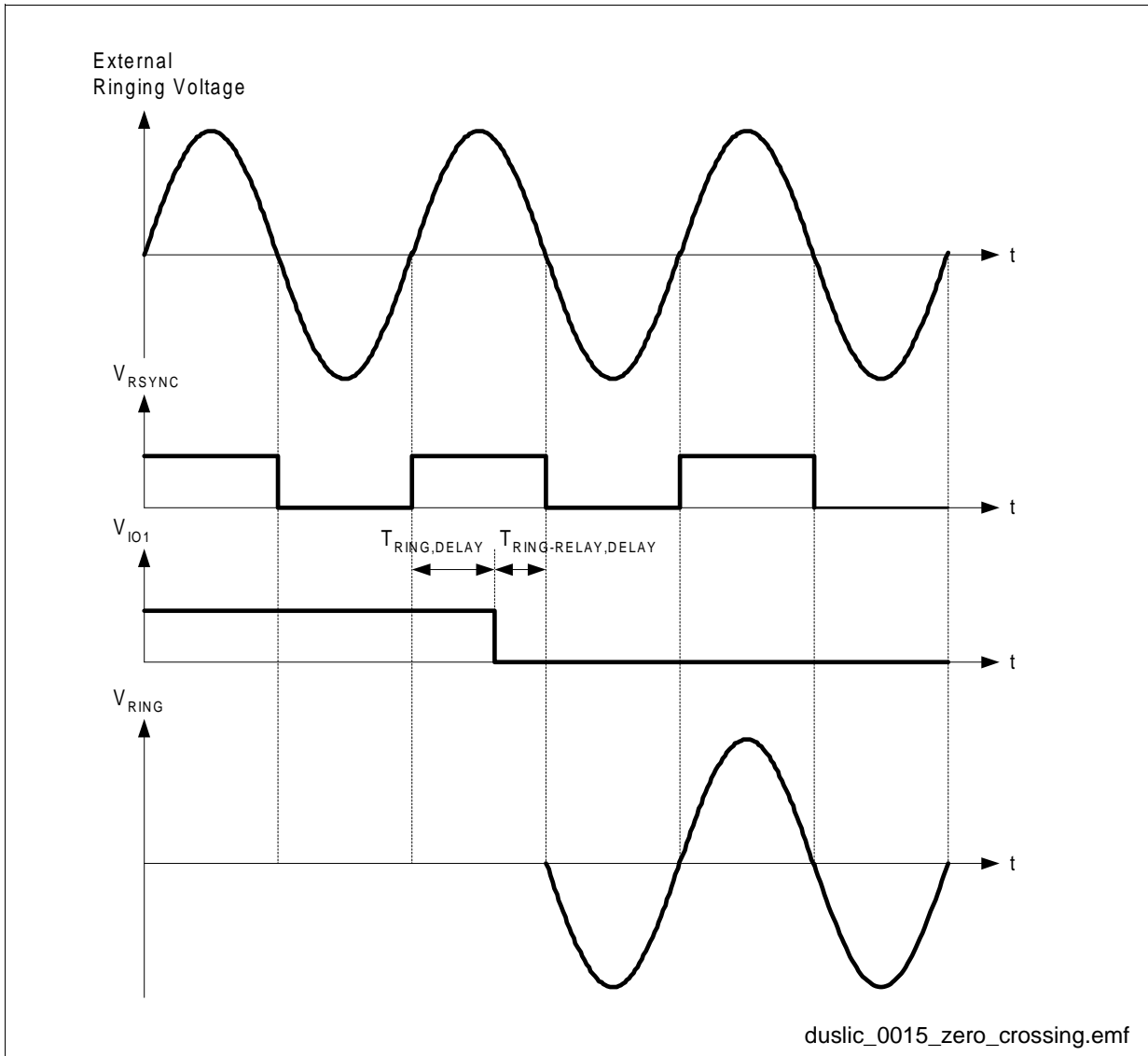


Figure 26 External Ringing Zero Crossing Synchronization

3.5.5 Internal Balanced Ringing via SLICs

SLIC-E/-E2 and SLIC-P support internal balanced ringing up to $V_{RING,RMS} = 85 \text{ Vrms}$, SLIC-S support balanced ringing up to $V_{RING,RMS} = 45 \text{ Vrms}$ ¹⁾.

The ringing signal is generated digitally within *SLICOFI-2x*²⁾.

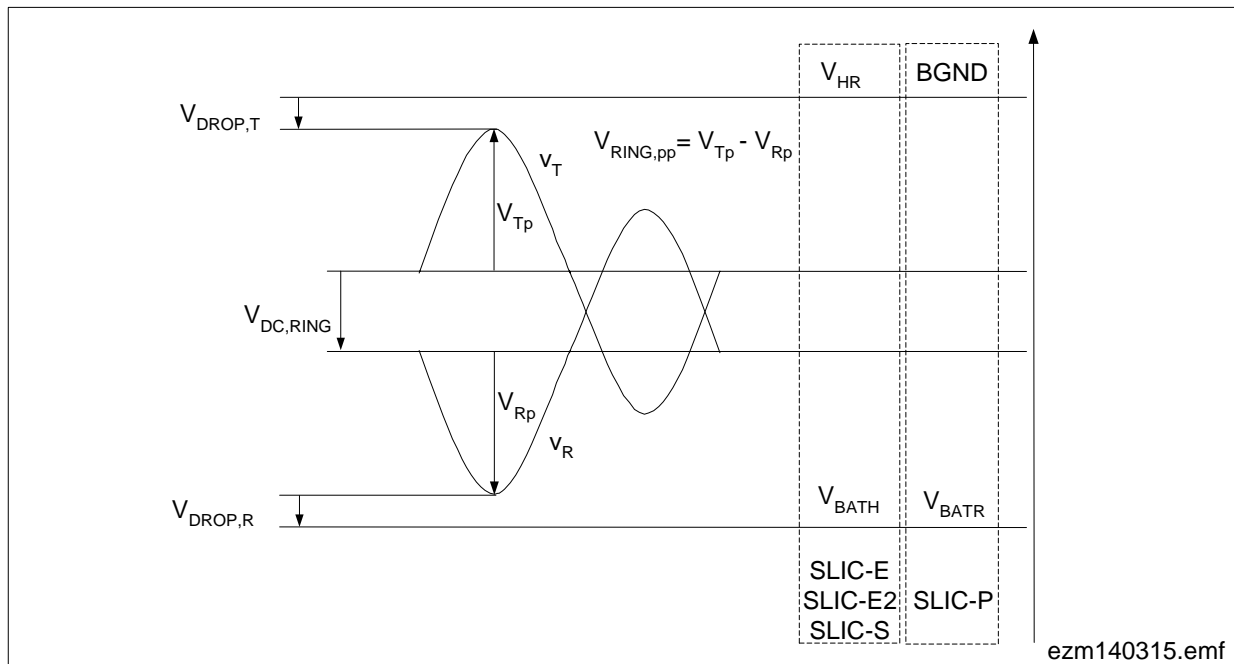


Figure 27 Balanced Ringing via SLIC-E/-E2, SLIC-S and SLIC-P

In ringing mode, the DC feeding regulation loop is not active. A programmable DC ring offset voltage is applied to the line instead. During ring bursts, the ringing DC offset and the ringing signal are summed digitally within *SLICOFI-2x* in accordance with the programmed values. This signal is then converted to an analog signal and applied to the SLIC. The SLIC amplifies the signal and supplies the line with ringing voltages up to 85 Vrms. In balanced ringing mode, the SLIC uses an additional supply voltage V_{HR} for SLIC-E/-E2/-S and V_{BATR} for SLIC-P. The total supply span is now $V_{HR} - V_{BATH}$ for SLIC-E/-E2/-S and V_{BATR} for SLIC-P.

The maximum ringing voltage that can be achieved is:

for SLIC-E/-E2/-S:
$$V_{RING,RMS} = (V_{HR} - V_{BATH} - V_{DROPT,RT} - V_{DC,RING})/1.41$$

for SLIC-P:
$$V_{RING,RMS} = (-V_{BATR} - V_{DROPT,RT} - V_{DC,RING})/1.41$$

where:
$$V_{DROPT,RT} = V_{DROPT,T} + V_{DROPT,R}$$

¹⁾ In this case $V_{RING,RMS} = V_{RT,RMS} = V_{RT0,RMS}$ because of the low impedance of the SLIC output ($< 1 \Omega$). $V_{RT,RMS}$ is the open-circuit rms voltage measured directly at pins RING and TIP at the SLIC output with ringer load. $V_{RT0,RMS}$ is the rms voltage measured directly at pins RING and TIP at the SLIC output without any ringer load. For calculation of the ringing voltage at the ringer load see the Voltage and Power Application Note and the accompanying MS Excel Sheet for calculation.

²⁾ SLICOFI-2S2 supports only external ringing

With the DuSLIC ringing voltages up to 85 Vrms sinusoidal can be applied, but also trapezoidal ringing can be programmed.

For a detailed application diagram of internal balanced ringing refer to the chapter on “Application Circuits” (see [Figure 97, Page 368](#)).

3.5.6 Internal Unbalanced Ringing with SLIC-P

The internal unbalanced ringing together with SLIC-P can be used for ringing voltages up to 50 Vrms. The SLICOFI-2 integrated ringing generator is used and the ringing signal is applied to either the Tip or Ring line. Ringing signal generation is the same as described above for balanced ringing. Since only one line is used for ringing, technology limits the ringing amplitude to about half the value of balanced ringing, to maximum 50 Vrms.

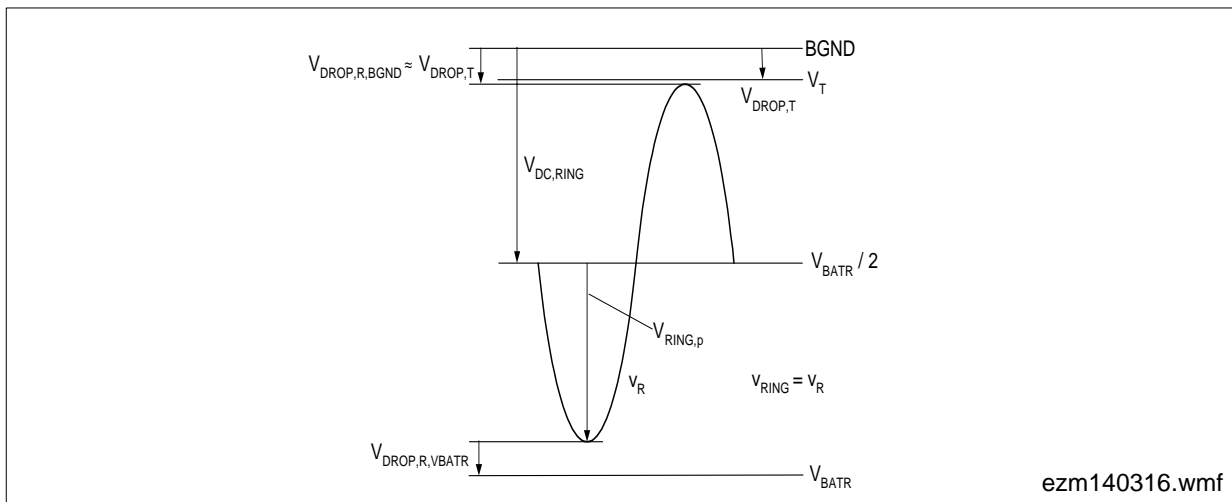


Figure 28 Unbalanced Ringing Signal

The above diagram shows an example with the ring line used for ringing and the Tip line fixed at $-V_{DROP,T}$ which is the drop in the output buffer of the Tip line of SLIC-P (typ. < 1 V). The ring line has a fixed DC voltage of $V_{BATR}/2$ used for ring trip detection.

The maximum ringing voltage is:

$$V_{RING,RMS} = (-V_{BATR} - V_{DROP,R,VBATR} - V_{DROP,T})/2.82$$

When the called subscriber goes off-hook, a DC path is established from the Ring to the Tip line. The DC current is recognized by the SLICOFI-2 because it monitors the IT pin. An interrupt indicates ring trip if the line current exceeds the programmed threshold.

The same hardware can be used for integrated balanced or unbalanced ringing. The balanced or unbalanced modes are configured by software. The maximum achievable amplitudes depend on the values selected for V_{BATR} .

In both balanced and unbalanced ringing modes, SLICOFI-2 automatically applies and removes the ringing signal during zero-crossing. This reduces noise and cross-talk to adjacent lines.

3.5.7 External Unbalanced Ringing

SLICOFI-2x supports external ringing for higher unbalanced ringing voltage requirements above 85 Vrms with all SLICs. For a detailed application diagram of unbalanced ringing see [Figure 100](#) and [Figure 101](#) on [Page 372](#) and [Page 373](#).

Since high voltages are involved, an external relay should be used to switch the RING line off and to switch the external ringing signal together with a DC voltage to the line. The DC voltage has to be applied for the internal ring trip detection mechanism which operates for external ringing in the same way as for internal ringing.

The SLICOFI-2x has to be set to the external ringing mode by the REXT-EN bit in register BCR2. A synchronization signal of the external ringer is applied to the SLICOFI-2x via the RSYNC pin. The external relay is switched on or off synchronously to this signal via the IO1 pin of the SLICOFI-2x according to the actual mode of the DuSLIC. An interrupt is generated if the DC current exceeds the programmed ring trip threshold.

3.6 Signaling (Supervision)

Signaling in the subscriber loop is monitored internally by the DuSLIC chip set.

Supervision is performed by sensing the longitudinal and transversal line currents on the Ring and Tip wires. The scaled values of these currents are generated in the SLIC and fed to the SLICOFI-2x via the IT and IL pins.

Transversal line current: $I_{\text{TRANS}} = (I_{\text{R}} + I_{\text{T}})/2$

Longitudinal line current: $I_{\text{LONG}} = (I_{\text{R}} - I_{\text{T}})/2$

where I_{R} , I_{T} are the loop currents on the Ring and Tip wires.

Off-hook Detection

Loop start signaling is the most common type of signaling. The subscriber loop is closed by the hook switch inside the subscriber equipment.

- In Active mode, the resulting transversal loop current is sensed by the internal current sensor in the SLIC. The IT pin of the SLIC indicates the subscriber loop current to the SLICOFI-2x. External resistors (R_{IT1} , R_{IT2} , see [Figure 97](#), [Page 368](#)) convert the current information to a voltage on the ITA (or ITB) pin.

The analog information is first converted to a digital value. It is then filtered and processed further which effectively suppresses line disturbances. If the result exceeds a programmable threshold, an interrupt is generated to indicate off-hook detection.

Preliminary
Functional Description

- In Sleep/Power Down mode (PDRx) a similar mechanism is used. In this mode, the internal current sensor of the SLIC is switched off to minimize power consumption. The loop current is therefore fed and sensed through 5 kΩ resistors integrated in the SLIC (see [Figure 9](#), [Figure 10](#), [Figure 11](#)). The information is made available on the IT pin and interpreted by the *SLICOFI-2x*.
 - In Sleep mode, the analog information is fed to an analog comparator integrated in the *SLICOFI-2x* who directly indicates off-hook.
 - In Power Down mode, the *SLICOFI-2x* converts the analog information to a digital value. It is then filtered and processed further which effectively suppresses line disturbances. If the result exceeds a programmable threshold, an interrupt is generated to indicate off-hook detection.

In applications using ground start signaling, DuSLIC can be set in the ground start mode. In this mode, the Tip wire is switched to high impedance mode. Ring ground detection is performed by the internal current sensor in the SLIC and transferred to the *SLICOFI-2x* via the IT pin.

Ground Key Detection

The scaled longitudinal current information is transferred from the SLIC via the IL pin and the external resistor R_{IL} to *SLICOFI-2x*. This voltage is compared with a fixed threshold value. For the specified R_{IL} (1.6 kΩ, see application circuit [Figure 97](#), [Page 368](#)) this threshold corresponds to 17 mA (positive and negative). After further post-processing, this information generates an interrupt (GNDK bit in the INTREG1 register) and ground key detection is indicated.

The polarity of the longitudinal current is indicated by the GNKP bit in the INTREG1 register. Each change of the GNKP bit generates an interrupt. Both bits (GNDK, GNKP) can be masked in the MASK register.

The post-processing is performed to guarantee ground key detection, even if longitudinal AC currents with frequencies of $16^2/3$, 50 or 60 Hz are superimposed. The time delay between triggering the ground key function and registering the ground key interrupt will in most cases ($f = 50$ Hz, 60 Hz) be less than 40 ms.

For longitudinal DC signals, the blocking period can be programmed by the DUP value in register IOCTL3. DC signals with less duration will not be detected. The DUP time is equivalent to the half of the cycle time for the lowest frequency for AC suppression (for values see [Page 189](#)).

In Power Down mode, the SLIC's internal current sensors are switched off and ground key detection is disabled.

3.7 Metering

There are two different metering methods:

- Metering by sinusoidal bursts with either 12 or 16 kHz or
- Polarity reversal of Tip and Ring.

3.7.1 Metering by 12/16 kHz Sinusoidal Bursts

To satisfy worldwide application requirements, SLICOFI-2/-2S¹⁾ offers integrated metering injection of either 12 or 16 kHz signals with programmable amplitudes. SLICOFI-2/-2S also has an integrated adaptive TTX notch filter and can switch the TTX signal to the line in a smooth way. When switching the signal to the line, the switching noise is less than 1 mV. **Figure 29** shows TTX bursts at certain points of the signal flow within SLICOFI-2/-2S.

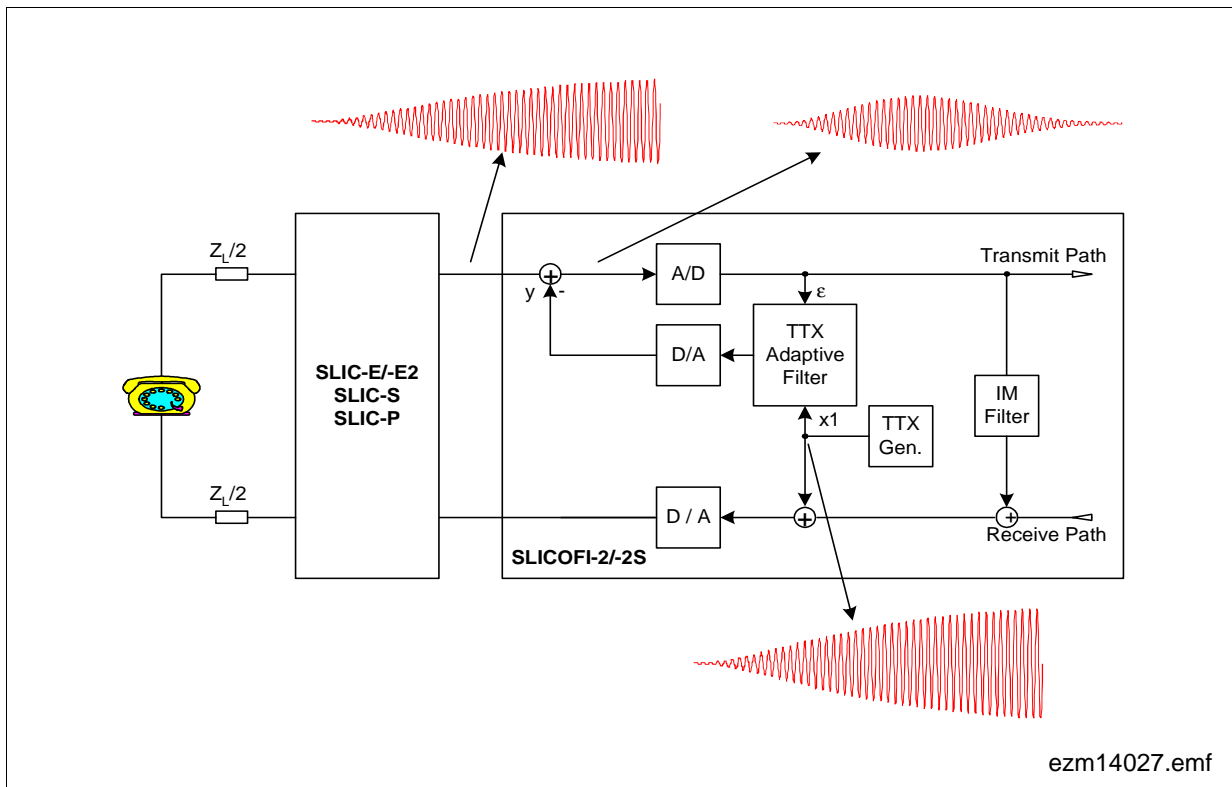


Figure 29 Teletax Injection and Metering

The integrated, adaptive TTX notch filter guarantees an attenuation of > 40 dB. No external components for filtering TTX bursts are required.

¹⁾ Metering is not available with SLICOFI-2S2

3.7.2 Metering by Polarity Reversal

SLICOFI-2/-2S also supports metering by polarity reversal by changing the actual polarity of the voltages on the TIP/RING lines. Polarity reversal is activated by switching the REVPOL bit in register BCR1 to one or switching to the “Active with Metering” mode by the CIDD or CIOP command (see [“Operating Modes for the DuSLIC Chip Set” on Page 78](#)).

3.7.2.1 Soft Reversal

Some applications require a smooth polarity reversal (soft reversal), as shown in [Figure 30](#). Soft reversal helps to prevent negative effects like non-required ringing. Soft reversal is deactivated by the SOFT-DIS bit in register BCR2.

- SOFT-DIS = 1 Immediate reversal is performed (hard reversal)
- SOFT-DIS = 0 Soft reversal is performed. Transition time (time from START to SR-END1, see [Figure 30](#)) is programmable by CRAM coefficients, default value 80 ms.

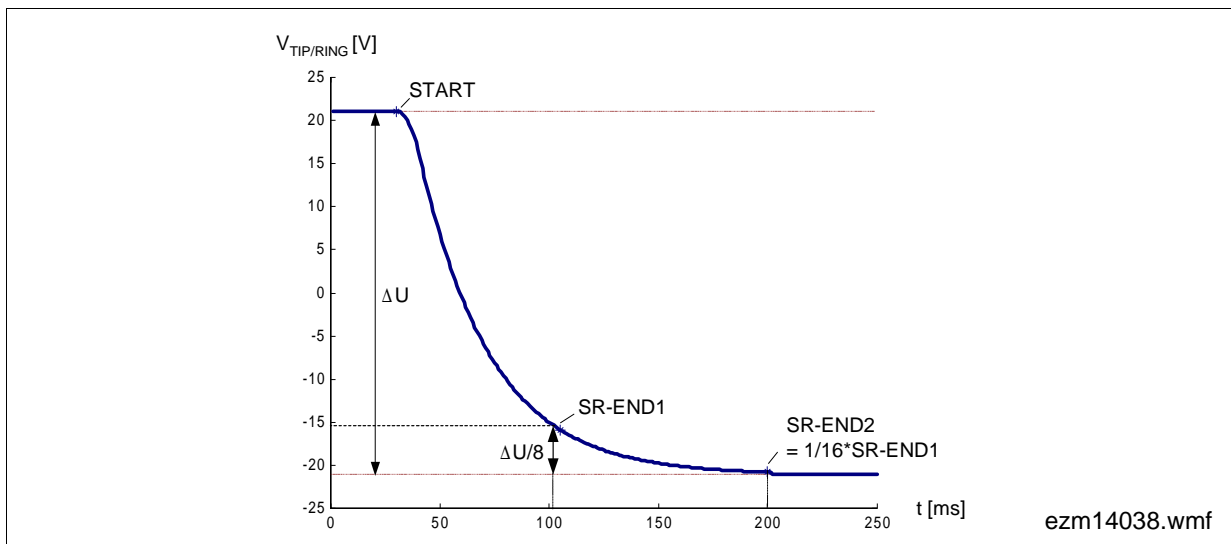


Figure 30 Soft Reversal (Example for Open Loop)

START: The soft ramp starts by setting the REVPOL bit in register BCR1 to 1. The DC characteristic is switched off.

SR-END1: At the soft reversal end one point, the DC characteristic is switched on again. Programmable by the DuSLICOS software, e.g. $\Delta U/8$.

SR-END2: At the soft reversal end two point, the soft ramp is switched off. Programmable by the DuSLICOS software, e.g. $1/16 \times SR-END1$.

From START to SR-END2 the READY bit in register INTREG2 is set to 0 (see register description in [Chapter 6.3.1.2](#) for further information).

3.8 DuSLIC Enhanced Signal Processing Capabilities

The signal processing capabilities described in this chapter are realized by an Enhanced Digital Signal Processor (EDSP) except for DTMF generation. Each function can be individually enabled or disabled for each DuSLIC channel. Therefore power consumption can be reduced according to the needs of the application. For the MIPS requirements of the different EDSP algorithms see [Chapter 3.8.5](#).

Figure 31 shows the AC signal path for DuSLIC with the ADCs and DACs, impedance matching loop, trans-hybrid filter, gain stages and the connection to the EDSP.

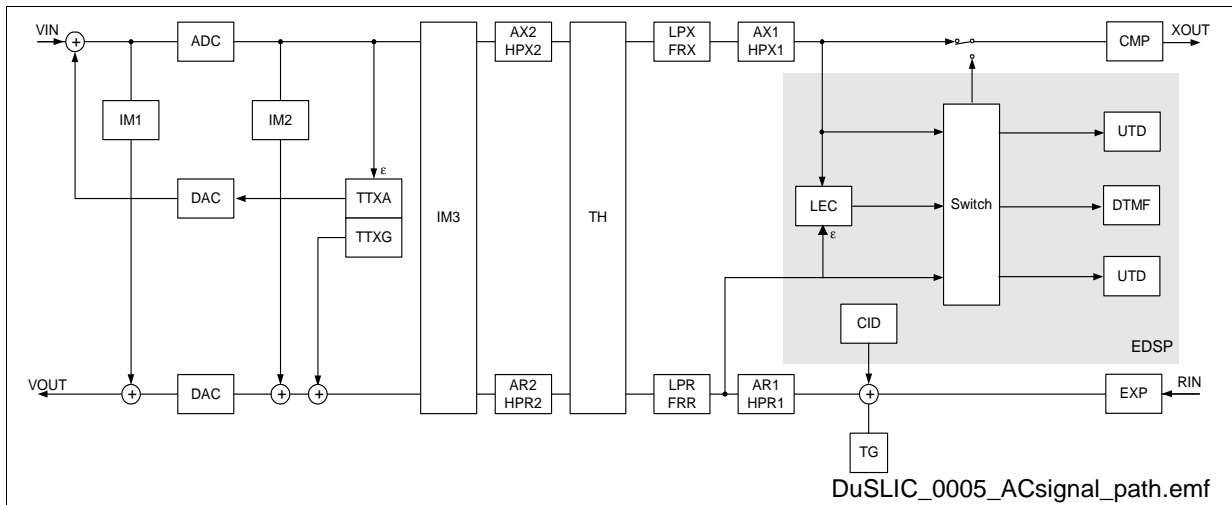


Figure 31 DuSLIC AC Signal Path

Figure 32 shows a closeup on the EDSP signal path shown in [Figure 31](#) outlining signal names and SOP commands.

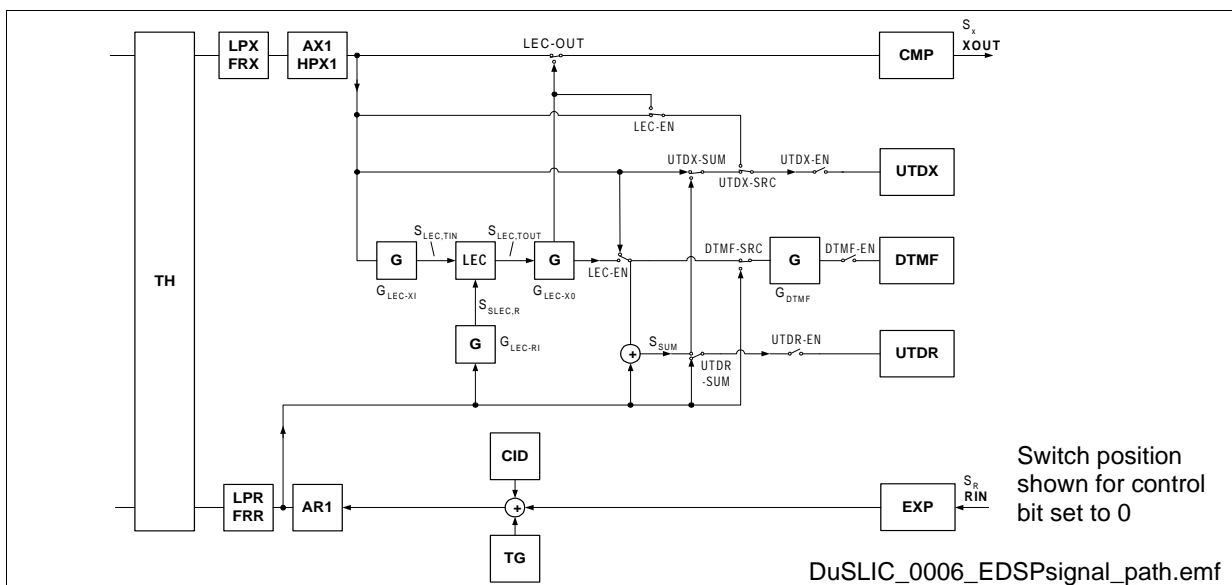


Figure 32 DuSLIC EDSP Signal Path

Preliminary

Functional Description

The enhanced Signal Processing Capabilities are available only for the DuSLIC-E/-E2/-P versions, with an exception of DTMF generation.

The DTMF generation is available for all DuSLIC versions.

The functions of the EDSP are configured and controlled by POP register settings (see [Chapter 6.2.3](#)).

3.8.1 DTMF Generation and Detection¹⁾

Dual Tone Multi-Frequency (DTMF) is a signaling scheme using voice frequency tones to signal dialing information. A DTMF signal is the sum of two tones, one from a low group (697 - 941 Hz) and one from a high group (1209 - 1633 Hz), with each group containing four individual tones. This scheme allows 16 unique combinations. Ten of these codes represent the numbers from zero through nine on the telephone keypad, the remaining six codes (*, #, A, B, C, D) are reserved for special signaling. The buttons are arranged in a matrix, with the rows determining the low group tones, and the columns determining the high group tone for each button.

In all *SLICOFI-2x* codec versions the 16 standard DTMF tone pairs can be generated independently in each channel via two integrated tone generators. Alternatively the frequency and the amplitude of the tone generators can be programmed individually via the digital interface. Each tone generator can be switched on and off. The generated DTMF tone signals meet the frequency variation tolerances specified in the ITU-T Q.23 recommendation.

Both channels (A and B) of *SLICOFI-2*¹⁾ have a powerful built-in DTMF decoder that will meet most national requirements. The receiver algorithm performance meets the quality criteria for central office/exchange applications. It complies with the requirements of ITU-T Q.24, Bellcore GR-30-CORE (TR-NWT-000506) and Deutsche Telekom network (BAPT 223 ZV 5, Approval Specification of the Federal Office for Post and Telecommunications, Germany).

The performance of the algorithm can be adapted according to the needs of the application via the digital interface (detection level, twist, bandwidth and center frequency of the notch filter).

¹⁾ DTMF Detection only available for DuSLIC-E/-E2/-P

Table 7 shows the performance characteristics of the DTMF decoder algorithm:

Table 7 Performance Characteristics of the DTMF Decoder Algorithm

	Characteristic	Value	Notes
1	Valid input signal detection level	- 48 to 0 dBm0	Programmable
2	Input signal rejection level	- 5 dB of valid signal detection level	-
3	Positive twist accept	< 8 dB	Programmable
4	Negative twist accept	< 8 dB	Programmable
5	Frequency deviation accept	< ± (1.5% + 4 Hz) and < ± 1.8%	Related to center frequency
6	Frequency deviation reject	> ± 3%	Related to center frequency
7	DTMF noise tolerance (could be the same as 14)	- 12 dB	dB referenced to lowest amplitude tone
8	Minimum tone accept duration	40 ms	-
9	Maximum tone reject duration	25 ms	-
10	Signaling velocity	≥ 93 ms/digit	-
11	Minimum inter-digit pause duration	40 ms	-
12	Maximum tone drop-out duration	20 ms	-
13	Interference rejection 30 Hz to 480 Hz for valid DTMF recognition	Level in frequency range 30 Hz ... 480 Hz ≤ level of DTMF frequency + 22 dB	dB referenced to lowest amplitude tone
14	Gaussian noise influence Signal level - 22 dBm0, SNR = 23 dB	Error rate better than 1 in 10000	-
15	Pulse noise influence Impulse noise tape 201 according to Bellcore TR-TSY-000762	Error rate better than 14 in 10000	measured with DTMF level - 22 dBm0 Impulse Noise - 10 dBm0 and - 12 dBm0

Preliminary

Functional Description

In the event of pauses < 20 ms:

- If the pause is followed by a tone pair with the same frequencies as before, this is interpreted as drop-out.
- If the pause is followed by a tone pair with different frequencies and if all other conditions are valid, this is interpreted as two different numbers.

DTMF decoders can be switched on or off individually to reduce power consumption. In normal operation, the decoder monitors the Tip and Ring wires via the ITAC pins (transmit path). Alternatively the decoder can be switched also in the receive path. On detecting a valid DTMF tone pair, SLICOFI-2 generates an interrupt via the appropriate INT pin and indicates a change of status. The DTMF code information is provided by a register which is read via the digital interface.

The DTMF decoder also has excellent speech-rejection capabilities and complies with Bellcore TR-TSY-000763. The algorithm has been fully tested with the speech sample sequences in the Series-1 Digit Simulation Test Tapes for DTMF decoders from Bellcore. The characteristics of DTMF detection can be controlled by POP registers 30h to 39h.

3.8.2 Caller ID Generation (only DuSLIC-E/-E2/-P)

A generator to send calling line identification (Caller ID, CID) is integrated in the DuSLIC chip set. Caller ID is a generic name for the service provided by telephone utilities that supply information like the telephone number or the name of the calling party to the called subscriber at the start of a call. In call waiting, the Caller ID service supplies information about a second incoming caller to a subscriber already busy with a phone call.

In typical Caller ID (CID) systems, the coded calling number information is sent from the central exchange to the called phone. This information can be shown on a display on the subscriber telephone set. In this case, the Caller ID information is usually displayed before the subscriber decides to answer the incoming call. If the line is connected to a computer, caller information can be used to search in databases and additional services can be offered.

There are two methods used for sending CID information depending on the application and country-specific requirements:

- Caller ID generation using DTMF signaling (see [Chapter 3.8.1](#))
- Caller ID generation using FSK

DuSLIC contains DTMF generation units and FSK generation units which can be used for both channels simultaneously.

The characteristics of the Caller ID generation circuitry can be controlled by POP registers 00h, 43h to 4Ah.

DuSLIC FSK Generation

Different countries use different standards to send Caller ID information. The DuSLIC chip set is compatible with the widely used standards Bellcore GR-30-CORE, British Telecom (BT) SIN227, SIN242 or the UK Cable Communications Association (CCA) specification TW/P&E/312. Continuous phase binary frequency shift keying (FSK) modulation is used for coding which is compatible with BELL 202 (see [Table 8](#)) and ITU-T V.23, the most common standards. SLICOFI-2 can be easily adapted to these requirements by programming via the microcontroller interface. Coefficient sets are provided for the most common standards.

Table 8 FSK Modulation Characteristics

Characteristic	ITU-T V.23	Bell 202
Mark (Logic 1)	1300 ± 3 Hz	1200 ± 3 Hz
Space (Logic 0)	2100 ± 3 Hz	2200 ± 3 Hz
Modulation	FSK	
Transmission rate	1200 ± 6 baud	
Data format	Serial binary asynchronous	

The Caller ID data of the calling party can be transferred via the microcontroller interface into a SLICOFI-2 buffer register. The SLICOFI-2 will start sending the FSK signal when the CIS-EN bit is set and the CID-data buffer is filled up to CIS-BRS plus 1 byte. The data transfer into the buffer register is handled by a SLICOFI-2 interrupt signal. Caller data is transferred from the buffer via the interface pins to the SLIC-E/-E2/-P and fed to the Tip and Ring wires. The Caller ID data bytes from CID-data buffer are sent LSB first.

DuSLIC offers two different levels of framing:

- A basic low-level framing mode

All the data necessary to implement the FSK data stream – including channel seizure, mark sequence and framing for the data packet or checksum – has to be configured by firmware. SLICOFI-2 transmits the data stream in the same order in which the data is written to the buffer register.
- A high level framing mode

The number of channel seizure and mark bits can be programmed and are automatically sent by the DuSLIC. Only the data packet information has to be written into the CID buffer. Start and Stop bits are automatically inserted by the SLICOFI-2.

The example below shows signaling of CID on-hook data transmission in accordance with Bellcore specifications. The Caller ID information applied on Tip and Ring is sent during the period between the first and second ring burst.

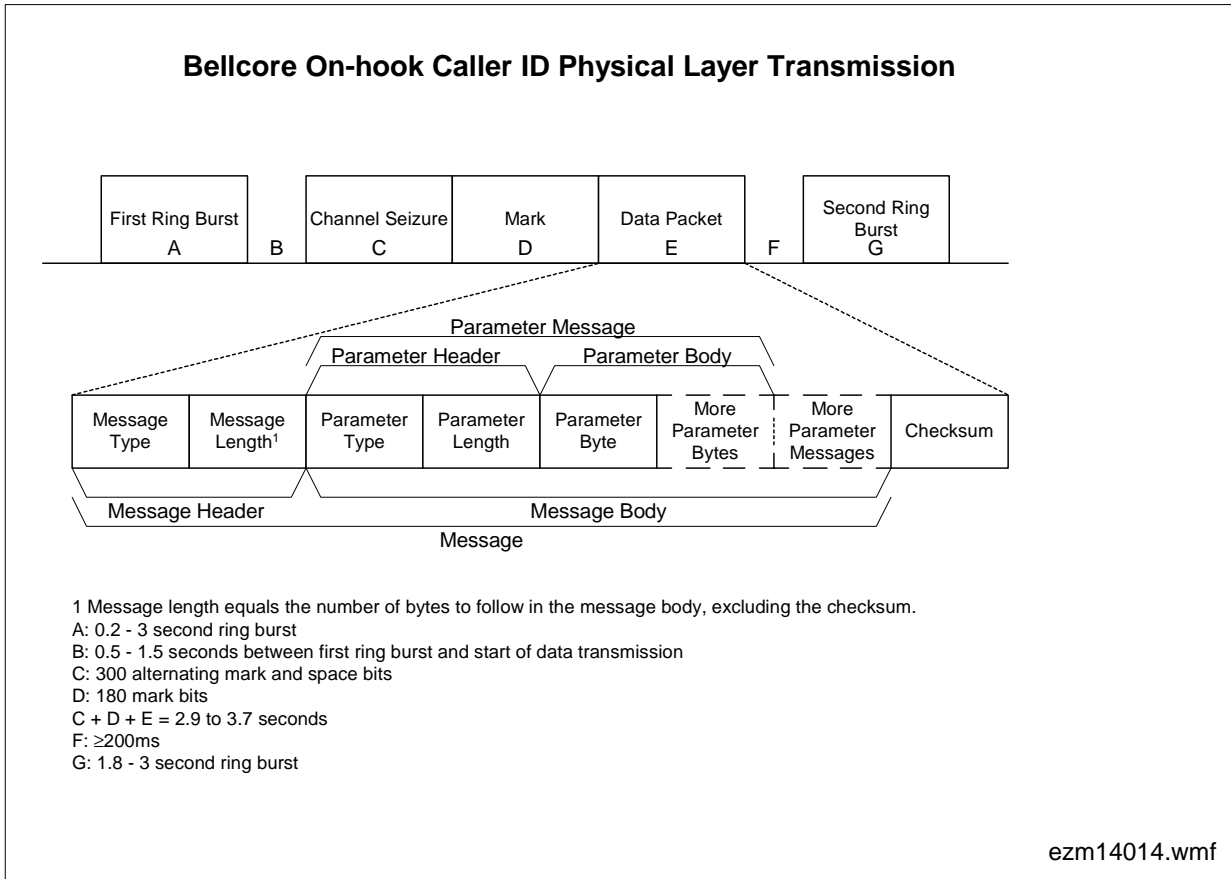


Figure 33 Bellcore On-hook Caller ID Physical Layer Transmission

3.8.3 Line Echo Cancelling (LEC) (only DuSLIC-E/-E2/-P)

The DuSLIC contains an adaptive line echo cancellation unit for the cancellation of near end echoes. With the adaptive balancing of the LEC unit the Transhybrid Loss can be improved up to a value of about 50 dB. The maximum echo cancellation time selectable is 8 ms. The line echo cancellation unit is especially useful in combination with the DTMF detection unit. In critical situations the performance of the DTMF detection can be improved.

If 8 ms line echo cancellation length (LEC Length) is used, please take care about the MIPS requirements described in [Chapter 3.8.5](#).

The DuSLIC line echo canceller is compatible with applicable standards ITU-T G.165 and G.168. An echo cancellation delay time of up to 8 ms can be programmed.

The LEC unit consists basically of an FIR filter, a shadow FIR filter, and a coefficient adaption mechanism between these two filters as shown in [Figure 34](#).

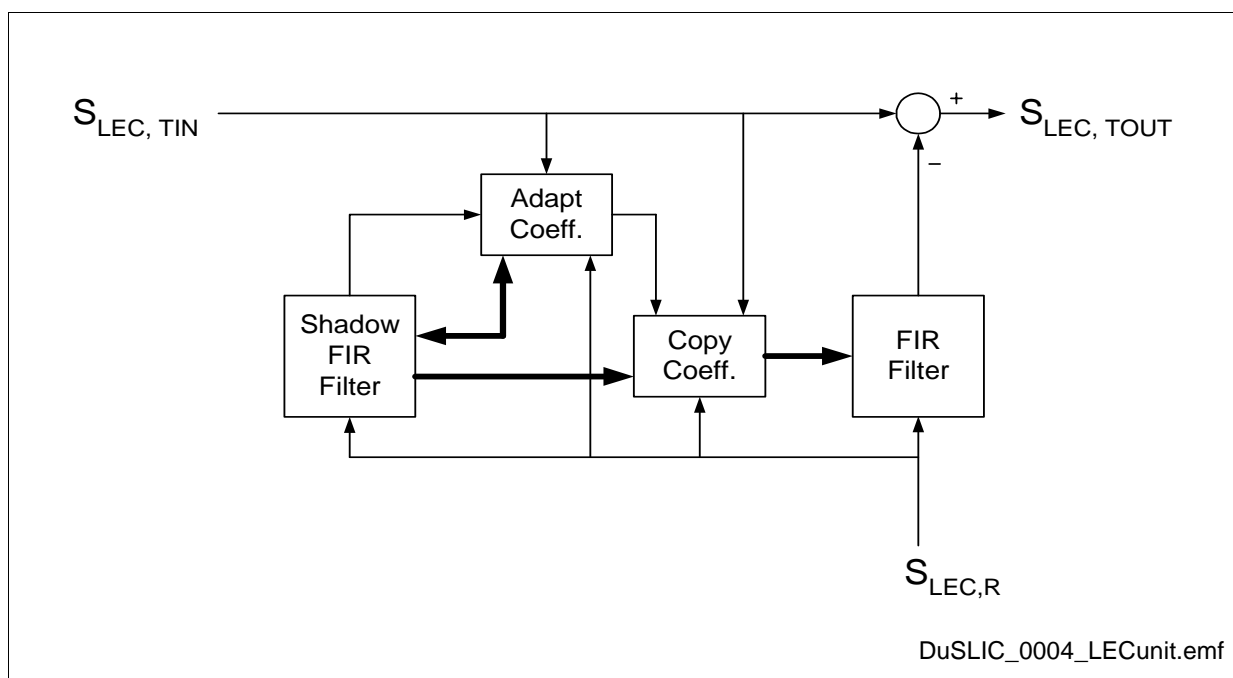


Figure 34 Line Echo Cancelling Unit - Block Diagram

The adaption process is controlled by the three parameters Pow_{LECR} (Power Detection Level Receive), ΔP_{LEC} (Delta Power) and ΔQ (Delta Quality) ("**POP Command**" [on Page 228](#)). Adaptation takes place only if both of the following conditions hold:

1. $S_{LEC,R} > Pow_{LECR}$
2. $S_{LEC,R} - S_{LEC,TIN} > \Delta P_{LEC}$

With the first condition, adaptation to small signals can be avoided. The second condition avoids adaptation during double talk. The parameter ΔP_{LEC} represents the echo loss provided by external circuitry.

Preliminary

Functional Description

If the adaptation of the shadow filter is performed better than the adaption of the actual filter by a value of more than DeltaQ then the shadow filter coefficients will be copied to the actual filter.

At the start of an adaption process the coefficients of the LEC unit can be reset to default initial values or set to the old coefficient values. The coefficients may also be frozen.

3.8.4 Universal Tone Detection (UTD) (only DuSLIC-E/-E2/-P)

Each channel of the DuSLIC has two Universal Tone Detection units which can be used to detect special tones in the receive and transmit paths, especially fax or modem tones (e.g., see the modem startup sequence described in recommendation ITU-T V.8).

This allows the use of modem-optimized filter for V.34 and V.90 connections. If the DuSLIC UTD detects that a modem connection is about to be established, the optimized filter coefficients for the modem connection can be downloaded before the modem connection is set up. With this mechanism implemented in the DuSLIC chip set, the optimum modem transmission rate can always be achieved.

Figure 35 shows the functional block diagram of the UTD unit:

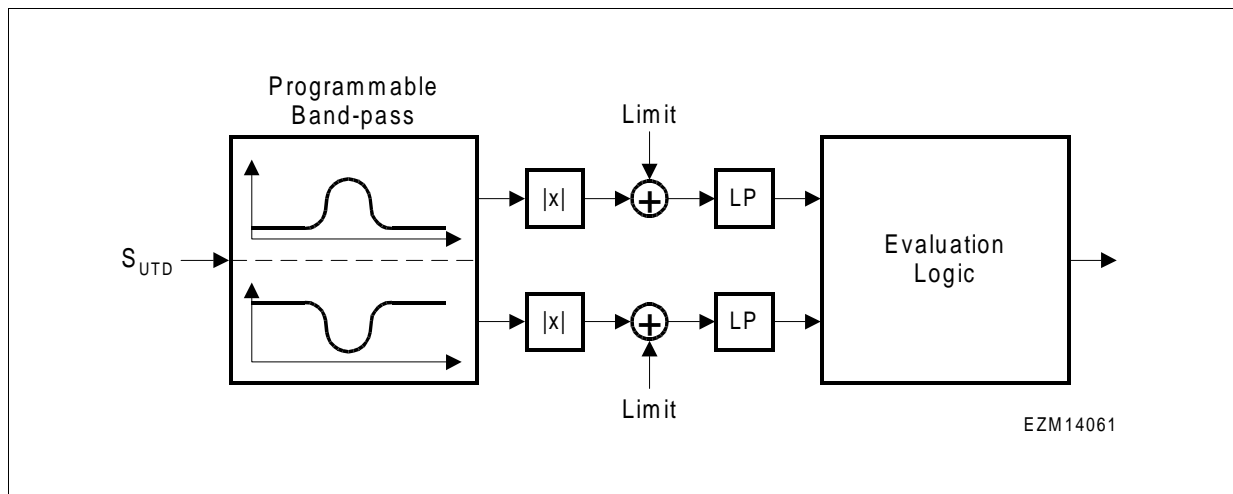


Figure 35 UTD Functional Block Diagram

Initially, the input signal is filtered by a programmable band-pass (center frequency f_C and bandwidth f_{BW}). Both the in-band signal (upper path) and the out-of-band signal (lower path) are determined, and the absolute value is calculated. Both signals are furthermore filtered by a limiter and a low-pass. All signal samples (absolute values) below a programmable limit Lev_N (Noise Level) are set to zero and all other signal samples are diminished by Lev_N . The purpose of this limiter is to increase noise robustness. After the limiter stages both signals are filtered by a fixed low-pass.

The evaluation logic block determines whether a tone interval or silence interval is detected and an interrupt is generated for the receive or transmit path.

Preliminary

Functional Description

The UTDR-OK respectively UTDX-OK bit (register INTREG3) will be set if both of the following conditions hold for a time span of at least RTIME without breaks longer than RBRKTime occurring:

1. The in-band signal exceeds a programmable level Lev_S .
2. The difference of the in-band and the out-of-band signal levels exceeds Δ_{UTD} .

The UTDR-OK respectively UTDX-OK bit will be reset if at least one of these conditions is violated for a timespan of at least ETime during which the violation does not cease for at least EBRKTime.

The times ETIME and EBRKTime help to reduce the effects of sporadic dropouts.

If the bandwidth parameter is programmed to a negative value, the UTD unit can be used for the detection of silence intervals in the whole frequency range.

The DuSLIC UTD unit is compatible with ITU-T G.164.

The UTD is resistant to a modulation with 15 Hz sinusoidal signals and a phase reversal but is not able to detect the 15 Hz modulation and the phase reversal.

3.8.5 MIPS Requirements for EDSP Capabilities

Table 9 shows the MIPS requirements for each algorithm using the EDSP:

Table 9 MIPS Requirements

Algorithm / Device	Used MIPS	Conditions
Caller ID Sender (CIS)	$1.736 \cdot n_{CIS}$	$n_{CIS} = 0 \dots 2$
Universal Tone Detection (UTD)	$1.208 \cdot n_{UTD}$	$n_{UTD} = 0 \dots 4$, transmit and receive for two channels
DTMF Receiver	$6.296 \cdot n_{DTMF}$	$n_{DTMF} = 0 \dots 2$
Line Echo Canceller (LEC)	$(3.448 + 0.032 \cdot LEN) \cdot n_{LEC}$	$n_{LEC} = 0 \dots 2$ LEN - see Page 239
Operating System	1.432	–

The maximum capability of the EDSP is 32 MIPS.

Example:

- All devices enabled and LEC Length = 8 ms (LEN = 64):
→ 33.32 MIPS total computing load exceeding the 32 MIPS limit!
- All devices enabled and LEC Length = 4 ms (LEN = 32):
→ 31.272 MIPS total computing load within the 32 MIPS limit.
- 4 x UTD, 2 x DTMF Receiver and 2 x LEC (8 ms) enabled:
→ 29.85 MIPS total computing load within the 32 MIPS limit.

3.9 Message Waiting Indication (only DuSLIC-E/-E2/-P)

Message Waiting Indication (MWI) is usually performed using a glow lamp at the subscriber phone. Current does not flow through a glow lamp until the voltage reaches a threshold value above approximately 80 V. At this threshold, the neon gas in the lamp will start to glow. When the voltage is reduced, the current falls under a certain threshold and the lamp glow is extinguished. DuSLIC has high-voltage SLIC technology (170 V) which is able to activate the glow lamp without any external components.

The hardware circuitry is shown in **Figure 36** below. The figure shows a typical telephone circuit with the hook switch in the on-hook mode, together with the impedances for the on-hook (Z_R) and off-hook (Z_L) modes.

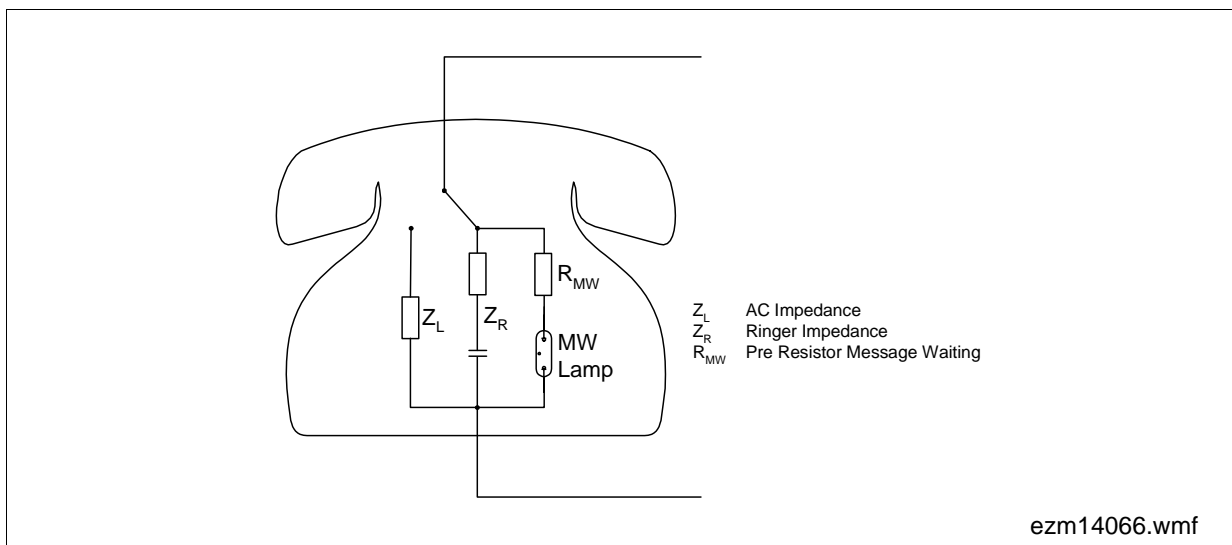


Figure 36 MWI Circuitry with Glow Lamp

The glow lamp circuit also requires a resistor (R_{MW}) and a lamp (MW Lamp) built into the phone. When activated, the lamp must be able to either blink or remain on constantly.

In non-DuSLIC solutions the telephone ringer may respond briefly if the signal slope is too steep, which is not desirable. DuSLIC's integrated ramp generator can be programmed to increase the voltage slowly, to ensure activating the lamp and not the ringer.

Preliminary

Functional Description

To activate the Message Waiting function of DuSLIC the following steps should be performed:

- Activating Ring Pause mode by setting the M0-M2 bits
- Select Ring Offset RO2 by setting the bits in register LMCR3
- Enable the ramp generator by setting bit RAMP-EN in register LMCR2
- Switching between the Ring Offsets RO3 and RO2 in register LMCR3 will flash the lamp on and off (see [Figure 37](#)).

The values for RO2 and RO3 have to be programmed in the CRAM to the according values before so that the lamp will flash on and off.

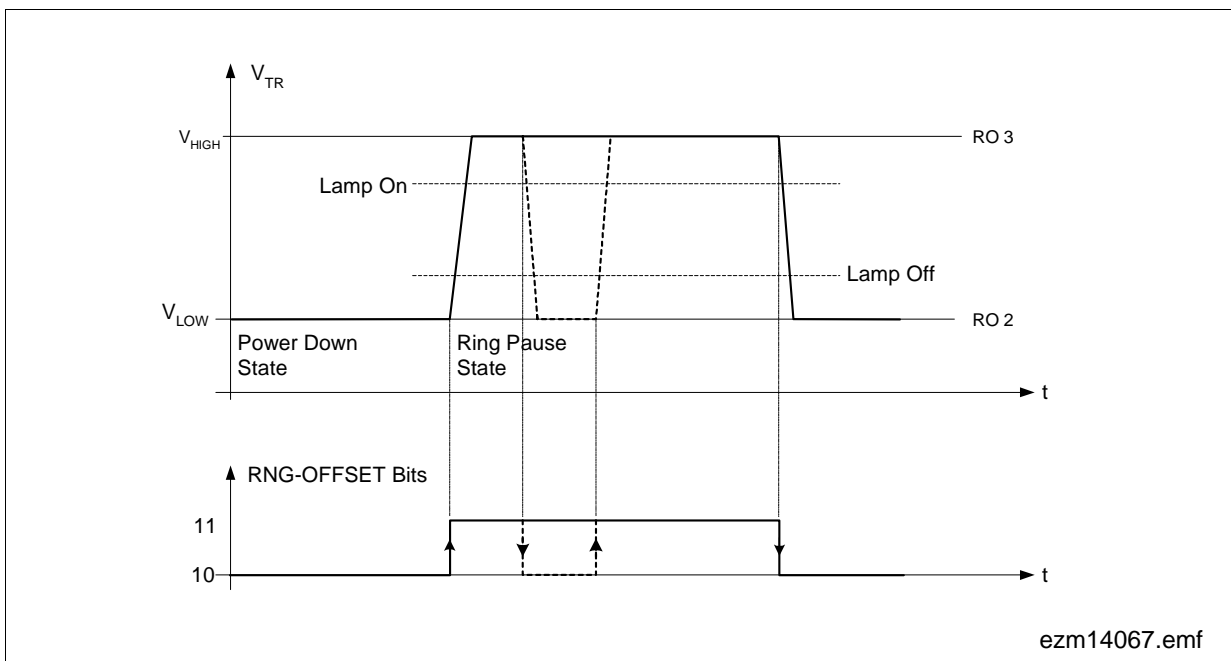


Figure 37 Timing Diagram

3.10 Three-party Conferencing (only DuSLIC-E/-E2/-P)

Each DuSLIC channel has a three-party conferencing facility implemented which consist of four PCM registers, adders and gain stages in the microprogram and the corresponding control registers (see [Figure 38](#)).

This facility is available in PCM/ μ C mode only. The PCM control registers PCMR1 through PCMR4 and PCMX1 through PCMX4 control the timeslot assignment and PCM highway selection, while the bits PCMX-EN, CONF-EN and CONF-X-EN in the BCR3 register control the behavior of the conferencing facility and the PCM line drivers (see [Figure 38](#)). A programmable gain stage G is able to adjust the gain of the conferencing voice data (B, C, D, S) in a range of - 6 dB to + 3 dB to prevent an overload of the sum signals.

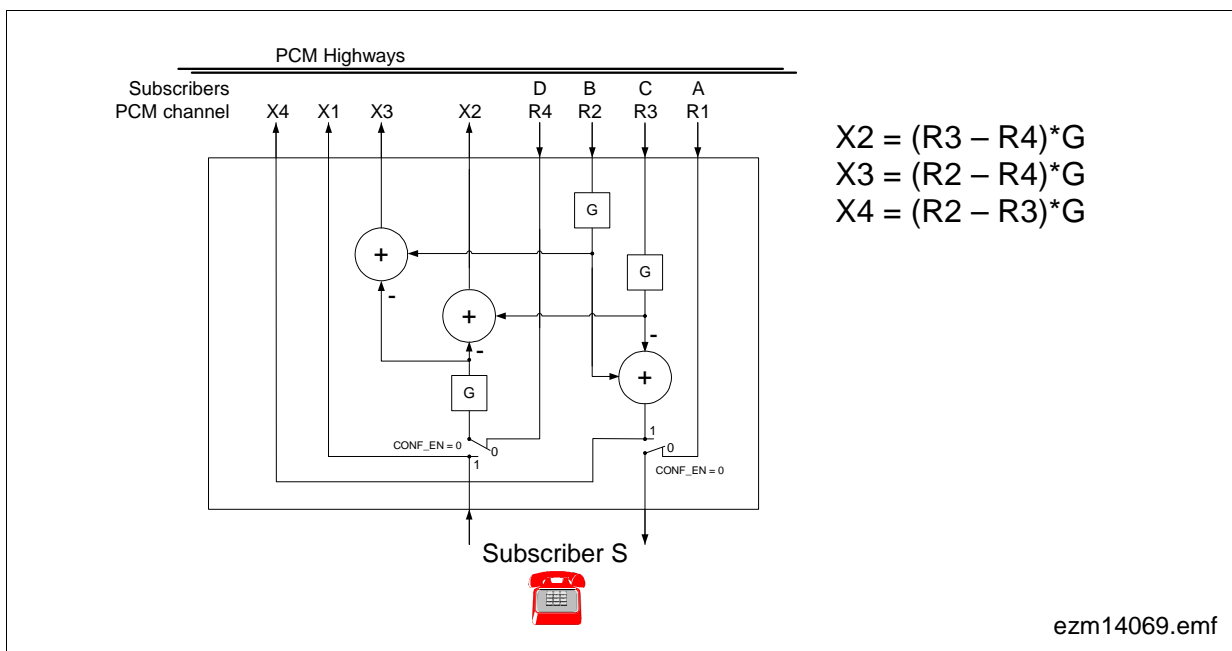


Figure 38 Conference Block for One DuSLIC Channel

Note: G ... Gain Stage (Gain Factor) set in CRAM coefficients,

X1 - X4 ... PCM transmit channels,

R1 - R4 ... PCM receive channels,

A, B, C, D, S ... examples for voice data on PCM channels X1 - X4, R1 - R4

3.10.1 Conferencing Modes

Table 10 Conference Modes

Mode	Configuration Registers			Receive Channels				Transmit Channels				Subscriber S
	PCMX-EN	CONF-EN	CONFX-EN	R1	R2	R3	R4	X1	X2	X3	X4	
PCM Off	0	0	0	–	–	–	–	off	off	off	off	off
PCM Active	1	0	0	A	–	–	–	S	off	off	off	A
External Conference	0	0	1	–	B	C	D	off	G (C+D)	G (B+D)	G (B+C)	off
External Conference + PCM Active	1	0	1	A	B	C	D	S	G (C+D)	G (B+D)	G (B+C)	A
Internal Conference	0	1	0	–	B	C	–	off	G (C+S)	G (B+S)	off	G (B+C)

(see also [“Control of the Active PCM Channels” on Page 142](#))

- PCM Off**

After a reset, or in power down there is no communication via the PCM highways. Also when selecting new timeslots it is recommended to switch off the PCM line drivers by setting the control bits to zero.
- PCM Active**

This is the normal operating mode without conferencing. Only the channels R1 and X1 are in use, and voice data are transferred from subscriber A to analog subscriber S and vice versa.
- External Conference**

In this mode the SLICOFI-2 acts as a server for a three-party conference of subscribers B, C and D which may be controlled by any device connected to the PCM highways. The SLICOFI-2 channel itself can remain in power down mode to lower power consumption.
- External Conference + PCM Active**

Like in External Conference mode any external three-party conference is supported. At the same time an internal phone call is active using the channels R1 and X1.
- Internal Conference**

If the analog subscriber S is one of the conference partners, the internal conference mode will be selected. The partners (B, C) do not need any conference facility, since the SLICOFI-2 performs all required functions for them as well.

3.11 16 kHz Mode on PCM Highway

In addition to the standard 8 kHz transmission PCM interface modes, there are also two 16 kHz modes for high data transmission performance.

Table 11 shows the configuration of PCM channels for the different PCM interface modes.

Table 11 Possible Modes in PCM/μC Interface Mode¹⁾

Config. Bits		Receive PCM Channels					Transmit PCM Channels				
PCM16K	LIN	R1	R1L ²⁾	R2	R3	R4	X1	X1L ³⁾	X2	X3	X4
PCM Mode											
0	0	A	⁴⁾	B	C	D	S	–	depends on conference mode		
LIN Mode											
0	1	A-HB	A-LB	B	C	D	S-HB	S-LB	depends on conference mode		
PCM16 Mode											
1	0	DS1	–	–	DS2	–	DS1	–	–	DS2	–
LIN16 Mode											
1	1	DS1-HB	–	DS1-LB	DS2-HB	DS2-LB	DS1-HB	–	DS1-LB	DS2-HB	DS2-LB

1) see [“Control of the Active PCM Channels” on Page 142](#)

2) Time slot R1 + 1

3) Time slot X1 + 1

4) Empty cells in the table mark unused data in the PCM receive channels and switched-off line drivers in the PCM transmit channels

The configuration bits PCM16K and LIN (in the BCR3 register) are used to select the following PCM interface modes:

- **PCM Mode**

Normal mode used for voice transmission via channels R1 and X1 (receive and transmit). The PCM input channels R2, R3 and R4 are always available for use in different conference configurations. The status of the PCM output channels depends on the conference mode configuration.

Preliminary**Functional Description**

- **LIN Mode**

Similar to the PCM mode, but for 16 bit linear data at 8 kHz sample rate via the PCM channels R1, R1L (receive) and X1, X1L (transmit).

- **PCM16 Mode**

Mode for higher data transmission rate of PCM encoded data using a 16 kHz sample rate (only in PCM/ μ C Interface mode with the PCMX-EN bit in the BCR3 register set to one). In this mode the channels R1, R3 (X1, X3) are used to receive (transmit) two samples of data (DS1, DS2) in each 8 kHz frame.

- **LIN16 Mode**

Like the PCM16 mode for 16 kHz sample rate but for linear data. Channels R1 to R4 (X1 to X4) are used for receiving (transmitting) the high and low bytes of the two linear data samples DS1 and DS2.

4 Operational Description

4.1 Operating Modes for the DuSLIC Chip Set

Table 12 Overview of DuSLIC Operating Modes

SLICOFI-2x Mode	SLIC Type			CIDD/CIOP ¹⁾			Additional Bits used (Note ²⁾)
	SLIC-S/ SLIC-S2	SLIC-E/ SLIC-E2	SLIC-P	M2	M1	M0	
Sleep (SL)	–	PDRH	PDRH	1	1	1	SLEEP-EN = 1
			PDRR	1	1	1	SLEEP-EN = 1, ACTR = 1
Power Down Resistive (PDR)	PDRH	PDRH	PDRH	1	1	1	SLEEP-EN = 0
			PDRR	1	1	1	SLEEP-EN = 0, ACTR = 1
Power Down High Impedance (PDH)	PDH	PDH	PDH	0	0	0	–
Active High (ACTH)	ACTH	ACTH	ACTH	0	1	0	–
Active Low (ACTL)	ACTL	ACTL	ACTL	0	1	0	ACTL = 1
Active Ring (ACTR)	ACTR	ACTR	ACTR	0	1	0	ACTR = 1
Ringing (Ring)	ACTR ³⁾	ACTR	ACTR	1	0	1	–
	–	–	ROT	1	0	1	HIT = 1
	–	–	ROR	1	0	1	HIR = 1
Active with HIT	HIT	HIT		0	1	0	HIT = 1
			HIT	0	1	0	HIT = 1, ACTR = 0
Active with HIR	HIR	HIR		0	1	0	HIR = 0
			HIR	0	1	0	HIR = 0, ACTR = 0
Active with Ring to Ground			ROT	0	1	0	HIT = 1, ACTR = 1
Active with Tip to Ground			ROR	0	1	0	HIR = 1, ACTR = 1
HIRT	–	HIRT	HIRT	0	1	0	HIR = 1, HIT = 1
Active with Metering	ACTx ³⁾ 4)	ACTx ⁴⁾	ACTx ⁴⁾	1	1	0	TTX-DIS to select Reverse Polarity or TTX Metering

Table 12 Overview of DuSLIC Operating Modes (cont'd)

SLICOFI-2x Mode	SLIC Type			CIDD/CIOP ¹⁾			Additional Bits used (Note ²⁾)
	SLIC-S/ SLIC-S2	SLIC-E/ SLIC-E2	SLIC-P	M2	M1	M0	
Ground Start	HIT	HIT		1	0	0	–
			HIT	1	0	0	ACTR = 0
Ring Pause	ACTR ³⁾	ACTR	ACTR ROR ROT	0	0	1	HIR = 1 HIT = 1

- 1) CIDD = Data Downstream Command/Indication Channel Byte (IOM-2 interface)
CIOP = Command/Indication Operation
For further information see [“SLICOFI-2x Command Structure and Programming” on Page 163](#).
- 2) if not otherwise stated in the table, the bits ACTL, ACTR, HIT, HIR have to be set to 0.
- 3) only for SLIC-S
- 4) ACTx means ACTH, ACTL or ACTR.

Sleep (SL) (only available with DuSLIC-E/-E2/-P)

The SLICOFI-2 is able to go into a sleep mode with minimal power dissipation. In this mode off-hook detection is performed without any checks on spikes or glitches. The sleep mode can be used for either channel, but for the most effective power saving, both channels should be set to this mode. Note that this requires the following:

- Due to the lack of persistence checking only non-noisy lines should use this feature.
- If both channels are set to the sleep mode, waking up takes about 1.25 ms, since the on-chip PLL is also switched off. Therefore it is also possible to switch off all external clocks. In this time no programming or other functionality is available. The off-hook event is indicated either by setting the interrupt pin to active mode if the PCM/μC interface mode is selected or by pulling down the DU pin if IOM-2 interface is used.
- If only one channel is set to sleep mode, persistence checking and off-hook indication is performed as in any other mode, but the off-hook level is fixed to 2 mA at the subscriber line. No special wake-up is needed if only one channel is in sleep mode. A simple mode change ends the sleep mode.
- A sleeping SLICOFI-2 is woken up if the \overline{CS} pin is drawn to low level when the PCM/μC interface is used or the MX bit is set to zero when the IOM-2 interface is used. Note that no programming is possible until the SLICOFI-2 wakes up. In IOM-2 mode the identification request can be used as a wake-up signal since this command is independent of the internal clock. In the PCM/μC mode it is recommended to set the \overline{CS} to 0 for only one clock cycle.
- After a wake up from Sleep mode the SLICOFI-2 enters the PDRH or PDRR mode. To re-enter the Sleep mode it is necessary to perform a mode change to any Active mode at least at one channel first.

Preliminary**Operational Description****Power Down Resistive (PDRH for SLIC-E/-E2/-S/-S2 and PDRR for SLIC-P)**

The Power Down Resistive mode is the standard mode for none-active lines. Off-hook is detected by a current value fed to the DSP, compared with a programmable threshold, and filtered by a data upstream persistence checker. The power management SLIC-P can be switched to a Power Down Resistive High or a Power Down Resistive Ring mode.

HIRT

The line drivers in the SLIC-E/-E2/-P are shut down and no resistors are switched to the line. Off-hook detection is not possible. In HIRT mode the SLICOFI-2 is able to measure the input offset of the current sensors.

Power Down High Impedance (PDH)

In Power Down High Impedance mode, the SLIC is totally powered down. No off-hook sensing can be performed. This mode can be used for emergency shutdown of a line.

Active High (ACTH)

A regular call can be performed, voice and metering pulses can be transferred via the telephone line and the DC loop is operational in the Active High mode.

Active Low (ACTL)

The Active Low mode is similar to the Active High mode. The only difference is that the SLIC uses a lower battery voltage, V_{BATL} (bit ACTL = 1).

Active Ring (ACTR)

The Active Ring mode is different for the SLIC-E/-E2 and the SLIC-P. The SLIC-E/-E2 uses the additional positive voltage V_{HR} for extended feeding and the SLIC-P will switch to the negative battery voltage V_{BATR} .

Ringling

If the *SLICOFI-2x* is switched to Ringling mode, the SLIC is switched to ACTR mode.

With the SLIC-P connected to the *SLICOFI-2*, the Ring on Ring (ROR) mode allows unbalanced internal ringling on the Ring wire. The Tip wire is set to battery ground. The Ring signal will be superimposed by $V_{BATR}/2$.

The Ring on Tip (ROT) mode is the equivalent to the ROR mode.

Active with HIT

This is a testing mode where the Tip wire is set to a high impedance mode. It is used for special line testing. It is only available in an active mode of the *SLICOFI-2x* to enable all necessary test features.

Preliminary**Operational Description****Active with HIR**

HIR is similar to HIT but with the Ring wire set to high impedance.

Active with Metering

Any available active mode can be used for metering either with Reverse Polarity or with TTX Signals.

Ground Start

The Tip wire is set to high impedance in Ground Start mode. Any current drawn on the Ring wire leads to a signal on IT, indicating off-hook.

Ring Pause

The Ring burst is switched off in Ring Pause, but the SLIC remains in the specified mode and the off-hook recognition behaves like in ringing mode (Ring Trip).

4.2 Operating Modes for the DuSLIC-S/-S2 Chip Set
Table 13 DuSLIC-S/-S2 Operating Modes

SLICOFI-2S / SLICOFI-2S2 Mode	SLIC-S / SLIC-S2 Mode	SLIC-S/-S2 Internal Supply Voltages (+/-) [V_{HI}/V_{BI}]	System Functionality	Active Circuits	Tip/Ring Output Voltage
PDH	PDH	Open/ V_{BATH}	None	None	High Impedance
Power Down Resistive	PDRH	Open/ V_{BATH}	Off-hook detect as in active mode (DSP)	Off-hook, DC transmit path	V_{BGND}/V_{BATH} (via 5 k Ω)
–	PDRHL ¹⁾	Open/ V_{BATH}	Off-hook detect as in active mode (DSP)	Off-hook, DC transmit path	V_{BGND}/V_{BATH} (via 5 k Ω)
Active Low (ACTL)	ACTL	V_{BGND}/V_{BATL}	Voice and/or TTX transmission	Buffer, Sensor, DC + AC loop, TTX generator (optional)	Tip: $(V_{BATL} + V_{AC} + V_{DC})/2$ Ring: $(V_{BATL} - V_{AC} - V_{DC})/2$
Active High (ACTH)	ACTH	V_{BGND}/V_{BATH}	Voice and/or TTX transmission	Buffer, Sensor, DC + AC loop, TTX generator (optional)	Tip: $(V_{BATH} + V_{AC} + V_{DC})/2$ Ring: $(V_{BATH} - V_{AC} - V_{DC})/2$
Active Ring (ACTR)	ACTR	V_{HR}/V_{BATH}	Voice and/or TTX transmission	Buffer, Sensor, DC + AC loop, TTX-generator (optional)	Tip: $(+ V_{BATH} + V_{HR} + V_{AC} + V_{DC})/2$ Ring: $(+ V_{BATH} + V_{HR} - V_{AC} - V_{DC})/2$
Ringing (Ring)	ACTR	V_{HR}/V_{BATH}	Balanced ring signal feed (incl. DC offset)	Buffer, Sensor, DC loop, Ring generator	Tip: $(V_{BATH} + V_{HR} + V_{DC})/2$ Ring: $(V_{BATH} + V_{HR} - V_{DC})/2$

Preliminary
Operational Description
Table 13 DuSLIC-S/-S2 Operating Modes (cont'd)

SLICOFI-2S / SLICOFI-2S2 Mode	SLIC-S / SLIC-S2 Mode	SLIC-S/-S2 Internal Supply Voltages (+/-) [V_{HI}/V_{BI}]	System Functionality	Active Circuits	Tip/Ring Output Voltage
Ring Pause	ACTR	V_{HR}/V_{BATH}	DC offset feed	Buffer, Sensor, DC loop, Ramp generator	Tip: $(V_{BATH} + V_{HR} + V_{DC})/2$ Ring: $(V_{BATH} + V_{HR} - V_{DC})/2$
Active with HIR	HIR	V_{HR}/V_{BATH}	E.g. line test (Tip)	Tip Buffer, Sensor, DC + AC loop	Tip: $(V_{BATH} + V_{HR} + V_{AC} + V_{DC})/2$ Ring: High impedance
Active with HIT	HIT	V_{HR}/V_{BATH}	E.g. line test (Ring)	Ring Buffer, Sensor, DC + AC loop	Ring: $(V_{BATH} + V_{HR} - V_{AC} - V_{DC})/2$ Tip: High impedance

¹⁾ load ext. C for switching from PDRH to ACTH in on-hook mode

V_{AC} ... Tip/Ring AC Voltage

V_{DC} ... Tip/Ring DC Voltage

4.3 Operating Modes for the DuSLIC-E/-E2 Chip Set
Table 14 DuSLIC-E/-E2 Operating Modes

SLICOFI-2 Mode	SLIC-E / SLIC-E2 Mode	SLIC-E/-E2 Internal Supply Voltages (+/-) [V_{HI}/V_{BI}]	System Functionality	Active Circuits	Tip/Ring Output Voltage
PDH	PDH	Open/ V_{BATH}	None	None	High Impedance
Sleep	PDRH	Open/ V_{BATH}	Off-hook detect via off-hook comparator	Off-hook, Analog comparator	V_{BGND}/V_{BATH} (via 5 k Ω)
Power Down Resistive	PDRH	Open/ V_{BATH}	Off-hook detect as in active mode (DSP)	Off-hook, DC transmit path	V_{BGND}/V_{BATH} (via 5 k Ω)
–	PDRHL ¹⁾	Open/ V_{BATH}	Off-hook detect as in active mode (DSP)	Off-hook, DC transmit path	V_{BGND}/V_{BATH} (via 5 k Ω)
Active Low (ACTL)	ACTL	V_{BGND}/V_{BATL}	Voice and/or TTX transmission	Buffer, Sensor, DC + AC loop, TTX generator (optional)	Tip: $(V_{BATL} + V_{AC} + V_{DC})/2$ Ring: $(V_{BATL} - V_{AC} - V_{DC})/2$
Active High (ACTH)	ACTH	V_{BGND}/V_{BATH}	Voice and/or TTX transmission	Buffer, Sensor, DC + AC loop, TTX generator (optional)	Tip: $(V_{BATH} + V_{AC} + V_{DC})/2$ Ring: $(V_{BATH} - V_{AC} - V_{DC})/2$
Active Ring (ACTR)	ACTR	V_{HR}/V_{BATH}	Voice and/or TTX transmission	Buffer, Sensor, DC + AC loop, TTX generator (optional)	Tip: $(+ V_{BATH} + V_{HR} + V_{AC} + V_{DC})/2$ Ring: $(+ V_{BATH} + V_{HR} - V_{AC} - V_{DC})/2$

Preliminary
Operational Description
Table 14 DuSLIC-E/-E2 Operating Modes (cont'd)

SLICOFI-2 Mode	SLIC-E / SLIC-E2 Mode	SLIC-E/-E2 Internal Supply Voltages (+/-) [V_{HI}/V_{BI}]	System Functionality	Active Circuits	Tip/Ring Output Voltage
Ring (Ring)	ACTR	V_{HR}/V_{BATH}	Balanced Ring signal feed (incl. DC offset)	Buffer, Sensor, DC loop, Ring generator	Tip: $(V_{BATH} + V_{HR} + V_{DC})/2$ Ring: $(V_{BATH} + V_{HR} - V_{DC})/2$
Ring Pause	ACTR	V_{HR}/V_{BATH}	DC offset feed	Buffer, Sensor, DC loop, ramp generator	Tip: $(V_{BATH} + V_{HR} + V_{DC})/2$ Ring: $(V_{BATH} + V_{HR} - V_{DC})/2$
HIRT	HIRT	V_{HR}/V_{BATH}	E.g. sensor offset calibration	Sensor, DC transmit path	High Impedance
Active with HIR	HIR	V_{HR}/V_{BATH}	E.g. line test (Tip)	Tip-Buffer, Sensor, DC + AC loop	Tip: $(V_{BATH} + V_{HR} + V_{AC} + V_{DC})/2$ Ring: High impedance
Active with HIT	HIT	V_{HR}/V_{BATH}	E.g. line test (Ring)	Ring-Buffer, Sensor, DC + AC loop	Ring: $(V_{BATH} + V_{HR} - V_{AC} - V_{DC})/2$ Tip: High impedance

¹⁾ load ext. C for switching from PDRH to ACTH in on-hook mode

V_{AC} ... Tip/Ring AC Voltage

V_{DC} ... Tip/Ring DC Voltage

4.4 Operating Modes for the DuSLIC-P Chip Set
Table 15 DuSLIC P Operating Modes

SLICOFI-2 Mode	SLIC-P Mode	SLIC-P Internal Supply Voltages [V_{BI}]	System Functionality	Active Circuits	Tip/Ring Output Voltage
PDH	PDH	V_{BATR}	None	None	High impedance
Sleep	PDRH	V_{BATH}	Off-hook detect via off-hook comparator	Off-hook, Analog comparator	V_{BGND}/V_{BATH} (via 5 k Ω)
Sleep	PDRR	V_{BATR}	Off-hook detect via off-hook comparator	Off-hook, Analog comparator	V_{BGND}/V_{BATR} (via 5 k Ω)
Power Down Resistive	PDRH	V_{BATH}	Off-hook detect as in active mode (DSP)	Off-hook, DC transmit path	V_{BGND}/V_{BATH} (via 5 k Ω)
–	PDRHL ¹⁾	V_{BATH}	Off-hook detect as in active mode (DSP)	Off-hook, DC transmit path	V_{BGND}/V_{BATH} (via 5 k Ω)
–	PDRR	V_{BATR}	Off-hook detect as in active mode (DSP)	Off-hook, Analog comparator	V_{BGND}/V_{BATR} (via 5 k Ω)
–	PDRRL ²⁾	V_{BATR}	Off-hook detect as in active mode (DSP)	Off-hook, DC transmit path	V_{BGND}/V_{BATR} (via 5 k Ω)
Active Low (ACTL)	ACTL	V_{BATL}	Voice and/or TTX transmission	Buffer, Sensor, DC + AC loop, TTX generator (optional)	Tip: $(V_{BATL} + V_{AC} + V_{DC})/2$ Ring: $(V_{BATL} - V_{AC} - V_{DC})/2$
Active High (ACTH)	ACTH	V_{BATH}	Voice and/or TTX transmission	Buffer, Sensor, DC + AC loop, TTX generator (optional)	Tip: $(V_{BATH} + V_{AC} + V_{DC})/2$ Ring: $(V_{BATH} - V_{AC} - V_{DC})/2$

Preliminary
Operational Description
Table 15 DuSLIC P Operating Modes (cont'd)

SLICOFI-2 Mode	SLIC-P Mode	SLIC-P Internal Supply Voltages [V_{BI}]	System Functionality	Active Circuits	Tip/Ring Output Voltage
Active Ring (ACTR)	ACTR	V _{BATR}	Voice and/or TTX transmission	Buffer, Sensor, DC + AC loop, TTX generator (optional)	Tip: (V _{BATR} + V _{AC} + V _{DC})/2 Ring: (V _{BATR} - V _{AC} - V _{DC})/2
Ringing (Ring)	ACTR	V _{BATR}	Balanced ring signal feed (incl. DC offset)	Buffer, Sensor, DC loop, ring generator	Tip: (V _{BATR} + V _{DC})/2 Ring: (V _{BATR} - V _{DC})/2
Ringing (Ring)	ROR	V _{BATR}	Ring signal on ring, Tip on BGND	Buffer, Sensor, DC loop, ring generator	Ring: (V _{BATR} - V _{DC})/2 Tip: 0 V
Ringing (Ring)	ROT	V _{BATR}	Ring signal on ring, Tip on BGND	Buffer, Sensor, DC loop, ring generator	Tip: (V _{BATR} + V _{DC})/2 Ring: 0 V
Ring Pause	ACTR, ROR, ROT	V _{BATR}	DC offset feed	Buffer, Sensor, DC loop, ramp generator	Tip: (V _{BATR} + V _{DC})/2 Ring: (V _{BATR} - V _{DC})/2
HIRT	HIRT	V _{BATR}	E.g. sensor offset calibration	Sensor, DC transmit path	High impedance
Active with HIR	HIR	V _{BATR}	E.g. line test (Tip)	Tip-Buffer, Sensor, DC + AC loop	Tip: (V _{BATR} + V _{AC} + V _{DC})/2 Ring: High impedance
Active with HIT	HIT	V _{BATR}	E.g. line test (Ring)	Ring-Buffer, Sensor, DC + AC loop	Ring: (V _{BATR} - V _{AC} - V _{DC})/2 Tip: High impedance

1) load ext. C for switching from PDRH to ACTH in on-hook mode

2) load ext. C for switching from PDRR to ACTR in on-hook mode

4.5 Reset Mode and Reset Behavior

4.5.1 Hardware and Power On Reset

A reset of the DuSLIC is initiated by a power-on reset or a hardware reset by setting the signal at RESET input pin to low level for at least $4\ \mu\text{s}$ ¹⁾. The reset input pin has a spike rejection which will safely suppress spikes with an duration of less than $1\ \mu\text{s}$ ²⁾.

By setting the reset signal to low, the chip will be reset (see [Figure 39](#)):

- all I/O pins deactivated
- all outputs inactive (e.g. DXA/DXB)
- internal PLL stopped
- internal clocks deactivated
- chip in power down high impedance (PDH)

With the high going reset signal, the following actions take place:

- Clock detection
- PLL synchronization
- Running the reset routine

The internal reset routine will then initialize the whole chip to default condition as described in the SOP default register setting (see [Chapter 6](#)). To run through the internal reset routine it is necessary that all external clocks are supplied:

- $\mu\text{C}/\text{PCM}$ mode: FSC, MCLK, PCLK
- IOM-2 mode: FSC and DCL.

Without valid and stable external clock signals, the DuSLIC will not finish the reset sequence properly.

The internal reset routine requires 12 frames ($125\ \mu\text{s}$) to be finished (including PLL start up and clock synchronization) and is setting the default values given in [Table 16](#). The first register access to the *SLICOFI-2x* may be done after the internal reset routine is finished.

¹⁾ Maximum spike rejection time $t_{\text{rej,max}}$

²⁾ Minimum spike rejection time $t_{\text{rej,min}}$

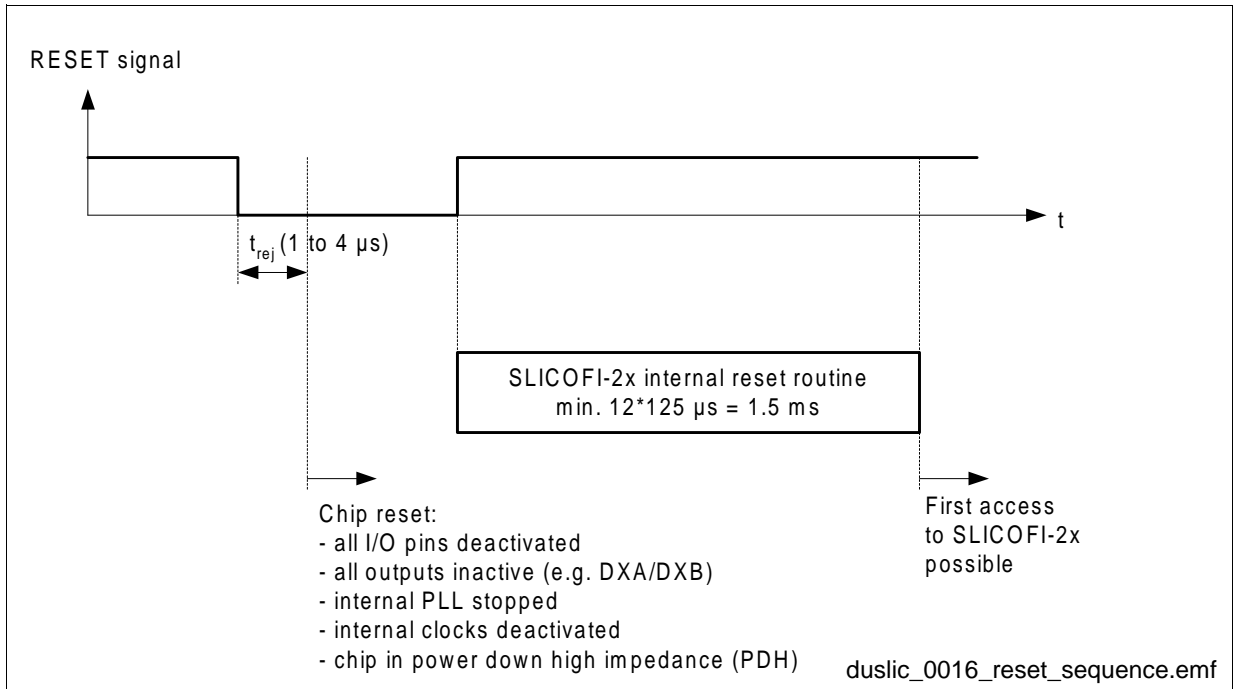


Figure 39 DuSLIC Reset Sequence

4.5.2 Software Reset

When performing a software reset, the DuSLIC is running the reset routine and sets the default settings of the configuration registers. The software reset can be performed individually for each channel.

Table 16 Default Values

DC			
I_{K1}	20	mA	Limit for Constant Current
V_{K1}	34	V	Voltage of limit between Constant Current and Resistive Zone
K_B	1	–	Additional gain with extended battery feeding
R_I	10	k Ω	Output Resistance in constant current zone
R_{K12}	100	Ω	Programmable resistance in resistive zone
f_{RING}	25.4	Hz	Ring frequency
A_{RING}	62	Vrms	Ring amplitude at Ring/Tip wire
RO1	23	V	Ring offset voltage RO1
RO2	0	V	Ring offset voltage RO2
RO3	50	V	Ring offset voltage RO3
f_{RINGLP}	75	Hz	Corner frequency of Ring low-pass filter
Off-hookPD	2	mA	Current threshold for Off-hook Detection in Power Down mode
Off-hookAct	8	mA	Off-hook Detection in Active with 2 mA hysteresis
Off-hookRing	5	mA	DC-Current threshold for Off-hook Detection in Ringing mode
Off-hookMW	5	mA	DC-Current threshold for Off-hook Detection in Message Waiting
Off-hookAC	22	mArms	Current threshold for AC Ring-Trip detection
LineSup	5	mA	Current threshold Line-Supervision for ground start
Ring/Tip	30	V	Voltage threshold at Ring/Tip wire for VRTLIM bit
DC-Lowpass	1.2/20	Hz	DC low-pass set to 1.2 and 20 Hz respectively
ConstRamp	300	V/s	Slope of the ramp generator
delay _{RING}	0	ms	Delay of Ring burst
SRend1	1/128	–	Soft-reversal threshold 1 (referred to the input of the ramp generator)

Preliminary
Operational Description
Table 16 Default Values (cont'd)

SRend2	1/512	–	Soft-reversal threshold 2 (referred to the input of the ramp generator)
DUP	10	ms	Data Upstream Persistence Counter is set to 10 ms
DUP-IO	16.5	ms	Data Upstream Persistence Counter for I/O pins, VRTLIM and ICON bits (register INTREG1) is set to 16.5 ms
SR-Time	80	ms	Time for soft-reversal

AC

IM-Filter	900	Ω	Approximately 900 Ω real input impedance
TH-Filter	TH_{BRD}	–	Approximately BRD impedance for balanced network
LX	0	dB	Relative level in transmit
LR	7	dB	Relative level in receive
ATTX	2.5	V _{rms}	Teletax generator amplitude at the resistance of 200 Ω
f_{TTX}	16	kHz	Teletax generator frequency
TG1	940	Hz	Tone generator 1 (– 12 dBm)
TG2	1633	Hz	Tone generator 2 (– 10 dBm)
AC-LM-BP	1004	Hz	AC level meter band pass

4.6 Interrupt Handling

SLICOFI-2x provides much interrupt data for the host system. Interrupt handling is performed by the on chip microprogram which handles the interrupts in a fixed 2 kHz (500 μ s) frame. Therefore, some delays up to 500 μ s can occur in the reactions of *SLICOFI-2x* depending on when the host reads the interrupt registers.

Independent of the selected interface mode (PCM/ μ C or IOM-2), the general behavior of the interrupt is as follows:

- Any change (at some bits only transitions from 0 to 1) in one of the four interrupt registers leads to an interrupt. The interrupt channel bit INT-CH in INTREG1 is set to one and all interrupt registers of one DuSLIC channel are locked at the end of the interrupt procedure (500 μ s period). Therefore all changes within one 2 kHz frame are stored in the interrupt registers. The lock remains until the interrupt channel bit is cleared (Release Interrupt by reading all four interrupt registers INTREG1 to INTREG4 with one command).
- In IOM-2 interface mode, the interrupt channel bits are fed to the CIDU channel (see IOM-CIDU). In PCM mode, the INT pin is set to active (low).
- The interrupt is released (INT-CH bit reset to zero) by reading all four interrupt registers by one command. Reading the interrupt registers one by one using a series of commands does not release the interrupt even if all four registers are read.
- A hardware or power-on reset of the chip clears all pending interrupts and resets the INT line to inactive (PCM/ μ C mode) or resets the INT-CH bit in CIDU (IOM-2 mode). The behavior after a software reset of both channels is similar, the interrupt signal switches to non-active within 500 μ s. A software reset of one DuSLIC channel deactivates the interrupt signal if there is no active interrupt on the other DuSLIC channel.

If the reset line is deactivated, a reset interrupt is generated for each channel (bit RSTAT in register INTREG2).

4.7 Operating Modes and Power Management

In many applications, the power dissipated on the line card is a critical parameter. In larger systems, the mean power value (taking into account traffic statistics and line length distribution) determines cooling requirements. Particularly in remotely fed systems, the maximum power for a line must not exceed a given limit.

4.7.1 Introduction

Generally, system power dissipation is determined mainly by the high-voltage part. The most effective power-saving method is to limit SLIC functionality and reduce supply voltage in line with requirements. This is achieved using different operating modes.

The three main modes – Power Down, Active and Ringing – correspond to the main system states: on-hook, signal transmission (voice and/or TTX) and ring signal feed.

For power critical applications the Sleep mode can be used for even lower power consumption than in Power Down mode.

– Power Down

Off-hook detection is the only function available. It is realized by 5 k Ω resistors applied by the SLIC from Tip to V_{BGND} and Ring to V_{BAT} , respectively. A simple sensing circuit supervises the DC current through these resistors (zero in on-hook and non-zero in off-hook state). This scaled transversal line current is transferred to the IT pin and compared with a programmable current threshold in the *SLICOFI-2x*. Only the DC loop in the *SLICOFI-2x* is active.

In **Sleep** mode, all functions of the *SLICOFI-2x* are switched off except for off-hook detection which is still available via an analog comparator. Both AC and DC loops are inactive. To achieve the lowest power consumption of the DuSLIC chip set, the clock cycles fed to the MCLK and PCLK pins have to be shut off.

For changing into another state the DuSLIC has to be woken up according to the procedure described in [Chapter 4.1](#).

– Active

Both AC and DC loops are operative. The SLIC provides low-impedance voltage feed to the line. The SLIC senses, scales and separates transversal (metallic) and longitudinal line currents. The voltages at Tip and Ring are always symmetrical with reference to half the battery voltage (no ground reference!). An integrated switch makes it possible to choose between two (SLIC-S/-S2, SLIC-E/-E2) or even three (SLIC-P) different battery voltages. With these voltages selected according to certain loop lengths, power optimized solutions can be achieved.

Preliminary**Operational Description****– Ringing**

For SLIC-E/-E2 and SLIC-S, an auxiliary positive supply voltage V_{HR} is used to give a total supply range of up to 150 V. For SLIC-P the whole supply range is provided by V_{BATR} . The low-impedance line feed (R_{STAB} (2x30 Ω) + R_{FUSE} (2x20 Ω) + appr. 1 Ω \approx 101 Ω output impedance) with a balanced sinusoidal Ring signal of up to 85 Vrms, plus a DC offset of 20 V, is sufficient to supply very long lines at any kind of ringer load and to reliably detect Ring trip. Unbalanced ringing is supported by applying the Ring signal to only one line, while Ground is applied to the other line.

For an overview of all DuSLIC operating modes see [Table 13](#) for PEB 4264/-2, [Table 14](#) for PEB 4265/-2 and [Table 15](#) for PEB 4266.

4.7.2 Power Dissipation of the SLICOFI-2x

For an optimized power consumption unused EDSP functions have to be switched off.

Typical power dissipation values for different operating modes of the *SLICOFI-2x* are shown in [Chapter 7.4.3](#) and [Chapter 7.4.4](#).

4.7.3 Power Dissipation of the SLIC

The SLIC power dissipation mainly comes from internal bias currents and the buffers output stage (to a lesser extent from the sensor) where additional power is dissipated whenever current is fed to the line.

4.7.3.1 Power Down Modes

In Power Down modes, the internal bias currents are reduced to a minimum and no current is fed to the line (see [Table 19](#), [Table 21](#) and [Table 23](#)). Even with active off-hook detection, the power dissipation of 5 mW (6 mW for SLIC-P) is negligible. Note that this is the dominant factor for a low mean power value in large systems, as a large percentage of lines are always inactive.

4.7.3.2 Active Mode

In Active mode, the selected battery voltage V_{BATx} ¹⁾ has the strongest influence on power dissipation. The power dissipation in the output stage P_O (see [Chapter 7.1.5](#) and [Chapter 7.2.5](#)) is determined by the difference between V_{BATx} and the Tip-Ring voltage $V_{TIP/RING}$. At constant DC line current I_{Trans} , the shortest lines (lowest R_L) cause lowest $V_{TIP/RING}$, and accordingly exhibit the highest on-chip power dissipation. However, the minimum battery voltage required is determined by the longest line and therefore the maximum line resistance $R_{L,MAX}$ and in addition R_{PROT} and R_{STAB} .

$$V_{BATx,min} = I_{Trans} \times (R_{L,MAX} + R_{PROT} + R_{STAB}) + V_{AC,P} + V_{DROP}$$

$V_{AC,P}$ Peak value of AC signal

V_{DROP} Sum of voltage drop in the SLIC buffers ([Table 17](#))

Table 17 Typical Buffer Voltage Drops (Sum) for I_{TRANS} (I_T or I_R)

Mode	Total Voltage drop V_{DROP} [V]	
	SLIC-E/-E2/-S/-S2	SLIC-P
ACTL	$I_{TRANS} \times 96 \Omega$	$I_{TRANS} \times 88 \Omega$
ACTH	$I_{TRANS} \times 100 \Omega$	$I_{TRANS} \times 100 \Omega$
ACTR	$(I_{TRANS} \times 100 \Omega) + 1 V$	$I_{TRANS} \times 92 \Omega$
ROR, ROT	–	$I_{TRANS} \times 92 \Omega$
HIR, HIT	$(I_{T \text{ or } R} \times 48 \Omega) + 1 V$	$I_{T \text{ or } R} \times 52 \Omega$

¹⁾ $V_{BATx} = V_{BATL}, V_{BATH}$ or V_{BATR}

Preliminary

Operational Description

The most efficient way to reduce short-loop power dissipation is to use a lower battery supply voltage (V_{BATL}) whenever line resistance is small enough. This method is supported on the SLIC-E/-E2 by integrating a battery switch. With a standard battery voltage of -48 V , long lines up to $2\text{ k}\Omega$ can be driven at 20 mA line current.

The SLIC-P PEB 4266 “low-power” version even allows three battery voltages (typically the most negative one, e.g. -48 V , is used in Active mode (On-hook) and Power Down mode).

DuSLIC contains two mechanism which can be used as indication for the battery switching:

1. A threshold for the voltage at Tip/Ring can be set for generating an interrupt
2. The change between constant current and resistive feeding will generate an interrupt

4.7.3.3 SLIC Power Consumption Calculation in Active Mode

A scheme for a typical calculation is shown in **Figure 40**.

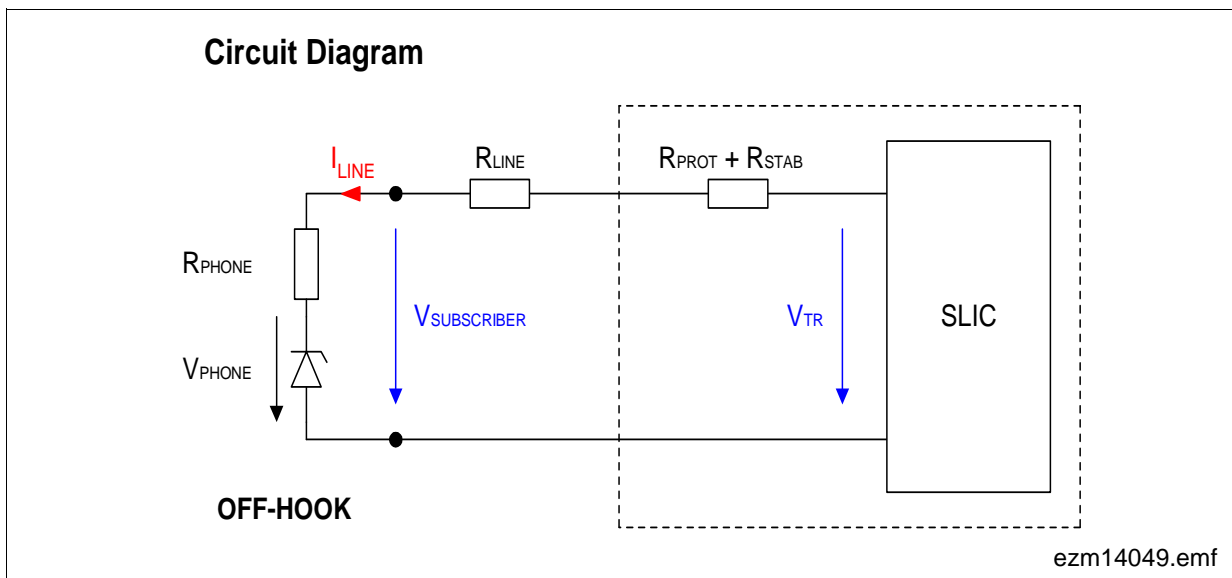


Figure 40 Circuit Diagram for Power Consumption

$R_{PROT} = 40\ \Omega$, $R_{STAB} = 60\ \Omega$, $R_{PHONE} = 150\ \Omega$, $V_{PHONE} = 7\text{ V}$, $I_{LINE} = 20\text{ mA}$
 Conditions: $V_{Voice\ peak} = 2\text{ V}$, $I_{Voice\ peak} = 2\text{ mA}$, $V_{TTX,rms}$ (see example below)

Typical Power Consumption Calculation with SLIC-E/-E2

Assuming a typical application where the following battery voltages are used:

$V_{DD} = 5\text{ V}$, $V_{BATL} = -43\text{ V}$, $V_{BATH} = -62\text{ V}$, $V_{HR} = 80\text{ V}$ and line feeding is guaranteed up to $R_L = 1900\ \Omega$. For longer lines ($R_L > 1900\ \Omega$) the extended battery feeding option can be used (Mode ACTR).

Requirement for TTX: $V_{TTX} = 2.5\text{ Vrms}$ at a load of $200\ \Omega$.

Table 18 shows line currents and output voltages for different operating modes.

Table 18 Line Feed Conditions for Power Calculation of SLIC-E/-E2

Operating Mode	Line Currents	Output Voltages
PDRH, PDRHL	$I_{\text{TRANS}} = 0 \text{ mA}$	–
ACTL	$I_{\text{TRANS}} = 20 \text{ mA}$	$V_{\text{TIP/RING}} = 32 \text{ V}$
ACTH	$I_{\text{TRANS}} = 20 \text{ mA}$	$V_{\text{TIP/RING}} = 50 \text{ V}$
ACTR extended battery feeding at higher loop length ($R_L > 1900 \Omega$)	$I_{\text{TRANS}} = 20 \text{ mA}$	$V_{\text{TIP/RING}} = 130 \text{ V}$

With the line feed conditions given in the above table the total power consumption P_{TOT} and its shares at different operating modes are shown in **Table 19**. The output voltage at Tip and Ring is calculated for the longest line ($R_L = 1900 \Omega$ in ACTH, $R_L = 996 \Omega$ in ACTL).

Table 19 SLIC-E/-E2 Typical Total Power Dissipation

	P_Q ¹⁾	P_I	P_G	P_O	P_{TOT}
Operating Mode	[mW]	[mW]	[mW]	[mW]	[mW]
PDH	4.6	0	0	0	4.6
PDRH	5.6	0	0	0	5.6
ACTL	127	51.3	27.1	220	425.4
ACTH	222	72.2	32.8	240	567
ACTR	379	96.2	412	240	1127.3

¹⁾ The formulas for the calculation of the power shares P_Q , P_I , P_G and P_O can be found in **Chapter 7.2.5**.

Figure 41 shows the total power dissipation P_{TOT} of the SLIC-E/-E2 in Active Mode (ACTH and ACTL) with switched battery voltage (V_{BATH} , V_{BATL}) as a function of R_{Line} . The power dissipation in the SLIC is strongly reduced for short lines.

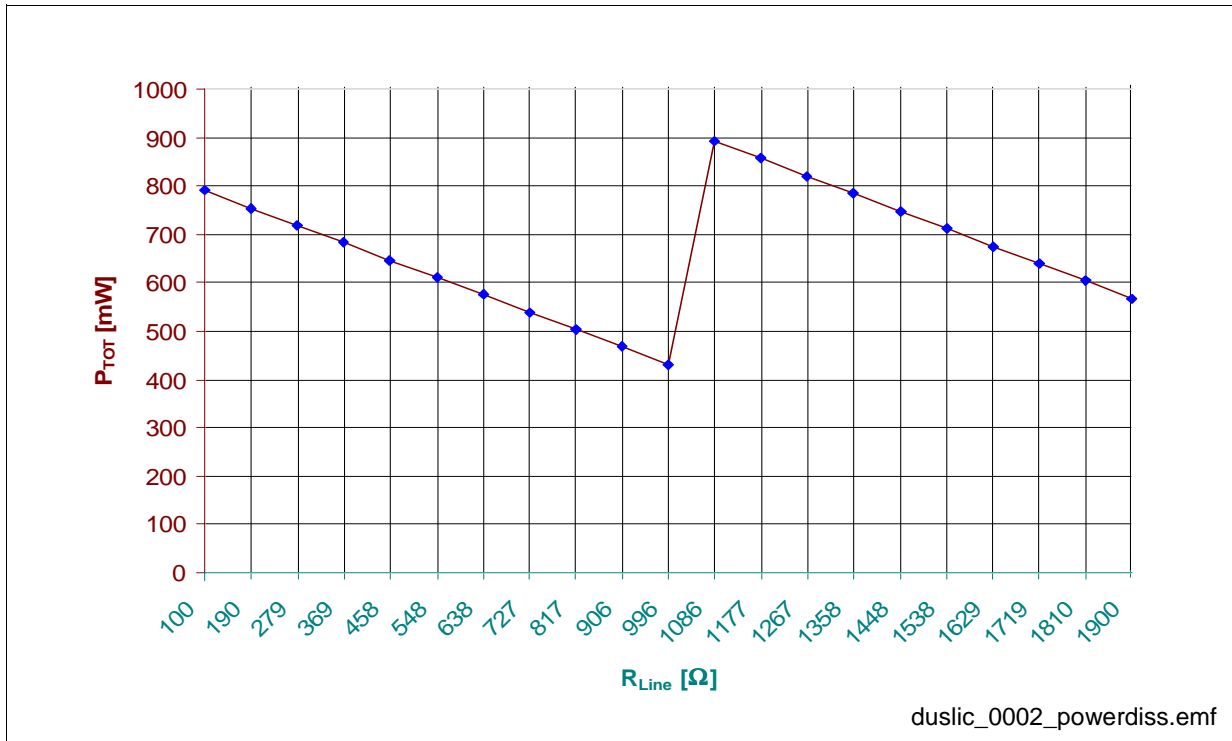


Figure 41 SLIC-E/-E2 Power Dissipation with Switched Battery Voltage

Typical Power Consumption Calculation with SLIC-P (Internal Ringing)

Assuming a typical application where the following battery voltages are used:

$V_{DD} = 5\text{ V}$, $V_{BATL} = -36\text{ V}$, $V_{BATH} = -48\text{ V}$, $V_{BATR} = -108\text{ V}$ and line feeding is guaranteed up to $R_L = 1200\ \Omega$.

Requirement for TTX: $V_{TTX} = 2.5\text{ Vrms}$ at a load of $200\ \Omega$.

Table 20 shows line currents and output voltages for different operating modes.

Table 20 Line Feed Conditions for Power Calculation for SLIC-P

Operating Mode	Line Currents	Output Voltages
PDRH, PDRHL	$I_{TRANS} = 0\text{ mA}$	–
ACTL	$I_{TRANS} = 20\text{ mA}$	$V_{TIP/RING} = 25.2\text{ V}$
ACTH	$I_{TRANS} = 20\text{ mA}$	$V_{TIP/RING} = 36\text{ V}$
ACTR	$I_{TRANS} = 20\text{ mA}$	$V_{TIP/RING} = 96\text{ V}$

With the line feed conditions given in the above table, the total power consumption P_{TOT} and its shares at different operating modes are shown in Table 21. The output voltage at Tip and Ring is calculated for the longest line ($R_L = 1200\ \Omega$ in ACTH, $R_L = 662\ \Omega$ in ACTL).

Preliminary

Operational Description

Table 21 SLIC-P PEB 4266 Power Dissipation

	P_Q	P_I	P_G	P_O	P_{TOT}
Operating Mode	[mW]	[mW]	[mW]	[mW]	[mW]
PDH	8.8	0	0	0	8.8
PDRH	7.7	0	0	0	7.7
PDRR	10.4	0	0	0	10.4
ACTL	81.7	43.6	15.3	216	357
ACTH	135	56.8	0	240	432
ACTR (Extended Battery Feeding)	383	123	112	240	857
ROR, ROT (Ring Pause)	263	0	102	0	365

Figure 43 shows the total power dissipation P_{TOT} of the SLIC-P in Active mode (ACTH and ACTL) with switched battery voltage (V_{BATH} , V_{BATL}) as a function of R_{Line} .

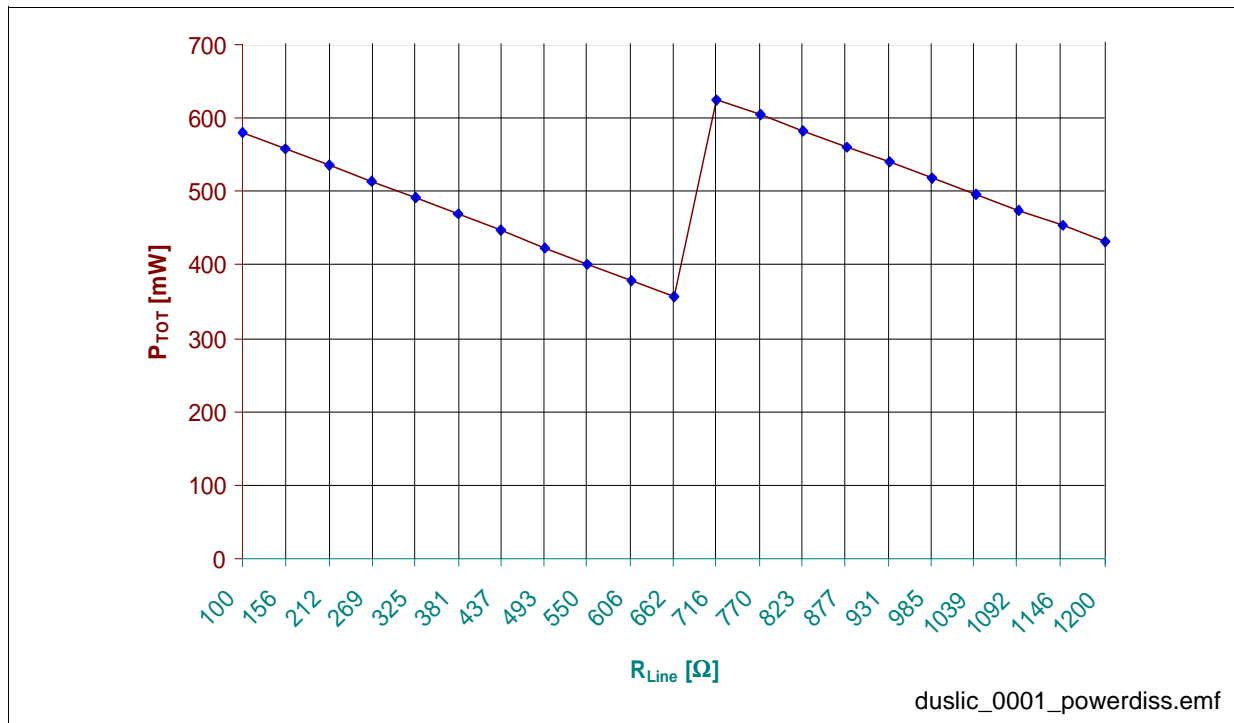


Figure 42 SLIC-P Power Dissipation (Switched Battery Voltage, Long Loops)

Typical Power Consumption Calculation with SLIC-P (External Ringing)

Assuming a typical application where the following battery voltages are used:

$V_{DD} = 5\text{ V}$, $V_{BATL} = -25\text{ V}$, $V_{BATH} = -31\text{ V}$, $V_{BATR} = -48\text{ V}$ and line feeding is guaranteed up to $R_L = 600\ \Omega$.

Requirement for TTX: $V_{TTX,rms} = 0.7\text{ V}$.

This is a typical lowest-power application, where V_{BATR} is used just in the On-hook state and V_{BATH} and V_{BATL} is used in the active modes with battery switching.

Table 22 shows line currents and output voltages for different operating modes.

Table 22 Line Feed Conditions for Power Calculation for SLIC-P

Operating Mode	Line Currents	Output Voltages
PDRH, PDRHL	$I_{TRANS} = 0\text{ mA}$	–
ACTL	$I_{TRANS} = 20\text{ mA}$	$V_{TIP/RING} = 19.2\text{ V}$
ACTH	$I_{TRANS} = 20\text{ mA}$	$V_{TIP/RING} = 24\text{ V}$
ACTR	$I_{TRANS} = 20\text{ mA}$	$V_{TIP/RING} = 41\text{ V}$

With the line feed conditions given in the above table, the total power consumption P_{TOT} and its shares at different operating modes are shown in **Table 23**. The output voltage at Tip and Ring is calculated for the longest line ($R_L = 600\ \Omega$ in ACTH, $R_L = 358\ \Omega$ in ACTL).

Table 23 SLIC-P PEB 4266 Power Dissipation

	P_Q	P_I	P_G	P_O	P_{TOT}
Operating Mode	[mW]	[mW]	[mW]	[mW]	[mW]
PDH	4.3	0	0	0	4.3
PDRH	4.5	0	0	0	4.5
PDRR	5.0	0	0	0	5.0
ACTL	57.8	31.5	1.0	116	206
ACTH	88.7	38.1	-28.6	140	238
ACTR	172.5	56.8	-87.2	140	282

Figure 43 shows the total power dissipation P_{TOT} of the SLIC-P in Active mode (ACTH and ACTL) with switched battery voltage (V_{BATH} , V_{BATL}) as a function of R_{Line} (Lowest Power Applications).

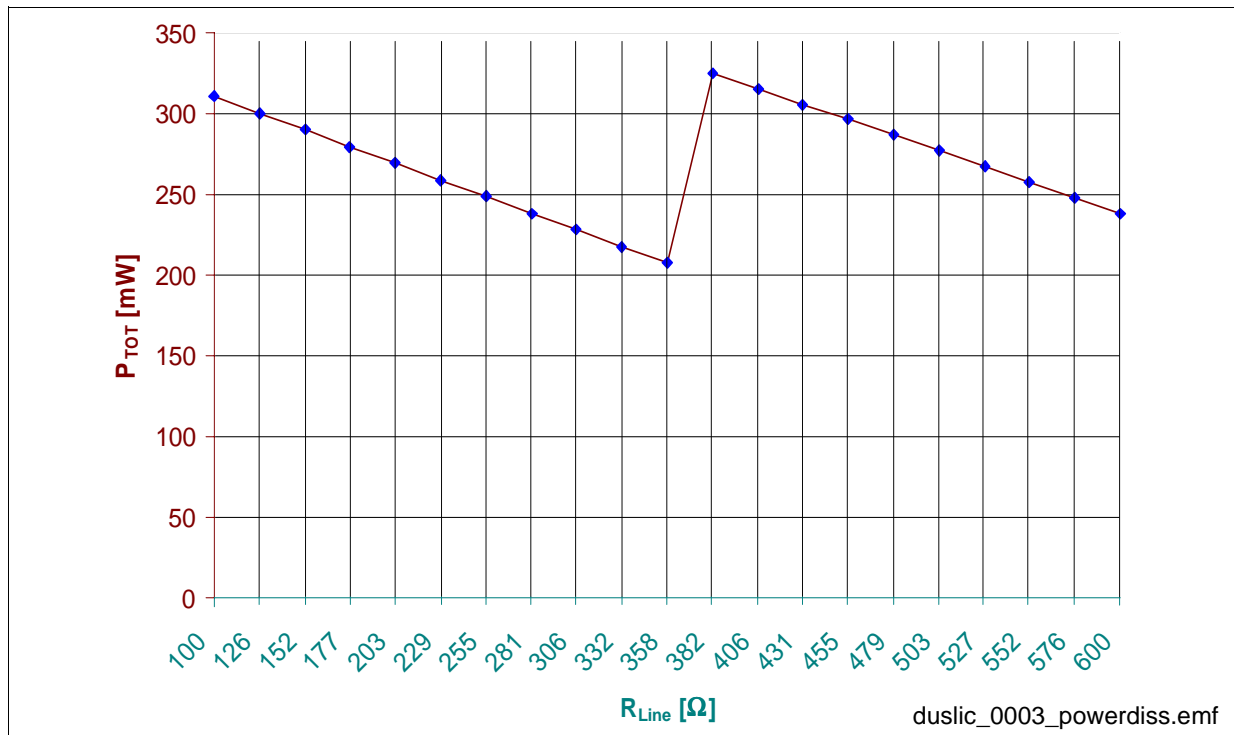


Figure 43 SLIC-P Power Dissipation (Switched Battery Voltage, Short Loops)

4.7.3.4 Ringing Modes

Internal Balanced Ringing (SLIC-E/-E2 and SLIC-P)

The SLIC-E/-E2/-P internal balanced ringing facility requires a higher supply voltage (auxiliary voltage V_{HR}). The highest share of the total power is dissipated in the output stage of the SLIC-E/-E2/-P. The output stage power dissipation P_O (see [Table 24](#), [Table 25](#)) depends on the ring amplitude ($V_{RNG,PEAK}$), the equivalent ringer load (R_{RNG} and C_{RNG}), the ring frequency (via $\cos\phi_L$) and the line length (R_L).

The minimum auxiliary voltage V_{HR} necessary for a required ring amplitude can be calculated using:

$$V_{HR} - V_{BATH} = V_{RNG,PEAK} + V_{RNG,DC} + V_{DROP} = V_{RNG,RMS} \times \text{crest factor} + V_{RNG,DC} + V_{DROP}$$

The crest factor is defined as peak value divided by RMS value (here always 1.41 because sinusoidal ringing is assumed).

$V_{RNG,DC}$ Superimposed DC voltage for Ring trip detection (10 to 20 V)

V_{DROP} Sum of voltage drops in SLIC buffers ([Table 17](#))

$V_{RNG,PEAK}$ Peak ring voltage at Tip/Ring

Preliminary

Operational Description

The strong influence of the ringer load impedance Z_{LD} and the number of ringers is demonstrated by the formula for the current sensor power dissipation ($P_I + P_O$) in [Table 24](#) and [Table 25](#).

The ringer load impedance Z_{LD} can be calculated as follows:

$$Z_{LD} = |Z_{LD}| \times e^{j\phi_{LD}} = R_L + R_{RNG} + 1/j\omega C_{RNG} \text{ with}$$

- Z_{LD} Load impedance
- R_{RNG} Ringer resistance
- C_{RNG} Ringer capacitance
- R_L Line resistance

Internal Unbalanced Ringing with SLIC-P

The ring signal is present just on one line (modes ROR, ROT), while the other line is connected to a potential of GND.

The minimum battery voltage V_{BATR} necessary for a required ring amplitude can be calculated using:

$$- V_{BATR} - V_{DROP} = 2 \times V_{RNG, PEAK} = 2 \times V_{RNG, RMS} \times \text{crest factor}$$

External Ringing (SLIC-E/-E2 and SLIC-P)

When an external ring generator and ring relays are used, the SLIC can be switched to Power Down mode.

The “low-power” SLIC-P is optimized for extremely power-sensitive applications (see [Table 23](#)). SLIC-P has three different battery voltages. V_{BATR} can be used for on-hook, while V_{BATH} and V_{BATL} are normally used for off-hook mode.

4.7.3.5 SLIC Power Consumption Calculation in Ringing Mode

The average power consumption for a ringing cadence of 1 second on and 4 seconds off is given by

$$P_{TOT, average} = k \times P_{TOT, Ringing} + (1 - k) \times P_{TOT, RingPause}$$

with $k = 0.20$

The typical circuit for ringing is shown in [Figure 44](#).

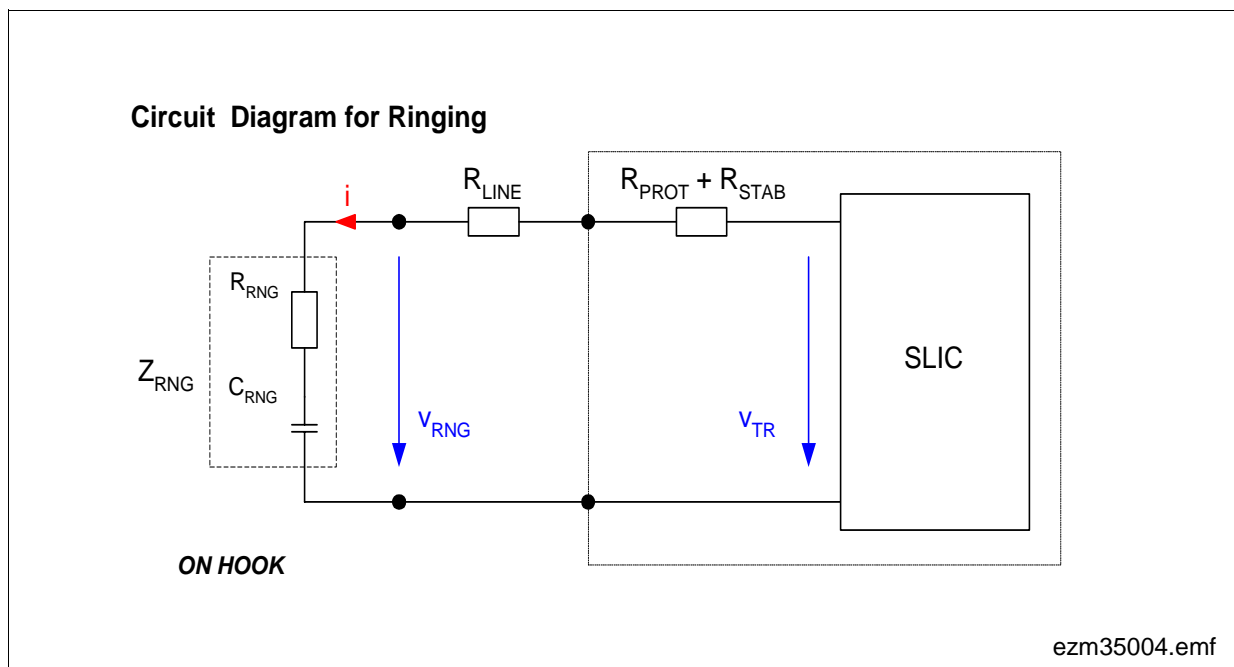


Figure 44 Circuit Diagram for Ringing

Preliminary

Operational Description

– Power Consumption Calculation for SLIC-E/-E2 in Balanced Ringing Mode

With the example of the above calculation for SLIC-E/-E2 (see [Chapter 4.7.3.3](#)) and a typical ringer load.

$R_{RNG} = 450 \Omega$, $C_{RNG} = 3.4 \mu F$, required ringing voltage $V_{RNG} = 58 V_{rms}$ and ringing frequency $f_{RNG} = 20 Hz$. DC Offset Voltage for ring trip detection $V_{DC} = 20 V$.

Table 24 shows the power calculation for the total power dissipation P_{TOT} of the SLIC-E/-E2 in balanced ringing mode consisting of the quiescent power dissipation P_Q , the current sensor power dissipation P_I , the gain stage power dissipation P_G and the output stage power dissipation P_O .

Table 24 SLIC-E/-E2 Balanced Ringing Power Dissipation (typical)

$P_{TOT, RingPause} = P_Q + P_I + P_G + P_O (I_{Trans} = 0 mA)$	710 mW
$P_{TOT, Ringing} = P_Q + P_I + P_G + P_O$	2481 mW ¹⁾
$P_Q = V_{DD} \times I_{DD} + V_{BATH} \times I_{BATH} + V_{BATL} \times I_{BATL} + V_{HR} \times I_{HR}$	390 mW
$P_I = 0.015 \times I_{Trans,rms} \times V_{HR} + 0.055 \times I_{Trans,rms} \times V_{BATH} + 0.04 \times I_{Trans,rms} \times V_{DD}$ with $I_{Trans,rms} = V_{TIP/RING,rms}/ Z_{LD} $	118 mW
$P_G = (V_{HR} + V_{BATH}) \times (SQRT((V_{HR} + V_{BATH} + V_{DC-offset})^2 + (V_{TIP/RING}^2)/2) - V_{HR} + V_{BATH})/60k + (V_{HR}^2 - 322 + V_{BATH}^2 - 48^2) \times (1/60k + 1/216k)$	320 mW
$P_O = (V_{HR} + V_{BATH}) \times I_{Trans,rms} \times 2 \times SQRT(2)/\pi - V_{TIP/RING,rms} \times I_{Trans,rms} \times \cos(\phi_{Load})$	1653 mW

¹⁾ Values for $V_{DD} = 5 V$, $V_{BATL} = -43 V$, $V_{BATH} = -62 V$, $V_{HR} = 80 V$, $T_J = 25 \text{ }^\circ C$

– Power Consumption Calculation for SLIC-P in Balanced Ringing Mode

With the example of the above calculation with $R_L = 1200 \Omega$ line length for SLIC-P (see [Chapter 4.7.3.3](#)) when the internal ringing feature will be used.

Typical ringer load: $R_{RNG} = 1000 \Omega$, $C_{RNG} = 3.7 \mu\text{F}$. Required ringing voltage $V_{RNGr} = 45 \text{ V}_{\text{rms}}$ and ringing frequency $f_{RNG} = 20 \text{ Hz}$. DC Offset voltage for ring trip detection $V_{DC} = 20 \text{ V}$.

Table 25 shows the power calculation for the total power dissipation P_{TOT} of the SLIC-P in balanced ringing mode consisting of the quiescent power dissipation P_Q , the current sensor power dissipation P_I , the gain stage power dissipation P_G and the output stage power dissipation P_O .

Table 25 SLIC-P Balanced Ringing Power Dissipation (typical)

$P_{TOT, \text{RingPause}} = P_Q + P_I + P_G + P_O \ (I_{\text{Trans}} = 0 \text{ mA})$	482 mW
$P_{TOT, \text{Ringing}} = P_Q + P_I + P_G + P_O$	1618 mW¹⁾
$P_Q = V_{DD} \times I_{DD} + V_{\text{BATR}} \times I_{\text{BATR}} + V_{\text{BATH}} \times I_{\text{BATH}} + V_{\text{BATL}} \times I_{\text{BATL}}$	370 mW
$P_I = 0.055 \times I_{\text{Trans,rms}} \times V_{\text{BATR}} + 0.04 \times I_{\text{Trans,rms}} \times V_{DD}$ with $I_{\text{Trans,rms}} = V_{\text{TIP/RING,rms}} / Z_{LD} $	117 mW
$P_G = (V_{\text{BATR}}^2 - 80^2) \times (1/60\text{k} + 1/216\text{k})$	112 mW
$P_O = V_{\text{BATR}} \times I_{\text{Trans,rms}} \times 2 \times \text{SQRT}(2)/\pi - V_{\text{TIP/RING,rms}} \times I_{\text{Trans,rms}} \times \text{COS}(\phi_{\text{Load}})$	1019 mW

¹⁾ Values for $V_{DD} = 5 \text{ V}$, $V_{\text{BATL}} = -36 \text{ V}$, $V_{\text{BATH}} = -48 \text{ V}$, $V_{\text{BATR}} = -108 \text{ V}$, $T_J = 25 \text{ }^\circ\text{C}$

Preliminary

Operational Description

– Power Consumption Calculation for SLIC-P in Unbalanced Ringing Mode

A similar power calculation is valid for internal unbalanced ringing mode, which is only available for the SLIC-P.

With the following example:

$V_{DD} = 5\text{ V}$, $V_{BATL} = -30\text{ V}$, $V_{BATH} = -36\text{ V}$, $V_{BATR} = -150\text{ V}$ and line feeding is guaranteed up to $600\ \Omega$.

Typical ringer load $R_{RNG} = 1000\ \Omega$, $C_{RNG} = 3.7\ \mu\text{F}$, required ringing voltage $V_{RNG} = 45\text{ V}_{rms}$ and ringing frequency $f_{RNG} = 20\text{ Hz}$.

Table 26 shows the power calculation for the total power dissipation P_{TOT} of the SLIC-P in unbalanced ringing mode.

Table 26 SLIC-P Unbalanced Ringing Power Dissipation (typical)

$P_{TOT, RingPause} = P_Q + P_I + P_G + P_O$ ($I_{Trans} = 0\text{ mA}$)	644 mW
$P_{TOT, Ringing} = P_Q + P_I + P_G + P_O$	2756 mW ¹⁾
$P_Q = V_{DD} \times I_{DD} + V_{BATR} \times I_{BATR} + V_{BATH} \times I_{BATH} + V_{BATL} \times I_{BATL}$	349 mW
$P_I = 0.055 \times I_{Trans,rms} \times V_{BATR} + 0.04 \times I_{Trans,rms} \times V_{DD}$ with $I_{Trans,rms} = V_{TIP/RING,rms} / Z_{LD} $	160 mW
$P_G = (0.5 \times V_{TIP/RING}^2 - (V_{BATR}/2)^2) / 60k + (V_{BATR}^2 - 80^2) \times (1/60k + 1/216k)$	295 mW
$P_O = V_{BATR} \times I_{Trans,rms} \times 2 \times \text{SQRT}(2) / \pi - V_{TIP/RING,rms} \times I_{Trans,rms} \times \text{COS}(\phi_{Load})$	1952 mW

¹⁾ Values for $V_{DD} = 5\text{ V}$, $V_{BATL} = -30\text{ V}$, $V_{BATH} = -36\text{ V}$, $V_{BATR} = -150\text{ V}$, $T_J = 25\text{ °C}$

4.8 Integrated Test and Diagnosis Functions (ITDF)¹⁾

4.8.1 Introduction

Subscriber loops are affected by a variety of failures which have to be monitored. Monitoring the loop supposes the access to the subscriber loop and to have test equipment in place which are capable to perform certain measurements. The measurements or tests involve resistance, capacitance, leakage, and measurements of interfering currents and voltages.

4.8.1.1 Conventional Line Testing

Conventional linecards in Central Office (CO) applications usually need two test relays per channel to access the subscriber loop with the appropriate test equipment. One relay (test-out) connects the actual test unit to the local loop. All required line tests can be accomplished that way. The second relay (test-in) separates the local loop from the SLIC-E/-E2/-P and connects a termination impedance to it. Hence, by sending a tone signal the entire loop can be checked, including the SLICOFI-2 and SLIC-E/-E2/-P.

4.8.1.2 DuSLIC Line Testing

The DuSLIC with its Integrated Test and Diagnosis Functions (ITDF) is capable to perform all tests necessary to monitor the local loop without an external test unit and test relays. The fact, that measurements can be accomplished much faster as with conventional test capabilities makes it even more a compelling argument for the DuSLIC. With the DuSLIC both channels are able to perform line tests concurrently, which also has a tremendous impact on the test time. All in all, the DuSLIC increases the quality of service and reduces the costs in various applications.

¹⁾ only available with DuSLIC-E/-E2/-P

4.8.2 Diagnostics

The two-channel chip set has a set of signal generators and features implemented to accomplish a variety of diagnostic functions. The SLICOFI-2 device generates all test signals, processes the information that comes back from the SLIC-E/-E2/-P and provides the data to a higher level master device, e.g. a microprocessor. All the tests can be initiated by the microprocessor and the results can be read back very easily. The Integrated Test and Diagnosis Functions (ITDF) might prevent any problem which affects service caused by the subscriber line or line equipment before the customer complains. IDTF has been integrated to facilitate the monitoring of the subscriber loop.

4.8.2.1 Line Test Capabilities

The line test comprises the following functions:

- Loop resistance
- Leakage current Tip/Ring
- Leakage current Tip/GND
- Leakage current Ring/GND
- Ringer capacitance
- Line capacitance
- Line capacitance Tip/GND
- Line capacitance Ring/GND
- Foreign voltage measurement Tip/GND
- Foreign voltage measurement Ring/GND
- Foreign voltage measurement Tip/Ring
- Measurement of ringing voltage
- Measurement of line feed current
- Measurement of supply voltage V_{DD} of the SLICOFI-2
- Measurement of transversal- and longitudinal current

Two main transfer paths (levelmeter) are implemented to accomplish all the different line measurement functions (refer to [Figure 45](#)).

4.8.2.2 Integrated Signal Sources

The signal sources available on the DuSLIC chip set are:

- Constant DC voltage (three programmable ringing DC offset voltages)
Please refer to the CRAM coefficient set and register LMCR3 (bits RNG-OFFSET[1:0]) on [Page 206](#).
- 2 independent tone generators TG1 and TG2:
Please refer to the CRAM coefficient set and register DSCR (bits PTG, TG2-EN, TG1-EN) on [Page 200](#).

Preliminary

Operational Description

- TTX metering signal generator (12/16 kHz)
Please refer to the CRAM coefficient set and register BCR2 (bits TTX-DIS, TTX-12k) on [Page 192](#).
- Ramp generator (used for capacitance measurements)
Please refer to the CRAM coefficient set and register LMCR2 (bit RAMP-EN) on [Page 204](#).
- Ring generator (5 Hz - 300 Hz)
Please refer to the CRAM coefficient [Table 51 "CRAM Coefficients" on Page 226](#).

Figure 45 shows the entire levelmeter block for AC and DC:

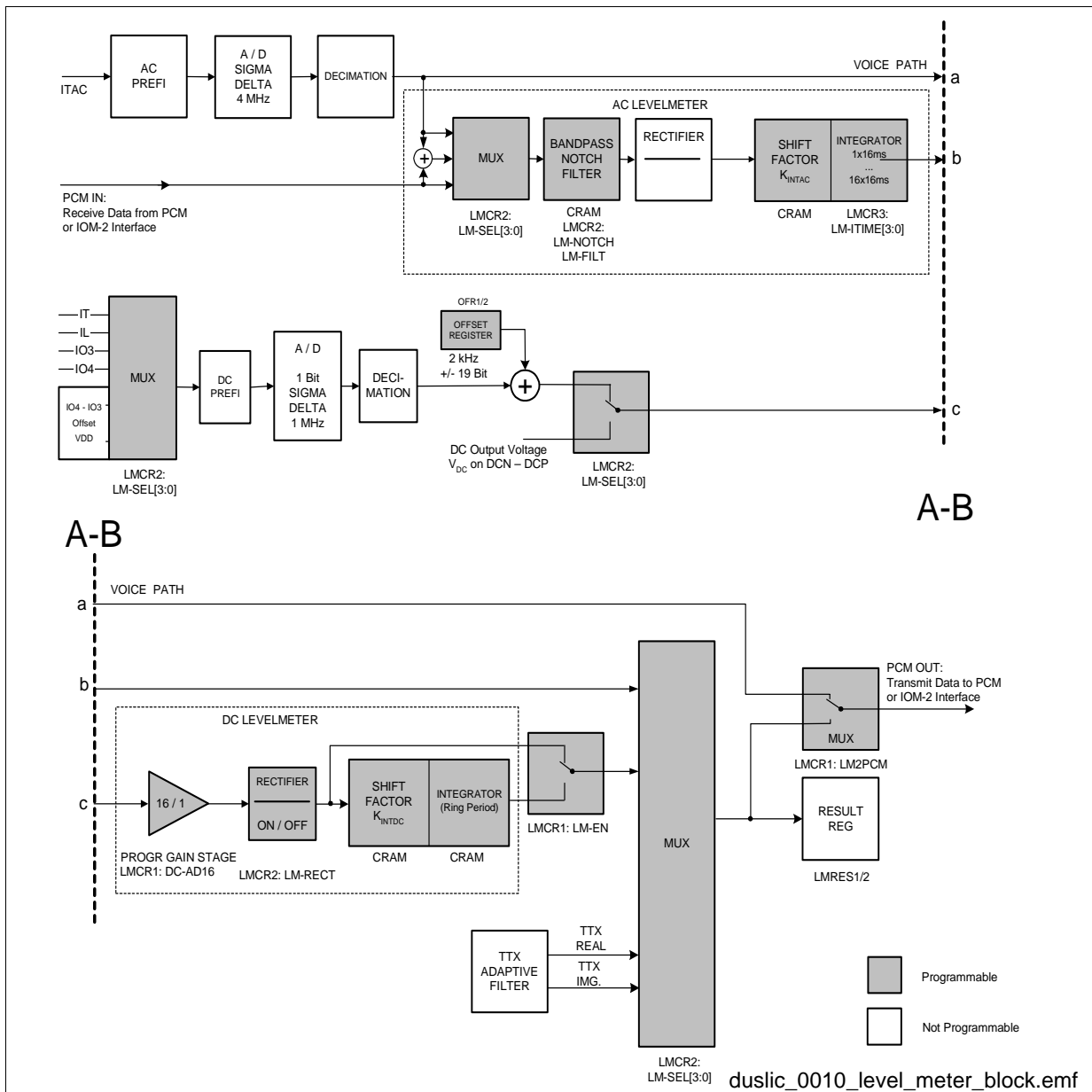


Figure 45 Blockdiagram Levelmeter

4.8.2.3 Result Register Data Format

The result of any measurement can be read via the result registers LMRES1/2. This gives a 16 bit value with LMRES1 being the high and LMRES2 being the low byte.

The result is coded in 16 bit two's complement:

Table 27 Levelmeter Result Value Range

Negative Value Range		Positive Value Range	
- Fullscale			+ Fullscale
0x8000	0xFFFF	0	0x7FFF
- 32768	- 1	0	+ 32767

4.8.2.4 Using the Levelmeter Integrator

Both AC and DC levelmeter allow to use a programmable integrator. The integrator may be configured to run continuously or single.

Single Measurement Sequence (AC & DC Levelmeter)

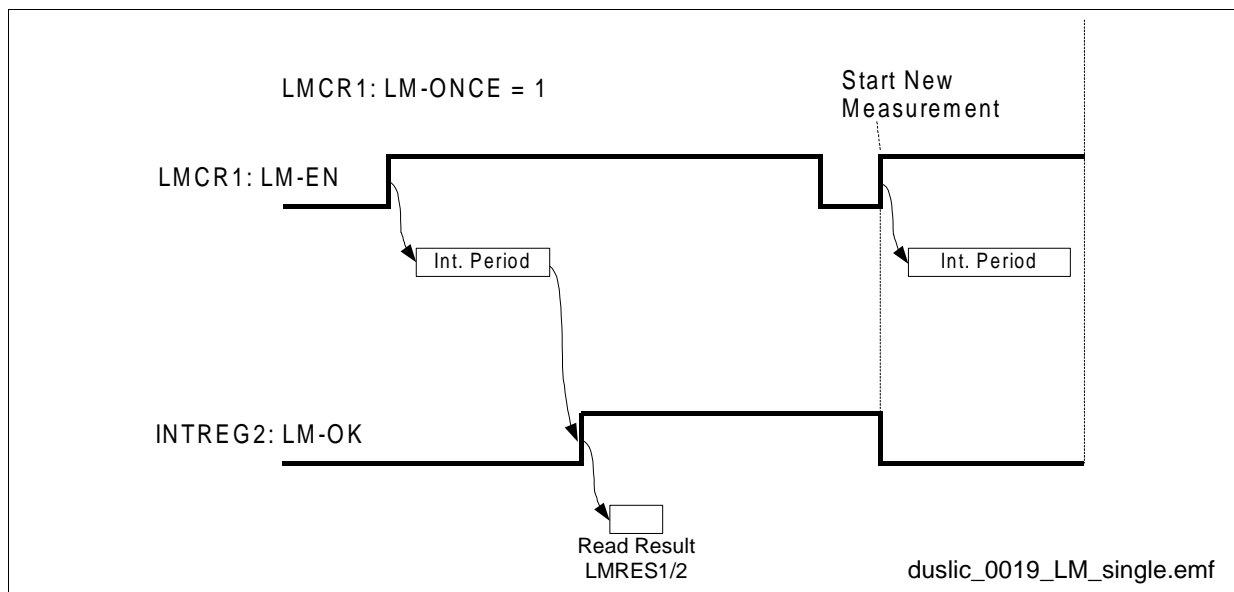


Figure 46 Single Measurement Sequence (AC&DC Levelmeter)

Continuous Measurement Sequence (DC Levelmeter)

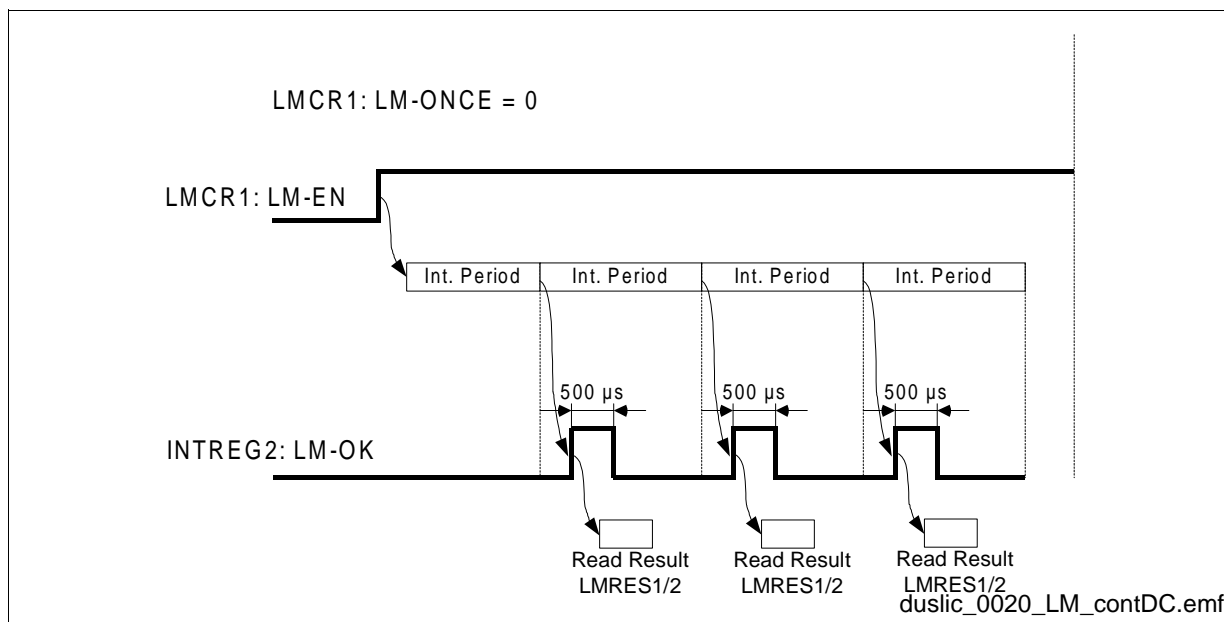


Figure 47 Continuous Measurement Sequence (DC Levelmeter)

Continuous Measurement Sequence (AC Levelmeter)

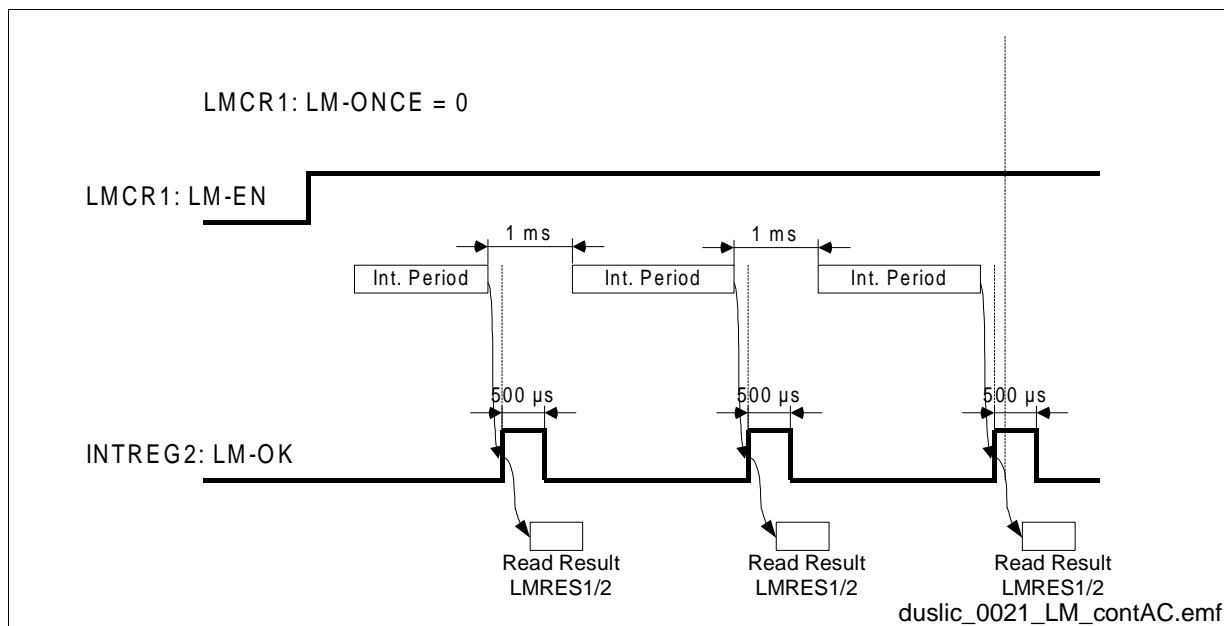


Figure 48 Continuous Measurement Sequence (AC Levelmeter)

4.8.2.5 DC Levelmeter

The path of the DC levelmeter is shown in [Figure 45](#). Hereby, the DC levelmeter results will be determined and prepared depending on certain configuration settings. The selected input signal becomes digitized after pre-filtering and analog-to-digital conversion. The DC levelmeter is selected and enabled as shown in [Table 28](#):

Table 28 Selecting DC Levelmeter Path

LM-SEL[3:0] in register LMCR2	DC Levelmeter Path
0100	DC out voltage on DCP-DCN
0101	DC current on IT
1001	DC current on IL
1010	Voltage on IO3
1011	Voltage on IO4
1101	V_{DD}
1110	Offset of DC-pre-filter (short circuit on DC-pre-filter input)
1111	Voltage on IO4 – IO3

The effective sampling rate after the decimation stages is 2 kHz. The decimated value has a resolution of 19 bits. The offset compensation value (see [Chapter 4.8.2.8](#)) within the offset registers OFR1 (bits OFFSET-H[7:0]) and OFR2 (bits OFFSET-L[7:0]) can be set to eliminate the offset caused by the SLIC-E/-E2/-P current sensor, pre-filter, and analog-to-digital converter. After the summation point the signal passes a programmable digital gain filter. The additional gain factor is either 1 or 16 depending on register LMCR1 (bit DC-AD16):

- LMCR1 (bit DC-AD16) = 0: No additional gain factor
- LMCR1 (bit DC-AD16) = 1: Additional gain factor of 16

The rectifier after the gain filter can be turned on/off with:

- LMCR2 (bit LM-RECT) = 0: Rectifier disabled
- LMCR2 (bit LM-RECT) = 1: Rectifier enabled

A shift-factor K_{INTDC} in front of the integrator prevents the levelmeter during an integration operation to create an overflow. If an overflow in the levelmeter occurs, the output result will be \pm fullscale (see [Table 27](#)).

If the shift factor K_{INTDC} is set to e.g. 1/8, the content of the levelmeter result register is the integration result divided by 8.

The shift factor K_{INTDC} is set in the CRAM (offset address 0x76):

Preliminary

Operational Description

CRAM:

Address 0x76: LMDC2/LMDC1

Address 0x77: 0/LMDC3

LMDC1, LMDC2 and LMDC3 are 4 bit nibbles which contain K_{INTDC} .

Table 29 K_{INTDC} Setting Table

LMDC1	LMDC2	LMDC3	K_{INTDC}
8	8	0	1
8	8	1	½
8	8	:	:
8	8	6	1/64
8	8	7	1/128

DuSLICOS allows to automatically calculate the coefficients for K_{INTDC} for I_{TRANS} measurement. The expected "Current for Ring Off-hook Detection" (see DuSLICOS DC Control Parameter 2/3) of e.g. 20 mA is entered in to the program and then K_{INTDC} is automatically calculated to achieve 50 % full scale if the current of 20 mA is integrated over the set ringer period.

The integration function accumulates and sums up the levelmeter values over a set time period. The time period is determined by the programmed ring frequency. A ring frequency f_{RING} of 20 Hz results in 100 samples ($N_{Samples}$), because of the 2 kHz effective DC sampling rate $f_{S,DC}$.

$$N_{Samples} = \frac{f_{S,DC}}{f_{RING}} = \frac{2000Hz}{f_{RING}}$$

The number of integration samples $N_{Samples}$ may also be programmed directly by accessing dedicated bytes in the Coefficient RAM (CRAM).

CRAM:

Address 0x73: RGF2/RGF1

Address 0x74: RGA1/RGF3

RGF1, RGF2 and RGF3 are 4 bit nibbles which control the ring frequency f_{RING} .

RGA1 is a 4 bit nibble which is calculated by DuSLICOS and controls the ringer amplitude (see DuSLICOS byte file). To ensure that RGA1 is not changed please perform a read/modify/write operation.

Table 30 N_{Samples} Setting Table

RGF1	RGF2	RGF3	f_{RING}	N_{Samples}
8	8	0	500	4
8	8	1	250	8
8	8	:	:	:
8	8	6	7.81	256
8	8	7	3.91	512

The integration function can be turned on and off by bit LM-EN in register LMCR1.

The levelmeter result of the selected signal source will be stored in the result registers LMRES1 (bits LM-VAL-H[7:0]) and LMRES2 (bits LM-VAL-L[7:0]) depending on the LM-SEL[3:0] bits in register LMCR2. The result registers get frequently updated every 500 μs if bit LM-EN in register LMCR1 = 0, or after an integration period, if bit LM-EN in register LMCR1 = 1. If the bit LM-ONCE in register LMCR1 is set to 1 then the integration is executed only once. To start again bit LM-EN has to be set from 0 to 1.

The levelmeter source/result can be transferred to the PCM/IOM-2 interface, depending on the bit LM2PCM in register LMCR1.

Table 31 shows the levelmeter results without and with integrator function. The integrator is enabled if bit LM-EN in register LMCR1 = 1.

The levelmeter result LM_{Value} is a 16 bit two's complement value of LM-VAL-H[7:0] and LM-VAL-L[7:0].

The factor LM_{Result} used in **Table 31** is defined:

$$LM_{\text{Result}} = \frac{LM_{\text{Value}}}{32768}$$

- Example for positive value of LM_{Result} :

LM-VAL-H = "0010 0100" = 0x24

LM-VAL-L = "1010 0101" = 0xA5

$LM_{\text{Value}} = 0x24A5 = 9381$

$LM_{\text{Result}} = 0.2863$

- Example for negative value of LM_{Result} :

LM-VAL-H = "1001 1001" = 0x99

LM-VAL-L = "0110 0010" = 0x62

$LM_{\text{Value}} = 0x9962 = -26270$

$LM_{\text{Result}} = -0.8017$

Table 31 Levelmeter Results with and without Integrator Function

	LM-EN = 0 (without Integrator)	LM-EN = 1 (with Integrator)
$I_{\text{TRANS}}^{1)}$: Power Down Resistive	$I_{\text{TRANS}} = \text{LM}_{\text{Result}} \times \frac{K_{\text{IT, PDR}}}{R_{\text{IT2}}} \times V_{\text{AD}}$ $I_{\text{TRANS}} = \text{LM}_{\text{Result}} \times 7.966 \text{ mA}$	$I_{\text{TRANS}} = \text{LM}_{\text{Result}} \times \frac{K_{\text{IT, PDR}} \times V_{\text{AD}}}{R_{\text{IT2}} \times N_{\text{Samples}} \times K_{\text{INTDC}}}$ $I_{\text{TRANS}} = \text{LM}_{\text{Result}} \times \frac{7.966 \text{ mA}}{N_{\text{Samples}} \times K_{\text{INTDC}}}$
$I_{\text{TRANS}}^{1)}$: any other mode	$I_{\text{TRANS}} = \text{LM}_{\text{Result}} \times \frac{K_{\text{IT}}}{R_{\text{IT2}}} \times V_{\text{AD}}$ $I_{\text{TRANS}} = \text{LM}_{\text{Result}} \times 79.66 \text{ mA}$	$I_{\text{TRANS}} = \text{LM}_{\text{Result}} \times \frac{K_{\text{IT}} \times V_{\text{AD}}}{R_{\text{IT2}} \times N_{\text{Samples}} \times K_{\text{INTDC}}}$ $I_{\text{TRANS}} = \text{LM}_{\text{Result}} \times \frac{79.66 \text{ mA}}{N_{\text{Samples}} \times K_{\text{INTDC}}}$
$I_{\text{LONG}}^{2)}$	$I_{\text{LONG}} = -\text{LM}_{\text{Result}} \times \frac{K_{\text{IL}}}{R_{\text{IL}}} \times V_{\text{AD}}$ $I_{\text{LONG}} = -\text{LM}_{\text{Result}} \times 67.7 \text{ mA}$	$I_{\text{LONG}} = -\text{LM}_{\text{Result}} \times \frac{K_{\text{IL}} \times V_{\text{AD}}}{R_{\text{IL}} \times N_{\text{Samples}} \times K_{\text{INTDC}}}$ $I_{\text{LONG}} = -\text{LM}_{\text{Result}} \times \frac{67.7 \text{ mA}}{N_{\text{Samples}} \times K_{\text{INTDC}}}$
Voltage: $\text{IO3}^{3)}$, $\text{IO4}^{4)}$, $\text{IO4-IO3}^{5)}$	$V_{\text{INPUT}} = -\text{LM}_{\text{Result}} \times V_{\text{AD}}$	$V_{\text{INPUT}} = -\text{LM}_{\text{Result}} \times \frac{V_{\text{AD}}}{N_{\text{Samples}} \times K_{\text{INTDC}}}$
V_{DD}	$V_{\text{DD}} = -\text{LM}_{\text{Result}} \times 3.9 \text{ V}$	$V_{\text{DD}} = -\text{LM}_{\text{Result}} \times \frac{3.9 \text{ V}}{N_{\text{Samples}} \times K_{\text{INTDC}}}$
$V_{\text{DC}}^{6)}$ with ACTL, ACTH	$V_{\text{DC}} = -\text{LM}_{\text{Result}} \times 76.35 \text{ V}$	$V_{\text{DC}} = -\text{LM}_{\text{Result}} \times \frac{76.35 \text{ V}}{N_{\text{Samples}} \times K_{\text{INTDC}}}$
$V_{\text{DC}}^{6)}$ with ACTR, ringing mode	$V_{\text{DC}} = -\text{LM}_{\text{Result}} \times 152.7 \text{ V}$	$V_{\text{DC}} = -\text{LM}_{\text{Result}} \times \frac{152.7 \text{ V}}{N_{\text{Samples}} \times K_{\text{INTDC}}}$

1) DC current on pin IT (bits LM-SEL[3:0] = 0101)

2) DC current on pin IL (bits LM-SEL[3:0] = 1001)

3) Voltage on IO3 referenced to V_{VCM} (typical 1.5 V) (bits LM-SEL[3:0] = 1010)

4) Voltage on IO4 referenced to V_{VCM} (typical 1.5 V) (bits LM-SEL[3:0] = 1011)

5) Voltage on IO4 – IO3 referenced to V_{VCM} (typical 1.5 V) (bits LM-SEL[3:0] = 1111)

6) DC output voltage at SLIC measured via DCN – DCP (bits LM-SEL[3:0] = 0100)

Preliminary
Operational Description

K_{INTDC}	Shift Factor (see Table 29)	
$K_{IT,PDR}$	Value of the current divider in power down resistive mode	5
K_{IT}	Value of the current divider for transversal current	50
K_{IL}	Value of the current divider for longitudinal current	100
R_{IT2}	Sense resistor for transversal current	680 Ω
R_{IL}	Sense resistor for longitudinal current	1600 Ω
V_{AD}	Voltage at A/D converter referred to digital fullscale	1.0834
V_{DC}	DC output voltage at SLIC measured via DCN – DCP	

Note: Measurement of pins IL, IO3, IO4, IO4-IO3 and VDD can cause problems in the DC loop. The measured value is always interpreted as I_{TRANS} current. This can disturb the DC regulation and the off-hook indication. In active mode you can freeze the output of the DC loop by setting the bit LM-HOLD to '1'. In ringburst mode it is possible that DuSLIC automatically switches back to ringpause mode because the measurement result was interpreted as off-hook. This can be avoided by programming the off-hook current to the maximum value (79.66 mA).

Measurement of AC signals via DC levelmeter

This method is applicable for a single frequency sinusoidal AC signal which is superimposed on a DC signal.

1. Set the ring frequency f_{RING} to the frequency of the signal to be measured. Multiples of the expected signal period may also be used.
2. Set the offset registers OFR1 and OFR2 to 0x00.
3. Measure the DC content with disabled rectifier (bit LM-RECT = 0).

The DC content can be calculated as described in [Table 31](#).

Note: If there was an overflow inside the integrator during the integration period, the result will be \pm fullscale. Reduce the shift factor K_{INTDC} or the number of samples $N_{Samples}$ and start the measurement again.

4. The offset registers OFR1 and OFR2 have to be programmed to the value

$$OFFSET = \frac{LM_{Value}}{N_{Samples} \times K_{INTDC}}$$

where OFR1 is the high byte and OFR2 is the low byte of the 16 bit word OFFSET.

5. Repeating the measurement of the DC content should result in a LM_{Value} of zero.
6. Perform a new measurement with the rectifier enabled (bit LM-RECT = 1). The result is the rectified mean value of the measured signal and can be calculated with the formulas of [Table 31](#).
7. From this result the peak value and the RMS value can be calculated:

$$V_{\text{Peak}} = \frac{|V|_{\text{Mean}} \times \pi}{2}$$

$$V_{\text{RMS}} = \frac{V_{\text{Peak}}}{\sqrt{2}}$$

4.8.2.6 AC Levelmeter

The AC levelmeter is selected and enabled as shown in [Table 32](#):

Table 32 Selecting AC Levelmeter Path

LM-SEL[3:0] in register LMCR2	AC Levelmeter Path
0000	AC levelmeter in transmit
0110	AC levelmeter in receive
0111	AC levelmeter receive + transmit

[Figure 45](#) on [Page 109](#) shows the path of the AC/TTX levelmeter functions. The AC levelmeter allows access to the voice signal while the active voice signal is being processed. The input signal for the AC levelmeter might get processed with a programmable filter characteristic, i.e. bandpass- or notch filter. Depending on the following settings, the bandpass or notch filter is turned on or off:

- Register LMCR2 bit LM-FILT = 0: No filter enabled (normal operation)
- Register LMCR2 bit LM-FILT = 1: Bandpass/notch filter characteristics enabled
- Register LMCR2 bit LM-NOTCH = 0: Notch filter enabled, bandpass filter disabled
- Register LMCR2 bit LM-NOTCH = 1: Bandpass filter enabled, notch filter disabled

The rectifier cannot be turned off, it is always active in the AC path. A shift-factor in front of the integrator prevents the levelmeter during an integration operation to create an overflow. The shift-factor can be set by the coefficient LM-AC gain (see CRAM coefficient set [Table 51 "CRAM Coefficients" on Page 226](#)).

K_{INTAC} can be set via coefficient LM-AC:

CRAM:

Address 0x34: CG1/LM-AC

LM-AC is a 4 bit nibble which contains K_{INTAC} .

CG1 is a 4 bit nibble which is calculated by DuSLICOS and controls the conference gain (see DuSLICOS byte file). To ensure that CG1 is not changed please perform a read/modify/write operation.

Table 33 K_{INTAC} Setting Table

LM-AC	K_{INTAC}
0	1
1	1/2
:	:
6	1/64
7	1/128

The integration function accumulates and sums up the levelmeter values over a set time period. The time period from 1*16 ms to 16*16 ms is set by the bits LM-ITIME[3:0] in register LMCR3. The integration function can be turned on and off by bit LM-EN in register LMCR1.

The number of samples $N_{Samples}$ for the integrator is defined by:

$$N_{Samples} = LM-ITIME * 8000$$

The level can be calculated by:

$$U_{dBm0} = 20 \times \log \left(LM_{Result} \times \frac{\pi}{2 \times K_{INT} \times N_{Samples}} \right) + 3.14$$

The result registers get frequently updated after an integration period, if bit LM-EN in register LMCR1 = 1. If the bit LM-ONCE in register LMCR1 is set to 1 then the integration is executed only once. To start again bit LM-EN has to be set from 0 to 1.

The levelmeter result can be transferred to the PCM/IOM-2 interface, depending on bit LM2PCM in register LMCR1.

Measurement of currents via ITAC

In order to do current measurements via pin ITAC, all feedback loops (IM-filters and TH-filters) should be disabled. To simplify the formulas, the programmable receive and transmit gain is disabled.

This is done by setting the following bits:

Register BCR4: AR-DIS = 1, AX-DIS = 1, TH-DIS = 1,
IM-DIS = 1, FRR-DIS = 1, FRX-DIS = 1

Register TSTR4: OPIM-AN = 1, OPIM-4M = 1

Register LMCR1: TEST-EN = 1

Preliminary
Operational Description

This setting results in a receive gain of 11.88 dB caused by the internal filters. Based on this a factor K_{AD} (analog to digital) can be defined:

$$K_{AD} = \frac{10^{\frac{\text{filter}_{AD}}{20}}}{V_{ADC}} = \frac{10^{\frac{11.88}{20}}}{1.2} = 3.272 \text{ V}^{-1}$$

Transversal current I_{RMS} measured at SLIC:

$$I_{RMS} = \frac{LM_{Result} \times K_{IT} \times \pi}{K_{AD} \times R_{ITAC} \times K_{INTAC} \times N_{Samples} \times 2 \times \sqrt{2}} = \frac{LM_{Result}}{K_{INTAC} \times N_{Samples}} \times 14.76 \text{ mA}$$

R_{ITAC}	Sense resistor for AC transversal current ($R_{IT1} + R_{IT2}$)	1150 Ω
K_{AD}	Constant factor from Analog to Digital	3.272 V^{-1}
V_{ADC}	Voltage at A/D converter referred to digital fullscale	1.2 V
K_{IT}	Value of the current divider for transversal current	50

In order not to overload the analog input, the maximum AC transversal current may not be higher than 9 mA rms.

Usage of Tone Generator as Signal Source

To simplify the formulas, the programmable receive and transmit gain is disabled.

This is done by setting the following bits:

Register BCR4: AR-DIS = 1, AX-DIS = 1, TH-DIS = 1,
IM-DIS = 1, FRR-DIS = 1, FRX-DIS = 1

Register TSTR4: OPIM-AN = 1, OPIM-4M = 1

Register LMCR1: TEST-EN = 1

The tone generator level is influenced by a factor K_{TG} which is set in the tone generator coefficients. The internal filter attenuation is 2.87 dB.

$$K_{DA} = V_{DAC} \times 10^{\frac{-2.87}{20}} \times \frac{\text{Trapez}}{\sqrt{2}} \times K_{AC,SLIC} = 1.2 \times 10^{\frac{-2.87}{20}} \times \frac{1.05}{\sqrt{2}} \times 6$$

Preliminary

Operational Description

K_{DA}	Constant factor from Digital to Analog	3.84 Vrms
$K_{AC,SLIC}$	Amplification factor of the SLIC	6
V_{DAC}	Voltage at D/A converter referred to digital fullscale	1.2 V
Trapez	Crestfactor of the trapazoidal signal	1.05

Output voltage between Tip and Ring:

$$V_{OUT} = K_{DA} * K_{TG}$$

The bytes below are valid for tone generator TG1 an a frequency of 1000 Hz.

CRAM:

- Address 0x38: 0x08
- Address 0x39: T11G/0
- Address 0x40: T13G/T12G
- Address 0x41: 0x05
- Address 0x42: 0xB3
- Address 0x43: 0x01

T11G, T12G and T13G are 4 bit nibbles which control the amplitude of the tone generator TG1.

Table 34 K_{TG} Setting Table

T11G	T12G	T13G	K_{TG}
8	9	1	7/8
8	0	8	1/2
8	1	8	1/4
8	:	8	:
8	5	8	1/64
8	6	8	1/128
8	7	8	1/256

4.8.2.7 Levelmeter Threshold

For the levelmeter result a threshold can be set. When the result exceeds the threshold then bit LM-THRES in register INTREG 2 is set to '1'. It is also possible to activate an interrupt when the LM-THRES bit changes by setting the bit LM-THM (levelmeter threshold mask bit) in register LMCR2 to '0'.

The levelmeter threshold can be calculated with DuSLICOS or taken from [Table 35](#).

CRAM:

Address 0x32: LMTH2/LMTH1

Address 0x33: 0/LMTH3

(LMTH1, LMTH2 and LMTH3 are 4 bit nibbles)

Table 35 Threshold Setting Table

LMTH1	LMTH2	LMTH3	Threshold
1	0	0	75.0 %
0	1	0	62.5 %
8	8	0	50.0 %
8	9	0	37.5 %
9	0	0	25.0 %
8	1	0	12.5 %
8	0	0	0.0 %

4.8.2.8 Current Offset Error Compensation

The current offset error caused by the current sensor inside the SLIC-E/-E2/-P can be compensated by programming the compensation registers OFR1 and OFR2 accordingly. The current offset error can be measured with the DC levelmeter. The following settings are necessary to accomplish this:

- The DuSLIC has to be set into the HIRT mode by setting the bits HIR and HIT in register BCR1 to 1.
In HIRT mode the line-drivers of the SLIC-E/-E2/-P are shut down and no resistors are switched to the line. As a matter of fact, no current is present in that mode, but the current sensor wrongly indicates a current flowing (current offset error).
- The DC path for I_{TRANS} current levelmeter must be selected by setting the LMSEL[3:0] bits in register LMCR2 to 0101 (see [Table 28](#)).
- The offset registers OFR1 and OFR2 must be set to 0000h.
- $I_{\text{Off-Err}}$ can be calculated like shown for " I_{TRANS} : any other mode" in [Table 31](#) (see also example below).

The current offset error can be eliminated by programming the offset registers OFR1 and OFR2 according to the inverse value of the measured current offset error.

Example:

$$K_{\text{INTDC}} = 1, N_{\text{Samples}} = 256, LM_{\text{Value}} = 0x0605 = 1541$$

$$LM_{\text{Result}} = \frac{LM_{\text{Value}}}{32768} = \frac{1541}{32768} = 0.047$$

$$I_{\text{off-Err}} = LM_{\text{Result}} \times \frac{79.66 \text{ mA}}{N_{\text{Samples}} \times K_{\text{INTDC}}} = 0.047 \times \frac{79.66 \text{ mA}}{256 \times 1} = 0.0146 \text{ mA}$$

$$\text{OFFSET} = -\frac{I_{\text{off-Err}}}{79.66 \text{ mA}} \times 32768 = -\frac{0.0146 \text{ mA}}{79.66 \text{ mA}} \times 32768 \approx -6 = 0xFFFFA$$

Short form:

$$\text{OFFSET} = -\frac{LM_{\text{Value}}}{N_{\text{Samples}} \times K_{\text{INTDC}}}$$

$$\text{OFR1} = \text{OFFSET-H} = 0xFF$$

$$\text{OFR2} = \text{OFFSET-L} = 0xFA$$

4.8.2.9 Loop Resistance Measurements

The DC loop resistance can be determined by supplying a constant DC voltage $V_{TR,DC}$ to the Ring- and Tip line and measuring the DC loop current via IT pin. The following steps are necessary to accomplish this:

- Program a certain ring offset voltage RO1, RO2, RO3 (see DuSLICOS DC Control Parameter 2/3).
- Select ring offset voltage RNG-OFFSET[1:0] in register LMCR3 either to 01, 10 or 11. If 00 is selected, the DC regulation would be still active and would not allow resistance measurement.
- Choose an operation mode, either Active High (ACTH) or Ring Pause.
- Select the DC path for levelmeter by setting the bits LM-SEL[3:0] in register LMCR2 to 0101 (DC current on IT).
- The transversal current can be determined by reading the levelmeter result registers LMRES1, LMRES2.
- Based on the known constant output voltage $V_{TR,DC}$ (DC voltage according to RNG-OFFSET[1:0]) and the measured I_{TRANS} current, the resistance can be calculated. It should be noted, that the calculated resistance includes also the onboard resistors R_{PROT} and R_{STAB} .

In order to increase the accuracy of the result, either the current offset can be compensated or the measurement can be done differentially. The latter one eliminates the current- and voltage offsets.

Figure 49 shows an example circuit for resistance measurement:

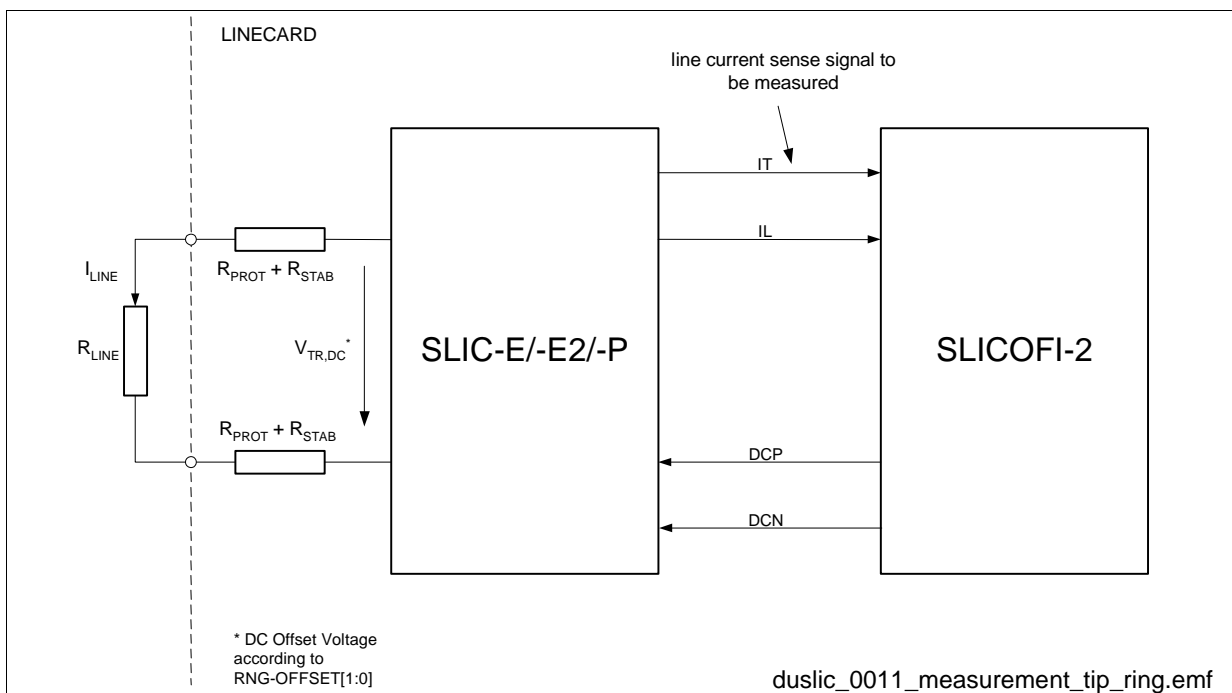


Figure 49 Example Resistance Measurement

Preliminary

Operational Description

Assumption:

- Loop resistance $R_{loop} = 1000 \Omega$; $R_{loop} = R_{LINE} + 2 \cdot R_{PROT} + 2 \cdot R_{STAB}$
- Ring offset $RO2 = 60 \text{ V}$ (CRAM coefficient set accordingly). Ring offset $RO2$ is selected by setting bits $RNG-OFFSET[1:0]$ in register $LMCR3$ to 10.
The exact value for the Ring offset voltage can be determined from the *.res result file generated by DuSLICOS during the calculation of the appropriate coefficients.
- Select Active High (ACTH) mode by setting the line mode command $CIDD/CIOP$ bits $M2, M1, M0$ to 010. In ACTH mode half of the ring offset voltage $RO2$ of e.g. 60 V will be present and applied to Ring and Tip.

Sequence to determine the loop resistance R_{loop} differentially:

- Select DC levelmeter by setting bits $LM-SEL[3:0]$ in register $LMCR2$ to 0101.
- Read levelmeter result registers $LMRES1, LMRES2$.
- Switch into reverse polarity mode by setting bit $REVPOL$ in register $BCR1$ to 1.
- Read levelmeter result registers $LMRES1, LMRES2$.

If the loop resistor connected between Ring and Tip is 1000Ω ($R_{LINE} + R_{PROT} + R_{STAB}$), the expected current will be 30 mA, because the actual voltage applied to Ring and Tip is 30 V. Considering the fact, that the current measurement in reverse polarity mode will also become inverted, the read results have to be added. The sum of both levelmeter results (normal- and reverse polarity) should therefore be 60 mA current difference.

Figure 50 shows the differential measurement method and the elimination of the offsets.

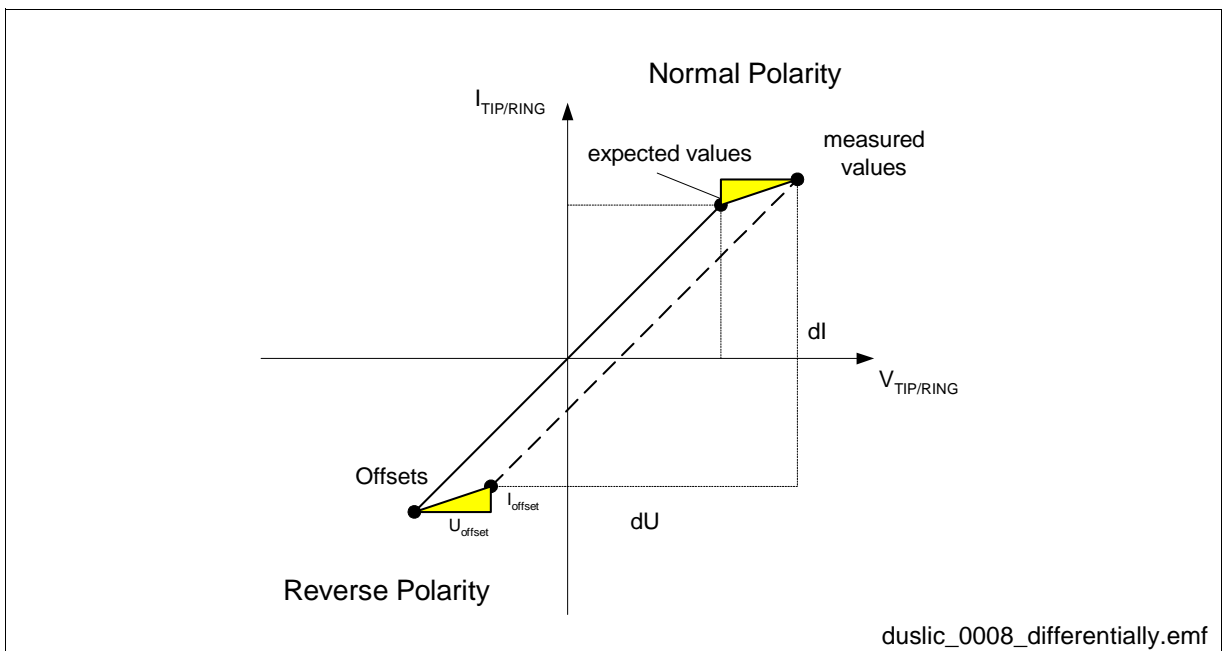


Figure 50 Differential Resistance Measurement

The following calculation shows the elimination of the voltage and current offset caused by output stage and current sensor. This differential measurement method both

Preliminary

Operational Description

eliminates the offsets caused by the SLIC-E/-E2/-P current sensor and the offset caused by the DC voltage output (Ring offset voltage).

Differential Resistance Calculation:

$$I_{\text{measure(normal)}} = \frac{V_{\text{TR,prog}} + V_{\text{offset}}}{R} + I_{\text{offset}}$$

$$I_{\text{measure(reverse)}} = \frac{-V_{\text{TR,prog}} + V_{\text{offset}}}{R} + I_{\text{offset}}$$

$$I_{\text{measure(normal)}} - I_{\text{measure(reverse)}} = \frac{2 \times V_{\text{TR,prog}}}{R}$$

$$R = \frac{2 \times V_{\text{TR,prog}}}{I_{\text{measure(normal)}} - I_{\text{measure(reverse)}}} = R_{\text{LINE}} + R_{\text{PROT}} + R_{\text{STAB}}$$

4.8.2.10 Line Resistance Tip/GND and Ring/GND

The DuSLIC offers the modes of setting either the Tip- or the Ring line to high impedance or even both by setting the bits HIR and HIT in register BCR1 accordingly. While one of both lines is set to high impedance, the other line is still active and able to supply a known voltage. The transversal and/or longitudinal current can be measured and the line impedance can be calculated.

Because of one line (Tip or Ring) being high impedance, there is only current flowing in either Tip or Ring line. This causes the calculated current (according [Table 31](#)) to be half the actual value. Therefore in either HIR or HIT mode the calculated current has to be multiplied by a factor of 2.

4.8.2.11 Capacitance Measurements

Capacitance measurements with the DuSLIC are accomplished by using the integrated ramp generator function. The ramp generator is capable of applying a voltage ramp to the Ring- and Tip line with the flexibility of:

- Programmable slopes from 30 V/s to 2000 V/s
- Programmable start- and stop DC voltage offsets via ring offsets
- Programmable start time of the voltage ramp after enabling the levelmeter function

Figure 51 shows the voltage ramp and the voltage levels at the Ring and Tip line.

The slope of the ramp can be programmed (refer to CRAM coefficients). The ring offset voltages RO1, RO2 and RO3 might be used as start and stop voltages. The ramp starts for instance at RO1 and stops at RO2. The current can be calculated as $i(t) = C_{\text{Measure}} \cdot dU/dt$, where dU/dt is the slope and $i(t)$ is the current which will be measured by the levelmeter. In order to measure accurate values, the integration has to start after the current has settled to a constant value. This can be calculated by the time constant of the ringer load. It is recommended to set the programmable ring generator delay higher than 3 times the time constant of the ringer load. When there is a resistor in parallel to the capacitor (e.g. leakage), it is recommended to measure symmetrically around the voltage zero crossing. This can be achieved by programming the ring generator delay appropriately (see DuSLICOS DC Control Parameter 2/3). The integration time for the current measurement is determined by the ring frequency (refer to CRAM coefficients, see **Table 30**). After the integration time the measurement automatically stops only when the bit LM-ONCE in register LMCR1 is set. Otherwise the levelmeter would continuously measure the current even if the ramp is finished and turned into its constant voltage position, i.e., that because of the constant voltage no current will flow.

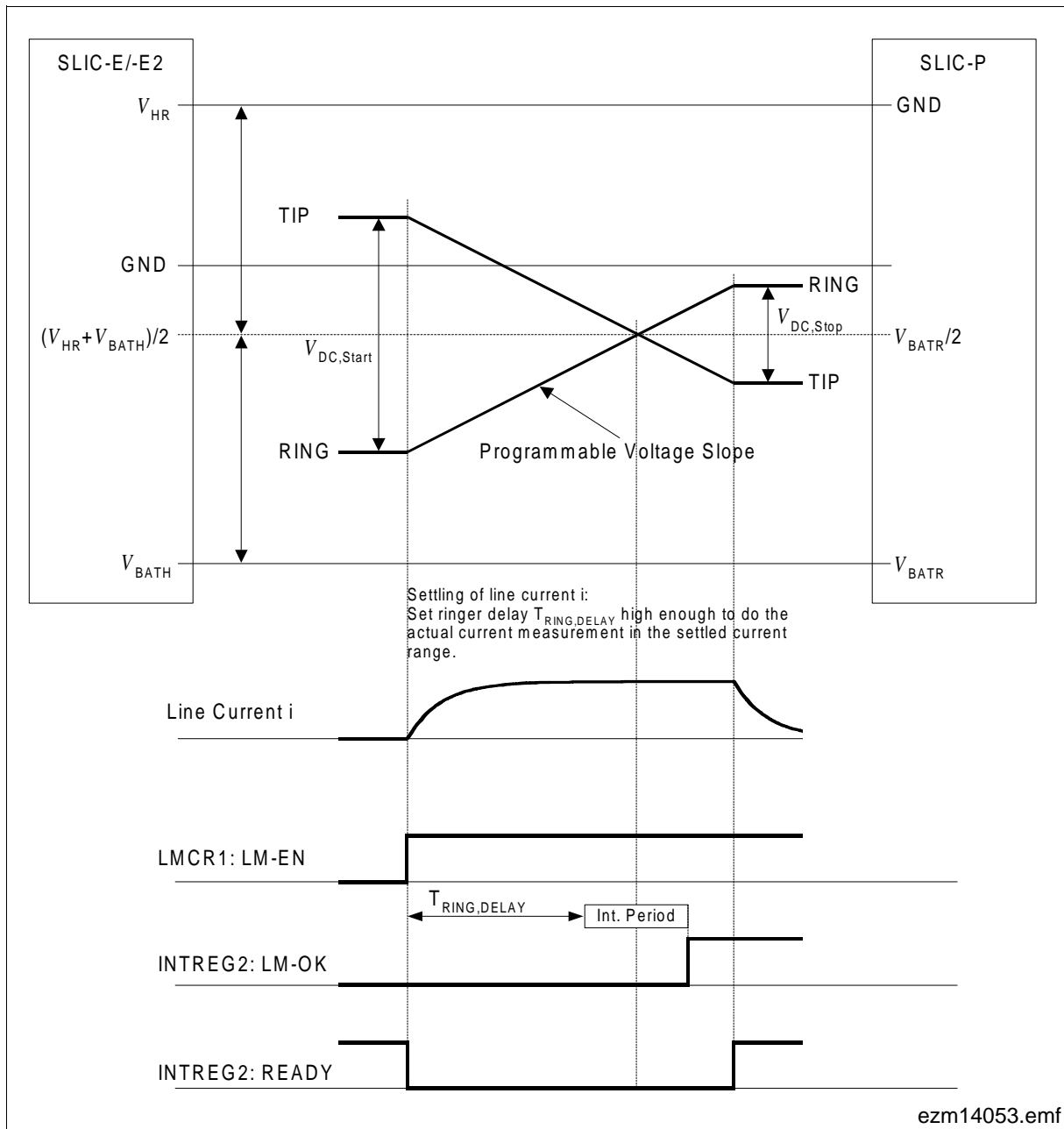


Figure 51 Capacitance Measurement

Preliminary
Operational Description
Example:

- Assumptions:
 - Capacitance as object to be determined: $C_{\text{Measure}} = 9.8 \mu\text{F}$
 - Resistor R_{Measure} in series to C_{Measure} : $R_{\text{Measure}} = 6930 \Omega$
 - $\tau = R_{\text{Measure}} * C_{\text{Measure}} = 67.9 \text{ ms}$
- Calculating parameter values:
 - Choose Ring Offset voltage 1: $RO1 = 70 \text{ V}$ (Start voltage on Ring/Tip where the ramp should start; programmed by ring offset voltage RO1)
 - Choose Ring Offset voltage 2: $RO2 = -30 \text{ V}$ (End voltage on Ring/Tip where the ramp should stop; programmed by ring offset voltage RO2)
 - Choose slope of ramp while testing: $dU/dt = 200 \text{ V/s}$
 - Time from start to stop of the ramp from RO1 to RO2 is $100 \text{ V}/200 \text{ V/s} = 500 \text{ ms}$
 - Time from start to zero cross is $70 \text{ V}/200 \text{ V/s} = 350 \text{ ms}$
 - Choose Integration time: $T_I = 1/f_{\text{RING}} = 1/100 \text{ Hz} = 10 \text{ ms}$
 - Measure around zero cross → from 345 ms to 355 ms
 - $T_{\text{RING,DELAY}}$ is programmed to 345 ms
 - Check ring generator delay: $T_{\text{RING,DELAY}} > 3 * \tau = 204 \text{ ms} \rightarrow \text{OK!}$
 - Expected current $i = C_{\text{Measure}} * dU/dt = 1.96 \text{ mA}$
 - Choose current for LM off-hook threshold $I_{\text{LM,DC}} = 2 \text{ mA}$
 Note: A current of 2 mA will result in $LM_{\text{Result}} = 0.5$ (half of the fullscale value)

Program Sequence:

- Set the following parameter values:

Parameter	Symbol & Value	DuSLICOS
Slope of ramp while testing	$dU/dt = 200 \text{ V/s}$	DC Control Parameter 3/3
Ring frequency	$f_{\text{RING}} = 100 \text{ Hz}$	DC Control Parameter 2/3
Ring generator delay	$T_{\text{RING,DELAY}} = 345 \text{ ms}$	DC Control Parameter 2/3
Ring offset voltage 1	$RO1 = 70 \text{ V}$	DC Control Parameter 2/3
Ring offset voltage 2	$RO2 = -30 \text{ V}$	DC Control Parameter 2/3
Current for LM off-hook threshold	$I_{\text{LM,DC}} = 2 \text{ mA}$	DC Control Parameter 2/3

- Integration time $T_I = 1/f_{\text{RING}} = 1/100 \text{ Hz} = 10 \text{ ms}$
- Select the DC levelmeter by setting bits LM-SEL[3:0] in register LMCR2 to 0101
- Execute the levelmeter only once by setting bit LM-ONCE in register LMCR1 to 1.
- Apply Ring Offset voltage RO1 to Ring and Tip line by setting bits RNG-OFFSET[1:0] in register LMCR3 to 01.
- Enable the ramp generator by setting bit RAMP-EN in register LMCR2 to 1.

Preliminary

Operational Description

- Apply Ring Offset voltage RO2 to Ring and Tip line by setting bits RNG-OFFSET[1:0] in register LMCR3 to 10.
- Enable the levelmeter by setting bit LM-EN in register LMCR1 to 1.
 - Comment: The voltage ramp starts at RO1 and ramps up/down until RO2 is achieved. After the integration time, the result will be stored within LMRES1 and LMRES2 registers.
- Read the result registers LMRES1 and LMRES2

The actual current $I_{C_{Measure}}$ amounts to:

$$I_{C_{Measure}} = 2 \times I_{LM, DC} \times LM_{Result}$$

The capacitance $C_{Measure}$ calculates as:

$$C_{Measure} = \frac{I_{C_{Measure}}}{\frac{dU}{dt}}$$

Example:

$$LM_{Value} = 0x3AF2 = 15090$$

$$LM_{Result} = 0.4605$$

$$I_{C_{Measure}} = 2 \times 2 \text{ mA} \times 0.4605 = 1.842 \text{ mA}$$

$$C_{Measure} = 1,842 \text{ mA} / 200 \text{ V/s} = 9.21 \text{ }\mu\text{F}$$

4.8.2.12 Line Capacitance Measurements Ring and Tip to GND

The voltage ramp can be applied to either line, whereas the other line is set to high impedance by setting bits HIR and HIT in register BCR1 accordingly. That way capacitance measurements from Ring and Tip to GND may be accomplished.

Because of one line being high impedance, the actual line current will be twice the calculated one (multiplication by a factor of 2 necessary).

4.8.2.13 Foreign- and Ring Voltage Measurements

The DuSLIC supports two user-programmable input/output pins (IO3, IO4) which can be used for measuring external voltages. If the pins IO3 and/or IO4 are led properly over a voltage divider to the Ring- and Tip wire, foreign voltages from external voltage sources supplied to the lines can be measured on either pin, even a differential measurement will be supported (IO4-IO3). The selection of which input information shall be taken for the measurement is done via bits LM-SEL[3:0] in configuration register LMCR2 ([Table 36](#)).

Table 36 Measurement Input Selection

LM-SEL[3:0] in register LMCR2	Measurement Input
1010	Voltage on IO3
1011	Voltage on IO4
1111	Voltage IO4 – IO3

The measurement is accomplished by the DC levelmeter function.

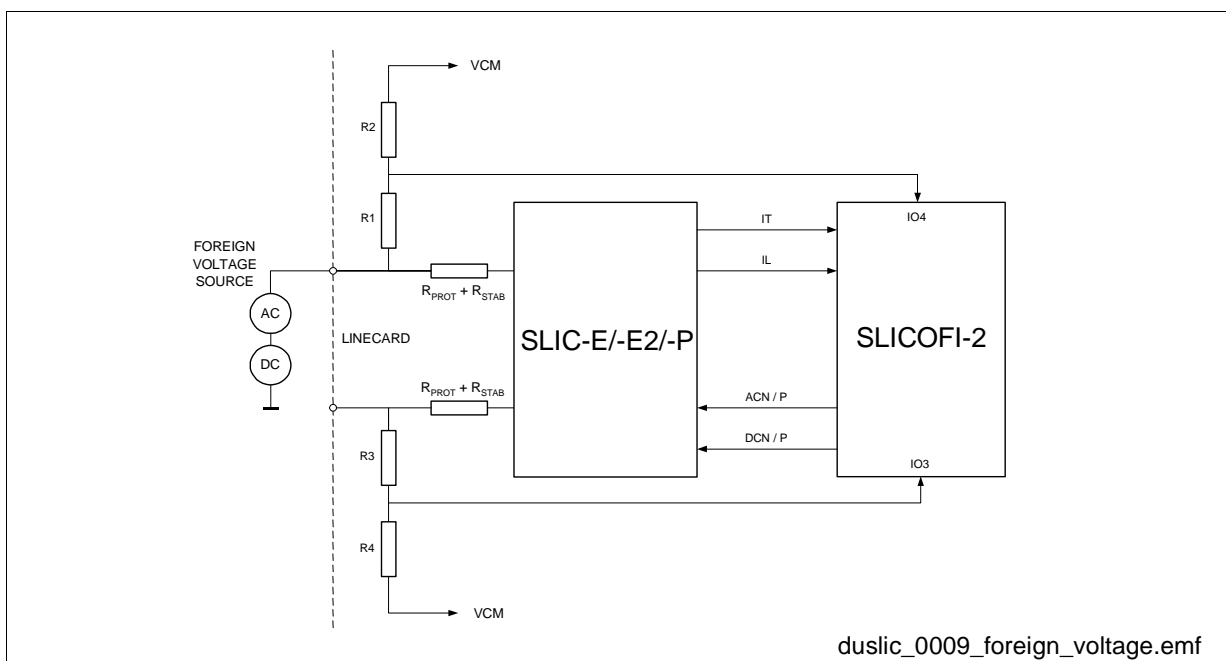


Figure 52 Foreign Voltage Measurement Principle

Figure 52 shows the connection and external resistors used for supporting foreign voltage measurements at the Ring and Tip lines.

Since the pins IO3 and IO4 support analog input functionality and are limited to a certain voltage range of $V_{VCM} \pm 1.0 \text{ V}$ (typ. $1.5 \text{ V} \pm 1.0 \text{ V}$), the values for the voltage divider has to be determined according to following conditions:

- Maximum level of the expected foreign voltages
- Voltage range of IO3 and IO4 = $V_{VCM} \pm 1.0 \text{ V}$

The voltage on IO3 or IO4 is measured with a reference to VCM. Hence an input voltage of V_{VCM} on either input pin would result into zero output value. Whereas a voltage of $V_{VCM} + 1 \text{ V}$ would result into the negative full scale value, $V_{VCM} - 1 \text{ V}$ would result into the positive full scale value respectively. For that reason the voltage divider has to be referenced to VCM. The unknown foreign voltage $V_{FOREIGN}$ can be calculated as:

Preliminary

Operational Description

$$V_{\text{FOREIGN}} = V_{\text{INPUT}} \times \frac{R1 + R2}{R2} + V_{\text{VCM}}$$

$$V_{\text{INPUT}} = V_{\text{IOx}} - V_{\text{VCM}} \text{ (refer to Table 31)}$$

V_{IOx} = Voltage on pins IOx (e.g. pins IO3, IO4)

The resistor directly connected to either Ring or Tip (R1, R3) should be high enough so that the loop impedance will not be affected by them. Several MΩ s, e.g. 10 MΩ would be a reasonable value. The following example illustrates the potential voltage range that can be measured by choosing the values as:

- R1 = R3 = 10 MΩ
- R2 = R4 = 47 kΩ

The values given for the maximum and minimum voltage levels are:

- $V_{\text{VCM}} = 1.5 \text{ V}$
- $V_{\text{INPUT,max}} = 1 \text{ V} \rightarrow V_{\text{IOx,max}} = 2.5 \text{ V}$
- $V_{\text{INPUT,min}} = -1 \text{ V} \rightarrow V_{\text{IOx,min}} = 0.5 \text{ V}$

$$V_{\text{FOREIGN,max}} = V_{\text{INPUT,max}} \times \frac{R1 + R2}{R2} + V_{\text{VCM}} = 215 \text{ V}$$

$$V_{\text{FOREIGN,min}} = V_{\text{INPUT,min}} \times \frac{R1 + R2}{R2} + V_{\text{VCM}} = -212 \text{ V}$$

The voltage range would span from 215 V to – 212 V.

In order to measure small input voltages on IO3/IO4 more accurately the user might consider to enable the integration function (see Figure 45) by setting bit LM-EN in register LMCR1 to 1.

In case of measuring the ring voltage supplied to either Ring or Tip or even both (balanced ringing) pins via IO3 and IO4, the rectifier can be enabled by setting bit LM-RECT in register LMCR2 to 1.

4.9 Signal Path and Test Loops

The following figures show the main AC and DC signal path and the integrated analog and digital loops of DuSLIC-E/-E2/-P, DuSLIC-S and DuSLIC-S2.

Please note the interconnections between the AC and DC pictures of the respective chip set.

4.9.1 Test Loops DuSLIC-E/-E2/-P

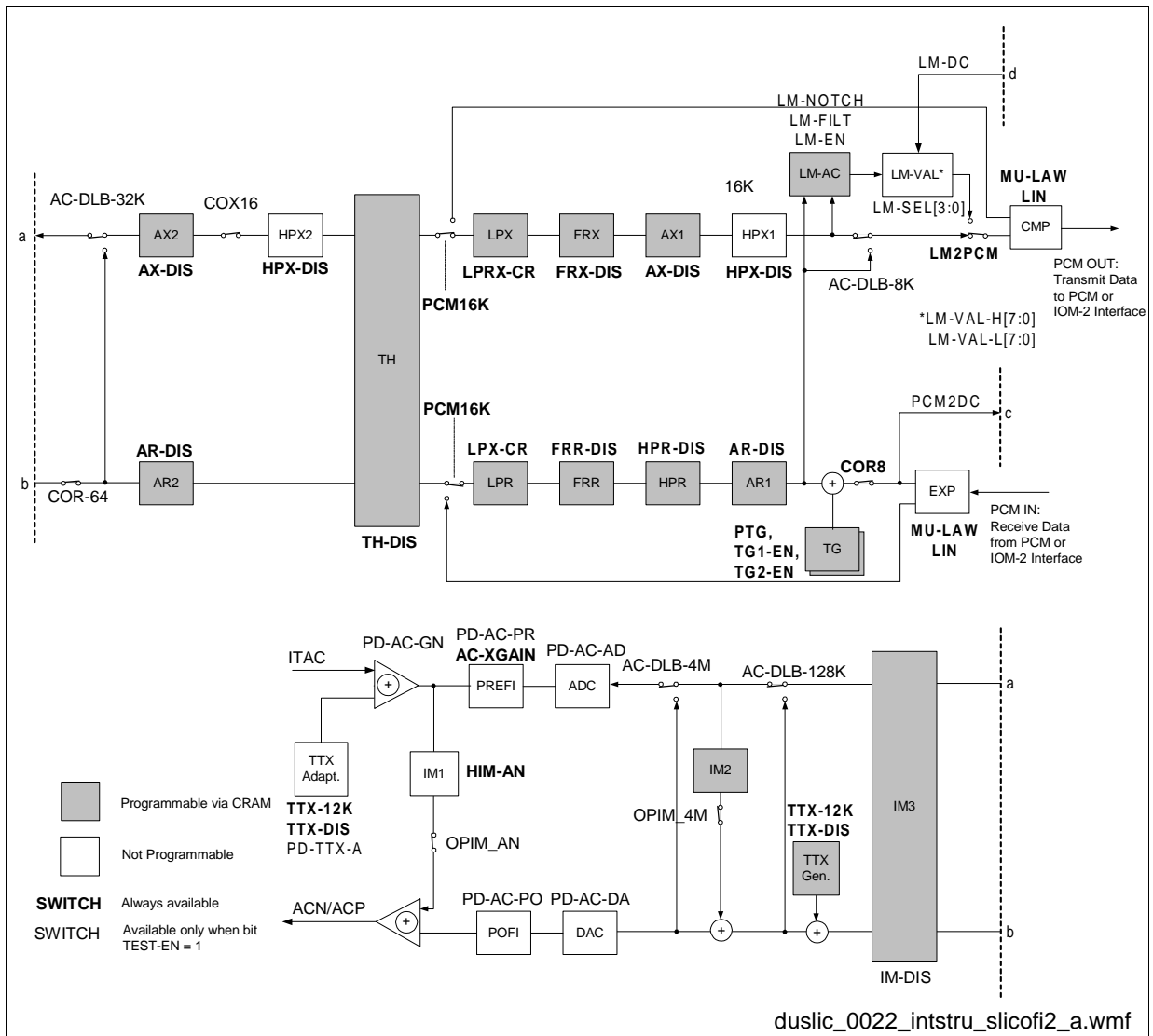


Figure 53 AC Test Loops DuSLIC-E/-E2/-P

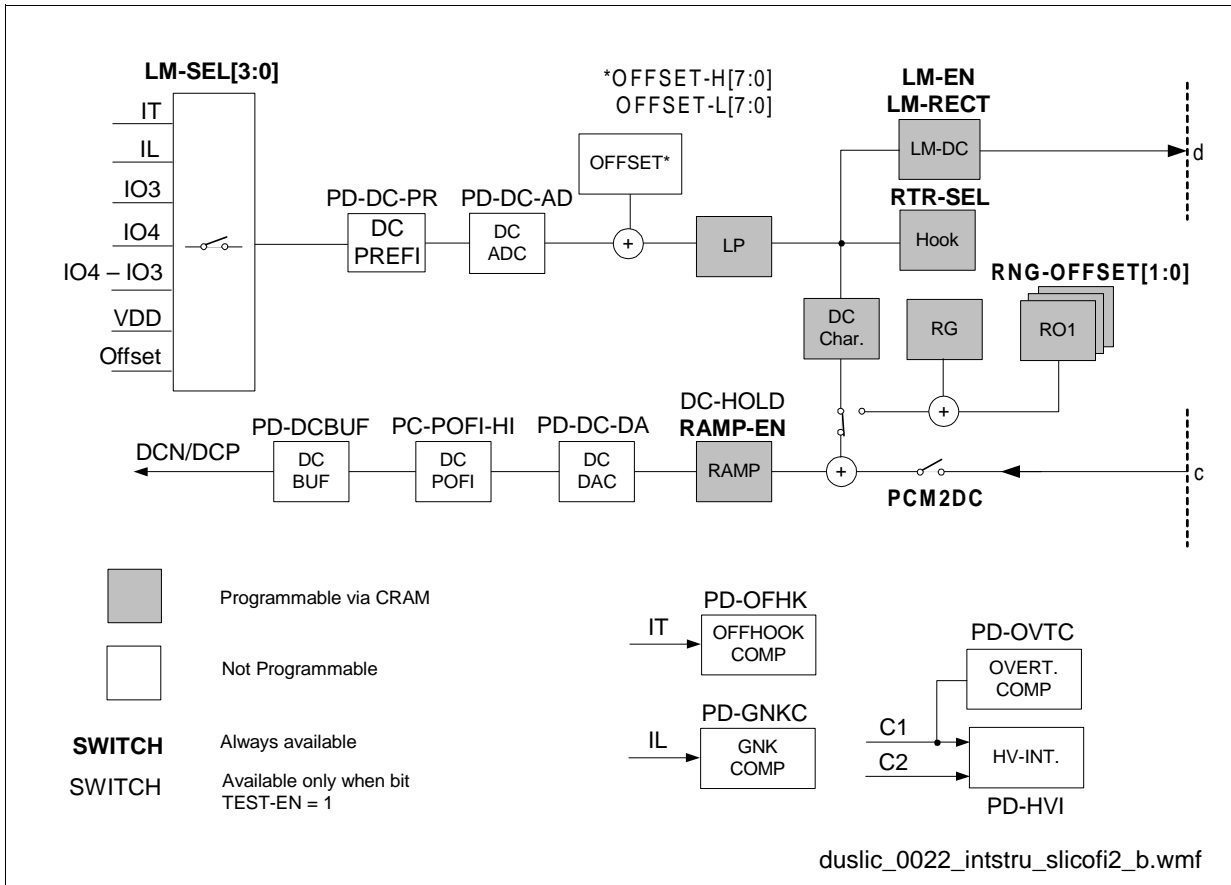


Figure 54 DC Test Loops DuSLIC-E/-E2/-P

4.9.2 Test Loops DuSLIC-S/S2

The AC test loops for DuSLIC-S (Figure 55) and DuSLIC-S2 (Figure 56) are different since Teletax (TTX) is not available with SLICOFI-2S2. The DC test loops are identical.

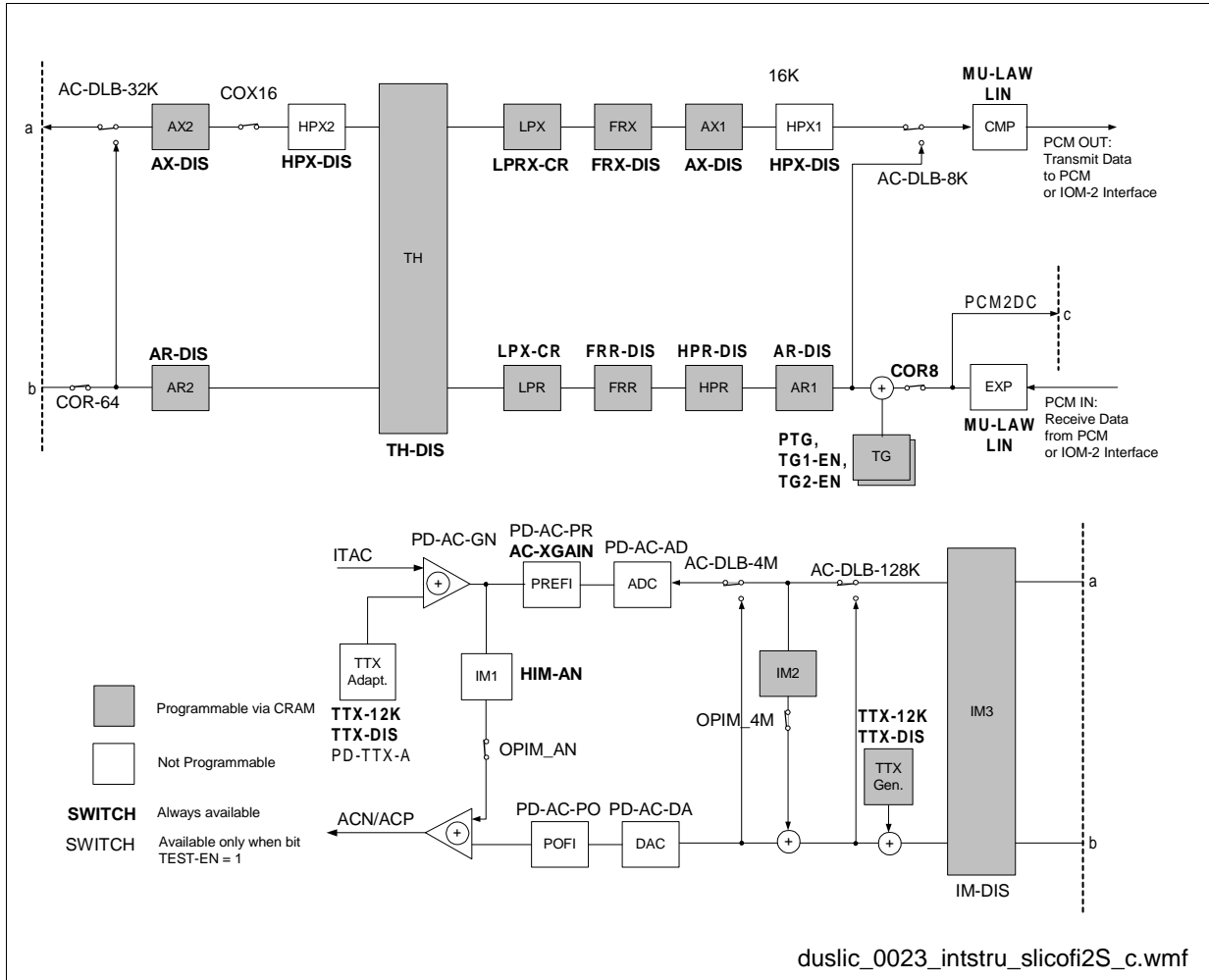


Figure 55 AC Test Loops DuSLIC-S

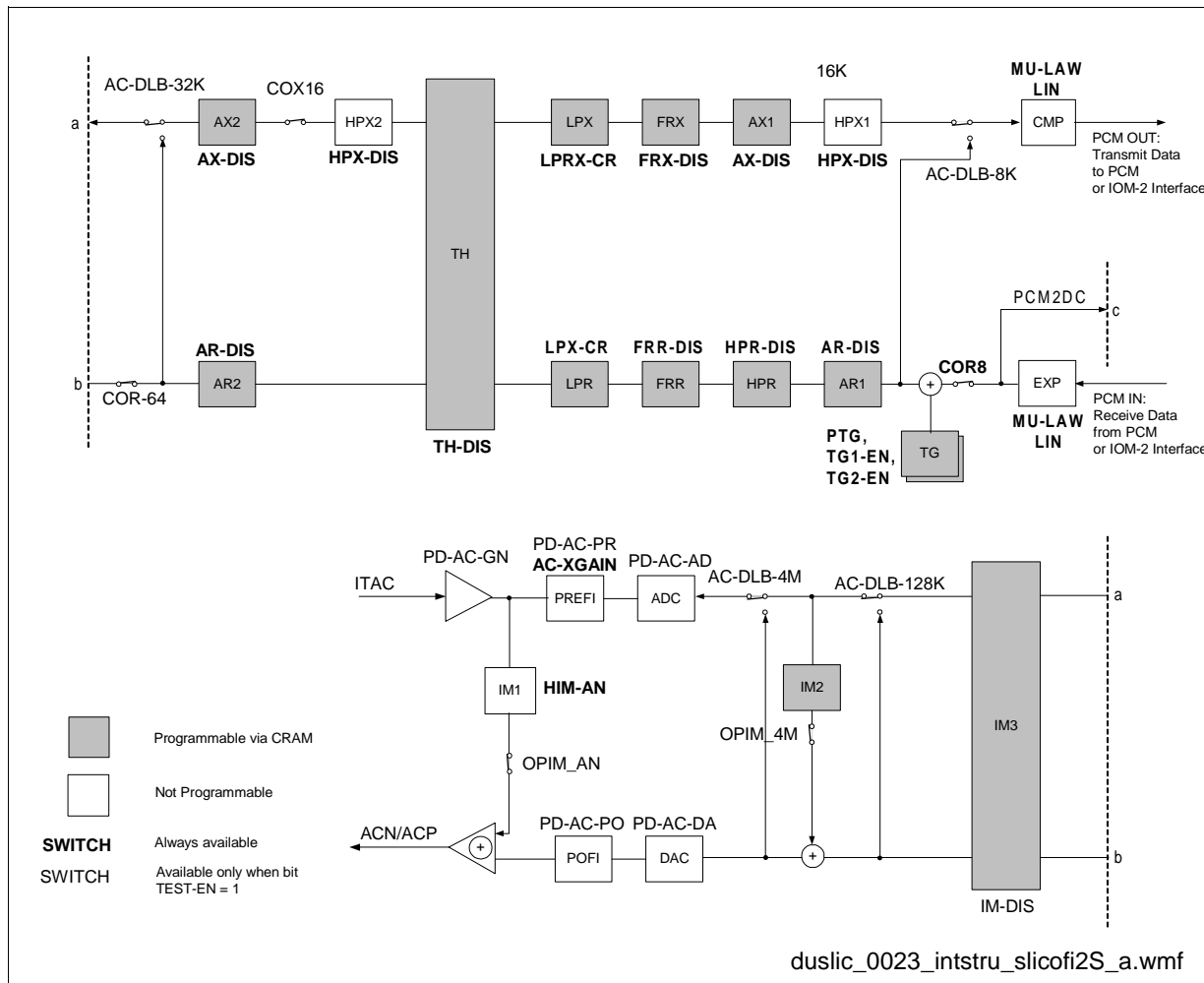


Figure 56 AC Test Loops DuSLIC-S2

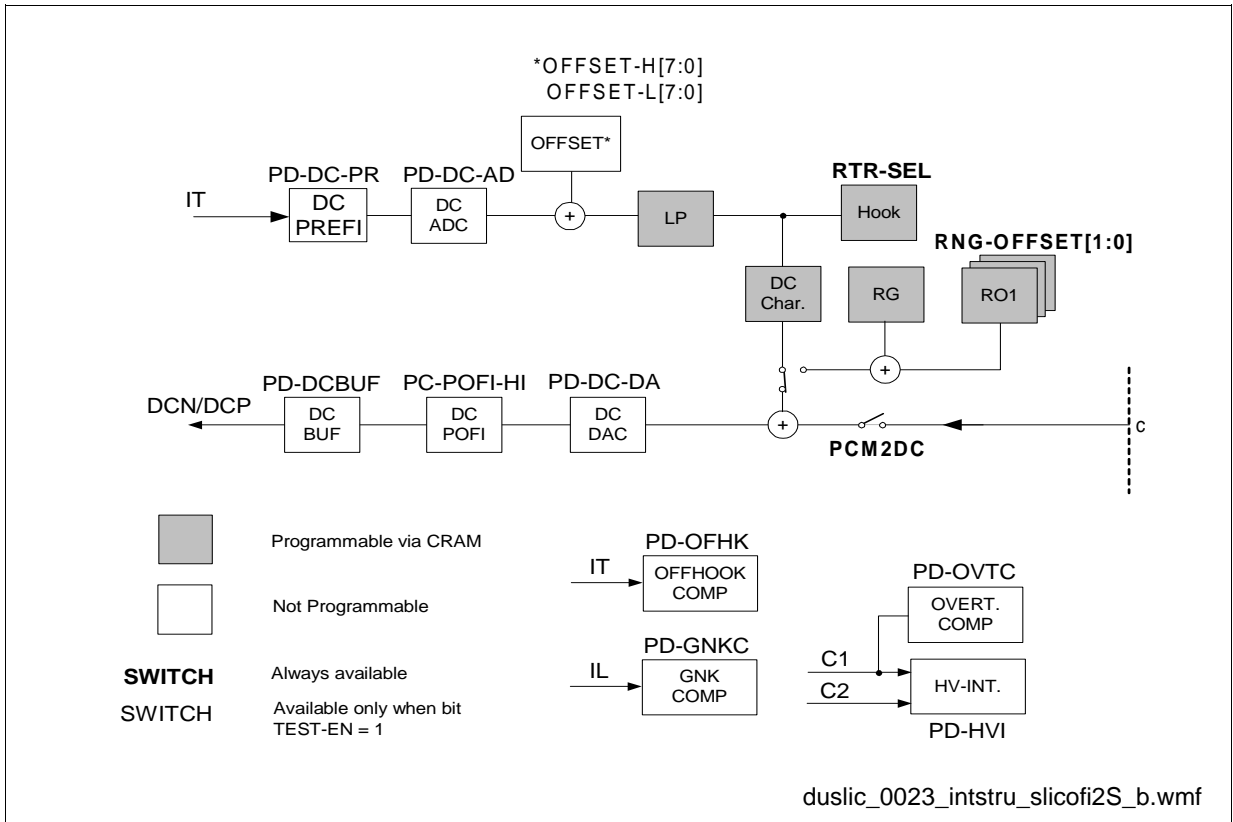


Figure 57 DC Test Loops DuSLIC-S/-S2

4.10 Caller ID Buffer Handling of SLICOFI-2

This chapter intends to describe the handling of the caller ID buffer and the corresponding handshake bits in the interrupt registers.

Programming Sequence

In order to send a caller ID information over the telephone line the following sequence should be programmed between the first and the second ring burst. The initialization part of the coefficients in the POP registers 43h to 4Ah must be done prior to that sequence.

1. Enable the extended feature DSP in register XCR (EDSP-EN = 1)
2. Enable the caller ID sender feature in register BCR5 (CIS-EN = 1)
3. Wait for an interrupt.
4. Read out all 4 interrupt registers to serve the interrupt and check the CIS-REQ bit.
5. If this bit is set, send at least BRS + 2 bytes (see POP register CIS-BRS) of caller ID data but not more than 48 bytes to the caller ID sender buffer register CIS-DAT.
6. Wait for the next interrupt and check again the CIS-REQ bit.
7. If this bit is set, send the next data to the caller ID-data buffer but not more than (48 – BRS) bytes. CIS-REQ bit gets reset to zero, if the data buffer is filled again above the Caller ID sender buffer request size (BRS).
8. Repeat steps 6 and 7 as long as there is data to be sent.
9. Right after sending the last data byte to the caller ID sender buffer, set the bit CIS-AUTO to 1 and the bit CIS-EN to 0. After processing the last bit the caller ID sender will stop automatically and set the CIS-ACT bit in INTREG4 to zero. No more CIS interrupt will be generated until the caller ID sender will be enabled again (interrupt bits: CIS-BOF, CIS-BUF and CIS-REQ).

The end of the CID transmission can also be controlled by not setting CIS-AUTO and leaving CIS-EN at one. If the caller ID buffer gets empty, an interrupt is generated to indicate buffer underflow (CIS-BUF). If CIS-BUF is set, set CIS-EN to zero with at least 1 ms delay, in order to allow to send the last bit of caller ID data.

In case of errors in the handling of the CID data buffer CIS-BUF (buffer underflow) and CIS-BOF (buffer overflow) indicate these errors. Please stop CID transmission in any of these cases since unpredictable results may occur.

Note: CID data will be sent out LSB first

If CIS-FRM is set to one: seizure and mark bits are generated automatically (according to the settings of CIS-SEIZ-H/L and CIS-MARK-H/L) as well as start and stop bits for every byte

5 Interfaces

The DuSLIC connects the analog subscriber to the digital switching network by two different types of digital interfaces to allow for the highest degree of flexibility in different applications:

- PCM interface combined with a serial microcontroller interface
- IOM-2 interface.

The $\overline{\text{PCM/IOM-2}}$ pin selects the interface mode.

$\overline{\text{PCM/IOM-2}} = 0$: The IOM-2 interface is selected.

$\overline{\text{PCM/IOM-2}} = 1$: The PCM/ μC interface is selected.

The analog TIP/RING interface connects the DuSLIC to the subscriber.

5.1 PCM Interface with a Serial Microcontroller Interface

In PCM/ μC interface mode, voice and control data are separated and handled by different pins of the *SLICOFI-2x*. Voice data are transferred via the PCM highways while control data are using the microcontroller interface.

5.1.1 PCM Interface

The serial PCM interface is used to transfer A-law or μ -law-compressed voice data. In test mode, the PCM interface can also transfer linear data. The eight pins of the PCM interface are used as follows (two PCM highways):

PCLK:	PCM Clock, 128 kHz to 8192 kHz
FSC:	Frame Synchronization Clock, 8 kHz
DRA:	Receive Data Input for PCM Highway A
DRB:	Receive Data Input for PCM Highway B
DXA:	Transmit Data Output for PCM Highway A
DXB:	Transmit Data Output for PCM Highway B
$\overline{\text{TCA}}$:	Transmit Control Output for PCM Highway A, Active low during transmission
$\overline{\text{TCB}}$:	Transmit Control Output for PCM Highway B, Active low during transmission

The FSC pulse identifies the beginning of a receive and transmit frame for both channels. The PCLK clock signal synchronizes the data transfer on the DXA (DXB) and DRA (DRB) lines. On all channels, bytes are serialized with MSB first. As a default setting, the rising edge indicates the start of the bit, while the falling edge is used to buffer the contents of the received data on DRA (DRB). If double clock rate is selected (PCLK

clock rate is twice the data rate), the first rising edge indicates the start of a bit, while, by default, the second falling edge is used to buffer the contents of the data line DRA (DRB).

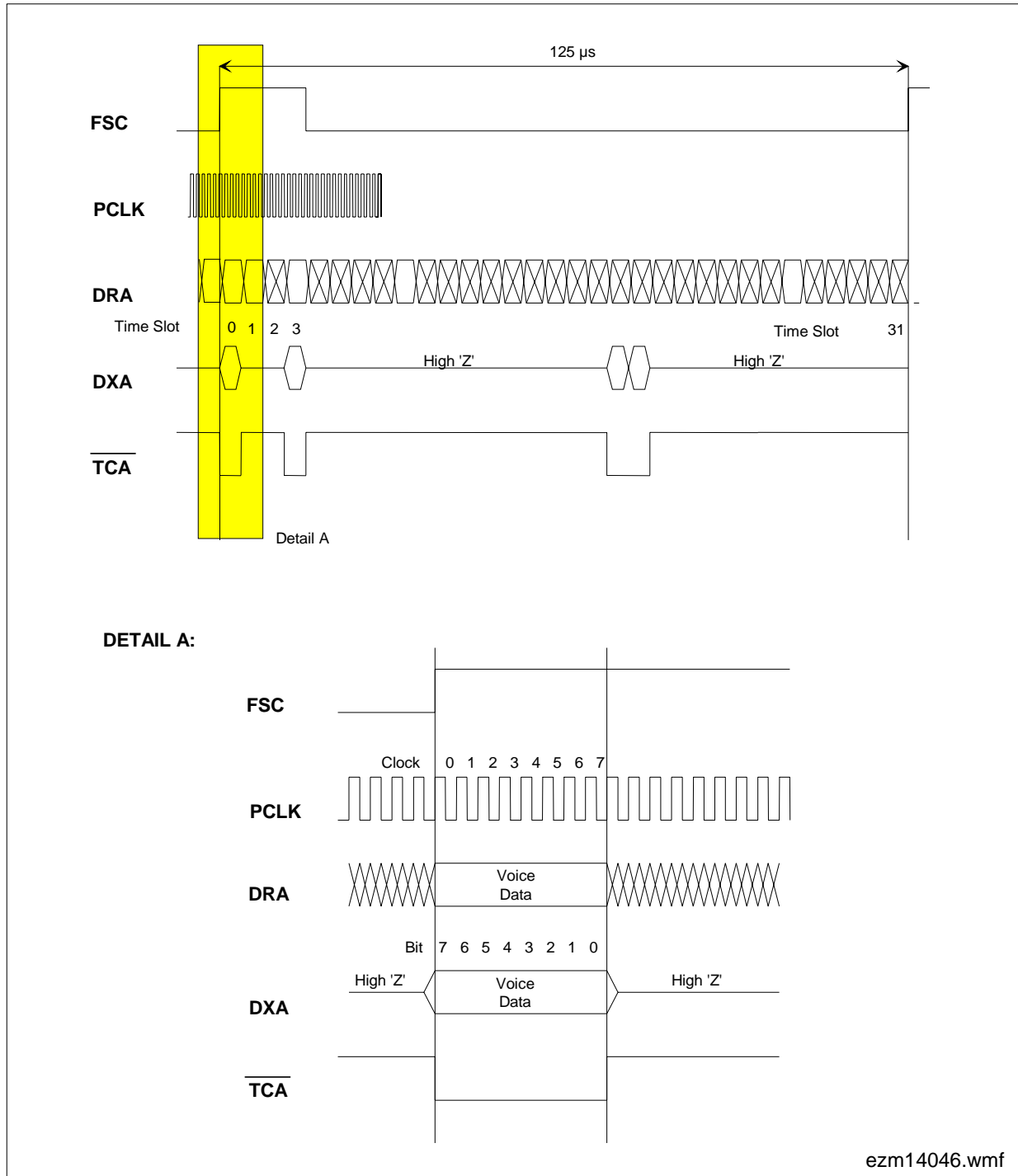


Figure 58 General PCM Interface Timing

The data rate of the interface can vary from 2*128 kbit/s to 2*8192 kbit/s (two highways). A frame may consist of up to 128 time slots of 8 bits each. The time slot and PCM

Preliminary
Interfaces

highway assignment for each DuSLIC channel can be programmed. Receive and transmit time slots can also be programmed individually.

When DuSLIC is transmitting data on DXA (DXB), pin \overline{TCA} (\overline{TCB}) is activated to control an external driving device.

The DRA/B and DXA/B pins may be connected to form a bidirectional data pin for special purposes, e.g., for the Serial Interface Port (SIP) with the Subscriber Line Data (SLD) bus. The SLD approach provides a common interface for analog or digital per-line components. For more details, please see the "ICs for Communications"¹⁾ User's Manual available from Infineon Technologies on request.

Table 37 shows PCM interface examples; other frequencies (e.g., 1536 kHz) are also possible.

Table 37 *SLICOFI-2x* PCM Interface Configuration

Clock Rate PCLK [kHz]	Single/Double Clock [1/2]	Time Slots [per highway]	Data Rate [kbit/s per highway]
128	1	2	128
256	2	2	128
256	1	4	256
512	2	4	256
512	1	8	512
768	2	6	384
768	1	12	768
1024	2	8	512
1024	1	16	1024
2048	2	16	1024
2048	1	32	2048
4096	2	32	2048
4096	1	64	4096
8192	2	64	4096
8192	1	128	8192
f	1	f/64	f
f	2	f/128	f/2

Valid PCLK clock rates are: $f = n \times 64$ kHz ($2 \leq n \leq 128$)

¹⁾ Ordering No. B115-H6377-X-X-7600, published by Infineon Technologies.

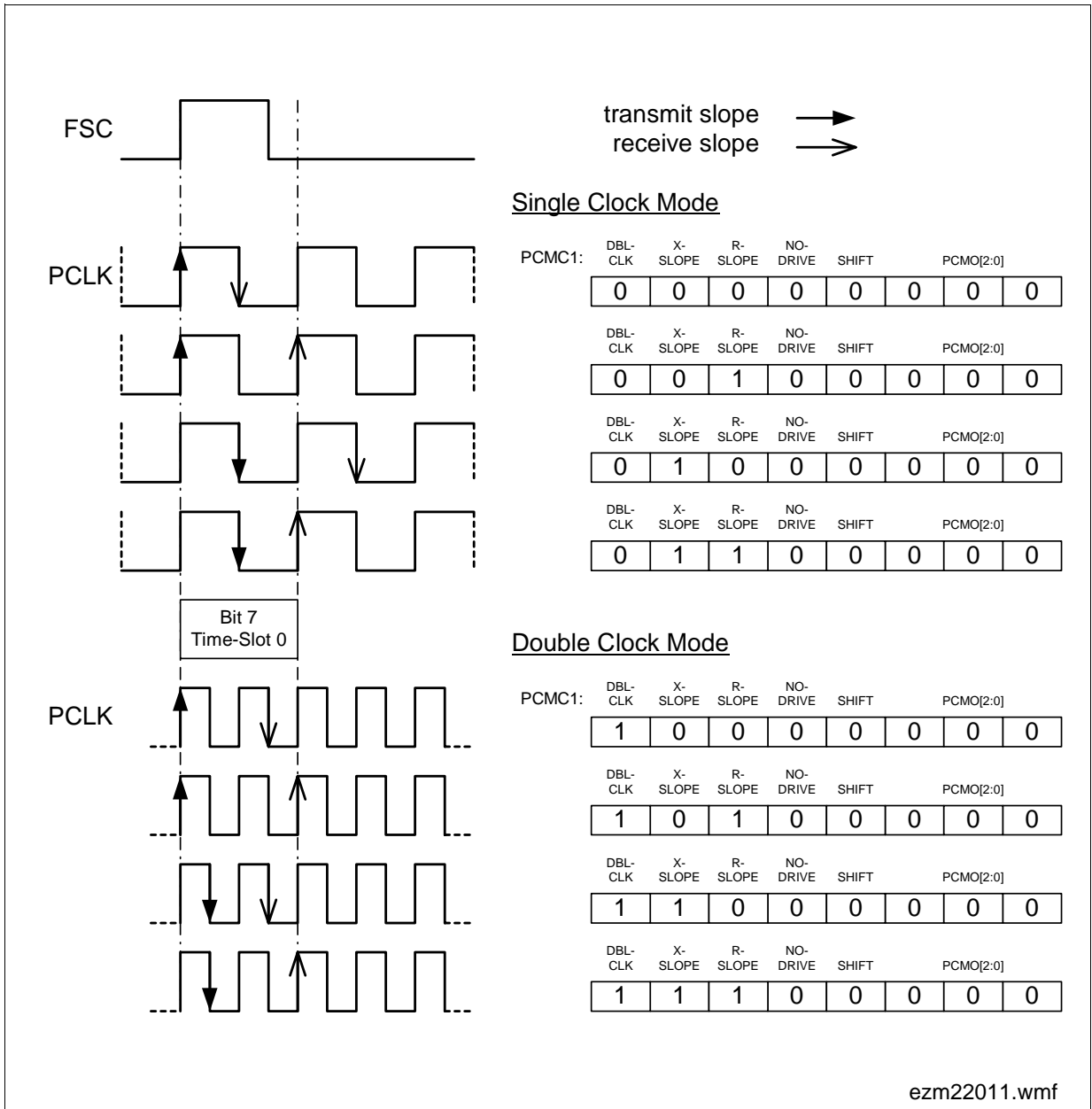


Figure 59 Setting of Slopes in Register PCMC1

5.1.2 Control of the Active PCM Channels

The *SLICOFI-2x* offers additional functionality on the PCM interface including three-party conferencing and a 16 kHz sample rate. Five configuration bits control, together with the PCM configuration registers, the activation of the PCM transmit channels. For details of the different functions see [Chapter 6.2](#).

Table 38 gives an overview of the data transmission configuration of the PCM channels. X1L is used only when linear data are transmitted. In this case the time slot for X1 is defined by the number X1-TS from the PCMX1 register. The time slot for X1L is defined by the number X1-TS + 1.

Table 38 Active PCM Channel Configuration Bits

Control Bits					Transmit PCM Channel				
PCMX-EN	CONF-EN	CONF-X-EN	PCM16K	LIN	X1	X1L	X2	X3	X4
0	0	0	–	–	–	–	–	–	–
1	0	0	0	0	PCM	–	–	–	–
1	0	0	0	1	HB	LB	–	–	–
0	1	0	–	–	–	–	PCM	PCM	–
1	1	0	0	0	PCM	–	PCM	PCM	–
1	1	0	0	1	HB	LB	PCM	PCM	–
0	0	1	–	–	–	–	PCM	PCM	PCM
1	0	1	0	0	PCM	–	PCM	PCM	PCM
1	0	1	0	1	HB	LB	PCM	PCM	PCM
0	1	1	–	–	–	–	PCM	PCM	PCM
1	1	1	0	0	PCM	–	PCM	PCM	PCM
1	1	1	0	1	HB	LB	PCM	PCM	PCM
1	–	–	1	0	DS1	–	–	DS2	–
1	–	–	1	1	HB1	–	LB1	HB2	LB2

*Note: PCM means PCM-coded data (A-law / μ -law)
 HB1, HB2, LB1, LB2 indicate the high byte, low byte of linearly transmitted data for an 8 kHz (16 kHz) sample rate.
 Modes in rows with gray background are for testing purposes only.*

5.1.3 Serial Microcontroller Interface

The microcontroller interface consists of four lines: \overline{CS} , DCLK, DIN and DOUT.

- \overline{CS} A synchronization signal starting a read or write access to *SLICOFI-2x*.
- DCLK A clock signal (up to 8.192 MHz) supplied to *SLICOFI-2x*.
- DIN Data input carries data from the master device to the *SLICOFI-2x*.
- DOUT Data output carries data from *SLICOFI-2x* to a master device.

There are two different command types. Reset commands have just one byte. Read/write commands have two command bytes with the address offset information located in the second byte.

A write command consists of two command bytes and the following data bytes. The first command byte determines whether the command is read or write, how the command field is to be used, and which DuSLIC channel (A or B) is written. The second command byte contains the address offset.

A read command consists of two command bytes written to DIN. After the second command byte is applied to DIN, a dump-byte consisting of '1's is written to DOUT. Data transfer starts with the first byte following the 'dump-byte'.

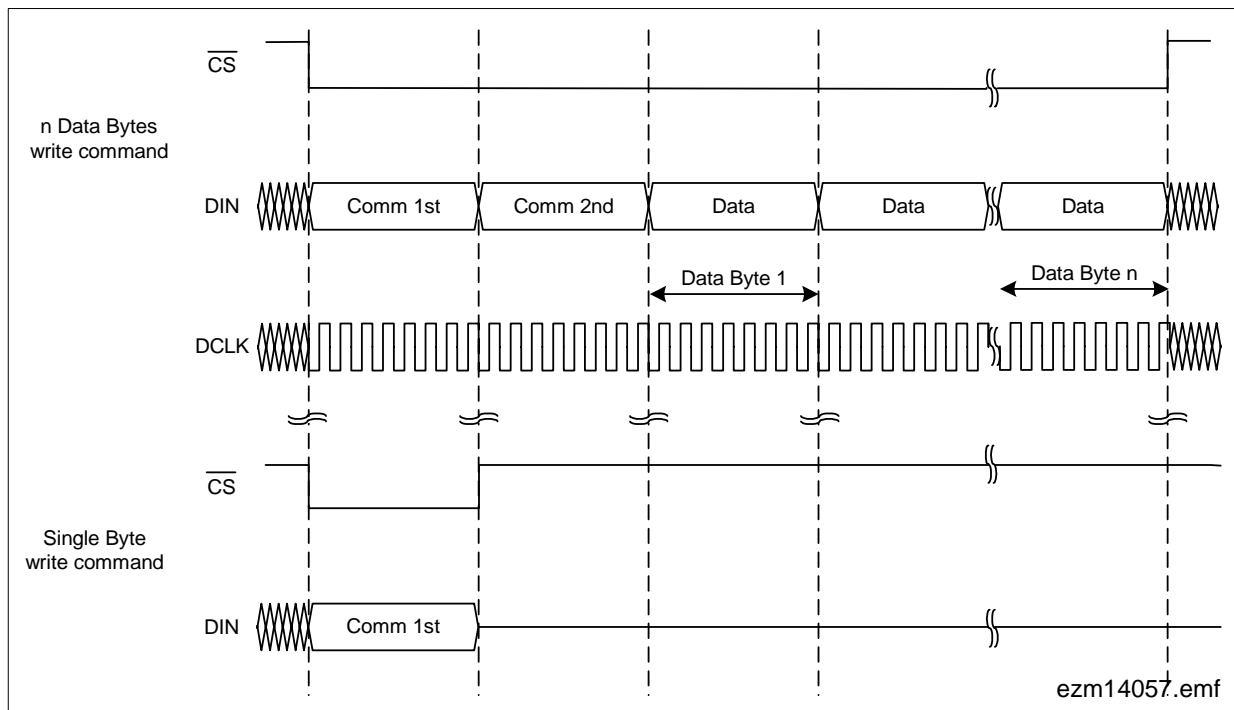


Figure 60 Serial Microcontroller Interface Write Access¹⁾

¹⁾ for n data bytes and single byte command

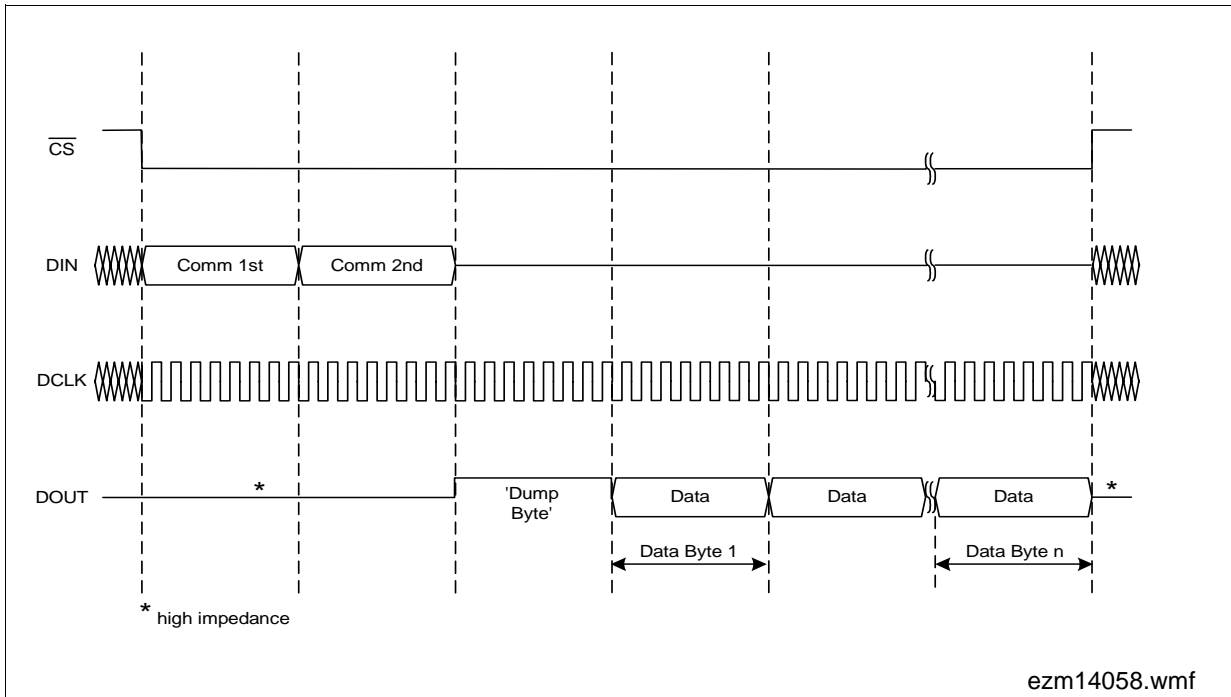


Figure 61 Serial Microcontroller Interface Read Access

Programming the Microcontroller Interface Without Clocks at FSC, MCLK, PCLK

The *SLICOFI-2x* can also be programmed via the μ C interface without any clocks connected to the FSC, MCLK, PCLK pins. This can be useful in Power Down modes when further power saving on system level is necessary. In this case a data clock of up to 1.024 MHz can be used on pin DCLK.

Since the *SLICOFI-2x* will leave the basic reset routine only if clocks at the FSC, MCLK and PCLK pins are applied, it is not possible to program the *SLICOFI-2x* without any clocks at these pins directly after the hardware reset or power on reset.

5.2 The IOM-2 Interface

IOM-2 defines an industry-standard serial bus for interconnecting telecommunication ICs for a broad range of applications - typically ISDN-based applications.

The IOM-2 bus provides a symmetrical full-duplex communication link containing data, control/programming and status channels. Providing data, control and status information via a serial channel reduces pin count and cost by simplifying the line card layout.

The IOM-2 Interface consists of two data lines and two clock lines as follows:

- DU: Data Upstream carries data from the *SLICOFI-2x* to a master device.
- DD: Data Downstream carries data from the master device to the *SLICOFI-2x*.
- FSC: A Frame Synchronization Signal (8 kHz) supplied to *SLICOFI-2x*.
- DCL: A Data Clock Signal (2048 kHz or 4096 kHz) supplied to *SLICOFI-2x*.

SLICOFI-2x handles data as described in the IOM-2 specification¹⁾ for analog devices.

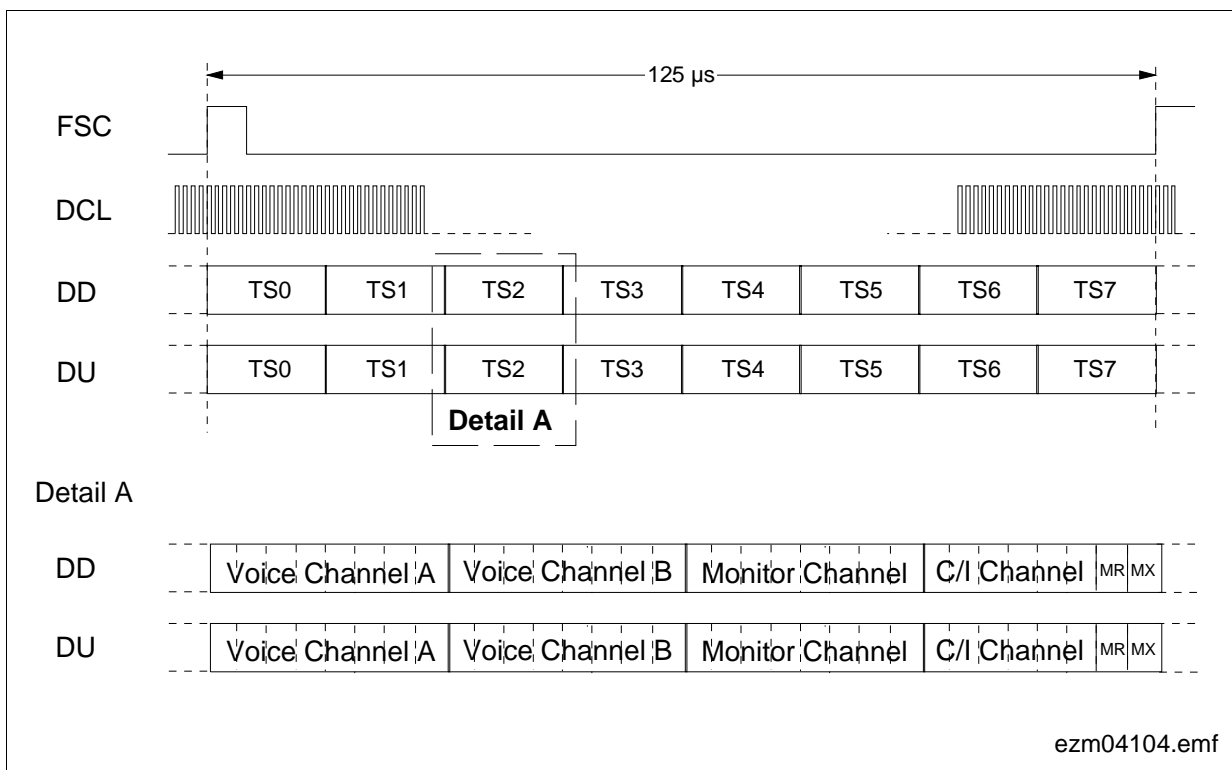


Figure 62 IOM-2 Int. Timing for up to 16 Voice Channels (Per 8-kHz Frame)

¹⁾ Available on request from Infineon Technologies.

The information is multiplexed into frames, which are transmitted at an 8-kHz rate. The frames are subdivided into 8 sub-frames, with one sub-frame dedicated to each transceiver or pair of codecs (in this case, two *SLICOFI-2x* channels). The sub-frames provide channels for data, programming and status information for a single transceiver or codec pair.

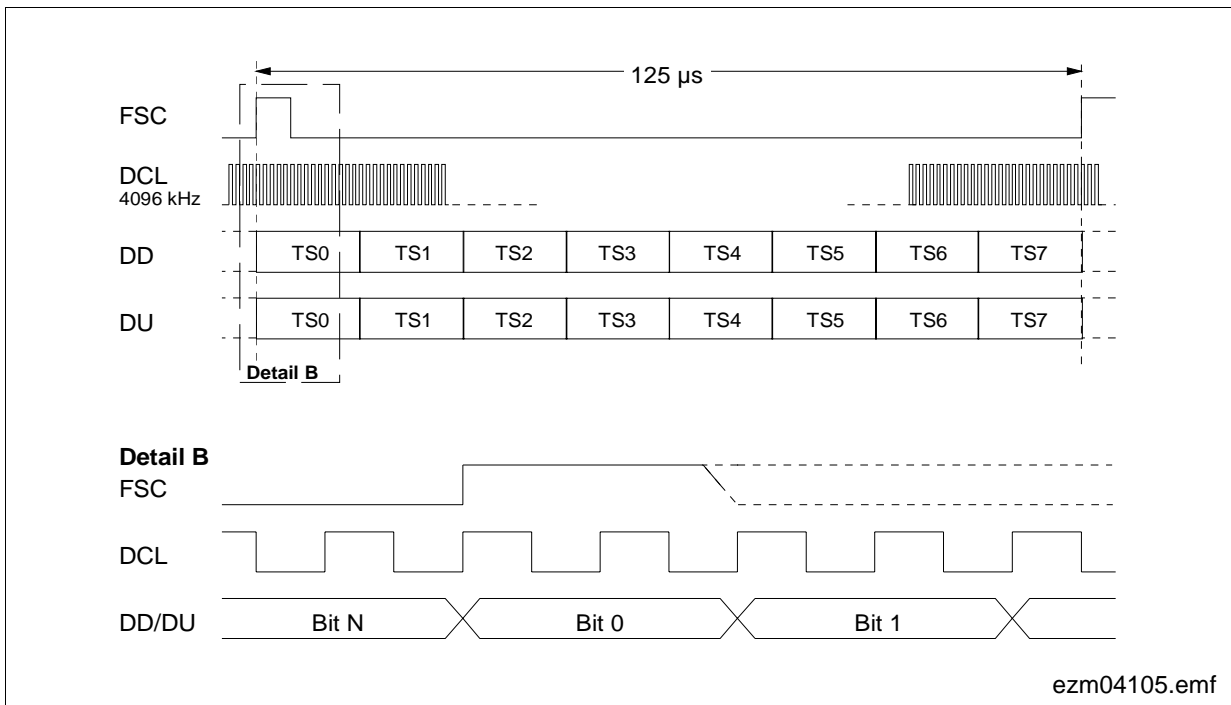


Figure 63 IOM-2 Interface Timing (DCL = 4096 kHz, Per 8-kHz Frame)

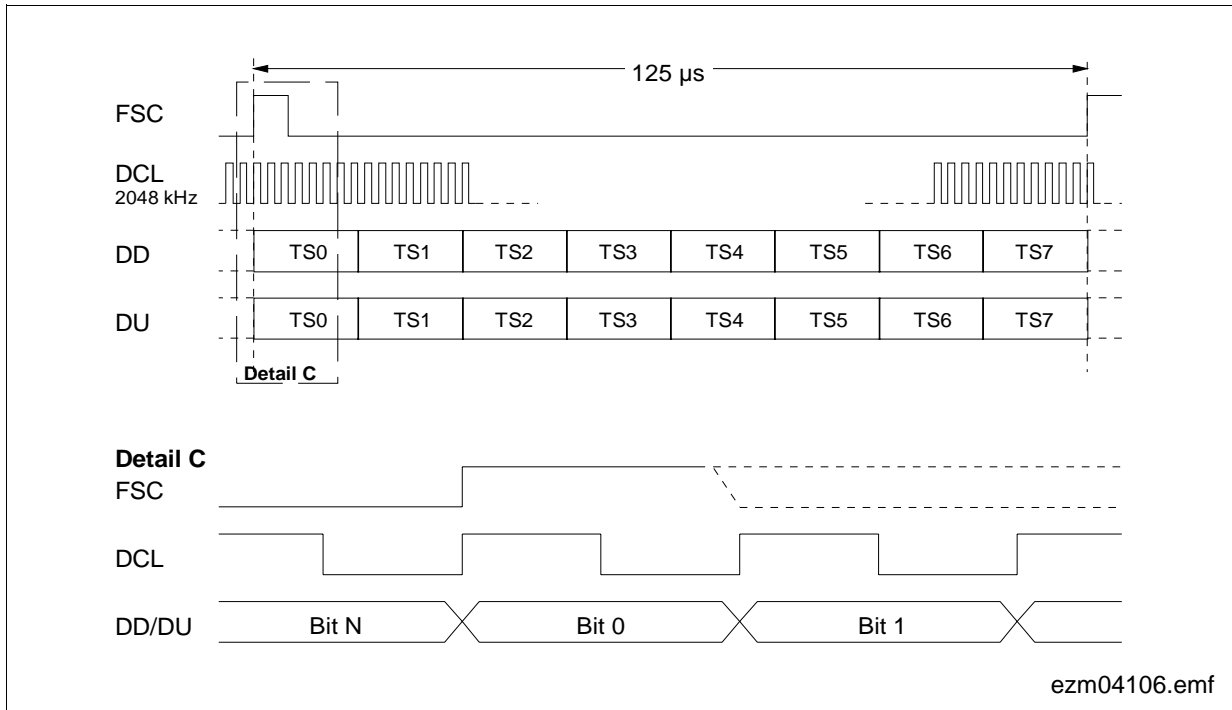


Figure 64 IOM-2 Interface Timing (DCL = 2048 kHz, Per 8-kHz Frame)

Both DuSLIC channels (see [Figure 62](#)) can be assigned to one of the eight time slots. Set the IOM-2 time slot selection as shown in [Table 39](#) below by pin-strapping. In this way, up to 16 channels can be handled with one IOM-2 interface on the line card.

Table 39 IOM-2 Time Slot Assignment

TS2	TS1	TS0	IOM-2 Operating Mode
0	0	0	Time slot 0; DCL = 2048, 4096 kHz
0	0	1	Time slot 1; DCL = 2048, 4096 kHz
0	1	0	Time slot 2; DCL = 2048, 4096 kHz
0	1	1	Time slot 3; DCL = 2048, 4096 kHz
1	0	0	Time slot 4; DCL = 2048, 4096 kHz
1	0	1	Time slot 5; DCL = 2048, 4096 kHz
1	1	0	Time slot 6; DCL = 2048, 4096 kHz
1	1	1	Time slot 7; DCL = 2048, 4096 kHz

2 MHz or 4 MHz DCL is selected by the SEL24 pin:

SEL24 = 0: DCL = 2048 kHz

SEL24 = 1: DCL = 4096 kHz

5.2.1 IOM-2 Interface Monitor Transfer Protocol

Monitor Channel Operation

The monitor channel is used for the transfer of maintenance information between two functional blocks. Using two monitor control bits (MR and MX) per direction, the data are transferred in a complete handshake procedure. The MR and MX bits in the fourth byte (C/I channel) of the IOM-2 frame are used for the handshake procedure of the monitor channel.

The monitor channel transmission operates on a pseudo-asynchronous basis:

Data transfer (bits) on the bus is synchronized to Frame Sync FSC.

Data flow (bytes) is asynchronously controlled by the handshake procedure.

For example: Data is placed onto the DD-Monitor-Channel by the monitor transmitter of the master device (DD-MX-Bit is activated, i.e., set to zero). This data transfer will be repeated within each frame (125 μ s rate) until it is acknowledged by the *SLICOFI-2x* monitor receiver by setting the DU-MR-bit to zero, which is checked by the monitor transmitter of the master device. The data rate on IOM-2 monitor channels is 4 kb/s.

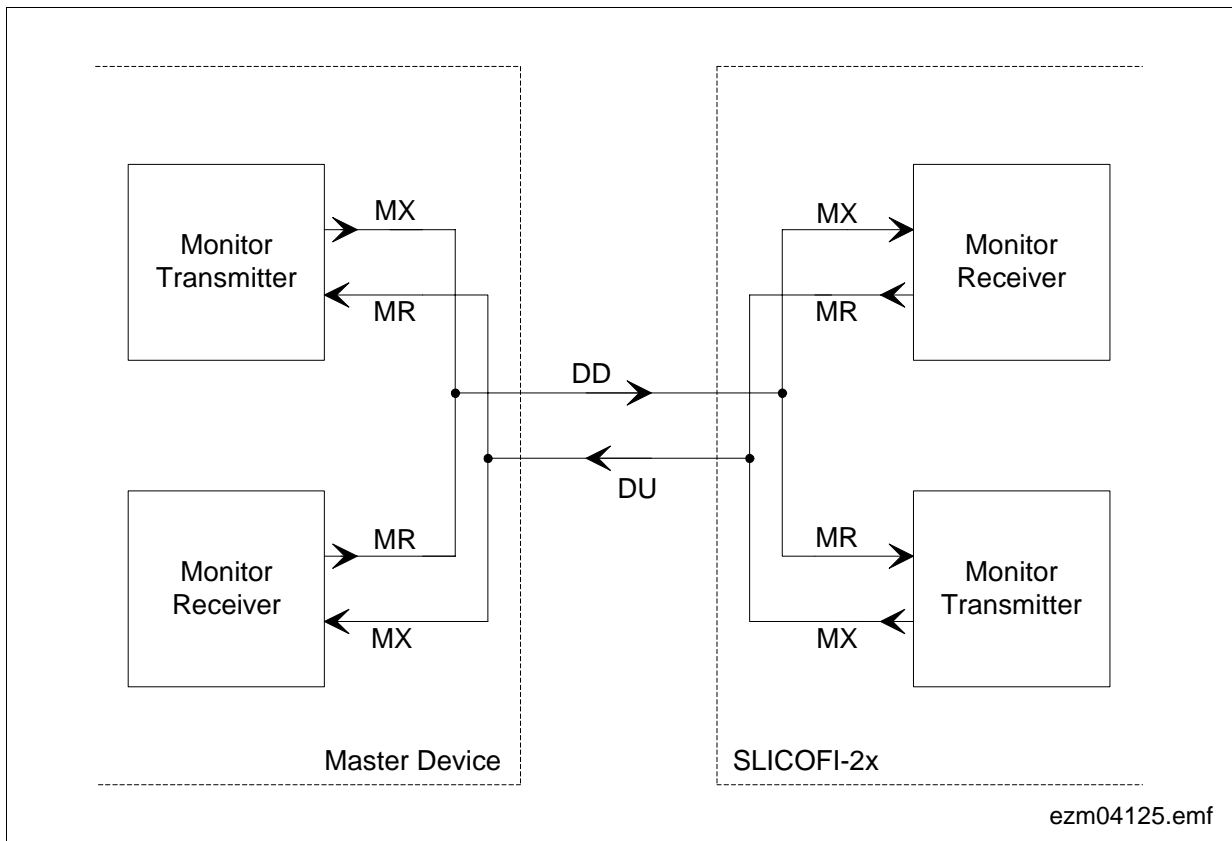


Figure 65 IOM-2 Interface Monitor Transfer Protocol

Monitor Handshake Procedure

The monitor channel works in three states

- idle state: A pair of inactive (set to '1') MR and MX bits during two or more consecutive frames: End of Message (EOM)
- sending state: MX bit is activated (set to zero) by the monitor transmitter, together with data bytes (can be changed) on the monitor channel
- acknowledging: MR bit is set to active (set to zero) by the monitor receiver, together with a data byte remaining in the monitor channel.

A start of a transmission is initiated by a monitor transmitter in sending out an active MX bit together with the first byte of data (the address of the receiver) to be transmitted in the monitor channel.

The monitor channel remains in this state until the addressed monitor receiver acknowledges the received data by sending out an active MR bit, which means that the data transmission is repeated each 125 μ s frame (minimum is one repetition). During this time the monitor transmitter evaluates the MR bit.

Flow control can only take place when the transmitter's MX and the receiver's MR bit are in active state.

Since the receiver is capable to receive the monitor data at least twice (in two consecutive frames), it is able to check for data errors. If two different bytes are received, the receiver will wait for the receipt of two identical successive bytes (last look function).

A collision resolution mechanism (checking whether another device is trying to send data during the same time) is implemented in the transmitter. This is done by looking for the inactive ('1') phase of the MX bit and making a per-bit collision check on the transmitted monitor data (check if transmitted '1's are on DU/DD line; DU/DD line are open-drain lines).

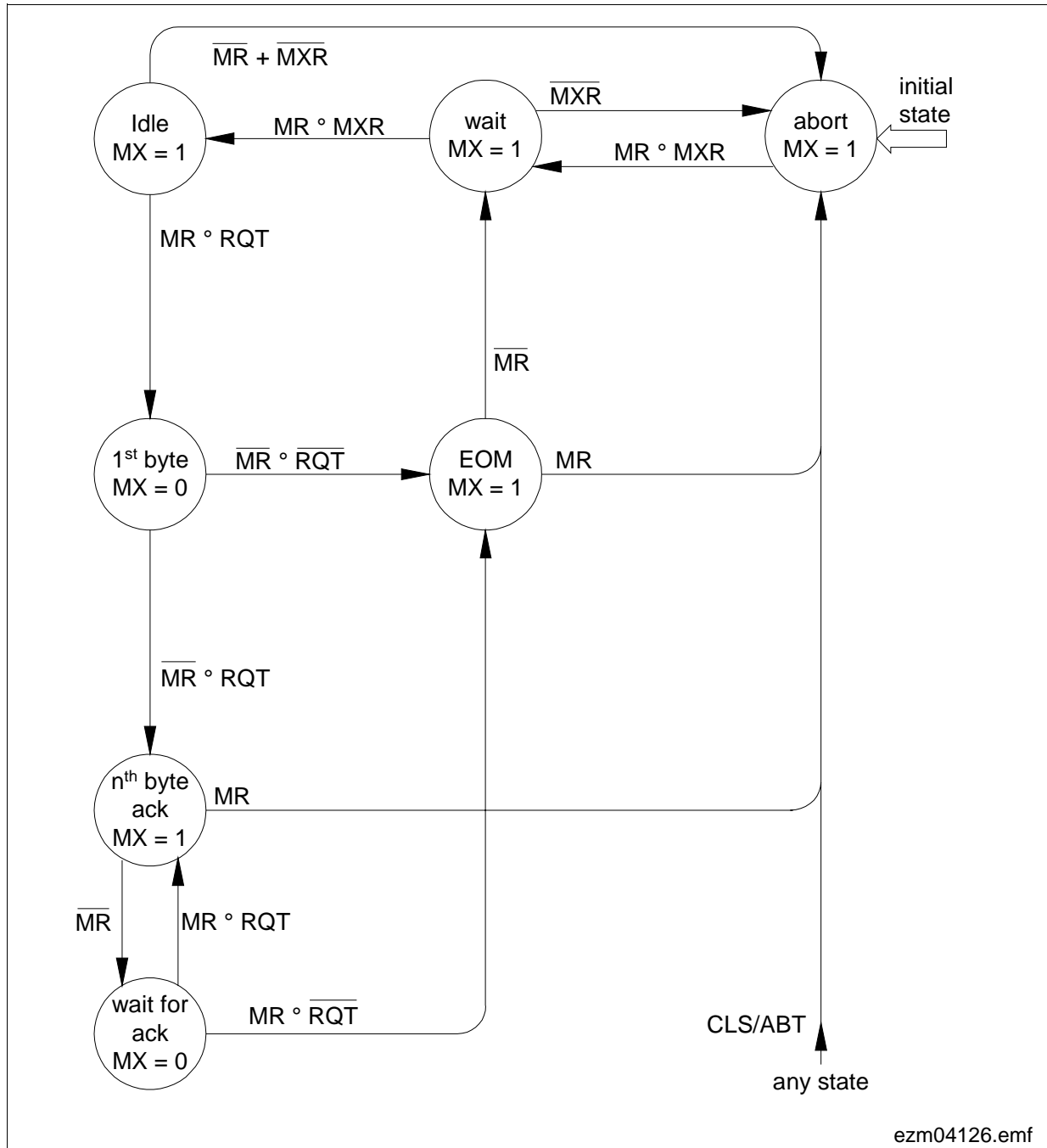
Any abort leads to a reset of the *SLICOFI-2x* command stack, the device is ready to receive new commands.

To maximum speed during data transfers the transmitter anticipates the falling edge of the receivers acknowledgment.

Due to the programming structure, duplex operation is not possible. It is not **allowed** to send any data to the *SLICOFI-2x*, while transmission is active.

Data transfer to the *SLICOFI-2x* starts with a *SLICOFI-2x*-specific address byte (81_H).

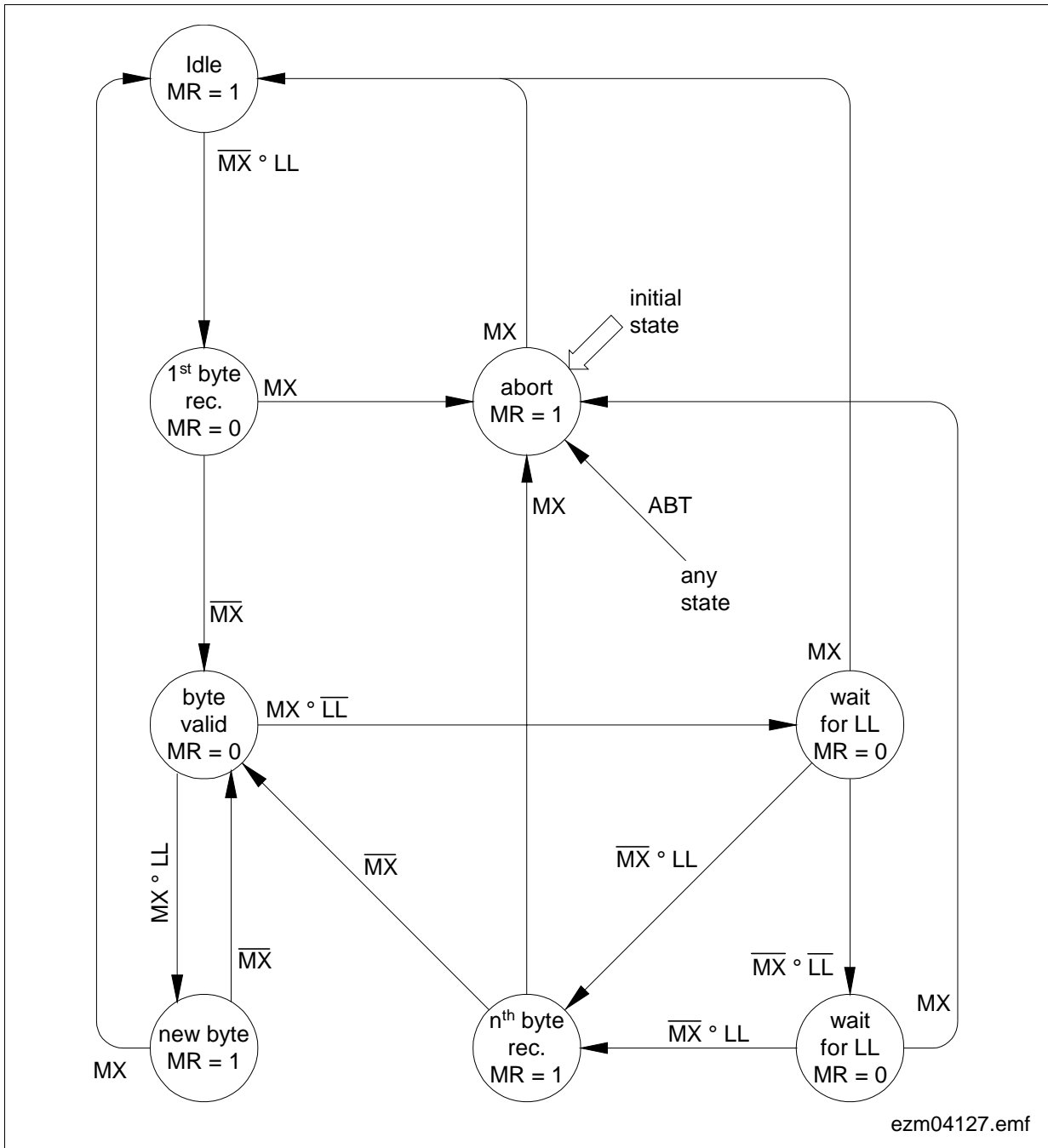
Attention: Each byte on the monitor channel has to be sent twice at least according to the IOM-2 Monitor handshake procedure.



ezm04126.emf

Figure 66 State Diagram of the SLICOFI-2x Monitor Transmitter

- MR ... MR bit received on DD line
- MX ... MX bit calculated and expected on DU line
- MXR ... MX bit sampled on DU line
- CLS ... Collision within the monitor data byte on DU line
- RQT ... Request for transmission form internal source
- ABT ... Abort request/indication



ezm04127.emf

Figure 67 State Diagram of the SLICOFI-2x Monitor Receiver

- MR ... MR bit calculated and transmitted on DU line
- MX ... MX bit received data downstream (DD line)
- LL ... Last lock of monitor byte received on DD line
- ABT ... Abort indication to internal source

Address Byte

Messages to and from the *SLICOFI-2x* start with the following byte:

Bit	7	6	5	4	3	2	1	0
	1	0	0	0	0	0	0	1

5.2.2 SLICOFI-2x Identification Command (only IOM-2 Interface)

In order to unambiguously identify different devices by software, a two-byte identification command is defined for analog line IOM-2 devices. A device requesting the identification of the *SLICOFI-2x* will send the following two byte code:

1	0	0	0	0	0	0	0
0	0	0	0	0	0	0	0

Each device will then respond with its specific identification code. For the *SLICOFI-2x* this two byte identification code is:

1	0	0	0	0	0	0	0
1	0	0	0	0	1	0	1

5.3 TIP/RING Interface

The TIP/RING interface is the interface that connects the subscriber to the DuSLIC. It meets the ITU-T recommendation Q.552 for a Z interface and applicable LSSGR.

For the performance of the TIP/RING interface see [Chapter 7.5](#) and [Chapter 7.6](#), for application circuits see [Chapter 8](#).

5.4 SLICOFI-2S/-2S2 and SLIC-S/-S2 Interface

The SLIC-S/-S2 PEB 4264/-2 operates in the following modes controlled by a ternary logic signal at the C1 and C2 input:

Table 40 SLIC-S/-S2 Interface Code

		C2 (Pin 17)		
		L	M	H
C1 (Pin 18)	L ¹⁾	PDH	PDRHL	PDRH
	M	ACTL	ACTH	ACTR
	H	unused	HIT	HIR

1) no "Overtemp" signaling possible via pin C1 if C1 is low.

Table 41 SLIC-S/-S2 Modes

SLIC Mode	Mode Description	Used SLIC-S/-S2 Battery Voltage
PDH	Power Down High Impedance	V_{BATH}
PDRH	Power Down Resistive High	V_{BATH}
PDRHL	Power Down Resistive High Load	V_{BATH}
ACTL	Active Low	V_{BATL}
ACTH	Active High	V_{BATH}
ACTR	Active Ring	V_{BATH}, V_{HR}
HIT	High Impedance on TIP	V_{BATH}, V_{HR}
HIR	High Impedance on RING	V_{BATH}, V_{HR}

Preliminary

Interfaces

Active (ACTL, ACTH): These are the regular transmit and receive modes for voice band. The line driving section is operated between V_{BATL} , V_{BATH} and V_{BGND} .

Active Ring (ACTR): In order to provide a balanced ring signal of up to 45 Vrms or to drive longer telephone lines, an auxiliary positive battery voltage V_{HR} is used, making possible a higher voltage across the line. Transmission performance remains unchanged compared with Active modes.

The **Power Down** mode PDRH is intended to reduce the power consumption of the linecard to a minimum: the SLIC-S/-S2 is switched off completely, no operation is available except off-hook detection.

With respect to the output impedance of TIP and RING, two Power Down modes have to be distinguished:

PDRH provides a connection of 5 k Ω each from TIP to V_{BGND} and RING to V_{BATH} , respectively, while the outputs of the buffers show high impedance. The current through these resistors is sensed and transferred to the IT pin to allow off-hook supervision.

PDRHL is used as a transition state at a mode change from PDRH or PDH to ACTH mode (automatically initiated by SLICOFI-2S/-2S2 at a mode change).

High Impedance (HIR/HIT): In this mode each of the line outputs can be programmed to show high impedance. HIT switches off the TIP buffer, while the current through the RING output still can be measured by IT or IL. Programming HIR switches off the RING buffer.

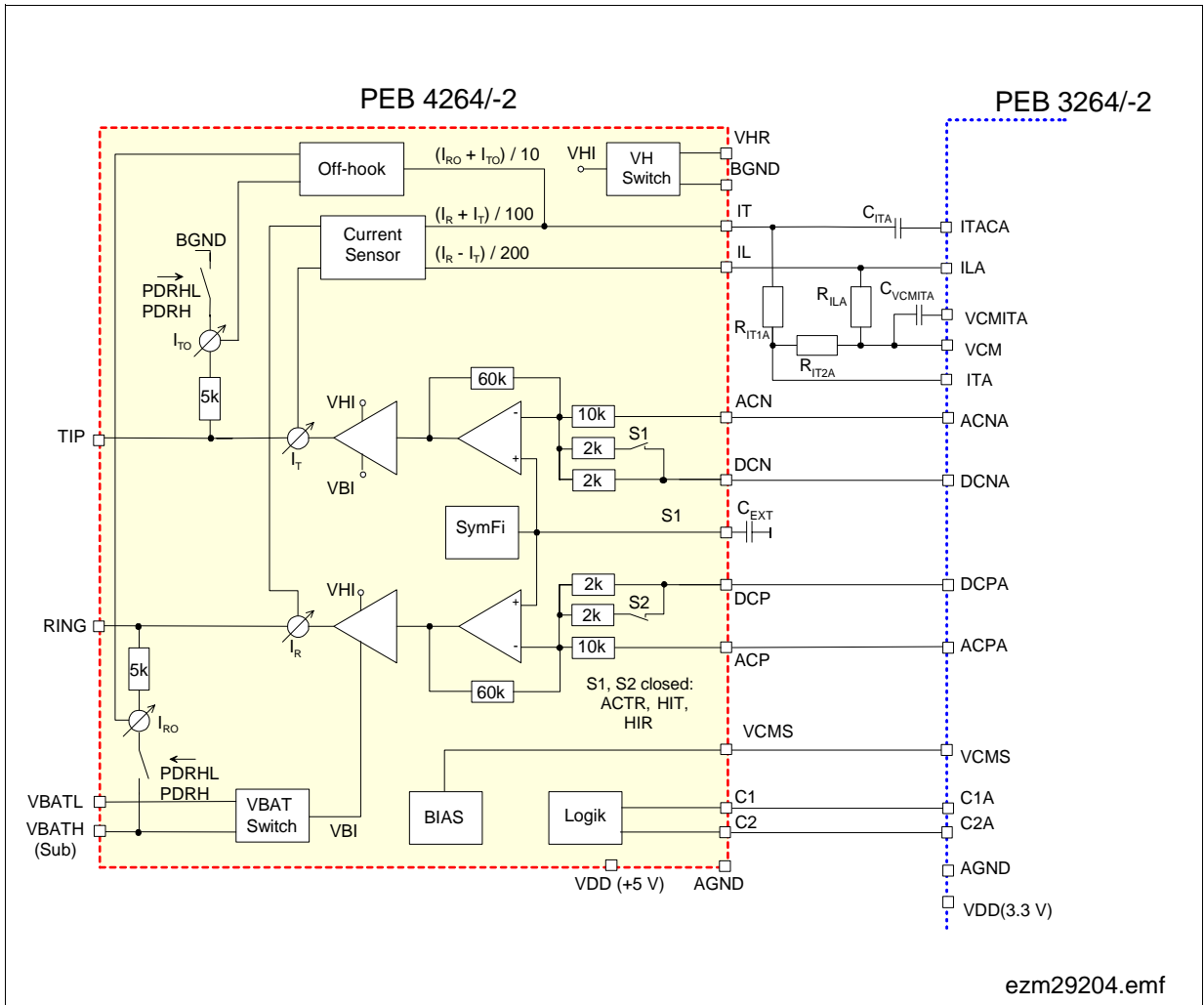


Figure 68 Interface SLICOFI-2S/-2S2 and SLIC-S/-S2

Capacitor and resistor values are specified in [Chapter 8](#).

5.5 SLICOFI-2 and SLIC-E/-E2 Interface

The SLIC-E/-E2 PEB 4265/-2 operates in the following modes controlled by a ternary logic signal at the C1 and C2 input:

Table 42 SLIC-E/-E2 Interface Code

		C2		
		L	M	H
C1	L ¹⁾	PDH	PDRHL	PDRH
	M	ACTL	ACTH	ACTR
	H	HIRT	HIT	HIR

1) no "Overtemp" signaling possible via pin C1 if C1 is low.

Table 43 SLIC-E/-E2 Modes

SLIC Mode	Mode Description	Used SLIC-E/-E2 Battery Voltage
PDH	Power Down High Impedance	V_{BATH}
PDRH	Power Down Resistive High	V_{BATH}
PDRHL	Power Down Resistive High Load	V_{BATH}
ACTL	Active Low	V_{BATL}
ACTH	Active High	V_{BATH}
ACTR	Active Ring	V_{BATH}, V_{HR}
HIRT	High Impedance on RING and TIP	V_{BATH}, V_{HR}
HIT	High Impedance on TIP	V_{BATH}, V_{HR}
HIR	High Impedance on RING	V_{BATH}, V_{HR}

Preliminary**Interfaces**

High Impedance (HIR/HIT/HIRT): In this mode each of the line outputs can be programmed to show high impedance. HIT switches off the TIP buffer, while the current through the RING output still can be measured by IT or IL. Programming HIR switches off the RING buffer. In the mode HIRT both buffers show high impedance.

Active (ACTL, ACTH): These are the regular transmit and receive modes for voice band. The line driving section is operated between V_{BATL} , V_{BATH} and V_{BGND} .

Active Ring (ACTR): In order to provide a balanced ring signal of up to 85 Vrms or to drive longer telephone lines, an auxiliary positive battery voltage V_{HR} is used, making possible a higher voltage across the line. Transmission performance remains unchanged compared with Active modes.

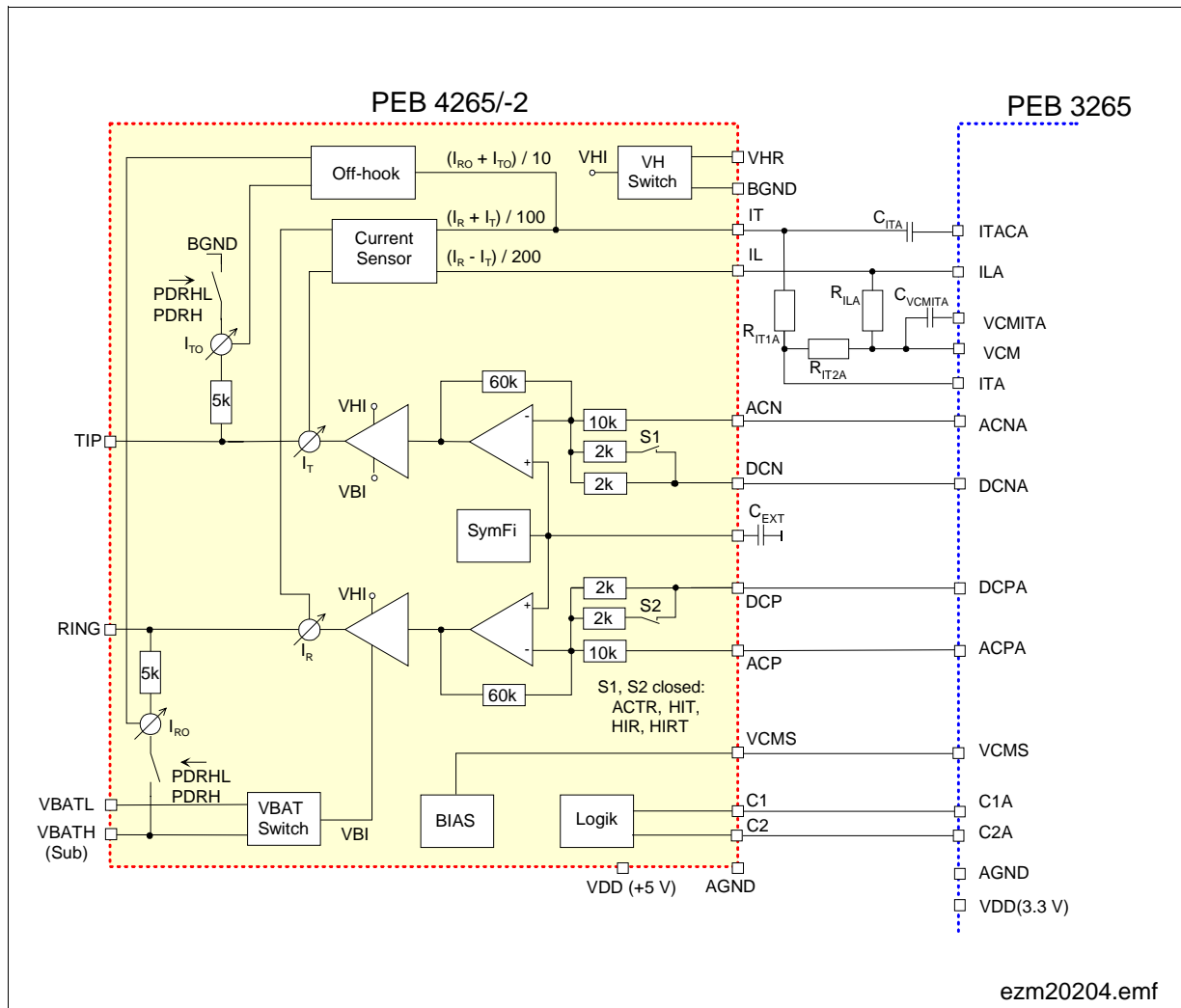
The **Power Down** modes are intended to reduce the power consumption of the linecard to a minimum: the SLIC-E/-E2 is switched off completely, no operation is available.

With respect to the output impedance of TIP and RING, three Power Down modes have to be distinguished:

A resistive one (**PDRH**) provides a connection of 5 k Ω each from TIP to V_{BGND} and RING to V_{BATH} , respectively, while the outputs of the buffers show high impedance. The current through these resistors is sensed and transferred to the IT pin to allow off-hook supervision.

PDRHL is used as a transition mode at a mode change from PDRH mode to ACTH mode (automatically initiated by SLICOFI-2 at a mode change from PDRH to ACTH).

The other mode (**PDH**) offers high impedance at TIP and RING.



ezm20204.emf

Figure 69 Interface SLICOFI-2 and SLIC-E/-E2

Capacitor and resistor values are specified in [Chapter 8](#).

5.6 SLICOFI-2 and SLIC-P Interface

The SLIC-P PEB 4266 operates in the following modes controlled by a ternary logic signal at the C1, C2 inputs and a binary logic signal at C3 input:

Table 44 SLIC-P Interface Code

		C2		
		L	M	H
C1	L ¹⁾	PDH	PDRR	PDRRL
			PDRHL	PDRH
	M	ACTL	ACTH	ACTR
	H	HIRT	HIT	HIR
			ROT	ROR

C3 = H or L

C3 = H²⁾

C3 = L²⁾

1) no "Overtemp" signaling possible via pin C1 if C1 is low.

2) C3 pin of SLIC-P is typically connected to IO2 pin of SLICOFI-2. For extremely power-sensitive applications using external ringing the C3 pin can be connected to GND. In this case, SEL-SLIC[1:0] in register BCR1 has to be set to 10.

Operating Modes for SLIC-P with Two Battery Voltages (V_{BATH} , V_{BATL}) for Voice and an Additional Voltage (V_{BATR}) for Ringing:

Table 45 SLIC-P Modes

SLIC Mode	Mode Description	Used SLIC-P Battery Voltage
PDH	Power Down High Impedance	V_{BATR}
PDRH	Power Down Resistive High	V_{BATH}
PDRHL	Power Down Load Resistive High Load	V_{BATH}
ACTL	Active Low	V_{BATL}
ACTH	Active High	V_{BATH}
ACTR	Active Ring	V_{BATR}
HIRT	High Impedance on RING and TIP	V_{BATR}
ROR	Ring on RING	V_{BATR}
ROT	Ring on TIP	V_{BATR}

Active (ACTL, ACTH): These are the regular transmit and receive modes for voice band. The line driving section is operated between V_{BATL} , V_{BATH} and V_{BGND} .

Ringing:

Active Ring (ACTR): In order to provide a balanced ring signal of up to 85 Vrms or to drive longer telephone lines, an additional negative battery voltage V_{BATR} is used, making possible a higher voltage across the line. Transmission performance remains unchanged compared with ACT mode.

Ring on Tip (ROT): An unbalanced ring signal up to 50 Vrms can be fed to the Tip line. The Ring line is fixed to a potential near V_{BGND} .

Ring on Ring (ROR): An unbalanced ring signal up to 50 Vrms can be fed to the Ring line. The Tip line is fixed to a potential near V_{BGND} .

PDRH is a power down mode providing a connection of 5 k Ω each from TIP to V_{BGND} and RING to V_{BATH} , respectively, while the outputs of the buffers show high impedance. The current through these resistors is sensed and transferred to the IT pin to allow off-hook supervision.

PDRHL is used as a transition mode at a mode change from PDRH mode to ACTH mode (automatically initiated by SLICOFI-2 at a mode change from PDRH to ACTH).

Operating Modes for SLIC-P with Three Battery Voltages (V_{BATH} , V_{BATL} , V_{BATR}) for voice and External Ringing

Table 46 SLIC-P Modes

SLIC Mode	Mode Description	Used SLIC-P Battery Voltage
PDH	Power Down High Impedance	V_{BATR}
PDRR	Power Down Resistive Ring	V_{BATR}
PDRRL	Power Down Load Resistive Ring Load	V_{BATR}
ACTL	Active Low	V_{BATL}
ACTH	Active High	V_{BATH}
ACTR	Active Ring	V_{BATR}
HIRT	High Impedance on RING and TIP	V_{BATR}
HIT	High Impedance on TIP	V_{BATR}
HIR	High Impedance on RING	V_{BATR}

Preliminary**Interfaces**

Active (ACTL, ACTH, ACTR): These are the regular transmit and receive modes for voice band. The line driving section is operated between V_{BATL} , V_{BATH} , V_{BATR} and V_{BGND} .

PDRR is a power down mode providing a connection of 5 k Ω each from TIP to V_{BGND} and RING to V_{BATR} , respectively, while the outputs of the buffers show high impedance. The current through these resistors is sensed and transferred to the IT pin to allow off-hook supervision.

PDRRL is used as a transition mode at a mode change from PDRR mode to ACTR mode (automatically initiated by SLICOFI-2 at a mode change from PDRR to ACTR).

High Impedance (HIR/HIT): In this mode each of the line outputs can be programmed to show high impedance. HIT switches off the TIP buffer, while the current through the RING output still can be measured by IT or IL. Programming HIR switches off the RING buffer.

For Both Operating Modes of SLIC-P (Ringing and Non Ringing):

The **Power Down** modes are intended to reduce the power consumption of the linecard to a minimum: the PEB 4266 is switched off completely, no operation is available.

With respect to the output impedance of TIP and RING, the following Power Down modes have to be distinguished:

The **PDH** mode offers high impedance at TIP and RING.

High Impedance (HIRT): The output buffers of the Tip and Ring line show high impedance.

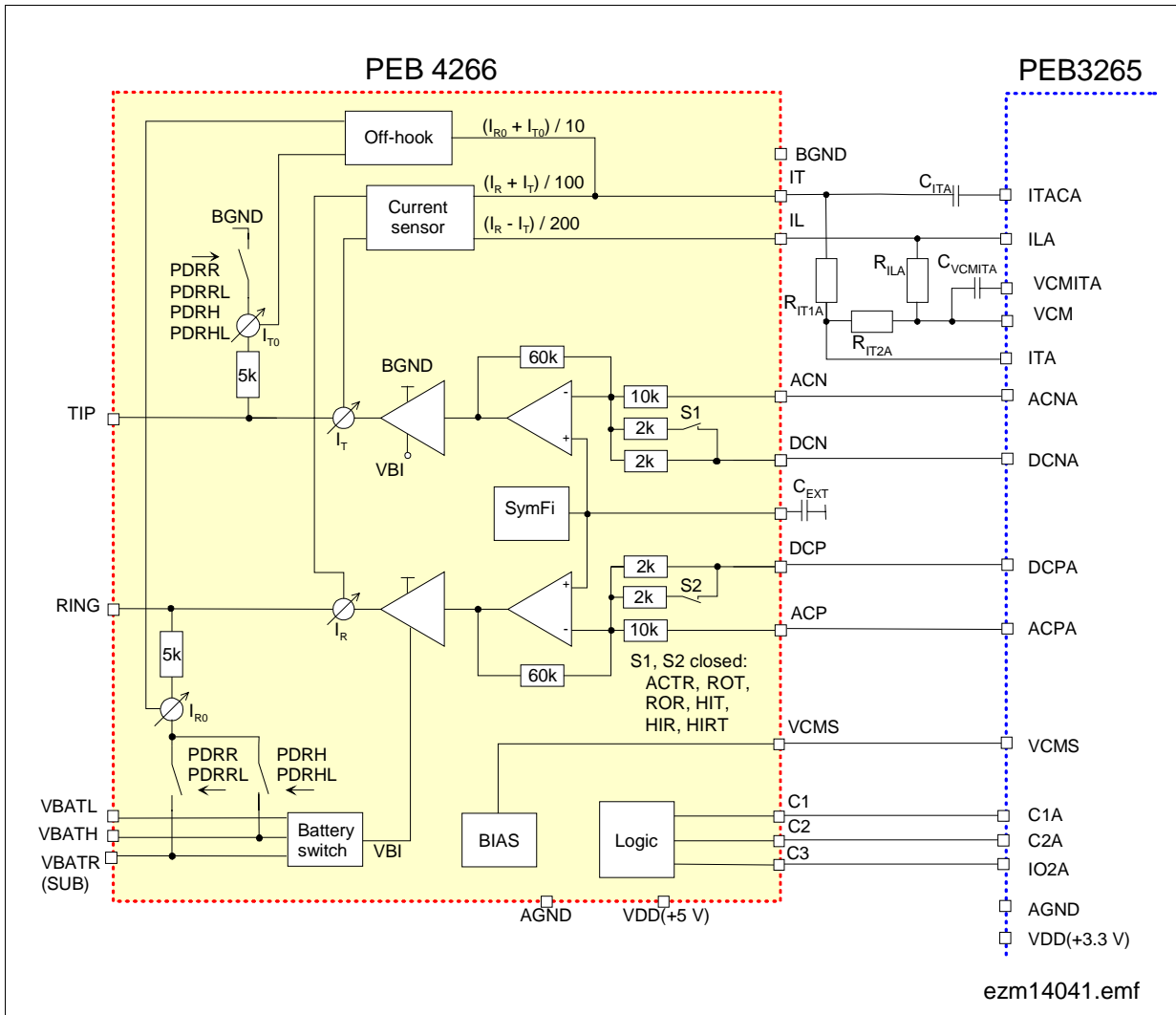


Figure 70 Interface SLICOFI-2 and SLIC-P

Capacitor and resistor values are specified in [Chapter 8](#).

6 SLICOFI-2x Command Structure and Programming

With the commands described in this chapter, the *SLICOFI-2x* can be programmed, configured and tested very flexibly via the microcontroller interface or via the IOM-2 interface monitor channel.

The command structure uses one and two-byte commands in order to ensure a high flexible and quick programming procedure for the most common commands.

Structure of the First Command Byte

The first command byte includes the R/W bit, the addresses of the different channels and the command type.

Bit	7	6	5	4	3	2	1	0
	RD	OP	ADR[2:0]			CMD[2:0]		

RD Read Data
 RD = 0 Write data to chip.
 RD = 1 Read data from chip.

OP Selects the usage of the CMD field
 OP = 0 The CMD field works as a CIOP (Command/Indication Operation) command and acts like the M[2:0] bits located in the CIDD byte of the IOM Interface (μ C interface mode only). See [Table 47](#).

Bit	7	6	5	4	3	2	1	0
	0	0	ADR[2:0]			M2	M1	M0

OP = 1 The CMD field acts as the SOP, COP or POP command described below.

Table 47 M2, M1, M0: General Operating Mode

Command/Indication Operation (CIOP)			<i>SLICOFI-2x</i> Operating Mode (for details see “ Operating Modes for the DuSLIC Chip Set ” on Page 78)
M2	M1	M0	
1	1	1	Sleep, Power Down (PDRx)
0	0	0	Power Down High Impedance (PDH)
0	1	0	Any Active mode
1	0	1	Ringing (ACTR Burst On)
1	1	0	Active with Metering
1	0	0	Ground Start
0	0	1	Ring Pause

ADR[2:0] Channel address for the subsequent data

ADR[2:0] = 0 0 0 Channel A

ADR[2:0] = 0 0 1 Channel B

(other codes reserved for future use)

CMD[2:0] Command for programming the *SLICOFI-2x* (OP = 1) or command equivalent to the CIDD channel bits M[2:0] in microcontroller interface mode (OP = 0)

The first four commands have no second command byte following.

All necessary information is present in the first command byte.

CMD[2:0] = 0 0 0 Soft reset of the chip (Reset routine for all channels will reset all configuration registers, CRAM data is not affected).

CMD[2:0] = 0 0 1 Soft reset for the specified channel A or B in ADR field

CMD[2:0] = 0 1 0 Resynchronization of the PCM interface
(only available when pin PCM/IOM-2 = 1)

CMD[2:0] = 0 1 1 reserved for future use

The second four commands are followed by a second command byte which defines additional information, e.g., specifying sub-adresses of the CRAM.

CMD[2:0] = 1 0 0 SOP command (status operation, programming and monitoring of all status-relevant data).

CMD[2:0] = 1 0 1 COP command (coefficient operation, programming and monitoring of all coefficients in the CRAM).

Preliminary

SLICOFI-2x Command Structure and Programming

CMD[2:0] = 1 1 0 POP command (PINE access operation programming the EDSP).

CMD[2:0] = 1 1 1 reserved for production tests

Structure of the Second Command Byte

The second command byte specifies a particular SOP, COP or POP command, depending on the CMD[2:0] bits of the first command byte. In the following sections, the content of this register is described for each command group.

The second command byte specifies the initial offset for the subsequent data bytes. After each data byte transferred the internal offset is incremented automatically. Therefore it is possible to send a various number of data bytes with one SOP, COP or POP command. Writing over read-only registers will not destroy their contents.

Register Description Example

At the beginning of each register description a single line gives information about

- Offset: Offset of register address (hex)
- Name: Short name of the register
- Detailed name: Detailed name of the register
- Reset value: Value of the register after reset (hex)
 - “hw” – value depends on specific hardware fuses
- Test status:
 - “T” – the register has no effect unless the TEST-EN bit in register LMCR1 is set to 1
- Channel selection:
 - “N” – the register effects both *SLICOFI-2x* channels,
 - “Y” – the register effects a specific *SLICOFI-2x* channel

The line is organized as follows (with example):

Offset	Name	Detailed Name	Reset Value	Test	Per Channel
27 _H	TSTR1	Test Register 1	00 _H	T	Y

Preliminary

SLICOFI-2x Command Structure and Programming

6.1 Overview of Commands

SOP STATUS OPERATION

Bit	7	6	5	4	3	2	1	0
Byte 1	RD	1	ADR[2:0]			1	0	0
Byte 2	OFFSET[7:0]							

COP COEFFICIENT OPERATION

Bit	7	6	5	4	3	2	1	0
Byte 1	RD	1	ADR[2:0]			1	0	1
Byte 2	OFFSET[7:0]							

POP POP OPERATION (only SLICOFI-2 PEB 3265 used for DuSLIC-E/-E2/-P)

Bit	7	6	5	4	3	2	1	0
Byte 1	RD	1	ADR[2:0]			1	1	0
Byte 2	OFFSET[7:0]							

Preliminary

SLICOFI-2x Command Structure and Programming

6.2 SLICOFI-2 Command Structure and Programming

This chapter comprises only the SLICOFI-2 PEB 3265 and therefore the DuSLIC-E, DuSLIC-E2 and DuSLIC-P chip sets.

6.2.1 SOP Command

The SOP “Status Operation” command provides access to the configuration and status registers of the SLICOFI-2. Common registers change the mode of the entire SLICOFI-2 chip, all other registers are channel-specific. It is possible to access single or multiple registers. Multiple register access is realized by an automatic offset increment. Write access to read-only registers is ignored and does not abort the command sequence. Offsets may change in newer versions of the SLICOFI-2.

(All empty register bits have to be filled with zeros.)

6.2.1.1 SOP Register Overview

00 _H	REVISION	Revision Number (read-only)					
		REV[7:0]					
01 _H	CHIPID 1	Chip Identification 1 (read-only)					
		for internal use only					
02 _H	CHIPID 2	Chip Identification 2 (read-only)					
		for internal use only					
03 _H	CHIPID 3	Chip Identification 3 (read-only)					
		for internal use only					
04 _H	FUSE1	Fuse Register 1					
		for internal use only					
05 _H	PCMC1	PCM Configuration Register 1					
		DBL-CLK	X-SLOPE	R-SLOPE	NO-DRIVE-0	SHIFT	PCMO[2:0]
06 _H	XCR	Extended Configuration Register					
		EDSP-EN	ASYNCH-R	0	0	0	0

Preliminary

SLICOFI-2x Command Structure and Programming

07 _H	INTREG1	Interrupt Register 1 (read-only)						
	INT-CH	HOOK	GNDK	GNKP	ICON	VRTLIM	OTEMP	SYNC-FAIL
08 _H	INTREG2	Interrupt Register 2 (read-only)						
	LM-THRES	READY	RSTAT	LM-OK	IO[4:1]-DU			
09 _H	INTREG3	Interrupt Register 3 (read-only)						
	DTMF-OK	DTMF-KEY[4:0]				UTDR-OK	UTDX-OK	
0A _H	INTREG4	Interrupt Register 4 (read-only)						
	EDSP-FAIL	0	0	0	CIS-BOF	CIS-BUF	CIS-REQ	CIS-ACT
0B _H	CHKR1	Checksum Register 1 (High Byte) (read-only)						
	SUM-OK	CHKSUM-H[6:0]						
0C _H	CHKR2	Checksum Register 2 (Low Byte) (read-only)						
	CHKSUM-L[7:0]							
0D _H	LMRES1	Level Metering Result 1 (High Byte) (read-only)						
	LM-VAL-H[7:0]							
0E _H	LMRES2	Level Metering Result 2 (Low Byte) (read-only)						
	LM-VAL-L[7:0]							
0F _H	FUSE2	Fuse Register 2						
	for internal use only							
10 _H	FUSE3	Fuse Register 3						
	for internal use only							
11 _H	MASK	Mask Register						
	READY-M	HOOK-M	GNDK-M	GNKP-M	ICON-M	VRTLIM-M	OTEMP-M	SYNC-M

Preliminary
SLICOFI-2x Command Structure and Programming

12 _H	IOCTL1	IO Control Register 1							
		IO[4:1]-INEN				IO[4:1]-M			
13 _H	IOCTL2	IO Control Register 2							
		IO[4:1]-OEN				IO[4:1]-DD			
14 _H	IOCTL3	IO Control Register 3							
		DUP[3:0]				DUP-IO[3:0]			
15 _H	BCR1	Basic Configuration Register 1							
		HIR	HIT	SLEEP-EN	REVPOL	ACTR	ACTL	SEL-SLIC[1:0]	
16 _H	BCR2	Basic Configuration Register 2							
		REXT-EN	SOFT-DIS	TTX-DIS	TTX-12K	HIM-AN	AC-XGAIN	UTDX-SRC	PDOT-DIS
17 _H	BCR3	Basic Configuration Register 3							
		MU-LAW	LIN	PCM16K	PCMX-EN	CONFX-EN	CONF-EN	LPRX-CR	CRAM-EN
18 _H	BCR4	Basic Configuration Register 4							
		TH-DIS	IM-DIS	AX-DIS	AR-DIS	FRX-DIS	FRR-DIS	HPX-DIS	HPR-DIS
19 _H	BCR5	Basic Configuration Register 5							
		UTDR-EN	UTDX-EN	CIS-AUTO	CIS-EN	LEC-OUT	LEC-EN	DTMF-SRC	DTMF-EN
1A _H	DSCR	DTMF Sender Configuration Register							
		DG-KEY[3:0]				COR8	PTG	TG2-EN	TG1-EN
1B _H	reserved								
		0	0	0	0	0	0	0	0

Preliminary

SLICOFI-2x Command Structure and Programming

1C_H LMCR1 Level Metering Configuration Register 1

TEST-EN	LM-EN	LM-THM	PCM2DC	LM2 PCM	LM-ONCE	LM-MASK	DC-AD16
---------	-------	--------	--------	------------	---------	---------	---------

1D_H LMCR2 Level Metering Configuration Register 2

LM-NOTCH	LM-FILT	LM-RECT	RAMP-EN	LM-SEL[3:0]			
----------	---------	---------	---------	-------------	--	--	--

1E_H LMCR3 Level Metering Configuration Register 3

AC-SHORT- EN	RTR-SEL	LM-ITIME[3:0]			RNG-OFFSET[1:0]		
-----------------	---------	---------------	--	--	-----------------	--	--

1F_H OFR1 Offset Register 1 (High Byte)

OFFSET-H[7:0]							
---------------	--	--	--	--	--	--	--

20_H OFR2 Offset Register 2 (Low Byte)

OFFSET-L[7:0]							
---------------	--	--	--	--	--	--	--

21_H PCMR1 PCM Receive Register 1

R1-HW	R1-TS[6:0]						
-------	------------	--	--	--	--	--	--

22_H PCMR2 PCM Receive Register 2

R2-HW	R2-TS[6:0]						
-------	------------	--	--	--	--	--	--

23_H PCMR3 PCM Receive Register 3

R3-HW	R3-TS[6:0]						
-------	------------	--	--	--	--	--	--

24_H PCMR4 PCM Receive Register 4

R4-HW	R4-TS[6:0]						
-------	------------	--	--	--	--	--	--

25_H PCMX1 PCM Transmit Register 1

X1-HW	X1-TS[6:0]						
-------	------------	--	--	--	--	--	--

Preliminary

SLICOFI-2x Command Structure and Programming

26 _H	PCMX2	PCM Transmit Register 2
	X2-HW	X2-TS[6:0]

27 _H	PCMX3	PCM Transmit Register 3
	X3-HW	X3-TS[6:0]

28 _H	PCMX4	PCM Transmit Register 4
	X4-HW	X4-TS[6:0]

29 _H	TSTR1	Test Register 1						
	PD-AC-PR	PD-AC-PO	PD-AC-AD	PD-AC-DA	PD-AC-GN	PD-GNKC	PD-OFHC	PD-OVTC

2A _H	TSTR2	Test Register 2						
	PD-DC-PR	0	PD-DC-AD	PD-DC-DA	PD-DCBUF	0	PD-TTX-A	PD-HVI

2B _H	TSTR3	Test Register 3						
	0	0	AC-DLB-4M	AC-DLB-128K	AC-DLB-32K	AC-DLB-8K	0	0

2C _H	TSTR4	Test Register 4						
	OPIM-AN	OPIM-4M	COR-64	COX-16	0	0	0	0

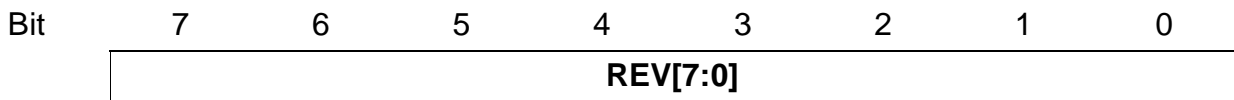
2D _H	TSTR5	Test Register 5						
	0	0	0	DC-POFI-HI	DC-HOLD	0	0	0

Preliminary

SLICOFI-2x Command Structure and Programming

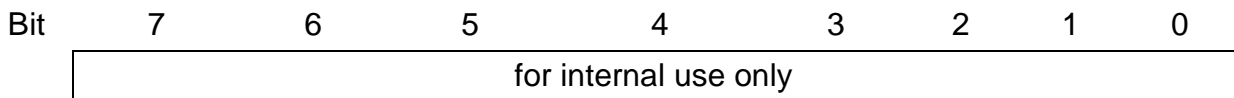
6.2.1.2 SOP Register Description

00_H	REVISION	Revision Number (read-only)	curr. rev.		N
-----------------------	-----------------	-----------------------------	-------------------	--	----------

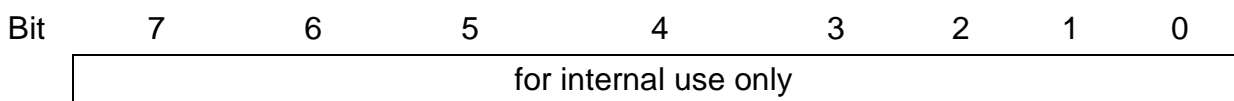


REV[7:0] Current revision number of the SLICOFI-2.

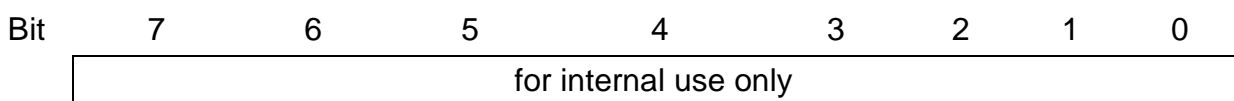
01_H	CHIPID 1	Chip Identification 1 (read-only)	hw		N
-----------------------	-----------------	-----------------------------------	-----------	--	----------



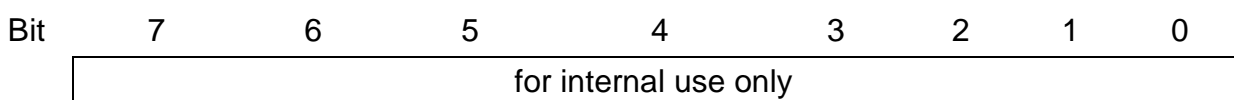
02_H	CHIPID 2	Chip Identification 2 (read-only)	hw		N
-----------------------	-----------------	-----------------------------------	-----------	--	----------



03_H	CHIPID 3	Chip Identification 3 (read-only)	hw		N
-----------------------	-----------------	-----------------------------------	-----------	--	----------



04_H	FUSE1	Fuse Register 1	hw		N
-----------------------	--------------	------------------------	-----------	--	----------



05 _H	PCMC1	PCM Configuration Register 1	00 _H		N
-----------------	-------	------------------------------	-----------------	--	---

Bit	7	6	5	4	3	2	1	0
	DBL-CLK	X-SLOPE	R-SLOPE	NO-DRIVE-0	SHIFT	PCMO[2:0]		

DBL-CLK Clock mode for the PCM interface (see [Figure 59](#) on [Page 141](#))

DBL-CLK = 0 Single-clocking is used.

DBL-CLK = 1 Double-clocking is used.

X-SLOPE Transmit slope (see [Figure 59](#) on [Page 141](#))

X-SLOPE = 0 Transmission starts with rising edge of the clock.

X-SLOPE = 1 Transmission starts with falling edge of the clock.

R-SLOPE Receive slope (see [Figure 59](#) on [Page 141](#))

R-SLOPE = 0 Data is sampled with falling edge of the clock.

R-SLOPE = 1 Data is sampled with rising edge of the clock.

NO-DRIVE-0 Driving mode for bit 0 (only available in single-clocking mode).

NO-DRIVE = 0 Bit 0 is driven the entire clock period.

NO-DRIVE = 1 Bit 0 is driven during the first half of the clock period only.

SHIFT Shifts the access edges by one clock cycle in double-clocking mode.

SHIFT = 0 No shift takes place.

SHIFT = 1 Shift takes place.

PCMO[2:0] The whole PCM timing is moved by PCMO data periods against the FSC signal.

PCMO[2:0] = 0 0 0 No offset is added.

PCMO[2:0] = 0 0 1 One data period is added.

...

PCMO[2:0] = 1 1 1 Seven data periods are added.

06 _H	XCR	Extended Configuration Register	00 _H	N
-----------------	-----	---------------------------------	-----------------	---

Bit	7	6	5	4	3	2	1	0
	EDSP-EN	ASYNCH-R	0	0	0	0		

EDSP-EN Enables the Enhanced Digital Signal Processor EDSP.
 EDSP-EN = 0 Enhanced Digital Signal Processor is switched off.
 EDSP-EN = 1 Enhanced Digital Signal Processor is switched on.

ASYNCH-R Enables asynchronous ringing in case of external ringing.
 ASYNCH-R = 0 External ringing with zero crossing selected.
 ASYNCH-R = 1 Asynchronous ringing selected.

07 _H	INTREG1	Interrupt Register 1 (read-only)	80 _H		Y
-----------------	---------	----------------------------------	-----------------	--	---

Bit	7	6	5	4	3	2	1	0
	INT-CH	HOOK	GNDK	GNKP	ICON	VRTLIM	OTEMP	SYNC-FAIL

INT-CH Interrupt channel bit. This bit indicates that the corresponding channel caused the last interrupt. Will be automatically set to zero after all interrupt registers were read.

INT-CH = 0 No interrupt in corresponding channel.

INT-CH = 1 Interrupt caused by corresponding channel.

HOOK On/off-hook information for the loop in all operating modes, filtered by the DUP (Data Upstream Persistence) counter and interrupt generation masked by the HOOK-M bit. A change of this bit generates an interrupt.

HOOK = 0 On-hook.

HOOK = 1 Off-hook.

GNDK Ground-Key or Ground Start information via the IL pin in all active modes, filtered for AC suppression by the DUP counter and interrupt generation masked by the GNDK-M bit. A change of this bit generates an interrupt.

GNDK = 0 No longitudinal current detected.

GNDK = 1 Longitudinal current detected (Ground Key or Ground Start).

GNKP Ground Key polarity. Indicating the active Ground Key level (positive/negative) interrupt generation masked by the GNKP-M bit. A change of this bit generates an interrupt. This bit can be used to get information about interference voltage influence.

GNKP = 0 Negative Ground Key threshold level active.

GNKP = 1 Positive Ground Key threshold level active.

Preliminary
SLICOFI-2x Command Structure and Programming

- ICON** Constant current information. Filtered by DUP-IO counter and interrupt generation masked by the ICON-M bit. A change of this bit generates an interrupt.
- ICON = 0 Resistive or constant voltage feeding.
- ICON = 1 Constant current feeding.
-
- VRTLIM** Exceeding of a programmed voltage threshold for the TIP/RING voltage, filtered by the DUP-IO counter and interrupt generation masked by the VRTLIM-M bit. A change of this bit causes an interrupt. The voltage threshold for the TIP/RING voltage is set in CRAM (calculated with DuSLICOS DC Control Parameter 2/3: Tip-Ring Threshold).
- VRTLIM = 0 Voltage at Ring/Tip is below the limit.
- VRTLIM = 1 Voltage at Ring/Tip is above the limit.
-
- OTEMP** Thermal overload warning from the SLIC-E/-E2/-P line drivers masked by the OTEMP-M bit. An interrupt is only generated if the OTEMP bit changes from 0 to 1.
- OTEMP = 0 Temperature at SLIC-E/-E2/-P is below the limit.
- OTEMP = 1 Temperature at SLIC-E/-E2/-P is above the limit. In case of bit PDOT-DIS = 0 (register BCR2) the DuSLIC is switched automatically into PDH mode and OTEMP is hold at 1 until the SLICOFI-2 is set to PDH by a CIOP/CIDD command.
-
- SYNC-FAIL** Failure of the Synchronization of the IOM-2/PCM interface. An interrupt is only generated if the SYNC-FAIL bit changes from 0 to 1. Resynchronization of the PCM interface can be done with the Resynchronization command (see [Chapter 6](#))
- SYNC-FAIL = 0 Synchronization OK.
- SYNC-FAIL = 1 Synchronization failure.

Preliminary

SLICOFI-2x Command Structure and Programming

08 _H	INTREG2	Interrupt Register 2 (read-only)	20 _H		Y
-----------------	---------	----------------------------------	-----------------	--	---

Bit	7	6	5	4	3	2	1	0
	LM-THRES	READY	RSTAT	LM-OK	IO[4:1]-DU			

After a hardware reset the RSTAT bit is set and generates an interrupt. Therefore the default value of INTREG2 is 20h. After reading all four interrupt registers, the INTREG2 value changes to 4Fh.

LM-THRES Indication whether the level metering result is above or below the threshold set by the CRAM coefficients

LM-THRES = 0 Level metering result is below threshold.

LM-THRES = 1 Level metering result is above threshold.

READY Indication whether the ramp generator has finished. An interrupt is only generated if the READY bit changes from 0 to 1. Upon a new start of the ramp generator, the bit is set to 0. For further information regarding soft reversal see [Chapter 3.7.2.1](#).

READY = 0 Ramp generator active.

READY = 1 Ramp generator not active.

RSTAT Reset status since last interrupt.

RSTAT = 0 No reset has occurred since the last interrupt.

RSTAT = 1 Reset has occurred since the last interrupt.

LM-OK Level metering sequence has finished. An interrupt is only generated if the LM-OK bit changes from 0 to 1.

LM-OK = 0 Level metering result not ready.

LM-OK = 1 Level metering result ready.

IO[4:1]-DU Data on IO pins 1 to 4 filtered by DUP-IO counter and interrupt generation masked by the IO[4:1]-DU-M bits. A change of any of this bits generates an interrupt.

Preliminary

SLICOFI-2x Command Structure and Programming

09 _H	INTREG3	Interrupt Register 3 (read-only)	00 _H		Y
-----------------	---------	----------------------------------	-----------------	--	---

Bit	7	6	5	4	3	2	1	0
	DTMF-OK	DTMF-KEY[4:0]					UTDR-OK	UTDX-OK

DTMF-OK Indication of a valid DTMF Key by the DTMF receiver. A change of this bit generates an interrupt.

DTMF-OK = 0 No valid DTMF Key was encountered by the DTMF receiver.

DTMF-OK = 1 A valid DTMF Key was encountered by the DTMF receiver.

DTMF-KEY[4:0] Valid DTMF keys decoded by the DTMF receiver.

Table 48 Valid DTMF Keys (Bit DTMF-KEY4 = 1)

f_{Low} [Hz]	f_{HIGH} [Hz]	DIGIT	DTMF-KEY4	DTMF-KEY3	DTMF-KEY2	DTMF-KEY1	DTMF-KEY0
697	1209	1	1	0	0	0	1
697	1336	2	1	0	0	1	0
697	1477	3	1	0	0	1	1
770	1209	4	1	0	1	0	0
770	1336	5	1	0	1	0	1
770	1477	6	1	0	1	1	0
852	1209	7	1	0	1	1	1
852	1336	8	1	1	0	0	0
852	1477	9	1	1	0	0	1
941	1336	0	1	1	0	1	0
941	1209	*	1	1	0	1	1
941	1477	#	1	1	1	0	0
697	1633	A	1	1	1	0	1
770	1633	B	1	1	1	1	0

Table 48 Valid DTMF Keys (Bit DTMF-KEY4 = 1) (cont'd)

f_{LOW} [Hz]	f_{HIGH} [Hz]	DIGIT	DTMF-KEY4	DTMF-KEY3	DTMF-KEY2	DTMF-KEY1	DTMF-KEY0
852	1633	C	1	1	1	1	1
941	1633	D	1	0	0	0	0

UTDR-OK Universal Tone Detection Receive (e.g., Fax/Modem tones)
 UTDR-OK = 0 No specific tone signal was detected.
 UTDR-OK = 1 A specific tone signal was detected.

UTDX-OK Universal Tone Detection Transmit (e.g., Fax/Modem tones)
 UTDX-OK = 0 No specific tone signal was detected.
 UTDX-OK = 1 A specific tone signal was detected.

Preliminary

SLICOFI-2x Command Structure and Programming

0A _H	INTREG4	Interrupt Register 4 (read-only)	00 _H		Y
-----------------	---------	----------------------------------	-----------------	--	---

Bit	7	6	5	4	3	2	1	0
	EDSP-FAIL	0	0	0	CIS-BOF	CIS-BUF	CIS-REQ	CIS-ACT

EDSP-FAIL Indication of a malfunction of the Enhanced Digital Signal Processor EDSP.
 EDSP-FAIL = 0 Enhanced Digital Signal Processor EDSP normal operation.
 EDSP-FAIL = 1 Enhanced Digital Signal Processor EDSP failure. It is necessary to restart this DSP with bit EDSP-EN in the XCR register set.

CIS-BOF Caller ID buffer overflow. An interrupt is only generated if the CIS-BOF bit changes from 0 to 1.
 CIS-BOF = 0 Not data buffer overflow has occurred.
 CIS-BOF = 1 Too many bytes have been written to the data buffer for Caller ID generation. Caller ID generation is aborted and the buffer is cleared.

CIS-BUF Caller ID buffer underflow. An interrupt is only generated if the CIS-BUF bit changes from 0 to 1.
 CIS-BUF = 0 Data buffer for Caller ID generation is filled.
 CIS-BUF = 1 Data buffer for Caller ID generation is empty (underflow).

CIS-REQ Caller ID data request. An interrupt is only generated if the CIS-REQ bit changes from 0 to 1.

CIS-REQ = 0 Caller ID data buffer requests no data.

CIS-REQ = 1 Caller ID data buffer requests more data to transmit, when the amount of data stored in the buffer is less than the buffer request size.

CIS-ACT Caller ID generator active.

This is a status bit only. No interrupt will be generated.

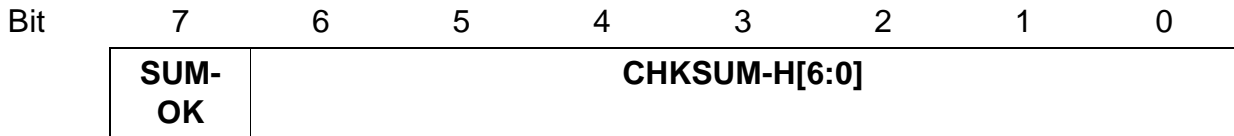
CIS-ACT = 0 Caller ID generator is not active.

CIS-ACT = 1 Caller ID generator is active.

Preliminary

SLICOFI-2x Command Structure and Programming

0B_H	CHKR1	Checksum Register 1 (High Byte) (read-only)	00_H		Y
-----------------------	--------------	--	-----------------------	--	----------



SUM-OK

Information about the validity of the checksum. The checksum is valid if the internal checksum calculation is finished.

Checksum calculation:

```

For (cram_adr = 0 to 159) do
cram_dat = cram[cram_adr]
csum[14:0] = (csum[13:0] &1'0') xor
('0000000' & cram_dat[7:0]) xor
('00000000000000' & csum[14] & csum[14])
End
  
```

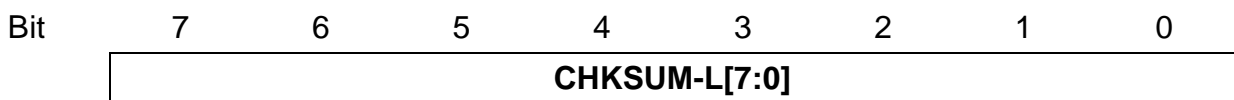
SUM-OK = 0 CRAM checksum is not valid.

SUM-OK = 1 CRAM checksum is valid.

1) “&” means a concatenation, not the logic operation

CHKSUM-H[6:0] CRAM checksum high byte

0C_H	CHKR2	Checksum Register 2 (Low Byte) (read-only)	00_H		Y
-----------------------	--------------	---	-----------------------	--	----------



CHKSUM-L[7:0] CRAM checksum low byte

Preliminary

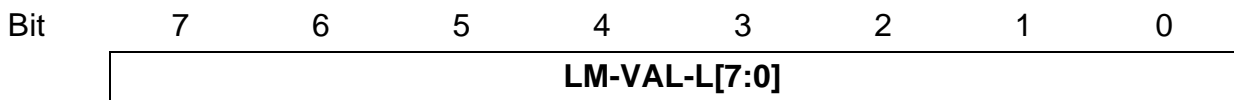
SLICOFI-2x Command Structure and Programming

0D_H	LMRES1	Level Metering Result 1 (High Byte) (read-only)	00_H		Y
-----------------------	---------------	--	-----------------------	--	----------



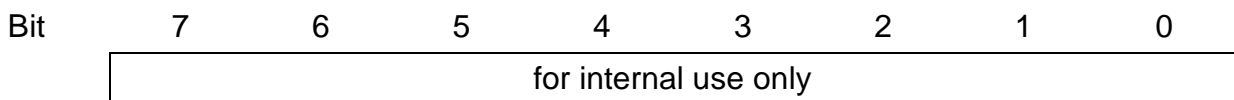
LM-VAL-H[7:0] LM result high byte
(selected by the LM-SEL bits in the LMCR2 register)

0E_H	LMRES2	Level Metering Result 2 (Low Byte) (read-only)	00_H		Y
-----------------------	---------------	---	-----------------------	--	----------

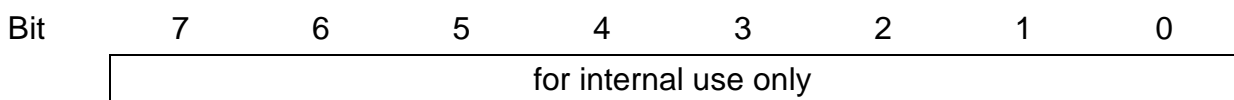


LM-VAL-L[7:0] LM result low byte
(selected by the LM-SEL bits in the LMCR2 register)

0F_H	FUSE2	Fuse Register 2	hw		Y
-----------------------	--------------	-----------------	-----------	--	----------



10_H	FUSE3	Fuse Register 3	hw		Y
-----------------------	--------------	-----------------	-----------	--	----------



Preliminary
SLICOFI-2x Command Structure and Programming

11_H	MASK	Mask Register	FF_H	Y
-----------------------	-------------	---------------	-----------------------	----------

Bit	7	6	5	4	3	2	1	0
	READY -M	HOOK -M	GNDK -M	GNKP -M	ICON -M	VRTLIM -M	OTEMP -M	SYNC -M

The mask bits in the mask register only influence the generation of an interrupt. Even if the mask bit is set to 1, the corresponding status bit in the INTREGx registers gets updated to show the current status of the corresponding event.

- READY-M** Mask bit for Ramp Generator READY bit
 READY-M = 0 An interrupt is generated if the READY bit changes from 0 to 1.
 READY-M = 1 Changes of the READY bit don't generate interrupts.
- HOOK-M** Mask bit for Off-hook Detection HOOK bit
 HOOK-M = 0 Each change of the HOOK bit generates an interrupt.
 HOOK-M = 1 Changes of the HOOK bit don't generate interrupts.
- GNDK-M** Mask bit for Ground Key Detection GNDK bit
 GNDK-M = 0 Each change of the GNDK bit generates an interrupt.
 GNDK-M = 1 Changes of the GNDK bit don't generate interrupts.
- GNKP-M** Mask bit for Ground Key Level GNKP bit
 GNKP-M = 0 Each change of the GNKP bit generates an interrupt.
 GNKP-M = 1 Changes of the GNKP bit don't generate interrupts.
- ICON-M** Mask bit for Constant Current Information ICON bit
 ICON-M = 0 Each change of the ICON bit generates an interrupt.
 ICON_M = 1 Changes of the ICON bit don't generate interrupts.
- VRTLIM-M** Mask bit for Programmed Voltage Limit VRTLIM bit
 VRTLIM-M = 0 Each change of the VRTLIM bit generates an interrupt.
 VRTLIM-M = 1 Changes of the VRTLIM bit don't generate interrupts.

Preliminary

SLICOFI-2x Command Structure and Programming

OTEMP-M Mask bit for Thermal Overload Warning OTEMP bit

OTEMP-M = 0 A change of the OTEMP bit from 0 to 1 generates an interrupt.

OTEMP-M = 1 A change of the OTEMP bit from 0 to 1 doesn't generate interrupts.

SYNC-M Mask bit for Synchronization Failure SYNC-FAIL bit

SYNC-M = 0 A change of the SYNC-FAIL bit from 0 to 1 generates an interrupt.

SYNC-M = 1 A change of the SYNC-FAIL bit from 0 to 1 doesn't generate interrupts.

12_H	IOCTL1	IO Control Register 1	0F_H		Y			
Bit	7	6	5	4	3	2	1	0
	IO[4:1]-INEN				IO[4:1]-M			

The mask bits IO[4:1]-M only influence the generation of an interrupt. Even if the mask bit is set to 1, the corresponding status bit in the INTREGx registers gets updated to show the current status of the corresponding event.

IO4-INEN Input enable for programmable IO pin IO4
 IO4-INEN = 0 Input Schmitt trigger of pin IO4 is disabled.
 IO4-INEN = 1 Input Schmitt trigger of pin IO4 is enabled.

IO3-INEN Input enable for programmable IO pin IO3
 IO3-INEN = 0 Input Schmitt trigger of pin IO3 is disabled.
 IO3-INEN = 1 Input Schmitt trigger of pin IO3 is enabled.

IO2-INEN Input enable for programmable IO pin IO2
 IO2-INEN = 0 Input Schmitt trigger of pin IO2 is disabled.
 IO2-INEN = 1 Input Schmitt trigger of pin IO2 is enabled.

IO1-INEN Input enable for programmable IO pin IO1
 IO1-INEN = 0 Input Schmitt trigger of pin IO1 is disabled.
 IO1-INEN = 1 Input Schmitt trigger of pin IO1 is enabled.

IO4-M Mask bit for IO4-DU bit
 IO4-M = 0 Each change of the IO4 bit generates an interrupt.
 IO4-M = 1 Changes of the IO4 bit don't generate interrupts.

IO3-M Mask bit for IO3-DU bit
 IO3-M = 0 Each change of the IO3 bit generates an interrupt.
 IO3-M = 1 Changes of the IO3 bit don't generate interrupts.

Preliminary**SLICOFI-2x Command Structure and Programming****IO2-M**

Mask bit for IO2-DU bit

IO2-M = 0 Each change of the IO2 bit generates an interrupt.

IO2-M = 1 Changes of the IO2 bit don't generate interrupts.

IO1-M

Mask bit for IO1-DU bit

IO1-M = 0 Each change of the IO1 bit generates an interrupt.

IO1-M = 1 Changes of the IO1 bit don't generate interrupts.

13_H	IOCTL2	IO Control Register 2	00_H	Y
-----------------------	---------------	-----------------------	-----------------------	----------

Bit	7	6	5	4	3	2	1	0
	IO[4:1]-OEN				IO[4:1]-DD			

IO4-OEN Enabling output driver of the IO4 pin

IO4-OEN = 0 The output driver of the IO4 pin is disabled.

IO4-OEN = 1 The output driver of the IO4 pin is enabled.

IO3-OEN Enabling output driver of the IO3 pin

IO3-OEN = 0 The output driver of the IO3 pin is disabled.

IO3-OEN = 1 The output driver of the IO3 pin is enabled.

IO2-OEN Enabling output driver of the IO2 pin.

If SLIC-P is selected (bits SEL-SLIC [1:0] in register BCR1 set to 01), pin IO2 cannot be controlled by the user but is utilized by the SLICOFI-2 to control the C3 input of SLIC-P.

IO2-OEN = 0 The output driver of the IO2 pin is disabled.

IO2-OEN = 1 The output driver of the IO2 pin is enabled.

IO1-OEN Enabling output driver of the IO1 pin.

If external ringing is selected (bit REXT-EN in register BCR2 set to 1), pin IO1 cannot be controlled by the user but is utilized by the SLICOFI-2 to control the ring relay.

IO1-OEN = 0 The output driver of the IO1 pin is disabled.

IO1-OEN = 1 The output driver of the IO1 pin is enabled.

IO4-DD Value for the programmable IO pin IO4 if programmed as an output pin.

IO4-DD = 0 The corresponding pin is driving a logic 0.

IO4-DD = 1 The corresponding pin is driving a logic 1.

IO3-DD Value for the programmable IO pin IO3 if programmed as an output pin.

IO3-DD = 0 The corresponding pin is driving a logic 0.

IO3-DD = 1 The corresponding pin is driving a logic 1.

Preliminary

SLICOFI-2x Command Structure and Programming

IO2-DD Value for the programmable IO pin IO2 if programmed as an output pin.

IO2-DD = 0 The corresponding pin is driving a logic 0.

IO2-DD = 1 The corresponding pin is driving a logic 1.

IO1-DD Value for the programmable IO pin IO1 if programmed as an output pin.

IO1-DD = 0 The corresponding pin is driving a logic 0.

IO1-DD = 1 The corresponding pin as driving a logic 1.

14 _H	IOCTL3	IO Control Register 3	94 _H		Y
-----------------	--------	-----------------------	-----------------	--	---

Bit	7	6	5	4	3	2	1	0
	DUP[3:0]				DUP-IO[3:0]			

DUP[3:0] Data Upstream Persistence Counter end value. Restricts the rate of interrupts generated by the HOOK bit in the interrupt register INTREG1. The interval is programmable from 1 to 16 ms in steps of 1 ms (reset value is 10 ms).
The DUP[3:0] value affects the blocking period for ground key detection (see [Chapter 3.6](#)).

DUP[3:0]	HOOK Active, Ringing	HOOK Power Down	GNDK	GNDK $f_{min,ACsup}$ ¹⁾
0000	1	2 ms	4 ms	125 Hz
0001	2	4 ms	8 ms	62.5 Hz
...				
1111	16	32 ms	64 ms	7.8125 Hz

¹⁾ Minimum frequency for AC suppression.

DUP-IO[3:0] Data Upstream Persistence Counter end value for

- the IO pins when used as digital input pins.
- the bits ICON and VRTLIM in register INTREG1.

The interval is programmable from 0.5 to 60.5 ms in steps of 4 ms (reset value is 16.5 ms).

15 _H	BCR1	Basic Configuration Register 1	00 _H		Y
-----------------	------	--------------------------------	-----------------	--	---

Bit	7	6	5	4	3	2	1	0
	HIR	HIT	SLEEP-EN	REVPOL	ACTR	ACTL	SEL-SLIC[1:0]	

HIR This bit modifies different basic modes. In ringing mode an unbalanced ringing on the RING wire (ROR) is enabled. In active mode, high impedance on the RING wire is activated (HIR). If the HIT bit is set in addition to the HIR bit, the HIRT mode is activated.

HIR = 0 Normal operation (ringing mode).

HIR = 1 Controls SLIC-E/-E2/-P interface and sets the RING wire to high impedance (active mode).

HIT This bit modifies different basic modes. In ringing mode an unbalanced ringing on the TIP wire (ROT) is enabled. In active mode, high impedance on the TIP wire is performed (HIT). If the HIR bit is set in addition to the HIT bit, the HIRT mode is activated.

HIT = 0 Normal operation (ringing mode).

HIT = 1 Controls SLIC-E/-E2/-P interface and sets the TIP wire to high impedance (active mode).

SLEEP-EN Enables Sleep mode of the DuSLIC channel. Valid only in the Power Down mode of the SLICOFI-2.

SLEEP-EN = 0 Sleep mode is disabled.

SLEEP-EN = 1 Sleep mode is enabled.

REVPOL Reverses the polarity of DC feeding

REVPOL = 0 Normal polarity.

REVPOL = 1 Reverse polarity.

Preliminary
SLICOFI-2x Command Structure and Programming

- ACTR** Selection of extended battery feeding in Active mode. Changes also the voltage in Power Down Resistive mode for SLIC-P. In this case V_{BATR} for SLIC-P and $V_{HR} - V_{BATH}$ for SLIC-E/-E2 is used.
- ACTR = 0 No extended battery feeding selected.
- ACTR = 1 Extended battery feeding selected.
-
- ACTL** Selection of the low battery supply voltage V_{BATL} on SLIC-E/-E2/-P if available. Valid only in the Active mode of the SLICOFI-2.
- ACTL = 0 Low battery supply voltage on SLIC-E/-E2/-P is not selected.
- ACTL = 1 Low battery supply voltage on SLIC-E/-E2/-P is selected.
-
- SEL-SLIC[1:0]** Selection of the current SLIC type used. For SLIC-E/-E2 and SLIC-P, the appropriate predefined mode table has to be selected.
- SEL-SLIC[1:0] = 0 0 SLIC-E/-E2 selected.
- SEL-SLIC[1:0] = 0 1 SLIC-P selected.
- SEL-SLIC[1:0] = 1 0 SLIC-P selected for extremely power sensitive applications using external ringing.
- SEL-SLIC[1:0] = 1 1 Reserved for future use.
- For SLIC-P two selections are possible.
- The standard SLIC-P selection automatically uses the IO2 pin of the SLICOFI-2 to control the C3 pin of the SLIC-P. By using pin C3 additionally to the pins C1 and C2 all possible operating modes of the SLIC-P can be selected.
 - For extremely power sensitive applications using external ringing with SLIC-P SEL-SLIC[1:0] = 10 should be chosen. In this case internal unbalanced ringing is not needed and therefore there is no need to switch the C3 pin of the SLIC-P to 'High'. The C3 pin of the SLIC-P has to be connected to GND and the IO2 pin of the SLICOFI-2 is free programmable for the user.
- There is no need for a high battery voltage for ringing either. This mode uses V_{BATR} for the on-hook voltage (e.g. – 48 V) in Power Down Resistive (PDR) mode and the other battery supply voltages (e.g. $V_{BATH} = -24$ V and $V_{BATL} = -18$ V) can be used for the off-hook state. This will help to save power because the lowest possible battery voltage can be selected (see DuSLIC Voltage and Power Application Note).

Preliminary
SLICOFI-2x Command Structure and Programming

16_H	BCR2	Basic Configuration Register 2	00_H	Y
-----------------------	-------------	--------------------------------	-----------------------	----------

Bit	7	6	5	4	3	2	1	0
	REXT-EN	SOFT-DIS	TTX-DIS	TTX-12K	HIM-AN	AC-XGAIN	UTDX-SRC	PDOT-DIS

REXT-EN Enables the use of an external ring signal generator. The synchronization is done via the RSYNC pin and the Ring Burst Enable signal is transferred via the IO1 pin.

REXT-EN = 0 External ringing is disabled.

REXT-EN = 1 External ringing enabled.

SOFT-DIS Polarity soft reversal (to minimize noise on DC feeding)

SOFT-DIS = 0 Polarity soft reversal active.

SOFT-DIS = 1 Polarity hard reversal.

TTX-DIS Disables the generation of TTX bursts for metering signals. If TTX bursts are disabled, reverse polarity will be used instead.

TTX-DIS = 0 TTX bursts are enabled.

TTX-DIS = 1 TTX bursts are disabled, reverse polarity used.

TTX-12K Selection of TTX frequencies

TTX-12K = 0 Selects 16 kHz TTX signals instead of 12 kHz signals.

TTX-12K = 1 12 kHz TTX signals.

HIM-AN Higher impedance in analog impedance matching loop.

HIM-AN corresponds to the coefficients calculated with DuSLICOS. If the coefficients are calculated with standard impedance in analog impedance matching loop, HIM-AN must be set to 0; if the coefficients are calculated with high impedance in analog impedance matching loop, HIM-AN must be set to 1.

HIM-AN = 0 Standard impedance in analog impedance matching loop (300 Ω).

HIM-AN = 1 High impedance in analog impedance matching loop (600 Ω).

Preliminary
SLICOFI-2x Command Structure and Programming

AC-XGAIN Analog gain in transmit direction (should be set to zero).

AC-XGAIN = 0 No additional analog gain in transmit direction.

AC-XGAIN = 1 Additional 6 dB analog amplification in transmit direction.

UTDX-SRC Universal Tone Detector transmit source

UTDX-SRC = 0 The Universal Tone Detection unit uses the data from the transmit path directly (UTDX-SUM = 0) or uses the data from the sum signal of receive path and LEC (if LEC is enabled) (UTDX-SUM = 1).

UTDX-SRC = 1 The Universal Tone Detection unit uses the data from the LEC output, if the LEC is enabled (LEC-EN = 1), otherwise the UTD unit uses automatically the transmit signal.

(see [Figure 32](#) on [Page 63](#))

PDOT-DIS Power Down Overtemperature Disable

PDOT-DIS = 0 When overtemperature is detected, the SLIC is automatically switched into Power Down High Impedance mode (PDH). This is the safe operation mode for the SLIC-E/-E2/-P in case of overtemperature. To leave the automatically activated PDH mode, DuSLIC has to be switched manually to PDH mode and then in the mode as desired.

PDOT-DIS = 1 When over temperature is detected, the SLIC-E/-E2/-P doesn't automatically switch into Power Down High Impedance mode. In this case the output current of the SLIC-E/-E2/-P buffers is limited to a value which keeps the SLIC-E/-E2/-P temperature below the upper temperature limit.

Preliminary

SLICOFI-2x Command Structure and Programming

17 _H	BCR3	Basic Configuration Register 3	00 _H	Y
-----------------	------	--------------------------------	-----------------	---

Bit	7	6	5	4	3	2	1	0
	MU-LAW	LIN	PCM16K	PCMX-EN	CONFX-EN	CONF-EN	LPRX-CR	CRAM-EN

MU-LAW Selects the PCM Law
 MU-LAW = 0 A-Law enabled.
 MU-LAW = 1 μ -Law enabled.

LIN Voice transmission in a 16-bit linear representation for test purposes.
Note: Voice transmission on the other channel is inhibited if one channel is set to linear mode and IOM-2-interface is used. In the PCM/ μ C interface mode both channels can be in linear mode using two consecutive PCM timeslots on the highways. A proper timeslot selection must be specified.
 LIN = 0 PCM mode enabled (8 bit, A-law or μ -law).
 LIN = 1 Linear mode enabled (16 bit).

PCM16K Selects 16-kHz sample rate for the PCM interface.
 PCM16K = 0 16-kHz mode disabled (8 kHz sampling rate).
 PCM16K = 1 16-kHz mode enabled.

PCMX-EN Enables writing of subscriber voice data to the PCM highway.
 PCMX-EN = 0 Writing of subscriber voice data to PCM highway is disabled.
 PCMX-EN = 1 Writing of subscriber voice data to PCM highway is enabled.

CONFX-EN Enables an external three-party conference.
 CONFX-EN = 0 External conference is disabled.
 CONFX-EN = 1 External conference is enabled.

Preliminary

SLICOFI-2x Command Structure and Programming

CONF-EN Selection of three-party conferencing for this channel. The voice data of this channel and the voice data from the corresponding conferencing channels (see [Chapter 5.1.1](#)) are added and fed to analog output (see [Chapter 3.10](#)).

CONF-EN = 0 Three-party conferencing is not selected.

CONF-EN = 1 Three-party conferencing is selected.

LPRX-CR Select CRAM coefficients for the filter characteristic of the LPR/LPX filters. These coefficients may be enabled in case of a modem transmission to improve modem performance.

LPRX-CR = 0 Coefficients from ROM are used.

LPRX-CR = 1 Coefficients from CRAM are used.

CRAM-EN Coefficients from CRAM are used for programmable filters and DC loop behavior.

CRAM-EN = 0 Coefficients from ROM are used.

CRAM-EN = 1 Coefficients from CRAM are used.

Preliminary
SLICOFI-2x Command Structure and Programming

18_H	BCR4	Basic Configuration Register 4	00_H	Y
-----------------------	-------------	--------------------------------	-----------------------	----------

Bit	7	6	5	4	3	2	1	0
	TH-DIS	IM-DIS	AX-DIS	AR-DIS	FRX-DIS	FRR-DIS	HPX-DIS	HPR-DIS

TH-DIS Disables the TH filter.
 TH-DIS = 0 TH filter is enabled.
 TH-DIS = 1 TH filter is disabled ($H_{TH} = 0$).

IM-DIS Disables the IM filter.
 IM-DIS = 0 IM filter is enabled.
 IM-DIS = 1 IM filter is disabled ($H_{IM} = 0$).

AX-DIS Disables the AX filter.
 AX-DIS = 0 AX filter is enabled.
 AX-DIS = 1 AX filter is disabled ($H_{AX} = 1$).

AR-DIS Disables the AR filter.
 AX-DIS = 0 AR filter is enabled.
 AX-DIS = 1 AR filter is disabled ($H_{AR} = 1$).

FRX-DIS Disables the FRX filter.
 FRX-DIS = 0 FRX filter is enabled.
 FRX-DIS = 1 FRX filter is disabled ($H_{FRX} = 1$).

FRR-DIS Disables the FRR filter.
 FRR-DIS = 0 FRR filter is enabled.
 FRR-DIS = 1 FRR filter is disabled ($H_{FRR} = 1$).

HPX-DIS Disables the high-pass filter in transmit direction.
 HPX-DIS = 0 High-pass filter is enabled.
 HPX-DIS = 1 High-pass filter is disabled ($H_{HPX} = 1$).

Preliminary

SLICOFI-2x Command Structure and Programming

- HPR-DIS** Disables the high-pass filter in receive direction.
- HPR-DIS = 0 High-pass filter is enabled.
- HPR-DIS = 1 High-pass filter is disabled ($H_{\text{HPR}} = 1$).

Preliminary

SLICOFI-2x Command Structure and Programming

19 _H	BCR5	Basic Configuration Register 5	00 _H	Y
-----------------	------	--------------------------------	-----------------	---

Bit	7	6	5	4	3	2	1	0
	UTDR-EN	UTDX-EN	CIS-AUTO	CIS-EN	LEC-OUT	LEC-EN	DTMF-SRC	DTMF-EN

UTDR-EN Enables the Universal Tone detection in receive direction.

UTDR-EN = 0 Universal Tone detection is disabled.

UTDR-EN = 1 Universal Tone detection is enabled.

UTDX-EN Enables the Universal Tone detection in transmit direction.

UTDX-EN = 0 Universal Tone detection is disabled.

UTDX-EN = 1 Universal Tone detection is enabled.

CIS-AUTO Controls the turn-off behavior of the Caller ID sender.

CIS-AUTO = 0 The Caller ID sender stops when CIS-EN is switched to 0.

CIS-AUTO = 1 The Caller ID sender continues sending data until the data buffer is empty.

CIS-EN Enables the Caller ID sender in the SLICOFI-2.

Note: The Caller ID sender is configured directly by programming the according POP registers. Caller ID data are written to a 48 byte RAM buffer. According to the buffer request size this influences the CIS-REQ and CIS-BUF bits.

CIS-EN = 0 Caller ID sender is disabled and Caller ID data buffer is cleared after all data are sent or if CIS-AUTO = 0.

CIS-EN = 1 Caller ID sender is enabled and Caller ID data can be written to the data buffer. After the last data bit is sent, stop bits are sent to the subscriber. Caller ID data are sent to the subscriber when the number of bytes written to the buffer exceeds CIS-BRS + 2.

Preliminary

SLICOFI-2x Command Structure and Programming

- LEC-OUT** Line Echo Cancellor result for transmit path.
LEC-OUT = 0 Line Echo Cancellor result used for DTMF only.
LEC-OUT = 1 Line Echo Cancellor result fed to transmit path.
- LEC-EN** Line Echo Cancellor
LEC-EN = 0 Line Echo Cancellor for DTMF disabled.
LEC-EN = 1 Line Echo Cancellor for DTMF enabled.
- DTMF-SRC** Selects data source for DTMF receiver.
DTMF-SRC = 0 The Transmit path data (with or without LEC) is used for the DTMF detection.
DTMF-SRC = 1 The Receive path data is used for the DTMF detection.
- DTMF-EN** Enables the DTMF receiver of the SLICOFI-2. The DTMF receiver will be configured in a proper way by programming registers in the EDSP.
DTMF-EN = 0 DTMF receiver is disabled.
DTMF-EN = 1 DTMF receiver is enabled.

1A _H	DSCR	DTMF Sender Configuration Register	00 _H		Y
-----------------	------	------------------------------------	-----------------	--	---

Bit	7	6	5	4	3	2	1	0
	DG-KEY[3:0]			COR8	PTG	TG2-EN	TG1-EN	

DG-KEY[3:0] Selects one of sixteen DTMF keys generated by the two tone generators. The key will be generated if TG1-EN and TG2-EN are '1'.

Table 49 DTMF Keys

f_{LOW} [Hz]	f_{HIGH} [Hz]	DIGIT	DG-KEY3	DG-KEY2	DG-KEY1	DG-KEY0
697	1209	1	0	0	0	1
697	1336	2	0	0	1	0
697	1477	3	0	0	1	1
770	1209	4	0	1	0	0
770	1336	5	0	1	0	1
770	1477	6	0	1	1	0
852	1209	7	0	1	1	1
852	1336	8	1	0	0	0
852	1477	9	1	0	0	1
941	1336	0	1	0	1	0
941	1209	*	1	0	1	1
941	1477	#	1	1	0	0
697	1633	A	1	1	0	1
770	1633	B	1	1	1	0
852	1633	C	1	1	1	1
941	1633	D	0	0	0	0

COR8 Cuts off receive path at 8 kHz before the tone generator summation point. Allows sending of tone generator signals with no overlaid voice.

COR8 = 0 Cut off receive path disabled.

COR8 = 1 Cut off receive path enabled.

Preliminary

SLICOFI-2x Command Structure and Programming

- PTG** Programmable coefficients for tone generators will be used.
 PTG = 0 Frequencies set by DG-KEY are used for both tone generators.
 PTG = 1 CRAM coefficients used for both tone generators.
- TG2-EN** Enables tone generator two
 TG2-EN = 0 Tone generator is disabled.
 TG2-EN = 1 Tone generator is enabled.
- TG1-EN** Enables tone generator one
 TG1-EN = 0 Tone generator is disabled.
 TG1-EN = 1 Tone generator is enabled.

1B_H		reserved					00_H		Y
Bit	7	6	5	4	3	2	1	0	
	0	0	0	0	0	0	0	0	

Preliminary

SLICOFI-2x Command Structure and Programming

1C _H	LMCR1	Level Metering Configuration Register 1	22 _H		Y
-----------------	-------	---	-----------------	--	---

Bit	7	6	5	4	3	2	1	0
	TEST-EN	LM-EN	LM-THM	PCM2DC	LM2PCM	LM-ONCE	LM-MASK	DC-AD16

TEST-EN Activates the SLICOFI-2 test features controlled by test registers TSTR1 to TSTR5.

TEST-EN = 0 SLICOFI-2 test features are disabled.

TEST-EN = 1 SLICOFI-2 test features are enabled.

(The Test Register bits can be programmed before the TEST-EN bit is set to 1.)

LM-EN Enables level metering. A positive transition of this bit starts level metering (AC and DC).

LM-EN = 0 Level metering stops.

LM-EN = 1 Level metering enabled.

LM-THM Level metering threshold mask bit

LM-THM = 0 A change of the LM-THRES bit (register INTREG2) generates an interrupt.

LM-THM = 1 No interrupt is generated.

PCM2DC PCM voice channel data added to the DC-output.

PCM2DC = 0 Normal operation.

PCM2DC = 1 PCM voice channel data is added to DC output.

LM2PCM Level metering source/result (depending on LM-EN bit) feeding to PCM or IOM-2 interface.

LM2PCM = 0 Normal operation.

LM2PCM = 1 Level metering source/result is fed to the PCM or IOM-2 interface.

Preliminary

SLICOFI-2x Command Structure and Programming

LM-ONCE Level metering execution mode.

LM-ONCE = 0 Level metering is executed continuously.

LM-ONCE = 1 Level metering is executed only once. To start the levelmeter again, the LM-EN bit must again be set from 0 to 1.

LM-MASK Interrupt masking for level metering.

LM-MASK = 0 An interrupt is generated after level metering.

LM-MASK = 1 No interrupt is generated.

DC-AD16 Additional digital amplification in the DC AD path for level metering.

DC-AD16 = 0 Additional gain factor 16 disabled.

DC-AD16 = 1 Additional gain factor 16 enabled.

1D_H	LMCR2	Level Metering Configuration Register 2	00_H		Y
-----------------------	--------------	---	-----------------------	--	----------

Bit	7	6	5	4	3	2	1	0
	LM-NOTCH	LM-FILT	LM-RECT	RAMP-EN	LM-SEL[3:0]			

LM-NOTCH Selection of a notch filter instead of the band-pass filter for level metering.

LM-NOTCH = 0 Notch filter selected.

LM-NOTCH = 1 Band-pass filter selected.

LM-FILT Enabling of a programmable band-pass or notch filter for level metering.

LM-FILT = 0 Normal operation.

LM-FILT = 1 Band-pass/notch filter enabled.

LM-RECT Rectifier in DC level meter

LM-RECT = 0 Rectifier disabled.

LM-RECT = 1 Rectifier enabled.

RAMP-EN The ramp generator works together with the RNG-OFFSET bits in LMCR3 and the LM-EN bit to create different voltage slopes in the DC-Path.

RAMP-EN = 0 Ramp generator disabled.

RAMP-EN = 1 Ramp generator enabled.

LM-SEL[3:0] Selection of the source for the level metering.

LM-SEL[3:0] = 0 0 0 0 AC level metering in transmit

LM-SEL[3:0] = 0 0 0 1 Real part of TTX (TTX_{REAL})

LM-SEL[3:0] = 0 0 1 0 Imaginary part of TTX (TTX_{IMG})

LM-SEL[3:0] = 0 0 1 1 Not used

LM-SEL[3:0] = 0 1 0 0 DC out voltage on DCN-DCP

LM-SEL[3:0] = 0 1 0 1 DC current on IT

LM-SEL[3:0] = 0 1 1 0 AC level metering in receive

LM-SEL[3:0] = 0 1 1 1 AC level metering in receive and transmit
LM-SEL[3:0] = 1 0 0 0 Not used
LM-SEL[3:0] = 1 0 0 1 DC current on IL
LM-SEL[3:0] = 1 0 1 0 Voltage on IO3
LM-SEL[3:0] = 1 0 1 1 Voltage on IO4
LM-SEL[3:0] = 1 1 0 0 Not used
LM-SEL[3:0] = 1 1 0 1 V_{DD}
LM-SEL[3:0] = 1 1 1 0 Offset of DC-Prefi (short circuit on DC-Prefi input)
LM-SEL[3:0] = 1 1 1 1 Voltage on IO4 – IO3

Preliminary

SLICOFI-2x Command Structure and Programming

1E _H	LMCR3	Level Metering Configuration Register 3	00 _H		Y
-----------------	-------	---	-----------------	--	---

Bit	7	6	5	4	3	2	1	0
	AC-SHORT-EN	RTR-SEL	LM-ITIME[3:0]				RNG-OFFSET[1:0]	

AC-SHORT-EN The input pin ITAC will be set to a lower input impedance so that the capacitor C_{ITAC} can be recharged faster during a soft reversal which makes it more silent during conversation.

AC-SHORT-EN = 0 Input impedance of the ITAC pin is standard.

AC-SHORT-EN = 1 Input impedance of the ITAC pin is lowered.

RTR-SEL Ring Trip method selection.

RTR-SEL = 0 Ring Trip with a DC offset is selected.

RTR-SEL = 1 AC Ring Trip is selected. Recommended for short lines only.

LM-ITIME[3:0] Integration Time for AC Level Metering.

LM-ITIME[3:0] = 0 0 0 0 16 ms

LM-ITIME[3:0] = 0 0 0 1 2×16 ms

LM-ITIME[3:0] = 0 0 1 0 3×16 ms

...

LM-ITIME[3:0] = 1 1 1 1 16×16 ms

RNG-OFFSET[1:0] Selection of the Ring Offset source.

Preliminary

SLICOFI-2x Command Structure and Programming

RNG-OFFSET[1:0]	Ring Offset Voltage in Given Mode		
	Active ACTH ACTL	Active Ring ACTR	Ring Pause Ringing
0 0	Voltage given by DC regulation	Voltage given by DC regulation	Ring Offset RO1 Hook Threshold Ring
0 1	Ring Offset RO1/2 (no DC regulation)	Ring Offset RO1 (no DC regulation)	Ring Offset RO1 Hook Threshold Ring
1 0	Ring Offset RO2/2 (no DC regulation)	Ring Offset RO2 (no DC regulation)	Ring Offset RO2 Hook Message Waiting
1 1	Ring Offset RO3/2 (no DC regulation)	Ring Offset RO3 (no DC regulation)	Ring Offset RO3 Hook Message Waiting

By setting the RAMP_EN bit to 1, the ramp generator is started by setting LM_EN from 0 to 1 (see [Figure 71](#)).

Exception: Transition of RNG-OFFSET from 10 to 11 or 11 to 10 where the ramp generator is started automatically (see [Figure 71](#)).

For Ring Offset RO1 the usual "Hook Threshold Ring" is used. Using Ring Offset RO2 or RO3 in any ringing mode (Ringing and Ring Pause) also changes the hook thresholds. In this case the "Hook Message Waiting" threshold is used automatically.

When using the Ring Offsets RO2 and RO3 for Message Waiting an additional lamp current is expected. In this case the Hook Message Waiting threshold should be programmed higher than the Hook Threshold Ring.

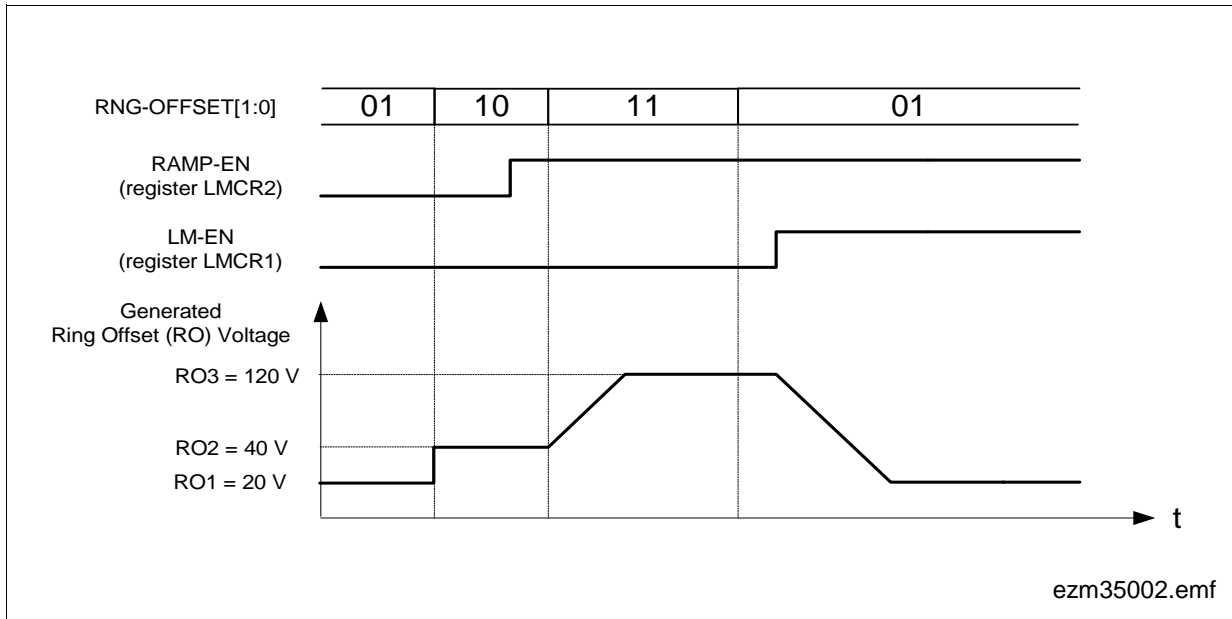


Figure 71 Example for Switching Between Different Ring Offset Voltages

The three programmable Ring Offsets are typically used for the following purposes:

Table 50 Typical Usage for the three Ring Offsets

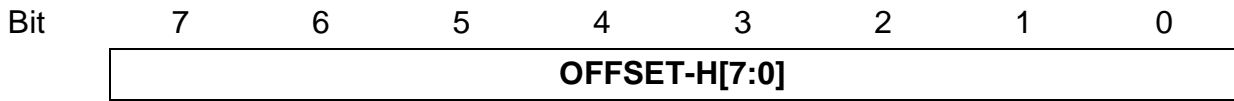
Ring Offset Voltage	Application
Ring Offset RO1	Ringing
Ring Offset RO2	Low voltage for message waiting lamp
Ring Offset RO3	High voltage for message waiting lamp

Besides the typical usage described in [Table 50](#) the Ring Offsets RO1, RO2 and RO3 can also be used for the generation of different custom waveforms (see [Figure 71](#)).

Preliminary

SLICOFI-2x Command Structure and Programming

1F _H	OFR1	Offset Register 1 (High Byte)	00 _H		Y
-----------------	------	-------------------------------	-----------------	--	---



OFFSET-H[7:0] Offset register high byte.

20 _H	OFR2	Offset Register 2 (Low Byte)	00 _H		Y
-----------------	------	------------------------------	-----------------	--	---



OFFSET-L[7:0] Offset register low byte.
 The value of this register together with OFFSET-H is added to the input of the DC loop to compensate a given offset of the current sensors in the SLIC-E/-E2/-P.

Preliminary

SLICOFI-2x Command Structure and Programming

21 _H	PCMR1	PCM Receive Register 1					00 _H	Y
Bit	7	6	5	4	3	2	1	0
	R1-HW	R1-TS[6:0]						

This register is not applicable and not used in IOM-2 mode. Only enabled in PCM/μC mode.

R1-HW Selection of the PCM highway for receiving PCM data or the higher byte of the first data sample if a linear 16-kHz PCM mode is selected.

R1-HW = 0 PCM highway A is selected.

R1-HW = 1 PCM highway B is selected.

R1-TS[6:0] Selection of the PCM time slot used for data reception.

Note: The programmed PCM time slot must correspond to the available slots defined by the PCLK frequency. No reception will occur if a slot outside the actual numbers of slots is programmed. In linear mode (bit LIN = 1 in register BCR3) R1-TS defines the first of two consecutive slots used for reception.

Preliminary

SLICOFI-2x Command Structure and Programming

22_H	PCMR2	PCM Receive Register 2	00_H	Y
-----------------------	--------------	------------------------	-----------------------	----------

Bit	7	6	5	4	3	2	1	0
	R2-HW		R2-TS[6:0]					

This register is not applicable and not used in IOM-2 mode. Only enabled in PCM/μC mode.

R2-HW Selection of the PCM highway for receiving conferencing data for conference channel B or the lower byte of the first data sample if a linear 16-kHz PCM mode is selected.

R2-HW = 0 PCM highway A is selected.

R2-HW = 1 PCM highway B is selected.

R2-TS[6:0] Selection of the PCM time slot used for receiving data (see description of PCMR1 register).

Preliminary

SLICOFI-2x Command Structure and Programming

23 _H	PCMR3	PCM Receive Register 3	00 _H		Y
-----------------	-------	------------------------	-----------------	--	---

Bit	7	6	5	4	3	2	1	0
	R3-HW		R3-TS[6:0]					

This register is not applicable and not used in IOM-2 mode. Only enabled in PCM/μC mode.

R3-HW Selection of the PCM highway for receiving conferencing data for conference channel C or the higher byte of the second data sample if a linear 16-kHz PCM mode is selected.

R3-HW = 0 PCM highway A is selected.

R3-HW = 1 PCM highway B is selected.

R3-TS[6:0] Selection of the PCM time slot used for receiving data (see description of PCMR1 register).

Preliminary

SLICOFI-2x Command Structure and Programming

24 _H	PCMR4	PCM Receive Register 4	00 _H		Y
-----------------	-------	------------------------	-----------------	--	---

Bit	7	6	5	4	3	2	1	0
	R4-HW		R4-TS[6:0]					

This register is not applicable and not used in IOM-2 mode. Only enabled in PCM/μC mode.

R4-HW Selection of the PCM highway for receiving conferencing data for conference channel D or the lower byte of the second data sample if a linear 16-kHz PCM mode is selected.

R4-HW = 0 PCM highway A is selected.

R4-HW = 1 PCM highway B is selected.

R4-TS[6:0] Selection of the PCM time slot used for receiving data (see description of PCMR1 register).

Preliminary

SLICOFI-2x Command Structure and Programming

25 _H	PCMX1	PCM Transmit Register 1	00 _H	Y				
Bit	7	6	5	4	3	2	1	0
	X1-HW		X1-TS[6:0]					

This register is not applicable and not used in IOM-2 mode. Only enabled in PCM/ μ C mode.

X1-HW Selection of the PCM highway for transmitting PCM data or the higher byte of the first data sample if a linear 16-kHz PCM mode is selected.

X1-HW = 0 PCM highway A is selected.

X1-HW = 1 PCM highway B is selected.

X1-TS[6:0] Selection of the PCM time slot used for data transmission.

Note: The programmed PCM time slot must correspond to the available slots defined by the PCLK frequency. No transmission will occur if a slot outside the actual numbers of slots is programmed. In linear mode X1-TS defines the first of two consecutive slots used for transmission. PCM data transmission is controlled by the bits 6 through 2 in register BCR3.

Preliminary

SLICOFI-2x Command Structure and Programming

26 _H	PCMX2	PCM Transmit Register 2	00 _H		Y
-----------------	-------	-------------------------	-----------------	--	---

Bit	7	6	5	4	3	2	1	0
	X2-HW		X2-TS[6:0]					

This register is not applicable and not used in IOM-2 mode. Only enabled in PCM/μC mode.

X2-HW Selection of the PCM highway for transmitting conferencing data for conference channel C + S or C + D or the lower byte of the first data sample if a linear 16-kHz PCM mode is selected.

X2-HW = 0 PCM highway A is selected.

X2-HW = 1 PCM highway B is selected.

X2-TS[6:0] Selection of the PCM time slot used for transmitting data (see description of PCMX1 register).

Preliminary

SLICOFI-2x Command Structure and Programming

27 _H	PCMX3	PCM Transmit Register 3	00 _H	Y
-----------------	-------	-------------------------	-----------------	---

Bit	7	6	5	4	3	2	1	0
	X3-HW		X3-TS[6:0]					

This register is not applicable and not used in IOM-2 mode. Only enabled in PCM/ μ C mode.

X3-HW Selection of the PCM highway for transmitting conferencing data for conference channel B + S or B + D or the lower byte of the first data sample if a linear 16-kHz PCM mode is selected.

X3-HW = 0 PCM highway A is selected.

X3-HW = 1 PCM highway B is selected.

X3-TS[6:0] Selection of the PCM time slot used for transmitting data (see description of PCMX1 register).

Preliminary

SLICOFI-2x Command Structure and Programming

28 _H	PCMX4	PCM Transmit Register 4	00 _H		Y
-----------------	-------	-------------------------	-----------------	--	---

Bit	7	6	5	4	3	2	1	0
	X4-HW		X4-TS[6:0]					

This register is not applicable and not used in IOM-2 mode. Only enabled in PCM/μC mode.

X4-HW Selection of the PCM highway for transmitting conferencing data for conference channel B + C or the lower byte of the first data sample if a linear 16-kHz PCM mode is selected.

X4-HW = 0 PCM highway A is selected.

X4-HW = 1 PCM highway B is selected.

X4-TS[6:0] Selection of the PCM time slot used for transmitting data (see description of PCMX1 register).

Preliminary

SLICOFI-2x Command Structure and Programming

29 _H	TSTR1	Test Register 1	00 _H	T	Y
-----------------	-------	-----------------	-----------------	---	---

Bit	7	6	5	4	3	2	1	0
	PD-AC-PR	PD-AC-PO	PD-AC-AD	PD-AC-DA	PD-AC-GN	PD-GNKC	PD-OFHC	PD-OVTC

Register setting is only active if bit TEST-EN in register LMCR1 is set to 1.

- PD-AC-PR** AC-PREFI power down
 PD-AC-PR = 0 Normal operation.
 PD-AC-PR = 1 Power Down mode.
- PD-AC-PO** AC-POFI power down
 PD-AC-PO = 0 Normal operation.
 PD-AC-PO = 1 Power Down mode.
- PD-AC-AD** AC-ADC power down
 PD-AC-AD = 0 Normal operation.
 PD-AC-AD = 1 Power Down mode, transmit path is inactive.
- PD-AC-DA** AC-DAC power down
 PD-AC-DA = 0 Normal operation.
 PD-AC-DA = 1 Power Down mode, receive path is inactive.
- PD-AC-GN** AC-Gain power down
 PD-AC-GN = 0 Normal operation.
 PD-AC-GN = 1 Power Down mode.
- PD-GNKC** Groundkey comparator (GNKC) is set to power down
 PD-GNKC = 0 Normal operation.
 PD-GNKC = 1 Power Down mode.

Preliminary

SLICOFI-2x Command Structure and Programming

PD-OFHC Off-hook comparator (OFHC) power down

PD-OFHC = 0 Normal operation.

PD-OFHC = 1 Power Down mode.

PD-OVTC Overtemperature comparator (OVTC) power down

PD-OVTC = 0 Normal operation.

PD-OVTC = 1 Power Down mode.

2A_H	TSTR2	Test Register 2					00_H	T	Y
Bit	7	6	5	4	3	2	1	0	
	PD-DC-PR	0	PD-DC-AD	PD-DC-DA	PD-DCBUF	0	PD-TTX-A	PD-HVI	

Register setting is only active if bit TEST-EN in register LMCR1 is set to 1.

- PD-DC-PR** DC-PREFI power down
 PD-DC-PR = 0 Normal operation.
 PD-DC-PR = 1 Power Down mode.
- PD-DC-AD** DC-ADC power down
 PD-DC-AD = 0 Normal operation.
 PD-DC-AD = 1 Power Down mode, transmit path is inactive.
- PD-DC-DA** DC-DAC power down
 PD-DC-DA = 0 Normal operation.
 PD-DC-DA = 1 Power Down mode, receive path is inactive.
- PD-DCBUF** DC-BUFFER power down
 PD-DCBUF = 0 Normal operation.
 PD-DCBUF = 1 Power Down mode.
- PD-TTX-A** TTX Adaptation DAC and POFI power down
 PD-TTX-A = 0 Normal operation.
 PD-TTX-A = 1 Power Down mode.
- PD-HVI** HV interface (to SLIC-E/-E2/-P) power down
 PD-HVI = 0 Normal operation.
 PD-HVI = 1 Power Down mode.

2B_H	TSTR3	Test Register 3	00_H	T	Y
-----------------------	--------------	-----------------	-----------------------	----------	----------

Bit	7	6	5	4	3	2	1	0
	0	0	AC-DLB-4M	AC-DLB-128K	AC-DLB-32K	AC-DLB-8K	0	0

Register setting is only active if bit TEST-EN in register LMCR1 is set to 1.

AC-DLB-4M AC digital loop via a 4-MHz bitstream. (Loop encloses all digital hardware in the AC path. Together with DLB-DC, a pure digital test is possible because there is no influence from the analog hardware.)

AC-DLB-4M = 0 Normal operation.

AC-DLB-4M = 1 Digital loop closed.

AC-DLB-128K AC digital loop via 128 kHz

AC-DLB-128K = 0 Normal operation.

AC-DLB-128K = 1 Digital loop closed.

AC-DLB-32K AC digital loop via 32 kHz

AC-DLB-32K = 0 Normal operation.

AC-DLB-32K = 1 Digital loop closed.

AC-DLB-8K AC digital loop via 8 kHz

AC-DLB-8K = 0 Normal operation.

AC-DLB-8K = 1 Digital loop closed.

Preliminary

SLICOFI-2x Command Structure and Programming

2C_H	TSTR4	Test Register 4					00_H	T	Y
Bit	7	6	5	4	3	2	1	0	
	OPIM-AN	OPIM-4M	COR-64	COX-16	0	0	0	0	

Register setting is only active if bit TEST-EN in register LMCR1 is set to 1.

OPIM-AN Open Impedance Matching Loop in the analog part.

OPIM-AN = 0 Normal operation.

OPIM-AN = 1 Loop opened.

OPIM-4M Open fast digital Impedance Matching Loop in the hardware filters.

OPIM-4M = 0 Normal operation.

OPIM-4M = 1 Loop opened.

COR-64 Cut off the AC receive path at 64 kHz (just before the IM filter).

COR-64 = 0 Normal operation.

COR-64 = 1 Receive path is cut off.

COX-16 Cut off the AC transmit path at 16 kHz. (The TH filter can be tested without influencing the analog part.)

COX-16 = 0 Normal operation.

COX-16 = 1 Transmit path is cut off.

Preliminary

SLICOFI-2x Command Structure and Programming

2D_H	TSTR5	Test Register 5					00_H	T	Y
Bit	7	6	5	4	3	2	1	0	
	0	0	0	DC- POFI- HI	DC- HOLD	0	0	0	

Register setting is only active if bit TEST-EN in register LMCR1 is set to 1.

DC-POFI-HI Higher value for DC post filter limit
 DC-POFI-HI = 0 Limit frequency is set to 100 Hz (normal operation).
 DC-POFI-HI = 1 Limit frequency is set to 300 Hz.

DC-HOLD Actual DC output value hold (value of the last DSP filter stage will be kept)
 DC-HOLD = 0 Normal operation.
 DC-HOLD = 1 DC output value hold.

6.2.2 COP Command

The COP command gives access to the CRAM data of the DSPs. It is organized in the same way as the SOP command. The offset value allows a direct as well as a block access to the CRAM. Writing beyond the allowed offset will be ignored, reading beyond it will give unpredictable results.

The value of a specific CRAM coefficient is calculated by the DuSLICOS software.

Bit	7	6	5	4	3	2	1	0
Byte 1	RD	1	ADR[2:0]			1	0	1
Byte 2	OFFSET[7:0]							

RD Read Data

RD = 0 Write data to chip.

RD = 1 Read data from chip.

ADR[2:0] Channel address for the subsequent data

ADR[2:0] = 0 0 0 Channel A

ADR[2:0] = 0 0 1 Channel B

(other codes reserved for future use)

Preliminary
SLICOFI-2x Command Structure and Programming

Offset [7:0]	Short Name	Long Name
00 _H	TH1	Transhybrid Filter Coefficients Part 1
08 _H	TH2	Transhybrid Filter Coefficients Part 2
10 _H	TH3	Transhybrid Filter Coefficients Part 3
18 _H	FRR	Frequency-response Filter Coefficients Receive Direction
20 _H	FRX	Frequency-response Filter Coefficients Transmit Direction
28 _H	AR	Amplification/Attenuation Stage Coefficients Receive
30 _H	AX	Amplification/Attenuation Stage Coefficients Transmit
38 _H	PTG1	Tone Generator 1 Coefficients
40 _H	PTG2	Tone Generator 2 Coefficients
48 _H	LPR	Low Pass Filter Coefficients Receive
50 _H	LPX	Low Pass Filter Coefficients Transmit
58 _H	TTX	Teletax Coefficients
60 _H	IM1	Impedance Matching Filter Coefficients Part 1
68 _H	IM2	Impedance Matching Filter Coefficients Part 2
70 _H	RINGF	Ringer Frequency and Amplitude Coefficients (DC loop)
78 _H	RAMPF	Ramp Generator Coefficients (DC loop)
80 _H	DCF	DC Characteristics Coefficients (DC loop)
88 _H	HF	Hook Threshold Coefficients (DC loop)
90 _H	TPF	Low-pass Filter Coefficients (DC loop)
98 _H		Reserved

Preliminary
SLICOFI-2x Command Structure and Programming
Table 51 CRAM Coefficients

Byte 7	Byte 6	Byte 5	Byte 4	Byte 3	Byte 2	Byte 1	Byte 0	Offset [7:0]									
Transhybrid Coefficient Part 1								00 _H	TH1								
Transhybrid Coefficient Part 2								08 _H	TH2								
Transhybrid Coefficient Part 3								10 _H	TH3								
FIR Filter in Receive Direction								18 _H	FRR								
FIR Filter in Transmit Direction								20 _H	FRX								
				LM Threshold	2nd Gain Stage Receive	1st Gain Stage Receive		28 _H	AR								
Bandpass for AC LM			Conference Gain	LM-AC	2nd Gain Stage Transmit	1st Gain Stage Transmit		30 _H	AX								
				TG1 Bandpass		TG1 Gain	TG1 Frequency	38 _H	PTG1 ¹⁾								
				TG2 Bandpass		TG2 Gain	TG2 Frequency	40 _H	PTG2 ¹⁾								
LPR								48 _H	LPR ²⁾								
LPX								50 _H	LPX ²⁾								
FIR Filter for TTX						TTX Slope	TTX Level	58 _H	TTX								
IM K Factor		IM FIR Filter						60 _H	IM1_F								
IM 4 MHz Filter			IM WDF Filter						68 _H	IM2_F							
LM DC Gain		Ring Generator Amplitude		Ring Generator Frequency		Ring Generator Low-pass	Ring Offset RO1	70 _H	RINGF								
	Extended Battery Feeding Gain	Soft Reversal End		Constant Ramp CR		Soft Ramp SS	Ring Delay RD	78 _H	RAMPF								
Res. in Resistive Zone R _{K12}		Res. in Constant Current Zone R _I		Constant Current I _{K1}		Knee Voltage V _{K1}	Open Circuit Volt. V _{LIM}	80 _H	DCF								
Hook Message Waiting		Hook Threshold AC Ringtrip		Hook Threshold Ring		Hook Threshold Active	Hook Threshold Power Down	88 _H	HF								
Ring Offset RO3		Ring Offset RO2		Voltage Level VRT		DC Low-pass Filter TP2	DC Low-pass Filter TP1	90 _H	TPF								
Reserved								98 _H									
16	15	14	13	12	11	10	9	8	7	6	5	4	3	2	1		

Note: CRAM coefficients are enabled by setting bit CRAM-EN in register BCR3 to 1, except coefficients marked ¹⁾ and ²⁾:

Coefficients marked ¹⁾ are enabled by setting bit PTG in register DSCR to 1.

Coefficients marked ²⁾ are enabled by setting bit LPRX-CR in register BCR3 to 1.

6.2.2.1 CRAM Programming Ranges
Table 52 CRAM Programming Ranges

Parameter	Programming Range
Constant Current I_{K1}	0...50 mA, $\Delta < 0.5$ mA
Hook Message Waiting, Hook Thresholds	0..25 mA, $\Delta < 0.7$ mA 25...50 mA, $\Delta < 1.3$ mA
Ring Generator Frequency f_{RING}	3..40 Hz, $\Delta < 1$ Hz 40..80 Hz, $\Delta < 2$ Hz > 80 Hz, $\Delta < 4$ Hz
Ring Generator Amplitude	0..20 V, $\Delta < 1.7$ V 20..85 V, $\Delta < 0.9$ V
Ring Offset RO1, RO2, RO3	0..25 V, $\Delta < 0.6$ V 25..50 V, $\Delta < 1.2$ V 50..100 V, $\Delta < 2.4$ V, max. 150 V
Knee Voltage V_{K1} , Open Circuit Voltage V_{LIM}	0..25 V, $\Delta < 0.6$ V 25..50 V, $\Delta < 1.2$ V > 50 V, $\Delta < 2.4$ V
Resistance in Resistive Zone R_{K12}	0..1000 Ω , $\Delta < 30$ Ω
Resistance in Constant Current Zone R_I	1.8 k Ω ..4.8 k Ω , $\Delta < 120$ Ω 4.8 k Ω ..9.6 k Ω , $\Delta < 240$ Ω 9.6 k Ω ..19 k Ω , $\Delta < 480$ Ω 19 k Ω ..38 k Ω , $\Delta < 960$ Ω , max. 40 k Ω

Preliminary

SLICOFI-2x Command Structure and Programming

6.2.3 POP Command

The POP command provides access to the EDSP registers of the SLICOFI-2.

Before using an EDSP function the according POP registers have to be programmed.

Any change in any of the POP registers (except registers CIS-DAT and CIS/LEC-MODE) is only updated with enabling the corresponding device. For example a change of the center frequency f_C of the UTD is handled by changing the registers UTD-CF-H and UTD-CF-L, switching off the UTD and switching it on again.

The POP registers do not have default values after any kind of reset.

6.2.3.1 POP Register Overview

00 _H	CIS-DAT	Caller ID Sender Data Buffer (write-only)				
	[Empty Register Box]					
30 _H	DTMF-LEV	DTMF Receiver Level Byte				
	<table border="1" style="width: 100%; border-collapse: collapse;"> <tr> <td style="width: 33%; text-align: center;">0</td> <td style="width: 33%; text-align: center;">b</td> <td style="width: 33%; text-align: center;">e</td> </tr> </table>			0	b	e
0	b	e				
31 _H	DTMF-TWI	DTMF Receiver Twist Byte				
	[Empty Register Box]					
32 _H	DTMF-NCF-H	DTMF Receiver Notch Filter Center Frequency High Byte				
	[Empty Register Box]					
33 _H	DTMF-NCF-L	DTMF Receiver Notch Filter Center Frequency Low Byte				
	[Empty Register Box]					
34 _H	DTMF-NBW-H	DTMF Receiver Notch Filter Bandwidth High Byte				
	[Empty Register Box]					
35 _H	DTMF-NBW-L	DTMF Receiver Notch Filter Bandwidth Low Byte				
	[Empty Register Box]					
36 _H	DTMF-GAIN	Gain Stage Control for DTMF Input Signal				
	<table border="1" style="width: 100%; border-collapse: collapse;"> <tr> <td style="width: 50%; text-align: center;">e</td> <td style="width: 50%; text-align: center;">m</td> </tr> </table>			e	m	
e	m					

Preliminary

SLICOFI-2x Command Structure and Programming

37 _H	DTMF-RES1	DTMF Receiver Reserved Byte 1		
38 _H	DTMF-RES2	DTMF Receiver Reserved Byte 2		
39 _H	DTMF-RES3	DTMF Receiver Reserved Byte 3		
3A _H	LEC-LEN	Line Echo Canceller Length	LEN	
3B _H	LEC-POWR	Line Echo Canceller Power Detection Level	POWR	
3C _H	LEC-DELP	Line Echo Canceller Delta Power	DELP	
3D _H	LEC-DELQ	Line Echo Canceller Delta Quality	DELQ	
3E _H	LEC-GAIN-XI	Line Echo Canceller Input Gain Transmit	e	m
3F _H	LEC-GAIN-RI	Line Echo Canceller Input Gain Receive	e	m
40 _H	LEC-GAIN-XO	Line Echo Canceller Output Gain Transmit	e	m
41 _H	LEC-RES1	Line Echo Canceller Reserved Byte 1		

Preliminary

SLICOFI-2x Command Structure and Programming

42 _H	LEC-RES2	Line Echo Canceller Reserved Byte 2					
43 _H	CIS-LEV-H	Caller ID Sender Level High Byte	LEV-H				
44 _H	CIS-LEV-L	Caller ID Sender Level Low Byte	LEV-L				
45 _H	CIS-BRS	Caller ID Sender Buffer Request Size	BRS				
46 _H	CIS-SEIZ-H	Caller ID Sender Number of Seizure Bits High Byte	SEIZ-H				
47 _H	CIS-SEIZ-L	Caller ID Sender Number of Seizure Bits Low Byte	SEIZ-L				
48 _H	CIS-MARK-H	Caller ID Sender Number of Mark Bits High Byte	MARK-H				
49 _H	CIS-MARK-L	Caller ID Sender Number of Mark Bits Low Byte	MARK-L				
4A _H	CIS/LEC-MODE	CIS/LEC Mode Setting					
	LEC-ADAPT	LEC-FREZE	UTDX-SUM	UTDR-SUM	0	0	CIS-FRM
4B _H	UTD-CF-H	Universal Tone Detection Center Frequency High Byte	CF-H				
4C _H	UTD-CF-L	Universal Tone Detection Center Frequency Low Byte	CF-L				

Preliminary

SLICOFI-2x Command Structure and Programming

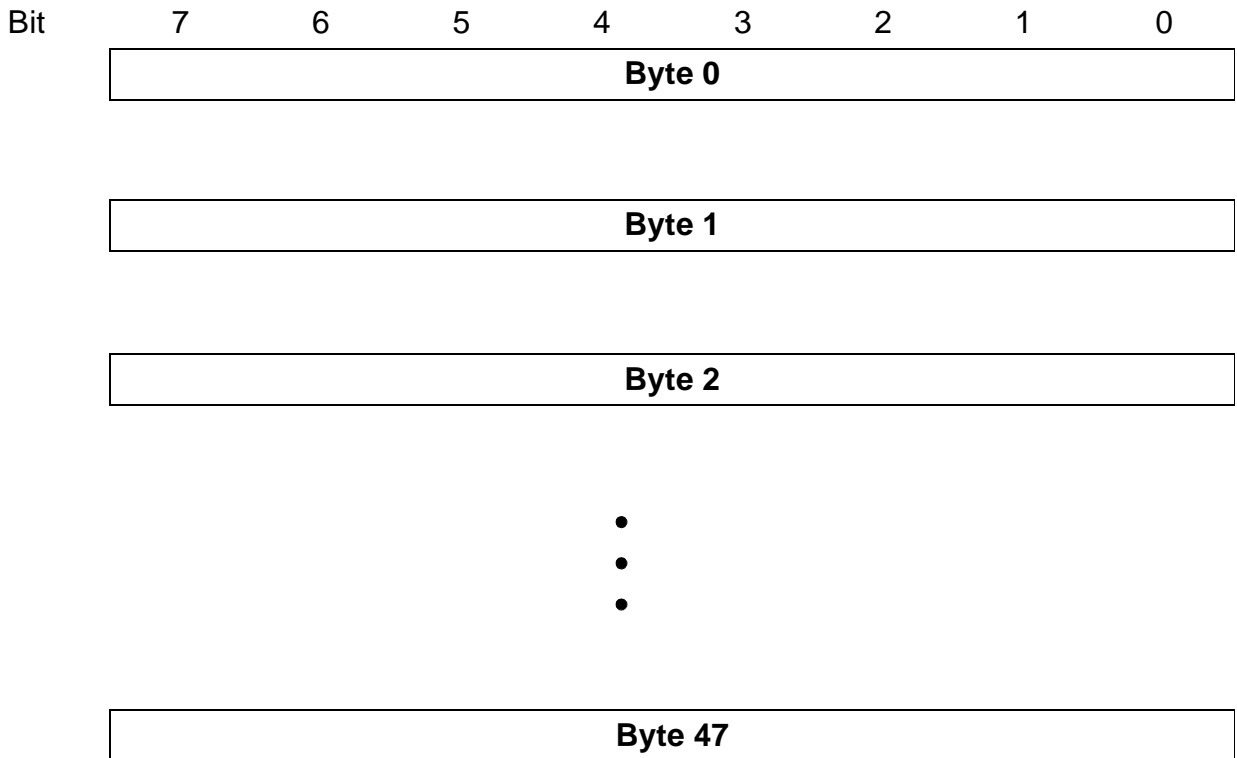
4D _H	UTD-BW-H	Universal Tone Detection Bandwidth High Byte	BW-H
4E _H	UTD-BW-L	Universal Tone Detection Bandwidth Low Byte	BW-L
4F _H	UTD-NLEV	Universal Tone Detection Noise Level	NLEV
50 _H	UTD-SLEV-H	Universal Tone Detection Signal Level High Byte	SLEV-H
51 _H	UTD-SLEV-L	Universal Tone Detection Signal Level Low Byte	SLEV-L
52 _H	UTD-DELT	Universal Tone Detection Delta	DELT-H
53 _H	UTD-RBRK	Universal Tone Detection Recognition Break Time	RBRK
54 _H	UTD-RTIME	Universal Tone Detection Recognition Time	RTIME
55 _H	UTD-EBRK	UTD Allowed Tone End Detection Break Time	EBRK
56 _H	UTD-ETIME	UTD Tone End Detection Time	ETIME

Preliminary

SLICOFI-2x Command Structure and Programming

6.2.4 POP Register Description

00 _H	CIS-DAT	Caller ID Sender Data Buffer (write-only)			Y
-----------------	---------	---	--	--	---



Preliminary

SLICOFI-2x Command Structure and Programming

30_H	DTMF-LEV	DTMF Receiver Level Byte						Y
Bit	7	6	5	4	3	2	1	0
	0		b			e		

Minimum DTMF Signal Detection Level $Level_{DTMFdet}$

- for DTMF detection in transmit:

$$Level_{DTMFdet}[dB] = Level_{DTMFdet}[dBm0] - 3.14 + G_{DTMF}[dB]$$

$$Level_{DTMFdet}[dB] = Level_{DTMFdet}[dBm] - L_x[dBr] - 3.14 + G_{DTMF}[dB]$$

- for DTMF detection in receive:

$$Level_{DTMFdet}[dB] = Level_{DTMFdet}[dBm0] - 3.14 + AR1[dB] + G_{DTMF}[dB]$$

$$Level_{DTMFdet}[dB] = Level_{DTMFdet}[dBm] - L_R[dBr] - 3.14 + AR1[dB] + G_{DTMF}[dB]$$

AR1[dB]: The exact value for AR1 is shown in the DuSLICOS result file; approximate value $AR1 \approx L_R$ for $L_R \leq -2$ dBr, $AR1 \approx -2$ dB for $L_R > -2$ dBr.

$$Level_{DTMFdet}[dB] = -30 - b - 3 \times e[dB]$$

$$-54 \text{ dB} \leq Level_{DTMFdet} \leq -30 \text{ dB}$$

with

$$0 \leq e \leq 7$$

$$0 \leq b \leq 3$$

Alternative representation

$$b = MOD[(-Level_{DTMFdet}[dB] - 30), 3]$$

$$e = INT[(-Level_{DTMFdet}[dB] - 30)/3]$$

Note: MOD = Modulo function, INT = Integer function

Preliminary

SLICOFI-2x Command Structure and Programming



DTMF Receiver Twist is the maximum allowed difference between the signal levels of the two tones for DTMF detection:

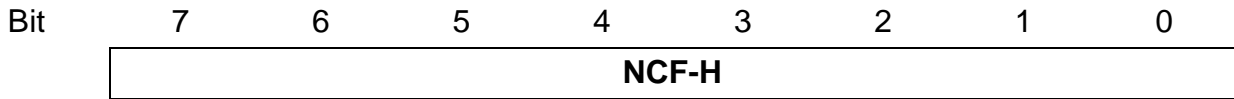
$$TWI[\text{dB}] = 2 \times \text{Twist}_{\text{acc}}[\text{dB}]$$

$$0 \text{ dB} \leq \text{Twist}_{\text{acc}} \leq 12 \text{ dB}$$

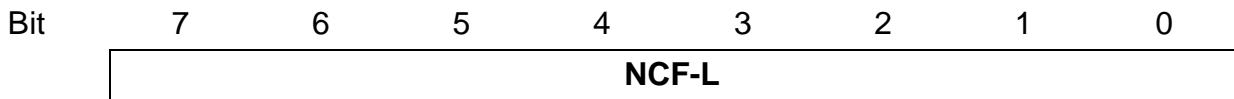
Preliminary

SLICOFI-2x Command Structure and Programming

32_H	DTMF-NCF-H	DTMF Receiver Notch Filter Center Frequency High Byte			Y
-----------------------	-------------------	---	--	--	----------



33_H	DTMF-NCF-L	DTMF Receiver Notch Filter Center Frequency Low Byte			Y
-----------------------	-------------------	--	--	--	----------



DTMF Receiver Notch Filter Center Frequency:

$$NCF = 32768 \times \cos\left(2\pi \frac{f_{NCF} [Hz]}{8000}\right) = NCF-L + 256 \times NCF-H$$

$$0 \text{ Hz} \leq f_{NCF} \leq 2000 \text{ Hz}$$

The bytes are calculated as follows:

$$NCF-L = \text{MOD} (NCF, 256) = NCF \& 0x00FF$$

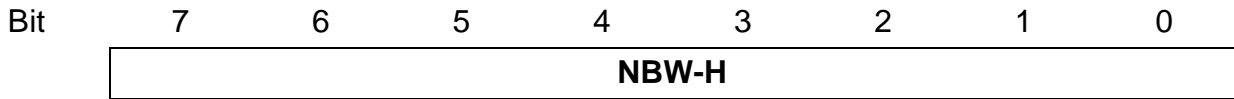
$$NCF-H = \text{INT} (NCF/256) = NCF \gg 8$$

The echo of the dial tone can activate the double talk detection which means that the DTMF tone will not be detected. Therefore a notchfilter can be programmed to filter out the echo of the dialtone, because the frequency of the dialtone is known. The center frequency and the bandwidth of the notch filter can be programmed.

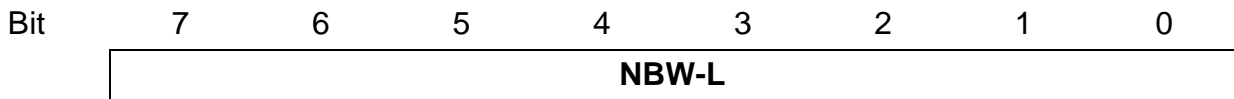
Preliminary

SLICOFI-2x Command Structure and Programming

34_H	DTMF-NBW-H	DTMF Receiver Notch Filter Bandwidth High Byte			Y
-----------------------	-------------------	--	--	--	----------



35_H	DTMF-NBW-L	DTMF Receiver Notch Filter Bandwidth Low Byte			Y
-----------------------	-------------------	---	--	--	----------



DTMF Receiver Notch Filter Bandwidth:

$$NBW = 65536 \times \frac{a}{1+a} = NBW-L + 256 \times NBW-H$$

with

$$a = \tan\left(\pi \cdot \frac{F_{NBW}[\text{Hz}]}{8000}\right)$$

$$0 \text{ Hz} \leq F_{NBW} \leq 2000 \text{ Hz}$$

$$NBW_L = \text{MOD} (NBW, 256)$$

$$NBW_H = \text{INT} (NBW/256)$$

Preliminary

SLICOFI-2x Command Structure and Programming

36_H	DTMF-GAIN	Gain Stage Control for DTMF Input Signal			Y
-----------------------	------------------	--	--	--	----------

Bit	7	6	5	4	3	2	1	0
	e			m				

DTMF Input Signal Gain:

$$G_{\text{DTMF}}[\text{dB}] = 20 \times \log_{10} 16 + 20 \times \log_{10} [g/32768] \approx 24.08 + 20 \times \log_{10} [g/32768]$$

$$- 24.08 \text{ dB} \leq G_{\text{DTMF}} \leq 23.95 \text{ dB}$$

with

$$g = 2^{(9 - e)} (32 + m) \text{ and}$$

$$0 \leq m \leq 31, 0 \leq e \leq 7$$

Table 53 Ranges of $G_{\text{DTMF}}[\text{dB}]$ dependent on “e”

e	DTMF Input Signal Gain G_{DTMF} [dB] Range
0	$23.95 \text{ dB} \geq G_{\text{DTMF}} \geq 18.06 \text{ dB}$
1	$17.93 \text{ dB} \geq G_{\text{DTMF}} \geq 12.04 \text{ dB}$
7	$- 18.20 \text{ dB} \geq G_{\text{DTMF}} \geq - 24.08 \text{ dB}$

Alternative representation:

Choose "e" as the next integer number which is bigger than or equal to:

$$e \geq 3 - \log_2 G_{\text{DTMF}} = 3 - \frac{\log_{10} G_{\text{DTMF}}}{\log_{10} 2} \approx 3 - \frac{G_{\text{DTMF}}[\text{dB}]}{6.02}$$

$$m = G_{\text{DTMF}} \times 2^{2+e} - 32 = 10^{\frac{G_{\text{DTMF}}[\text{dB}]}{20}} \times 2^{2+e} - 32$$

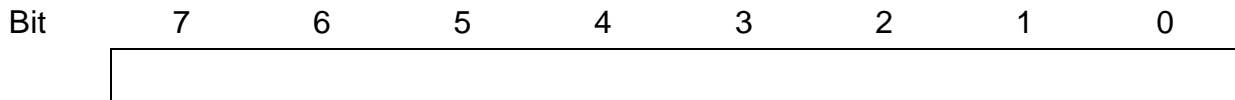
Table 54 Example for DTMF-GAIN Calculation

$G_{\text{DTMF}}[\text{dB}]$	G_{DTMF}	e	m	DTMF-GAIN
0	1	3	0	0x60
- 6.02	0.5	4	0	0x80
6.02	2	2	0	0x40

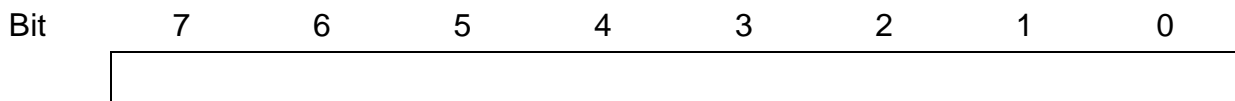
Preliminary

SLICOFI-2x Command Structure and Programming

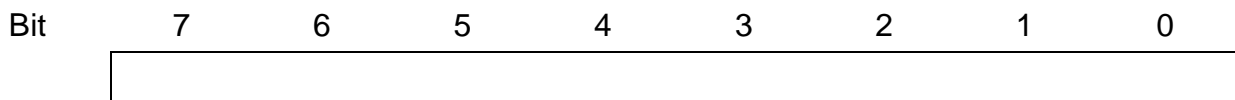
37_H	DTMF-RES1	DTMF Receiver Reserved Byte 1			Y
-----------------------	------------------	-------------------------------	--	--	----------



38_H	DTMF-RES2	DTMF Receiver Reserved Byte 2			Y
-----------------------	------------------	-------------------------------	--	--	----------

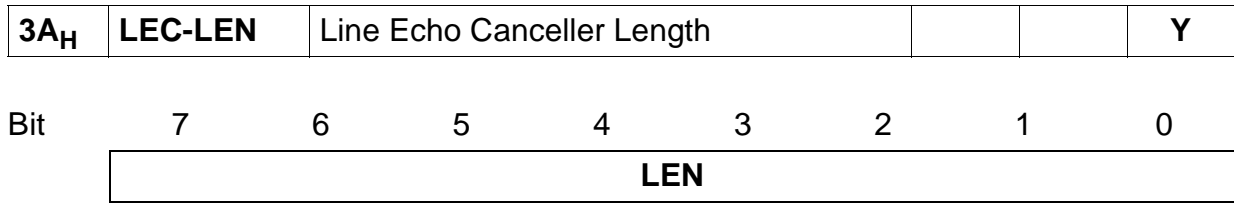


39_H	DTMF-RES3	DTMF Receiver Reserved Byte 3			Y
-----------------------	------------------	-------------------------------	--	--	----------



Preliminary

SLICOFI-2x Command Structure and Programming



Line Echo Canceller Length:

$$LEN = LEC \text{ Length[ms]} / 0.125$$

LEC Length has to be entered in multiples of 0.125 ms.

The selected LEC Length has to be higher than the maximum line echo length but not higher than 8 ms.

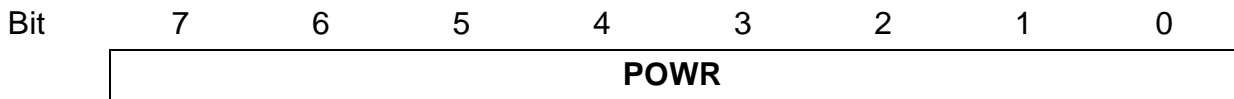
Table 6-1 LEC Length

LEN	LEC Length
1	0.125 ms
...	
64	8 ms

Preliminary

SLICOFI-2x Command Structure and Programming

3B_H	LEC-POWR	Line Echo Canceller Power Detection Level			Y
-----------------------	-----------------	--	--	--	----------



Minimum Power Detection Level for Line Echo Canceller:

$$Pow_{LECR}[dB] = S_{R,LEC-POWR}[dBm0] - 3.14 + AR1[dB] + G_{LEC-RI}[dB] - 20 \cdot \log_{10}(\pi/2)$$

$S_{R,LEC-POWR}[dBm0]$: Minimum Power Detection Level for Line Echo Canceller at digital input

$AR1[dB]$: The exact value for $AR1$ is shown in the DuSLICOS result file; approximate value $AR1 \approx L_R$ for $L_R \leq -2$ dBr, $AR1 \approx -2$ dB for $L_R > -2$ dBr.

$$POWR = (6.02 \times 16 + Pow_{LECR}[dB]) \times 2 / (5 \times \log_{10}2)$$

$$= (96.32 + Pow_{LECR}[dB]) \times 1.329$$

$$-96 \text{ dB} \leq Pow_{LECR} \leq 0 \text{ dB}$$

Table 55 Characteristic Values

POWR	Pow_{LECR}[dB]
0x00	- 96
...	
0x7F	0

Example:

$$AR1 = -3 \text{ dB}$$

$$S_{R,LEC-POWR} = -40 \text{ dBm0}$$

$$Pow_{LECR} = -46.14 \text{ dB}$$

$$POWR = 66.69 \approx 67 = 0x43$$

Preliminary

SLICOFI-2x Command Structure and Programming

3C_H	LEC-DELP	Line Echo Celler Delta Power				Y		
Bit	7	6	5	4	3	2	1	0
	DELP							

Line Echo Celler Delta Power for Double Talk Detection (DTD):

$$\text{DeltaP}_{\text{LEC}}[\text{dB}] = (S_R - S_X)_{\text{DTDTThr}}[\text{dB}] + \text{AR1}[\text{dB}] + G_{\text{LEC-RI}}[\text{dB}] - G_{\text{LEC-XI}}[\text{dB}]$$

$(S_R - S_X)_{\text{DTDTThr}}[\text{dB}]$: Double Talk Detection threshold

AR1[dB]: The exact value for AR1 is shown in the DuSLICOS result file;
 approximate value $\text{AR1} \approx L_R$ for $L_R \leq -2$ dBr, $\text{AR1} \approx -2$ dB for $L_R > -2$ dBr.

$$\text{DELP} = \text{DeltaP}_{\text{LEC}}[\text{dB}] \times 2/5 \times \log_{10}2 = \text{DeltaP}_{\text{LEC}}[\text{dB}] \times 1.329$$

$$-96 \text{ dB} \leq \text{DeltaP}_{\text{LEC}} \leq 96 \text{ dB}$$

Table 56 Characteristic Values

DELP	DeltaP_{LEC}[dB]
0x81	-96
...	
0x7F	96

Example:

$$\text{AR1} = -3 \text{ dB}$$

$$\text{expected echo signal} < -15 \text{ dB} \rightarrow (S_R - S_X)_{\text{DTDTThr}} = -15 \text{ dB}$$

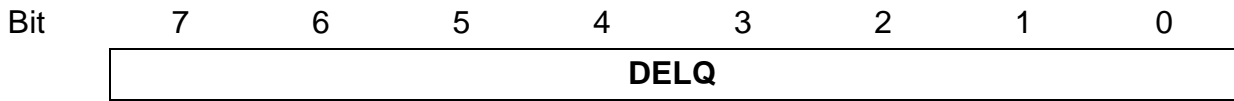
$$\text{DeltaP}_{\text{LEC}} = 12 \text{ dB}$$

$$\text{DELP} = 16 = 0x10$$

Preliminary

SLICOFI-2x Command Structure and Programming

3D_H	LEC-DELQ	Line Echo Canceller Delta Quality			Y
-----------------------	-----------------	-----------------------------------	--	--	----------



Line Echo Canceller Delta Quality Between Shadow Filter and Main Filter:

The higher DeltaQ is, the less copying between shadow filter and main filter takes place and the higher is the quality.

$$DELQ[dB] = \text{DeltaQ}[dB] \times 2/5 \times \log_{10}2 = \text{DeltaQ}[dB] \times 1.329$$

$$0 \text{ dB} \leq \text{DeltaQ} \leq 10 \text{ dB}$$

Table 57 Characteristic Values

DELQ	DeltaQ[dB]
8	6.02 dB
4	3.01 dB (typical)
3	2.26 dB
2	1.505 dB

Preliminary

SLICOFI-2x Command Structure and Programming

3E_H	LEC-GAIN-XI		Line Echo Canceller Input Gain Transmit					Y
Bit	7	6	5	4	3	2	1	0
	e			m				

Line Echo Canceller Input Gain Transmit:

It is important, that $G_{LEC-XI}[dB]$ will not be changed, so $G_{LEC-XI}[dB] = - G_{LEC-X0}[dB]$

$$G_{LEC-XI}[dB] = 20 \times \log_{10}16 + 20 \times \log_{10}[g/32768] \approx 24.08 + 20 \times \log_{10}[g/32768]$$

$$- 24.08 \text{ dB} \leq G_{LEC-XI} \leq 23.95 \text{ dB}$$

with

$$g = 2^{9-e} (32 + m) \text{ and}$$

$$0 \leq m \leq 31, 0 \leq e \leq 7$$

Table 58 Ranges of $G_{LEC-XI}[dB]$ Dependent on "e"

e	Input Gain $G_{LEC-XI}[dB]$ Range
0	$23.95 \text{ dB} \geq G_{LEC-XI} \geq 18.06 \text{ dB}$
1	$17.93 \text{ dB} \geq G_{LEC-XI} \geq 12.04 \text{ dB}$
7	$- 18.20 \text{ dB} \geq G_{LEC-XI} \geq - 24.08 \text{ dB}$

Alternative representation:

Choose "e" as the next integer number which is bigger than or equal to:

$$e \geq 3 - \log_2 G_{LEC-XI} = 3 - \frac{\log_{10} G_{LEC-XI}}{\log_{10} 2} \approx 3 - \frac{G_{LEC-XI}[dB]}{6.02}$$

$$m = G_{LEC-XI} \times 2^{2+e} - 32 = 10^{\frac{G_{LEC-XI}[dB]}{20}} \times 2^{2+e} - 32$$

Table 59 Example for LEC-GAIN-XI Calculation

$G_{LEC-XI}[dB]$	G_{LEC-XI}	e	m	LEC-GAIN-XI
0	1	3	0	0x60
- 6.02	0.5	4	0	0x80
6.02	2	2	0	0x40

Preliminary

SLICOFI-2x Command Structure and Programming

3F_H	LEC-GAIN-RI	Line Echo Canceller Input Gain Receive						Y
Bit	7	6	5	4	3	2	1	0
	e			m				

Line Echo Canceller Input Gain Receive:

$$G_{LEC-RI}[\text{dB}] = 20 \times \log_{10}16 + 20 \times \log_{10}[g/32768] \approx 24.08 + 20 \times \log_{10}[g/32768]$$

$$- 24.08 \text{ dB} \leq G_{LEC-RI} \leq 23.95 \text{ dB}$$

with

$$g = 2^{9-e} (32 + m) \text{ and}$$

$$0 \leq m \leq 31, 0 \leq e \leq 7$$

Table 60 Ranges of G_{LEC-RI}[dB] Dependent on “e”

e	Input Gain G_{LEC-RI}[dB] Range
0	23.95 dB ≥ G _{LEC-RI} ≥ 18.06 dB
1	17.93 dB ≥ G _{LEC-RI} ≥ 12.04 dB
7	- 18.20 dB ≥ G _{LEC-RI} ≥ - 24.08 dB

Alternative representation:

Choose "e" as the next integer number which is bigger than or equal to:

$$e \geq 3 - \log_2 G_{LEC-RI} = 3 - \frac{\log_{10} G_{LEC-RI}}{\log_{10} 2} \approx 3 - \frac{G_{LEC-RI}[\text{dB}]}{6.02}$$

$$m = G_{LEC-RI} \times 2^{2+e} - 32 = 10^{\frac{G_{LEC-RI}[\text{dB}]}{20}} \times 2^{2+e} - 32$$

Table 61 Example for LEC-GAIN-RI Calculation

G_{LEC-RI}[dB]	G_{LEC-RI}	e	m	LEC-GAIN-RI
0	1	3	0	0x60
- 6.02	0.5	4	0	0x80
6.02	2	2	0	0x40

Preliminary

SLICOFI-2x Command Structure and Programming

40_H	LEC-GAIN-X0	Line Echo Canceller Output Gain Transmit			Y
-----------------------	--------------------	--	--	--	----------

Bit	7	6	5	4	3	2	1	0
	e			m				

Line Echo Canceller Output Gain Transmit:

It is important, that $G_{LEC-X0}[dB]$ will not be changed, so $G_{LEC-X0}[dB] = - G_{LEC-X1}[dB]$

$$G_{LEC-X0}[dB] = 20 \times \log_{10}16 + 20 \times \log_{10}[g/32768] \approx 24.08 + 20 \times \log_{10}[g/32768]$$

$$- 24.08 \text{ dB} \leq G_{LEC-X0} \leq 23.95 \text{ dB}$$

with

$$g = 2^{9-e} (32 + m) \text{ and}$$

$$0 \leq m \leq 31, 0 \leq e \leq 7$$

Table 62 Ranges of $G_{LEC-X0}[dB]$ Dependent on “e”

e	Output Gain $G_{LEC-X0}[dB]$ Range
0	$23.95 \text{ dB} \geq G_{LEC-X0} \geq 18.06 \text{ dB}$
1	$17.93 \text{ dB} \geq G_{LEC-X0} \geq 12.04 \text{ dB}$
7	$- 18.20 \text{ dB} \geq G_{LEC-X0} \geq - 24.08 \text{ dB}$

Alternative representation:

Choose "e" as the next integer number which is bigger than or equal to:

$$e \geq 3 - \log_2 G_{LEC-X0} = 3 - \frac{\log_{10} G_{LEC-X0}}{\log_{10} 2} \approx 3 - \frac{G_{LEC-X0}[dB]}{6.02}$$

$$m = G_{LEC-X0} \times 2^{2+e} - 32 = 10^{\frac{G_{LEC-X0}[dB]}{20}} \times 2^{2+e} - 32$$

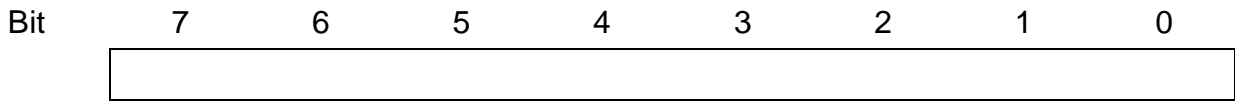
Table 63 Example for LEC-GAIN-X0 Calculation

$G_{LEC-X0}[dB]$	G_{LEC-X0}	e	m	LEC-GAIN-X0
0	1	3	0	0x60
- 6.02	0.5	4	0	0x80
6.02	2	2	0	0x40

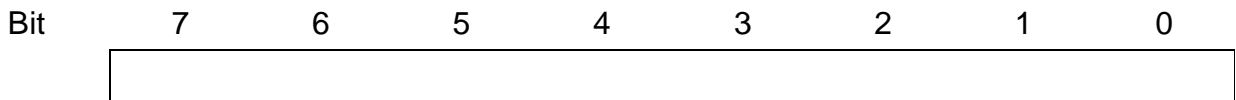
Preliminary

SLICOFI-2x Command Structure and Programming

41_H	LEC-RES1	Line Echo Canceller Reserved Byte 1			Y
-----------------------	-----------------	-------------------------------------	--	--	----------



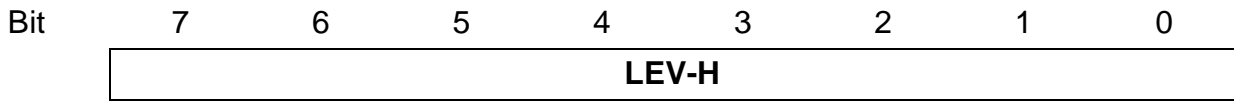
42_H	LEC-RES2	Line Echo Canceller Reserved Byte 2			Y
-----------------------	-----------------	-------------------------------------	--	--	----------



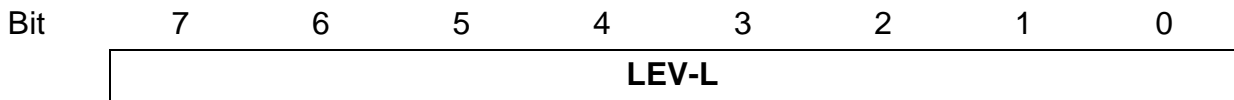
Preliminary

SLICOFI-2x Command Structure and Programming

43_H	CIS-LEV-H	Caller ID Sender Level High Byte			Y
-----------------------	------------------	----------------------------------	--	--	----------



44_H	CIS-LEV-L	Caller ID Sender Level Low Byte			Y
-----------------------	------------------	---------------------------------	--	--	----------



Caller ID Sender Level:

$$\text{Lev}_{\text{CIS}}[\text{dB}] = \text{Lev}_{\text{CIS}}[\text{dBm0}] - 3.14 - 3.37$$

$$\text{Lev}_{\text{CIS}}[\text{dB}] = \text{Lev}_{\text{CIS}}[\text{dBm}] - L_{\text{R}}[\text{dBr}] - 3.14 - 3.37$$

$$\text{LEV} = 32767 \times 10^{(\text{Lev}_{\text{CIS}}[\text{dB}]/20)}$$

$$-90.31 \text{ dB} \leq \text{Lev}_{\text{CIS}} \leq 0 \text{ dB}$$

$$\text{LEV-L} = \text{MOD}(\text{LEV}, 256)$$

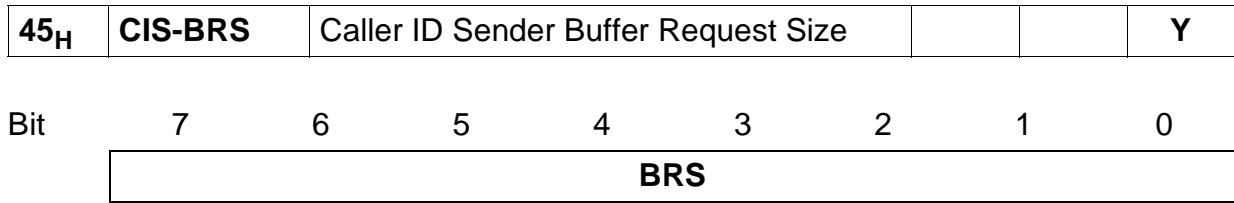
$$\text{LEV-H} = \text{INT}(\text{LEV}/256)$$

Table 64 Examples

LEV	Level [dB]
0	$-\infty$ (signal off)
1	- 90.31
32767	0

Preliminary

SLICOFI-2x Command Structure and Programming



Caller ID Sender Buffer Request Size:

$$0 \leq \text{BRS} \leq 46$$

CIS-BRS is a threshold to be set within the Caller ID sender buffer (CIS-DAT, 48 bytes). If the number of bytes in the CID sender buffer falls below the buffer request size an interrupt is generated. This is the indication to fill up the buffer again.

The first bit will be sent if the number of bytes in the CID sender buffer exceeds the buffer request size (start sending with BRS + 1 number of bytes).

The buffer request size BRS must always be smaller than the number of bytes to be sent:

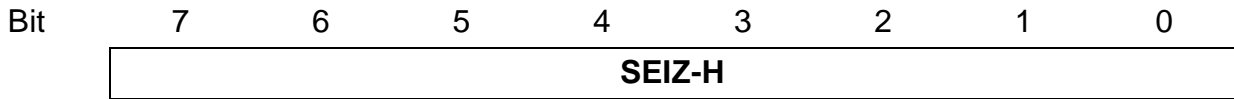
$\text{BRS} < \text{Number of bytes to be sent}$

Typical values: 10 – 30.

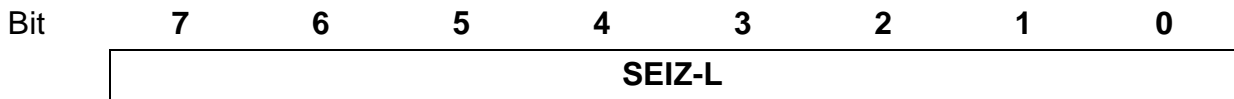
Preliminary

SLICOFI-2x Command Structure and Programming

46_H	CIS-SEIZ-H	Caller ID Sender Number of Seizure Bits High Byte			Y
-----------------------	-------------------	---	--	--	----------



47_H	CIS-SEIZ-L	Caller ID Sender Number of Seizure Bits Low Byte			Y
-----------------------	-------------------	--	--	--	----------



Caller ID Sender Number of Seizure Bits:
 (only if High Level Framing is selected in the CIS/LEC-MODE register (see [Page 251](#)))

$$0 \leq \text{SEIZ} \leq 32767$$

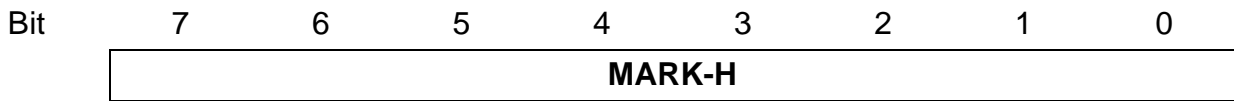
$$\text{SEIZ-L} = \text{MOD} (\text{SEIZ}, 256)$$

$$\text{SEIZ-H} = \text{INT} (\text{SEIZ}/256)$$

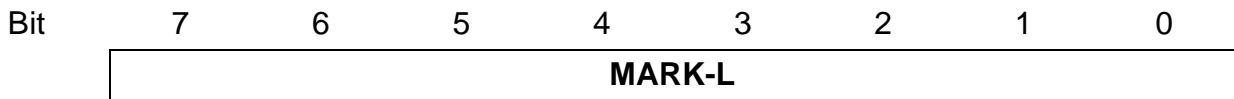
Preliminary

SLICOFI-2x Command Structure and Programming

48_H	CIS-MARK-H	Caller ID Sender Number of Mark Bits High Byte			Y
-----------------------	-------------------	--	--	--	----------



49_H	CIS-MARK-L	Caller ID Sender Number of Mark Bits Low Byte			Y
-----------------------	-------------------	---	--	--	----------



Caller ID Sender Number of Mark Bits:
 (only if High Level Framing is selected in the CIS/LEC-MODE register)

$$0 \leq \text{MARK} \leq 32767$$

$$\text{MARK-L} = \text{MOD} (\text{MARK}, 256)$$

$$\text{MARK-H} = \text{INT} (\text{MARK}/256)$$

Preliminary

SLICOFI-2x Command Structure and Programming

4A _H	CIS/LEC-MODE	CIS/LEC Mode Setting			Y
-----------------	--------------	----------------------	--	--	---

Bit	7	6	5	4	3	2	1	0
	LEC-ADAPT	LEC-FREEZE	UTDX-SUM	UTDR-SUM	0	0	CIS-FRM	CIS-V23

LEC-ADAPT Line Echo Canceller Adaptation Start. The LEC-ADAPT bit is only evaluated if the LEC-EN is changed from 0 to 1. To initialize the LEC coefficients to 0 requires the LEC-ADAPT bit set to 0 followed by the LEC-EN bit changed from 0 to 1. It is not possible to reset the LEC coefficients to 0 while the LEC is running. The LEC has to be disabled first by setting bit LEC-EN to 0 and then it is necessary to enable the LEC again (LEC-EN = 1, LEC-ADAPT = 0). If valid coefficients from a former LEC adaptation are present in the RAM, it is possible to activate the LEC with this coefficients by setting bit LEC-ADAPT to 1.

It is also possible to read out adapted coefficients from the LEC for external storage and to reuse these coefficients as a start up value for the next connection (see the available Application Notes).

LEC-ADAPT = 0 Line Echo Canceller coefficients initialized with zero

LEC-ADAPT = 1 Line Echo Canceller coefficients initialized with old coefficients

LEC-FREEZE Line Echo Canceller Adaptation Freeze

LEC-FREEZE = 0 No freezing of coefficients

LEC-FREEZE = 1 Freezing of coefficients

UTDX-SUM Sum signal for Universal Tone Detection unit in transmit direction

UTDX-SUM = 0 The transmit signal is fed through

UTDX-SUM = 1 The sum signal S_{SUM} (receive signal + LEC signal, if LEC is enabled) is fed through

(see bit UTDX-SRC in BCR2 and [Figure 32](#))

Preliminary

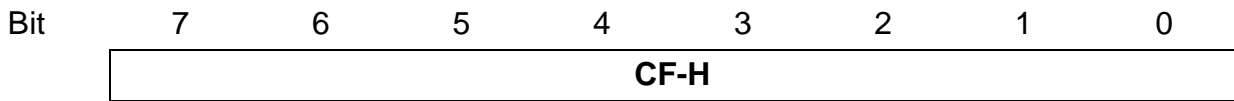
SLICOFI-2x Command Structure and Programming

UTDR-SUM	Sum signal for Universal Tone Detection unit in receive direction
UTDR-SUM = 0	The receive signal is fed to the UDT unit
UTDR-SUM = 1	The sum signal S_{SUM} (receive signal + LEC signal, if LEC is enabled) is fed to the UTD unit
CIS-FRM	Caller ID Sender Framing
CIS-FRM = 0	Low-level framing: all data for CID transmissions have to be written to the CID Buffer including channel seizure and mark sequence, start and stop bits.
CIS-FRM = 1	High-level framing: channel seizure and mark sequence as well as start and stop bits are automatically inserted by the SLICOFI-2x. Only transmission bytes from the Data Packet (see Figure 33) have to be written to the CIS buffer.
CIS-V23	Caller ID Sender Mode
CIS-V23 = 0	Bell 202 selected
CIS-V23 = 1	V.23 selected

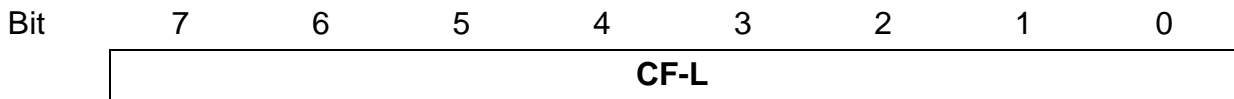
Preliminary

SLICOFI-2x Command Structure and Programming

4B_H	UTD-CF-H	Universal Tone Detection Center Frequency High Byte			Y
-----------------------	-----------------	---	--	--	----------



4C_H	UTD-CF-L	Universal Tone Detection Center Frequency Low Byte			Y
-----------------------	-----------------	--	--	--	----------



Universal Tone Detection Center Frequency:

$$CF = 32768 \times \cos\left(\frac{2\pi f_c [\text{Hz}]}{8000}\right)$$

$$0 < f_c < 4000 \text{ Hz}$$

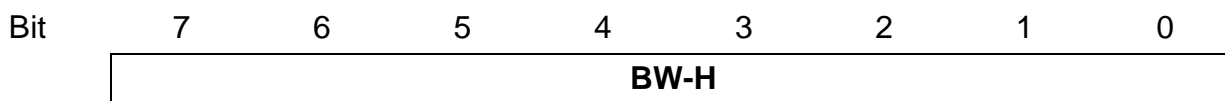
$$CF-L = \text{MOD} (CF, 256)$$

$$CF-H = \text{INT} (CF/256)$$

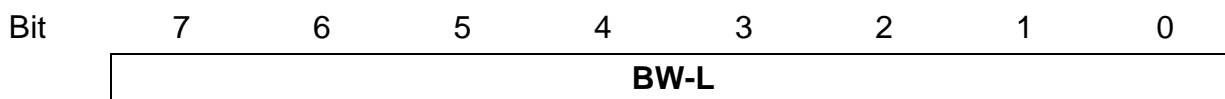
Preliminary

SLICOFI-2x Command Structure and Programming

4D_H	UTD-BW-H	Universal Tone Detection Bandwidth High Byte			Y
-----------------------	-----------------	--	--	--	----------



4E_H	UTD-BW-L	Universal Tone Detection Bandwidth Low Byte			Y
-----------------------	-----------------	---	--	--	----------



Universal Tone Detection Bandwidth:

$$BW = 65536 \times \frac{a}{1 + a}$$

with

$$a = \tan\left(\frac{f_{BW}[\text{Hz}] \times \pi}{8000}\right)$$

$$0 < f_{BW} < 2000 \text{ Hz}$$

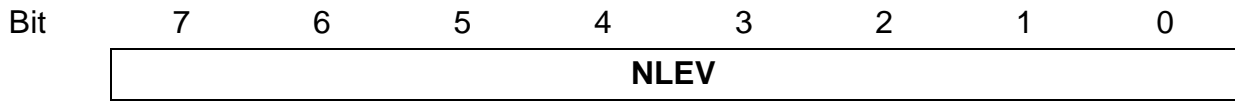
$$BW-L = \text{MOD} (BW, 256)$$

$$BW-H = \text{INT} (BW/256)$$

Preliminary

SLICOFI-2x Command Structure and Programming

4F_H	UTD-NLEV	Universal Tone Detection Noise Level			Y
-----------------------	-----------------	--------------------------------------	--	--	----------



Universal Tone Detection Noise Level:

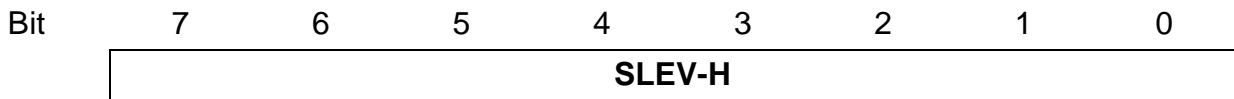
$$NLEV = 32768 \times 10^{(Lev_N[dB])/20}$$

$$-96 \text{ dB} \leq Lev_N \leq -42.18 \text{ dB}$$

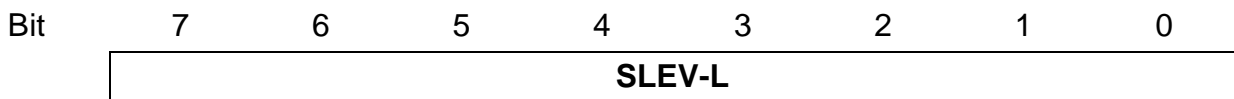
Preliminary

SLICOFI-2x Command Structure and Programming

50_H	UTD-SLEV-H	Universal Tone Detection Signal Level High Byte			Y
-----------------------	-------------------	---	--	--	----------



51_H	UTD-SLEV-L	Universal Tone Detection Signal Level Low Byte			Y
-----------------------	-------------------	--	--	--	----------



Universal Tone Detection Signal Level:

Calculation for Transmit:

$$Lev_S[dB] = Lev_S[dBm0] - 3.14 - 20 \cdot \log_{10}(\pi/2)$$

$$Lev_S[dB] = Lev_S[dBm] - L_x[dBr] - 3.14 - 20 \cdot \log_{10}(\pi/2)$$

Calculation for Receive:

$$Lev_S[dB] = Lev_S[dBm0] - 3.14 + AR1[dB] - 20 \cdot \log_{10}(\pi/2)$$

$$Lev_S[dB] = Lev_S[dBm] - L_R[dBr] - 3.14 + AR1[dB] - 20 \cdot \log_{10}(\pi/2)$$

AR1[dB]: The exact value for AR1 is shown in the DuSLICOS result file; approximate value $AR1 \approx L_R$ for $L_R \leq -2$ dBr, $AR1 \approx -2$ dB for $L_R > -2$ dBr.

$$SLEV = 32768 \times 10^{(Lev_S[dB])/20} - NLEV$$

$$-96 \text{ dB} \leq Lev_S \leq 0 \text{ dB}$$

Signal Level:

$$SLEV-L = \text{MOD}(SLEV, 256)$$

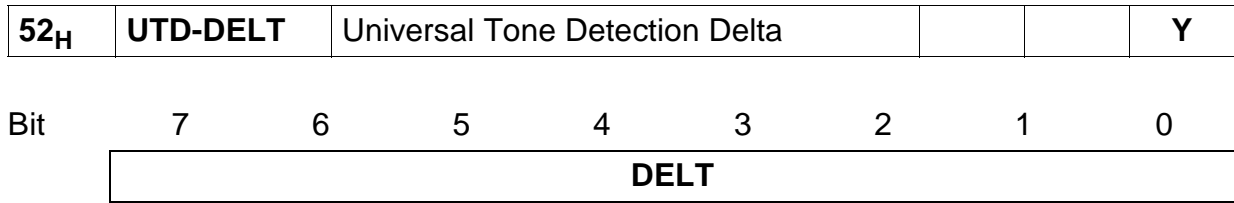
$$SLEV-H = \text{INT}(SLEV/256)$$

UTD for Receive and Transmit:

By enabling the UTD the coefficients in the UTD registers are copied to the main memory. Therefore different coefficients can be set for receive and transmit direction.

Preliminary

SLICOFI-2x Command Structure and Programming



Universal Tone Detection Delta Inband/Outband:

$$DELT = \text{Sign}(\Delta_{UTD}) \times 128 \times 10^{-|\Delta_{UTD}[\text{dB}]|/20}$$

$$-42 \text{ dB} \leq \Delta_{UTD} \leq 42 \text{ dB}$$

Example:

Detection of a tone that is between 1975 Hz and 2025 Hz → $f_C = 2000 \text{ Hz}$

- $f_{BW} = 50 \text{ Hz}$
Tone at 2025 Hz: Outband = - 3 dB, Inband = - 3 dB (see [Table 65](#))
 $\Delta_{UTD} = 0 \text{ dB} \rightarrow DELT = 128 = 0x80$
- $f_{BW} = 500 \text{ Hz}$
Tone at 2025 Hz: Outband = - 20 dB, Inband = - 0.04 dB (see [Table 65](#))
 $\Delta_{UTD} \approx 20 \text{ dB} \rightarrow DELT = 13 = 0x0D$

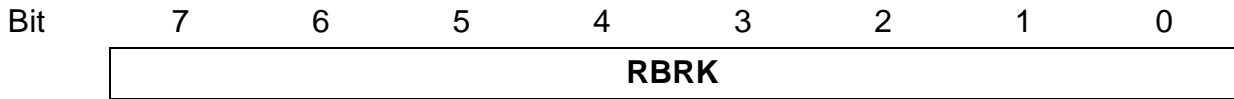
Table 65 UTD Inband/Outband Attenuation

f	Outband	Inband
$f_C \pm f_{BW}/0.2$	- 0.04 dB	- 20 dB
$f_C \pm f_{BW}/2$	- 3 dB	- 3 dB
$f_C \pm f_{BW}/20$	- 20 dB	- 0.04 dB
$f_C \pm f_{BW}/200$	- 40 dB	- 0 dB

Preliminary

SLICOFI-2x Command Structure and Programming

53 _H	UTD-RBRK	Universal Tone Detection Recognition Break Time			Y
-----------------	----------	---	--	--	---



Allowed Recognition Break Time for Universal Tone Detection:

$$RBRK = RBRKTime[ms]/4$$

RBRKTime has to be entered in multiples of 4 ms.

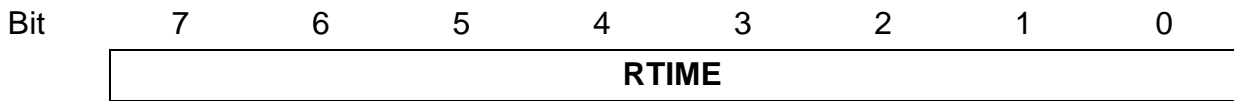
$$0 \text{ ms} \leq RBRKTime \leq 1000 \text{ ms}$$

For an example see [Figure 72](#).

Preliminary

SLICOFI-2x Command Structure and Programming

54 _H	UTD-RTIME	Universal Tone Detection Recognition Time			Y
-----------------	-----------	---	--	--	---



Universal Tone Detection Recognition Time:

$$RTIME = RTime[ms]/16$$

RTime has to be entered in multiples of 16 ms.

0 ms ≤ RTime ≤ 4000 ms

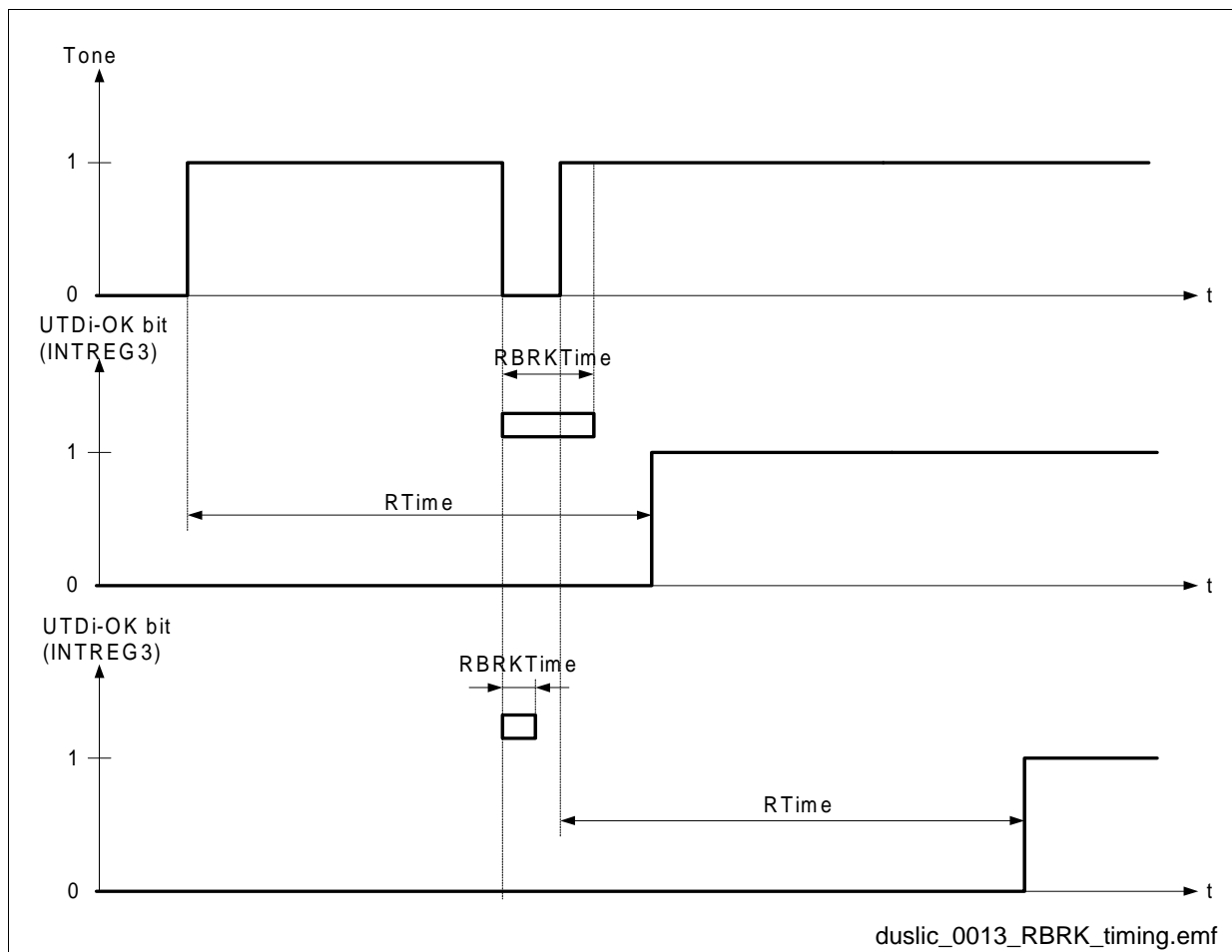
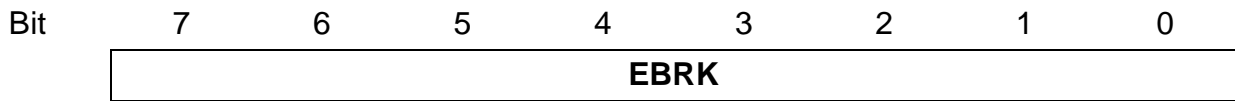


Figure 72 Example for UTD Recognition Timing

Preliminary

SLICOFI-2x Command Structure and Programming

55 _H	UTD-EBRK	UTD Allowed Tone End Detection Break Time			Y
-----------------	----------	---	--	--	---



Allowed tone end detection break time for Universal Tone Detection:

$$EBRK = EBRKTime [ms]$$

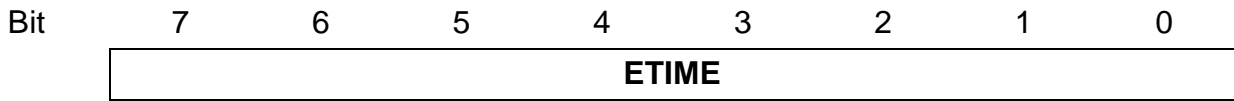
$$0 \text{ ms} \leq EBRKTime \leq 255 \text{ ms}$$

For an example see [Figure 73](#).

Preliminary

SLICOFI-2x Command Structure and Programming

56 _H	UTD-ETIME	UTD Tone End Detection Time			Y
-----------------	-----------	-----------------------------	--	--	---



Tone End Detection Time for Universal Tone Detection:

$$ETIME = ETime[ms]/4$$

ETime has to be entered in multiples of 4 ms.

$$0 \text{ ms} \leq ETime \leq 1000 \text{ ms}$$

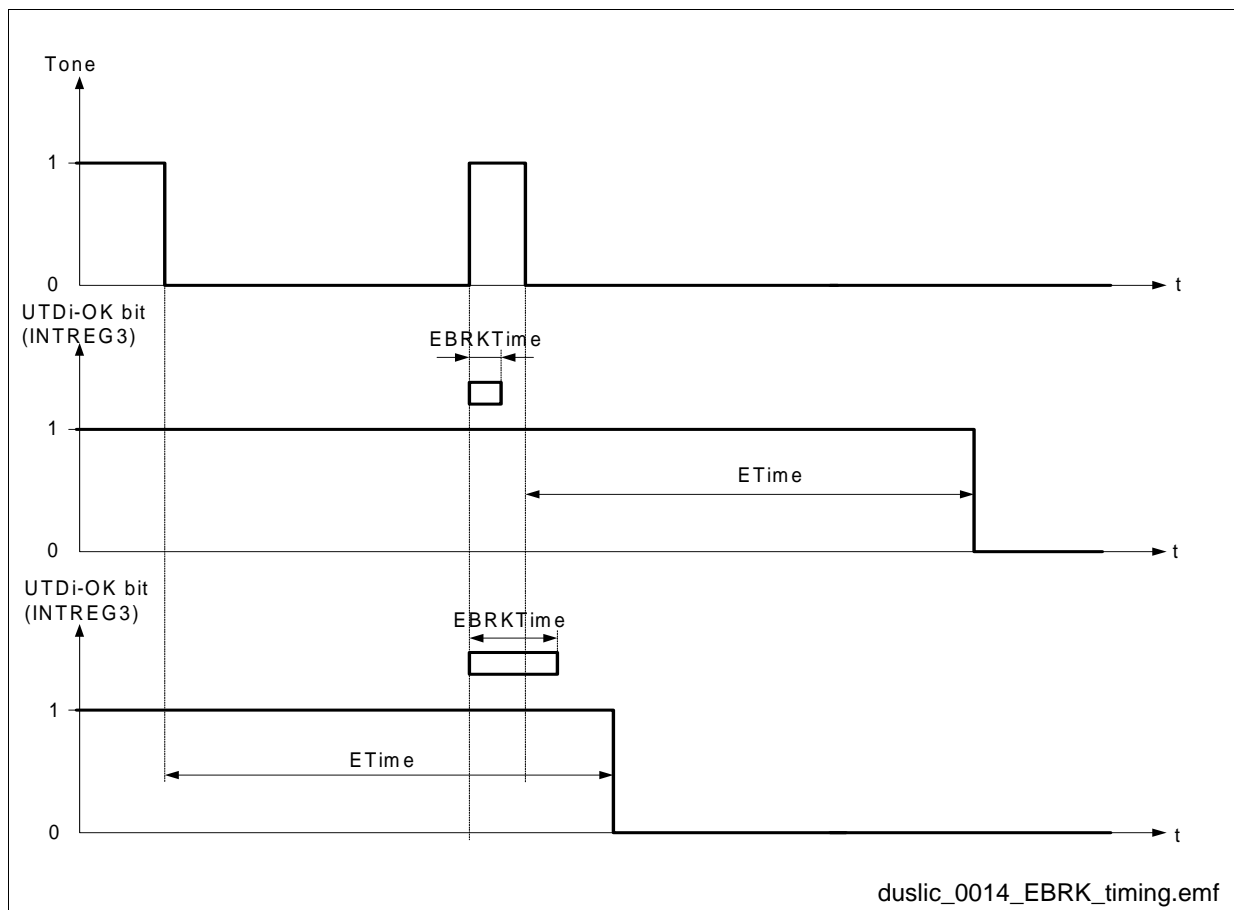


Figure 73 Example for UTD Tone End Detection Timing

6.2.5 IOM-2 Interface Command/Indication Byte

The Command/Indication (C/I) channel is used to communicate real-time status information and for fast controlling of the DuSLIC. Data on the C/I channel are continuously transmitted in each frame until new data are sent.

Data Downstream C/I – Channel Byte (Receive) – IOM-CIDD

The first six CIDD data bits control the general operating modes for both DuSLIC channels. According to the IOM-2 specifications, new data have to be present for at least two frames to be accepted.

Table 66 M2, M1, M0: General Operating Mode

CIDD			SLICOFI-2 Operating Mode (for details see “Operating Modes for the DuSLIC Chip Set” on Page 78)
M2	M1	M0	
1	1	1	Sleep, Power Down (PDRx)
0	0	0	Power Down High Impedance (PDH)
0	1	0	Any Active mode
1	0	1	Ringling (ACTR Burst On)
1	1	0	Active with Metering
1	0	0	Ground Start
0	0	1	Ring Pause

	CIDD	Data Downstream C/I – Channel Byte			N
--	-------------	------------------------------------	--	--	----------

Bit	7	6	5	4	3	2	1	0
	M2A	M1A	M0A	M2B	M1B	M0B	MR	MX

M2A, M1A, M0A Select operating mode for DuSLIC channel A

M2B, M1B, M0B Select operating mode for DuSLIC channel B

MR, MX Handshake bits Monitor Receive and Transmit
(see [“IOM-2 Interface Monitor Transfer Protocol” on Page 148](#))

Preliminary

SLICOFI-2x Command Structure and Programming

Data Upstream C/I – Channel Byte (Transmit) – IOM-CIDU

This byte is used to quickly transfer the most important and time-critical information from the DuSLIC. Each transfer from the DuSLIC lasts for at least 2 consecutive frames.

	CIDU	Data Upstream C/I – Channel Byte	00_H		N
--	-------------	----------------------------------	-----------------------	--	----------

Bit	7	6	5	4	3	2	1	0
	INT-CHA	HOOKA	GNDKA	INT-CHB	HOOKB	GNDKB	MR	MX

INT-CHA Interrupt information channel A
 INT-CHA = 0 No interrupt in channel A
 INT-CHA = 1 Interrupt in channel A

HOOKA Hook information channel A
 HOOKA = 0 On-hook channel A
 HOOKA = 1 Off-hook channel A

GNDKA Ground key information channel A
 GNDKA = 0 No longitudinal current detected
 GNDKA = 1 Longitudinal current detected in channel A

INT-CHB Interrupt information channel B
 INT-CHB = 0 No interrupt in channel B
 INT-CHB = 1 Interrupt in channel B

HOOKB Hook information channel B
 HOOKB = 0 On-hook Channel B
 HOOKB = 1 Off-hook Channel B

GNDKB Ground key information channel B
 GNDKB = 0 No longitudinal current detected
 GNDKB = 1 Longitudinal current detected in channel B

MR, MX Handshake bits Monitor Receive and Transmit
 (see [“IOM-2 Interface Monitor Transfer Protocol” on Page 148](#))

6.2.6 Programming Examples of the SLICOFI-2

6.2.6.1 Microcontroller Interface

SOP Write to Channel 0 Starting After the Channel Specific Read-only Registers

01000100 First command byte (SOP write for channel 0)
 00010101 Second command byte (Offset to BCR1 register)
 00000000 Contents of BCR1 register
 00000000 Contents of BCR2 register
 00010001 Contents of BCR3 register
 00000000 Contents of BCR4 register
 00000000 Contents of BCR5 register

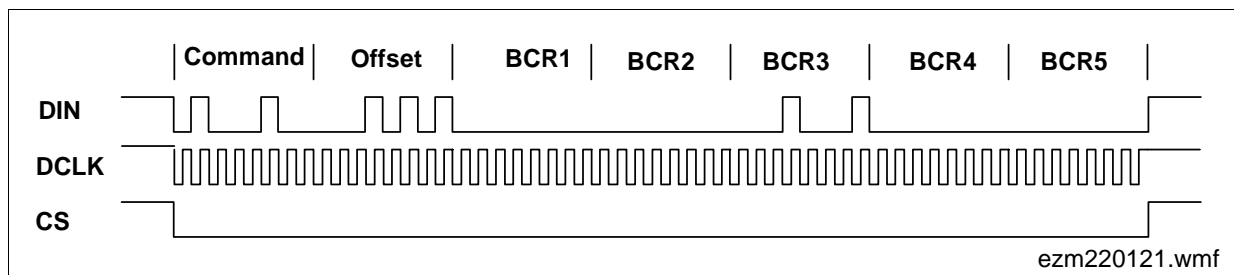


Figure 74 Waveform of Programming Example SOP-Write to Channel 0

SOP Read from Channel 1 Reading Out the Interrupt Registers

11001100 First command byte (SOP read for channel 1).
 00000111 Second command byte (Offset to Interrupt register 1).

The SLICOFI-2 will send data when it has completely received the second command byte.

11111111 Dump byte (This byte is always FF_H).
 11000000 Interrupt register INTREG1 (An interrupt has occurred, Off-hook was detected).
 00000010 Interrupt register INTREG2 (IO pin 2 is '1').
 00000000 Interrupt register INTREG3
 00000000 Interrupt register INTREG4

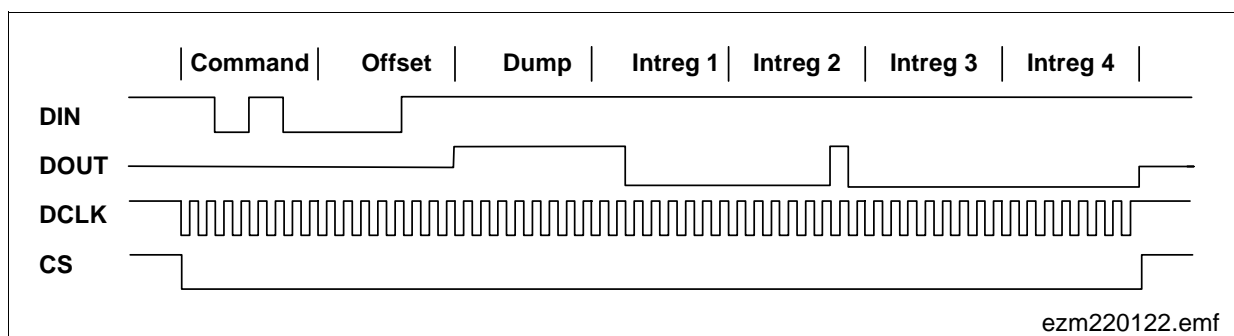


Figure 75 Waveform of Programming Example SOP Read from Channel 0

6.2.6.2 IOM-2 Interface

An example with the same programming sequence as before, using the IOM-2 interface is presented here to show the differences between the microcontroller interface and the IOM-2 interface.

SOP Write to Channel 0 Starting After the Channel-Specific Read-only Registers

Monitor data down	MR/MX	Monitor data up	MR/MX	Comment
10000001	10	11111111	11	IOM-2 address first byte
10000001	10	11111111	01	IOM-2 address second byte
01000100	11	11111111	01	First command byte (SOP write for channel 0)
01000100	10	11111111	11	First command byte second time
00010101	11	11111111	01	Second command byte (Offset to BCR1 register)
00010101	10	11111111	11	Second command byte second time
00000000	11	11111111	01	Contents of BCR1 register
00000000	10	11111111	11	Contents of BCR1 register second time
00000000	11	11111111	01	Contents of BCR2 register
00000000	10	11111111	11	Contents of BCR2 register second time
00010001	11	11111111	01	Contents of BCR3 register
00010001	10	11111111	11	Contents of BCR3 register second time
00000000	11	11111111	01	Contents of BCR4 register
00000000	10	11111111	11	Contents of BCR4 register second time
11111111	11	11111111	01	No more information (dummy byte)
11111111	11	11111111	11	Signaling EOM (end of message) by holding MX bit at '1'.

Since the SLICOFI-2 has an open command structure there is no fixed command length. The IOM-2 handshake protocol allows for an infinite length of a data stream, therefore the host has to terminate the data transfer by sending an end-of-message signal (EOM) to the SLICOFI-2. The SLICOFI-2 will abort the transfer only if the host tries to write or read beyond the allowed maximum offset given by the different types of commands. Each transfer has to start with the SLICOFI-2-specific IOM-2 address (81_H) and must end with an EOM of the handshake bits. Appending a command immediately to its predecessor without an EOM in between is not allowed.

When reading interrupt registers, SLICOFI-2 stops the transfer after the fourth register in IOM-2 mode. This is to prevent some host chips reading 16 bytes because they can't terminate the transfer after n bytes.

Preliminary

SLICOFI-2x Command Structure and Programming

SOP-Read from Channel 1 Reading Out the Interrupt Registers

Monitor data down	MR/MX	Monitor data up	MR/MX	Comment
10000001	10	11111111	11	IOM-2 address first byte
10000001	10	11111111	01	IOM-2 address second byte
11001100	11	11111111	01	First command byte (SOP read for channel 1)
11001100	10	11111111	11	First command byte second time
00001000	11	11111111	01	Second command byte (offset to interrupt register 1)
00001000	10	11111111	11	Second command byte second time
11111111	11	11111111	01	Acknowledgement for the second command byte
11111111	11	10000001	10	IOM-2 Address first byte (answer)
11111111	01	10000001	10	IOM-2 Address second byte
11111111	01	11000000	11	Interrupt register INTREG1
11111111	11	11000000	10	Interrupt register INTREG1 second time
11111111	01	00000010	11	Interrupt register INTREG2
11111111	11	00000010	10	Interrupt register INTREG2 second time
11111111	01	00000000	11	Interrupt register INTREG3
11111111	11	00000000	10	Interrupt register INTREG3 second time
11111111	01	00000000	11	Interrupt register INTREG4
11111111	11	00000000	10	Interrupt register INTREG4 second time
11111111	11	01001101	11	SLICOFI-2 sends the next register
11111111	11	11111111	11	SLICOFI-2 aborts transmission

Preliminary

SLICOFI-2x Command Structure and Programming

6.3 SLICOFI-2S/-2S2 Command Structure and Programming

This chapter comprises only the SLICOFI-2S/-2S2 PEB 3264/-2 and therefore the DuSLIC-S and DuSLIC-S2 chip sets.

6.3.1 SOP Command

The SOP “Status Operation” command provides access to the configuration and status registers of the SLICOFI-2S/-2S2. Common registers change the mode of the entire SLICOFI-2S/-2S2 chip, all other registers are channel-specific. It is possible to access single or multiple registers. Multiple register access is realized by an automatic offset increment. Write access to read-only registers is ignored and does not abort the command sequence. Offsets may change in newer versions of the SLICOFI-2S/-2S2.

(All empty register bits have to be filled with zeros.)

6.3.1.1 SOP Register Overview

00 _H	REVISION	Revision Number (read-only)												
REV[7:0]														
01 _H	CHIPID 1	Chip Identification 1 (read-only)												
for internal use only														
02 _H	CHIPID 2	Chip Identification 2 (read-only)												
for internal use only														
03 _H	CHIPID 3	Chip Identification 3 (read-only)												
for internal use only														
04 _H	FUSE1	Fuse Register 1												
for internal use only														
05 _H	PCMC1	PCM Configuration Register 1												
<table border="1" style="width: 100%; border-collapse: collapse;"> <tr> <td style="width: 12.5%;">DBL-CLK</td> <td style="width: 12.5%;">X-SLOPE</td> <td style="width: 12.5%;">R-SLOPE</td> <td style="width: 12.5%;">NO-DRIVE-0</td> <td style="width: 12.5%;">SHIFT</td> <td colspan="2" style="width: 25%;">PCMO[2:0]</td> </tr> </table>							DBL-CLK	X-SLOPE	R-SLOPE	NO-DRIVE-0	SHIFT	PCMO[2:0]		
DBL-CLK	X-SLOPE	R-SLOPE	NO-DRIVE-0	SHIFT	PCMO[2:0]									
06 _H	XCR	Extended Configuration Register												
<table border="1" style="width: 100%; border-collapse: collapse;"> <tr> <td style="width: 12.5%; text-align: center;">0</td> <td style="width: 12.5%;">ASYNCH-R</td> <td style="width: 12.5%; text-align: center;">0</td> <td style="width: 12.5%; text-align: center;">0</td> <td style="width: 12.5%; text-align: center;">0</td> <td style="width: 12.5%; text-align: center;">0</td> <td style="width: 12.5%; text-align: center;">0</td> <td style="width: 12.5%; text-align: center;">0</td> </tr> </table>							0	ASYNCH-R	0	0	0	0	0	0
0	ASYNCH-R	0	0	0	0	0	0							

Preliminary

SLICOFI-2x Command Structure and Programming

07 _H	INTREG1	Interrupt Register 1 (read-only)						
	INT-CH	HOOK	GNDK	GNKP	ICON	VRTLIM	OTEMP	SYNC-FAIL
08 _H	INTREG2	Interrupt Register 2 (read-only)						
	0	READY	RSTAT	0	IO[4:1]-DU			
09 _H	INTREG3	Interrupt Register 3 (read-only)						
	0	0	0	0	0	0	0	
0A _H	INTREG4	Interrupt Register 4 (read-only)						
	0	0	0	0	0	0	0	
0B _H	CHKR1	Checksum Register 1 (High Byte) (read-only)						
	SUM-OK	CHKSUM-H[6:0]						
0C _H	CHKR2	Checksum Register 2 (Low Byte) (read-only)						
	CHKSUM-L[7:0]							
0D _H	reserved							
	0	0	0	0	0	0	0	
0E _H	reserved							
	0	0	0	0	0	0	0	
0F _H	FUSE2	Fuse Register 2						
	for internal use only							
10 _H	FUSE3	Fuse Register 3						
	for internal use only							
11 _H	MASK	Mask Register						
	READY-M	HOOK-M	GNDK-M	GNKP-M	ICON-M	VRTLIM-M	OTEMP-M	SYNC-M

Preliminary
SLICOFI-2x Command Structure and Programming

12 _H	IOCTL1	IO Control Register 1							
		IO[4:1]-INEN				IO[4:1]-M			
13 _H	IOCTL2	IO Control Register 2							
		IO[4:1]-OEN				IO[4:1]-DD			
14 _H	IOCTL3	IO Control Register 3							
		DUP[3:0]				DUP-IO[3:0]			
15 _H	BCR1	Basic Configuration Register 1							
		HIR	HIT	0	REVPOL	ACTR	ACTL	0	0
16 _H	BCR2	Basic Configuration Register 2							
		REXT-EN	SOFT-DIS	TTX-DIS ¹⁾	TTX-12K ²⁾	HIM-AN	AC-XGAIN	0	PDOT-DIS
17 _H	BCR3	Basic Configuration Register 3							
		MU-LAW	LIN	0	PCMX-EN	0	0	0	CRAM-EN
18 _H	BCR4	Basic Configuration Register 4							
		TH-DIS	IM-DIS	AX-DIS	AR-DIS	FRX-DIS	FRR-DIS	HPX-DIS	HPR-DIS
19 _H	reserved								
		0	0	0	0	0	0	0	0
1A _H	DSCR	DTMF Sender Configuration Register							
		DG-KEY[3:0]				COR8	PTG	TG2-EN	TG1-EN
1B _H	reserved								
		0	0	0	0	0	0	0	0
1C _H	LMCR1	Level Metering Configuration Register 1							
		TEST-EN	0	1	PCM2DC	0	0	1	0

Preliminary

SLICOFI-2x Command Structure and Programming

1D_H LMCR2 Level Metering Configuration Register 2

0	0	0	0	0	0	0	0
---	---	---	---	---	---	---	---

1E_H LMCR3 Level Metering Configuration Register 3

AC-SHORT-EN	RTR-SEL	0	0	0	0	0	0
-------------	---------	---	---	---	---	---	---

1F_H OFR1 Offset Register 1 (High Byte)

OFFSET-H[7:0]							
---------------	--	--	--	--	--	--	--

20_H OFR2 Offset Register 2 (Low Byte)

OFFSET-L[7:0]							
---------------	--	--	--	--	--	--	--

21_H PCMR1 PCM Receive Register 1

R1-HW	R1-TS[6:0]						
-------	------------	--	--	--	--	--	--

22_H reserved

--	--	--	--	--	--	--	--

23_H reserved

--	--	--	--	--	--	--	--

24_H reserved

--	--	--	--	--	--	--	--

25_H PCMX1 PCM Transmit Register 1

X1-HW	X1-TS[6:0]						
-------	------------	--	--	--	--	--	--

26_H reserved

--	--	--	--	--	--	--	--

Preliminary

SLICOFI-2x Command Structure and Programming

27_H reserved

--	--	--	--	--	--	--	--

28_H reserved

--	--	--	--	--	--	--	--

29_H TSTR1 Test Register 1

PD-AC-PR	PD-AC-PO	PD-AC-AD	PD-AC-DA	PD-AC-GN	PD-GNKC	PD-OFHC	PD-OVTC
----------	----------	----------	----------	----------	---------	---------	---------

2A_H TSTR2 Test Register 2

PD-DC-PR	0	PD-DC-AD	PD-DC-DA	PD-DCBUF	0	PD-TTX-A ²⁾	PD-HVI
----------	---	----------	----------	----------	---	------------------------	--------

2B_H TSTR3 Test Register 3

0	0	AC-DLB-4M	AC-DLB-128K	AC-DLB-32K	AC-DLB-8K	0	0
---	---	-----------	-------------	------------	-----------	---	---

2C_H TSTR4 Test Register 4

OPIM-AN	OPIM-4M	COR-64	COX-16	0	0	0	0
---------	---------	--------	--------	---	---	---	---

2D_H TSTR5 Test Register 5

0	0	0	DC-POFI-HI	DC-HOLD	0	0	0
---	---	---	------------	---------	---	---	---

¹⁾ Only for DuSLIC-S, is set to 1 for DuSLIC-S2

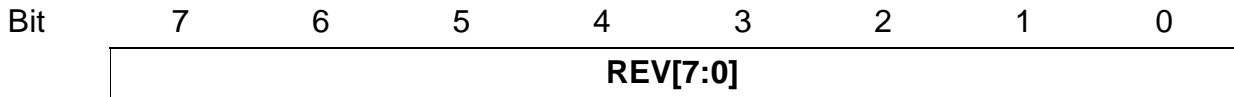
²⁾ Only for DuSLIC-S, is set to 0 for DuSLIC-S2

Preliminary

SLICOFI-2x Command Structure and Programming

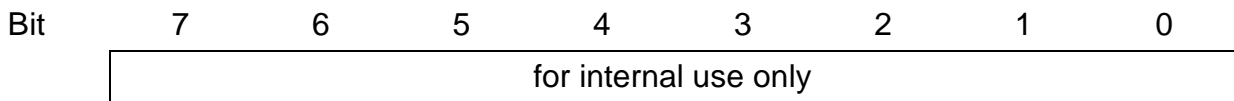
6.3.1.2 SOP Register Description

00_H	REVISION	Revision Number (read-only)	curr. rev.		N
-----------------------	-----------------	-----------------------------	-------------------	--	----------

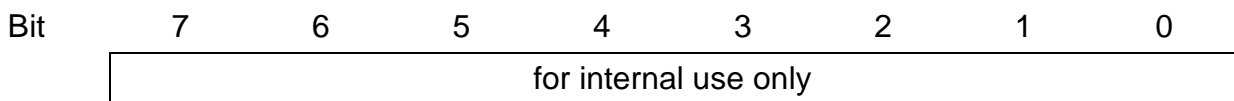


REV[7:0] Current revision number of the SLICOFI-2S/-2S2.

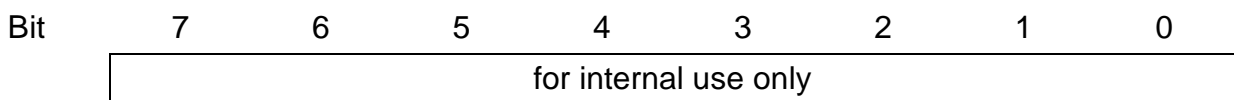
01_H	CHIPID 1	Chip Identification 1 (read-only)	hw		N
-----------------------	-----------------	-----------------------------------	-----------	--	----------



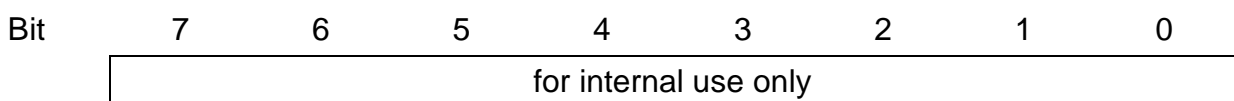
02_H	CHIPID 2	Chip Identification 2 (read-only)	hw		N
-----------------------	-----------------	-----------------------------------	-----------	--	----------



03_H	CHIPID 3	Chip Identification 3 (read-only)	hw		N
-----------------------	-----------------	-----------------------------------	-----------	--	----------



04_H	FUSE1	Fuse Register 1	hw		N
-----------------------	--------------	-----------------	-----------	--	----------



05 _H	PCMC1	PCM Configuration Register 1	00 _H		N
-----------------	-------	------------------------------	-----------------	--	---

Bit	7	6	5	4	3	2	1	0
	DBL-CLK	X-SLOPE	R-SLOPE	NO-DRIVE-0	SHIFT	PCMO[2:0]		

DBL-CLK Clock mode for the PCM interface (see [Figure 59](#) on [Page 141](#)).

DBL-CLK = 0 Single clocking is used.

DBL-CLK = 1 Double clocking is used.

X-SLOPE Transmit Slope (see [Figure 59](#) on [Page 141](#)).

X-SLOPE = 0 Transmission starts with rising edge of the clock.

X-SLOPE = 1 Transmission starts with falling edge of the clock.

R-SLOPE Receive Slope (see [Figure 59](#) on [Page 141](#)).

R-SLOPE = 0 Data is sampled with falling edge of the clock.

R-SLOPE = 1 Data is sampled with rising edge of the clock.

NO-DRIVE-0 Driving Mode for Bit 0 (only available in single-clocking mode).

NO-DRIVE = 0 Bit 0 is driven the entire clock period.

NO-DRIVE = 1 Bit 0 is driven during the first half of the clock period only.

SHIFT Shifts the access edges by one clock cycle in double clocking mode.

SHIFT = 0 No shift takes place.

SHIFT = 1 Shift takes place.

PCMO[2:0] The whole PCM timing is moved by PCMO data periods against the FSC signal.

PCMO[2:0] = 0 0 0 No offset is added.

PCMO[2:0] = 0 0 1 One data period is added.

...

PCMO[2:0] = 1 1 1 Seven data periods are added.

Preliminary

SLICOFI-2x Command Structure and Programming

06 _H	XCR	Extended Configuration Register	00 _H	N
-----------------	-----	---------------------------------	-----------------	---

Bit	7	6	5	4	3	2	1	0
	0	ASYNCH-R	0	0	0	0	0	0

ASYNCH-R Enables asynchronous ringing in case of external ringing.

ASYNCH-R = 0 External ringing with zero crossing selected

ASYNCH-R = 1 Asynchronous ringing selected.

Preliminary

SLICOFI-2x Command Structure and Programming

07 _H	INTREG1	Interrupt Register 1 (read-only)	80 _H		Y
-----------------	---------	----------------------------------	-----------------	--	---

Bit	7	6	5	4	3	2	1	0
	INT-CH	HOOK	GNDK	GNKP	ICON	VRTLIM	OTEMP	SYNC-FAIL

INT-CH Interrupt channel bit. This bit indicates that the corresponding channel caused the last interrupt. Will be set automatically to zero after all interrupt registers were read.

INT-CH = 0 No interrupt in corresponding channel.

INT-CH = 1 Interrupt caused by corresponding channel.

HOOK On/Off-hook information for the loop in all operating modes, filtered by DUP (Data Upstream Persistence) counter and interrupt generation masked by the HOOK-M bit. A change of this bit generates an interrupt.

HOOK = 0 On-hook.

HOOK = 1 Off-hook.

GNDK Ground Key or Ground Start information via the IL pin in all active modes, filtered for AC suppression by the DUP counter and interrupt generation masked by the GNDK-M bit. A change of this bit generates an interrupt.

GNDK = 0 No longitudinal current detected.

GNDK = 1 Longitudinal current detected (Ground Key or Ground Start).

GNKP Ground key polarity. Indicating the active ground key level (positive/negative) interrupt generation masked by the GNKP-M bit. A change of this bit generates an interrupt. This bit can be used to get information about interference voltage influence.

GNKP = 0 Negative ground key threshold level active.

GNKP = 1 Positive ground key threshold level active.

Preliminary
SLICOFI-2x Command Structure and Programming

- ICON** Constant current information. Filtered by DUP-IO counter and interrupt generation masked by the ICON-M bit. A change of this bit generates an interrupt.
- ICON = 0 Resistive or constant voltage feeding.
- ICON = 1 Constant current feeding.
-
- VRTLIM** Exceeding of a programmed voltage threshold for the TIP/RING voltage, filtered by the DUP-IO counter and interrupt generation masked by the VRTLIM-M bit. A change of this bit causes an interrupt. The voltage threshold for the TIP/RING voltage is set in CRAM (calculated with DuSLICOS DC Control Parameter 2/3: Tip-Ring Threshold).
- VRTLIM = 0 Voltage at Ring/Tip is below the limit.
- VRTLIM = 1 Voltage at Ring/Tip is above the limit.
-
- OTEMP** Thermal overload warning from the SLIC-S/-S2 line drivers masked by the OTEMP-M bit. An interrupt is only generated if the OTEMP bit changes from 0 to 1.
- OTEMP = 0 Temperature at SLIC-S/-S2 is below the limit.
- OTEMP = 1 Temperature at SLIC-S/-S2 is above the limit. In case of bit PDOT-DIS = 0 (register BCR2) the DuSLIC is switched automatically into PDH mode and OTEMP is hold at 1 until the SLICOFI-2S/-2S2 is set to PDH by a CIOP/CIDD command.
-
- SYNC-FAIL** Failure of the synchronization of the IOM-2/PCM Interface. An interrupt is only generated if the SYNC-FAIL bit changes from 0 to 1. Resynchronization of the PCM interface can be done with the Resynchronization command (see [Chapter 6](#))
- SYNC-FAIL = 0 Synchronization OK.
- SYNC-FAIL = 1 Synchronization failure.

Preliminary

SLICOFI-2x Command Structure and Programming

08 _H	INTREG2	Interrupt Register 2 (read-only)	20 _H		Y
-----------------	---------	----------------------------------	-----------------	--	---

Bit	7	6	5	4	3	2	1	0
	0	READY	RSTAT	0	IO[4:1]-DU			

After a hardware reset the RSTAT bit is set and generates an interrupt. Therefore the default value of INTREG2 is 20h. After reading all four interrupt registers, the INTREG2 value changes to 4Fh.

READY Indication whether ramp generator has finished. An interrupt is only generated if the READY bit changes from 0 to 1. At a new start of the ramp generator, the bit is set to 0. For further information regarding soft reversal see [Chapter 3.7.2.1](#).

READY = 0 Ramp generator active.

READY = 1 Ramp generator not active.

RSTAT Reset status since last interrupt.

RSTAT = 0 No reset has occurred since the last interrupt.

RSTAT = 1 Reset has occurred since the last interrupt.

IO[4:1]-DU Data on IO pins 1 to 4 filtered by the DUP-IO counter and interrupt generation masked by the IO[4:1]-DU-M bits. A change of any of these bits generates an interrupt.

09 _H	INTREG3	Interrupt Register 3 (read-only)	00 _H		Y
-----------------	---------	----------------------------------	-----------------	--	---

Bit	7	6	5	4	3	2	1	0
	0	0	0	0	0	0	0	0

0A _H	INTREG4	Interrupt Register 4 (read-only)	00 _H		Y
-----------------	---------	----------------------------------	-----------------	--	---

Bit	7	6	5	4	3	2	1	0
	0	0	0	0	0	0	0	0

Preliminary

SLICOFI-2x Command Structure and Programming

0B _H	CHKR1	Checksum Register 1 (High Byte) (read-only)	00 _H		Y
-----------------	-------	--	-----------------	--	---

Bit	7	6	5	4	3	2	1	0
	SUM-OK		CHKSUM-H[6:0]					

SUM-OK

Information about the validity of the checksum. The checksum is valid if the internal checksum calculation is finished.

Checksum calculation:

```

For (cram_adr = 0 to 159) do
cram_dat = cram[cram_adr]
csum[14:0] = (csum[13:0] &1 '0') xor
('0000000' & cram_dat[7:0]) xor
('00000000000000' & csum[14] & csum[14])
End
  
```

SUM-OK = 0 CRAM checksum is not valid.

SUM-OK = 1 CRAM checksum is valid.

1) "&" means a concatenation, not the logic operation

CHKSUM-H[6:0] CRAM checksum high byte

Preliminary

SLICOFI-2x Command Structure and Programming

0C_H	CHKR2	Checksum Register 2 (Low Byte) (read-only)	00_H		Y
-----------------------	--------------	---	-----------------------	--	----------

Bit	7	6	5	4	3	2	1	0
	CHKSUM-L[7:0]							

CHKSUM-L[7:0] CRAM-checksum low byte

0D_H		reserved	00_H		Y
-----------------------	--	----------	-----------------------	--	----------

Bit	7	6	5	4	3	2	1	0
	0	0	0	0	0	0	0	0

0E_H		reserved	00_H		Y
-----------------------	--	----------	-----------------------	--	----------

Bit	7	6	5	4	3	2	1	0
	0	0	0	0	0	0	0	0

0F_H	FUSE2	Fuse Register 2	hw		Y
-----------------------	--------------	-----------------	-----------	--	----------

Bit	7	6	5	4	3	2	1	0
	for internal use only							

10_H	FUSE3	Fuse Register 3	hw		Y
-----------------------	--------------	-----------------	-----------	--	----------

Bit	7	6	5	4	3	2	1	0
	for internal use only							

Preliminary
SLICOFI-2x Command Structure and Programming

11_H	MASK	Mask Register	FF_H	Y
-----------------------	-------------	---------------	-----------------------	----------

Bit	7	6	5	4	3	2	1	0
	READY -M	HOOK -M	GNDK -M	GNKP -M	ICON -M	VRTLIM -M	OTEMP -M	SYNC -M

The mask bits in the mask register only influence the generation of an interrupt. Even if the mask bit is set to 1, the corresponding status bit in the INTREGx registers gets updated to show the current status of the corresponding event.

- READY-M** Mask bit for Ramp Generator READY bit
 READY-M = 0 An interrupt is generated if the READY bit changes from 0 to 1.
 READY-M = 1 Changes of the READY bit don't generate interrupts.
- HOOK-M** Mask bit for Off-Hook Detection HOOK bit
 HOOK-M = 0 Each change of the HOOK bit generates an interrupt.
 HOOK-M = 1 Changes of the HOOK bit don't generate interrupts.
- GNDK-M** Mask bit for Ground Key Detection GNDK bit
 GNDK-M = 0 Each change of the GNDK bit generates an interrupt.
 GNDK-M = 1 Changes of the GNDK bit don't generate interrupts.
- GNKP-M** Mask bit for Ground Key Level GNKP bit
 GNKP-M = 0 Each change of the GNKP bit generates an interrupt.
 GNKP-M = 1 Changes of the GNKP bit don't generate interrupts.
- ICON-M** Mask bit for Constant Current Information ICON bit
 ICON-M = 0 Each change of the ICON bit generates an interrupt.
 ICON_M = 1 Changes of the ICON bit don't generate interrupts.
- VRTLIM-M** Mask bit for Programmed Voltage Limit VRTLIM bit
 VRTLIM-M = 0 Each change of the VRTLIM bit generates an interrupt.
 VRTLIM-M = 1 Changes of the VRTLIM bit don't generate interrupts.

Preliminary

SLICOFI-2x Command Structure and Programming

OTEMP-M Mask bit for Thermal Overload Warning OTEMP bit

OTEMP-M = 0 A change of the OTEMP bit from 0 to 1 generates an interrupt.

OTEMP-M = 1 A change of the OTEMP bit from 0 to 1 doesn't generate interrupts.

SYNC-M Mask bit for Synchronization Failure SYNC-FAIL bit

SYNC-M = 0 A change of the SYNC-FAIL bit from 0 to 1 generates an interrupt.

SYNC-M = 1 A change of the SYNC-FAIL bit from 0 to 1 doesn't generate interrupts.

Preliminary

SLICOFI-2x Command Structure and Programming

12_H	IOCTL1	IO Control Register 1	0F_H	Y				
Bit	7	6	5	4	3	2	1	0
	IO[4:1]-INEN				IO[4:1]-M			

The mask bits IO[4:1]-M only influence the generation of an interrupt. Even if the mask bit is set to 1, the corresponding status bit in the INTREGx registers gets updated to show the current status of the corresponding event.

IO4-INEN Input enable for programmable IO pin IO4
 IO4-INEN = 0 Input Schmitt trigger of pin IO4 is disabled.
 IO4-INEN = 1 Input Schmitt trigger of pin IO4 is enabled.

IO3-INEN Input enable for programmable IO pin IO3
 IO3-INEN = 0 Input Schmitt trigger of pin IO3 is disabled.
 IO3-INEN = 1 Input Schmitt trigger of pin IO3 is enabled.

IO2-INEN Input enable for programmable IO pin IO2
 IO2-INEN = 0 Input Schmitt trigger of pin IO2 is disabled.
 IO2-INEN = 1 Input Schmitt trigger of pin IO2 is enabled.

IO1-INEN Input enable for programmable IO pin IO1
 IO1-INEN = 0 Input Schmitt trigger of pin IO1 is disabled.
 IO1-INEN = 1 Input Schmitt trigger of pin IO1 is enabled.

IO4-M Mask bit for IO4-DU bit
 IO4-M = 0 Each change of the IO4 bit generates an interrupt.
 IO4-M = 1 Changes of the IO4 bit don't generate interrupts.

IO3-M Mask bit for IO3-DU bit
 IO3-M = 0 Each change of the IO3 bit generates an interrupt.
 IO3-M = 1 Changes of the IO3 bit don't generate interrupts.

Preliminary**SLICOFI-2x Command Structure and Programming****IO2-M** Mask bit for IO2-DU bit

IO2-M = 0 Each change of the IO2 bit generates an interrupt.

IO2-M = 1 Changes of the IO2 bit don't generate interrupts.

IO1-M Mask bit for IO1-DU bit

IO1-M = 0 Each change of the IO1 bit generates an interrupt.

IO1-M = 1 Changes of the IO1 bit don't generate interrupts.

Preliminary

SLICOFI-2x Command Structure and Programming

13 _H	IOCTL2	IO Control Register 2	00 _H	Y
-----------------	--------	-----------------------	-----------------	---

Bit	7	6	5	4	3	2	1	0
	IO[4:1]-OEN				IO[4:1]-DD			

- IO4-OEN** Enabling the output driver of pin IO4
 IO4-OEN = 0 The output driver of pin IO4 is disabled.
 IO4-OEN = 1 The output driver of pin IO4 is enabled.
- IO3-OEN** Enabling the output driver of pin IO3
 IO3-OEN = 0 The output driver of pin IO3 is disabled.
 IO3-OEN = 1 The output driver of pin IO3 is enabled.
- IO2-OEN** Enabling the output driver of pin IO2
 IO2-OEN = 0 The output driver of pin IO2 is disabled.
 IO2-OEN = 1 The output driver of pin IO2 is enabled.
- IO1-OEN** Enabling the output driver of pin IO1
 If external ringing is selected (bit REXT-EN in register BCR2 set to 1), pin IO1 cannot be controlled by the user but is utilized by the SLICOFI-2S/-2S2 to control the ring relay.
 IO1-OEN = 0 The output driver of pin IO1 is disabled.
 IO1-OEN = 1 The output driver of pin IO1 is enabled.
- IO4-DD** Value for the programmable IO pin IO4 if programmed as an output pin.
 IO4-DD = 0 The corresponding pin is driving a logical 0.
 IO4-DD = 1 The corresponding pin is driving a logical 1.
- IO3-DD** Value for the programmable IO pin IO3 if programmed as an output pin.
 IO3-DD = 0 The corresponding pin is driving a logical 0.
 IO3-DD = 1 The corresponding pin is driving a logical 1.

Preliminary**SLICOFI-2x Command Structure and Programming**

IO2-DD Value for the programmable IO pin IO2 if programmed as an output pin.

IO2-DD = 0 The corresponding pin is driving a logical 0.

IO2-DD = 1 The corresponding pin is driving a logical 1.

IO1-DD Value for the programmable IO pin IO1 if programmed as an output pin.

IO1-DD = 0 The corresponding pin is driving a logical 0.

IO1-DD = 1 The corresponding pin as driving a logical 1.

Preliminary
SLICOFI-2x Command Structure and Programming

14_H	IOCTL3	IO Control Register 3	94_H		Y
-----------------------	---------------	-----------------------	-----------------------	--	----------

Bit	7	6	5	4	3	2	1	0
	DUP[3:0]				DUP-IO[3:0]			

DUP[3:0]

Data Upstream Persistence Counter end value. Restricts the rate of interrupts generated by the HOOK bit in the interrupt register INTREG1. The interval is programmable from 1 to 16 ms in steps of 1 ms (reset value is 10 ms).

The DUP[3:0] value affects the blocking period for ground key detection (see [Chapter 3.6](#)).

DUP[3:0]	HOOK Active, Ringing	HOOK Power Down	GNDK	GNDK $f_{\min,ACsup}$ ¹⁾
0000	1	2 ms	4 ms	125 Hz
0001	2	4 ms	8 ms	62.5 Hz
...				
1111	16	32 ms	64 ms	7.8125 Hz

¹⁾ Minimum frequency for AC suppression.

DUP-IO[3:0]

Data Upstream Persistence Counter end value for

- the IO pins when used as digital input pins.
- the bits ICON and VRTLIM in register INTREG1.

The interval is programmable from 0.5 to 60.5 ms in steps of 4 ms (reset value is 16.5 ms).

Preliminary
SLICOFI-2x Command Structure and Programming

15_H	BCR1	Basic Configuration Register 1	00_H	Y
-----------------------	-------------	--------------------------------	-----------------------	----------

Bit	7	6	5	4	3	2	1	0
	HIR	HIT	0	REVPOL	ACTR	ACTL	0	0

HIR This bit modifies different basic modes. In ringing mode an unbalanced ringing on the RING-wire (ROR) is enabled. In active mode, high impedance on the RING-wire is performed (HIR). It enables the HIRT-mode together with the HIT bit.

HIR = 0 Normal operation (ringing mode).

HIR = 1 Controls SLIC-S/-S2-interface and sets the RING wire to high impedance (active mode).

HIT This bit modifies different basic modes. In ringing mode an unbalanced ringing on the TIP-wire (ROT) is enabled. In active mode, high impedance on the TIP-wire is performed (HIT). It enables the HIRT-mode together with the HIR bit.

HIT = 0 Normal operation (ringing mode).

HIT = 1 Controls SLIC-S/-S2-interface and sets the TIP-wire to high impedance (active mode).

REVPOL Reverse polarity of DC feeding

REVPOL = 0 Normal polarity.

REVPOL = 1 Reverse polarity.

ACTR Selection of extended battery feeding in Active mode. In this case $V_{HR} - V_{BATH}$ for SLIC-S/-S2 is used.

ACTR = 0 No extended battery feeding selected.

ACTR = 1 Extended battery feeding selected.

Preliminary

SLICOFI-2x Command Structure and Programming

ACTL Selection of the low battery supply voltage V_{BATL} on SLIC-S/-S2 if available. Valid only in Active mode of the SLICOFI-2S/-2S2.

ACTL = 0 Low battery supply voltage on SLIC-S/-S2 is not selected.

ACTL = 1 Low battery supply voltage on SLIC-S/-S2 is selected.

Preliminary

SLICOFI-2x Command Structure and Programming

16 _H	BCR2	Basic Configuration Register 2	00 _H	Y
-----------------	------	--------------------------------	-----------------	---

Bit	7	6	5	4	3	2	1	0
	REXT-EN	SOFT-DIS	TTX-DIS ¹⁾	TTX-12K ²⁾	HIM-AN	AC-XGAIN	0	PDOT-DIS

¹⁾ Only for DuSLIC-S, is set to 1 for DuSLIC-S2

²⁾ Only for DuSLIC-S, is set to 0 for DuSLIC-S2

REXT-EN Enables the use of an external ring-signal generator. The synchronization is done via the RSYNC pin and the ring-burst-enable signal is transferred via the IO1 pin.

REXT-EN = 0 External ringing is disabled.

REXT-EN = 1 External ringing enabled.

SOFT-DIS Polarity soft reversal (to minimize noise on DC feeding)

SOFT-DIS = 0 Polarity soft reversal active.

SOFT-DIS = 1 Polarity hard reversal.

TTX-DIS Disables the generation of TTX bursts for metering signals. If they are disabled, reverse polarity is used instead.

TTX-DIS = 0 TTX bursts are enabled.

TTX-DIS = 1 TTX bursts are disabled, reverse polarity used.

TTX-12K Selection of TTX frequencies

TTX-12K = 0 Selects 16 kHz TTX signals instead of 12 kHz signals.

TTX-12K = 1 12 kHz TTX signals.

HIM-AN Higher impedance in analog impedance matching loop.
 HIM-AN corresponds to the coefficients calculated with DuSLICOS. If the coefficients are calculated with standard impedance in analog impedance matching loop, HIM-AN must be set to 0; if the coefficients are calculated with high impedance in analog impedance matching loop, HIM-AN must be set to 1.

HIM-AN = 0 Standard impedance in analog impedance matching loop (300 Ω).

HIM-AN = 1 High impedance in analog impedance matching loop (600 Ω).

AC-XGAIN Analog gain in transmit direction (should be set to zero).

AC-XGAIN = 0 No additional analog gain in transmit direction.

AC-XGAIN = 1 Additional 6 dB analog amplification in transmit direction.

PDOT-DIS Power Down Overtemperature Disable

PDOT-DIS = 0 When over temperature is detected, the SLIC-S/-S2 is automatically switched into Power Down High Impedance mode (PDH). This is the safe operation mode for the SLIC-S/-S2 in case of overtemperature. To leave the automatically activated PDH mode, DuSLIC has to be switched manually to PDH mode and then in the mode as desired.

PDOT-DIS = 1 When over temperature is detected, the SLIC-S/-S2 doesn't automatically switch into Power Down High Impedance mode. In this case the output current of the SLIC-S/-S2 buffers is limited to a value which keeps the SLIC-S/-S2 temperature below the upper temperature limit.

Preliminary

SLICOFI-2x Command Structure and Programming

17 _H	BCR3	Basic Configuration Register 3	00 _H	Y
-----------------	------	--------------------------------	-----------------	---

Bit	7	6	5	4	3	2	1	0
	MU-LAW	LIN	0	PCMX-EN	0	0	0	CRAM-EN

MU-LAW Selects the PCM Law
 MU-LAW = 0 A-Law enabled.
 MU-LAW = 1 μ -Law enabled.

LIN Voice transmission in a 16 bit linear representation for test purposes.
Note: Voice transmission on the other channel is inhibited if one channel is set to linear mode and the IOM-2 interface is used. In PCM/ μ C interface mode both channels can be in linear mode using two consecutive PCM timeslots on the highways. A proper timeslot selection must be specified.
 LIN = 0 PCM mode enabled (8 bit, A-law or μ -law).
 LIN = 1 Linear mode enabled (16 bit).

PCMX-EN Enables writing of subscriber voice data to the PCM highway.
 PCMX-EN = 0 Writing of subscriber voice data to PCM highway is disabled.
 PCMX-EN = 1 Writing of subscriber voice data to PCM highway is enabled.

CRAM-EN Coefficients from CRAM are used for programmable filters and DC loop behavior.
 CRAM-EN = 0 Coefficients from ROM are used.
 CRAM-EN = 1 Coefficients from CRAM are used.

18_H	BCR4	Basic Configuration Register 4	00_H	Y
-----------------------	-------------	--------------------------------	-----------------------	----------

Bit	7	6	5	4	3	2	1	0
	TH-DIS	IM-DIS	AX-DIS	AR-DIS	FRX-DIS	FRR-DIS	HPX-DIS	HPR-DIS

TH-DIS Disables the TH filter.
 TH-DIS = 0 TH filter is enabled.
 TH-DIS = 1 TH filter is disabled ($H_{TH} = 0$).

IM-DIS Disables the IM filter.
 IM-DIS = 0 IM filter is enabled.
 IM-DIS = 1 IM filter is disabled ($H_{IM} = 0$).

AX-DIS Disables the AX filter.
 AX-DIS = 0 AX filter is enabled.
 AX-DIS = 1 AX filter is disabled ($H_{AX} = 1$).

AR-DIS Disables the AR filter.
 AX-DIS = 0 AR filter is enabled.
 AX-DIS = 1 AR filter is disabled ($H_{AR} = 1$).

FRX-DIS Disables the FRX filter.
 FRX-DIS = 0 FRX filter is enabled.
 FRX-DIS = 1 FRX filter is disabled ($H_{FRX} = 1$).

FRR-DIS Disables the FRR filter.
 FRR-DIS = 0 FRR filter is enabled.
 FRR-DIS = 1 FRR filter is disabled ($H_{FRR} = 1$).

HPX-DIS Disables the high-pass filter in transmit direction.
 HPX-DIS = 0 High-pass filter is enabled.
 HPX-DIS = 1 High-pass filter is disabled ($H_{HPX} = 1$).

Preliminary

SLICOFI-2x Command Structure and Programming

HPR-DIS Disables the high-pass filter in receive direction.
 HPR-DIS = 0 High-pass filter is enabled.
 HPR-DIS = 1 High-pass filter is disabled ($H_{HPR} = 1$).

19_H	reserved	00_H	Y
-----------------------	----------	-----------------------	----------

Bit	7	6	5	4	3	2	1	0
	0	0	0	0	0	0	0	0

Preliminary

SLICOFI-2x Command Structure and Programming

1A _H	DSCR	DTMF Sender Configuration Register	00 _H		Y
-----------------	------	------------------------------------	-----------------	--	---

Bit	7	6	5	4	3	2	1	0
	DG-KEY[3:0]			COR8	PTG	TG2-EN	TG1-EN	

DG-KEY[3:0] Selects one of sixteen DTMF keys generated by the two tone generators. The key will be generated if both TG1-EN and TG2-EN are '1'.

Table 67 DTMF Keys

f_{LOW} [Hz]	f_{HIGH} [Hz]	DIGIT	DG-KEY3	DG-KEY2	DG-KEY1	DG-KEY0
697	1209	1	0	0	0	1
697	1336	2	0	0	1	0
697	1477	3	0	0	1	1
770	1209	4	0	1	0	0
770	1336	5	0	1	0	1
770	1477	6	0	1	1	0
852	1209	7	0	1	1	1
852	1336	8	1	0	0	0
852	1477	9	1	0	0	1
941	1336	0	1	0	1	0
941	1209	*	1	0	1	1
941	1477	#	1	1	0	0
697	1633	A	1	1	0	1
770	1633	B	1	1	1	0
852	1633	C	1	1	1	1
941	1633	D	0	0	0	0

COR8 Cuts off the receive path at 8 kHz before the tone generator summation point. Allows sending of tone generator signals without overlaid voice.

COR8 = 0 Cut off receive path disabled.

COR8 = 1 Cut off receive path enabled.

Preliminary**SLICOFI-2x Command Structure and Programming****PTG**

Programmable coefficients for tone generators will be used.

PTG = 0 Frequencies set by DG-KEY are used for both tone generators.

PTG = 1 CRAM coefficients used for both tone generators.

TG2-EN

Enables tone generator two

TG2-EN = 0 Tone generator is disabled.

TG2-EN = 1 Tone generator is enabled.

TG1-EN

Enables tone generator one

TG1-EN = 0 Tone generator is disabled.

TG1-EN = 1 Tone generator is enabled.

Preliminary

SLICOFI-2x Command Structure and Programming

1B_H		reserved		00_H		Y
-----------------------	--	----------	--	-----------------------	--	----------

Bit	7	6	5	4	3	2	1	0
	0	0	0	0	0	0	0	0

1C_H	LMCR1	Level Metering Configuration Register 1		22_H		Y
-----------------------	--------------	---	--	-----------------------	--	----------

Bit	7	6	5	4	3	2	1	0
	TEST-EN	0	1	PCM2DC	0	0	1	0

TEST-EN Activates the SLICOFI-2S/-2S2 test features controlled by test registers TSTR1 to TSTR5.

TEST-EN = 0 SLICOFI-2S/-2S2 test features are disabled.

TEST-EN = 1 SLICOFI-2S/-2S2 test features are enabled.

(The Test Register bits can be programmed before the TEST-EN bit is set to 1.)

PCM2DC PCM voice channel data added to the DC-output.

PCM2DC = 0 Normal operation.

PCM2DC = 1 PCM voice channel data is added to DC-output.

1D_H	LMCR2	Level Metering Configuration Register 2		00_H		Y
-----------------------	--------------	---	--	-----------------------	--	----------

Bit	7	6	5	4	3	2	1	0
	0	0	0	0	0	0	0	0

Preliminary

SLICOFI-2x Command Structure and Programming

1E _H	LMCR3	Level Metering Configuration Register 3	00 _H		Y
-----------------	-------	---	-----------------	--	---

Bit	7	6	5	4	3	2	1	0
	AC-SHORT-EN	RTR-SEL	0	0	0	0	0	0

AC-SHORT-EN The input pin ITAC will be set to a lower input impedance so that the capacitor C_{ITAC} can be recharged faster during soft reversal which makes it more silent during conversation.

AC-SHORT-EN = 0 Input impedance of the ITAC pin is standard.

AC-SHORT-EN = 1 Input impedance of the ITAC pin is lowered.

RTR-SEL Ring Trip method selection.

RTR-SEL = 0 Ring Trip with a DC offset is selected.

RTR-SEL = 1 AC Ring Trip is selected. Recommended for short lines only.

1F _H	OFR1	Offset Register 1 (High Byte)	00 _H		Y
-----------------	------	-------------------------------	-----------------	--	---

Bit	7	6	5	4	3	2	1	0
	OFFSET-H[7:0]							

OFFSET-H[7:0] Offset register high byte.

Preliminary

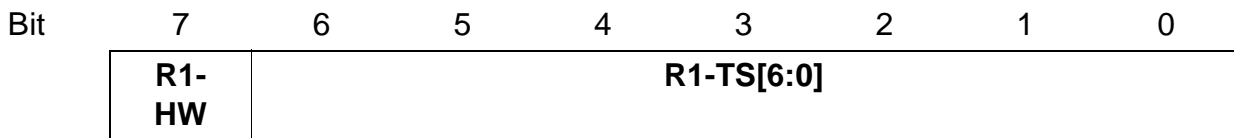
SLICOFI-2x Command Structure and Programming

20 _H	OFR2	Offset Register 2 (Low Byte)	00 _H		Y
-----------------	------	------------------------------	-----------------	--	---



OFFSET-L[7:0] Offset register low byte.
 The value of this register together with OFFSET-H is added to the input of the DC loop to compensate a given offset of the current sensors in the SLIC-S/-S2.

21 _H	PCMR1	PCM Receive Register 1	00 _H		Y
-----------------	-------	------------------------	-----------------	--	---



R1-HW Selection of the PCM highway for receiving PCM data or the higher byte of the first data sample if linear 16 kHz PCM mode is selected.
 R1-HW = 0 PCM highway A is selected.
 R1-HW = 1 PCM highway B is selected.

R1-TS[6:0] Selection of the PCM time slot used for data reception.
Note: The programmed PCM time slot must correspond to the available slots defined by the PCLK frequency. No reception will occur if a slot outside the actual numbers of slots is programmed. In linear mode (bit LIN = 1 in register BCR3) R1-TS defines the first of two consecutive slots used for reception.

Preliminary

SLICOFI-2x Command Structure and Programming

22_H		reserved		00_H		Y
-----------------------	--	----------	--	-----------------------	--	----------

Bit	7	6	5	4	3	2	1	0

23_H		reserved		00_H		Y
-----------------------	--	----------	--	-----------------------	--	----------

Bit	7	6	5	4	3	2	1	0

24_H		reserved		00_H		Y
-----------------------	--	----------	--	-----------------------	--	----------

Bit	7	6	5	4	3	2	1	0

Preliminary

SLICOFI-2x Command Structure and Programming

25 _H	PCMX1	PCM Transmit Register 1					00 _H	Y
Bit	7	6	5	4	3	2	1	0
	X1-HW		X1-TS[6:0]					

X1-HW Selection of the PCM highway for transmitting PCM data or the higher byte of the first data sample if linear 16 kHz PCM mode is selected.

X1-HW = 0 PCM highway A is selected.

X1-HW = 1 PCM highway B is selected.

X1-TS[6:0] Selection of the PCM time slot used for data transmission.

Note: The programmed PCM time slot must correspond to the available slots defined by the PCLK frequency. No transmission will occur if a slot outside the actual numbers of slots is programmed. In linear mode X1-TS defines the first of two consecutive slots used for transmission. PCM data transmission is controlled by bits 6 to 2 in register BCR3.

Preliminary

SLICOFI-2x Command Structure and Programming

26_H		reserved		00_H		Y
-----------------------	--	----------	--	-----------------------	--	----------

Bit	7	6	5	4	3	2	1	0

27_H		reserved		00_H		Y
-----------------------	--	----------	--	-----------------------	--	----------

Bit	7	6	5	4	3	2	1	0

28_H		reserved		00_H		Y
-----------------------	--	----------	--	-----------------------	--	----------

Bit	7	6	5	4	3	2	1	0

Preliminary
SLICOFI-2x Command Structure and Programming

29_H	TSTR1	Test Register 1	00_H	T	Y
-----------------------	--------------	-----------------	-----------------------	----------	----------

Bit	7	6	5	4	3	2	1	0
	PD-AC-PR	PD-AC-PO	PD-AC-AD	PD-AC-DA	PD-AC-GN	PD-GNKC	PD-OFHC	PD-OVTC

Register setting is only active if bit TEST-EN in register LMCR1 is set to 1.

- PD-AC-PR** AC-PREFI power down
 PD-AC-PR = 0 Normal operation.
 PD-AC-PR = 1 Power down mode.
- PD-AC-PO** AC-POFI power down
 PD-AC-PO = 0 Normal operation.
 PD-AC-PO = 1 Power down mode.
- PD-AC-AD** AC-ADC power down
 PD-AC-AD = 0 Normal operation.
 PD-AC-AD = 1 Power down mode, transmit path is inactive.
- PD-AC-DA** AC-DAC power down
 PD-AC-DA = 0 Normal operation.
 PD-AC-DA = 1 Power down mode, receive path is inactive.
- PD-AC-GN** AC-Gain power down
 PD-AC-GN = 0 Normal operation.
 PD-AC-GN = 1 Power down mode.
- PD-GNKC** Ground Key comparator (GNKC) is set to power down
 PD-GNKC = 0 Normal operation.
 PD-GNKC = 1 Power down mode.

Preliminary**SLICOFI-2x Command Structure and Programming**

- PD-OFHC** Off-hook comparator (OFHC) power down
PD-OFHC = 0 Normal operation.
PD-OFHC = 1 Power down mode.
- PD-OVTC** Overtemperature comparator (OVTC) power down
PD-OVTC = 0 Normal operation.
PD-OVTC = 1 Power down mode.

Preliminary
SLICOFI-2x Command Structure and Programming

2A_H	TSTR2	Test Register 2					00_H	T	Y
Bit	7	6	5	4	3	2	1	0	
	PD-DC-PR	0	PD-DC-AD	PD-DC-DA	PD-DCBUF	0	PD-TTX-A¹⁾	PD-HVI	

¹⁾ Only for DuSLIC-S, is set to 0 for DuSLIC-S2

Register setting is only active if bit TEST-EN in register LMCR1 is set to 1.

PD-DC-PR DC-PREFI power down
 PD-DC-PR = 0 Normal operation.
 PD-DC-PR = 1 Power down mode.

PD-DC-AD DC-ADC power down
 PD-DC-AD = 0 Normal operation.
 PD-DC-AD = 1 Power down mode, transmit path is inactive.

PD-DC-DA DC-DAC power down
 PD-DC-DA = 0 Normal operation.
 PD-DC-DA = 1 Power down mode, receive path is inactive.

PD-DCBUF DC-BUFFER power down
 PD-DCBUF = 0 Normal operation.
 PD-DCBUF = 1 Power down mode.

PD-TTX-A TTX adaptation DAC and POFI power down
 PD-TTX-A = 0 Normal operation.
 PD-TTX-A = 1 Power down mode.

PD-HVI HV interface (to SLIC-S/-S2) power down
 PD-HVI = 0 Normal operation.
 PD-HVI = 1 Power down mode.

Preliminary

SLICOFI-2x Command Structure and Programming

2B_H	TSTR3	Test Register 3				00_H	T	Y
Bit	7	6	5	4	3	2	1	0
	0	0	AC-DLB-4M	AC-DLB-128K	AC-DLB-32K	AC-DLB-8K	0	0

Register setting is only active if bit TEST-EN in register LMCR1 is set to 1.

AC-DLB-4M AC digital loop via 4 MHz bitstream. (The loop encloses all digital hardware in the AC path. Together with DLB-DC a pure digital test is possible because there is no influence the analog hardware.)

- AC-DLB-4M = 0 Normal operation.
- AC-DLB-4M = 1 Digital loop closed.

AC-DLB-128K AC digital loop via 128 kHz

- AC-DLB-128K = 0 Normal operation.
- AC-DLB-128K = 1 Digital loop closed.

AC-DLB-32K AC digital loop via 32 kHz

- AC-DLB-32K = 0 Normal operation.
- AC-DLB-32K = 1 Digital loop closed.

AC-DLB-8K AC digital loop via 8 kHz

- AC-DLB-8K = 0 Normal operation.
- AC-DLB-8K = 1 Digital loop closed.

Preliminary

SLICOFI-2x Command Structure and Programming

2C_H	TSTR4	Test Register 4					00_H	T	Y
Bit	7	6	5	4	3	2	1	0	
	OPIM-AN	OPIM-4M	COR-64	COX-16	0	0	0	0	

Register setting is only active if bit TEST-EN in register LMCR1 is set to 1.

OPIM-AN Open Impedance Matching Loop in the analog part.

OPIM-AN = 0 Normal operation.

OPIM-AN = 1 Loop opened.

OPIM-4M Open fast digital Impedance Matching Loop in the hardware filters.

OPIM-4M = 0 Normal operation.

OPIM-4M = 1 Loop opened.

COR-64 Cut off the AC receive path at 64 kHz (just before the IM filter).

COR-64 = 0 Normal operation.

COR-64 = 1 Receive path is cut off.

COX-16 Cut off the AC transmit path at 16 kHz. (The TH filter can be tested without influencing the analog part.)

COX-16 = 0 Normal operation.

COX-16 = 1 Transmit path is cut off.

Preliminary

SLICOFI-2x Command Structure and Programming

2D_H	TSTR5	Test Register 5					00_H	T	Y
Bit	7	6	5	4	3	2	1	0	
	0	0	0	DC- POFI- HI	DC- HOLD	0	0	0	

Register setting is only active if bit TEST-EN in register LMCR1 is set to 1.

DC-POFI-HI DC post filter limit frequency higher value
 DC-POFI-HI = 0 Limit frequency is set to 100 Hz (normal operation).
 DC-POFI-HI = 1 Limit frequency is set to 300 Hz.

DC-HOLD Actual DC output value hold (value of the last DSP filter stage will be kept)
 DC-HOLD = 0 Normal operation.
 DC-HOLD = 1 DC output value hold.

6.3.2 COP Command

The COP command gives access to the CRAM data of the DSPs. It is organized in the same way as the SOP command. The offset value allows a direct as well as a block access to the CRAM. Writing beyond the allowed offset will be ignored, reading beyond it will give unpredictable results.

The value of a specific CRAM coefficient is calculated by the DuSLICOS software.

Bit	7	6	5	4	3	2	1	0
Byte 1	RD	1	ADR[2:0]			1	0	1
Byte 2	OFFSET[7:0]							

RD Read Data

RD = 0 Write data to chip.

RD = 1 Read data from chip.

ADR[2:0] Channel address for the subsequent data

ADR[2:0] = 0 0 0 Channel A

ADR[2:0] = 0 0 1 Channel B

(other codes reserved for future use)

Preliminary
SLICOFI-2x Command Structure and Programming

Offset [7:0]	Short Name	Long Name
00 _H	TH1	Transhybrid Filter Coefficients Part 1
08 _H	TH2	Transhybrid Filter Coefficients Part 2
10 _H	TH3	Transhybrid Filter Coefficients Part 3
18 _H	FRR	Frequency-response Filter Coefficients Receive Direction
20 _H	FRX	Frequency-response Filter Coefficients Transmit Direction
28 _H	AR	Amplification/Attenuation Stage Coefficients Receive
30 _H	AX	Amplification/Attenuation Stage Coefficients Transmit
38 _H	PTG1	Tone Generator 1 Coefficients
40 _H	PTG2	Tone Generator 2 Coefficients
48 _H	LPR	Low Pass Filter Coefficients Receive
50 _H	LPX	Low Pass Filter Coefficients Transmit
58 _H	TTX	Teletax Coefficients
60 _H	IM1	Impedance Matching Filter Coefficients Part 1
68 _H	IM2	Impedance Matching Filter Coefficients Part 2
70 _H	RINGF	Ringer Frequency and Amplitude Coefficients (DC loop)
78 _H	RAMPF	Ramp Generator Coefficients (DC loop)
80 _H	DCF	DC-Characteristics Coefficients (DC loop)
88 _H	HF	Hook Threshold Coefficients (DC loop)
90 _H	TPF	Low Pass Filter Coefficients (DC loop)
98 _H		Reserved

Preliminary
SLICOFI-2x Command Structure and Programming
Table 68 CRAM Coefficients

Byte 7	Byte 6	Byte 5	Byte 4	Byte 3	Byte 2	Byte 1	Byte 0	Offset [7:0]									
Transhybrid Coefficient Part 1								00 _H	TH1								
Transhybrid Coefficient Part 2								08 _H	TH2								
Transhybrid Coefficient Part 3								10 _H	TH3								
FIR Filter in Receive Direction								18 _H	FRR								
FIR Filter in Transmit Direction								20 _H	FRX								
				2nd Gain Stage Receive		1st Gain Stage Receive		28 _H	AR								
				2nd Gain Stage Transmit		1st Gain Stage Transmit		30 _H	AX								
				TG1 Bandpass		TG1 Gain	TG1 Frequency	38 _H	PTG1 ¹⁾								
				TG2 Bandpass		TG2 Gain	TG2 Frequency	40 _H	PTG2 ¹⁾								
Reserved								48 _H									
Reserved								50 _H									
FIR Filter for TTX						TTX Slope	TTX Level	58 _H	TTX								
IM K Factor		IM FIR Filter						60 _H	IM1_F								
IM 4 MHz Filter			IM WDF Filter					68 _H	IM2_F								
		Ring Generator Amplitude		Ring Generator Frequency		Ring Generator Lowpass	Ring Offset RO1	70 _H	RINGF								
	Extended Battery Feeding Gain	Soft Reversal End		Constant Ramp CR		Soft Ramp SS	Ring Delay RD	78 _H	RAMPF								
Res. in Resistive Zone R _{K12}		Res. in Constant Current Zone R _I		Constant Current I _{K1}		Knee Voltage V _{K1}	Open Circuit Volt. V _{LIM}	80 _H	DCF								
Hook Message Waiting		Hook Threshold AC Ring Trip		Hook Threshold Ring		Hook Threshold Active	Hook Threshold Power Down	88 _H	HF								
				Voltage Level VRT		DC Lowpass Filter TP2	DC Lowpass Filter TP1		90 _H	TPF							
Reserved								98 _H									
16	15	14	13	12	11	10	9	8	7	6	5	4	3	2	1		

Note: CRAM coefficients are enabled by setting bit CRAM-EN in register BCR3 to 1, except coefficients PTG1 and PTG2¹⁾ which are enabled by setting bit PTG in register DSCR to 1.

6.3.2.1 CRAM Programming Ranges
Table 69 CRAM Programming Ranges

Parameter	Programming Range
Constant Current I_{K1}	0...50 mA, $\Delta < 0.5$ mA
Hook Message Waiting, Hook Thresholds	0..25 mA, $\Delta < 0.7$ mA 25...50 mA, $\Delta < 1.3$ mA
Ring Generator Frequency f_{RING}	3..40 Hz, $\Delta < 1$ Hz 40..80 Hz, $\Delta < 2$ Hz > 80 Hz, $\Delta < 4$ Hz
Ring Generator Amplitude	0..20 V, $\Delta < 1.7$ V 20..85 V, $\Delta < 0.9$ V
Ring Offset RO1	0..25 V, $\Delta < 0.6$ V 25..50 V, $\Delta < 1.2$ V 50..100 V, $\Delta < 2.4$ V, max. 150 V
Knee Voltage V_{K1} , Open Circuit Voltage V_{LIM}	0..25 V, $\Delta < 0.6$ V 25..50 V, $\Delta < 1.2$ V > 50 V, $\Delta < 2.4$ V
Resistance in Resistive Zone R_{K12}	0..1000 Ω , $\Delta < 30$ Ω
Resistance in Constant Current Zone R_I	1.8 k Ω ..4.8 k Ω , $\Delta < 120$ Ω 4.8 k Ω ..9.6 k Ω , $\Delta < 240$ Ω 9.6 k Ω ..19 k Ω , $\Delta < 480$ Ω 19 k Ω ..38 k Ω , $\Delta < 960$ Ω , max. 40 k Ω

6.3.3 IOM-2 Interface Command/Indication Byte

The Command/Indication (C/I) channel is used to communicate real time status information and for fast controlling of the DuSLIC. Data on the C/I channel are continuously transmitted in each frame until new data are sent.

Data Downstream C/I – Channel Byte (Receive) – IOM-CIDD

The first six CIDD data bits control the general operating modes for both DuSLIC channels. According to the IOM-2 specification, new data have to be present for at least two frames to be accepted.

Table 70 M2, M1, M0: General Operating Mode

CIDD			SLICOFI-2S/-2S2 Operating Mode (for details see “Operating Modes for the DuSLIC Chip Set” on Page 78)
M2	M1	M0	
1	1	1	Sleep, Power Down (PDRx)
0	0	0	Power Down High Impedance (PDH)
0	1	0	Any Active mode
1	0	1	Ringing (ACTR Burst On)
1	1	0	Active with Metering
1	0	0	Ground Start
0	0	1	Ring Pause

	CIDD	Data Downstream C/I – Channel Byte			N
--	-------------	------------------------------------	--	--	----------

Bit	7	6	5	4	3	2	1	0
	M2A	M1A	M0A	M2B	M1B	M0B	MR	MX

M2A, M1A, M0A Select operating mode for DuSLIC channel A

M2B, M1B, M0B Select operating mode for DuSLIC channel B

MR, MX Handshake bits Monitor Receive and Transmit
(see [“IOM-2 Interface Monitor Transfer Protocol” on Page 148](#))

Preliminary

SLICOFI-2x Command Structure and Programming

Data Upstream C/I – Channel Byte (Transmit) – IOM-CIDU

This byte is used to quickly transfer the most important and time-critical information from the DuSLIC. Each transfer from the DuSLIC lasts for at least two consecutive frames.

	CIDU	Data Upstream C/I – Channel Byte	00_H		N
--	-------------	----------------------------------	-----------------------	--	----------

Bit	7	6	5	4	3	2	1	0
	INT-CHA	HOOKA	GNDKA	INT-CHB	HOOKB	GNDKB	MR	MX

INT-CHA Interrupt information channel A
 INT-CHA = 0 No interrupt in channel A
 INT-CHA = 1 Interrupt in channel A

HOOKA Hook information channel A
 HOOKA = 0 On-hook channel A
 HOOKA = 1 Off-hook channel A

GNDKA Ground key information channel A
 GNDKA = 0 No longitudinal current detected
 GNDKA = 1 Longitudinal current detected in channel A

INT-CHB Interrupt information channel B
 INT-CHB = 0 No interrupt in channel B
 INT-CHB = 1 Interrupt in channel B

HOOKB Hook information channel B
 HOOKB = 0 On-hook Channel B
 HOOKB = 1 Off-hook Channel B

GNDKB Ground key information channel B
 GNDKB = 0 No longitudinal current detected
 GNDKB = 1 Longitudinal current detected in channel B

MR, MX Handshake bits Monitor Receive and Transmit
 (see [“IOM-2 Interface Monitor Transfer Protocol” on Page 148](#))

6.3.4 Programming Examples of the SLICOFI-2S/-2S2

6.3.4.1 Microcontroller Interface

SOP Write to Channel 0 Starting After the Channel-Specific Read-Only Registers

- 01000100 First command byte (SOP write for channel 0)
- 00010101 Second command byte (offset to BCR1 register)
- 00000000 Contents of BCR1 register
- 00000000 Contents of BCR2 register
- 00010001 Contents of BCR3 register
- 00000000 Contents of BCR4 register
- 00000000 Contents of BCR5 register

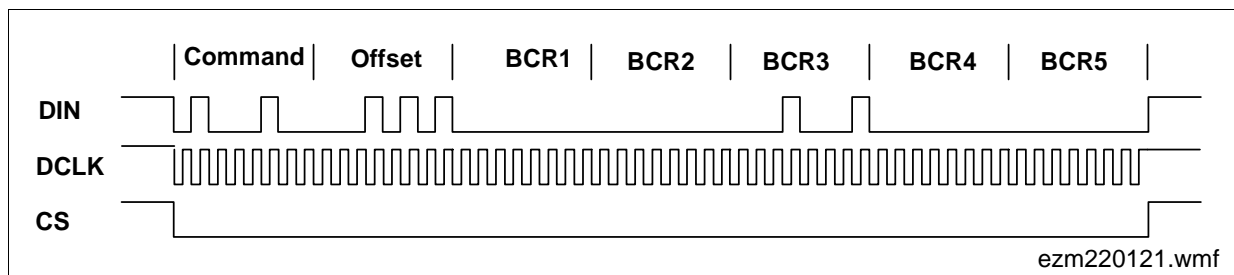


Figure 76 Waveform of Programming Example SOP Write to Channel 0

SOP Read from Channel 1 Reading Out the Interrupt Registers

- 11001100 First command byte (SOP read for channel 1).
- 00000111 Second command byte (offset to Interrupt register 1).

The SLICOFI-2S/-2S2 will send data when it has completely received the second command byte.

- 11111111 Dump byte (this byte is always FF_H).
- 11000000 Interrupt register INTREG1 (an interrupt has occurred, Off-hook was detected).
- 00000010 Interrupt register INTREG2 (IO pin 2 is '1').
- 00000000 Interrupt register INTREG3
- 00000000 Interrupt register INTREG4

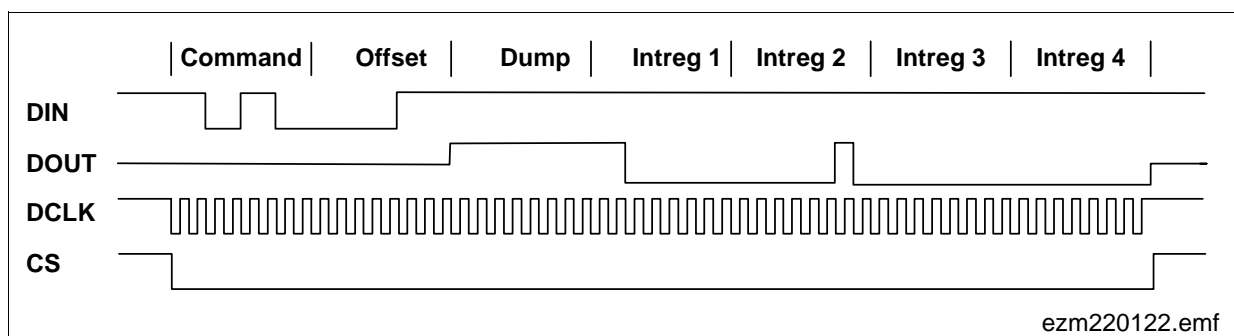


Figure 77 Waveform of Programming Example SOP Read from Channel 0

6.3.4.2 IOM-2 Interface

An example with the same programming sequence as before, using the IOM-2 interface is presented here to show the differences between the microcontroller interface and the IOM-2 interface.

SOP Write to Channel 0 Starting After the Channel-Specific Read-Only Registers

Monitor data down	MR/MX	Monitor data up	MR/MX	Comment
10000001	10	11111111	11	IOM-2 address first byte
10000001	10	11111111	01	IOM-2 address second byte
01000100	11	11111111	01	First command byte (SOP write for channel 0)
01000100	10	11111111	11	First command byte second time
00010101	11	11111111	01	Second command byte (offset to BCR1 register)
00010101	10	11111111	11	Second command byte second time
00000000	11	11111111	01	Contents of BCR1 register
00000000	10	11111111	11	Contents of BCR1 register second time
00000000	11	11111111	01	Contents of BCR2 register
00000000	10	11111111	11	Contents of BCR2 register second time
00010001	11	11111111	01	Contents of BCR3 register
00010001	10	11111111	11	Contents of BCR3 register second time
00000000	11	11111111	01	Contents of BCR4 register
00000000	10	11111111	11	Contents of BCR4 register second time
11111111	11	11111111	01	No more information (dummy byte)
11111111	11	11111111	11	Signaling EOM (end of message) by holding MX bit at '1'.

Since the SLICOFI-2S/-2S2 has an open command structure, no fixed command length is given. The IOM-2 handshake protocol allows for an infinite length of a data stream, therefore the host has to terminate the data transfer by sending an end-of-message signal (EOM) to the SLICOFI-2S/-2S2. The SLICOFI-2S/-2S2 will abort the transfer only if the host tries to write or read beyond the allowed maximum offsets given by the different types of commands. Each transfer has to start with the SLICOFI-2S/-2S2-specific IOM-2 Address (81_H) and must end with an EOM of the handshake bits. Appending a command immediately to its predecessor without an EOM in between is not allowed.

When reading interrupt registers, SLICOFI-2S/-2S2 stops the transfer after the fourth register in IOM-2 mode. This is to prevent some host chips reading 16 bytes because they can't terminate the transfer after n bytes.

Preliminary

SLICOFI-2x Command Structure and Programming

SOP-Read from Channel 1 Reading Out the Interrupt Registers

Monitor data down	MR/MX	Monitor data up	MR/MX	Comment
10000001	10	11111111	11	IOM-2 address first byte
10000001	10	11111111	01	IOM-2 address second byte
11001100	11	11111111	01	First command byte (SOP read for channel 1)
11001100	10	11111111	11	First command byte second time
00001000	11	11111111	01	Second command byte (offset to interrupt register 1)
00001000	10	11111111	11	Second command byte second time
11111111	11	11111111	01	Acknowledgement for the second command byte
11111111	11	10000001	10	IOM-2 Address first byte (answer)
11111111	01	10000001	10	IOM-2 Address second byte
11111111	01	11000000	11	Interrupt register INTREG1
11111111	11	11000000	10	Interrupt register INTREG1 second time
11111111	01	00000010	11	Interrupt register INTREG2
11111111	11	00000010	10	Interrupt register INTREG2 second time
11111111	01	00000000	11	Interrupt register INTREG3
11111111	11	00000000	10	Interrupt register INTREG3 second time
11111111	01	00000000	11	Interrupt register INTREG4
11111111	11	00000000	10	Interrupt register INTREG4 second time
11111111	11	01001101	11	SLICOFI-2S/-2S2 sends the next register
11111111	11	11111111	11	SLICOFI-2S/-2S2 aborts transmission

7 Electrical Characteristics

7.1 Electrical Characteristics PEB 4264/-2 (SLIC-S/-S2)

7.1.1 Absolute Maximum Ratings PEB 4264/-2 (SLIC-S/-S2)

Parameter	Symbol	Limit Values		Unit	Test Condition
		min.	max.		
Battery voltage L	V_{BATL} $V_{BATL} - V_{BATH}$	- 65 - 0.4	0.4	V	referred to V_{BGND}
Battery voltage	V_{BATH}	- 70	0.4	V	referred to V_{BGND}
Auxiliary supply voltage	V_{HR}	- 0.4	50	V	referred to V_{BGND}
Total battery supply voltage, continuous	$V_{HR} - V_{BATH}$	- 0.4	95	V	-
V_{DD} supply voltage	V_{DD}	- 0.4	7	V	referred to V_{AGND}
Ground voltage difference	$V_{BGND} - V_{AGND}$	- 0.4	0.4	V	-
Input voltages	$V_{DCP}, V_{DCN}, V_{ACP}, V_{ACN}, V_{C1}, V_{C2}, V_{CMS}$	- 0.4	$V_{DD} + 0.4$	V	referred to V_{AGND}
Voltages on current outputs	V_{IT}, V_{IL}	- 0.4	$V_{DD} + 0.4$	V	referred to V_{AGND}
RING, TIP voltages, continuous	V_R, V_T	$V_{BATL} - 0.4$	0.4	V	ACTL
		$V_{BATH} - 0.4$	0.4	V	ACTH, PDRH, PDRHL
		$V_{BATH} - 0.4$	$V_{HR} + 0.4$	V	ACTR, PDH, HIT, HIR
RING, TIP voltages, pulse < 10 ms	V_R, V_T	t.b.d	t.b.d	V	all modes
RING, TIP voltages, pulse < 1 ms	V_R, V_T	$V_{BATH} - 10$	$V_{HR} + 10$	V	all modes
RING, TIP voltages, pulse < 1 μ s	V_R, V_T	$V_{BATH} - 10$	$V_{HR} + 30$	V	all modes

Preliminary

Electrical Characteristics

7.1.1 Absolute Maximum Ratings PEB 4264/-2 (SLIC-S/-S2) (cont'd)

Parameter	Symbol	Limit Values		Unit	Test Condition
		min.	max.		
ESD voltage, all pins	–	–	1	kV	SDM (Socketed Device Model) ¹⁾
Junction temperature	T_j	–	150 ²⁾	°C	

1) EOS/ESD Assn. Standard DS5.3-1993.

2) Even higher value is possible when internal junction temperature protection is operative.

Note: Stresses above those listed here may cause permanent damage to the device. Exposure to absolute maximum rating conditions for extended periods may affect device reliability.

Maximum ratings are absolute ratings; even if only one of these values is exceeded, the integrated circuit may be irreversibly damaged.

Preliminary
Electrical Characteristics
7.1.2 Operating Range PEB 4264/-2 (SLIC-S/-S2)

Parameter	Symbol	Limit Values		Unit	Test Condition
		min.	max.		
Battery voltage L ¹⁾	V_{BATL}	- 60	- 15	V	referred to V_{BGND}
Battery voltage H ¹⁾	V_{BATH}	- 65	- 20	V	referred to V_{BGND}
Auxiliary supply voltage	V_{HR}	5	45	V	referred to V_{BGND}
Total battery supply voltage	$V_{HR} - V_{BATH}$	-	90	V	-
V_{DD} supply voltage	V_{DD}	4.75	5.25	V	referred to V_{AGND}
Ground voltage difference	$V_{BGND} - V_{AGND}$	- 0.4	0.4	V	-
Junction temperature	T_j	-	125	°C	simulated for a lifetime of 15 years
Voltage at pins IT, IL	V_{IT}, V_{IL}	- 0.4	3.5	V	referred to V_{AGND}
Input range V_{DCP} , V_{DCN} , V_{ACP} , V_{ACN}	V_{ACDC}	0	3.3	V	referred to V_{AGND}

¹⁾ If the battery switch is not used both pins V_{BATL} and V_{BATH} should be connected together externally. In this case the full voltage range of - 15 V to - 65 V can be used.

7.1.3 Thermal Resistances PEB 4264/-2 (SLIC-S/-S2)

Parameter	Symbol	Limit Values	Unit	Test Condition
Junction to case	$R_{th, jC}$	< 2	K/W	-
Junction to ambient	$R_{th, jA}$	< 50	K/W	without heatsink

Preliminary
Electrical Characteristics
7.1.4 Electrical Parameters PEB 4264/-2 (SLIC-S/-S2)

Minimum and maximum values are valid within the full operating range.

Functionality and performance is guaranteed for $T_A = 0$ to 70 °C by production testing. Extended temperature range operation at -40 °C $< T_A < 85$ °C is guaranteed by design, characterization and periodically sampling and testing production devices at the temperature extremes.

Testing is performed according to the specific test figures. Unless otherwise stated, load impedance $R_L = 600$ Ω, $V_{BATH} = -48$ V, $V_{BATL} = -24$ V, $V_{HR} = +32$ V and $V_{DD} = +5$ V, $R_{IT} = 1$ kΩ, $R_{IL} = 2$ kΩ, $C_{EXT} = 470$ nF. Typical values are tested at $T_A = 25$ °C.

Supply Currents and Power Dissipation

($I_R = I_T = 0$ A; $V_{CMS} = V_{ACP} = V_{ACN} = V_{DCP} = V_{DCN} = 1.5$ V)

No.	Parameter	Symbol	Mode	Limit Values			Unit
				min.	typ.	max.	

Power Down High Impedance, Power Down Resistive High

1.	V_{DD} current	I_{DD}	PDH	–	120	–	μA
2.			PDRH	–	120	–	
3.	V_{BATH} current	I_{BATH}	PDH	–	65	–	μA
4.			PDRH	–	80	–	
5.	V_{BATL} current	I_{BATL}	PDH	–	0	–	μA
6.			PDRH	–	0	–	
7.	V_{HR} current	I_{HR}	PDH	–	0	–	μA
8.			PDRH	–	0	–	
9.	Quiescent power dissipation	P_Q	PDH	–	3.7	–	mW
10.			PDRH	–	4.4	–	

Active Low

11.	V_{DD} current	I_{DD}	ACTL	–	1000	1200	μA
12.	V_{BATH} current	I_{BATH}	ACTL	–	25	45	μA
13.	V_{BATL} current	I_{BATL}	ACTL	–	2800	3400	μA
14.	V_{HR} current	I_{HR}	ACTL	–	0	10	μA
15.	Quiescent power dissipation	P_Q	ACTL	–	73.4	89.8	mW

Preliminary
Electrical Characteristics
Supply Currents and Power Dissipation
 $(I_R = I_T = 0 \text{ A}; V_{CMS} = V_{ACP} = V_{ACN} = V_{DCP} = V_{DCN} = 1.5 \text{ V})$ (cont'd)

No.	Parameter	Symbol	Mode	Limit Values			Unit
				min.	typ.	max.	

Active High

16.	V_{DD} current	I_{DD}	ACTH	–	1000	1300	μA
17.	V_{BATH} current	I_{BATH}	ACTH	–	3500	4300	μA
18.	V_{BATL} current	I_{BATL}	ACTH	–	0	10	μA
19.	V_{HR} current	I_{HR}	ACTH	–	0	10	μA
20.	Quiescent power dissipation	P_Q	ACTH	–	173	213.5	mW

Active Ring

21.	V_{DD} current	I_{DD}	ACTR	–	500	700	μA
22.	V_{BATH} current	I_{BATH}	ACTR	–	3100	3700	μA
23.	V_{BATL} current	I_{BATL}	ACTR	–	0	10	μA
24.	V_{HR} current	I_{HR}	ACTR	–	2300	2800	μA
25.	Quiescent power dissipation	P_Q	ACTR	–	225	271	mW

High Impedance on RING, High Impedance on TIP

26.	V_{DD} current	I_{DD}	HIR, HIT	–	500	700	μA
27.	V_{BATH} current	I_{BATH}	HIR, HIT	–	2100	2600	μA
28.	V_{BATL} current	I_{BATL}	HIR, HIT	–	0	10	μA
29.	V_{HR} current	I_{HR}	HIR, HIT	–	1500	2200	μA
30.	Quiescent power dissipation	P_Q	HIR, HIT	–	151	199	mW

7.1.5 Power Calculation PEB 4264/-2 (SLIC-S/-S2)

The total power dissipation consists of the quiescent power dissipation P_Q given above, the current sensor power dissipation P_I (see [Table 71](#)), the gain stage power dissipation correction P_G ¹⁾ (see [Table 72](#)) and the output stage power dissipation P_O (see [Table 73](#)):

$$P_{\text{tot}} = P_Q + P_I + P_G + P_O$$

$$\text{with } P_Q = V_{\text{DD}} \times I_{\text{DD}} + |V_{\text{BATH}}| \times I_{\text{BATH}} + |V_{\text{BATL}}| \times I_{\text{BATL}} + V_{\text{HR}} \times I_{\text{HR}}$$

For the calculation of P_I , P_G and P_O see the following tables:

Table 71 P_I Calculation PEB 4264/-2 (SLIC-S/-S2)

Operating Mode	Equation for P_I Calculation
PDH	$P_I = 0$ (no DC loop current)
PDRH, PDRHL	$P_I = I_{\text{Trans}} \times I_{\text{Trans}} \times (10000 + 500 + 16) + I_{\text{Trans}} \times (0.6 + 0.425 \times V_{\text{BATH}})$
ACTL	$P_I = 0.055 \times I_{\text{Trans}} \times V_{\text{BATL}} + 0.04 \times I_{\text{Trans}} \times V_{\text{DD}}$
ACTH	$P_I = 0.055 \times I_{\text{Trans}} \times V_{\text{BATH}} + 0.04 \times I_{\text{Trans}} \times V_{\text{DD}}$
ACTR	$P_I = 0.015 \times I_{\text{Trans}} \times V_{\text{HR}} + 0.055 \times I_{\text{Trans}} \times V_{\text{BATH}} + 0.04 \times I_{\text{Trans}} \times V_{\text{DD}}$
HIR, HIT	$P_I = 0.015 \times I_{\text{TorR}}^{1)} \times V_{\text{HR}} + 0.04 \times I_{\text{TorR}} \times V_{\text{BATH}} + 0.02 \times I_{\text{TorR}} \times V_{\text{DD}}$
HIRT	$P_I = 0$ (no DC loop current)

¹⁾ $I_{\text{TorR}} = I_{\text{TIP}}$ or I_{RING}

¹⁾ The gain stage power dissipation correction P_G is a correcting term necessary to ensure a correct power calculation if other as the defined supply voltages are used.

Table 72 P_G Calculation PEB 4264/-2 (SLIC-S/-S2)

Operating Mode	Equation for P_G Calculation
PDH, PDRH	$P_G = 0$ (gain stage not working)
ACTL	$P_G = (V_{BATL}^2 - 24^2) \times (1/60k + 1/216k)$
ACTH, PDRHL	$P_G = (V_{BATH}^2 - 48^2) \times (1/60k + 1/216k)$
ACTR	$P_G = (V_{HR} + V_{BATH}) \times (V_{HR} + V_{BATH} + V_{TIP/RING} + V_{HR} + V_{BATH} - V_{TIP/RING} - 2 \times V_{HR} + V_{BATH})/120k + (V_{HR}^2 - 32^2 + V_{BATH}^2 - 48^2) \times (1/60k + 1/216k)$
HIR, HIT, HIRT	$P_G = (V_{HR} + V_{BATH}) \times (V_{HR} + V_{BATH} + \exp V_{TIP/RING}^1 + V_{HR} + V_{BATH} - V_{TIP/RING} - 2 \times V_{HR} + V_{BATH})/120k + (V_{HR}^2 - 32^2 + V_{BATH}^2 - 48^2) \times (1/60k + 1/216k)$

1) Expected $V_{TIP/RING}$ when SLIC-S/-S2 output buffer in high impedance.

Table 73 P_O Calculation PEB 4264/-2 (SLIC-S/-S2)

Operating Mode	Equation for P_O Calculation
PDH, PDRH, PDRHL	$P_O = 0$ (output stage not working)
ACTL	$P_O = (V_{BATL} - V_{TIP/RING}) \times I_{Trans}$
ACTH	$P_O = (V_{BATH} - V_{TIP/RING}) \times I_{Trans}$
ACTR	$P_O = (V_{HR} + V_{BATH} - V_{TIP/RING}) \times I_{Trans}$
HIR, HIT	$P_O = V_{Supply-TorR}^1 \times I_{TorR}$
HIRT	$P_O = 0$ (output stage not working)

1) $V_{Supply-TorR} = V_{Supply} - V_{TIP}$ or V_{RING}

7.1.6 Power Up Sequence PEB 4264/-2 (SLIC-S/-S2)

The supply voltages of the SLIC-S/-S2 have to be applied in the following order to the respective pin:

- 1) Ground to pins AGND and BGND
- 2) V_{DD} to pin VDD
- 3) V_{BATH} to pin VBATH
- 4) V_{HR} to pin VHR and V_{BATL} to pin VBATL

If the V_{DD} voltage is applied more than one second later as V_{BATH} , V_{HR} or V_{BATL} thermal damage of the SLIC-S/-S2 can occur.

If the above sequence of the battery voltages can not be guaranteed, a diode (1N4007) has to be inserted in the VBATH line

Preliminary
Electrical Characteristics
7.2 Electrical Characteristics PEB 4265/-2 (SLIC-E/-E2)
7.2.1 Absolute Maximum Ratings PEB 4265/-2 (SLIC-E/-E2)

Parameter	Symbol	Limit Values		Unit	Test Condition
		min.	max.		
Battery voltage L	V_{BATL}	- 85	0.4	V	referred to V_{BGND}
	$V_{\text{BATL}} - V_{\text{BATH}}$	- 0.4	-	V	
Battery voltage H	V_{BATH}	- 90	0.4	V	referred to V_{BGND}
Auxiliary supply voltage	V_{HR}	- 0.4	90	V	referred to V_{BGND}
Total battery supply voltage, continuous	$V_{\text{HR}} - V_{\text{BATH}}$	-	160	V	-
V_{DD} supply voltage	V_{DD}	- 0.4	7	V	referred to V_{AGND}
Ground voltage difference	$V_{\text{BGND}} - V_{\text{AGND}}$	- 0.4	0.4	V	-
Input voltages	$V_{\text{DCP}}, V_{\text{DCN}}, V_{\text{ACP}}, V_{\text{ACN}}, V_{\text{C1}}, V_{\text{C2}}, V_{\text{CMS}}$	- 0.4	$V_{\text{DD}} + 0.4$	V	referred to V_{AGND}
Voltages on current outputs	$V_{\text{IT}}, V_{\text{IL}}$	- 0.4	$V_{\text{DD}} + 0.4$	V	referred to V_{AGND}
RING, TIP voltages, continuous	$V_{\text{R}}, V_{\text{T}}$	$V_{\text{BATL}} - 0.4$	0.4	V	ACTL ACTH, PDRH, PDRHL ACTR, PDH, HIRT, HIT, HIR
		$V_{\text{BATH}} - 0.4$	0.4	V	
		$V_{\text{BATH}} - 0.4$	$V_{\text{HR}} + 0.4$	V	
RING, TIP voltages, pulse < 10 ms	$V_{\text{R}}, V_{\text{T}}$	t.b.d	t.b.d	V	all modes
RING, TIP voltages, pulse < 1 ms	$V_{\text{R}}, V_{\text{T}}$	$V_{\text{BATH}} - 10$	$V_{\text{HR}} + 10$	V	all modes
RING, TIP voltages, pulse < 1 μs	$V_{\text{R}}, V_{\text{T}}$	$V_{\text{BATH}} - 10$	$V_{\text{HR}} + 30$	V	all modes
ESD voltage, all pins	-	-	1	kV	SDM (Socketed Device Model) ¹⁾
Junction temperature	T_{j}	-	150 ²⁾	°C	

1) EOS/ESD Assn. Standard DS5.3-1993.

2) Even higher value is possible when internal junction temperature protection is operative.

Preliminary
Electrical Characteristics

Note: Stresses above those listed here may cause permanent damage to the device. Exposure to absolute maximum rating conditions for extended periods may affect device reliability.

Maximum ratings are absolute ratings; even if only one of these values is exceeded, the integrated circuit may be irreversibly damaged.

7.2.2 Operating Range PEB 4265/-2 (SLIC-E/-E2)

Parameter	Symbol	Limit Values		Unit	Test Condition
		min.	max.		
Battery voltage L ¹⁾	V_{BATL}	- 80	- 15	V	referred to V_{BGND}
Battery voltage H ¹⁾	V_{BATH}	- 85	- 20	V	referred to V_{BGND}
Auxiliary supply voltage	V_{HR}	5	85	V	referred to V_{BGND}
Total battery supply voltage	$V_{HR} - V_{BATH}$	-	150	V	-
V_{DD} supply voltage	V_{DD}	4.75	5.25	V	referred to V_{AGND}
Ground voltage difference	$V_{BGND} - V_{AGND}$	- 0.4	0.4	V	-
Junction temperature	T_j	-	125	°C	simulated for a lifetime of 15 years
Voltage at pins IT, IL	V_{IT}, V_{IL}	- 0.4	3.5	V	referred to V_{AGND}
Input range V_{DCP} , V_{DCN} , V_{ACP} , V_{ACN}	V_{ACDC}	0	3.3	V	referred to V_{AGND}

¹⁾ If the battery switch is not used both pins V_{BATL} and V_{BATH} should be connected together externally. In this case the full voltage range of - 15 V to - 85 V can be used.

7.2.3 Thermal Resistances PEB 4265/-2 (SLIC-E/-E2)

Parameter	Symbol	Limit Values	Unit	Test Condition
Junction to case	$R_{th, jC}$	< 2	K/W	-
Junction to ambient	$R_{th, jA}$	< 50	K/W	without heatsink

7.2.4 Electrical Parameters PEB 4265/-2 (SLIC-E/-E2)

Minimum and maximum values are valid within the full operating range.

Functionality and performance is guaranteed for $T_A = 0$ to 70 °C by production testing. Extended temperature range operation at -40 °C $< T_A < 85$ °C is guaranteed by design, characterization and periodically sampling and testing production devices at the temperature extremes.

Testing is performed according to the specific test figures. Unless otherwise stated, load impedance $R_L = 600$ Ω, $V_{BATH} = -48$ V, $V_{BATL} = -24$ V, $V_{HR} = +32$ V and $V_{DD} = +5$ V, $R_{IT} = 1$ kΩ, $R_{IL} = 2$ kΩ, $C_{EXT} = 470$ nF. Typical values are tested at $T_A = 25$ °C.

Supply Currents and Power Dissipation

($I_R = I_T = 0$ A; $V_{CMS} = V_{ACP} = V_{ACN} = V_{DCP} = V_{DCN} = 1.5$ V)

No.	Parameter	Symbol	Mode	Limit Values			Unit
				min.	typ.	max.	

Power Down High Impedance, Power Down Resistive High

1.	V_{DD} current	I_{DD}	PDH	–	120	–	μA
2.			PDRH	–	120	–	
3.	V_{BATH} current	I_{BATH}	PDH	–	65	–	μA
4.			PDRH	–	80	–	
5.	V_{BATL} current	I_{BATL}	PDH	–	0	–	μA
6.			PDRH	–	0	–	
7.	V_{HR} current	I_{HR}	PDH	–	0	–	μA
8.			PDRH	–	0	–	
9.	Quiescent power dissipation	P_Q	PDH	–	3.7	–	mW
10.			PDRH	–	4.4	–	

Active Low

11.	V_{DD} current	I_{DD}	ACTL	–	1000	1200	μA
12.	V_{BATH} current	I_{BATH}	ACTL	–	25	45	μA
13.	V_{BATL} current	I_{BATL}	ACTL	–	2800	3400	μA
14.	V_{HR} current	I_{HR}	ACTL	–	0	10	μA
15.	Quiescent power dissipation	P_Q	ACTL	–	73.4	89.8	mW

Preliminary
Electrical Characteristics
Supply Currents and Power Dissipation
 $(I_R = I_T = 0 \text{ A}; V_{CMS} = V_{ACP} = V_{ACN} = V_{DCP} = V_{DCN} = 1.5 \text{ V})$ (cont'd)

No.	Parameter	Symbol	Mode	Limit Values			Unit
				min.	typ.	max.	

Active High

16.	V_{DD} current	I_{DD}	ACTH	–	1000	1300	μA
17.	V_{BATH} current	I_{BATH}	ACTH	–	3500	4300	μA
18.	V_{BATL} current	I_{BATL}	ACTH	–	0	10	μA
19.	V_{HR} current	I_{HR}	ACTH	–	0	10	μA
20.	Quiescent power dissipation	P_Q	ACTH	–	173	213.5	mW

Active Ring

21.	V_{DD} current	I_{DD}	ACTR	–	500	700	μA
22.	V_{BATH} current	I_{BATH}	ACTR	–	3100	3700	μA
23.	V_{BATL} current	I_{BATL}	ACTR	–	0	10	μA
24.	V_{HR} current	I_{HR}	ACTR	–	2300	2800	μA
25.	Quiescent power dissipation	P_Q	ACTR	–	225	271	mW

High Impedance on RING, High Impedance on TIP

26.	V_{DD} current	I_{DD}	HIR, HIT	–	500	700	μA
27.	V_{BATH} current	I_{BATH}	HIR, HIT	–	2100	2600	μA
28.	V_{BATL} current	I_{BATL}	HIR, HIT	–	0	10	μA
29.	V_{HR} current	I_{HR}	HIR, HIT	–	1500	2200	μA
30.	Quiescent power dissipation	P_Q	HIR, HIT	–	151	199	mW

High Impedance on RING and TIP

31.	V_{DD} current	I_{DD}	HIRT	–	500	700	μA
32.	V_{BATH} current	I_{BATH}	HIRT	–	1000	1500	μA
33.	V_{BATL} current	I_{BATL}	HIRT	–	0	10	μA
34.	V_{HR} current	I_{HR}	HIRT	–	600	800	μA
35.	Quiescent power dissipation	P_Q	HIRT	–	69.7	101.3	mW

7.2.5 Power Calculation PEB 4265/-2 (SLIC-E/-E2)

The total power dissipation consists of the quiescent power dissipation P_Q given above, the current sensor power dissipation P_I (see [Table 74](#)), the gain stage power dissipation correction $P_G^{1)}$ (see [Table 75](#)) and the output stage power dissipation P_O (see [Table 76](#)):

$$P_{\text{tot}} = P_Q + P_I + P_G + P_O$$

$$\text{with } P_Q = V_{DD} \times I_{DD} + |V_{BATH}| \times I_{BATH} + |V_{BATL}| \times I_{BATL} + V_{HR} \times I_{HR}$$

For the calculation of P_I , P_G and P_O see the following tables:

Table 74 P_I Calculation PEB 4265/-2 (SLIC-E/-E2)

Operating Mode	Equation for P_I Calculation
PDH	$P_I = 0$ (no DC loop current)
PDRH, PDRHL	$P_I = I_{\text{Trans}} \times I_{\text{Trans}} \times (10000 + 500 + 16) + I_{\text{Trans}} \times (0.6 + 0.425 \times V_{\text{BATH}})$
ACTL	$P_I = 0.055 \times I_{\text{Trans}} \times V_{\text{BATL}} + 0.04 \times I_{\text{Trans}} \times V_{DD}$
ACTH	$P_I = 0.055 \times I_{\text{Trans}} \times V_{\text{BATH}} + 0.04 \times I_{\text{Trans}} \times V_{DD}$
ACTR	$P_I = 0.015 \times I_{\text{Trans}} \times V_{HR} + 0.055 \times I_{\text{Trans}} \times V_{\text{BATH}} + 0.04 \times I_{\text{Trans}} \times V_{DD}$
HIR, HIT	$P_I = 0.015 \times I_{\text{TorR}} \times V_{HR} + 0.04 \times I_{\text{TorR}} \times V_{\text{BATH}} + 0.02 \times I_{\text{TorR}} \times V_{DD}$
HIRT	$P_I = 0$ (no DC loop current)

¹⁾ The gain stage power dissipation correction P_G is a correcting term necessary to ensure a correct power calculation if other as the defined supply voltages are used.

Preliminary
Electrical Characteristics
Table 75 P_G Calculation PEB 4265/-2 (SLIC-E/-E2)

Operating Mode	Equation for P_G Calculation
PDH, PDRH	$P_G = 0$ (gain stage not working)
ACTL	$P_G = (V_{BATL}^2 - 24^2) \times (1/60k + 1/216k)$
ACTH, PDRHL	$P_G = (V_{BATH}^2 - 48^2) \times (1/60k + 1/216k)$
ACTR	$P_G = (V_{HR} + V_{BATH}) \times (V_{HR} + V_{BATH} + V_{TIP/RING} + V_{HR} + V_{BATH} - V_{TIP/RING} - 2 \times V_{HR} + V_{BATH})/120k + (V_{HR}^2 - 32^2 + V_{BATH}^2 - 48^2) \times (1/60k + 1/216k)$
HIR, HIT, HIRT	$P_G = (V_{HR} + V_{BATH}) \times (V_{HR} + V_{BATH} + \exp V_{TIP/RING}^1 + V_{HR} + V_{BATH} - \exp V_{TIP/RING} - 2 \times V_{HR} + V_{BATH})/120k + (V_{HR}^2 - 32^2 + V_{BATH}^2 - 48^2) \times (1/60k + 1/216k)$

1) Expected $V_{TIP/RING}$ when SLIC-E/-E2 output buffer in high impedance.

Table 76 P_O Calculation PEB 4265/-2 (SLIC-E/-E2)

Operating Mode	Equation for P_O Calculation
PDH, PDRH, PDRHL	$P_O = 0$ (output stage not working)
ACTL	$P_O = (V_{BATL} - V_{TIP/RING}) \times I_{Trans}$
ACTH	$P_O = (V_{BATH} - V_{TIP/RING}) \times I_{Trans}$
ACTR	$P_O = (V_{HR} + V_{BATH} - V_{TIP/RING}) \times I_{Trans}$
HIR, HIT	$P_O = V_{Supply-TorR} \times I_{TorR}$
HIRT	$P_O = 0$ (output stage not working)

7.2.6 Power Up Sequence PEB 4265/-2 (SLIC-E/-E2)

The supply voltages of the SLIC-E/-E2 have to be applied in the following order to the respective pin:

- 1) Ground to pins AGND and BGND
- 2) V_{DD} to pin VDD
- 3) V_{BATH} to pin VBATH
- 4) V_{HR} to pin VHR and V_{BATL} to pin VBATL

If the V_{DD} voltage is applied more than one second later as V_{BATH} , V_{HR} or V_{BATL} thermal damage of the SLIC-E/-E2 can occur.

If the above sequence of the battery voltages can not be guaranteed, a diode (1N4007) has to be inserted in the VBATH line.

Preliminary
Electrical Characteristics
7.3 Electrical Characteristics PEB 4266 (SLIC-P)
7.3.1 Absolute Maximum Ratings PEB 4266 (SLIC-P)

Parameter	Symbol	Limit Values		Unit	Test Condition
		min.	max.		
Battery voltage L	V_{BATL} $V_{\text{BATL}} - V_{\text{BATH}}$	- 145 - 0.4	0.4	V	referred to V_{BGND}
Battery voltage H	V_{BATH}	- 150	0.4	V	referred to V_{BGND}
Battery voltage R	V_{BATR} $V_{\text{BATH}} - V_{\text{BATR}}$	- 155 - 0.4	0.4	V	referred to V_{BGND}
Total battery supply voltage, continuous	$V_{\text{DD}} - V_{\text{BATR}}$	-	160	V	-
V_{DD} supply voltage	V_{DD}	- 0.4	7	V	referred to V_{AGND}
Ground voltage difference	$V_{\text{BGND}} - V_{\text{AGND}}$	- 0.4	0.4	V	-
Input voltages	$V_{\text{DCP}}, V_{\text{DCN}},$ $V_{\text{ACP}}, V_{\text{ACN}},$ $V_{\text{CMS}}, V_{\text{C1}}, V_{\text{C2}},$ V_{C3}	- 0.4	$V_{\text{DD}} + 0.4$	V	referred to V_{AGND}
Voltages on current outputs	$V_{\text{IT}}, V_{\text{IL}}$	- 0.4	$V_{\text{DD}} + 0.4$	V	referred to V_{AGND}
RING, TIP voltages, continuous	$V_{\text{R}}, V_{\text{T}}$	$V_{\text{BATL}} - 0.4$ $V_{\text{BATH}} - 0.4$ $V_{\text{BATR}} - 0.4$	+ 0.4 + 0.4 + 0.4	V V V	ACTL ACTH, PDRH, PDRHL ACTR, PDH, PDRR, PDRRL, HIRT, HIT, HIT, ROT, ROR
RING, TIP voltages, pulse < 10 ms	$V_{\text{R}}, V_{\text{T}}$	t.b.d	t.b.d	V	all modes
RING, TIP voltages, pulse < 1 ms	$V_{\text{R}}, V_{\text{T}}$	$V_{\text{BATR}} - 10$	+ 10	V	all modes
RING, TIP voltages, pulse < 1 μs	$V_{\text{R}}, V_{\text{T}}$	$V_{\text{BATR}} - 10$	+ 30	V	all modes

Preliminary

Electrical Characteristics

7.3.1 Absolute Maximum Ratings PEB 4266 (SLIC-P) (cont'd)

Parameter	Symbol	Limit Values		Unit	Test Condition
		min.	max.		
ESD voltage, all pins	–	–	1	kV	SDM (Socketed Device Model) ¹⁾
Junction temperature	T_j	–	150 ²⁾	°C	

1) EOS/ESD Assn. Standard DS5.3-1993.

2) Even higher value is possible when internal junction temperature protection is operative.

Note: Stresses above those listed here may cause permanent damage to the device. Exposure to absolute maximum rating conditions for extended periods may affect device reliability.

Maximum ratings are absolute ratings; even if only one of these values is exceeded, the intergated circuit may be irreversibly damaged.

Preliminary
Electrical Characteristics
7.3.2 Operating Range PEB 4266 (SLIC-P)

Parameter	Symbol	Limit Values		Unit	Test Condition
		min.	max.		
Battery voltage L ¹⁾	V_{BATL}	- 140	- 15	V	referred to V_{BGND}
Battery voltage H ¹⁾	V_{BATH}	- 145	- 20	V	referred to V_{BGND}
Battery voltage R ¹⁾	V_{BATR}	- 150	- 25	V	referred to V_{BGND}
Total battery supply voltage	$V_{DD} - V_{BATR}$	-	155	V	-
V_{DD} supply voltage	V_{DD}	3.1	5.5	V	referred to V_{AGND}
Ground voltage difference	$V_{BGND} - V_{AGND}$	- 0.4	0.4	V	-
Junction temperature	T_j	-	125	°C	simulated for a lifetime of 15 years
Voltage at pins IT, IL	V_{IT}, V_{IL}	- 0.4	3.5	V	referred to V_{AGND}
Input range V_{DCP} , V_{DCN} , V_{ACP} , V_{ACN}	V_{ACDC}	0	3.3	V	referred to V_{AGND}

¹⁾ Internal ringing: If the battery switch is not used both pins V_{BATL} and V_{BATH} should be connected together externally. In this case the full voltage range of - 15 V to - 145 V can be used.

External ringing: If only one negative battery voltage is used the pins V_{BATL} , V_{BATH} and V_{BATR} should be connected together externally. In this case the full voltage range of - 15 V to - 145 V can be used.

7.3.3 Thermal Resistances PEB 4266 (SLIC-P)

Parameter	Symbol	Limit Values	Unit	Test Condition
Junction to case	$R_{th, jC}$	2	K/W	-
Junction to ambient	$R_{th, jA}$	50	K/W	without heatsink

7.3.4 Electrical Parameters PEB 4266 (SLIC-P)

Minimum and maximum values are valid within the full operating range.

Functionality and performance is guaranteed for $T_A = 0$ to 70 °C by production testing. Extended temperature range operation at -40 °C $< T_A < 85$ °C is guaranteed by design, characterization and periodically sampling and testing production devices at the temperature extremes.

Testing is performed according to the test figures with external circuitry as indicated in the tables. Unless otherwise stated, load impedance $R_L = 600$ Ω, $V_{BATH} = -48$ V, $V_{BATL} = -24$ V, $V_{BATR} = -80$ V and $V_{DD} = +5$ V, $R_{IT} = 1$ kΩ, $R_{IL} = 2$ kΩ, $C_{EXT} = 470$ nF. Typical values are tested at $T_A = 25$ °C.

Supply Currents and Power Dissipation

($I_R = I_T = 0$ A; $V_{CMS} = V_{ACP} = V_{ACN} = V_{DCP} = V_{DCN} = 1.5$ V)

No.	Parameter	Symbol	Mode	Limit Values			Unit
				min.	typ.	max.	

Power Down High Impedance, Power Down Resistive Ring, Power Down Resistive High

1.	V_{DD} current	I_{DD}	PDH	–	130	180	μA
2.			PDRR		140	190	μA
3.			PDRH		140	190	μA
4.	V_{BATH} current	I_{BATH}	PDH	–	0	10	μA
5.			PDRR		0	10	μA
6.			PDRH		60	120	μA
7.	V_{BATL} current	I_{BATL}	PDH	–	0	10	μA
8.			PDRR		0	10	μA
9.			PDRH		0	10	μA
10.	V_{BATR} current	I_{BATR}	PDH	–	75	110	μA
11.			PDRR		90	150	μA
12.			PDRH		35	90	μA
13.	Quiescent power dissipation	P_Q	PDH	–	6.7	10.4	mW
14.			PDRR		7.9	13.7	mW
15.			PDRH		6.4	14.1	mW

Preliminary
Electrical Characteristics
Supply Currents and Power Dissipation
 $(I_R = I_T = 0 \text{ A}; V_{CMS} = V_{ACP} = V_{ACN} = V_{DCP} = V_{DCN} = 1.5 \text{ V})$ (cont'd)

No.	Parameter	Symbol	Mode	Limit Values			Unit
				min.	typ.	max.	

Active Low

16.	V_{DD} current	I_{DD}	ACTL	–	900	1100	μA
17.	V_{BATH} current	I_{BATH}	ACTL	–	10	15	μA
18.	V_{BATL} current	I_{BATL}	ACTL	–	2100	2700	μA
19.	V_{BATR} current	I_{BATR}	ACTL	–	10	25	μA
20.	Quiescent power dissipation	P_Q	ACTL	–	56.1	73.0	mW

Active High

21.	V_{DD} current	I_{DD}	ACTH	–	900	1100	μA
22.	V_{BATH} current	I_{BATH}	ACTH	–	2700	3400	μA
23.	V_{BATL} current	I_{BATL}	ACTH	–	0	10	μA
24.	V_{BATR} current	I_{BATR}	ACTH	–	10	25	μA
25.	Quiescent power dissipation	P_Q	ACTH	–	134.9	170.9	mW

Active Ring¹⁾

26.	V_{DD} current	I_{DD}	ACTR	–	900	1200	μA
27.	V_{BATH} current	I_{BATH}	ACTR	–	0	10	μA
28.	V_{BATL} current	I_{BATL}	ACTR	–	0	10	μA
29.	V_{BATR} current	I_{BATR}	ACTR	–	3500	4400	μA
30.	Quiescent power dissipation	P_Q	ACTR	–	284.5	358.7	mW

Ring on Ring, Ring on Tip

31.	V_{DD} current	I_{DD}	ROR, ROT	–	800	1100	μA
32.	V_{BATH} current	I_{BATH}	ROR, ROT	–	0	10	μA
33.	V_{BATL} current	I_{BATL}	ROR, ROT	–	0	10	μA
34.	V_{BATR} current	I_{BATR}	ROR, ROT	–	2400	2800	μA
35.	Quiescent power dissipation	P_Q	ROR, ROT	–	196	230.2	mW

Preliminary
Electrical Characteristics
Supply Currents and Power Dissipation
 $(I_R = I_T = 0 \text{ A}; V_{CMS} = V_{ACP} = V_{ACN} = V_{DCP} = V_{DCN} = 1.5 \text{ V})$ (cont'd)

No.	Parameter	Symbol	Mode	Limit Values			Unit
				min.	typ.	max.	

High Impedance on RING, High Impedance on TIP

36.	V_{DD} current	I_{DD}	HIR, HIT	–	700	900	μA
37.	V_{BATH} current	I_{BATH}	HIR, HIT	–	0	10	μA
38.	V_{BATL} current	I_{BATL}	HIR, HIT	–	0	10	μA
39.	V_{BATR} current	I_{BATR}	HIR, HIT	–	3000	3900	μA
40.	Quiescent power dissipation	P_Q	HIR, HIT	–	243.5	317.2	mW

High Impedance on RING and TIP

41.	V_{DD} current	I_{DD}	HIRT	–	500	800	μA
42.	V_{BATH} current	I_{BATH}	HIRT	–	0	10	μA
43.	V_{BATL} current	I_{BATL}	HIRT	–	0	10	μA
44.	V_{BATR} current	I_{BATR}	HIRT	–	2400	2900	μA
45.	Quiescent power dissipation	P_Q	HIRT	–	194.5	236.7	mW

¹⁾ ROR and ROT for $I_R = I_T = 0$ and $V_{TR} = V_{BATR}/2$

7.3.5 Power Calculation PEB 4266 (SLIC-P)

The total power dissipation includes the quiescent power dissipation P_Q given above, the current sensor power dissipation P_I (see [Table 77](#)), the gain stage power dissipation correction $P_G^{1)}$ (see [Table 78](#)), and the output stage power dissipation P_O (see [Table 79](#)):

$$P_{\text{tot}} = P_Q + P_I + P_G + P_O$$

$$\text{with } P_Q = V_{\text{DD}} \times I_{\text{DD}} + |V_{\text{BATR}}| \times I_{\text{BATR}} + |V_{\text{BATH}}| \times I_{\text{BATH}} + V_{\text{BATL}} \times I_{\text{BATL}}$$

For the calculation of P_I , P_G and P_O see the following tables:

Table 77 P_I Calculation PEB 4266 (SLIC-P)

Operating Mode	Equation for P_I Calculation
PDH	$P_I = 0$ (no DC loop current)
PDRH, PDRHL	$P_I = I_{\text{Trans}} \times I_{\text{Trans}} \times (10000 + 500 + 24) + I_{\text{Trans}} \times (0.6 + 0.425 \times V_{\text{BATH}})$
PDRR, PDRRL	$P_I = I_{\text{Trans}} \times I_{\text{Trans}} \times (10000 + 500 + 16) + I_{\text{Trans}} \times (0.6 + 0.425 \times V_{\text{BATR}})$
ACTL	$P_I = 0.055 \times I_{\text{Trans}} \times V_{\text{BATL}} + 0.04 \times I_{\text{Trans}} \times V_{\text{DD}}$
ACTH	$P_I = 0.055 \times I_{\text{Trans}} \times V_{\text{BATH}} + 0.04 \times I_{\text{Trans}} \times V_{\text{DD}}$
ACTR	$P_I = 0.055 \times I_{\text{Trans}} \times V_{\text{BATR}} + 0.04 \times I_{\text{Trans}} \times V_{\text{DD}}$
ROR, ROT	$P_I = 0.055 \times I_{\text{Trans}} \times V_{\text{BATR}} + 0.04 \times I_{\text{Trans}} \times V_{\text{DD}}$
HIR, HIT	$P_I = 0.055 \times I_{\text{TorR}} \times V_{\text{BATR}} + 0.04 \times I_{\text{TorR}} \times V_{\text{DD}}$
HIRT	$P_I = 0$ (no DC loop current)

¹⁾ The gain stage power dissipation correction P_G is a correcting term necessary to ensure a correct power calculation if other as the defined supply voltages are used.

Preliminary
Electrical Characteristics
Table 78 P_G Calculation PEB 4266 (SLIC-P)

Operating Mode	Equation for P_G Calculation
PDH, PDRH, PDRR	$P_G = 0$ (gain stage not working)
ACTL	$P_G = (V_{BATL}^2 - 24^2) \times (1/60k + 1/216k)$
ACTH, PDRHL	$P_G = (V_{BATH}^2 - 48^2) \times (1/60k + 1/216k)$
ACTR, PDRRL, HIR, HIT, HIRT	$P_G = (V_{BATR}^2 - 80^2) \times (1/60k + 1/216k)$
ROR, ROT	$P_G = (V_{TIP/RING}^2 - (V_{BATR}/2)^2)/60k + (V_{BATR}^2 - 80^2) \times (1/60k + 1/216k)$

Table 79 P_O Calculation PEB 4266 (SLIC-P)

Operating Mode	Equation for P_O Calculation
PDH, PDRH, PDRHL, PDRR, PDRRL	$P_O = 0$ (output stage not working)
ACTL	$P_O = (V_{BATL} - V_{TIP/RING}) \times I_{Trans}$
ACTH	$P_O = (V_{BATH} - V_{TIP/RING}) \times I_{Trans}$
ACTR	$P_O = (V_{BATR} - V_{TIP/RING}) \times I_{Trans}$
ROR, ROT	$P_O = (V_{BATR} - V_{TIP/RING}) \times I_{Trans}$
HIR, HIT	$P_O = V_{Supply-TorR} \times I_{TorR}$
HIRT	$P_O = 0$ (output stage not working)

7.3.6 Power Up Sequence PEB 4266 (SLIC-P)

The supply voltages of the SLIC-P have to be applied in the following order to the respective pin:

- 1) Ground to pins AGND and BGND
- 2) V_{DD} to pin VDD
- 3) V_{BATR} to pin VBATR
- 4) V_{BATH} to pin VBATH and V_{BATL} to pin VBATL

If the V_{DD} voltage is applied more than one second later as V_{BATR} , V_{BATH} or V_{BATL} thermal damage of the SLIC-P can occur.

If the above sequence of the battery voltages can not be guaranteed, a diode (1N4007) has to be inserted in the VBATR line.

Preliminary
Electrical Characteristics
7.4 Electrical Characteristics PEB 3265/PEB 3264/PEB 3264-2 (SLICOFI-2/-2S/-2S2)
7.4.1 Absolute Maximum Ratings

Parameter ¹⁾	Symbol	Limit Values		Unit	Test Condition
		min.	max.		
Supply pins (VDDi) referred to the corresponding ground pin (GNDi)	–	– 0.3	4.6	V	–
Ground pins (GNDi) referred to any other ground pin (GNDj)	–	– 0.3	0.3	V	–
Supply pins (VDDi) referred to any other supply pin (VDDj)	–	– 0.3	0.3	V	–
Analog input and output pins	–	– 0.3	3.6	V	$V_{DDA} = 3.3 \text{ V}$, $V_{GNDA/B} = 0 \text{ V}$
Digital input and output pins	–	– 0.3	5.5	V	$V_{DDD} = 3.3 \text{ V}$, $V_{GNDD} = 0 \text{ V}$
DC input and output current at any input or output pin (free from latch-up)	–	–	100	mA	–
Storage temperature	T_{STG}	– 65	125	°C	–
Ambient temperature under bias	T_A	– 40	85	°C	–
Power dissipation	P_D	–	1	W	–
ESD voltage	–	–	2	kV	Human body model ²⁾
ESD voltage, all pins	–	–	1	kV	SDM (Socketed Device Model) ³⁾

1) i, j = A, B, D, R, PLL

2) MIL STD 883D, method 3015.7 and ESD Assn. standard S5.1-1993.

3) EOS/ESD Assn. Standard DS5.3-1993.

Note: Stresses above those listed under Absolute Maximum Ratings may cause permanent damage to the device. Functional operation under these conditions is not guaranteed. Exposure to conditions beyond those indicated in the recommended operational conditions of this specification may affect device reliability.

Preliminary
Electrical Characteristics
7.4.2 Operating Range

$$V_{\text{GNDD}} = V_{\text{GNDPLL}} = V_{\text{GNDR}} = V_{\text{GNDA/B}} = 0 \text{ V}$$

Parameter	Symbol	Limit Values			Unit	Test Condition
		min.	typ.	max.		
Supply pins (VDDi) referred to the corresponding ground pin (GNDi) (i = A, B, D, R, PLL)		3.135	3.3	3.465	V	
Analog input pins referred to the ground pin (GNDj) (j = A, B) ITj, ILj, ITACj, VCMITj		0	–	3.3	V	$V_{\text{DDj}} = 3.3 \text{ V}$ $V_{\text{GNDj}} = 0 \text{ V}$
Analog output pins referred to the ground pin (GNDj) (j = A, B) ACPj, DCPj, ACNj, DCNj, VCMS, VCM C1, C2		0.3 1.3 0	– – –	2.7 1.7 3.3	V V V	$V_{\text{DDj}} = 3.3 \text{ V}$ $V_{\text{GNDj}} = 0 \text{ V}$
Analog pins for passive devices to ground pin (GNDj) (j = A, B) CDCPj, CDCNj CREF		0 1.3	– –	3.3 1.7	V V	$V_{\text{DDj}} = 3.3 \text{ V}$ $V_{\text{GNDj}} = 0 \text{ V}$
Digital input and output pins		0	–	5	V	
Ambient temperature	T_A	– 40	–	+ 85	°C	

Preliminary
Electrical Characteristics
7.4.3 Power Dissipation PEB 3265 (SLICOFI-2)
 $T_A = -40\text{ }^{\circ}\text{C}$ to $85\text{ }^{\circ}\text{C}$, unless otherwise stated.

 $V_{DDD} = V_{DDA} = V_{ddb} = V_{DDR} = V_{DDPLL} = 3.3\text{ V} \pm 5\%$;

 $V_{GNDA} = V_{GNDB} = V_{GNDR} = V_{GNDD} = V_{GNDPLL} = 0\text{ V}$

Parameter	Symbol	Limit Values			Unit	Test Condition
		min.	typ.	max.		
V_{DD} supply current ¹⁾						
Sleep both channels	$I_{DDSleep}$	–	5	7	mA	(MCLK, PCLK = 2 MHz)
Power Down both channels	$I_{DDPDown}$	–	24	30	mA	–
Active one channel	I_{DDAct1}	–	39	46	mA	without EDSP ²⁾
		–	43	50	mA	with 8 MIPS (DTMF detection)
		–	47	55	mA	with 16 MIPS
Active both channels	I_{DDAct2}	–	55	70	mA	without EDSP
		–	70	90	mA	with 32 MIPS
Power dissipation ¹⁾						
Sleep both channels	$P_{DDSleep}$	–	17	25	mW	(MCLK, PCLK = 2 MHz)
Power Down both channels	$P_{DDPDown}$	–	79	104	mW	–
Active one channel	P_{DDAct1}	–	129	160	mW	without EDSP
		–	142	174	mW	with 8 MIPS (DTMF detection)
		–	155	191	mW	with 16 MIPS
Active both channels	P_{DDAct2}	–	182	243	mW	without EDSP
		–	231	315	mW	with 32 MIPS

1) Power dissipation and supply currents are target values

2) EDSP features are DTMF detection, Caller ID generation, Line Echo Cancellation (LEC) and Universal Tone Detection (UTD).

Preliminary

Electrical Characteristics

7.4.4 Power Dissipation PEB 3264, PEB 3264-2 (SLICOFI-2S/-2S2)

$T_A = -40\text{ °C}$ to 85 °C , unless otherwise stated.

$V_{DDD} = V_{DDA} = V_{DDB} = V_{DDR} = V_{DDPLL} = 3.3\text{ V} \pm 5\%$;

$V_{GNDA} = V_{GNDB} = V_{GNDR} = V_{GNDD} = V_{GNDPLL} = 0\text{ V}$

Parameter	Symbol	Limit Values			Unit	Test Condition
		min.	typ.	max.		
V_{DD} supply current ¹⁾						
Power Down both channels	$I_{DDPDown}$	–	24	30	mA	–
Active one channel	I_{DDAct1}	–	39	46	mA	
Active both channels	I_{DDAct2}	–	55	70	mA	
Power dissipation ¹⁾						
Power Down both channels	$P_{DDPDown}$	–	79	104	mW	–
Active one channel	P_{DDAct1}	–	129	160	mW	
Active both channels	P_{DDAct2}	–	182	243	mW	

¹⁾ Power dissipation and supply currents are target values

7.4.5 Power Up Sequence for Supply Voltages

The power up of V_{DDA} , V_{DDB} , V_{DDR} , V_{DDD} and V_{DDPLL} should be performed simultaneously. No voltage should be supplied to any input or output pin before the V_{DD} voltages are applied.

Preliminary

Electrical Characteristics

7.4.6 Digital Interface

$T_A = -40$ to $+85$ °C, unless otherwise stated.

$V_{DD} = V_{DDD} = V_{DDA/B} = 3.3$ V \pm 5%; $V_{GNDD} = V_{GNDA/B} = 0$ V

Parameter	Symbol	Limit Values			Unit	Test Condition
		min.	typ.	max.		
For all input pins (including IO pins):						
Low-input pos.-going	V_{T+}	–	1.70	1.82	V	see Figure 78
High-input neg.-going	V_{T-}	1.13	1.20	–	V	see Figure 78
Input hysteresis	V_H	0.48	0.5	0.56	V	$V_H = V_{T+} - V_{T-}$
Spike rejection for reset	t_{rej}	1	–	4	μ s	–
For all output pins except DU, DXA, DXB, IO1, IO2 (including IO pins):						
Low-output voltage	V_{OL}	–	0.35	0.4	V	$I_O = -3.6$ mA
High-output voltage	V_{OH}	2.7	3.0	–	V	$I_O = 3.3$ mA
for pins DU, DXA, DXB						
Low-output voltage	V_{OLDU}	–	0.35	0.4	V	$I_O = -6$ mA
High-output voltage	V_{OHDU}	2.7	3.0	–	V	$I_O = 5.3$ mA
for pins IO1, IO2						
Low-output voltage	V_{OLDU}	–	0.35	0.4	V	$I_O = -50$ mA (PEB 3265)
	V_{OLDU}	–	0.35	0.4	V	$I_O = -30$ mA (PEB 3264/-2)
High-output voltage	V_{OHDU}	2.7	3.0	–	V	$I_O = 3.3$ mA

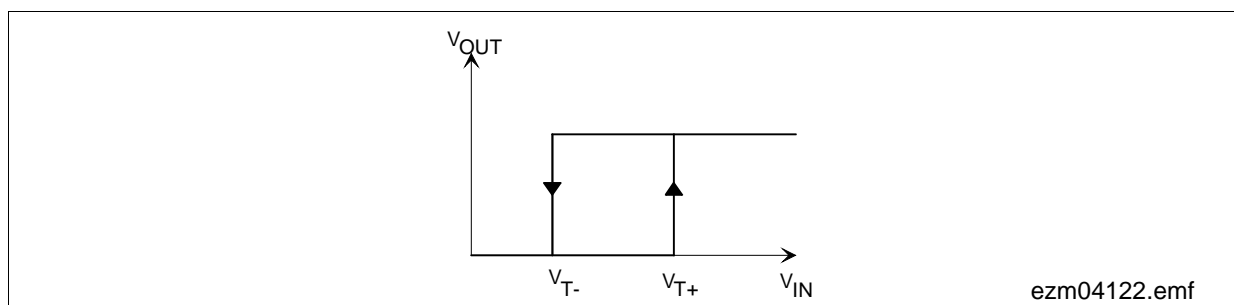


Figure 78 Hysteresis for Input Pins

7.5 AC Transmission DuSLIC

The target figures in this specification are based on the subscriber linecard requirements. The proper adjustment of the programmable filters (transhybrid balancing, impedance matching, frequency-response correction) requires the consideration of the complete analog environment of the *SLICOFI-2x* device.

Functionality and performance is guaranteed for $T_A = 0$ to $70\text{ }^\circ\text{C}$ by production testing. Extended temperature range operation at $-40\text{ }^\circ\text{C} < T_A < 85\text{ }^\circ\text{C}$ is guaranteed by design, characterization and periodically sampling and testing production devices at the temperature extremes.

Test Conditions

$T_A = -40\text{ }^\circ\text{C}$ to $85\text{ }^\circ\text{C}$, unless otherwise stated.

$V_{DDD} = V_{DDA} = V_{DDB} = V_{DDR} = V_{DDPLL} = 3.3\text{ V} \pm 5\%$;

$V_{GNDA} = V_{GNDB} = V_{GNDR} = V_{GNDD} = V_{GNPLL} = 0\text{ V}$

$R_L > 600\ \Omega$; $C_L < 10\text{ pF}$

$L_R = 0 \dots -10\text{ dB}$

$L_X = 0 \dots +3\text{ dB}$

$f = 1014\text{ Hz}$; 0 dBm_0 ; A-Law or μ -Law;

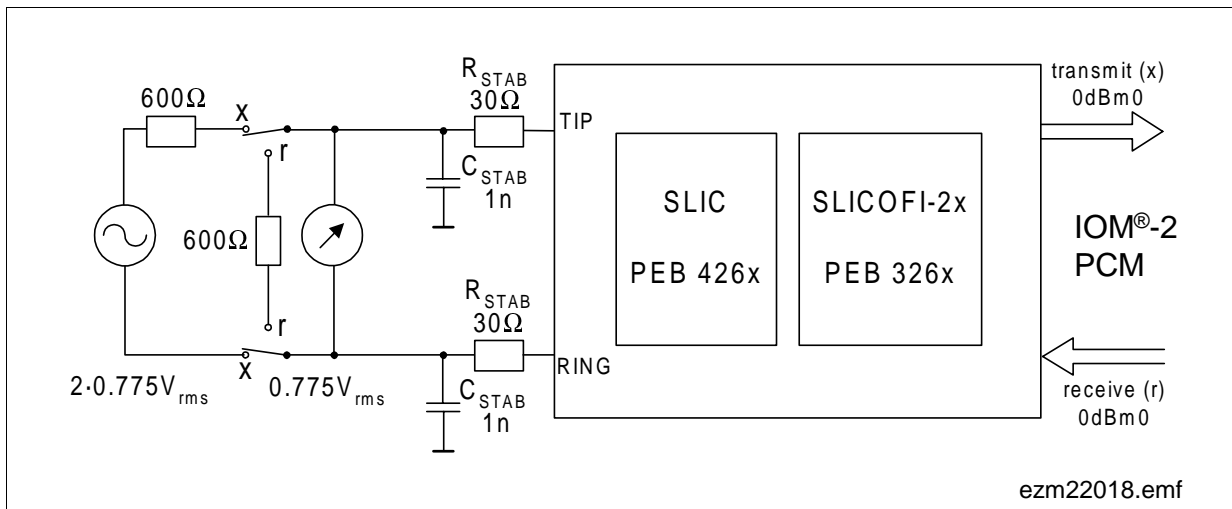


Figure 79 Signal Definitions Transmit, Receive

Note: To ensure the stability of the SLIC output buffer, R_{STAB} and C_{STAB} have to be set to the values $R_{STAB} = 30\ \Omega$ and $C_{STAB} \geq 300\text{ pF}$ (1 nF in the test circuit [Figure 79](#)).

For electromagnetic compatibility C_{STAB} must be set to the much higher value of $C_{STAB} = 15\text{ nF}$ (see [Figure 98](#)).

Preliminary
Electrical Characteristics

The 0 dBm0 definitions for Receive and Transmit are:

A 0 dBm0 AC signal in Transmit direction is equivalent to 0.775 Vrms (referred to an impedance of 600 Ω).

A 0 dBm0 AC signal in Receive direction is equivalent to 0.775 Vrms (referred to an impedance of 600 Ω).

$L_R = -10$ dBr means:

A signal of 0 dBm0 at the digital input correspond to -10 dBm at the analog interface.

$L_X = +3$ dBr means:

A signal of 3 dBm at the analog interface correspond to 0 dBm0 at the digital output.

Table 80 AC Transmission

Parameter	Symbol	Conditions	Limit Values			Unit
			min.	typ.	max.	
Longitudinal current capability AC	I_{II}	per active line	30	–	–	mArms
Overload level	V_{RT}	300 - 4000 Hz	2.3	–	–	Vrms

Transmission Performance (2-wire)

Return loss	RL	200 - 3600 Hz	26	–	–	dB
-------------	----	---------------	----	---	---	----

Insertion Loss (2-wire to 4-wire and 4-wire to 2-wire)

Gain accuracy – Transmit	G_X	0 dBm0, 1014 Hz	– 0.25	–	+ 0.25	dB
Gain accuracy – Receive	G_R	0 dBm0, 1014 Hz	– 0.25	–	+ 0.25	dB
Gain variation with temperature – 40 ... + 85 °C	–	–	–	–	± 0.1	dB

Preliminary

Electrical Characteristics

Table 80 AC Transmission (cont'd)

Parameter	Symbol	Conditions	Limit Values			Unit
			min.	typ.	max.	

Frequency Response (see [Figure 81](#) and [Figure 82](#))

Receive loss Frequency variation	G _{RAF}	Reference frequency 1014 Hz, signal level 0 dBm0, H _{FRR} = 1				
		<i>f</i> = 0 - 300 Hz	- 0.25	-	-	dB
		<i>f</i> = 300 - 400 Hz	- 0.25	-	0.9	dB
		<i>f</i> = 400 - 600 Hz	- 0.25	-	0.65	dB
		<i>f</i> = 600 - 2400 Hz	- 0.25	-	0.25	dB
		<i>f</i> = 2400 - 3000 Hz	- 0.25	-	0.45	dB
		<i>f</i> = 3000 - 3400 Hz	- 0.25	-	1.4	dB
		<i>f</i> = 3400 - 3600 Hz	- 0.25	-	-	dB
Transmit loss Frequency variation	G _{XAF}	Reference frequency 1014 Hz, signal level 0 dBm0, H _{FRX} = 1				
		<i>f</i> = 0 - 200 Hz	0	-	-	dB
		<i>f</i> = 200 - 300 Hz	- 0.25	-	-	dB
		<i>f</i> = 300 - 400 Hz	- 0.25	-	0.9	dB
		<i>f</i> = 400 - 600 Hz	- 0.25	-	0.65	dB
		<i>f</i> = 600 - 2400 Hz	- 0.25	-	0.25	dB
		<i>f</i> = 2400 - 3000 Hz	- 0.25	-	0.45	dB
		<i>f</i> = 3000 - 3400 Hz	- 0.25	-	1.4	dB
<i>f</i> = 3400 - 3600 Hz	- 0.25	-	-	dB		

Preliminary
Electrical Characteristics
Table 80 AC Transmission (cont'd)

Parameter	Symbol	Conditions	Limit Values			Unit
			min.	typ.	max.	

Gain Tracking (see [Figure 83](#) and [Figure 84](#))

Transmit gain Signal level variation	G_{XAL}	Sinusoidal test method $f = 1014$ Hz, reference level -10 dBm0				
		$V_{F_{X }} = -55$ to -50 dBm0	-1.4	$-$	1.4	dB
		$V_{F_{X }} = -50$ to -40 dBm0	-0.5	$-$	0.5	dB
		$V_{F_{X }} = -40$ to $+3$ dBm0	-0.25	$-$	0.25	dB
Receive gain Signal level variation	G_{RAL}	Sinusoidal test method $f = 1014$ Hz, reference level -10 dBm0				
		$D_{R0} = -55$ to -50 dBm0	-1.4	$-$	1.4	dB
		$D_{R0} = -50$ to -40 dBm0	-0.5	$-$	0.5	dB
		$D_{R0} = -40$ to $+3$ dBm0	-0.25	$-$	0.25	dB
Balance return loss		300 - 3400 Hz	26	$-$	$-$	dB

Group Delay (see [Figure 85](#))

Transmit delay, absolute	D_{XA}	$f = 500 - 2800$ Hz	400	490	585	μ s
Receive delay, absolute	D_{RA}	$f = 500 - 2800$ Hz	290	380	475	μ s
Group delay, Receive and Transmit, relative to 1500 Hz	D_{XR}	$f = 500 - 600$ Hz	$-$	$-$	300	μ s
		$f = 600 - 1000$ Hz	$-$	$-$	150	μ s
		$f = 1000 - 2600$ Hz	$-$	$-$	100	μ s
		$f = 2600 - 2800$ Hz	$-$	$-$	150	μ s
		$f = 2800 - 3000$ Hz	$-$	$-$	300	μ s
Overload compression A/D	OC	$-$	$-$	$-$	$-$	$-$

Preliminary
Electrical Characteristics
Table 80 AC Transmission (cont'd)

Parameter	Symbol	Conditions	Limit Values			Unit
			min.	typ.	max.	
Longitudinal Balance (according to ITU-T O.9)						
Longitudinal conversion loss	L-T	300 - 1000 Hz DuSLIC-S/-E/-P	53	58	–	dB
		DuSLIC-S2/-E2	60	65	–	dB
		3400 Hz DuSLIC-S/-E/-P	52	55	–	dB
		DuSLIC-S2/-E2	56	59	–	dB
Input longitudinal interference loss	L-4	300 - 1000 Hz DuSLIC-S/-E/-P	53	58	–	dB
		DuSLIC-S2/-E2	60	65	–	dB
		3400 Hz DuSLIC-S/-E/-P	52	55	–	dB
		DuSLIC-S2/-E2	56	59	–	dB
Transversal to longitudinal	T-L	300 - 4000 Hz	46	–	–	dB
Longitudinal signal generation	4-L	300 - 4000 Hz	46	–	–	dB

TTX Signal Generation

TTX signal	V_{TTX}	at 200 Ω	–	–	2.5	V_{rms}
------------	-----------	-----------------	---	---	-----	-----------

Out-of-Band Noise (Single Frequency Inband – 25 dBm0)

Transversal	V_{RT}	12 kHz - 200 kHz	–	– 55	– 50	dBm
Longitudinal	V_{RT}	12 kHz - 200 kHz	–	– 55	– 50	dBm

**Out-of-Band Idle Channel Noise at Analog Output
Measured with 3 kHz Bandwidth**

	V_{RT}	10 kHz	–	–	– 50	dBm
	V_{RT}	300 kHz	–	–	– 50	dBm
	V_{RT}	500 kHz	–	–	– 70	dBm
	V_{RT}	1000 kHz	–	–	– 70	dBm

Preliminary
Electrical Characteristics
Table 80 AC Transmission (cont'd)

Parameter	Symbol	Conditions	Limit Values			Unit
			min.	typ.	max.	

Out-of-Band Signals at Analog Output (Receive) (see [Figure 86](#))
Out-of-Band Signals at Analog Input (Transmit) (see [Figure 87](#))
Total Harmonic Distortion

2-wire to 4-wire	THD4	- 7 dBm0, 300 - 3400 Hz	-	- 50	- 44	dB
4-wire to 2-wire	THD2	- 7 dBm0, 300 - 3400 Hz	-	- 50	- 44	dB

Idle Channel Noise

2-wire port (receive) A-law	N _{RP}	Psophometric	-	-	- 74	dBmp
		TTX disabled	-	-	- 70	dBmp
μ-law	N _{RC}	C message	-	-	16	dBrnC
		TTX disabled	-	-	20	dBrnC
PCM side (transmit) A-Law	N _{TP}	Psophometric	-	-	- 69	dBm0p
		TTX disabled	-	-	- 67	dBm0p
μ-Law	N _{TC}	C message	-	-	18	dBrnC
		TTX disabled	-	-	20	dBrnC

Preliminary

Electrical Characteristics

Table 80 AC Transmission (cont'd)

Parameter	Symbol	Conditions	Limit Values			Unit
			min.	typ.	max.	
Distortion (Sinusoidal Test Method, see Figure 89, Figure 88 and Figure 90)						
Signal to total distortion Transmit	STD _X	Output connection: L _X = 0 dBr <i>f</i> = 1014 Hz (C message-weighted for μ-law, psophometrically weighted for A-law)				
		- 45 dBm0	22	-	-	dB
		- 40 dBm0	27	-	-	dB
		- 30 dBm0	34	-	-	dB
		- 20 dBm0	36	-	-	dB
		- 10 dBm0	36	-	-	dB
		3 dBm0	36	-	-	dB
Signal to total distortion Receive	STD _R	Input connection: L _R = - 7 dBr <i>f</i> = 1014 Hz (C message-weighted for μ-law, psophometrically weighted for A-law)				
		- 45 dBm0	17	-	-	dB
		- 40 dBm0	22	-	-	dB
		- 30 dBm0	31	-	-	dB
		- 20 dBm0	35.5	-	-	dB
		- 10 dBm0	36	-	-	dB
		3 dBm0	36	-	-	dB
Signal to total distortion Receive	STD _R	Input connection: L _R = 0 dBr <i>f</i> = 1014 Hz (C message-weighted for μ-law, psophometrically weighted for A-law)				
		- 45 dBm0	22	-	-	dB
		- 40 dBm0	27	-	-	dB
		- 30 dBm0	34	-	-	dB
		- 20 dBm0	36	-	-	dB
		- 10 dBm0	36	-	-	dB
		3 dBm0	36	-	-	dB

Preliminary

Electrical Characteristics

Table 80 AC Transmission (cont'd)

Parameter	Symbol	Conditions	Limit Values			Unit
			min.	typ.	max.	
V_{DD}/V_{RT} (SLIC)	PSRR	300 - 3400 Hz ACTL, ACTH	33	–	–	dB
V_{DDi}/V_{RT} (SLICOFI-2x) $i = A, B, D, R, PLL$	PSRR	300 - 3400 Hz ACTL, ACTH	27	–	–	dB
$V_{BATH}/V_{RT},$ V_{BATL}/V_{RT} (SLIC)	PSRR	300 - 3400 Hz	33	–	–	dB

Power Supply Rejection Ratio

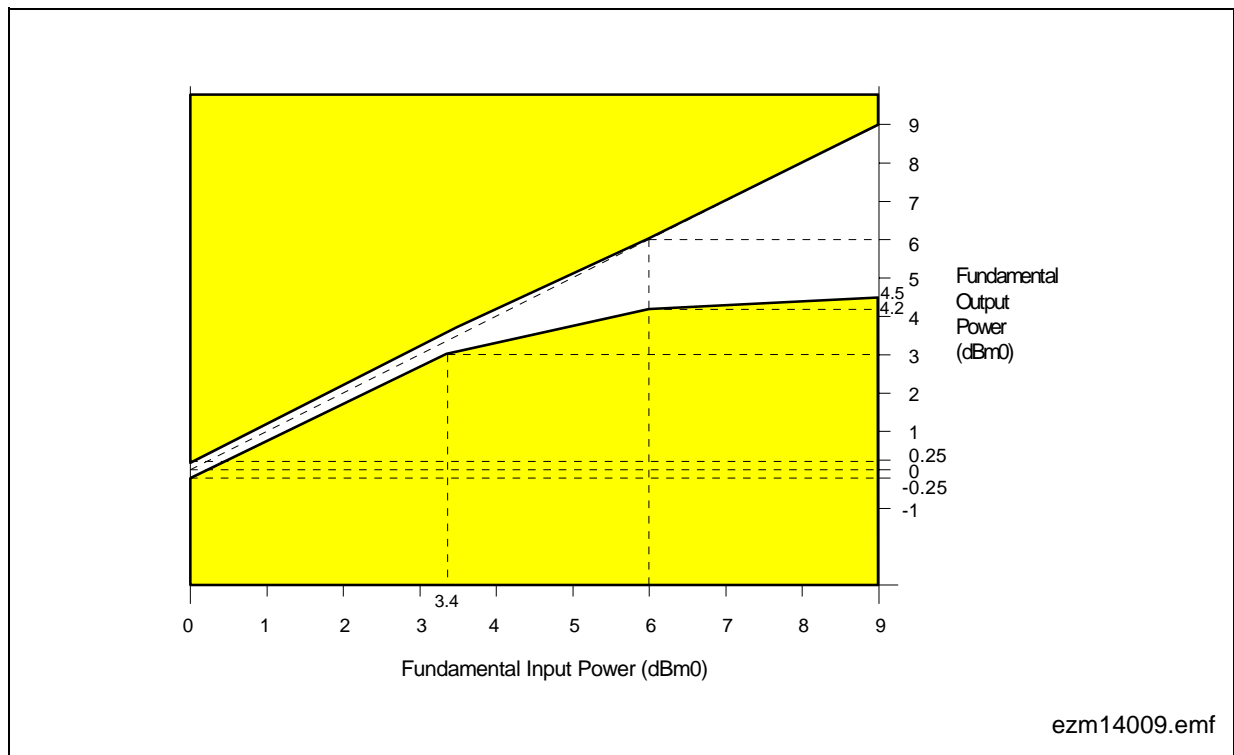


Figure 80 Overload Compression

7.5.1 Frequency Response

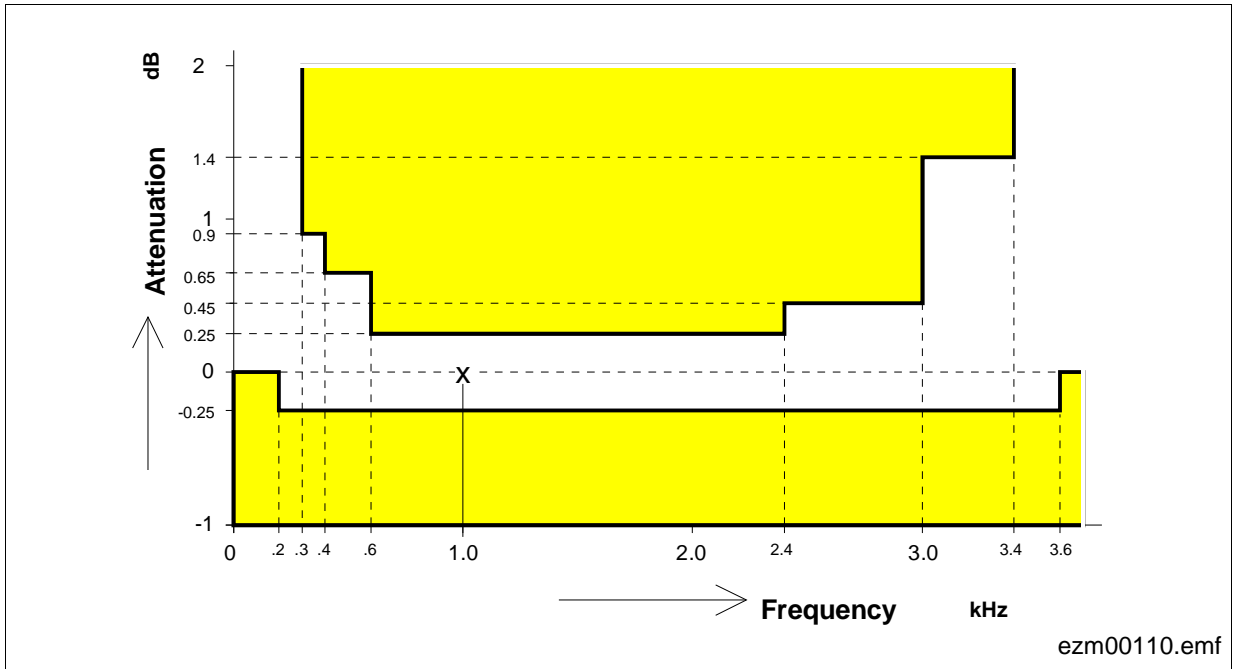


Figure 81 Frequency Response Transmit

Reference frequency 1 kHz, signal level 0 dBm0, $H_{FRX} = 1$

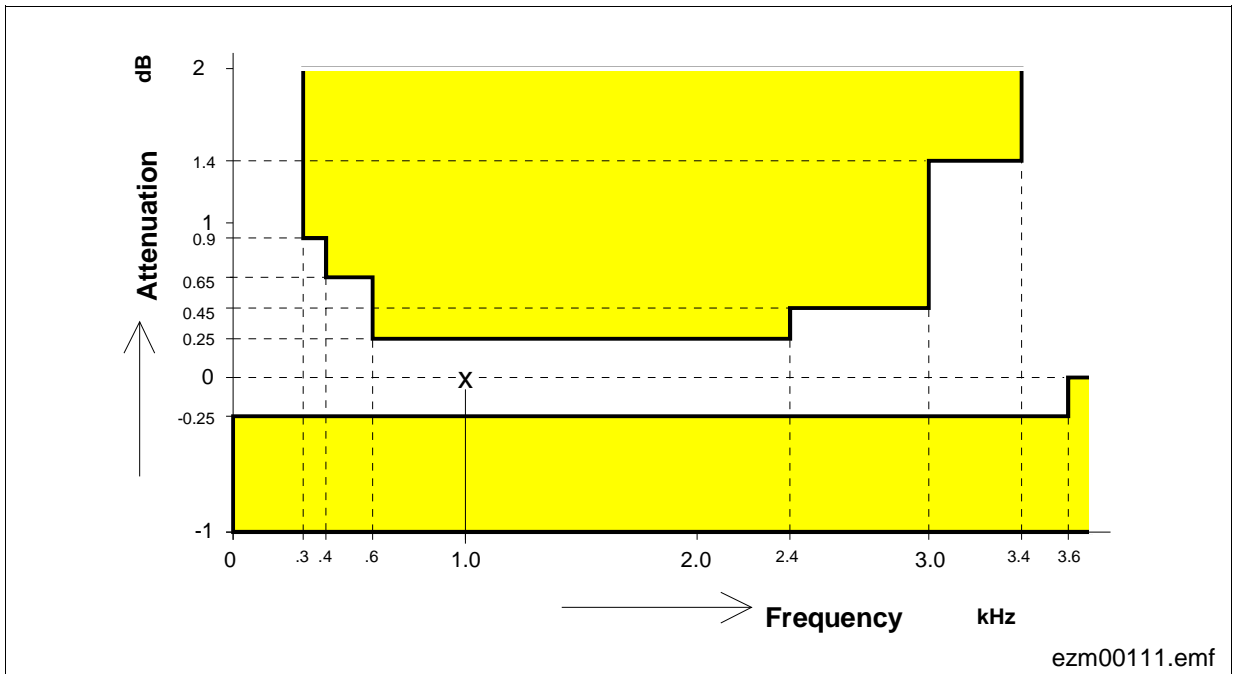


Figure 82 Frequency Response Receive

Reference frequency 1 kHz, signal level 0 dBm0, $H_{FRR} = 1$

7.5.2 Gain Tracking (Receive or Transmit)

The gain deviations stay within the limits in the figures below.

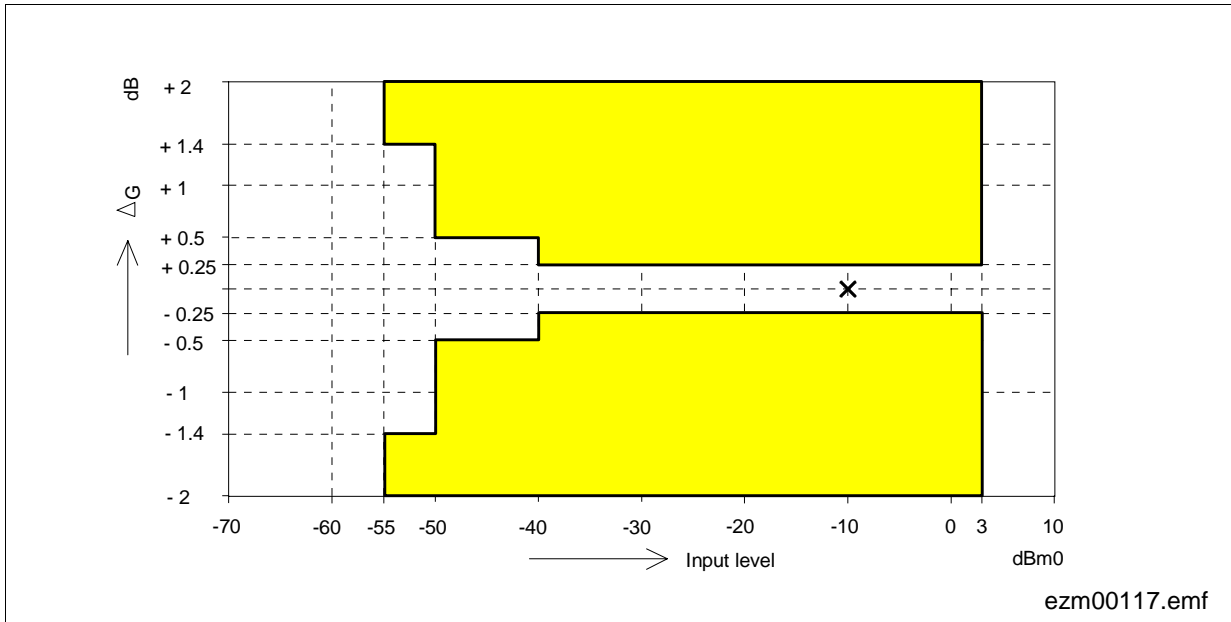


Figure 83 Gain Tracking Receive

Measured with a sine wave of $f = 1014$ Hz, the reference level is -10 dBm0.

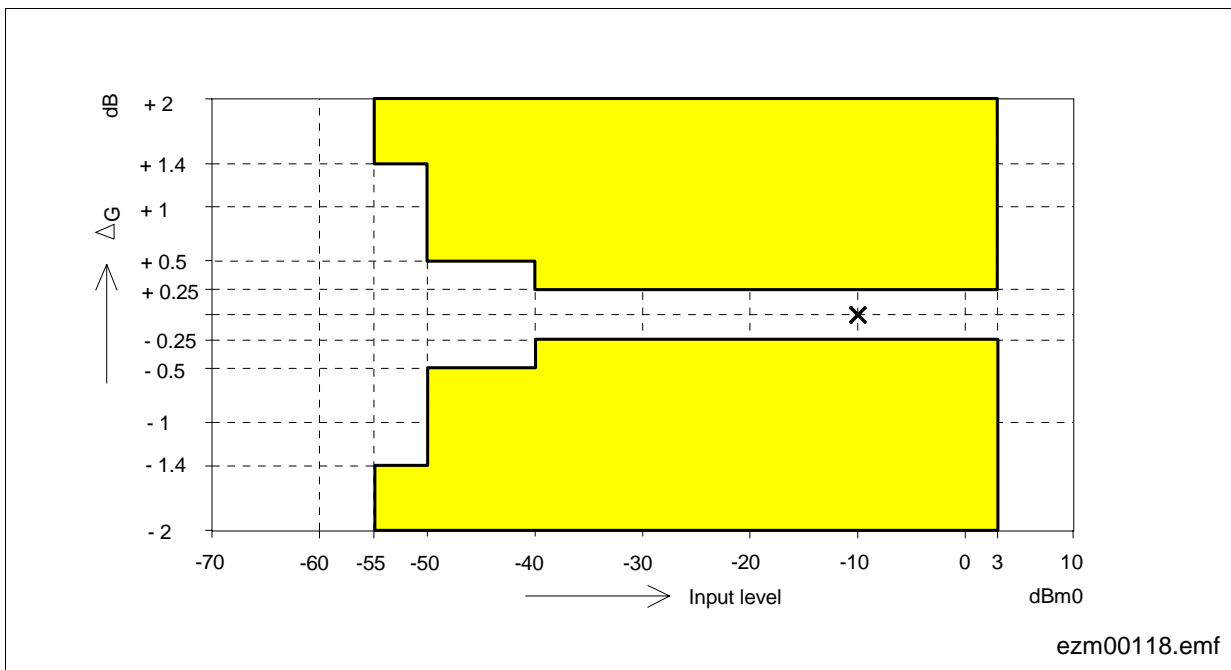


Figure 84 Gain Tracking Transmit

Measured with a sine wave of $f = 1014$ Hz, the reference level is -10 dBm0.

7.5.3 Group Delay

Minimum delays occur when the *SLICOFI-2x* is operating with disabled Frequency Response Receive and Transmit filters (bit FRR-DIS and bit FRX-DIS in register BCR4 set to 1) including the delay through A/D and D/A converters. Specific filter programming may cause additional group delays. Absolute Group delay also depends on the programmed time slot.

Group delay distortion stays within the limits in the figures below.

Table 81 Group Delay Absolute Values: Signal level 0 dBm0

Parameter	Symbol	Limit Values			Unit	Test Condition	Fig.
		min.	typ.	max.			
Transmit delay	D_{XA}	400	490	585	μs	$f = 1.5 \text{ kHz}$	–
Receive delay	D_{RA}	290	380	475	μs	$f = 1.5 \text{ kHz}$	–

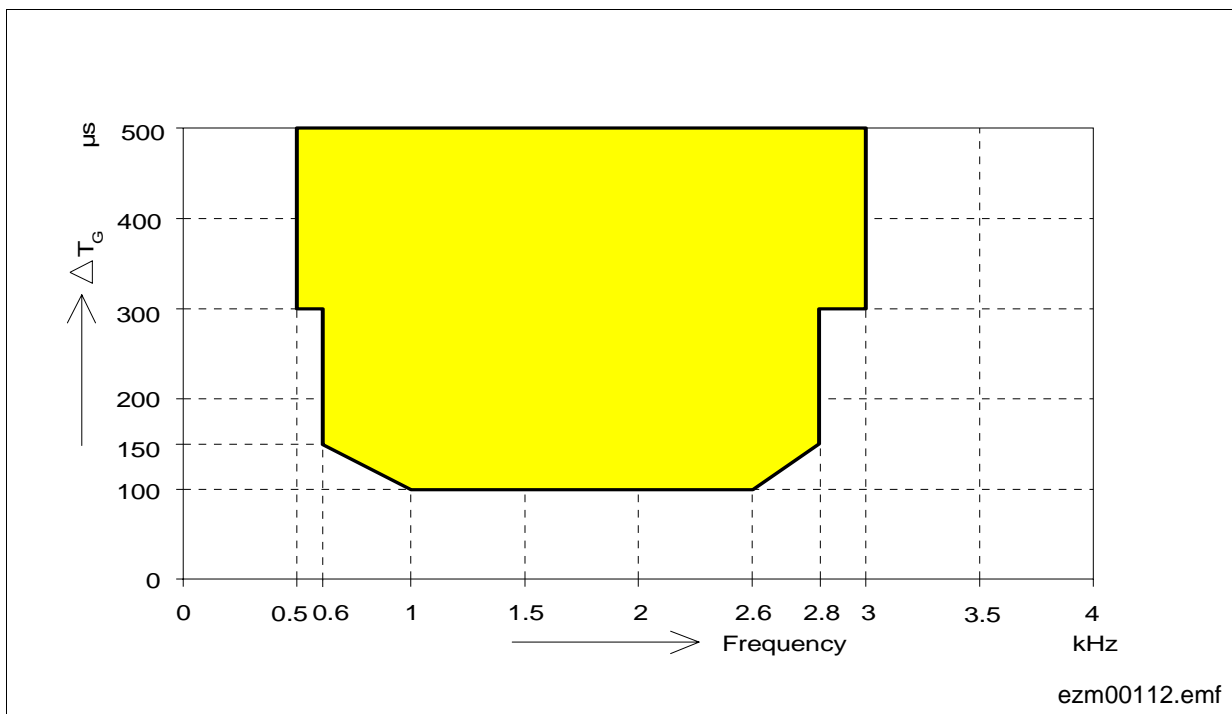


Figure 85 Group Delay Distortion Receive and Transmit

Signal level 0 dBm0

7.5.4 Out-of-Band Signals at Analog Output (Receive)

With a 0 dBm0 sine wave with a frequency of f (300 Hz to 3.4 kHz) applied to the digital input, the level of any resulting out-of-band signal at the analog output will stay at least X dB below a 0 dBm0, 1 kHz sine wave reference signal at the analog output.

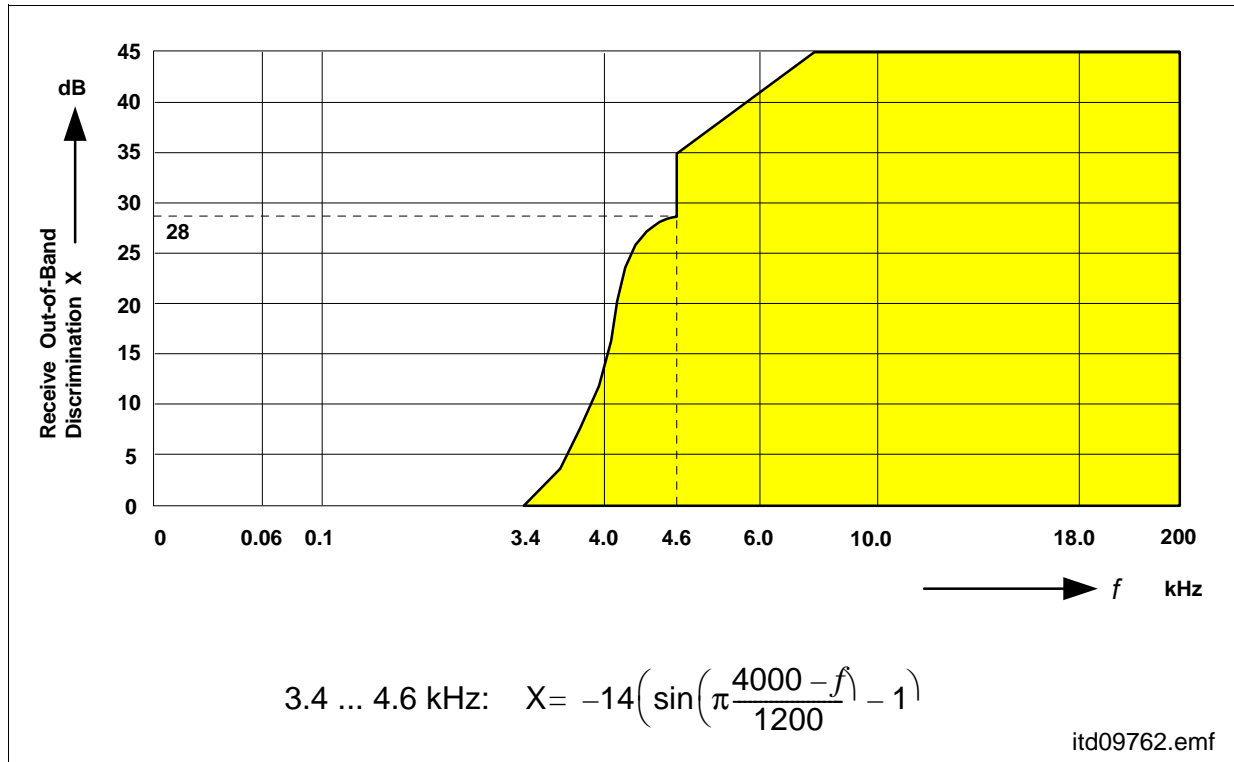


Figure 86 Out-of-Band Signals at Analog Output (Receive)

7.5.5 Out-of-Band Signals at Analog Input (Transmit)

With a 0 dBm0 out-of-band sine wave signal with a frequency of f (< 100 Hz or 3.4 kHz to 100 kHz) applied to the analog input, the level of any resulting frequency component at the digital output will stay at least X dB below a 0 dBm0, 1 kHz sine wave reference signal at the analog input.¹⁾

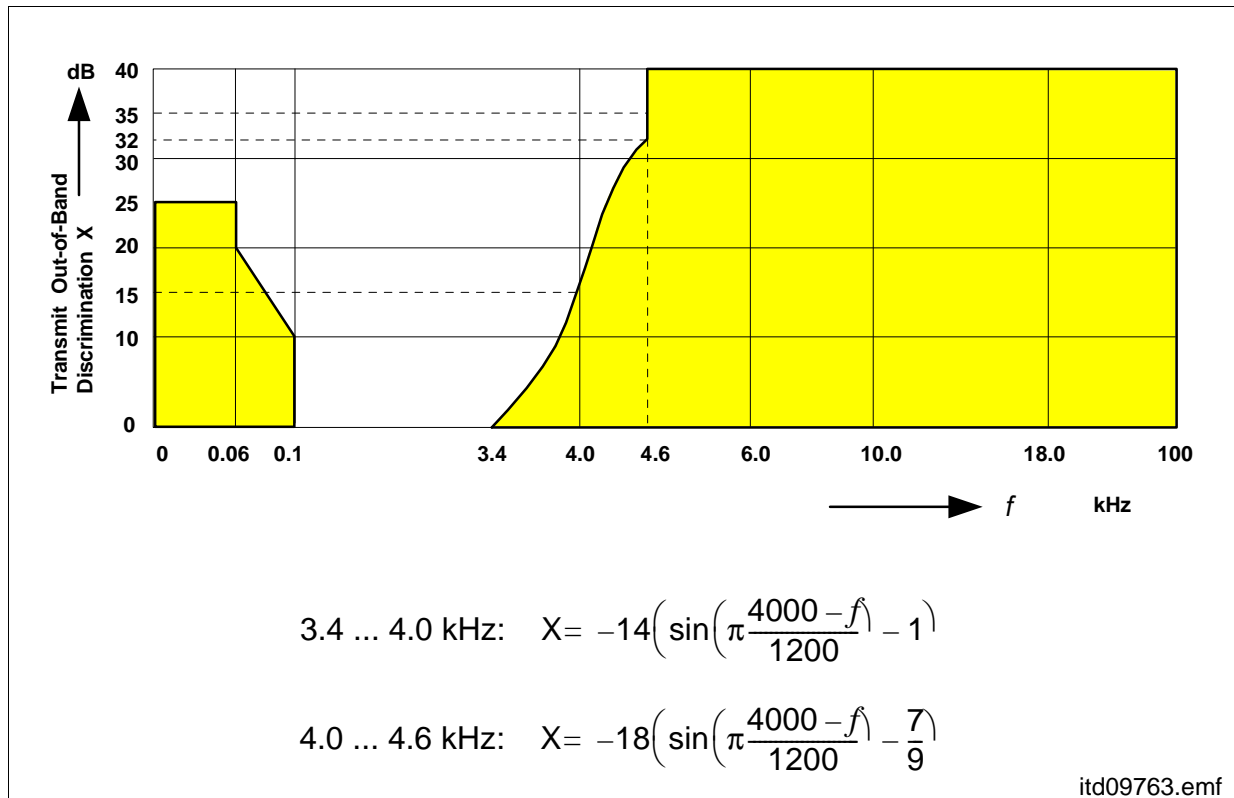


Figure 87 Out-of-Band Signals at Analog Input (Transmit)

¹⁾ Poles at 12 kHz ± 150 Hz and 16 kHz ± 150 Hz respectively and harmonics will be provided

7.5.6 Total Distortion Measured with Sine Wave

The signal to total distortion ratio exceeds the limits in the following figure:

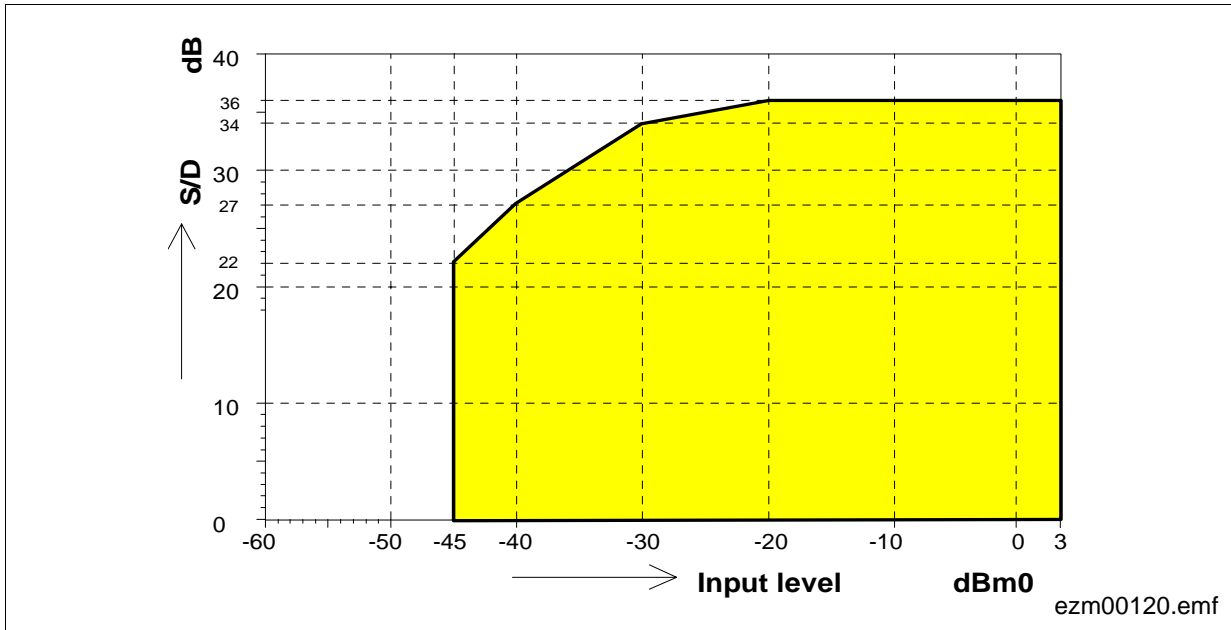


Figure 88 Total Distortion Transmit (L_x = 0 dBr)

Measured with a sine wave of $f = 1014$ Hz (C message-weighted for μ -law, psophometrically weighted for A-law).

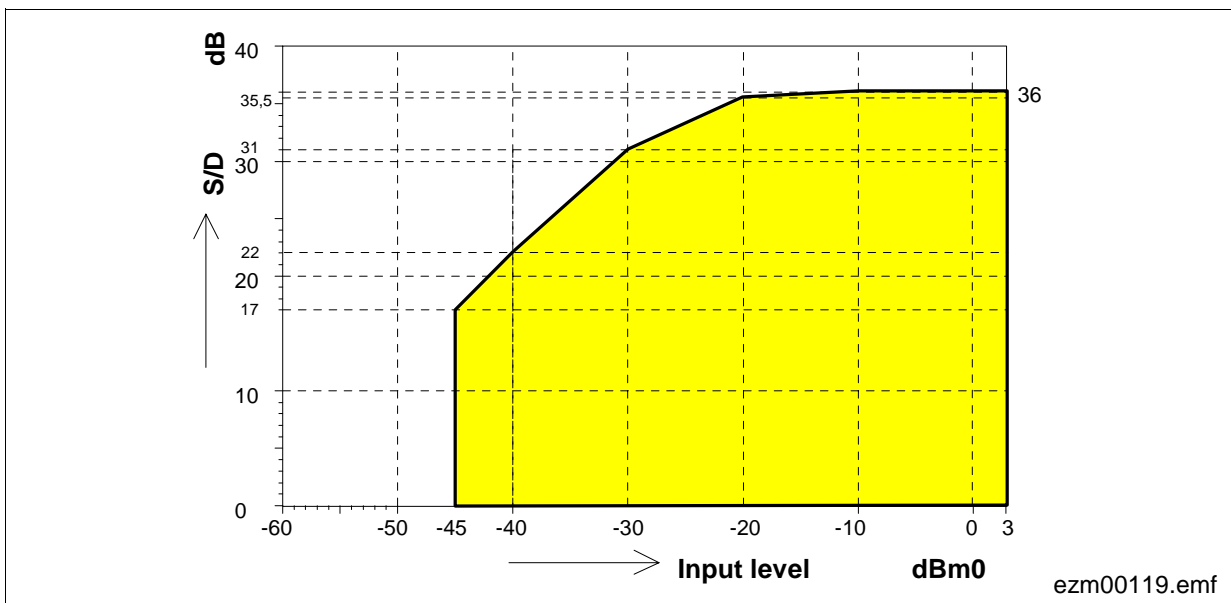


Figure 89 Total Distortion Receive (L_R = -7 dBr)

Measured with a sine wave of $f = 1014$ Hz (C message-weighted for μ -law, psophometrically weighted for A-law).

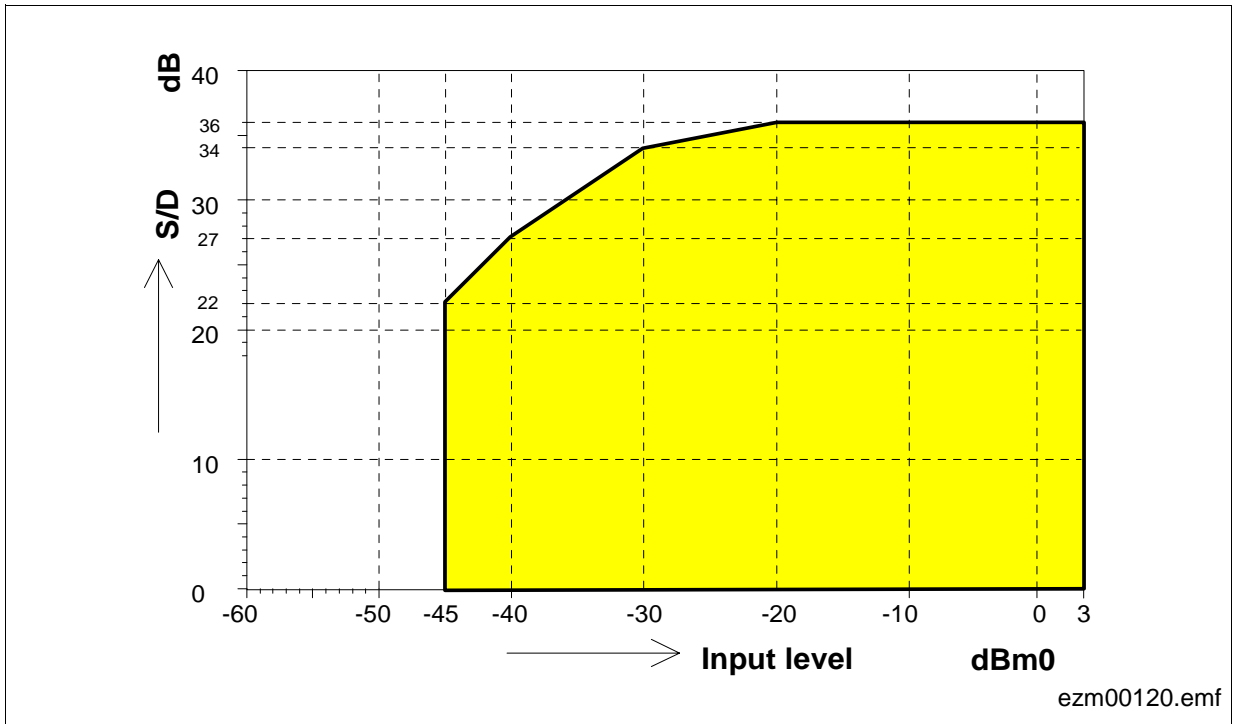


Figure 90 Total Distortion Receive ($L_R = 0$ dBr)

Measured with a sine wave of $f = 1014$ Hz (C message-weighted for μ -law, psophometrically weighted for A-law).

Preliminary
Electrical Characteristics
7.6 DC Characteristics
 $T_A = -40\text{ °C to }85\text{ °C}$, unless otherwise stated.

Table 82 DC Characteristics

Parameter	Symbol	Conditions	Limit Values			Unit
			min.	typ.	max.	

Line Termination Tip, Ring

Sinusoidal Ringing						
Max. ringing voltage	V_{RING0}	$V_{\text{HR}} - V_{\text{BATH}} = 150\text{ V}$, $V_{\text{DC}} = 20\text{ V}$ for ring trip (DuSLIC-E/-E2)	85	–	–	Vrms
		$-V_{\text{BATR}} = 150\text{ V}$, $V_{\text{DC}} = 20\text{ V}$ for ring trip (DuSLIC-P)	85			Vrms
		$V_{\text{HR}} - V_{\text{BATH}} = 90\text{ V}$, $V_{\text{DC}} = 20\text{ V}$ for ring trip (DuSLIC-S/-S2)	45	–	–	Vrms
Output impedance	R_{OUT}	SLIC output buffer and R_{STAB}	–	61	–	Ω
Harmonic distortion	THD	–	–	–	5	%
Output current limit	$ I_{\text{R, max.}} $, $ I_{\text{T, max.}} $	Modes: Active		–		
		SLIC-E/-E2/-S/-S2: SLIC-P:	80 70	105 90	130 110	mA mA
Loop current gain accuracy	–	–	–	–	3	%
Loop current offset error ¹⁾	–	–	– 0.75		0.75	mA
Loop open resistance TIP to V_{BGND}	R_{TG}	Modes: Power Down $I_{\text{T}} = 2\text{ mA}$, $T_A = 25\text{ °C}$	–	5	–	k Ω
Loop open resistance RING to V_{BAT}	R_{BG}	Modes: Power Down $I_{\text{R}} = 2\text{ mA}$, $T_A = 25\text{ °C}$	–	5	–	k Ω
Ring trip function	–	–	–	–	–	–
Ring trip DC voltage	–	SLIC-E/-E2/-S/-S2:	0		30	Vdc
		SLIC-P: balanced	0		30	Vdc
		SLIC-P: unbalanced	–	$V_{\text{BATR}}/2$	–	Vdc

Preliminary

Electrical Characteristics

Table 82 DC Characteristics (cont'd)

Parameter	Symbol	Conditions	Limit Values			Unit
			min.	typ.	max.	
Ring trip detection time delay	–	–	–	–	2	pe- riods
Ring off time delay	–	–	–	–	2	pe- riods

1) can be reduced with current offset error compensation described in [Chapter 4.8.2.8](#)

7.7 DuSLIC Timing Characteristics

$T_A = -40\text{ }^\circ\text{C}$ to $85\text{ }^\circ\text{C}$, unless otherwise stated.

7.7.1 MCLK/FSC Timing

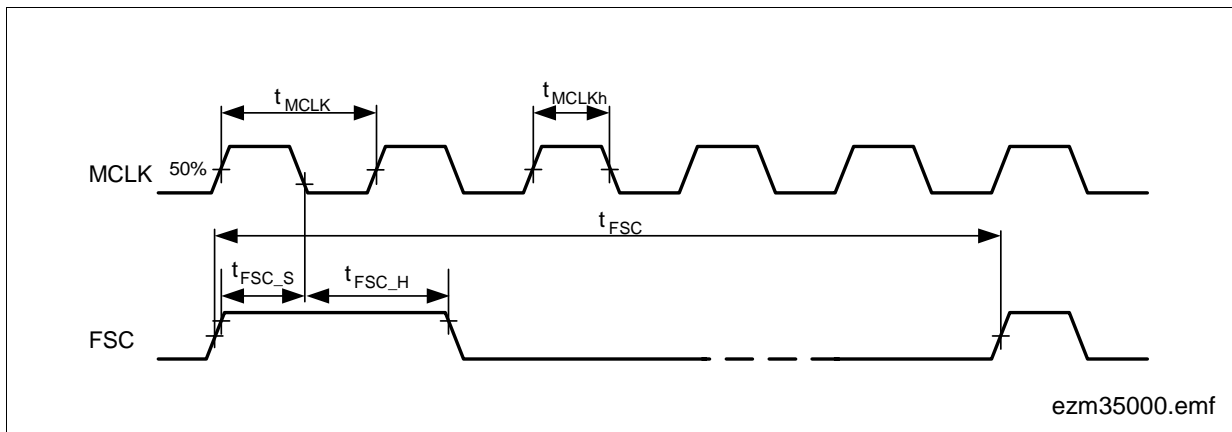


Figure 91 MCLK / FSC-Timing

Parameter	Symbol	Limit Values			Unit
		min.	typ.	max.	
Period MCLK ¹⁾	t_{MCLK}				ns
512 kHz \pm 100 ppm		1952.93	1953.13	1953.32	
1536 kHz \pm 100 ppm		650.98	651.04	651.11	
2048 kHz \pm 100 ppm		488.23	488.28	488.33	
4096 kHz \pm 100 ppm		244.116	244.141	244.165	
7168 kHz \pm 100 ppm		139.495	139.509	139.523	
8192 kHz \pm 100 ppm		122.058	122.070	122.082	
MCLK high time	t_{MCLKh}	$0.4 \times t_{MCLK}$	$0.5 \times t_{MCLK}$	$0.6 \times t_{MCLK}$	μs
Period FSC ¹⁾	t_{FSC}	–	125	–	μs
FSC setup time	t_{FSC_s}	10	50	–	ns
FSC hold time	t_{FSC_h}	40	50	–	ns
FSC (or PCM) jitter time		$-0.2 \times t_{MCLK}$		$+0.2 \times t_{MCLK}$	ns

¹⁾ The MCLK frequency must be an integer multiple of the FSC frequency.

Preliminary

Electrical Characteristics

7.7.2 PCM Interface Timing

7.7.2.1 Single-Clocking Mode

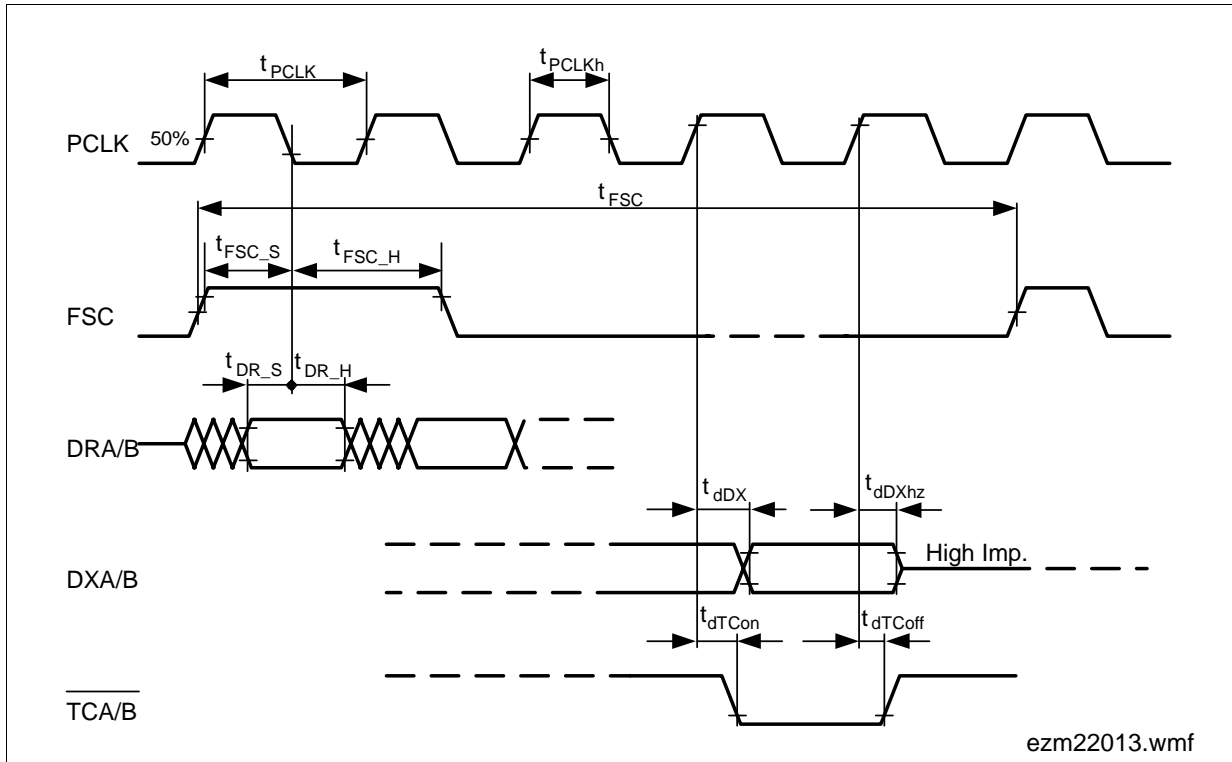


Figure 92 PCM Interface Timing - Single-Clocking Mode

Parameter	Symbol	Limit Values			Unit
		min.	typ.	max.	
Period PCLK ¹⁾	t_{PCLK}	1/8192	1/(n*64) with 2 ≤ n ≤ 128	1/128	ms
PCLK high time	t_{PCLKh}	0.4 × t_{PCLK}	0.5 × t_{PCLK}	0.6 × t_{PCLK}	μs
Period FSC ¹⁾	t_{FSC}	–	125	–	μs
FSC setup time	t_{FSC_s}	10	50	–	ns
FSC hold time	t_{FSC_h}	40	50	–	ns
DRA/B setup time	t_{DR_s}	10	50	–	ns
DRA/B hold time	t_{DR_h}	10	50	–	ns
DXA/B delay time ²⁾	t_{dDX}	25	–	$t_{dDX_{min}} +$ 0.4 × $C_{Load}[pF]$	ns

Parameter	Symbol	Limit Values			Unit
		min.	typ.	max.	
DXA/B delay time to high Z	t_{dDXhz}	25	–	50	ns
TCA/B delay time on	t_{dTCon}	25	–	$t_{dTCon_min} + 0.4 \times C_{Load}[pF]$	ns
TCA/B delay time off	t_{dTCoFF}	25	–	$t_{dTCoFF_min} + (R_{Pullup}[k\Omega] \times C_{Load}[pF])$	ns

- 1) The PCLK frequency must be an integer multiple of the FSC frequency.
- 2) All delay times are made up by two components: an intrinsic time (min-time), caused by internal processings, and a second component caused by external circuitry (C_{Load} , $R_{Pullup} > 1.5\text{ k}\Omega$)

7.7.2.2 Double-Clocking Mode

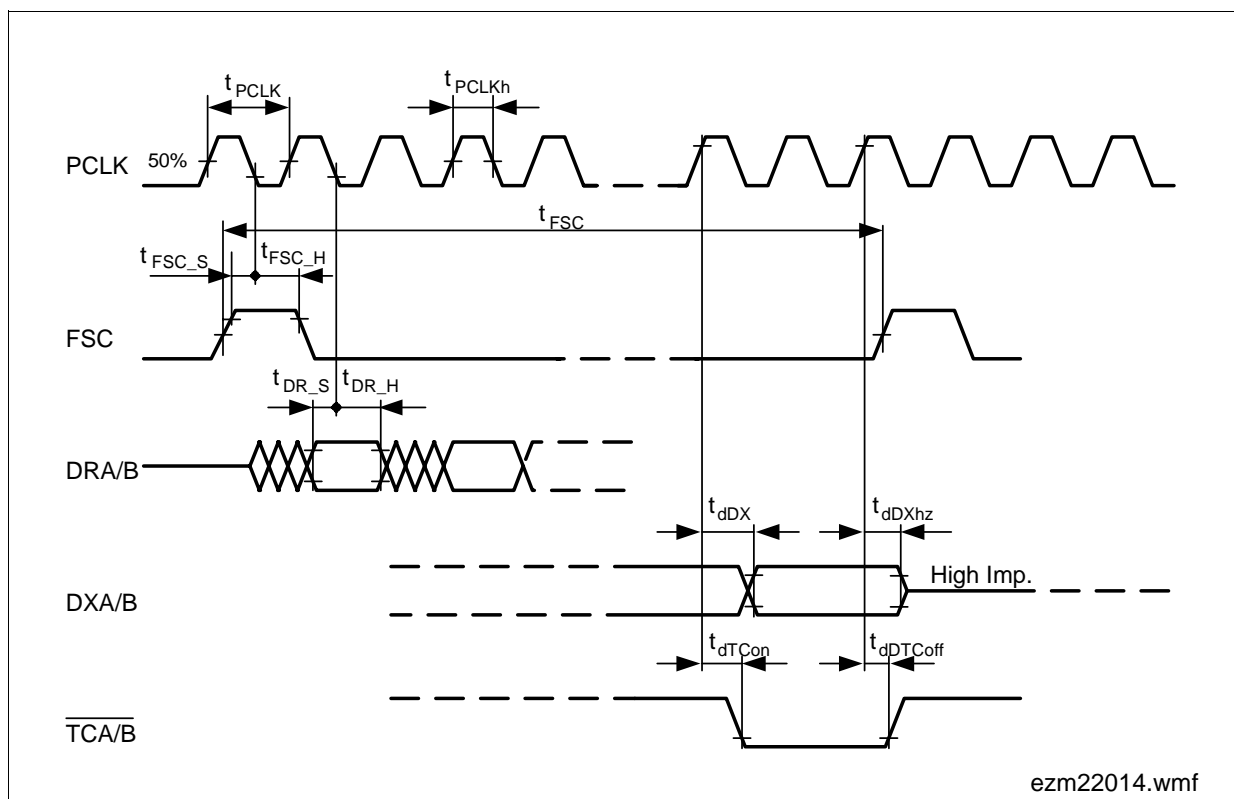


Figure 93 PCM Interface Timing – Double-Clocking Mode

Preliminary
Electrical Characteristics

Parameter	Symbol	Limit Values			Unit
		min.	typ.	max.	
Period PCLK ¹⁾	t_{PCLK}	1/8192	1/(n*64) with $2 \leq n \leq 64$	1/256	ms
PCLK high time	t_{PCLKh}	$0.4 \times t_{PCLK}$	$0.5 \times t_{PCLK}$	$0.6 \times t_{PCLK}$	μs
Period FSC ¹⁾	t_{FSC}	–	125	–	μs
FSC setup time	t_{FSC_s}	10	50	–	ns
FSC hold time	t_{FSC_h}	40	50	–	ns
DRA/B setup time	t_{DR_s}	10	50	–	ns
DRA/B hold time	t_{DR_h}	10	50	–	ns
DXA/B delay time ²⁾	t_{dDX}	25	–	$t_{dDX_min} +$ $0.4 \times C_{Load}[pF]$	ns
DXA/B delay time to high Z	t_{dDXhz}	25	–	50	ns
TCA/B delay time on	t_{dTCon}	25	–	$t_{dTCon_min} +$ $0.4 \times C_{Load}[pF]$	ns
TCA/B delay time off	t_{dTCoFF}	25	–	$t_{dTCoFF_min} +$ $(R_{Pullup}[k\Omega] \times$ $C_{Load}[pF])$	ns

¹⁾ The PCLK frequency must be an integer multiple of the FSC frequency.

²⁾ All delay times are made up by two components: an intrinsic time (min-time), caused by internal processings, and a second component caused by external circuitry (C_{Load} , $R_{Pullup} > 1.5 \text{ k}\Omega$)

7.7.3 Microcontroller Interface Timing

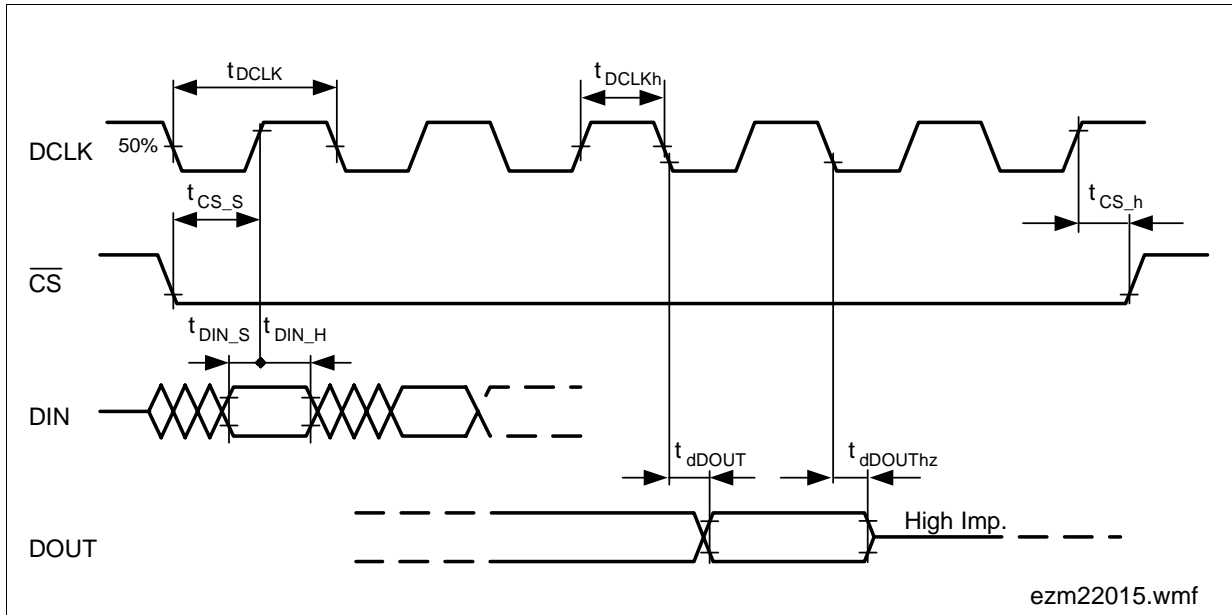


Figure 94 Microcontroller Interface Timing

Parameter	Symbol	Limit Values			Unit
		min.	typ.	max.	
Period DCLK	t_{DCLK}	1/8192	–	–	ms
DCLK high time	t_{DCLKh}	–	$0.5 \times t_{DCLK}$	–	μ s
CS setup time	t_{CS_s}	10	50	–	ns
CS hold time	t_{CS_h}	30	50	–	ns
DIN setup time	t_{DIN_s}	10	50	–	ns
DIN hold time	t_{DIN_h}	10	50	–	ns
DOUT delay time ¹⁾	t_{dDOUT}	30	–	$t_{dDOUT_min} + 0.4 \times C_{Load}[\mu$ F]	ns
DOUT delay time to high Z	$t_{dDOUThz}$	30	–	50	ns

¹⁾ All delay times are made up by two components: an intrinsic time (min-time), caused by internal processings, and a second component caused by external circuitry (C_{Load})

7.7.4 IOM-2 Interface Timing

7.7.4.1 Single-Clocking Mode

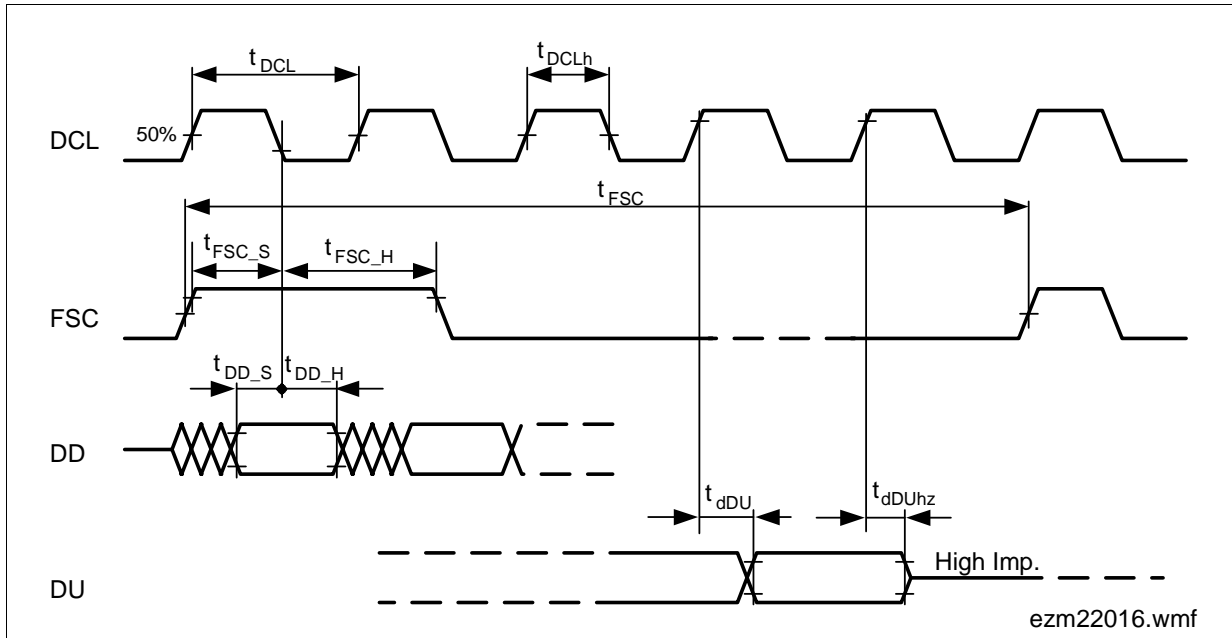


Figure 95 IOM-2 Interface Timing – Single-Clocking Mode

Parameter	Symbol	Limit Values			Unit
		min.	typ.	max.	
Period DCL ¹⁾	t_{DCL}	–	1/2048	–	ms
DCL high time	t_{DCLh}	$0.4 \times t_{DCL}$	$0.5 \times t_{DCL}$	$0.6 \times t_{DCL}$	μs
Period FSC ¹⁾	t_{FSC}	–	125	–	μs
FSC setup time	t_{FSC_s}	10	50	–	ns
FSC hold time	t_{FSC_h}	40	50	–	ns
DD setup time	t_{DD_s}	10	50	–	ns
DD hold time	t_{DD_h}	10	50	–	ns
DU delay time ²⁾	t_{dDX}	25	–	$t_{dDX_{min}} + 0.4 \times C_{Load}[pF]$	ns
DU delay time to high Z	t_{dDXhz}	25	–	50	ns

1) The DCL frequency must be an integer multiple of the FSC frequency.

2) All delay times are made up by two components: an intrinsic time (min-time), caused by internal processings, and a second component caused by external circuitry (C_{Load} , $R_{Pullup} > 1.5 \text{ k}\Omega$)

7.7.4.2 Double-Clocking Mode

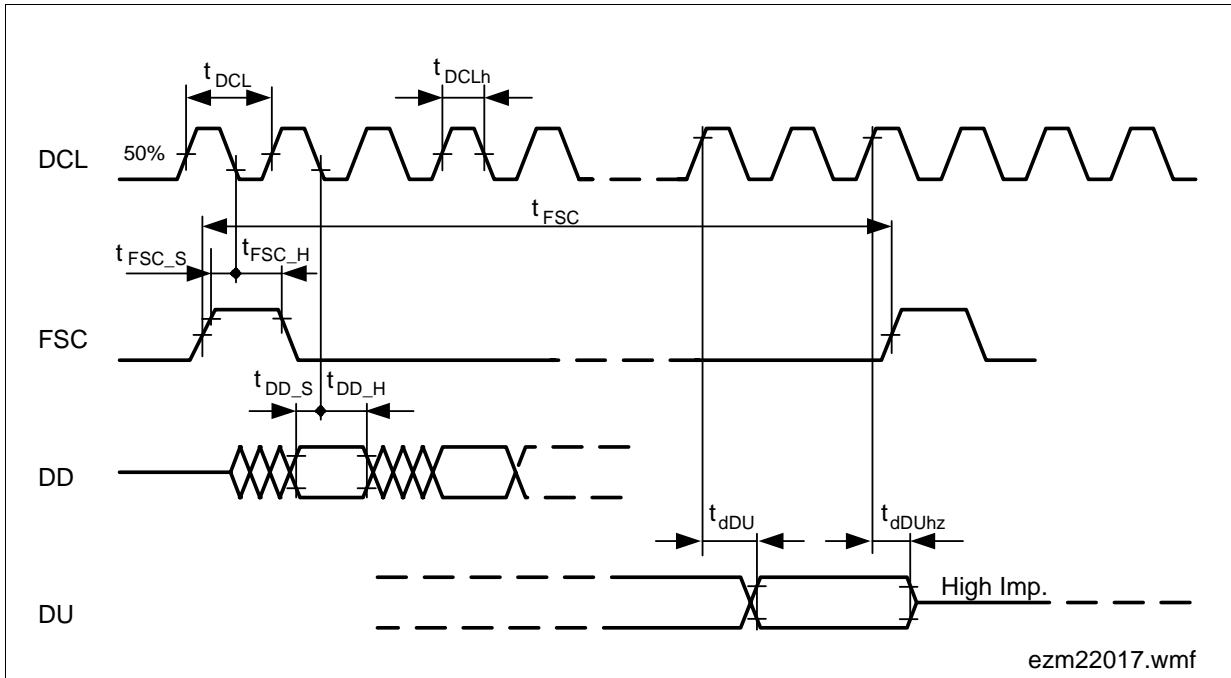


Figure 96 IOM-2 Interface Timing – Double-Clocking Mode

Parameter	Symbol	Limit Values			Unit
		min.	typ.	max.	
Period DCL ¹⁾	t_{DCL}	–	1/4096	–	ms
DCL high time	t_{DCLh}	$0.4 \times t_{DCL}$	$0.5 \times t_{DCL}$	$0.6 \times t_{DCL}$	μ s
Period FSC ¹⁾	t_{FSC}	–	125	–	μ s
FSC setup time	t_{FSC_s}	10	50	–	ns
FSC hold time	t_{FSC_h}	40	50	–	ns
DD setup time	t_{DD_s}	10	50	–	ns
DD hold time	t_{DD_h}	10	50	–	ns
DU delay time ²⁾	t_{dDX}	25	–	$t_{dDX_{min}} + 0.4 \times C_{Load}[pF]$	ns
DU delay time to high Z	t_{dDXhz}	25	–	50	ns

1) The DCL frequency must be an integer multiple of the FSC frequency.

2) All delay times are made up by two components: an intrinsic time (min-time), caused by internal processings, and a second component caused by external circuitry (C_{Load} , $R_{Pullup} > 1.5 \text{ k}\Omega$)

8 Application Circuits

Application circuits are shown for internal ringing with DuSLIC-E/-E2/-S/-P (balanced and unbalanced) and for external unbalanced ringing with DuSLIC-E/-E2/-S/-S2/-P for one line. Channel A and the SLIC have to be duplicated in the circuit diagrams to show all components for 2 channels.

8.1 Internal Ringing (Balanced/Unbalanced)

Internal balanced ringing is supported up to 85 Vrms for DuSLIC-E/-E2/-P and up to 45 Vrms for DuSLIC-S. Internal unbalanced ringing is supported for SLIC-P with ringing amplitudes up to 50 Vrms without any additional external components. Off-hook detection and ring trip detection are also fully internal in the DuSLIC chip set.

8.1.1 Circuit Diagram Internal Ringing

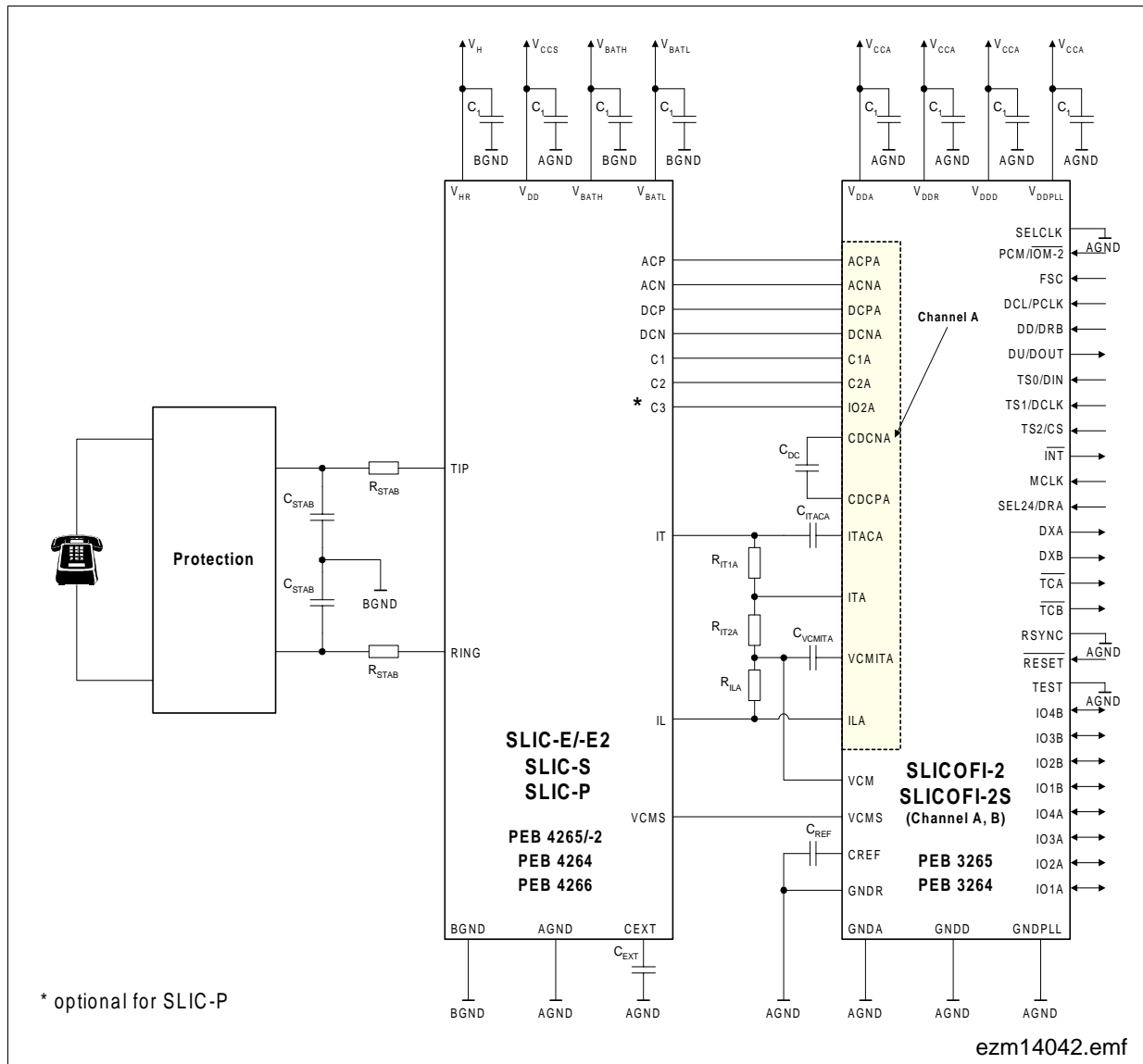


Figure 97 Application Circuit, Internal Ringing (Balanced & Unbalanced)

As shown in **Figure 97** both balanced and unbalanced internal ringing uses the same line circuit.

*Note: Only the codec/SLIC combinations shown in **Table 1 "DuSLIC Chip Sets" on Page 16** are possible.*

8.1.2 Protection Circuit for SLIC-E/-E2 and SLIC-S

A typical overvoltage protection circuit for SLIC-E/S is shown in **Figure 98**. Other proved application schemes are available on request.

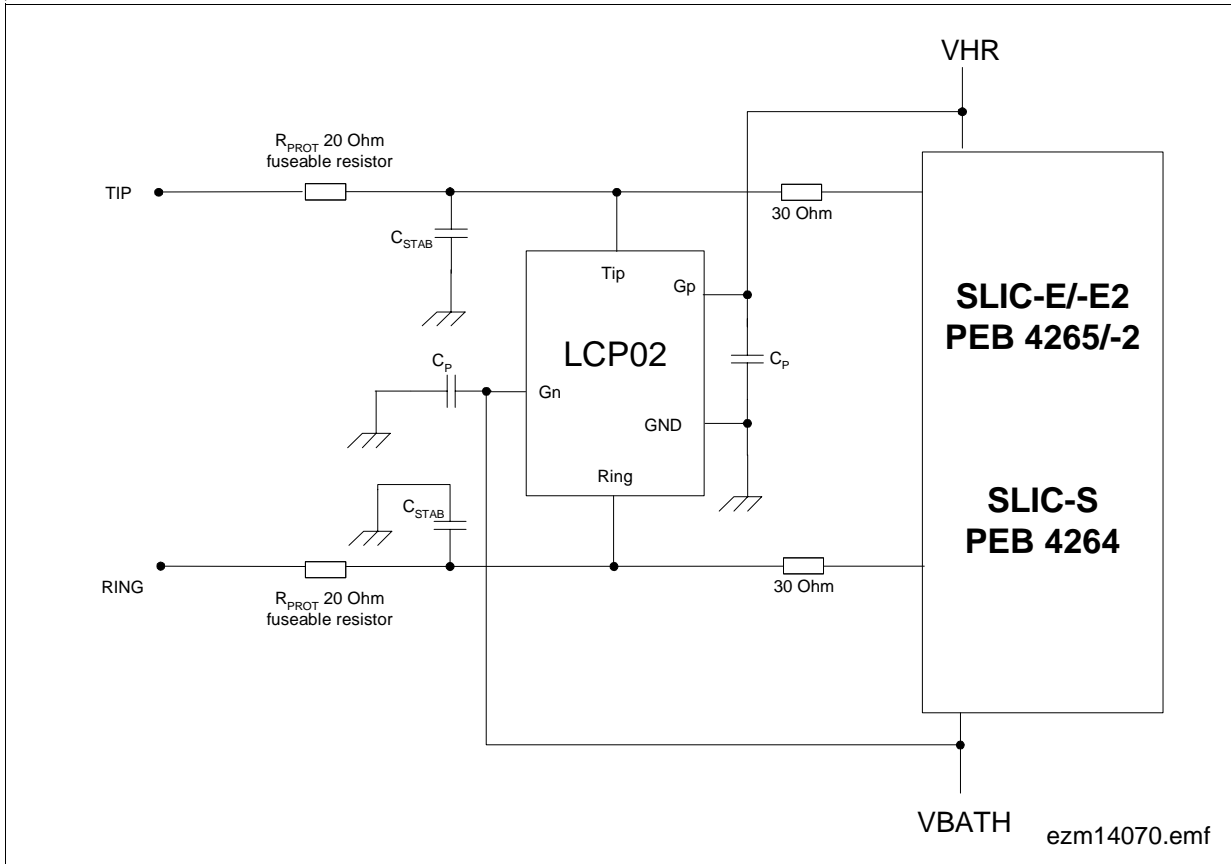


Figure 98 Typical Overvoltage Protection for SLIC-E/-E2 and SLIC-S

The LCP02 (from STM) protects against overvoltage strikes exceeding V_{HR} and V_{BATH} . Protection resistors must be rated for lightning pulses. In case of power contact, protection resistors must become high impedance or additional fuses are needed.

8.1.3 Protection Circuit for SLIC-P

A typical protection circuit for SLIC-P is shown in **Figure 99**. Other proved application schemes are available on request.

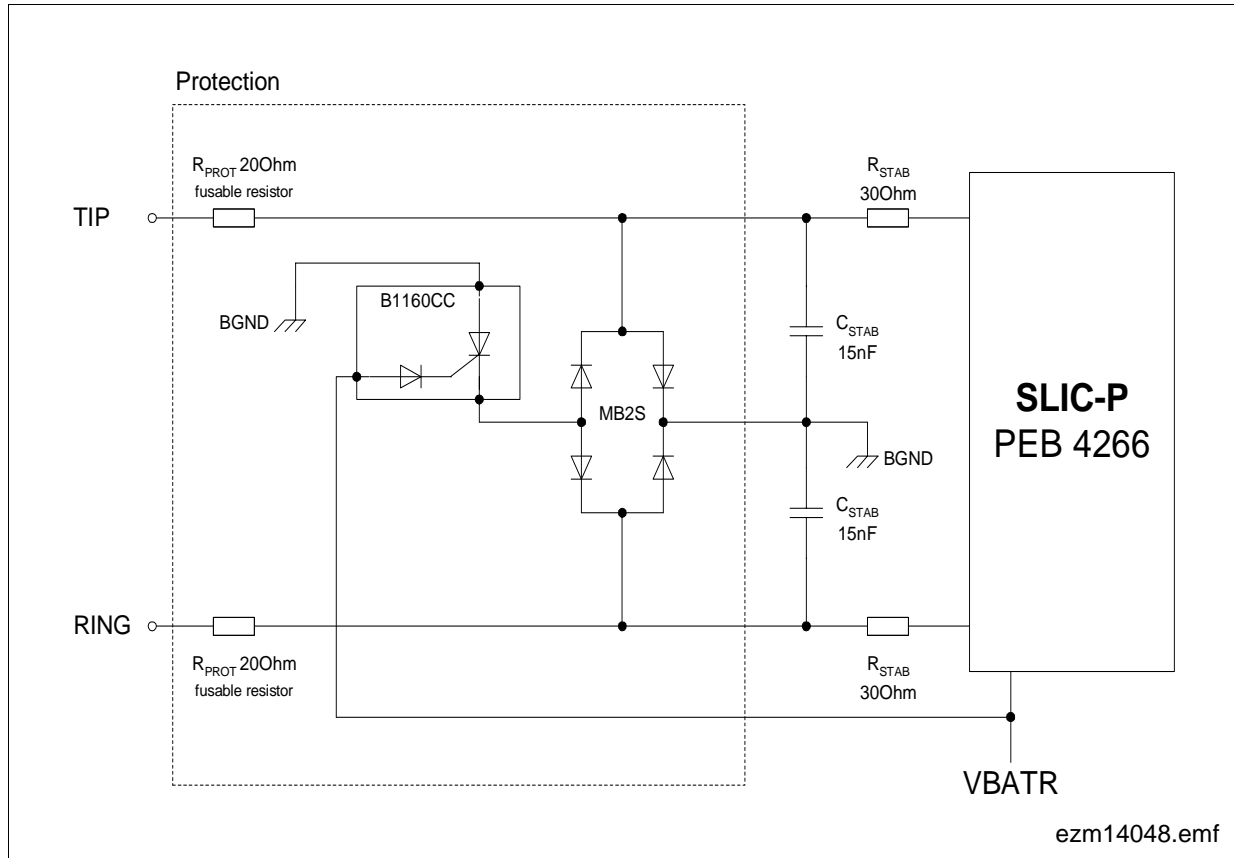


Figure 99 Typical Overvoltage Protection for SLIC-P

The gate trigger voltage of the Battrax B1160CC (Teccor) can be set down to the battery voltage of V_{BATR} (– 150 V).

Protection resistors must be rated for lightning pulses. In case of power contact, protection resistors must become high impedance or additional fuses are needed.

8.1.4 Bill of Materials (Including Protection)

Table 83 shows the external passive components needed for a dual channel solution consisting of one SLICOFI-2/-2S and two SLIC-E/-E2/-S/-P.

Table 83 External Components in Application Circuit for DuSLIC-E/-E2/-S/-P

No.	Symbol	Value	Unit	Tolerance	Rating	DuSLIC -E/-E2/-S	DuSLIC -P
2	R_{IT1}	470	Ω	1 %		x	x
2	R_{IT2}	680	Ω	1 %		x	x
2	R_{IL}	1.6	k Ω	1 %		x	x
4	R_{STAB}	30	Ω	0.1 %		x	x
4	R_{PROT}	20	Ω	0.1 %		x	x
4	C_{STAB}	15	nF	10 %	see ¹⁾	x	x
2	C_{DC}	120	nF	10 %	10 V	x	x
2	C_{ITAC}	680	nF	10 %	10 V	x	x
2	C_{VCMIT}	680	nF	10 %	10 V	x	x
1	C_{REF}	68	nF	20 %	10 V	x	x
2	C_{EXT}	470	nF	20 %	10 V	x	x
12	C_1	100	nF	10 %		x	x
2	Battrax	B1160CC	–	–	according to supply voltage V_{BATR}		x
2	Diode- bridge	MB2S					x
2	STM	LCP-02				x	
4	C_P	220	nF	20 %	according to supply voltage V_{BATH} and V_{HR}	x	

¹⁾ according to the highest used battery voltage $|V_{BATR}|$ for SLIC-P and $|V_{HR}|$ or $|V_{BATH}|$ for SLIC-E/-E2/-S

For handling higher electromagnetic compatibility (EMC) requirements, additional effort in the circuit design may be necessary, e.g., a current-compensated choke of 470 μ H in the Ring/Tip lines.

Additionally to the capacitors C_1 a 22 μ F capacitor per 8 Ring/Tip lines is recommended for buffering the supply voltages.

8.2 External Unbalanced Ringing with DuSLIC-E/-E2/-S/-S2/-P

External unbalanced ringing applications are shown for a standard solution (see [Figure 100](#)) and for a solution dedicated to higher loop lengths (see [Figure 101](#)).

Note: Only the codec/SLIC combinations shown in [Table 1 "DuSLIC Chip Sets"](#) on [Page 16](#) are possible.

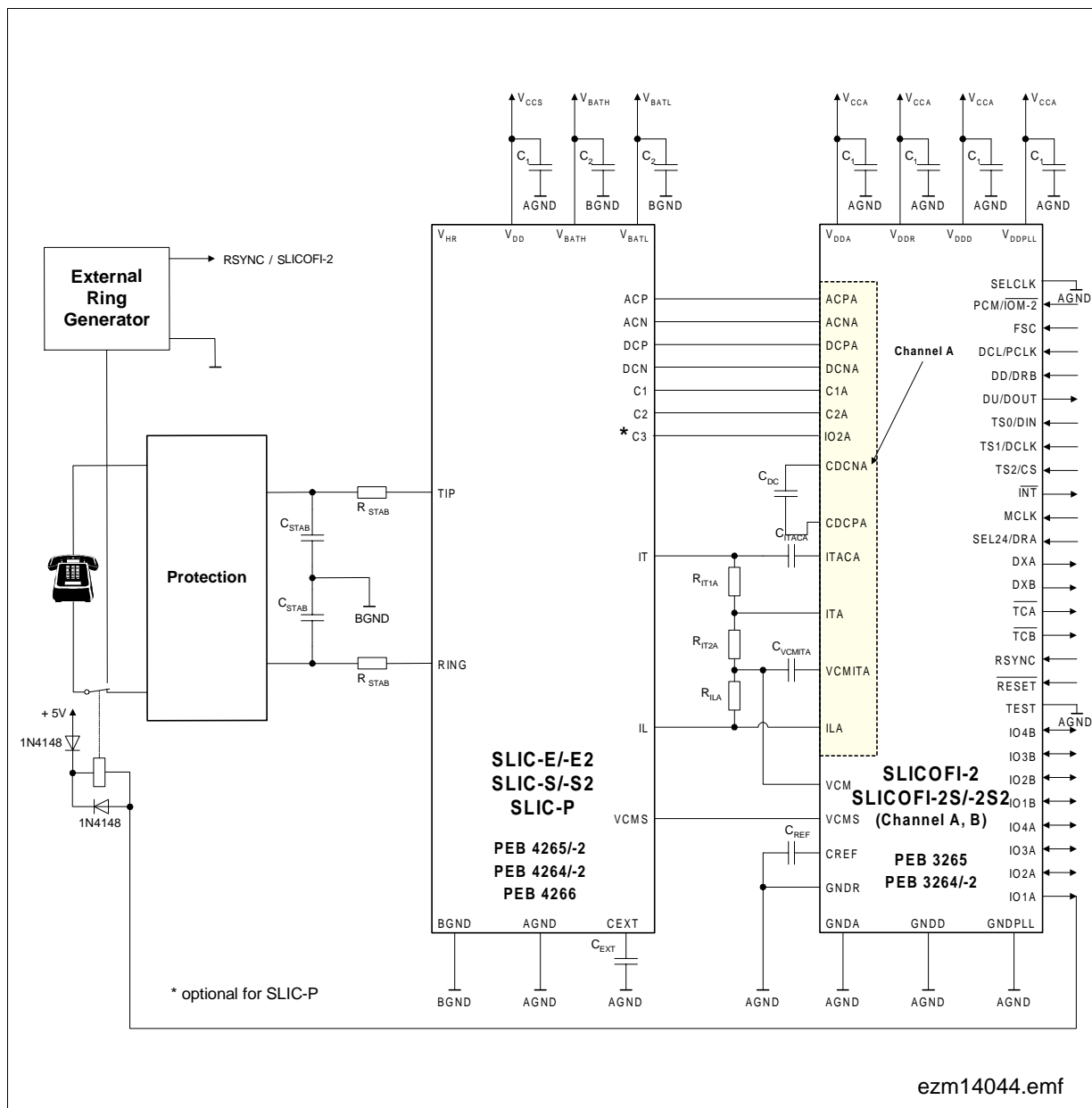


Figure 100 Application Circuit, External Unbalanced Ringing

This circuit senses the ring current on only one line (Tip line). It is therefore restricted to applications with low longitudinal influence (short lines).

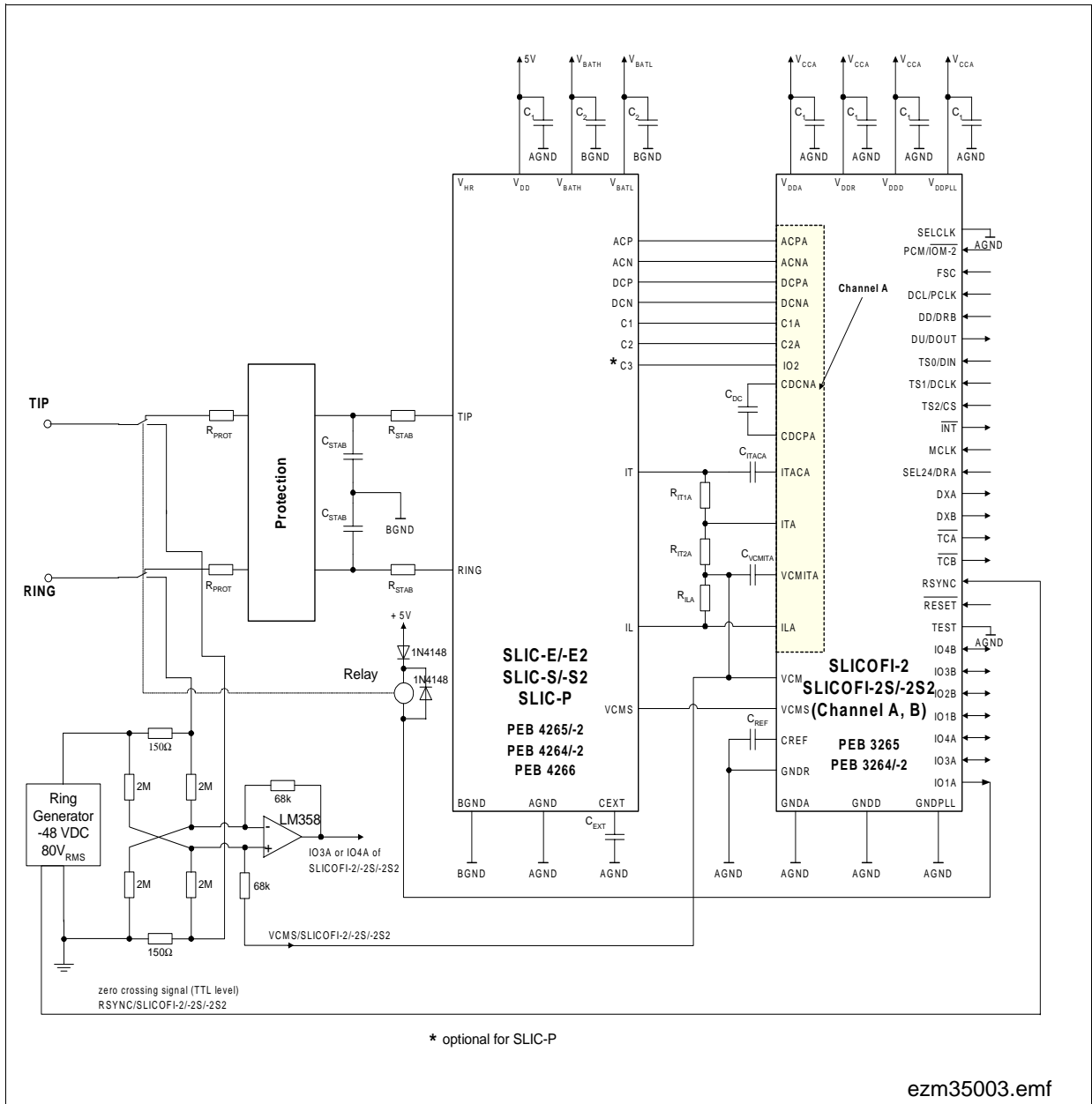


Figure 101 Application Circuit, External Unbalanced Ringing for Long Loops

For handling higher electromagnetic compatibility (EMC) requirements, additional effort in the circuit design may be necessary, e.g., a current-compensated choke of 470 μ H in the Ring/Tip lines.

This circuit senses the ring current in both Tip and Ring lines. Longitudinal influence is cancelled out. This circuit therefore is recommended for long line applications.

8.3 DuSLIC Layout Recommendation

- For each of the supply pins of *SLICOFI-2x* and SLIC, 100 nF capacitors should be used. These capacitors should be placed as close as possible to the supply pin of the associated ground/supply pins
- *SLICOFI-2x* and SLIC should be placed as close to each other as possible.
- *SLICOFI-2x* and SLIC should be placed in such way that lines ACP, ACN, DCP, DCN, IT, ITAC are as short as possible
- ACP/ACN lines should be placed parallel and symmetrical;
via holes should be avoided
ACP/ACN lines should be run above a GND plane;
- DCP/DCN lines should be placed parallel and symmetrical;
via holes should be avoided
DCP/DCN lines should be run above a GND plane
- VCMITA and VCM should be connected directly (VCMITA via C_{VCMITA}) at resistor R_{IT2A} (680 Ω)
- VCMITB and VCM should be connected directly (VCMITB via C_{VCMITB}) at resistor R_{IT2B} (680 Ω)
- Use separate traces for connecting VCM/VCMITA and VCM/VCMITB
these two VCM traces should be connected directly at the VCM pin of *SLICOFI-2x*
- In case of a multilayer board it is recommended to use one common ground layer (AGND, BGND, GNDD, GNDA, GNDB, GNDPLL connected together and share one ground layer)
- In case of a two-layer board a common ground should be used for AGND, BGND, GNDD, GNDA, GNDB and GNDPLL. Ground traces should be layed out as large as possible. Connections to and from groud pins should be as short as possible. Any unused area of the board should be filled with ground (copper pouring)
- The connection of GND, V_H and V_{BAT} to the protection devices should be low-impedance in order to avoid, e.g., a GND shift due to the high impulse currents in case of an overvoltage strike.
- Tip/ring traces from the SLIC should be symmetrical

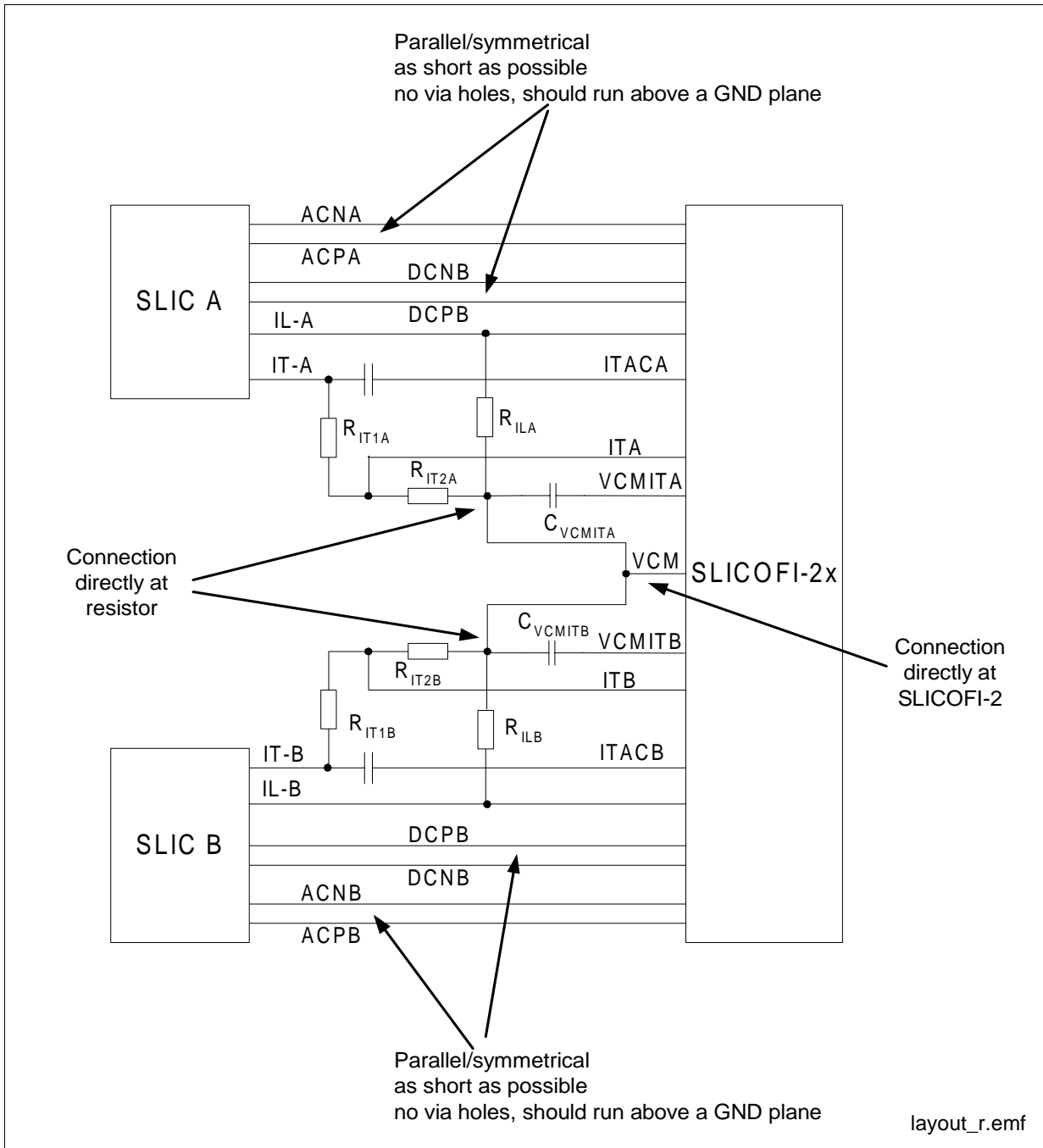


Figure 102 DuSLIC Layout Recommendation

9 Package Outlines

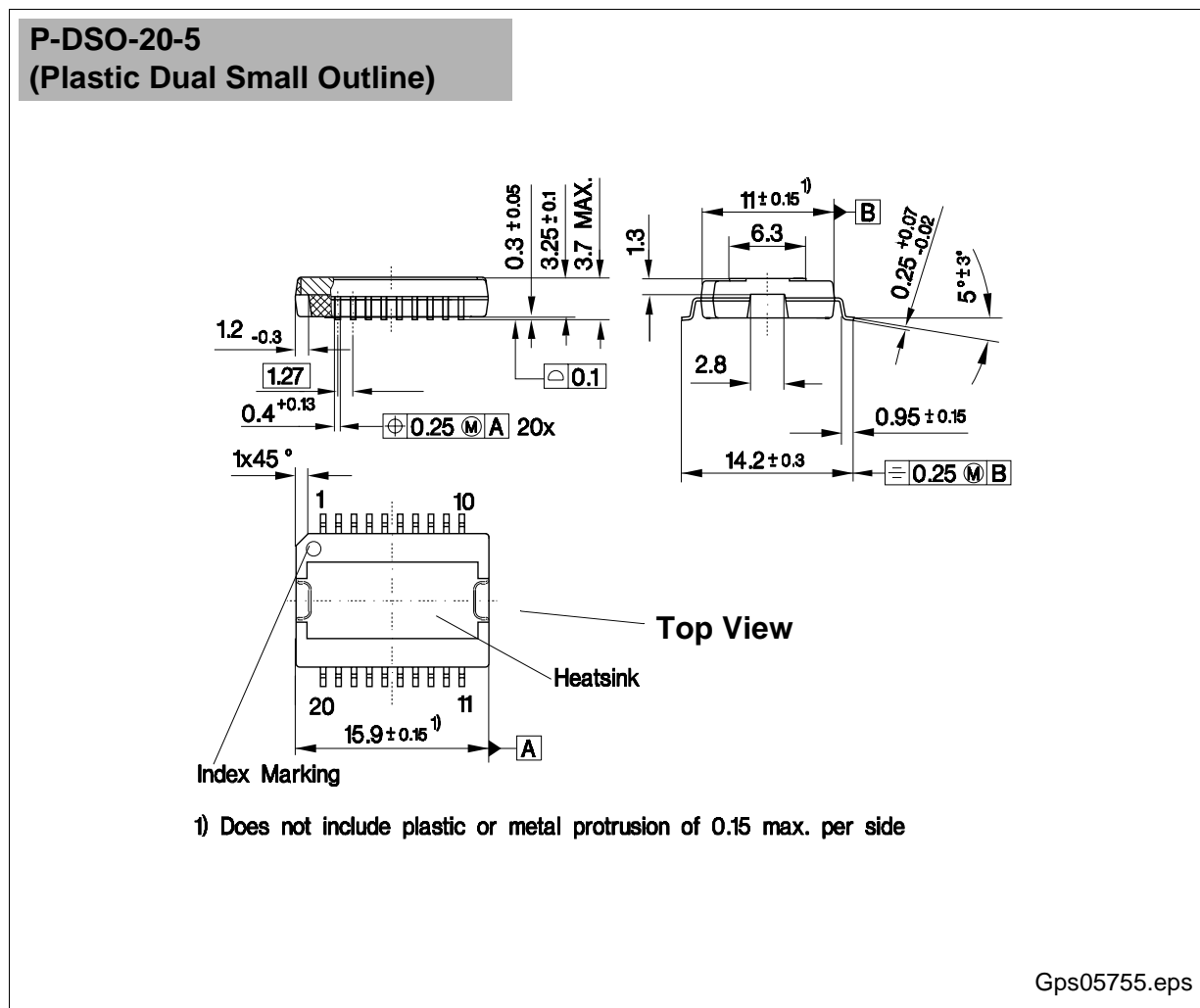


Figure 103 PEB426x (SLIC-S/-S2, SLIC-E/-E2, SLIC-P)

Note: The SLIC is only available in a P-DSO-20-5 package with heatsink on top. Please note that the pin counting for the P-DSO-20-5 package is clockwise (top view) in contrast to similar type packages which mostly count counterclockwise.

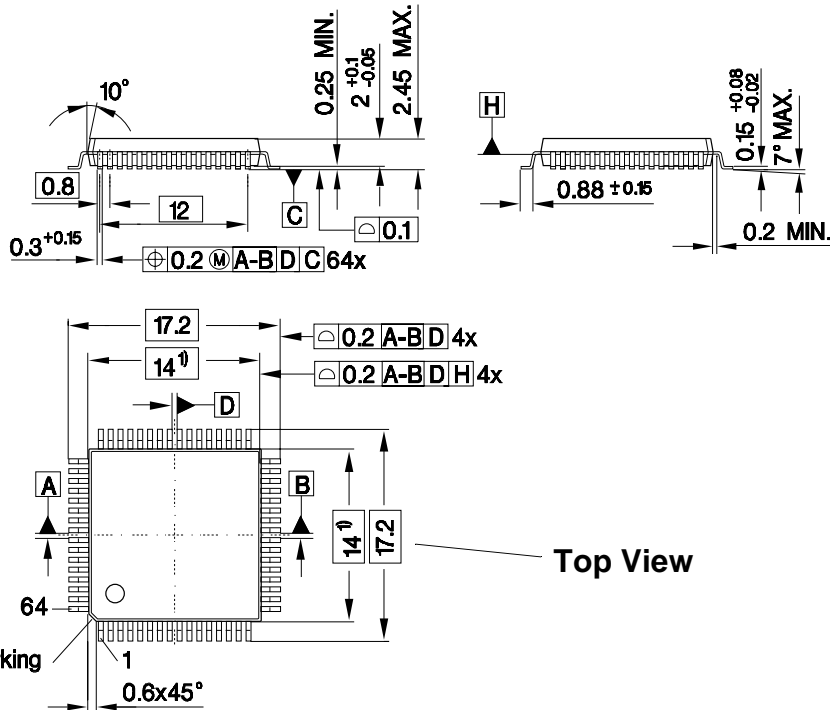
Sorts of Packing

Package outlines for tubes, trays etc. are contained in our data book "Package Information".

SMD = Surface Mounted Device

Dimensions in mm

P-MQFP-64-1
(Plastic Metric Quad Flat Package)



1) Does not include plastic or metal protrusion of 0.25 max. per side

Gpm05250.eps

Figure 104 PEB 3264, PEB 3264-2, PEB 3265 (SLICOFI-2x)

Sorts of Packing

Package outlines for tubes, trays etc. are contained in our data book "Package Information".

SMD = Surface Mounted Device

Dimensions in mm

10 Glossary

10.1 List of Abbreviations

ACTL	Active with V_{BATL} and V_{BGND}
ACTH	Active with V_{BATH} and V_{BGND}
ACTR	Active with V_{BATR} and V_{GND} or V_{HR} and V_{BATH}
ADC	Analog Digital Converter
AR	Attenuation Receive
AX	Attenuation Transmit
BP	Band Pass
CMP	Compander
Codec	Coder Decoder
COP	Coefficient Operation
CRAM	Coefficient RAM
DAC	Digital Analog Converter
DSP	Digital Signal Processor
DUP	Data Upstream Persistence Counter
DuSLIC	Dual Channel Subscriber Line Interface Concept
EXP	Expander
FRR	Frequency Response Receive Filter
FRX	Frequency Response Transmit Filter
LSSGR	Local area transport access Switching System Generic Requirements
PCM	Pulse Code Modulation
PDH	Power Down High Impedance

Preliminary
Glossary

PDRHL	Power Down Load Resistive on V_{BATH} and V_{BGND}
PDRRL	Power Down Load Resistive on V_{BATR} and V_{BGND}
PDRH	Power Down Resistive on V_{BATH} and V_{BGND}
PDRR	Power Down Resistive on V_{BATR} and V_{BGN}
POFI	Post Filter
PREFI	Antialiasing Pre Filter
RECT	Rectifier (Testloops, Levelmetering)
SLIC	Subscriber Line Interface Circuit (synonym for all versions)
SLIC-S/-S2	Subscriber Line Interface Circuit Standard Feature Set PEB 4264/-2
SLIC-E/-E2	Subscriber Line Interface Circuit Enhanced Feature Set PEB 4265/-2
SLIC-P	Subscriber Line Interface Circuit Enhanced Power Management PEB 4266
<i>SLICOFI-2x</i>	Dual Channel Signal Processing Subscriber Line Interface Codec Filter (synonym for all versions)
SLICOFI-2	Dual Channel Signal Processing Subscriber Line Interface Codec Filter PEB 3265
SLICOFI-2S/-2S2	Dual Channel Signal Processing Subscriber Line Interface Codec Filter PEB 3264/-2
SOP	Status Operation
TG	Tone Generator
TH	Transhybrid Balancing
THFIX	Transhybrid Balancing Filter (fixed)
TS	Time Slot
TTX	Teletax

11 Index

Numerics

170V technology 52

A

Active 93, 157, 160, 161
 Active High 78, 80, 82, 84, 86
 Active Low 78, 80, 82, 84, 86
 Active Ring 78, 80, 82, 84, 87, 154, 157, 160
 Active State 59, 95
 Active with HIR 78, 81, 83, 85, 87
 Active with HIT 78, 80, 83, 85, 87
 Active with Metering 78, 81, 164, 262, 312

B

Balanced ringing 53, 367
 Battery feed 33

C

Caller ID 19, 34, 66, 71, 180
 Central Office 22
 Coding 33
 Constant Current Zone 42
 Constant Voltage Zone 44
 COP-command 164, 165, 224, 308
 CRAM coefficients 226, 310

D

DC characteristic 45
 Digital Loop Carrier 22
 DTMF 34, 71, 178, 198, 200, 228, 294
 DTMF decoder 19, 34
 DTMF generator 19, 34, 63
 DuSLICOS 33, 224, 308

E

Enhanced Digital Signal Processor 63, 174, 180
 MIPS Requirements 71

POP Commands 228
 Power Dissipation 340
 External Components
 DuSLIC-P 371
 External conference 75
 External Ringing 31, 55, 107, 192, 289

F

Fiber in the Loop 22
 First Command Byte 163, 264, 265, 314, 315
 Frequency response 33, 345
 FSK 34

G

Ground Key 60, 175, 275
 Ground Start 81

H

Hybrid 33
 Hybrid balance 33

I

Impedance matching 33, 51
 Intelligent NT 22
 Internal conference 75
 IOM-2 interface 29, 138, 145, 262, 265, 312, 315
 ISDN Terminal Adapters 22

L

Layout Recommendation 374
 Levelmeter
 AC 117
 DC 112
 TTX 121
 LIN mode 77
 LIN16 mode 77
 Line Echo Cancellation 34, 69, 71, 199
 POP Commands 239
 Line Resistance 102, 125
 Line Testing 107

Preliminary
Index
M

Message waiting 19, 72
 Metering 19, 61, 202, 204, 206, 296, 297
 Microcontroller interface 138, 143
 Monitor Channel Operation 148
 Monitor Receiver 151
 Monitor Transfer Protocol 148
 Monitor Transmitter 150

O

Operating Modes
 CIDD byte SLICOFI-2 262
 CIDD byte SLICOFI-2S/-2S2 312
 CIOP byte 164
 DuSLIC 78
 DuSLIC-E/-E2 84
 DuSLIC-P 86
 DuSLIC-S/-S2 82
 Power Management 93
 SLIC-E 156
 SLIC-P 159
 SLIC-S 153
 Overvoltage protection 33

P

PCM channel 142
 PCM interface 30, 50, 138, 173, 176, 273, 276, 361
 PCM mode 76, 92, 210, 214, 298, 300
 PCM/ μ C interface 76, 138, 194, 291
 PCM16 mode 77
 PCM-active 75
 PCM-off 75
 Polarity Reversal 19, 62
 POP command 165, 228
 Power Dissipation
 Operating Modes 93
 SLIC 95
 SLIC output stage 46
 SLIC-E/-E2 326
 SLICOFI-2 94, 340
 SLICOFI-2/-2S2 341

SLIC-P 333

SLIC-S/-S2 320

Power Down 93, 164, 190, 262, 312
 Power Down High Impedance 78, 80, 156, 159, 160, 164, 193, 262, 290, 312
 Power Down Resistive 78, 80, 82, 84, 86, 153, 156, 159, 160
 Power Down state 60, 75, 95, 154, 160, 161, 218, 220, 302, 304
 Power Management 17, 19, 80, 93
 Private Branch Exchange 22

R

Ramp generator 72, 83, 85, 87
 Read command 143
 Receive gain 33
 Receive path 50, 199, 218, 220, 222, 302, 304, 306
 Register Description Example 165
 Reset 88, 164
 Status 177, 277
 Resistive Zone 43
 Ring on Ring 80, 160
 Ring on Tip 80, 160
 Ring Pause 79, 81, 83, 85, 87
 Ring Trip 52, 81, 358
 Ringer Equivalence Number 52
 Ringing 33, 52, 78, 80, 82, 85, 87, 94, 160, 164, 262, 312

S

Second Command Byte 143, 165, 264, 265, 314, 315
 Signaling 33, 59, 65, 265, 315
 Sleep 78, 79, 84, 86, 164, 262, 312, 340
 SLIC Interface 153, 156
 Soft reversal 62, 192, 289
 SOP-command 164, 167, 267
 Supervision 33, 59

T

Teletax Metering 34

Test Loops 132
Three-party Conferencing 74, 194
Time Slot Assignment 50, 147
TIP/RING interface 138, 152
Transmit gain 33, 346
Transmit path 50, 199, 218, 220, 222,
302, 304, 306
TTX 33, 61, 81, 192, 220, 225, 304, 309

U

Unbalanced ringing 53, 94, 190, 287
Universal Tone Detection 34, 70, 71, 179,
193
 POP Commands 253
Universal Tone detection 198

V

Voice over IP 22
Voltage reserve 41, 47

W

Wireless Local Loop 22
Write command 143

Infineon goes for Business Excellence

“Business excellence means intelligent approaches and clearly defined processes, which are both constantly under review and ultimately lead to good operating results.

Better operating results and business excellence mean less idleness and wastefulness for all of us, more professional success, more accurate information, a better overview and, thereby, less frustration and more satisfaction.”

Dr. Ulrich Schumacher

<http://www.infineon.com>