



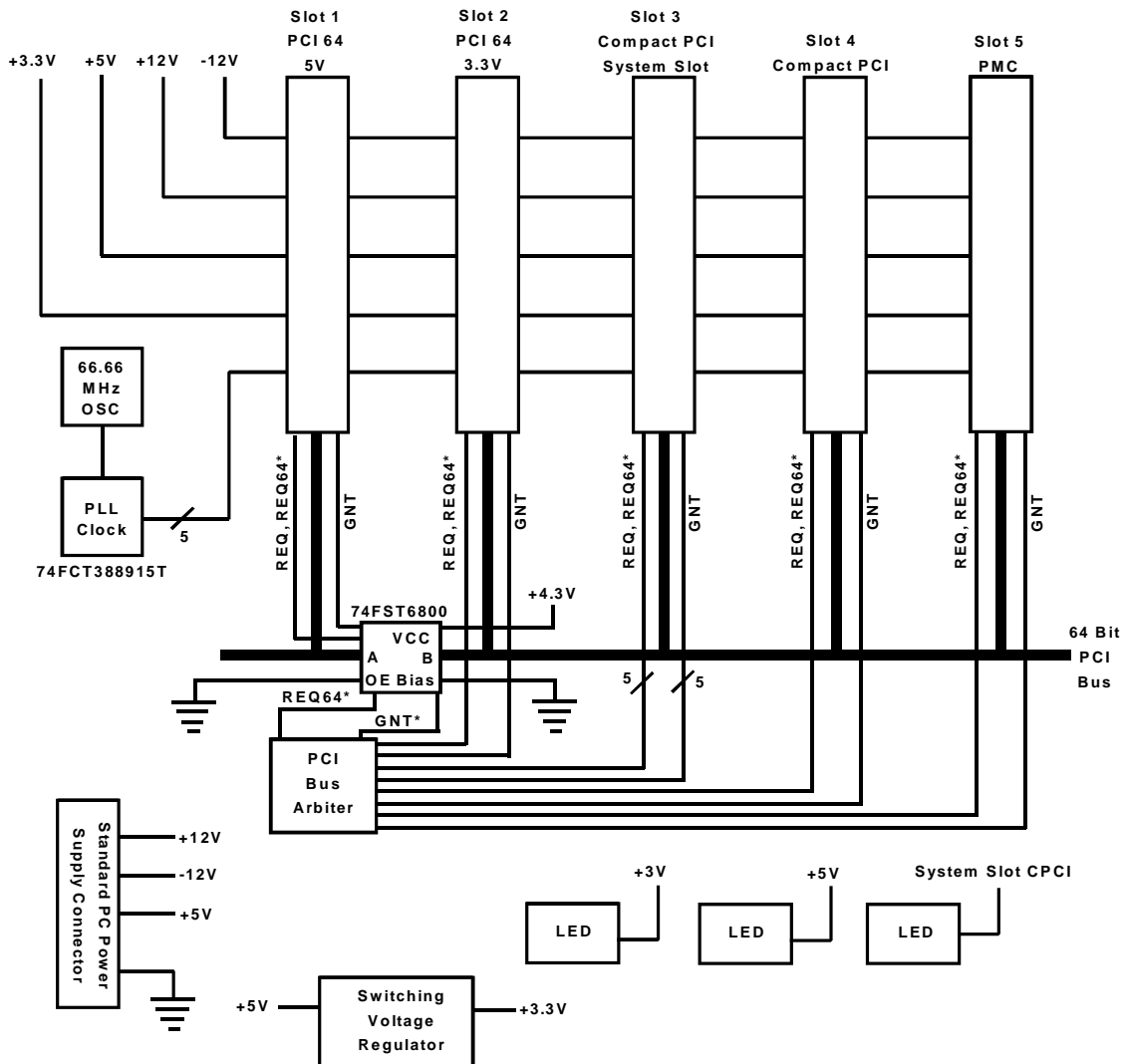
IDT 64-BIT PCI PASSIVE BACKPLANE

ADVANCE INFORMATION IDT7M9564

FEATURES:

- Five 64-bit PCI slots including:
 - Two PCI card edge slots (Slot 1: 5V; Slot 2: 3.3V)
 - Two compact PCI slots (Slot 3: System/Peripheral; Slot 4: Peripheral)
 - One PCI mezzanine card (PMC) slot (Slot 5 with 64-Bits of user I/O)
- Any PCI slot can act as a master
- Pushbutton reset
- Uses standard PC power supply connectors
- 5 Volt to 3.3 volt switching regulator supports 3.3V PCI devices
- In system programmable PCI bus arbiter
- On-board jumper allows use of system card in Slot 3. System slot provides clocks, arbitration and reset signals.
- 33 MHz or 66 MHz PCI Clock Supported

BLOCK DIAGRAM



APRIL 1999