

# 32-Tap MiniPot™ Digitally Programmable Potentiometers with 2-Wire Interface



## FEATURES

- 0.3µA Ultra-low standby current
- Single-supply operation: 2.7V to 5.5V
- Glitchless switching between resistor taps
- Power-on reset to midscale
- 2-Wire up/down serial interface
- Resistance values: 10kΩ, 50kΩ and 100kΩ
- All devices available in SOT-23 package
- CAT5110, CAT5118, CAT5119 also available in SC70

## APPLICATIONS

- LCD screen adjustment
- Volume control
- Mechanical potentiometer replacement
- Gain adjustment
- Line impedance matching

For Ordering Information details, see page 11.

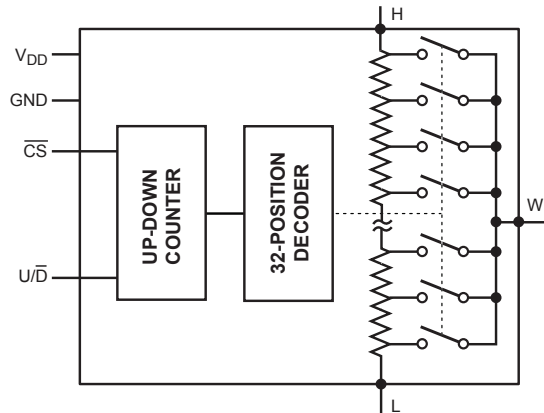
## DESCRIPTION

CAT5110/5118/5119/5123/5124/5125 linear-taper digitally programmable potentiometers perform the same function as a mechanical potentiometer or a variable resistor. These devices consist of a fixed resistor and a wiper contact with 32-tap points that are digitally controlled through a 2-wire up/down serial interface.

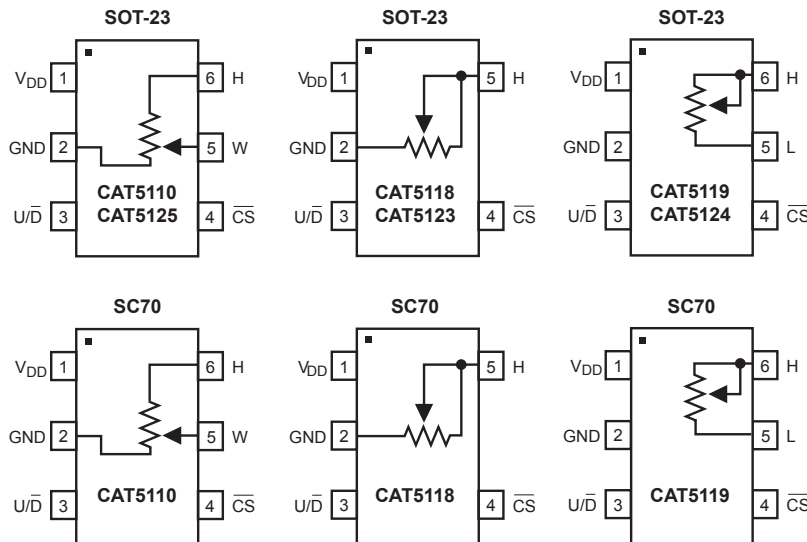
The CAT5110 and CAT5125 are configured as potentiometers. The CAT5118/19/23/24 are configured as variable resistors.

Three resistance values are available: 10kΩ, 50kΩ and 100kΩ. All devices are available in space-saving 5-pin and 6-pin SOT-23 packages. The CAT5110/5118/5119 are also available in the SC70 package.

## FUNCTIONAL DIAGRAM



## PIN CONFIGURATION



**PIN DESCRIPTIONS**

| Pin Number          |                     |                     | Pin Name          | Description  |
|---------------------|---------------------|---------------------|-------------------|--|
| CAT5110/<br>CAT5125 | CAT5118/<br>CAT5123 | CAT5119/<br>CAT5124 |                   |  |
| 1                   | 1                   | 1                   | V <sub>DD</sub>   | Power Supply   |
| 2                   | 2                   | 2                   | GND               | Ground   |
| 3                   | 3                   | 3                   | U/ $\overline{D}$ | Up/ $\overline{Down}$ Control Input. With $\overline{CS}$ low, a low-to-high transition increments or decrements the wiper position.                               |
| 4                   | 4                   | 4                   | $\overline{CS}$   | Chip Select Input. A high-to-low $\overline{CS}$ transition determines the mode: increment if U/ $\overline{D}$ is high, or decrement if U/ $\overline{D}$ is low. |
| -                   | -                   | 5                   | L                 | Low Terminal of Resistor   |
| 5                   | -                   | -                   | W                 | Wiper Terminal of Resistor   |
| 6                   | 6                   | 6                   | H                 | High Terminal of Resistor  |

**ABSOLUTE MAXIMUM RATINGS<sup>(1)</sup>**

|   |                                   |
|---|-----------------------------------|
| V <sub>DD</sub> to GND                                | -0.3V to +6V                      |
| All Other Pins to GND                                 | -0.3V to (V <sub>DD</sub> + 0.3)V |
| Input and Output Latch-Up Immunity                    | ±200mA                            |
| Maximum Continuous Current into H, L and W            |                                   |
| 100kΩ   | ±0.6mA                            |
| 50kΩ  | ±1.3mA                            |
| 10kΩ  | ±1.3mA                            |
| Continuous Power Dissipation (T <sub>A</sub> = +70°C) |                                   |
| 5-pin SC70*   | 247mW                             |
| 6-pin SC70*   | 245mW                             |
| Operating Temperature Range                           | -40°C to +85°C                    |
| Junction Temperature                                  | +150°C                            |
| Storage Temperature Range                             | -65°C to +150°C                   |
| Soldering Temperature (soldering, 10s)                | +300°C                            |

**Notes:**

(1) Stresses above those listed under "Absolute Maximum Ratings" may cause permanent damage to the device. These are stress ratings only, and functional operation of the device at these or any other conditions outside of those listed in the operational sections of this specification is not implied. Exposure to any absolute maximum rating for extended periods may affect device performance and reliability.

(\*) Derate 3.1mW/°C above T<sub>A</sub> = +70°C

**ELECTRICAL CHARACTERISTICS**

$V_{DD} = 2.7V$  to  $5.5V$ ,  $V_H = V_{DD}$ ,  $V_L = 0$ ,  $T_A = -40^{\circ}C$  to  $85^{\circ}C$ . Typical values are at  $V_{DD} = 2.7V$ ,  $T_A = 25^{\circ}C$ , unless otherwise noted.

| Parameter                                    | Symbol       | Conditions  | Min                 | Typ  | Max                 | Units  |
|--|--------------|---|---------------------|------|---------------------|--------|
| <b>DC Performance</b>                        |              |   |                     |      |                     |        |
| Resolution                                   |              |   | 32                  |      |                     | Taps   |
| End-to-End Resistance (-00)                  |              |   | 80                  | 100  | 120                 | kΩ     |
| End-to-End Resistance (-50)                  |              |   | 40                  | 50   | 60                  |        |
| End-to-End Resistance (-10)                  |              |   | 8                   | 10   | 12                  |        |
| End-to-End Resistance Tempco                 | $TC_R$       |   |                     | 200  |                     | ppm/°C |
| Ratiometric Resistance Tempco                |              |   |                     | 5    |                     | ppm/°C |
| Integral Nonlinearity                        | INL          |   |                     | ±0.5 | ±1                  | LSB    |
| Differential Nonlinearity                    | DNL          |   |                     |      | ±1                  | LSB    |
| Full-Scale Error                             |              |   |                     | ±0.1 |                     | LSB    |
| Zero-Scale Error                             |              |   |                     |      | 1                   | LSB    |
| Wiper Resistance                             | $R_W$        | CAT5110/18/19                                       |                     | 200  | 600                 | Ω      |
|  |              | CAT5123/24/25                                       |                     | 80   | 200                 |        |
| <b>Digital Inputs</b>                        |              |   |                     |      |                     |        |
| Input High Voltage                           | $V_{IH}$     |   | $0.7 \times V_{DD}$ |      |                     | V      |
| Input Low Voltage                            | $V_{IL}$     |   |                     |      | $0.3 \times V_{DD}$ | V      |
| <b>Timing Characteristics (Figures 1, 2)</b> |              |   |                     |      |                     |        |
| $U/\bar{D}$ Mode to CS Setup                 | $t_{CU}$     |   | 25                  |      |                     | ns     |
| CS to $U/\bar{D}$ Step Setup                 | $t_{CI}$     |   | 50                  |      |                     | ns     |
| CS to $U/\bar{D}$ Step Hold                  | $t_{CH}$     |   | 25                  |      |                     | ns     |
| $U/\bar{D}$ Step Low Period                  | $t_{LL}$     |   | 25                  |      |                     | ns     |
| $U/\bar{D}$ Step High Period                 | $t_{HL}$     |   | 25                  |      |                     | ns     |
| Up/Down Toggle Rate <sup>(1)</sup>           | $f_{TOGGLE}$ |   |                     | 1    |                     | MHz    |
| Output Settling Time <sup>(2)</sup>          | $t_{SETTLE}$ | 100kΩ variable resistor configuration, $C_L = 10pF$ |                     | 1    |                     | μs     |
|  |              | 100kΩ potentiometer configuration, $C_L = 10pF$     |                     | 0.25 |                     |        |
| <b>Power Supply</b>                          |              |   |                     |      |                     |        |
| Supply Voltage                               | $V_{DD}$     |   | 2.7                 |      | 5.5                 | V      |
| Active Supply Current <sup>(3)</sup>         | $I_{DD}$     |   |                     |      | 25                  | μA     |
| Standby Supply Current <sup>(4)</sup>        | $I_{SB}$     | $V_{DD} = +5V$                                      |                     | 0.3  | 1                   | μA     |

**Notes:**

(1) Up/Down Toggle Rate:  $f_{TOGGLE} = \frac{1}{t_{SETTLE}}$

(2) Typical settling times are dependent on end-to-end resistance.

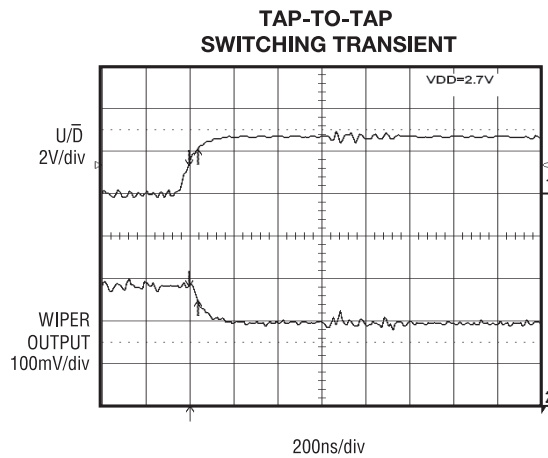
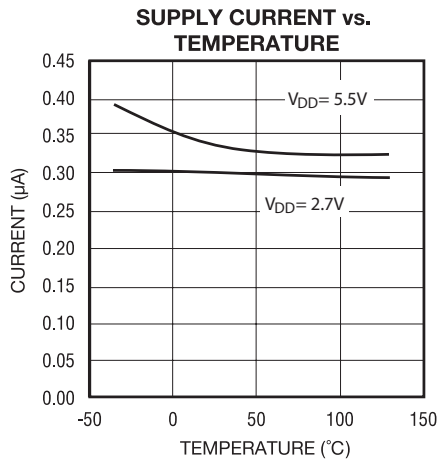
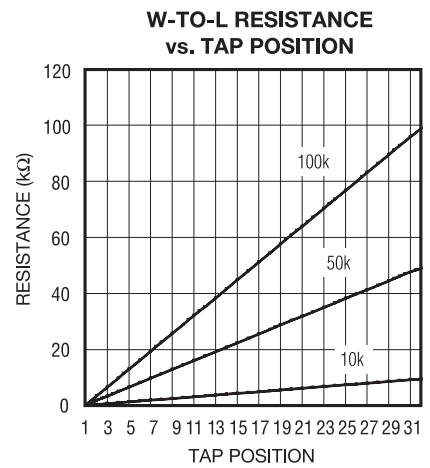
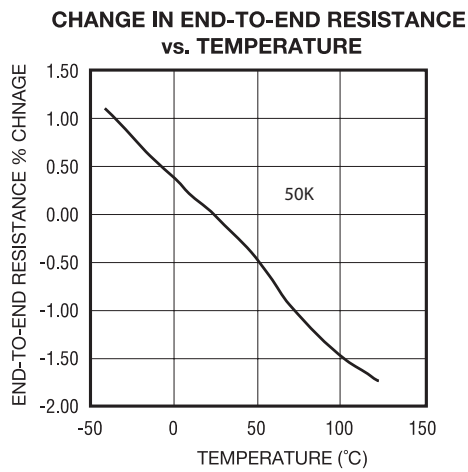
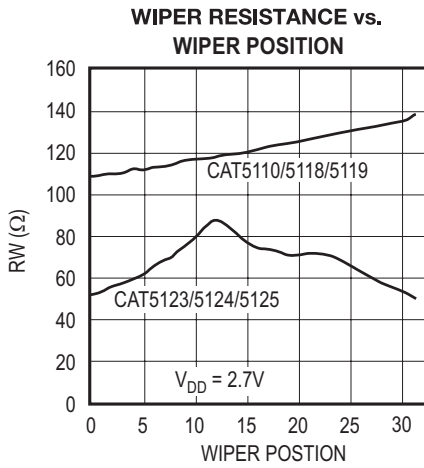
(3) Supply current measured while changing wiper tap,  $f_{TOGGLE} = 1MHz$ .

(4) Supply current measured while wiper position is fixed.

**CAT5110, CAT5118, CAT5119, CAT5123, CAT5124, CAT5125**

**TYPICAL OPERATING CHARACTERISTICS**

$T_A = 25^\circ\text{C}$ , unless otherwise noted.



## FUNCTIONAL DESCRIPTION

The CAT5110/5118/5119/5123/5124/5125 consist of a fixed resistor and a wiper contact with 32-tap points that are digitally controlled through a 2-wire up/down serial interface. Three end-to-end resistance values are available: 10kΩ, 50kΩ and 100kΩ.

The CAT5110/5125 is designed to operate as a potentiometer. In this configuration, the low terminal of the resistor array is connected to ground (pin 2).

The CAT5118/5123 performs as a variable resistor. In this device, the wiper terminal and high terminal of the resistor array are connected at pin 5. The CAT5119/5124 is a similar variable resistor, except the low terminal is connected to pin 5.

## DIGITAL INTERFACE OPERATION

The MiniPots have two modes of operation when the serial interface is active: increment and decrement mode. The serial interface is only active when  $\overline{CS}$  is low.

The  $\overline{CS}$  and  $U/\overline{D}$  inputs control the position of the wiper along the resistor array. When  $\overline{CS}$  transitions from high to low, the part will go into increment mode if  $U/\overline{D}$  input is high, and into decrement mode when  $U/\overline{D}$  input is low. Once the mode is set, the device will remain in that mode until  $\overline{CS}$  goes high again. A low-to-high transition at the  $U/\overline{D}$  pin will increment or decrement the wiper position depending on the current mode (Figures 1 and 2).

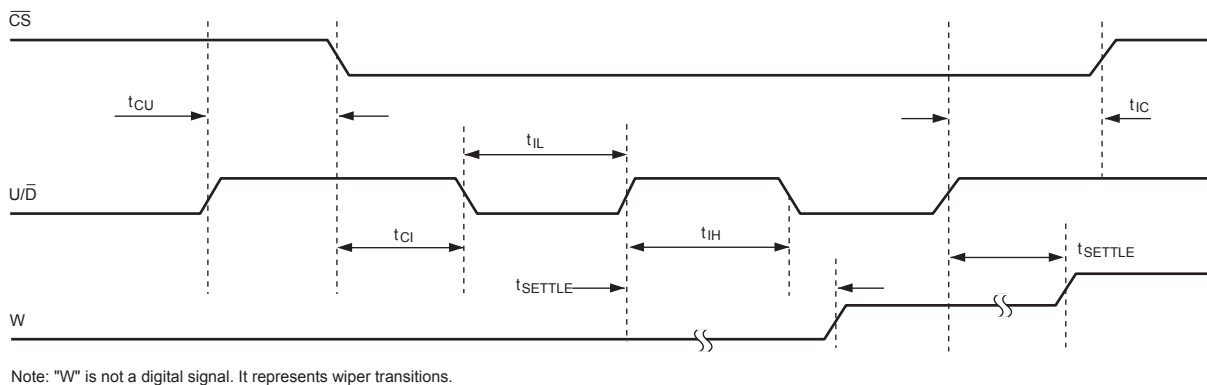
When the  $\overline{CS}$  input transitions to high (serial interface inactive), the value of the counter is stored and the wiper position is maintained.

Note that when the wiper reaches the maximum (or minimum) tap position, the wiper will not wrap around to the minimum (or maximum) position.

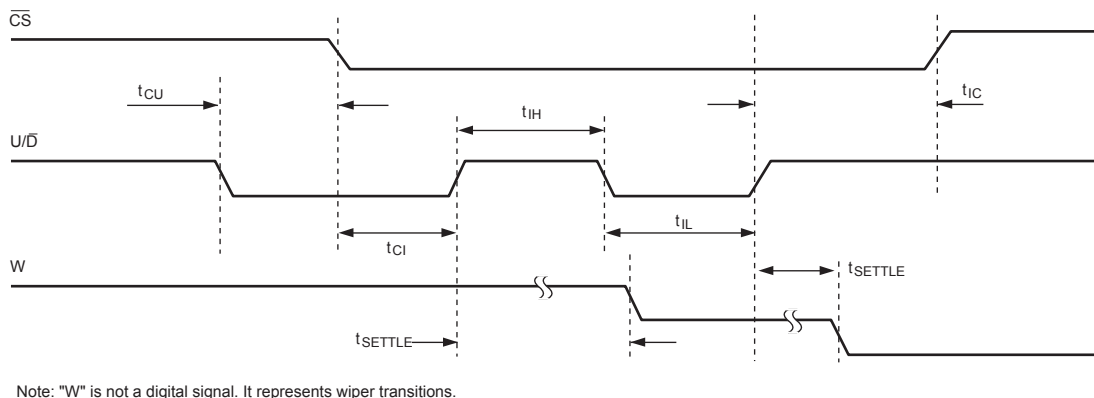
## POWER-ON RESET

All parts in this family feature power-on reset (POR) circuitry that sets the wiper position to midscale at power-up. By default, the chip is in the increment mode.

**Figure 1. Serial Interface Timing Diagram, Increment Mode**



**Figure 2. Serial Interface Timing Diagram, Decrement Mode**



## APPLICATIONS INFORMATION

The MiniPots are intended for circuits requiring digitally controlled adjustable resistance, such as LCD contrast control, where voltage biasing adjusts the display contrast.

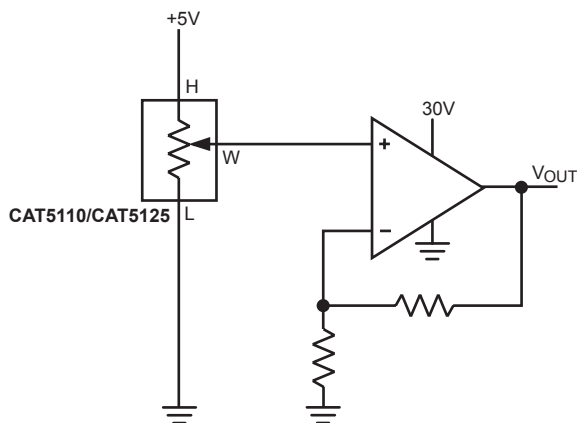
### ALTERNATIVE POSITIVE LCD BIAS CONTROL

An op amp can be used to provide buffering and gain on the output of the CAT5110/CAT5125. This can be done by connecting the wiper output to the positive input of a noninverting op amp as shown in Figure 3. Figure 4 shows a similar circuit for the CAT5119/CAT5124.

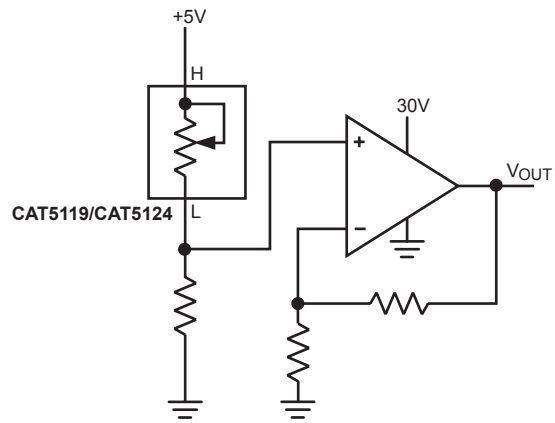
### ADJUSTABLE GAIN

Figure 5 shows how to use either a variable resistor or a potentiometer to digitally adjust the gain of a noninverting op amp configuration, by connecting the MiniPot in series with a resistor to ground. The MiniPots have a low 5ppm/°C ratiometric tempco that allows for a very stable adjustable gain configuration over temperature.

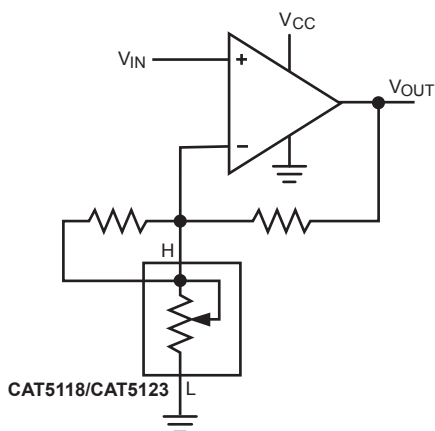
**Figure 3. Positive LCD Bias Control**



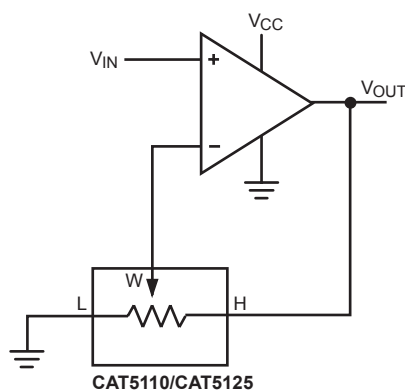
**Figure 4. Positive LCD Bias Control**



**Figure 5a. Adjustable Gain Circuit**

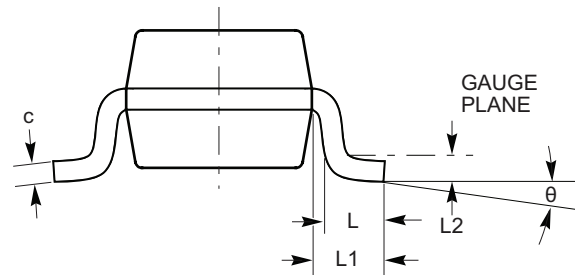
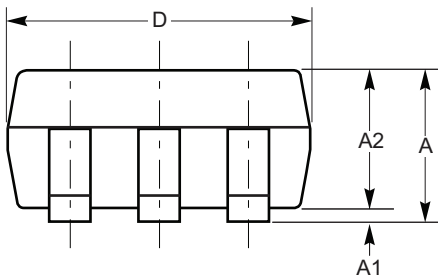
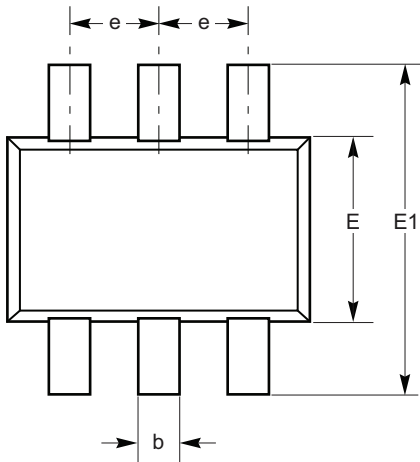


**Figure 5b. Adjustable Gain Circuit**



**PACKAGE INFORMATION**

**SC-70 6 LEAD**

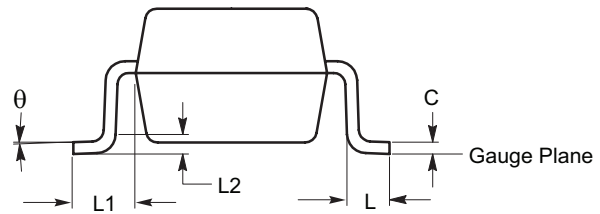
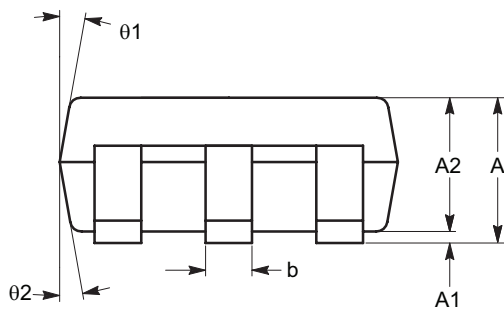
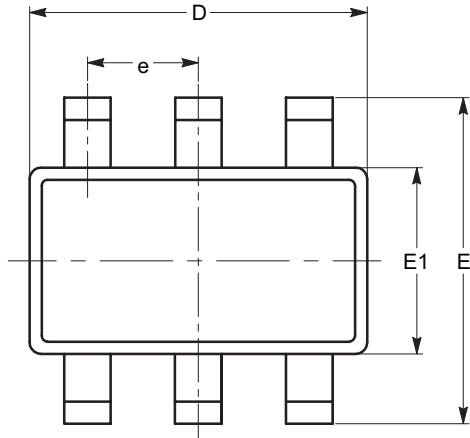


| SYMBOL | MIN       | NOM      | MAX  |
|--------|-----------|----------|------|
| A      | 0.80      |          | 1.10 |
| A1     | 0.00      |          | 0.10 |
| A2     | 0.70      | 0.90     | 1.00 |
| b      | 0.15      |          | 0.30 |
| c      | 0.08      | 0.20     | 0.22 |
| D      | 1.80      | 2.00     | 2.20 |
| E      | 1.15      | 1.25     | 1.38 |
| E1     | 1.80      | 2.10     | 2.40 |
| e      | —         | 0.65 BSC | —    |
| L      | 0.26      | 0.36     | 0.46 |
| L1     | 0.425 REF |          |      |
| L2     | 0.15 BSC  |          |      |
| θ      | 0°        |          | 8°   |

For current Tape and Reel information,  
download the PDF file from:  
[www.catsemi.com/documents/tapeandreeel.pdf](http://www.catsemi.com/documents/tapeandreeel.pdf)

**Notes:**

- (1) All dimensions are in millimeters.
- (2) All specifications comply to JEDEC standard M0-203.

**SOT-23 6 LEAD**


| SYMBOL    | MIN      | NOM  | MAX  |
|-----------|----------|------|------|
| A         |          |      | 1.45 |
| A1        | 0.00     |      | 0.15 |
| A2        | 0.90     | 1.15 | 1.30 |
| c         | 0.08     |      | 0.22 |
| b         | 0.30     |      | 0.50 |
| e         | 0.95 BSC |      |      |
| D         | 2.90 BSC |      |      |
| E         | 2.80 BSC |      |      |
| E1        | 1.60 BSC |      |      |
| L         | 0.30     | 0.45 | 0.60 |
| L1        | 0.60 REF |      |      |
| L2        | 0.25 BSC |      |      |
| $\theta$  | 0°       |      | 8°   |
| $\theta1$ | 0°       |      | 10°  |
| $\theta2$ | 0°       |      | 10°  |

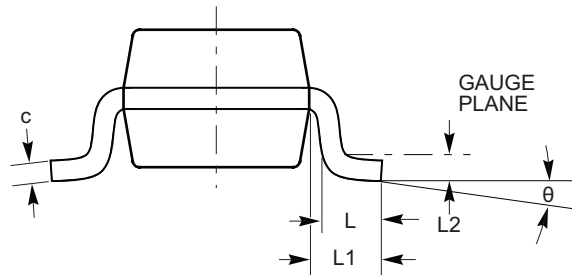
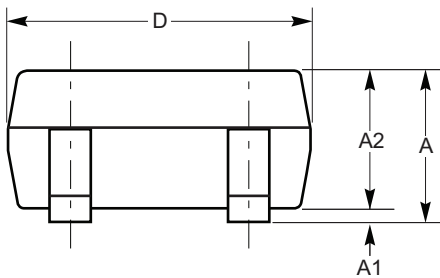
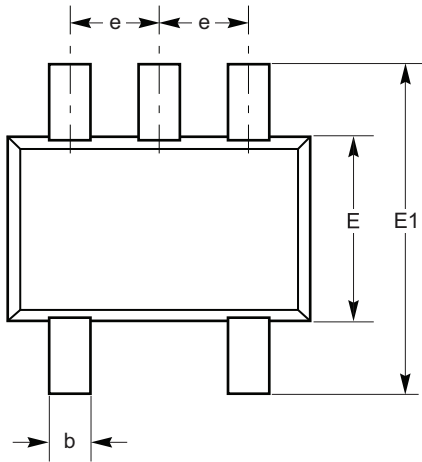
For current Tape and Reel information,  
 download the PDF file from:  
[www.catsemi.com/documents/tapeandreeel.pdf](http://www.catsemi.com/documents/tapeandreeel.pdf)

**Notes:**

- (1) All dimensions are in millimeters. Angles in degrees.
- (2) All specifications comply to JEDEC standard MO-178.



**SC-70 5 LEAD**



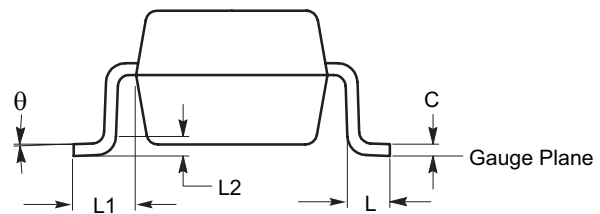
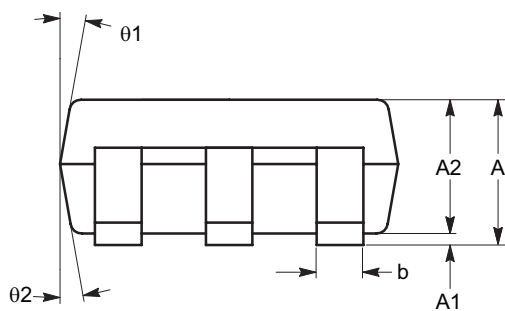
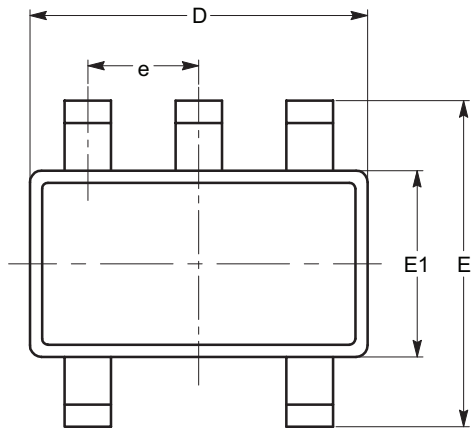
| SYMBOL | MIN  | NOM      | MAX  |
|--------|------|----------|------|
| A      | 0.80 |          | 1.10 |
| A1     | 0.00 |          | 0.10 |
| A2     | 0.80 |          | 1.00 |
| b      | 0.15 |          | 0.30 |
| c      | 0.10 |          | 0.18 |
| D      | 1.80 | 2.00     | 2.20 |
| E      | 1.15 | 1.25     | 1.35 |
| E1     | 1.80 | 2.10     | 2.40 |
| e      |      | 0.65 BSC |      |
| L      | 0.26 | 0.36     | 0.46 |
| L1     |      | 0.42 REF |      |
| L2     |      | 0.15 BSC |      |
| θ      | 0°   |          | 8°   |

For current Tape and Reel information,  
download the PDF file from:  
[www.catsemi.com/documents/tapeandreeel.pdf](http://www.catsemi.com/documents/tapeandreeel.pdf)

**Notes:**

- (1) All dimensions are in millimeters. Angles in degrees.
- (2) All specifications comply to JEDEC standard M0-203.

**SOT-23 5 LEAD**



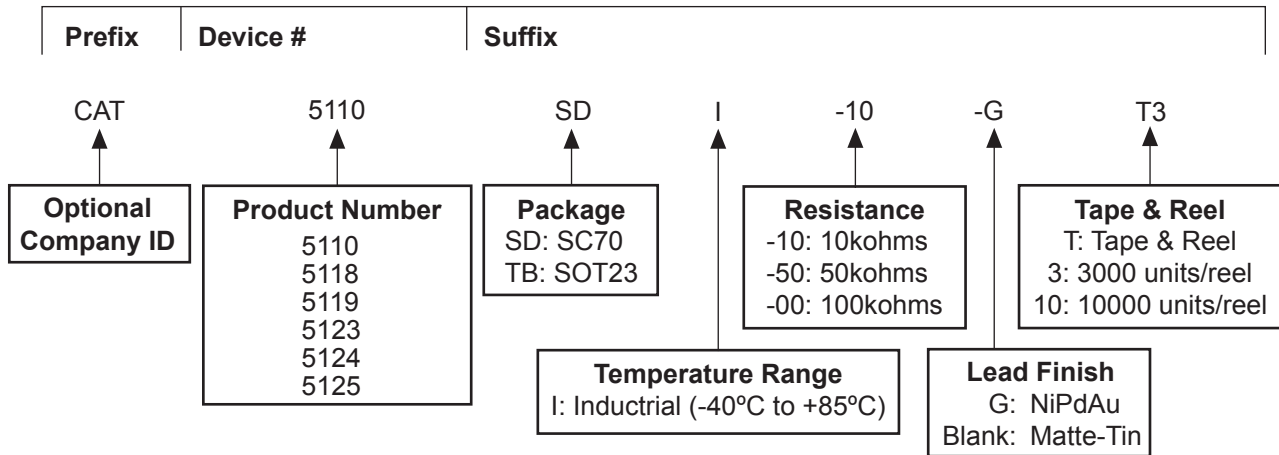
| SYMBOL | MIN      | NOM  | MAX  |
|--------|----------|------|------|
| A      |          |      | 1.45 |
| A1     | 0.00     |      | 0.15 |
| A2     | 0.90     | 1.15 | 1.30 |
| c      | 0.08     |      | 0.22 |
| b      | 0.30     |      | 0.50 |
| e      | 0.95 BSC |      |      |
| D      | 2.90 BSC |      |      |
| E      | 2.80 BSC |      |      |
| E1     | 1.60 BSC |      |      |
| L      | 0.30     | 0.45 | 0.60 |
| L1     | 0.60 REF |      |      |
| L2     | 0.25 BSC |      |      |
| θ      | 0°       |      | 8°   |
| θ1     | 0°       |      | 10°  |
| θ2     | 0°       |      | 10°  |

For current Tape and Reel information,  
download the PDF file from:  
[www.catsemi.com/documents/tapeandreeel.pdf](http://www.catsemi.com/documents/tapeandreeel.pdf)

**Notes:**

- (1) All dimensions are in millimeters. Angles in degrees.
- (2) All specifications comply to JEDEC standard MO-178.

**EXAMPLE OF ORDERING INFORMATION**



**Notes:**

- (1) All packages are RoHS-compliant (Lead-free, Halogen-free).
- (2) The device used in the example above is a CAT5110SDI-10 -GT3 (NiPdAu, Tape and Reel).
- (3) The standard finish for SOT23 package is Matte-Tin.
- (4) The standard finish for SC70 package is NiPdAu.
- (5) For additional package and temperature options, please contact your nearest Catalyst Semiconductor Sales office.

**CAT5110, CAT5118, CAT5119, CAT5123, CAT5124, CAT5125**
**ORDERING INFORMATION**

| Device             | Ordering part number | Resistor [kΩ] | Top Marking | Pin package | Parts per reel |
|--------------------|----------------------|---------------|-------------|-------------|----------------|
| <b>CAT5110</b>     | CAT5110SDI-10-GT3    | 10            | JU_         | SC70-6      | 3,000          |
|                    | CAT5110SDI-10-GT10   | 10            | JU_         | SC70-6      | 10,000         |
|                    | CAT5110TBI-10-T3     | 10            | JUYM        | SOT23-6     | 3,000          |
|                    | CAT5110TBI-10-T10    | 10            | JUYM        | SOT23-6     | 10,000         |
|                    | CAT5110TBI-10-GT3    | 10            | JUYM        | SOT23-6     | 3,000          |
|                    | CAT5110TBI-10-GT10   | 10            | JUYM        | SOT23-6     | 10,000         |
|                    | CAT5110SDI-50-GT3    | 50            | JV_         | SC70-6      | 3,000          |
|                    | CAT5110SDI-50-GT10   | 50            | JV_         | SC70-6      | 10,000         |
|                    | CAT5110TBI-50-T3     | 50            | JVYM        | SOT23-6     | 3,000          |
|                    | CAT5110TBI-50-T10    | 50            | JVYM        | SOT23-6     | 10,000         |
|                    | CAT5110TBI-50-GT3    | 50            | JVYM        | SOT23-6     | 3,000          |
|                    | CAT5110TBI-50-GT10   | 50            | JVYM        | SOT23-6     | 10,000         |
|                    | CAT5110SDI-00-GT3    | 100           | JW_         | SC70-6      | 3,000          |
|                    | CAT5110SDI-00-GT10   | 100           | JW_         | SC70-6      | 10,000         |
|                    | CAT5110TBI-00-T3     | 100           | JWYM        | SOT23-6     | 3,000          |
|                    | CAT5110TBI-00-T10    | 100           | JWYM        | SOT23-6     | 10,000         |
| CAT5110TBI-00-GT3  | 100                  | JWYM          | SOT23-6     | 3,000       |                |
| CAT5110TBI-00-GT10 | 100                  | JWYM          | SOT23-6     | 10,000      |                |
| <b>CAT5118</b>     | CAT5118SDI-10-GT3    | 10            | JL_         | SC70-5      | 3,000          |
|                    | CAT5118SDI-10-GT10   | 10            | JL_         | SC70-5      | 10,000         |
|                    | CAT5118TBI-10-T3     | 10            | JLYM        | SOT23-5     | 3,000          |
|                    | CAT5118TBI-10-T10    | 10            | JLYM        | SOT23-5     | 10,000         |
|                    | CAT5118TBI-10-GT3    | 10            | JLYM        | SOT23-5     | 3,000          |
|                    | CAT5118TBI-10-GT10   | 10            | JLYM        | SOT23-5     | 10,000         |
|                    | CAT5118SDI-50-GT3    | 50            | JM_         | SC70-5      | 3,000          |
|                    | CAT5118SDI-50-GT10   | 50            | JM_         | SC70-5      | 10,000         |
|                    | CAT5118TBI-50-T3     | 50            | JMYM        | SOT23-5     | 3,000          |
|                    | CAT5118TBI-50-T10    | 50            | JMYM        | SOT23-5     | 10,000         |
|                    | CAT5118TBI-50-GT3    | 50            | JMYM        | SOT23-5     | 3,000          |
|                    | CAT5118TBI-50-GT10   | 50            | JMYM        | SOT23-5     | 10,000         |
|                    | CAT5118SDI-00-GT3    | 100           | JN_         | SC70-5      | 3,000          |
|                    | CAT5118SDI-00-GT10   | 100           | JN_         | SC70-5      | 10,000         |
|                    | CAT5118TBI-00-T3     | 100           | JNYM        | SOT23-5     | 3,000          |
|                    | CAT5118TBI-00-T10    | 100           | JNYM        | SOT23-5     | 10,000         |
| CAT5118TBI-00-GT3  | 100                  | JNYM          | SOT23-5     | 3,000       |                |
| CAT5118TBI-00-GT10 | 100                  | JNYM          | SOT23-5     | 10,000      |                |

**ORDERING INFORMATION (Continued)**

| Device                            | Ordering part number | Resistor [kΩ]     | Top Marking | Pin package | Parts per reel |        |
|-----------------------------------|----------------------|-------------------|-------------|-------------|----------------|--------|
| <b>CAT5119</b>                    | CAT5119SDI-10-GT3    | 10                | JP_         | SC70-6      | 3,000          |        |
|                                   | CAT5119SDI-10-GT10   | 10                | JP_         | SC70-6      | 10,000         |        |
|                                   | CAT5119TBI-10-T3     | 10                | JPYM        | SOT23-6     | 3,000          |        |
|                                   | CAT5119TBI-10-T10    | 10                | JPYM        | SOT23-6     | 10,000         |        |
|                                   | CAT5119TBI-10-GT3    | 10                | JPYM        | SOT23-6     | 3,000          |        |
|                                   | CAT5119TBI-10-GT10   | 10                | JPYM        | SOT23-6     | 10,000         |        |
|                                   | CAT5119SDI-50-GT3    | 50                | JR_         | SC70-6      | 3,000          |        |
|                                   | CAT5119SDI-50-GT10   | 50                | JR_         | SC70-6      | 10,000         |        |
|                                   | CAT5119TBI-50-T3     | 50                | JRYM        | SOT23-6     | 3,000          |        |
|                                   | CAT5119TBI-50-T10    | 50                | JRYM        | SOT23-6     | 10,000         |        |
|                                   | CAT5119TBI-50-GT3    | 50                | JRYM        | SOT23-6     | 3,000          |        |
|                                   | CAT5119TBI-50-GT10   | 50                | JRYM        | SOT23-6     | 10,000         |        |
|                                   | CAT5119SDI-00-GT3    | 100               | JT_         | SC70-6      | 3,000          |        |
|                                   | CAT5119SDI-00-GT10   | 100               | JT_         | SC70-6      | 10,000         |        |
|                                   | CAT5119TBI-00-T3     | 100               | JTYM        | SOT23-6     | 3,000          |        |
|                                   | CAT5119TBI-00-T10    | 100               | JTYM        | SOT23-6     | 10,000         |        |
|                                   | CAT5119TBI-00-GT3    | 100               | JTYM        | SOT23-6     | 3,000          |        |
|                                   | CAT5119TBI-00-GT10   | 100               | JTYM        | SOT23-6     | 10,000         |        |
|                                   | <b>CAT5123</b>       | CAT5123TBI-10-T3  | 10          | JLYM        | SOT23-5        | 3,000  |
|                                   |                      | CAT5123TBI-10-T10 | 10          | JLYM        | SOT23-5        | 10,000 |
| CAT5123TBI-10-GT3                 |                      | 10                | JLYM        | SOT23-5     | 3,000          |        |
| CAT5123TBI-10-GT10                |                      | 10                | JLYM        | SOT23-5     | 10,000         |        |
| CAT5123TBI-50-T3 <sup>(1)</sup>   |                      | 50                | JMYM        | SOT23-5     | 3,000          |        |
| CAT5123TBI-50-T10 <sup>(1)</sup>  |                      | 50                | JMYM        | SOT23-5     | 10,000         |        |
| CAT5123TBI-50-GT3 <sup>(1)</sup>  |                      | 50                | JMYM        | SOT23-5     | 3,000          |        |
| CAT5123TBI-50-GT10 <sup>(1)</sup> |                      | 50                | JMYM        | SOT23-5     | 10,000         |        |
| CAT5123TBI-00-T3 <sup>(1)</sup>   |                      | 100               | JNYM        | SOT23-5     | 3,000          |        |
| CAT5123TBI-00-T10 <sup>(1)</sup>  |                      | 100               | JNYM        | SOT23-5     | 10,000         |        |
| CAT5123TBI-00-GT3 <sup>(1)</sup>  |                      | 100               | JNYM        | SOT23-5     | 3,000          |        |
| CAT5123TBI-00-GT10 <sup>(1)</sup> |                      | 100               | JNYM        | SOT23-5     | 10,000         |        |

**Notes:**

(1) Contact factory for availability.

**CAT5110, CAT5118, CAT5119, CAT5123, CAT5124, CAT5125**
**ORDERING INFORMATION (Continued)**

| Device                            | Ordering part number              | Resistor [kΩ]    | Top Marking | Pin package | Parts per reel |
|-----------------------------------|-----------------------------------|------------------|-------------|-------------|----------------|
| <b>CAT5124</b>                    | CAT5124TBI-10-T3 <sup>(1)</sup>   | 10               | JLYM        | SOT23-5     | 3,000          |
|                                   | CAT5124TBI-10-T10 <sup>(1)</sup>  | 10               | JLYM        | SOT23-5     | 10,000         |
|                                   | CAT5124TBI-10-GT3 <sup>(1)</sup>  | 10               | JLYM        | SOT23-5     | 3,000          |
|                                   | CAT5124TBI-10-GT10 <sup>(1)</sup> | 10               | JLYM        | SOT23-5     | 10,000         |
|                                   | CAT5124TBI-50-T3                  | 50               | JMYM        | SOT23-5     | 3,000          |
|                                   | CAT5124TBI-50-T10                 | 50               | JMYM        | SOT23-5     | 10,000         |
|                                   | CAT5124TBI-50-GT3                 | 50               | JMYM        | SOT23-5     | 3,000          |
|                                   | CAT5124TBI-50-GT10                | 50               | JMYM        | SOT23-5     | 10,000         |
|                                   | CAT5124TBI-00-T3 <sup>(1)</sup>   | 100              | JNYM        | SOT23-5     | 3,000          |
|                                   | CAT5124TBI-00-T10 <sup>(1)</sup>  | 100              | JNYM        | SOT23-5     | 10,000         |
|                                   | CAT5124TBI-00-GT3 <sup>(1)</sup>  | 100              | JNYM        | SOT23-5     | 3,000          |
|                                   | CAT5124TBI-00-GT10 <sup>(1)</sup> | 100              | JNYM        | SOT23-5     | 10,000         |
|                                   | <b>CAT5125</b>                    | CAT5125TBI-10-T3 | 10          | JUYM        | SOT23-6        |
| CAT5125TBI-10-T10                 |                                   | 10               | JUYM        | SOT23-6     | 10,000         |
| CAT5125TBI-10-GT3                 |                                   | 10               | JUYM        | SOT23-6     | 3,000          |
| CAT5125TBI-10-GT10                |                                   | 10               | JUYM        | SOT23-6     | 10,000         |
| CAT5125TBI-50-T3 <sup>(1)</sup>   |                                   | 50               | JVYM        | SOT23-6     | 3,000          |
| CAT5125TBI-50-T10 <sup>(1)</sup>  |                                   | 50               | JVYM        | SOT23-6     | 10,000         |
| CAT5125TBI-50-GT3 <sup>(1)</sup>  |                                   | 50               | JVYM        | SOT23-6     | 3,000          |
| CAT5125TBI-50-GT10 <sup>(1)</sup> |                                   | 50               | JVYM        | SOT23-6     | 10,000         |
| CAT5125TBI-00-T3 <sup>(1)</sup>   |                                   | 100              | JWYM        | SOT23-6     | 3,000          |
| CAT5125TBI-00-T10 <sup>(1)</sup>  |                                   | 100              | JWYM        | SOT23-6     | 10,000         |
| CAT5125TBI-00-GT3 <sup>(1)</sup>  |                                   | 100              | JWYM        | SOT23-6     | 3,000          |
| CAT5125TBI-00-GT10 <sup>(1)</sup> |                                   | 100              | JWYM        | SOT23-6     | 10,000         |

**Notes:**

(1) Contact factory for availability.

**REVISION HISTORY**

| <b>Date</b> | <b>Rev.</b> | <b>Reason</b>   |
|-------------|-------------|---|
| 03/10/2004  | A           | Initial Issue   |
| 03/18/2004  | B           | Update Typical Operating Characteristics<br>Update SC70 package outline   |
| 07/19/2004  | C           | Added SOT-23 package in all areas<br>Update Description<br>Update Electrical Characteristics<br>Update Typical Operating Characteristics<br>Update Functional Description   |
| 12/15/2006  | D           | Added CAT5123, CAT5124, CAT5125<br>Update Features<br>Update Description<br>Update Pin Configuration<br>Update Pin Description<br>Update Electrical Characteristics<br>Update Typical Operating Characteristics<br>Update Functional Description<br>Update Figures 3, 4, 5 and 6<br>Update Package Information<br>Update Example of Ordering Information<br>Update Ordering information |
| 01/29/07    | E           | Update Electrical Characteristics   |

---

**Copyrights, Trademarks and Patents**

Trademarks and registered trademarks of Catalyst Semiconductor include each of the following:

Beyond Memory™, DPP™, EZDim™, MiniPot™, and Quad-Mode™

Catalyst Semiconductor has been issued U.S. and foreign patents and has patent applications pending that protect its products.

*CATALYST SEMICONDUCTOR MAKES NO WARRANTY, REPRESENTATION OR GUARANTEE, EXPRESS OR IMPLIED, REGARDING THE SUITABILITY OF ITS PRODUCTS FOR ANY PARTICULAR PURPOSE, NOR THAT THE USE OF ITS PRODUCTS WILL NOT INFRINGE ITS INTELLECTUAL PROPERTY RIGHTS OR THE RIGHTS OF THIRD PARTIES WITH RESPECT TO ANY PARTICULAR USE OR APPLICATION AND SPECIFICALLY DISCLAIMS ANY AND ALL LIABILITY ARISING OUT OF ANY SUCH USE OR APPLICATION, INCLUDING BUT NOT LIMITED TO, CONSEQUENTIAL OR INCIDENTAL DAMAGES.*

Catalyst Semiconductor products are not designed, intended, or authorized for use as components in systems intended for surgical implant into the body, or other applications intended to support or sustain life, or for any other application in which the failure of the Catalyst Semiconductor product could create a situation where personal injury or death may occur.

Catalyst Semiconductor reserves the right to make changes to or discontinue any product or service described herein without notice. Products with data sheets labeled "Advance Information" or "Preliminary" and other products described herein may not be in production or offered for sale.

Catalyst Semiconductor advises customers to obtain the current version of the relevant product information before placing orders. Circuit diagrams illustrate typical semiconductor applications and may not be complete.

---



Catalyst Semiconductor, Inc.  
Corporate Headquarters  
2975 Stender Way  
Santa Clara, CA 95054  
Phone: 408.542.1000  
Fax: 408.542.1200  
www.catsemi.com

Document No: 2120  
Revision: E  
Issue date: 01/29/07