

GP1F562T series Fiber Optic Transmitter/Receiver

Thin Type Optical Mini-jack for Digital Audio Equipment

General Description

Sharp's **GP1F562T/GP1F565R/GP1F595R** are thin type, transmitter/receiver unit for compact optical mini-jack. It is suitable for signal transmission in portable digital audio equipment(MD player) due to thin(4.4mm), low voltage operation and low dissipation current.

Features

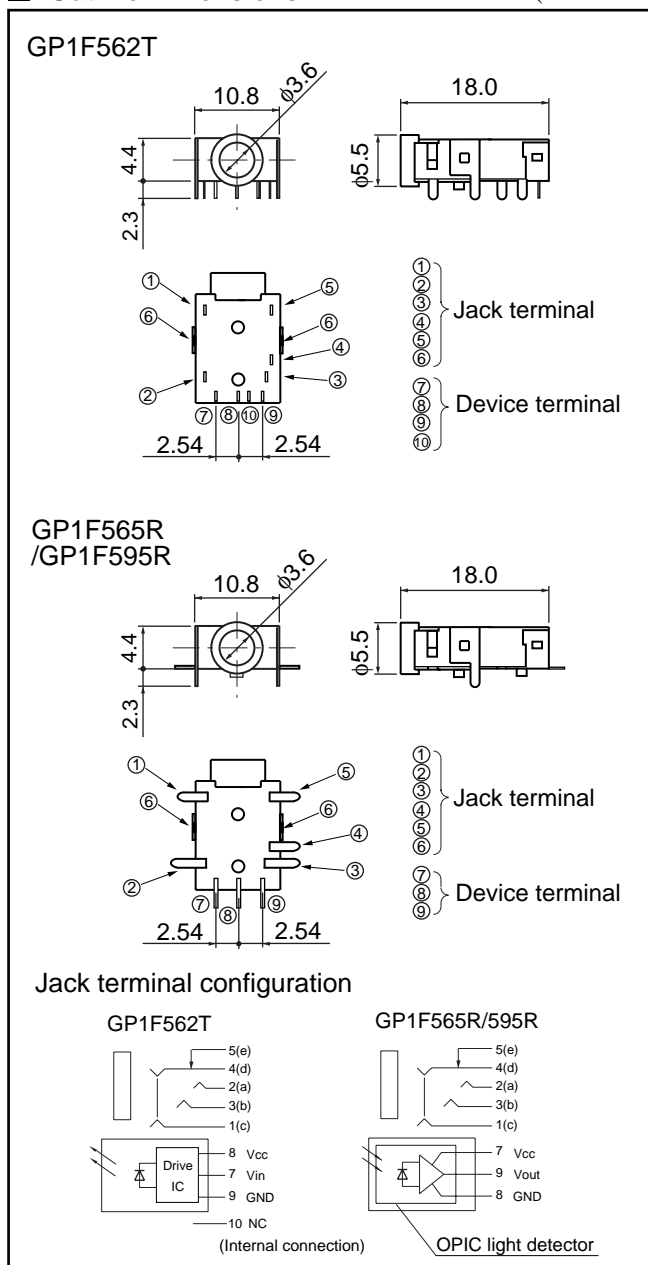
- (1) Compact (adoption of compact jack for mini plug)
EIAJ RC-6701A
- (2) Thin type (4.4mm)
- (3) Can distinguish and transmit both of optical signal and electrical signal
- (4) High speed data transmission
Signal transmission speed : MAX. 8Mbps(NRZ signal)
- (5) Low voltage operation
(**GP1F562T/565R** : 2.7 to 3.6V)
(**GP1F595R** : 2.4 to 3.0V)
- (6) Low dissipation current
- (7) Minimum input optical power level approved by EIAJ standard (CP-1201)
- (8) Optic transmitter unit : **GP1F562T**
Optic receiver unit : **GP1F565R/GP1F595R**

Applications

- (1) MD players
- (2) Portable CD players

Outline Dimensions

(Unit : mm)



(Notice) • In the absence of device specification sheets, SHARP takes no responsibility for any defects that may occur in equipment using any SHARP device shown in catalogs, data books, etc. Contact SHARP in order to obtain the latest device specification sheets before using any SHARP device.
• Specifications are subject to change without notice for improvement.

(Internet) • Data for SHARP's optoelectronic/power device is provided on internet. (Address <http://www.sharp.co.jp/ecg/>)

GP1F562T series Fiber Optic Transmitter/Receiver

■ Specifications

(Ta=25°C)

Parameter	Symbol	Ratings		
		GP1F562T	GP1F565R	GP1F595R
Operating voltage	Vcc	2.7 to 3.6V		2.4 to 3.0V
Dissipation current	Icc	TYP.8mA	TYP.12mA	TYP.6mA
Fiber coupling light output	Pc	-21 to -15dBm	-	-
Minimum input optical power level	Pc	-	-24dBm	-24dBm
Jitter	Tj	TYP 1ns		
Operating temperature	Topr	-20 to +70°C		

■ Sample of Optical Mini-jack Connection

