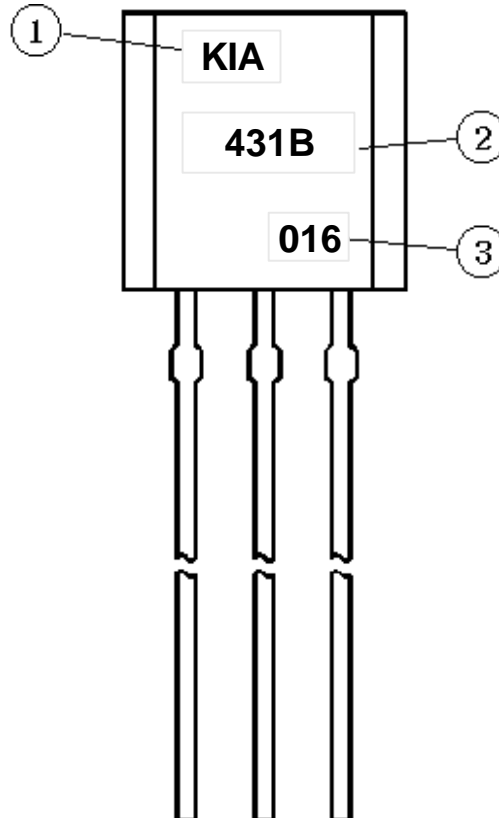


1. Marking method

Laser Marking

2. Marking



No.	Item	Marking	Description		
1	Trade Name	KIA	KEC Analog Integrated Circuit		
2	Device Name	431B	KIA431B		
3	Lot No.	016	0	Year	0 ~ 9 : 2000~2009
			16	Week	16 : 16th Week