

**FEATURES**

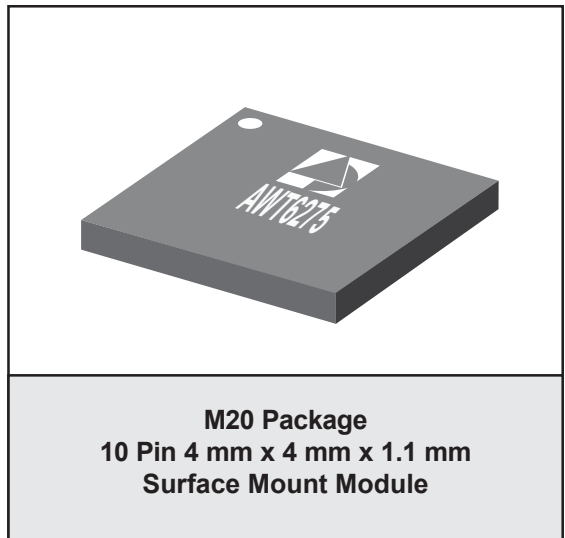
- InGaP HBT Technology
- High Efficiency:
  - 43% @ P<sub>OUT</sub> = +27.5 dBm
  - 21% @ P<sub>OUT</sub> = +16 dBm
  - 15% @ P<sub>OUT</sub> = +7 dBm
- Low Quiescent Current: 16 mA
- Low Leakage Current in Shutdown Mode: <1 μA
- V<sub>REF</sub> = +2.85 V (+2.75 V min over temp)
- Optimized for a 50 Ω System
- Low Profile Miniature Surface Mount Package  
Option: 1.1 mm Max
- RoHS Compliant Package, 250 °C MSL-3
- HSDPA Capable

**APPLICATIONS**

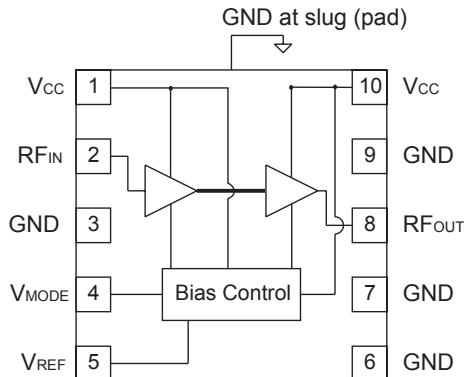
- Dual Band WCDMA Wireless Handsets
- Dual Mode 3GPP Wireless Handsets

**PRODUCT DESCRIPTION**

The AWT6275 meets the increasing demands for higher output power in UMTS handsets. The PA module is optimized for V<sub>REF</sub> = +2.85 V, a requirement for compatibility with the Qualcomm® 6250 chipset. The device is manufactured on an advanced InGaP HBT MMIC technology offering state-of-the-art reliability, temperature stability, and ruggedness. Selectable



bias modes that optimize efficiency for different output power levels, and a shutdown mode with low leakage current, increase handset talk and standby time. The self-contained 4 mm x 4 mm x 1.5 mm surface mount package incorporates matching networks optimized for output power, efficiency, and linearity in a 50 Ω system.



**Figure 1: Block Diagram**

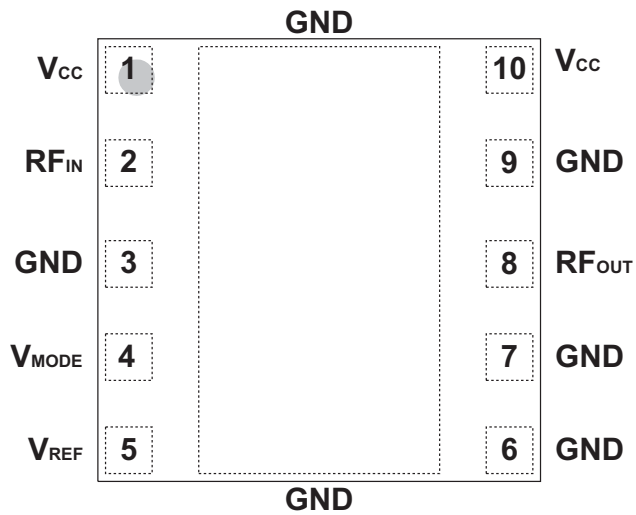


Figure 2: Pinout (X-ray Top View)

Table 1: Pin Description

PIN	NAME	DESCRIPTION
1	$V_{CC}$	Supply Voltage
2	$RF_{IN}$	RF Input
3	GND	Ground
4	$V_{MODE}$	Mode Control Voltage
5	$V_{REF}$	Reference Voltage
6	GND	Ground
7	GND	Ground
8	$RF_{OUT}$	RF Output
9	GND	Ground
10	$V_{CC}$	Supply Voltage

## ELECTRICAL CHARACTERISTICS

Table 2: Absolute Minimum and Maximum Ratings

PARAMETER	MIN	MAX	UNIT
Supply Voltage ( $V_{CC}$ )	0	+5	V
Mode Control Voltage ( $V_{MODE}$ )	0	+3.5	V
Reference Voltage ( $V_{REF}$ )	0	+3.5	V
RF Input Power ( $P_{IN}$ )	-	+10	dBm
Storage Temperature ( $T_{STG}$ )	-40	+150	°C

Stresses in excess of the absolute ratings may cause permanent damage. Functional operation is not implied under these conditions. Exposure to absolute ratings for extended periods of time may adversely affect reliability.

Table 3: Operating Ranges

PARAMETER	MIN	TYP	MAX	UNIT	COMMENTS
Operating Frequency (f)	1920	-	1980	MHz	
Supply Voltage ( $V_{CC}$ )	+3.2 -	+3.4 +1.5	+4.2 -	V	$P_{OUT} \leq +27.5$ dBm $P_{OUT} \leq 7$ dBm
Reference Voltage ( $V_{REF}$ )	+2.75 0	+2.85 -	+2.95 +0.5	V	PA "on" PA "shut down"
Mode Control Voltage ( $V_{MODE}$ )	+2.3 0	+2.85 -	+3.1 +0.5	V	Low Bias Mode High Bias Mode
RF Output Power ( $P_{OUT}$ )	+27.0 <sup>(1)</sup>	+27.5	-	dBm	
Case Temperature ( $T_C$ )	-20	-	+90	°C	

The device may be operated safely over these conditions; however, parametric performance is guaranteed only over the conditions defined in the electrical specifications.

## Notes:

(1) For operation at  $V_{CC} = +3.2$  V,  $P_{OUT}$  is derated by 0.5 dB.

**Table 4: Electrical Specifications**  
 ( $T_C = +25\text{ }^\circ\text{C}$ ,  $V_{CC} = +3.4\text{ V}$ ,  $V_{REF} = +2.85\text{ V}$ ,  $50\text{ }\Omega$  system)

PARAMETER	MIN	TYP	MAX	UNIT	COMMENTS
Gain	24.5 13.5 12	26.5 15.5 14	29 17.5 16	dB	$P_{OUT} = +27.5\text{ dBm}$ , $V_{MODE} = 0\text{ V}$ $P_{OUT} = +16\text{ dBm}$ , $V_{MODE} = +2.85\text{ V}$ $P_{OUT} = +7\text{ dBm}$ , $V_{CC} = 1.5\text{ V}$ , $V_{MODE} = +2.85\text{ V}$
ACLR1 at 5 MHz offset <sup>(1)</sup>	- - -	-41 -43 -40	-38 -38 -38	dBc	$P_{OUT} = +27.5\text{ dBm}$ , $V_{MODE} = 0\text{ V}$ $P_{OUT} = +16\text{ dBm}$ , $V_{MODE} = +2.85\text{ V}$ $P_{OUT} = +7\text{ dBm}$ , $V_{CC} = 1.5\text{ V}$ , $V_{MODE} = +2.85\text{ V}$
ACLR2 at 10 MHz offset	- - -	-58 -52 -57	-48 -48 -48	dBc	$P_{OUT} = +27.5\text{ dBm}$ , $V_{MODE} = 0\text{ V}$ $P_{OUT} = +16\text{ dBm}$ , $V_{MODE} = +2.85\text{ V}$ $P_{OUT} = +7\text{ dBm}$ , $V_{CC} = 1.5\text{ V}$ , $V_{MODE} = +2.85\text{ V}$
Power-Added Efficiency <sup>(1)</sup>	39 18 12	43 21 15	- - -	%	$P_{OUT} = +27.5\text{ dBm}$ , $V_{MODE} = 0\text{ V}$ $P_{OUT} = +16\text{ dBm}$ , $V_{MODE} = +2.85\text{ V}$ $P_{OUT} = +7\text{ dBm}$ , $V_{CC} = 1.5\text{ V}$ , $V_{MODE} = +2.85\text{ V}$
Quiescent Current ( $I_{cq}$ )	-	16	22	mA	$V_{MODE} = +2.85\text{ V}$ , $V_{CC} = 3.4\text{ V}$
Reference Current	-	3.6	5	mA	through $V_{REF}$ pin
Mode Control Current	-	0.3	1	mA	through $V_{MODE}$ pin, $V_{MODE} = +2.85\text{ V}$
Leakage Current	-	<1	5	$\mu\text{A}$	$V_{CC} = +4.2\text{ V}$ , $V_{REF} = 0\text{ V}$ , $V_{MODE} = 0\text{ V}$
Noise in Receive Band	-	-141	-138	dBm/Hz	2110 MHz to 2170 MHz
Harmonics 2fo 3fo, 4fo	- - -	-45 -50	-40 -45	dBc	$P_{OUT} \leq +27.5\text{ dBm}$
Input Impedance	-	-	2:1	VSWR	
Spurious Output Level (all spurious outputs)	-	-	-70	dBc	$P_{OUT} \leq +27.5\text{ dBm}$ In-band load VSWR < 5:1 Out-of-band load VSWR < 10:1 Applies over all operating conditions
Load mismatch stress with no permanent degradation or failure	10:1	-	-	VSWR	Applies over full operating range

Notes:

(1) ACLR and Efficiency measured at 1950 MHz.

## APPLICATION INFORMATION

To ensure proper performance, refer to all related Application Notes on the ANADIGICS web site: <http://www.anadigics.com>

### Shutdown Mode

The power amplifier may be placed in a shutdown mode by applying logic low levels (see Operating Ranges table) to both the  $V_{REF}$  and  $V_{MODE}$  voltages.

### Bias Modes

The power amplifier may be placed in either a Low Bias mode or a High Bias mode by applying the

appropriate logic level (see Operating Ranges table) to the  $V_{MODE}$  voltage. The Bias Control table lists the recommended modes of operation for various applications.

Three operating modes are recommended to optimize current consumption. High Bias/High  $V_{CC}$  operating mode is for  $P_{OUT}$  levels  $\geq 16$  dBm. At  $\sim 16$  dBm - 7 dBm, the PA should be "Mode Switched" to Low Bias Mode. For  $P_{OUT}$  levels  $\leq \sim 7$  dBm, the  $V_{CC}$  can be switched to 1.5 V (Low Bias Mode is also used for this  $P_{OUT}$  range).

Table 5: Bias Control

APPLICATION	$P_{OUT}$ LEVELS	BIAS MODE	$V_{REF}$	$V_{MODE}$	$V_{CC}$
CDMA - low power	$\leq +7$ dBm	Low	+2.85 V	+2.85 V	$\geq +1.5$
CDMA - med power	$7 \leq P_{OUT} \leq +16$ dBm	Low	+2.85 V	+2.85 V	+3.4
CDMA - high power	$> +16$ dBm	High	+2.85 V	0 V	+3.4
Shutdown	-	Shutdown	0 V	0 V	-

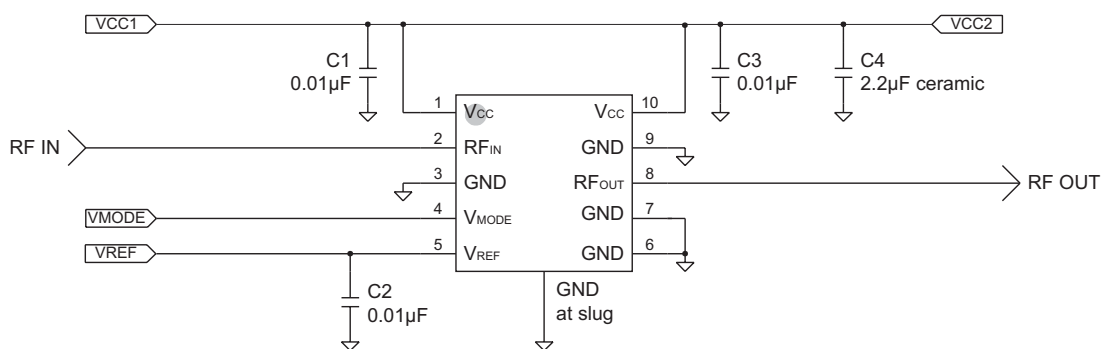
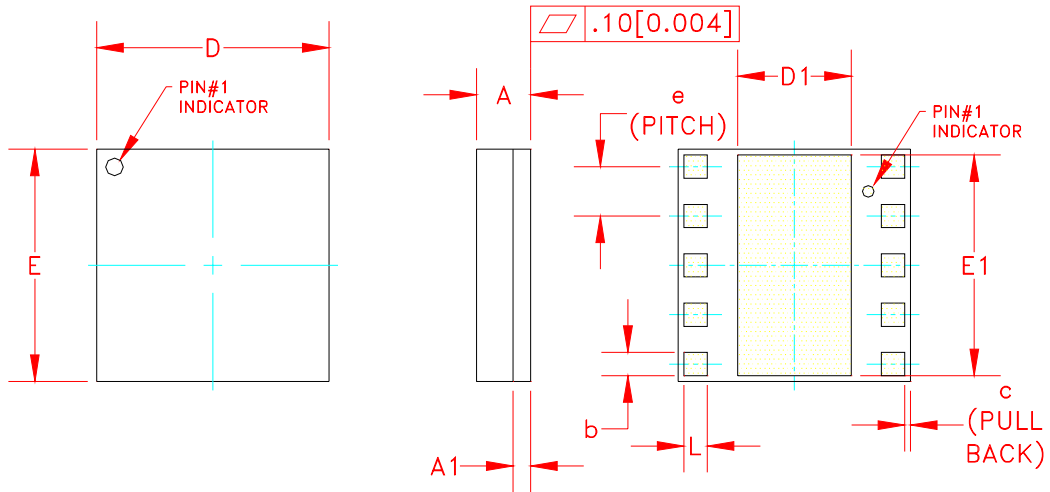


Figure 3: Application Circuit Schematic



S <sub>W</sub> 601	MILLIMETERS			INCHES			NOTE
	MIN.	NOM.	MAX.	MIN.	NOM.	MAX.	
A	0.85	0.95	1.05	0.033	0.037	0.041	-
A1	-	0.30	-	-	0.012	-	-
b	0.35	-	0.60	0.013	-	0.024	3
c	-	0.10	-	-	0.004	-	-
D	3.88	4.00	4.12	0.152	0.157	0.162	-
D1	1.90	-	2.20	0.075	-	0.086	-
E	3.88	4.00	4.12	0.152	0.157	0.162	-
E1	3.75	-	3.85	0.148	-	0.152	-
e	-	0.85	-	-	0.033	-	3
L	0.35	-	0.60	0.013	-	0.024	3

**NOTES:**

1. CONTROLLING DIMENSIONS: MILLIMETERS
2. UNLESS SPECIFIED TOLERANCE=±0.076[0.003].
3. PADS (INCLUDING CENTER) SHOWN UNIFORM SIZE FOR REFERENCE ONLY. ACTUAL PAD SIZE AND LOCATION WILL VARY WITHIN MIN. AND MAX. DIMENSIONS ACCORDING TO SPECIFIC LAMINATE DESIGN.

**Figure 4: M20 Package Outline - 10 Pin 4 mm x 4 mm x 1.1 mm Surface Mount Module**

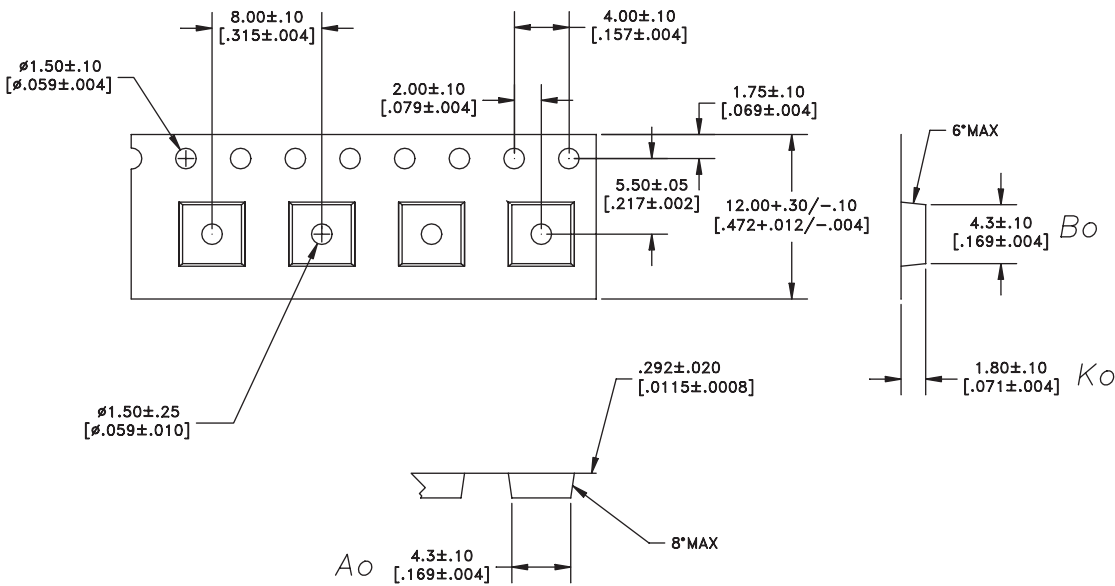


**NOTES:**

1. ANADIGICS LOGO SIZE: X=0.040±0.010 Y=0.048±0.010
2. PART # AWT6275R
3. YEAR AND WORK WEEK: YYWW: YY = YEAR, WW = WORK WEEK
4. LOT - WAFER I.D.: LLLLL - SS = WAFER/LOT I.D.
5. PIN 1 INDICATOR: MOLD NOTCH -or- INK DOT
6. BOM # BBB
7. COUNTRY CODE: CCCCC
8. TYPE : ELITE  
SIZE : AS LARGE AS POSSIBLE  
LASER MARKED

**Figure 5: Branding Specification - M20 Package**

COMPONENT PACKAGING



DIMENSIONS ARE IN MILLIMETERS [INCHES]  
STANDARD TOLERANCES

Figure 6: Tape & Reel Packaging

Table 6: Tape & Reel Dimensions

PACKAGE TYPE	TAPE WIDTH	POCKET PITCH	REEL CAPACITY	MAX REEL DIA
4 mm x 4 mm x 1.5 mm	12 mm	8 mm	2500	13"

**ORDERING INFORMATION**

ORDER NUMBER	TEMPERATURE RANGE	PACKAGE DESCRIPTION	COMPONENT PACKAGING
AWT6275RM20P8	-20 °C to +90 °C	RoHS Compliant 10 Pin 4 mm x 4 mm x 1.1 mm Surface Mount Module	Tape and Reel, 2500 pieces per Reel



**ANADIGICS, Inc.**  
141 Mount Bethel Road  
Warren, New Jersey 07059, U.S.A.  
Tel: +1 (908) 668-5000  
Fax: +1 (908) 668-5132

URL: <http://www.anadigics.com>  
E-mail: [Mktg@anadigics.com](mailto:Mktg@anadigics.com)

**IMPORTANT NOTICE**

ANADIGICS, Inc. reserves the right to make changes to its products or to discontinue any product at any time without notice. The product specifications contained in Advanced Product Information sheets and Preliminary Data Sheets are subject to change prior to a product's formal introduction. Information in Data Sheets have been carefully checked and are assumed to be reliable; however, ANADIGICS assumes no responsibilities for inaccuracies. ANADIGICS strongly urges customers to verify that the information they are using is current before placing orders.

**WARNING**

ANADIGICS products are not intended for use in life support appliances, devices or systems. Use of an ANADIGICS product in any such application without written consent is prohibited.