

OVERVIEW

The SM5002L series crystal oscillator module ICs fabricated in NPC's Molybdenum-gate CMOS. They comprise low-voltage low-current consumption oscillator circuits and output buffers. They incorporate built-in oscillation capacitance with superior frequency response to realize stable 3rd overtone oscillation without any external components.

FEATURES

- Oscillation frequency up to 100 MHz
- Third harmonic
- Capacitors C_G and C_D built-in
- Standby function (oscillator stops)
- 3 μ A (typ) low standby current
- Inverter amplifier feedback resistance built-in
- $\overline{\text{INH}}$ pin pull-up resistance built-in
 - $\overline{\text{INH}}= \text{L} : 2\text{M}\Omega$ typ
 - $\overline{\text{INH}}= \text{H} : 90\text{k}\Omega$ typ
- CMOS input level
- 8 mA ($V_{DD} = 3.0 \text{ V}$) output drive capability
- CMOS output duty level
- Output three-state function
- 2.7 to 3.6 V supply voltage
- Oscillator frequency output
- 8-pin SOP (SM5002L \times S)
- Chip form (CF5002L \times)

SERIES CONFIGURATION

Version	Recommended operating frequency range (MHz)	g_m (relative value)	Built-in capacitance		R_{f1} (k Ω)	C_f (pF)	Output duty level	Output current (mA)	Standby function
			C_G (pF)	C_D (pF)					
CF5002LA SM5002LAS	30 to 40	1.0	8	15	5.6	22	CMOS	8	Yes
CF5002LB SM5002LBS	40 to 50	1.5	8	15	4.7	22	CMOS	8	Yes
CF5002LC SM5002LCS	50 to 70	1.5	8	10	3.9	22	CMOS	8	Yes
CF5002LD SM5002LDS	70 to 90	2.0	8	10	3.9	22	CMOS	8	Yes
CF5002LE SM5002LES	85 to 100	2.0	8	10	2.7	22	CMOS	8	Yes
CF5002LF SM5002LFS	25 to 30	1.0	10	15	8.5	22	CMOS	8	Yes

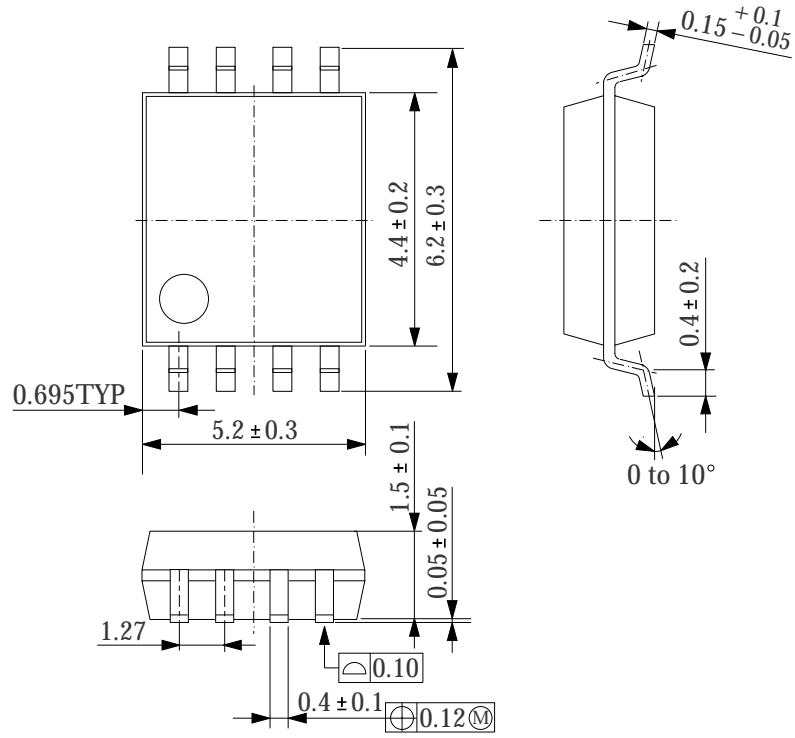
ORDERING INFORMATION

Device	Package
SM5002L \times S	8-pin SOP
CF5002L \times	Chip form

PACKAGE DIMENSIONS

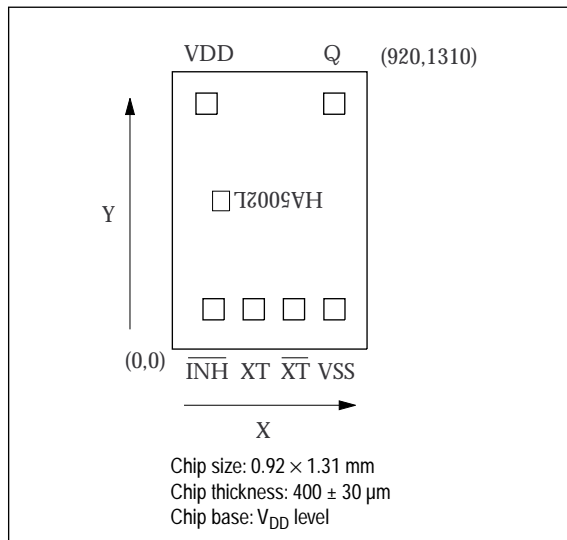
(UNIT : mm)

- 8-pin SOP



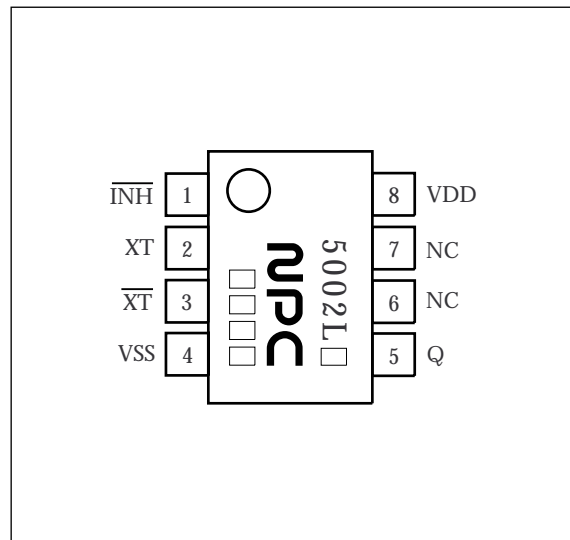
PAD LAYOUT

(Unit : μm)



PINOUT

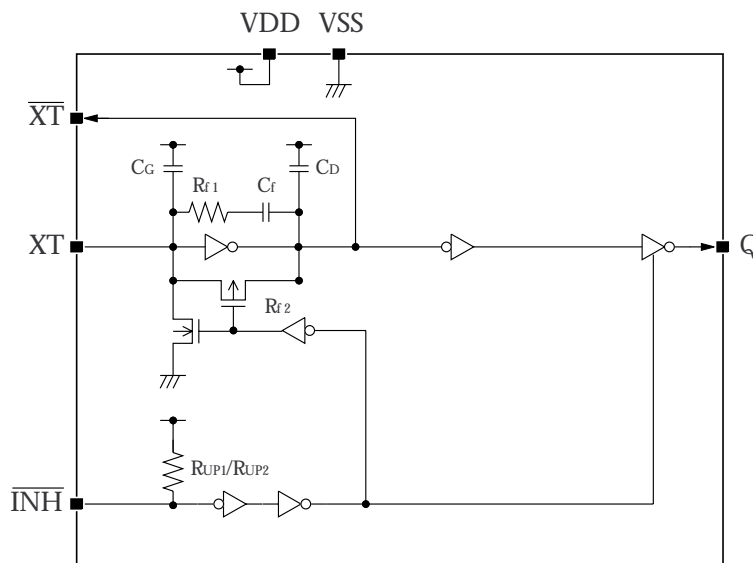
(Top View)



PIN DESCRIPTION and PAD DIMENSIONS

Number	Name	I/O	Description	Pad dimensions [μm]	
				X	Y
1	$\overline{\text{INH}}$	I	Output state control input. Oscillator stopped when LOW. Power-saving pull-up resistor built in	195	188
2	XT	I	Amplifier input.	385	188
3	$\overline{\text{XT}}$	O	Amplifier output.		
Crystal oscillator connection pins. Crystal oscillator connected between XT and $\overline{\text{XT}}$				575	188
4	VSS	-	Ground	766	188
5	Q	O	Output. Output frequency. High impedance at standby operation	765	1159
6	NC	-	No connection	-	-
7	NC	-	No connection	-	-
8	VDD	-	Supply voltage	162	1159

BLOCK DIAGRAM



SPECIFICATIONS

Absolute Maximum Ratings

$V_{SS} = 0$ V unless otherwise noted.

Parameter	Symbol	Condition	Rating	Unit
Supply voltage range	V_{DD}		-0.5 to 7.0	V
Input voltage range	V_{IN}		-0.5 to $V_{DD} + 0.5$	V
Output voltage range	V_{OUT}		-0.5 to $V_{DD} + 0.5$	V
Operating temperature range	T_{opr}		-40 to 85	°C
Storage temperature range	T_{stg1}	Chip form	-65 to 150	°C
	T_{stg2}	8-pin SOP	-40 to 125	
Output current	I_{OUT}		25	mA
Power dissipation	P_D	$T_a \leq 85^\circ\text{C}$, 8-pin SOP	200	mW
Soldering temperature	T_{sld}	8-pin SOP	255	°C
Soldering time	t_{sld}	8-pin SOP	10	s

Recommended Operating Conditions

CF5002L× series (Chip form)

$V_{SS} = 0$ V unless otherwise noted.

Parameter	Symbol	Conditions	Limits			Units
			min	typ	max	
Supply voltage	V_{DD}	$C_L \leq 15\text{pF}$, $f \leq 70$ MHz	2.7	-	3.6	V
		$C_L \leq 15\text{pF}$, $70 < f \leq 100$ MHz	3.0	-	3.6	V
		$C_L \leq 30\text{pF}$, $f \leq 70$ MHz	3.0	-	3.6	V
Input voltage	V_{IN}		V_{SS}	-	V_{DD}	V
Operating temperature	T_{OPR}		-20	-	80	°C

SM5002L×S series (8-pin SOP)

$V_{SS} = 0$ V unless otherwise noted.

Parameter	Symbol	Conditions	Limits			Units
			min	typ	max	
Supply voltage	V_{DD}	$C_L \leq 15\text{pF}$, $f \leq 50$ MHz	2.7	-	3.6	V
		$C_L \leq 15\text{pF}$, $50 < f \leq 70$ MHz	3.0	-	3.6	V
		$C_L \leq 30\text{pF}$, $f \leq 50$ MHz	3.0	-	3.6	V
Input voltage	V_{IN}		V_{SS}	-	V_{DD}	V
Operating temperature	T_{OPR}		-20	-	80	°C

SM5002L series

Electrical Characteristics

$V_{DD} = 2.7$ to 3.6 V, $V_{SS} = 0$ V, $T_a = -20$ to 80 °C, unless otherwise noted.

Parameter	Symbol	Conditions	Limits			Units	
			min	typ	max		
HIGH-level output voltage	V_{OH}	Q: Measurement cct 1, $V_{DD} = 2.7$ V, $I_{OH} = 8$ mA	2.2	2.4	–	V	
LOW-level output voltage	V_{OL}	Q: Measurement cct 2, $V_{DD} = 2.7$ V, $I_{OL} = 8$ mA	–	0.3	0.4	V	
Output leakage current	I_z	Q: Measurement cct 2, $V_{OH} = V_{DD}$ $\overline{INH} = \text{LOW}$, $V_{DD} = 3.6$ V	–	–	10	μ A	
		$V_{OL} = V_{SS}$	–	–	10	μ A	
HIGH-level input voltage	V_{IH}	\overline{INH} pin	$0.7V_{DD}$	–	–	V	
LOW-level input voltage	V_{IL}	\overline{INH} pin	–	–	$0.3V_{DD}$	V	
Current consumption	I_{DD}	$\overline{INH} = \text{open}$, Measurement cct 3, load cct 1, $V_{DD} = 3.0$ to 3.6 V	SM5002LAS, SM5002LFS CF5002LA, CF5002LF $C_L = 30$ pF, $f = 30$ MHz	–	10	18	mA
			SM5002LBS, CF5002LB $C_L = 30$ pF, $f = 50$ MHz	–	15	25	mA
			SM5002LCS, CF5002LC $C_L = 30$ pF, $f = 70$ MHz	–	20	35	mA
			SM5002LDS, SM5002LES CF5002LD, CF5002LE $C_L = 15$ pF, $f = 100$ MHz	–	25	45	mA
Standby current	I_{ST}	$\overline{INH} = \text{LOW}$, Measurement cct 3	–	3	10	μ A	
\overline{INH} pull-up resistance	R_{UP1}	Measurement cct 4, $\overline{INH} = \text{LOW}$	0.4	–	4	M Ω	
	R_{UP2}	Measurement cct 4, $\overline{INH} = 0.7V_{DD}$	50	–	150	k Ω	
AC feedback resistance	R_{f1}	Design value, determined by the internal wafer pattern	SM5002LAS, CF5002LA	4.7	5.6	6.5	k Ω
			SM5002LBS, CF5002LB	4.0	4.7	5.4	k Ω
			SM5002LCS, SM5002LDS CF5002LC, CF5002LD	3.3	3.9	4.5	k Ω
			SM5002LES, CF5002LE	2.2	2.7	3.2	k Ω
			SM5002LFS, CF5002LF	7.2	8.5	9.8	k Ω
DC feedback resistance	R_{f2}	Measurement cct 5	50	–	150	k Ω	
AC feedback capacitance	C_f	Design value, determined by the internal wafer pattern	19.8	22	24.2	pF	
Built-in capacitance	C_G	Design value, determined by the internal wafer pattern	SM5002LAS, CF5002LA SM5002LBS, CF5002LB SM5002LCS, CF5002LC SM5002LDS, CF5002LD SM5002LES, CF5002LE	7.2	8	8.8	pF
			SM5002LFS, CF5002LF	9	10	11	pF
	C_D		SM5002LAS, CF5002LA SM5002LBS, CF5002LB SM5002LFS, CF5002LF	13.5	15	16.5	pF
			SM5002LCS, CF5002LC SM5002LDS, CF5002LD SM5002LES, CF5002LE	9	10	11	pF

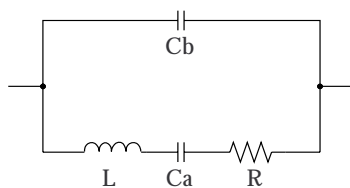
Switching Characteristics

$V_{SS} = 0\text{ V}$, $T_a = -20\text{ to }80\text{ }^\circ\text{C}$ unless otherwise noted.

Parameter	Symbol	Conditions	Limits			Units	
			min	typ	max		
Output rise time	t_{r1}	Measurement cct 3, load cct 1, $0.1V_{DD} \rightarrow 0.9V_{DD}$	$V_{DD} = 2.7\text{ to }3.6\text{ V}$, $C_L = 15\text{ pF}$	–	2	4	ns
	t_{r2}		$V_{DD} = 3.0\text{ to }3.6\text{ V}$, $C_L = 30\text{ pF}$	–	2.5	5	ns
Output fall time	t_{f1}	Measurement cct 3, load cct 1, $0.9V_{DD} \rightarrow 0.1V_{DD}$	$V_{DD} = 2.7\text{ to }3.6\text{ V}$, $C_L = 15\text{ pF}$	–	2	4	ns
	t_{f2}		$V_{DD} = 3.0\text{ to }3.6\text{ V}$, $C_L = 30\text{ pF}$	–	2.5	5	ns
Output duty cycle ¹	DUTY	Measurement cct 3, load cct 1, $T_a = 25\text{ }^\circ\text{C}$, $V_{DD} = 3.0\text{ V}$	SM5002LAS, SM5002LFS CF5002LA, CF5002LF $C_L = 30\text{ pF}$, $f = 30\text{ MHz}$	45	–	55	%
			SM5002LBS, CF5002LB $C_L = 30\text{ pF}$, $f = 50\text{ MHz}$	45	–	55	%
			SM5002LCS, CF5002LC $C_L = 30\text{ pF}$, $f = 70\text{ MHz}$	45	–	55	%
			SM5002LDS, SM5002LES $C_L = 15\text{ pF}$, $f = 100\text{ MHz}$	40	–	60	%
			CF5002LD, CF5002LE $C_L = 15\text{ pF}$, $f = 100\text{ MHz}$	45	–	55	%
Output disable delay time ²	t_{PLZ}	Measurement cct 6, $T_a = 25\text{ }^\circ\text{C}$, $V_{DD} = 2.7\text{ V}$, load $C_L \leq 15\text{ pF}$	–	–	100	ns	
Output enable delay time ²	t_{PZL}		–	–	100	ns	

1. Monitored in sample lots.
2. Oscillator stop function is built-in. When $\overline{\text{INH}}$ goes LOW, normal output stops. When $\overline{\text{INH}}$ goes HIGH, normal output is not resumed until after the oscillator start-up time has elapsed.

Current consumption and Output waveform with NPC's standard crystal



f (MHz)	R (Ω)	L (mH)	Ca (fF)	Cb (pF)
30	18.62	16.24	1.733	5.337
50	22.17	7.40	1.370	4.105
70	25.42	4.18	1.254	5.170
100	16.60	3.56	0.726	5.394

FUNCTIONAL DESCRIPTION

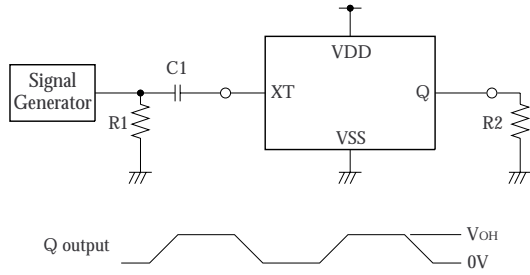
Standby Function

The oscillator stops when $\overline{\text{INH}}$ goes LOW. When the oscillator stops, the oscillator output on Q goes high impedance.

$\overline{\text{INH}}$	Q	Oscillator
HIGH (or open)	f_O output frequency	Normal operation
LOW	High impedance	Stopped

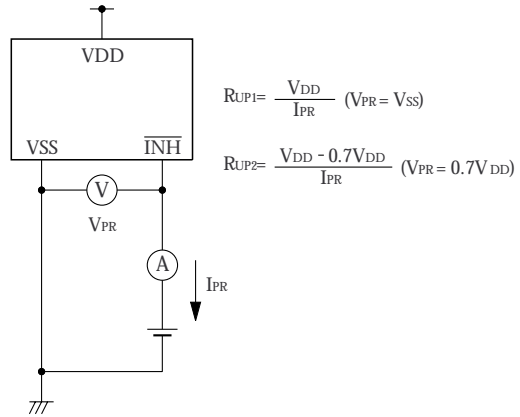
MEASUREMENT CIRCUITS

Measurement cct 1

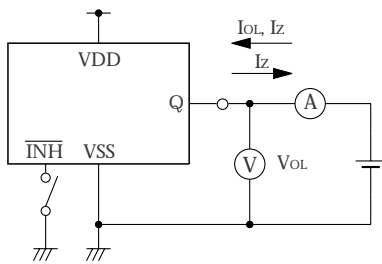


2.5V_{p-p}, 10MHz sine wave input signal
 C1 : 0.001μF
 R1 : 50Ω
 R2 : 275Ω

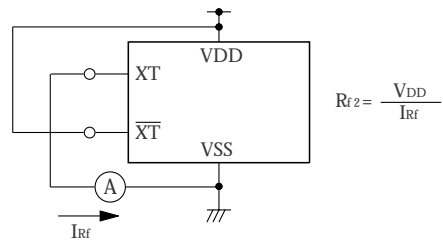
Measurement cct 4



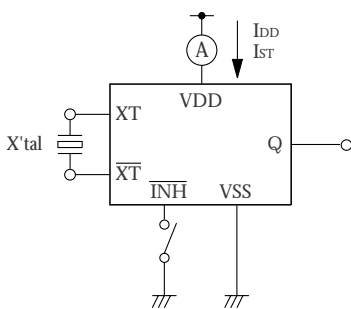
Measurement cct 2



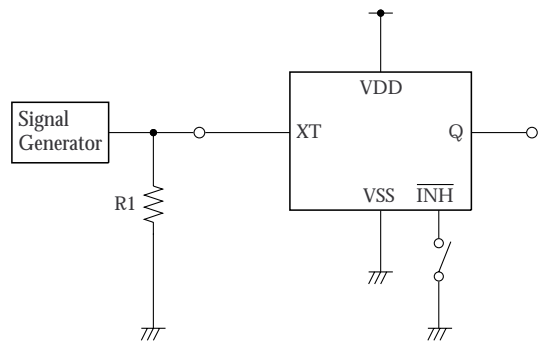
Measurement cct 5



Measurement cct 3

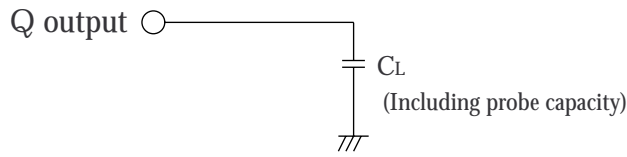


Measurement cct 6



R1 : 50Ω

Load cct 1

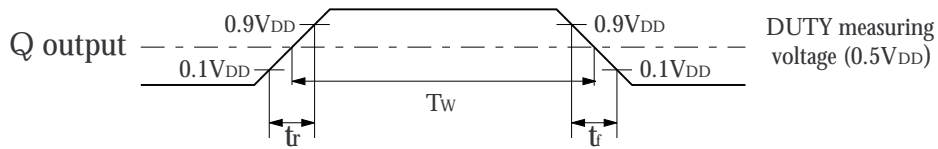


$$C_L = 15\text{pF} : t_{r1}, t_{f1} / \text{DUTY}, I_{DD} \quad (70\text{MHz} < f \leq 100\text{MHz})$$

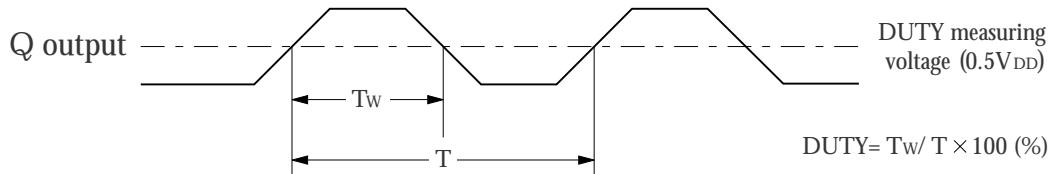
$$C_L = 30\text{pF} : t_{r2}, t_{f2} / \text{DUTY}, I_{DD} \quad (f \leq 70\text{MHz})$$

Switching Time Measurement Waveform

Output duty level (CMOS)

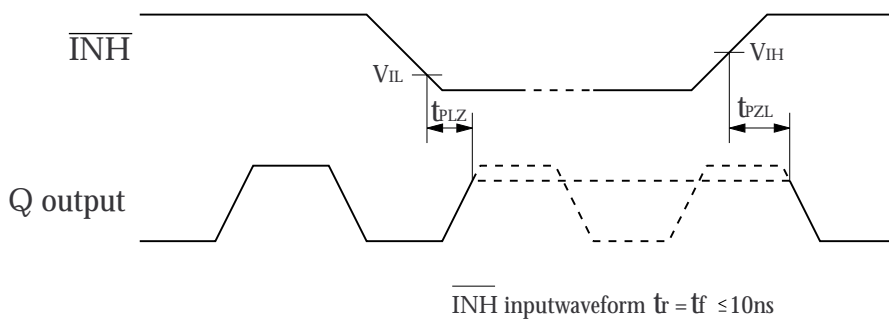


Output duty cycle (CMOS)



Output Enable/Disable Delay

The following figure shows the oscillator timing during normal operation. Note that when the device is in standby, the oscillator stops. When standby is released, the oscillator starts and stable oscillator output occurs after a short delay.



NIPPON PRECISION CIRCUITS INC. reserves the right to make changes to the products described in this data sheet in order to improve the design or performance and to supply the best possible products. Nippon Precision Circuits Inc. assumes no responsibility for the use of any circuits shown in this data sheet, conveys no license under any patent or other rights, and makes no claim that the circuits are free from patent infringement. Applications for any devices shown in this data sheet are for illustration only and Nippon Precision Circuits Inc. makes no claim or warranty that such applications will be suitable for the use specified without further testing or modification. The products described in this data sheet are not intended to use for the apparatus which influence human lives due to the failure or malfunction of the products. Customers are requested to comply with applicable laws and regulations in effect now and hereinafter, including compliance with export controls on the distribution or dissemination of the products. Customers shall not export, directly or indirectly, any products without first obtaining required licenses and approvals from appropriate government agencies.



NIPPON PRECISION CIRCUITS INC.

4-3, Fukuzumi 2-chome
Koto-ku, Tokyo 135-8430, Japan
Telephone: 03-3642-6661
Facsimile: 03-3642-6698

NC9505DE 1999.10