



M58CR032C M58CR032D

32 Mbit (2Mb x 16, Dual Bank, Burst)
1.8V Supply Flash Memory

PRELIMINARY DATA

FEATURES SUMMARY

■ SUPPLY VOLTAGE

- V_{DD} = 1.65V to 2V for Program, Erase and Read
- V_{DDQ} = 1.65V to 3.3V for I/O Buffers
- V_{PP} = 12V for fast Program (optional)

■ SYNCHRONOUS / ASYNCHRONOUS READ

- Burst mode Read: 54MHz
- Page mode Read (4 Words Page)
- Random Access: 85, 100, 120 ns

■ PROGRAMMING TIME

- 10 μ s by Word typical
- Double/Quadruple Word programming option

■ MEMORY BLOCKS

- Dual Bank Memory Array: 8/24 Mbit
- Parameter Blocks (Top or Bottom location)

■ DUAL OPERATIONS

- Read in one Bank while Program or Erase in other
- No delay between Read and Write operations

■ BLOCK LOCKING

- All blocks locked at Power up
- Any combination of blocks can be locked
- \overline{WP} for Block Lock-Down

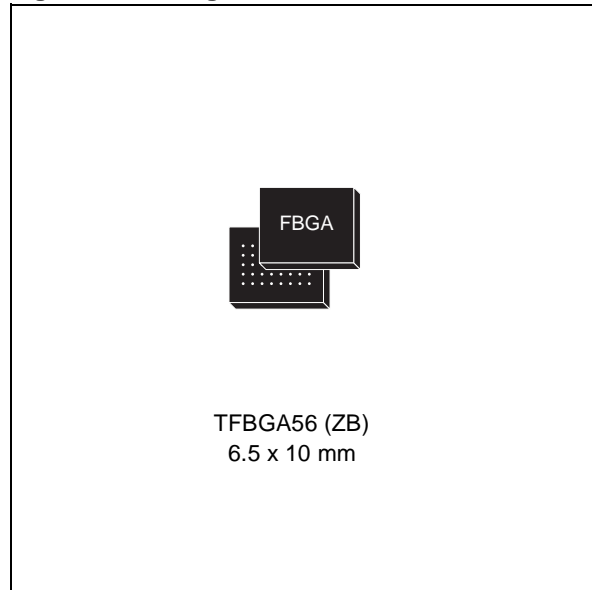
■ SECURITY

- 64 bit user programmable OTP cells
- 64 bit unique device identifier
- One parameter block permanently lockable

■ COMMON FLASH INTERFACE (CFI)

■ 100,000 PROGRAM/ERASE CYCLES per BLOCK

Figure 1. Packages



■ ELECTRONIC SIGNATURE

- Manufacturer Code: 20h
- Top Device Code, M58CR032C: 88C8h
- Bottom Device Code, M58CR032D: 88C9h

TABLE OF CONTENTS

SUMMARY DESCRIPTION 6

 Figure 2. Logic Diagram 7

 Table 1. Signal Names 7

 Figure 3. TFBGA Connections (Top view through package) 8

 Table 2. Bank Architecture 8

 Figure 4. Memory Map 9

 Figure 5. Security Block and Protection Register Memory Map 9

SIGNAL DESCRIPTIONS 10

 Address Inputs (A0-A20). 10

 Data Inputs/Outputs (DQ0-DQ15). 10

 Chip Enable (E). 10

 Output Enable (G). 10

 Write Enable (W). 10

 Write Protect (WP). 10

 Reset/Power-Down (RP). 10

 Latch Enable (L). 10

 Clock (K). 10

 Wait (WAIT). 10

 V_{DD} Supply Voltage (1.65V to 2V). 10

 V_{DDQ} Supply Voltage (1.65V to 3.3V). 10

 V_{PP} Program Supply Voltage (12V). 10

 V_{SS} and V_{SSQ} Grounds. 11

BUS OPERATIONS. 12

 Asynchronous Read. 12

 Asynchronous Page Read. 12

 Asynchronous Write. 12

 Output Disable. 12

 Standby. 12

 Reset/Power-Down. 12

 Automatic Standby. 12

 Synchronous Single Read. 12

 Synchronous Burst Read. 13

 Table 3. Bus Operations 13

 Figure 6. Synchronous Single Read Operation 14

Burst Configuration Register 15

 Read Select Bit (M15) 15

 X-Latency Bits (M13-M11). 15

 Power-Down Bit (M10). 15

 Wait Bit (M8). 15

 Burst Type Bit (M7). 15

 Valid Clock Edge Bit (M6). 15

| | |
|--|-----------|
| Wrap Burst Bit (M3) | 15 |
| Burst length Bits (M2-M0) | 15 |
| Table 4. Burst Configuration Register | 16 |
| Table 5. Burst Type Definition | 17 |
| Figure 7. X-Latency Configuration Sequence | 18 |
| Figure 8. Wait Configuration Sequence | 18 |
| COMMAND INTERFACE | 19 |
| Read Command | 19 |
| Read Status Register Command | 19 |
| Read Electronic Signature Command | 19 |
| Read CFI Query Command | 19 |
| Clear Status Register Command | 19 |
| Block Erase Command | 19 |
| Bank Erase Command | 20 |
| Program Command | 20 |
| Double Word Program Command | 20 |
| Quadruple Word Program Command | 21 |
| Program/Erase Suspend Command | 21 |
| Program/Erase Resume Command | 21 |
| Protection Register Program Command | 22 |
| Block Lock Command | 22 |
| Block Unlock Command | 22 |
| Block Lock-Down Command | 22 |
| Set Burst Configuration Register Command | 22 |
| Table 6. Commands | 23 |
| Table 7. Dual Bank Operations | 24 |
| Table 8. Read Electronic Signature | 24 |
| Table 9. Read Block Protection | 24 |
| Table 10. Read Protection Register | 25 |
| Table 11. Identifier Codes | 25 |
| Table 12. Program, Erase Times and Program, Erase Endurance Cycles | 26 |
| BLOCK LOCKING | 27 |
| Reading a Block's Lock Status | 27 |
| Locked State | 27 |
| Unlocked State | 27 |
| Lock-Down State | 27 |
| Locking Operations During Erase Suspend | 27 |
| Block Lock Status | 28 |
| Lock Status | 28 |
| STATUS REGISTER | 29 |
| Program/Erase Controller Status (Bit 7) | 29 |
| Erase Suspend Status (Bit 6) | 29 |
| Erase Status (Bit 5) | 29 |

| | |
|--|-----------|
| Program Status (Bit 4) | 29 |
| V _{PP} Status (Bit 3) | 29 |
| Program Suspend Status (Bit 2) | 29 |
| Block Protection Status (Bit 1) | 30 |
| Reserved (Bit 0) | 30 |
| Table 15. Status Register Bits | 30 |
| MAXIMUM RATING | 31 |
| Table 16. Absolute Maximum Ratings | 31 |
| DC AND AC PARAMETERS | 32 |
| Table 17. Operating and AC Measurement Conditions | 32 |
| Figure 9. AC Measurement I/O Waveform | 32 |
| Figure 10. AC Measurement Load Circuit | 32 |
| Table 18. Capacitance | 32 |
| Table 19. DC Characteristics - Currents | 33 |
| Table 20. DC Characteristics - Voltages | 34 |
| Figure 11. Asynchronous Read AC Waveforms | 35 |
| Figure 12. Asynchronous Page Read AC Waveforms | 36 |
| Table 21. Asynchronous Read AC Characteristics | 37 |
| Figure 13. Synchronous Burst Read | 38 |
| Table 22. Synchronous Burst Read AC Characteristics | 39 |
| Figure 14. Write AC Waveforms, Write Enable Controlled | 40 |
| Table 23. Write AC Characteristics, Write Enable Controlled | 41 |
| Figure 15. Write AC Waveforms, Chip Enable Controlled | 42 |
| Table 24. Write AC Characteristics, Chip Enable Controlled | 43 |
| Figure 16. Reset and Power-up AC Waveforms | 44 |
| Table 25. Reset and Power-up AC Characteristics | 44 |
| PACKAGE MECHANICAL | 45 |
| Figure 17. TFBGA56 6.5x10mm - 8x7 ball array, 0.75 mm pitch, Bottom View Package Outline | 45 |
| Table 26. TFBGA56 6.5x10mm - 8x7 ball array, 0.75 mm pitch, Package Mechanical Data | 45 |
| PART NUMBERING | 46 |
| Table 27. Ordering Information Scheme | 46 |
| REVISION HISTORY | 47 |
| Table 28. Document Revision History | 47 |
| APPENDIX A. COMMON FLASH INTERFACE | 48 |
| Table 29. Query Structure Overview | 48 |
| Table 30. CFI Query Identification String | 48 |
| Table 31. CFI Query System Interface Information | 49 |
| Table 32. Device Geometry Definition | 49 |
| Table 33. Primary Algorithm-Specific Extended Query Table | 50 |

| | |
|--|-----------|
| Table 34. Burst Read Information | 51 |
| Table 35. Security Code Area | 52 |
| APPENDIX B. FLOWCHARTS AND PSEUDO CODES..... | 53 |
| Figure 18. Program Flowchart and Pseudo Code | 53 |
| Figure 19. Double Word Program Flowchart and Pseudo code | 54 |
| Figure 20. Quadruple Word Program Flowchart and Pseudo Code | 55 |
| Figure 21. Program Suspend & Resume Flowchart and Pseudo Code | 56 |
| Figure 22. Block Erase Flowchart and Pseudo Code | 57 |
| Figure 23. Erase Suspend & Resume Flowchart and Pseudo Code..... | 58 |
| Figure 24. Locking Operations Flowchart and Pseudo Code | 59 |
| Figure 25. Protection Register Program Flowchart and Pseudo Code | 60 |
| APPENDIX C. COMMAND INTERFACE STATE TABLES | 61 |
| Table 36. Command Interface States - Lock table | 61 |
| Table 37. Command Interface States - Modify Table | 62 |

SUMMARY DESCRIPTION

The M58CR032 is a 32 Mbit (2Mbit x16) non-volatile Flash memory that may be erased electrically at block level and programmed in-system on a Word-by-Word basis using a 1.65V to 2.0V V_{DD} supply for the circuitry and a 1.65V to 3.3V V_{DDQ} supply for the Input/Output pins. An optional 12V V_{PP} power supply is provided to speed up customer programming. The V_{PP} pin can also be used as a control pin to provide absolute protection against program or erase.

The device features an asymmetrical block architecture. M58CR032 has an array of 71 blocks and is divided into two banks, Banks A and B, providing Dual Bank operations. While programming or erasing in Bank A, read operations are possible in Bank B or vice versa. Only one bank at a time is allowed to be in program or erase mode. It is possible to perform burst reads that cross bank boundaries. The bank architecture is summarized in Table 2, and the memory maps are shown in Figure 4. The Parameter Blocks are located at the top of the memory address space for the M58CR032C and at the bottom for the M58CR032D.

Each block can be erased separately. Erase can be suspended, in order to perform either read or program in any other block, and then resumed. Program can be suspended to read data in any other block and then resumed. Each block can be programmed and erased over 100,000 cycles.

Program and Erase commands are written to the Command Interface of the memory. An on-chip Program/Erase Controller takes care of the timings necessary for program and erase operations. The end of a program or erase operation can be detected and any error conditions identified in the

Status Register. The command set required to control the memory is consistent with JEDEC standards.

The device supports synchronous burst read and asynchronous read from all blocks of the memory array; at power-up the device is configured for page mode read. In synchronous burst mode, data is output on each clock cycle at frequencies of up to 54MHz.

The M58CR032 features an instant, individual block locking scheme that allows any block to be locked or unlocked with no latency, enabling instant code and data protection. All blocks have three levels of protection. They can be locked and locked-down individually preventing any accidental programming or erasure. There is an additional hardware protection against program and erase. When $V_{PP} \leq V_{PPLK}$ all blocks are protected against program or erase. All blocks are locked at Power Up.

The device includes a 128 bit Protection Register and a Security Block to increase the protection of a system's design. The Protection Register is divided into two 64 bit segments. The first segment contains a unique device number written by ST, while the second one is one-time-programmable by the user. The user programmable segment can be permanently protected. The Security Block, parameter block 0, can be permanently protected by the user. Figure 5, shows the Security Block and Protection Register Memory Map.

The memory is offered in a TFBGA56, 0.75 mm ball pitch package and is supplied with all the bits erased (set to '1').

Figure 2. Logic Diagram

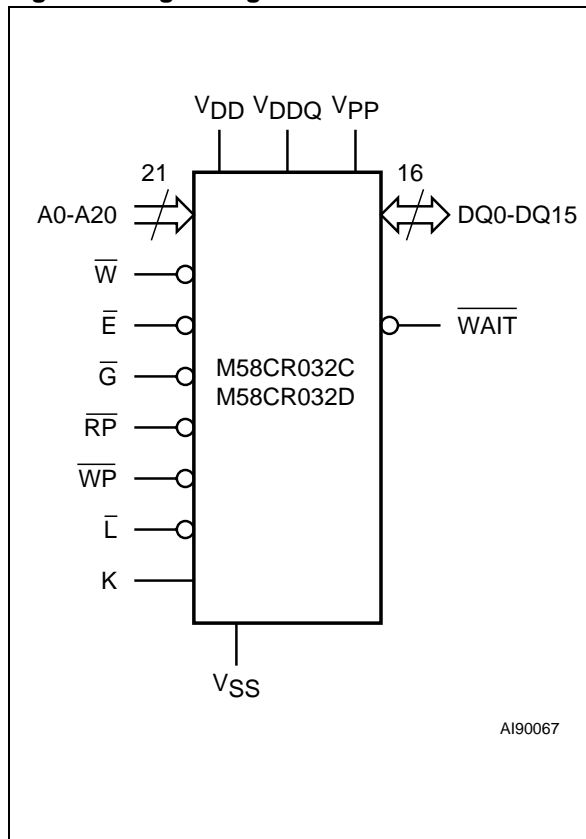


Table 1. Signal Names

| | |
|--------------------------------|--|
| A0-A20 | Address Inputs |
| DQ0-DQ15 | Data Input/Outputs or Address Inputs, Command Inputs |
| \bar{E} | Chip Enable |
| \bar{G} | Output Enable |
| \bar{W} | Write Enable |
| $\bar{R}\bar{P}$ | Reset/Power-down |
| $\bar{W}\bar{P}$ | Write Protect |
| K | Burst Clock |
| \bar{L} | Latch Enable |
| $\bar{W}\bar{A}\bar{I}\bar{T}$ | Wait Data in Burst Mode |
| V _{DD} | Supply Voltage |
| V _{DDQ} | Supply Voltage for Input/Output Buffers |
| V _{PP} | Optional Supply Voltage for Fast Program & Erase |
| V _{SS} | Ground |
| V _{SSQ} | Ground Input/Output Supply |
| NC | Not Connected Internally |

Figure 3. TFBGA Connections (Top view through package)

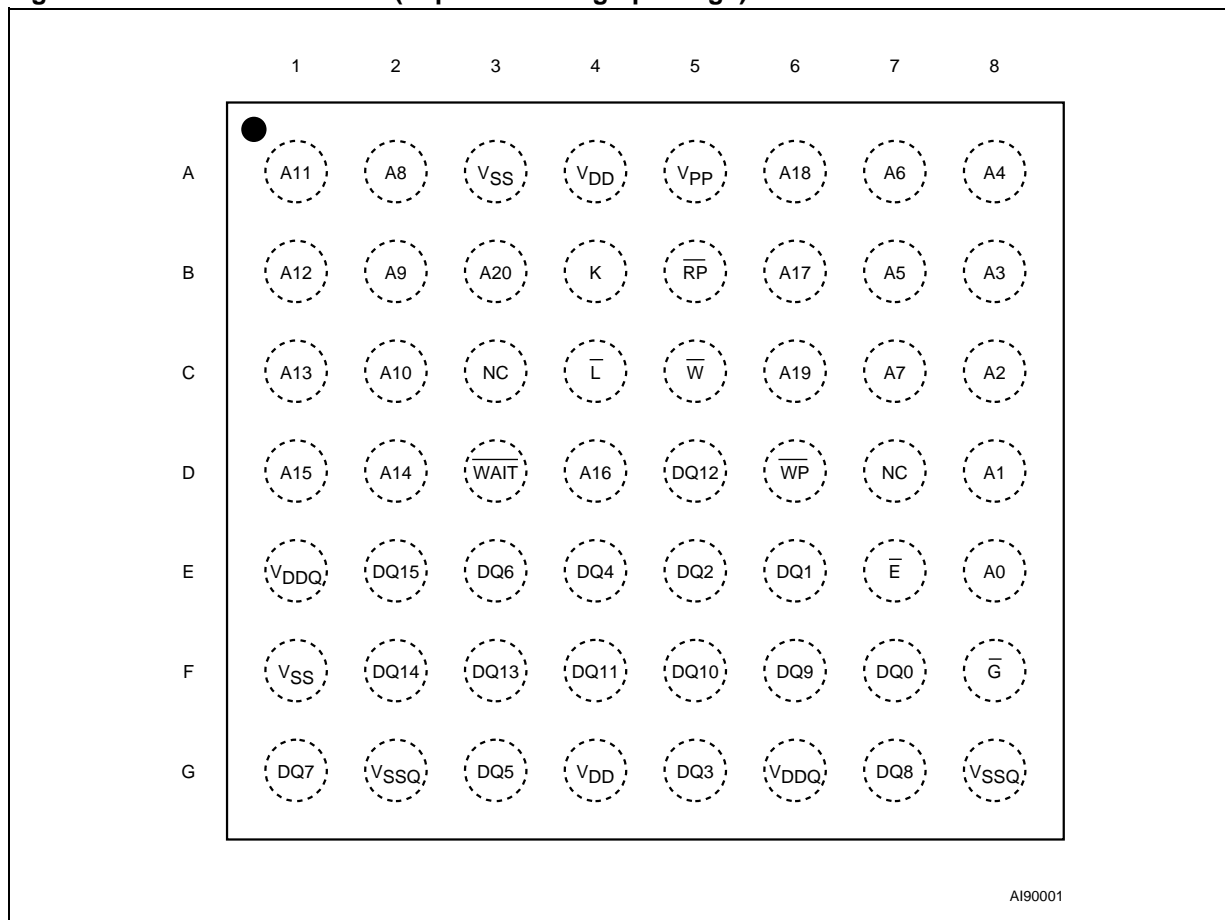


Table 2. Bank Architecture

| | Bank Size | Parameter Blocks | Main Blocks |
|--------|-----------|---------------------|-----------------------|
| Bank A | 8 Mbit | 8 blocks of 4 KWord | 15 blocks of 32 KWord |
| Bank B | 24 Mbit | - | 48 blocks of 32 KWord |

Figure 4. Memory Map

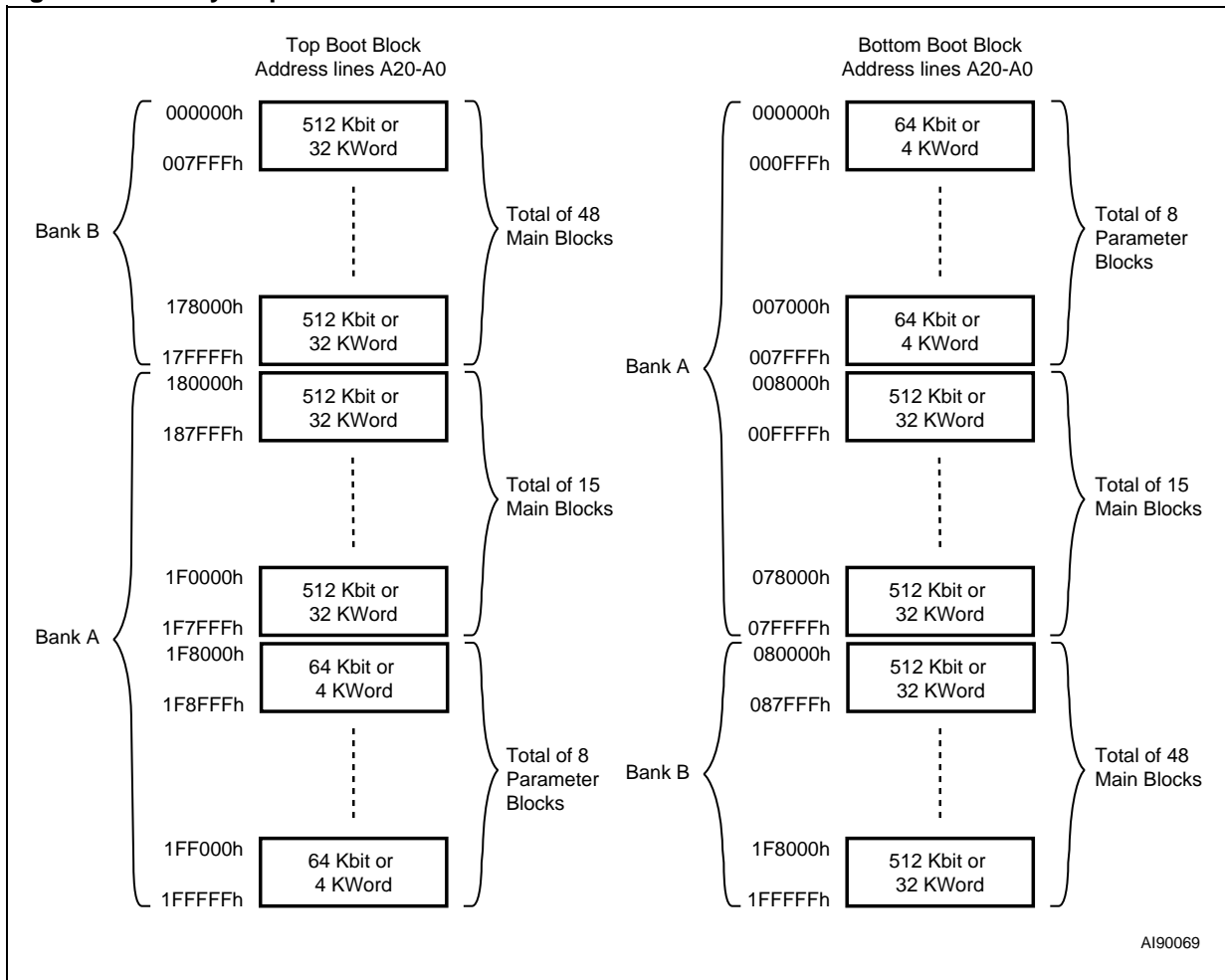
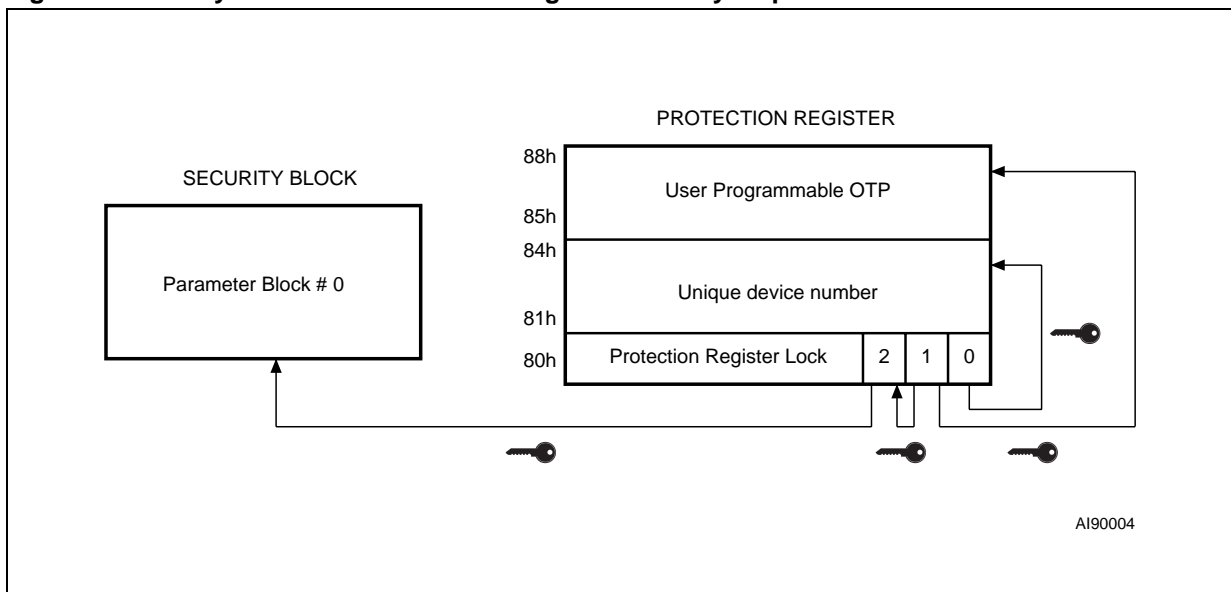


Figure 5. Security Block and Protection Register Memory Map



SIGNAL DESCRIPTIONS

See Figure 2 Logic Diagram, and Table 1, Signal Names, for a brief overview of the signals connected to this device.

Address Inputs (A0-A20). The Address Inputs select the cells in the memory array to access during Bus Read operations. During Bus Write operations they control the commands sent to the Command Interface of the internal state machine.

The address inputs for the memory array are latched on the rising edge of Latch Enable \bar{L} . The address latch is transparent when \bar{L} is at V_{IL} . In synchronous operations the address is also latched on the first rising/falling edge of K (depending on clock configuration) when \bar{L} is low. During a Write operation the address is latched on the rising edge of \bar{L} or \bar{W} , whichever occurs first.

Data Inputs/Outputs (DQ0-DQ15). The Data Inputs/Outputs output the data stored at the selected address during a Bus Read operation. During Bus Write operations they represent the commands sent to the Command Interface of the internal state machine.

Both input data and commands are latched on the rising edge of Write Enable, \bar{W} . When Chip Enable, \bar{E} , and Output Enable, \bar{G} , are at V_{IL} the data bus outputs data from the Memory Array, the Electronic Signature, Manufacturer or Device codes, the Block Protection Status, the Burst Configuration Register, the Protection Register or the Status Register. The data bus is high impedance when the chip is deselected, Output Enable, \bar{G} , is at V_{IH} , or Reset/Power-Down, \bar{RP} , is at V_{IL} .

Chip Enable (\bar{E}). The Chip Enable input activates the memory control logic, input buffers, decoders and sense amplifiers. When Chip Enable, \bar{E} , is at V_{IH} , the memory is deselected and the power consumption is reduced to the standby level. Chip Enable can also be used to control writing to the Command Interface and to the memory array, while Write Enable, \bar{W} , remains at V_{IL} .

Output Enable (\bar{G}). The Output Enable gates the outputs through the data buffers during a read operation. When Output Enable, \bar{G} , is at V_{IH} the outputs are high impedance.

Write Enable (\bar{W}). The Write Enable controls the Bus Write operation of the memory's Command Interface. Data are latched on the rising edge of Write Enable.

Write Protect (\bar{WP}). Write Protect is an input that gives an additional hardware protection for each block. When Write Protect is at V_{IL} , the Lock-Down is enabled and the protection status of the block cannot be changed. When Write Protect is at V_{IH} , the Lock-Down is disabled and the block can be locked or unlocked. (refer to Table 10, Read Protection Register).

Reset/Power-Down (\bar{RP}). The Reset/Power-Down input provides hardware reset of the memory, and/or Power-Down functions, depending on the Burst Configuration Register status. A Reset or Power-Down of the memory is achieved by pulling \bar{RP} to V_{IL} for at least t_{PLPH} . When the reset pulse is given, the memory will recover from Power-Down (when enabled) in a minimum of t_{PHEL} , t_{PHLL} or t_{PHWL} (see Table 25 and Figure 16) after the rising edge of \bar{RP} . After a Reset or Power-Up the device is configured for asynchronous page read ($M15=1$) and the power save function is disabled ($M10=0$). All blocks are locked after a Reset or Power-Down. Either Chip Enable or Write Enable must be tied to V_{IH} during Power-Up to allow maximum security and the possibility to write a command on the first rising edge of Write Enable.

Latch Enable (\bar{L}). Latch Enable latches the address bits A0-A20 on its rising edge. The address latch is transparent when \bar{L} is at V_{IL} and it is inhibited when \bar{L} is at V_{IH} .

Clock (K). The clock input synchronizes the memory to the microcontroller during burst mode read operation; the address is latched on a K edge (rising or falling, according to the configuration settings) when \bar{L} is at V_{IL} . K is don't care during asynchronous page mode read and in write operations.

Wait (\bar{WAIT}). Wait is an output signal used during burst mode read, indicating whether the data on the output bus are valid or a wait state must be inserted. This output is high impedance when Chip Enable or Output Enable are at V_{IH} or Reset/Power-Down is at V_{IL} . It can be configured to be active during the wait cycle or one clock cycle in advance.

V_{DD} Supply Voltage (1.65V to 2V). V_{DD} provides the power supply to the internal core of the memory device. It is the main power supply for all operations (Read, Program and Erase). It ranges from 1.65V to 2.0V.

V_{DDQ} Supply Voltage (1.65V to 3.3V). V_{DDQ} provides the power supply to the I/O pins and enables all Outputs to be powered independently from V_{DD} . V_{DDQ} can be tied to V_{DD} or it can use a separate supply. It can be powered either from 1.65V to 2.0V or from 1.65V to 3.3V.

V_{PP} Program Supply Voltage (12V).

V_{PP} is a power supply pin. The Supply Voltage V_{DD} and the Program Supply Voltage V_{PP} can be applied in any order. The pin can also be used as a control input.

The two functions are selected by the voltage range applied to the pin. If V_{PP} is kept in a low voltage range (0V to 2V) V_{PP} is seen as a control input. In this case a voltage lower than V_{PPLK} gives an absolute protection against program or erase,

while $V_{PP} > V_{PP1}$ enables these functions (see Table 19, DC Characteristics for the relevant values). V_{PP} is only sampled at the beginning of a program or erase; a change in its value after the operation has started does not have any effect on Program or Erase, however for Double or Quadruple Word Program the results are uncertain.

If V_{PP} is in the range 11.4V to 12.6V it acts as a power supply pin. In this condition V_{PP} must be stable until the Program/Erase algorithm is completed (see Table 16 and 17). In read mode the current sunk is less than 0.5mA, while during pro-

gram and erase operations the current may increase up to 10mA.

V_{SS} and V_{SSQ} Grounds. V_{SS} and V_{SSQ} grounds are the reference for the core supply and the input/output voltage measurements respectively.

Note: Each device in a system should have V_{DD} , V_{DDQ} and V_{PP} decoupled with a 0.1µF capacitor close to the pin. See Figure 10, AC Measurement Load Circuit. The PCB trace widths should be sufficient to carry the required V_{PP} program and erase currents.

BUS OPERATIONS

There are two types of bus operations that control the device: Asynchronous (Read, Page Read, Write, Output Disable, Standby, Automatic Standby and Reset/Power-Down) and Synchronous (Synchronous Read and Synchronous Burst Read).

The Dual Bank architecture of the M58CR032 allows read/write operations in Bank A, while read operations are being executed in Bank B or vice versa. Write operations are only allowed in one bank at a time (see Table 7).

See Table 3, Bus Operations, for a summary. Typically glitches of less than 5ns on Chip Enable or Write Enable are ignored by the memory and do not affect bus operations.

Asynchronous Read. Asynchronous Read operations read from the Memory Array, or specific registers (Electronic Signature, Status Register, CFI, Block Protection Status, Read Configuration Register status and Protection Register) in the Command Interface.

A valid Asynchronous Bus Read operation involves setting the desired address on the Address Inputs, applying a Low signal, V_{IL} , to Chip Enable and Output Enable and keeping Write Enable High, V_{IH} . The address is latched on the rising edge of the Latch, \bar{L} , input. The Data Inputs/Outputs will output the value, see Figure 11, Asynchronous Read AC Waveforms, and Table 21, Asynchronous Read AC Characteristics, for details of when the output becomes valid.

According to the device configuration the following Read operations: Electronic Signature, Status Register, CFI, Block Protection Status, Burst Configuration Register Status and Protection Register must be accessed as asynchronous read or as single synchronous read.

Asynchronous Page Read. Asynchronous Page Read operations can be used to read the content of the memory array, where data is internally read and stored in a page buffer. The page has a size of 4 words and is addressed by A0 and A1 address inputs.

Valid bus operations are the same as Asynchronous Bus Read operations but with different timings. The first read operation within the page has identical timings, subsequent reads within the same page have much shorter access times. If the page changes then the normal, longer timings apply again. See Figure 12, Asynchronous Page Read AC Waveforms and Table 21, Asynchronous Read AC Characteristics for details on when the outputs become valid.

Asynchronous Page Read is the default state of the device when exiting power-down or after power-up.

Asynchronous Write. Bus Write operations are used to write to the Command Interface of the memory or latch Input Data to be programmed. A valid Bus Write operation begins by setting the desired address on the Address Inputs and setting Chip Enable, \bar{E} , and Write Enable, \bar{W} , to V_{IL} and Output Enable to V_{IH} . Addresses are latched on the rising edge of \bar{L} , \bar{W} or \bar{E} whichever occur first. Commands and Input Data are latched on the rising edge of \bar{W} or \bar{E} whichever occurs first. Output Enable must remain High, V_{IH} , during the whole Bus Write operation. See Figures 14 and 15, Write AC Waveforms, and Tables 23 and 24, Write AC Characteristics, for details of the timing requirements.

Write operations are asynchronous and the clock is ignored during write.

Output Disable. The data outputs are high impedance when the Output Enable, \bar{G} , and Write Enable, \bar{W} , are High, V_{IH} .

Standby. When Chip Enable is High, V_{IH} , and the Program/Erase Controller is idle, the memory enters Standby mode and the Data Inputs/Outputs pins are placed in the high impedance state, independent of Output Enable, \bar{G} , or Write Enable, \bar{W} . For the Standby current level see Table 19, DC Characteristics.

Reset/Power-Down. The memory is in Power-Down when the Burst Configuration Register is set for Power-Down and \bar{RP} is at V_{IL} . The power consumption is reduced to the Power-Down level, and Outputs are in high impedance, independent of Chip Enable \bar{E} , Output Enable \bar{G} or Write Enable \bar{W} . The memory is in reset mode when the Burst Configuration Register is set for Reset and \bar{RP} is at V_{IL} . The power consumption is the same of the standby and the outputs are in high impedance. After a Reset/Power-Down the device defaults to Asynchronous Page Read, the Status Register is cleared and the Burst configuration register defaults to Asynchronous Page read.

Automatic Standby. If CMOS levels ($V_{DD} \pm 0.2V$) are used to drive the bus and the bus is inactive for 150ns or more in Read mode, the memory enters Automatic Standby where the internal Supply Current is reduced to the Standby Supply Current, I_{DD2} . The Data Inputs/Outputs will still output data if a Bus Read operation is in progress. The automatic standby feature is not available when the device is configured for synchronous burst mode.

Synchronous Single Read. Synchronous single Reads can be used to read the Electronic Signature, Status Register, CFI, Block Protection Status, Burst Configuration Register Status or

Protection Register, see Figure 6, for an example of a single synchronous read operation.

Synchronous Burst Read. The device also supports a synchronous burst read. In this mode a burst sequence is started at the first clock edge (rising or falling according to configuration settings) after the falling edge of Latch Enable. After a configurable delay of 2 to 5 clock cycles a new data is output at each clock cycle. The burst sequence may be configured to be sequential or interleaved and for a length of 4 or 8 words or for continuous burst mode (see Table 5, Burst Type

Definition). Wrap and no-wrap modes are also supported.

A $\overline{\text{WAIT}}$ signal may be asserted to indicate to the system that an output delay will occur. This delay will depend on the starting address of the burst sequence; the worst case delay will occur when the sequence is crossing a 64 word boundary and the starting address was at the end of a four word boundary. See the Burst Configuration Register command for more details on all the possible settings for the synchronous burst read (see Table 4). It is possible to perform burst read across bank boundaries (all banks in read array mode).

Table 3. Bus Operations

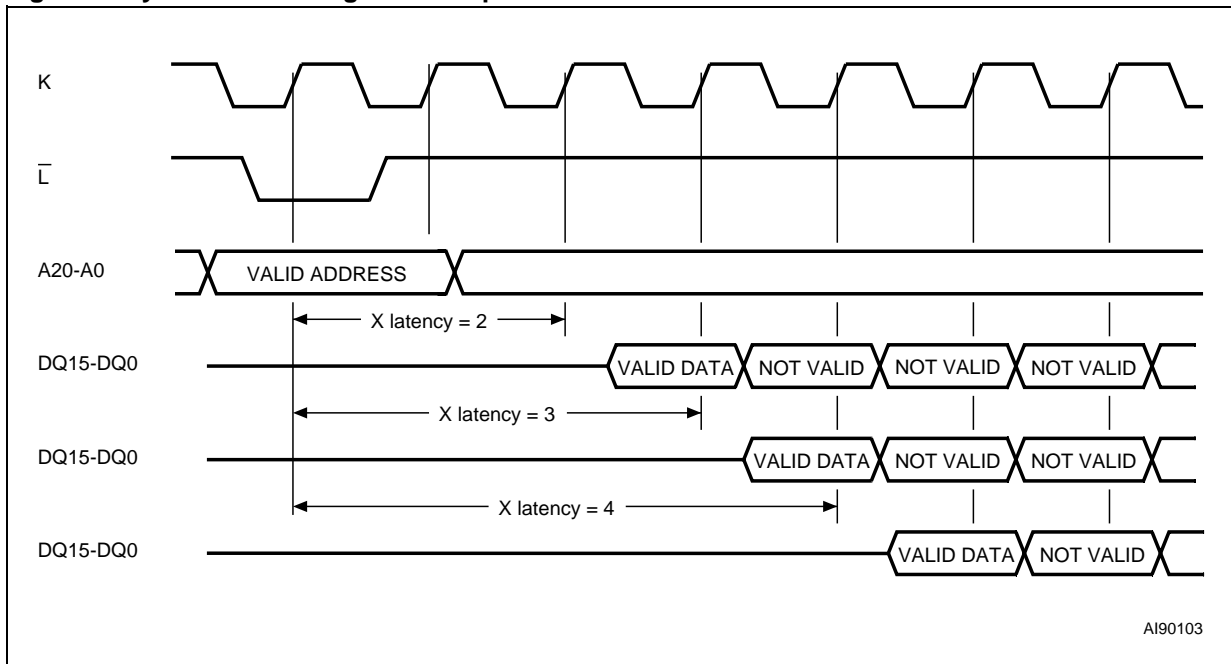
| Operation | $\overline{\text{E}}$ | $\overline{\text{G}}$ | $\overline{\text{W}}$ | $\overline{\text{L}}$ | K | $\overline{\text{RP}}$ | $\overline{\text{WP}}$ | DQ15-DQ0 |
|------------------------|-----------------------|-----------------------|-----------------------|--------------------------------|------------------|------------------------|------------------------|-------------|
| Asynchronous Read | V _{IL} | V _{IL} | V _{IH} | V _{IL} ⁽³⁾ | X | V _{IH} | X | Data Output |
| Asynchronous Page Read | V _{IL} | V _{IL} | V _{IH} | V _{IL} ⁽³⁾ | X | V _{IH} | X | Data Output |
| Asynchronous Write | V _{IL} | V _{IH} | V _{IL} | V _{IL} ⁽³⁾ | X | V _{IH} | V _{IH} | Data Input |
| Output Disable | V _{IL} | V _{IH} | V _{IH} | X | X | V _{IH} | V _{IH} | Hi-Z |
| Standby | V _{IH} | X | X | X | X | V _{IH} | X | Hi-Z |
| Reset / Power-Down | X | X | X | X | X | V _{IL} | X | Hi-Z |
| Synchronous Read | V _{IL} | V _{IL} | V _{IH} | T ⁽²⁾ | T ⁽²⁾ | V _{IH} | X | Data Output |
| Synchronous Burst Read | V _{IL} | V _{IL} | V _{IH} | T ⁽²⁾ | T ⁽²⁾ | V _{IH} | X | Data Output |

Note: 1. X = Don't care.

2. T = transition, falling edge for $\overline{\text{L}}$, rising or falling edge for K depending on M6 in the Burst Configuration Register. The burst sequence is started on the first active clock edge after the falling edge of Latch Enable.

3. $\overline{\text{L}}$ can be tied to V_{IH} if the valid address has been previously latched

Figure 6. Synchronous Single Read Operation



Burst Configuration Register

The Burst Configuration Register is used to configure the type of bus access that the memory will perform.

The Burst Configuration Register is set through the Command Interface. After a Reset or Power-Up the device is configured for asynchronous page read (M15 = 1) and the power save function is disabled (M10 = 0). The Burst Configuration Register bits are described in Table 4. They specify the selection of the burst length, burst type, burst X latency and the Read operation. Refer to Figures 7 and 8 for examples of synchronous burst configurations.

Read Select Bit (M15). The Read Select bit, M15, is used to switch between asynchronous and synchronous Bus Read operations. When the Read Select bit is set to '1', Bus Read operations are asynchronous; when the Read Select bit is set to '0', Bus Read operations are synchronous. Synchronous Burst Read is supported in both parameter and main blocks and can be performed across banks.

On reset or power-up the Read Select bit is set to '1' for asynchronous access.

X-Latency Bits (M13-M11). The X-Latency bits are used during Synchronous Bus Read operations to set the number of clock cycles between the address being latched and the first data becoming available. For correct operation the X-Latency bits can only assume the values in Table 4, Burst Configuration Register.

The correspondence between X-Latency settings and the maximum sustainable frequency must be calculated taking into account some system parameters.

Two conditions must be satisfied:

- $(n + 1) t_K \geq t_{ACC} - t_{AVK_CPU} + t_{QVK_CPU}$
- $t_K > t_{KQV} + t_{QVK_CPU}$

where "n" is the chosen X-Latency configuration code, t_K is the clock period, t_{AVK_CPU} is Clock to Address Valid, L Low or E Low, whichever occurs last, and t_{QVK_CPU} is the data setup time required by the system CPU.

Power-Down Bit (M10). The Power-Down bit is used to enable or disable the power-down function. When the Power-Down bit is set to '0' (default) the power-down function is disabled. When the Power-Down bit is set to '1' power-down is enabled and the device goes into the power-down state where the I_{DD} supply current is reduced to a typical figure of I_{DD2} .

if this function is disabled the Reset/Power-Down, \overline{RP} , pin causes only a reset of the device and the supply current is the standby value. The recovery time after a Reset/Power-Down, \overline{RP} , pulse is sig-

nificantly longer when power-down is enabled (see Table 25).

Wait Bit (M8). In burst mode the Wait bit controls the timing of the Wait output pin, \overline{WAIT} . When the Wait bit is '0' the Wait output pin is asserted during the wait state. When the Wait bit is '1' (default) the Wait output pin is asserted one clock cycle before the wait state.

\overline{WAIT} is asserted during a continuous burst and also during a 4 or 8 burst length if no-wrap configuration is selected. \overline{WAIT} is not asserted during asynchronous reads, single synchronous reads or during latency in synchronous reads.

Burst Type Bit (M7). The Burst Type bit is used to configure the sequence of addresses read as sequential or interleaved. When the Burst Type bit is '0' the memory outputs from interleaved addresses; when the Burst Type bit is '1' (default) the memory outputs from sequential addresses. See Tables 5, Burst Type Definition, for the sequence of addresses output from a given starting address in each mode.

Valid Clock Edge Bit (M6). The Valid Clock Edge bit, M6, is used to configure the active edge of the Clock, K, during Synchronous Burst Read operations. When the Valid Clock Edge bit is '0' the falling edge of the Clock is the active edge; when the Valid Clock Edge bit is '1' the rising edge of the Clock is active.

Wrap Burst Bit (M3). The burst reads can be confined inside the 4 or 8 Double-Word boundary (wrap) or overcome the boundary (no wrap). The Wrap Burst bit is used to select between wrap and no wrap. When the Wrap Burst bit is set to '0' the burst read wraps; when it is set to '1' the burst read does not wrap.

Burst length Bits (M2-M0). The Burst Length bits set the number of Words to be output during a Synchronous Burst Read operation; 4 words, 8 words or continuous burst, where all the words are read sequentially.

In continuous burst mode the burst sequence can cross bank boundaries.

In continuous burst mode or in 4, 8 words no-wrap, depending on the starting address, the device activates the \overline{WAIT} output to indicate that a delay is necessary before the data is output.

If the starting address is aligned to a 4 word boundary no wait states are needed and the \overline{WAIT} output is not activated.

If the starting address is shifted by 1, 2 or 3 positions from the four word boundary, \overline{WAIT} will be asserted for 1, 2 or 3 clock cycles when the burst sequence crosses the first 64 word boundary, to indicate that the device needs an internal delay to read the successive words in the array. \overline{WAIT} will

M58CR032C, M58CR032D

be asserted only once during a continuous burst access. See also Table 5, Burst Type Definition.

M14, M9, M5 and **M4** are reserved for future use.

Table 4. Burst Configuration Register

| Bit | Description | Value | Description |
|---------|---------------------------|-------------------------------|---|
| M15 | Read Select | 0 | Synchronous Burst Read |
| | | 1 | Asynchronous Page Read (Default at power-on) |
| M14 | | | Reserved |
| M13-M11 | X-Latency ⁽²⁾ | 010 | 2 clock latency |
| | | 011 | 3 clock latency |
| | | 100 | 4 clock latency |
| | | 101 | 5 clock latency |
| | | 111 | Reserved |
| | | Other configurations reserved | |
| M10 | Power-Down ⁽³⁾ | 0 | Power-Down disabled |
| | | 1 | Power-Down enabled |
| M9 | | | Reserved |
| M8 | Wait | 0 | $\overline{\text{WAIT}}$ is active during wait state |
| | | 1 | $\overline{\text{WAIT}}$ is active one data cycle before wait state (default) |
| M7 | Burst Type | 0 | Interleaved |
| | | 1 | Sequential (default) |
| M6 | Valid Clock Edge | 0 | Falling Burst Clock edge |
| | | 1 | Rising Burst Clock edge |
| M5-M4 | | | Reserved |
| M3 | Wrapping | 0 | Wrap |
| | | 1 | No wrap |
| M2-M0 | Burst Length | 001 | 4 words |
| | | 010 | 8 words |
| | | 111 | Continuous (M7 must be set to '1') |

Table 5. Burst Type Definition

| Mode | Start Address | 4 Words | | 8 Words | | Continuous Burst |
|---------|----------------------------|--|-------------------------------|-----------------------------------|-------------------------------|-----------------------------|
| | | Sequential | Interleaved | Sequential | Interleaved | |
| Wrap | 0 | 0-1-2-3 | 0-1-2-3 | 0-1-2-3-4-5-6-7 | 0-1-2-3-4-5-6-7 | 0-1-2-3-4-5-6... |
| | 1 | 1-2-3-0 | 1-0-3-2 | 1-2-3-4-5-6-7-0 | 1-0-3-2-5-4-7-6 | 1-2-3-4-5-6-7... |
| | 2 | 2-3-0-1 | 2-3-0-1 | 2-3-4-5-6-7-0-1 | 2-3-0-1-6-7-4-5 | 2-3-4-5-6-7-8... |
| | 3 | 3-0-1-2 | 3-2-1-0 | 3-4-5-6-7-0-1-2 | 3-2-1-0-7-6-5-4 | 3-4-5-6-7-8-9... |
| | ... | | | | | |
| | 7 | 7-4-5-6 | 7-6-5-4 | 7-0-1-2-3-4-5-6 | 7-6-5-4-3-2-1-0 | 7-8-9-10-11-12-13... |
| | ... | | | | | |
| | 60 | | | | | 60-61-62-63-64-65-66... |
| | 61 | | | | | 61-62-63-WAIT-64-65-66... |
| | 62 | | | | | 62-63-WAIT-WAIT-64-65-66... |
| 63 | | | | | 63-WAIT-WAIT-WAIT-64-65-66... | |
| | | Sequential | Interleaved | Sequential | Interleaved | |
| No-wrap | 0 | 0-1-2-3 | | 0-1-2-3-4-5-6-7 | | 0-1-2-3-4-5-6... |
| | 1 | 1-2-3-4 | | 1-2-3-4-5-6-7-8 | | 1-2-3-4-5-6-7... |
| | 2 | 2-3-4-5 | | 2-3-4-5-6-7-8-9... | | 2-3-4-5-6-7-8... |
| | 3 | 3-4-5-6 | | 3-4-5-6-7-8-9-10 | | 3-4-5-6-7-8-9... |
| | ... | | | | | |
| | 7 | 7-8-9-10 | | 7-8-9-10-11-12-13-14 | | 7-8-9-10-11-12-13... |
| | ... | | | | | |
| | 60 | 60-61-62-63 | | 60-61-62-63-64-65-66-67 | | 60-61-62-63-64-65-66... |
| | 61 | 61-62-63-WAIT-64 | | 61-62-63-WAIT-64-65-66-67-68 | | 61-62-63-WAIT-64-65-66... |
| | 62 | 62-63-WAIT-WAIT-64-65 | | 62-63-WAIT-WAIT-64-65-66-67-68-69 | | 62-63-WAIT-WAIT-64-65-66... |
| 63 | 63-WAIT-WAIT-WAIT-64-65-66 | 63-WAIT-WAIT-WAIT-64-65-66-67-68-69-70 | 63-WAIT-WAIT-WAIT-64-65-66... | | | |

Figure 7. X-Latency Configuration Sequence

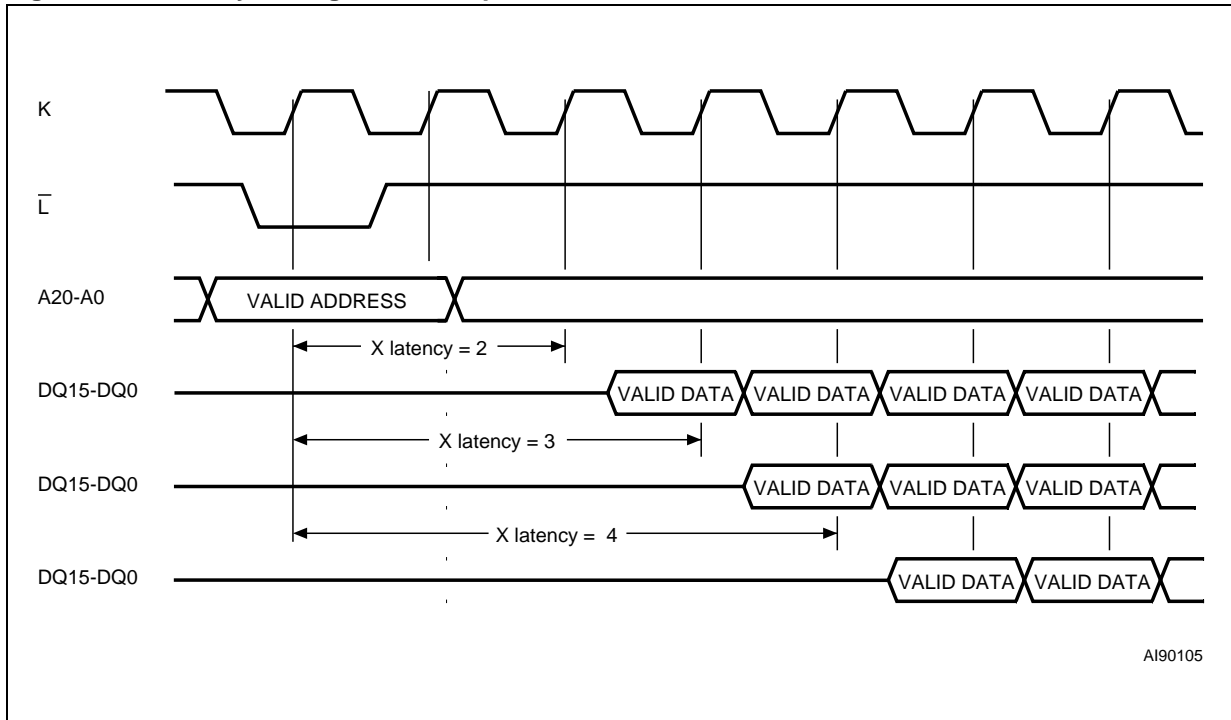
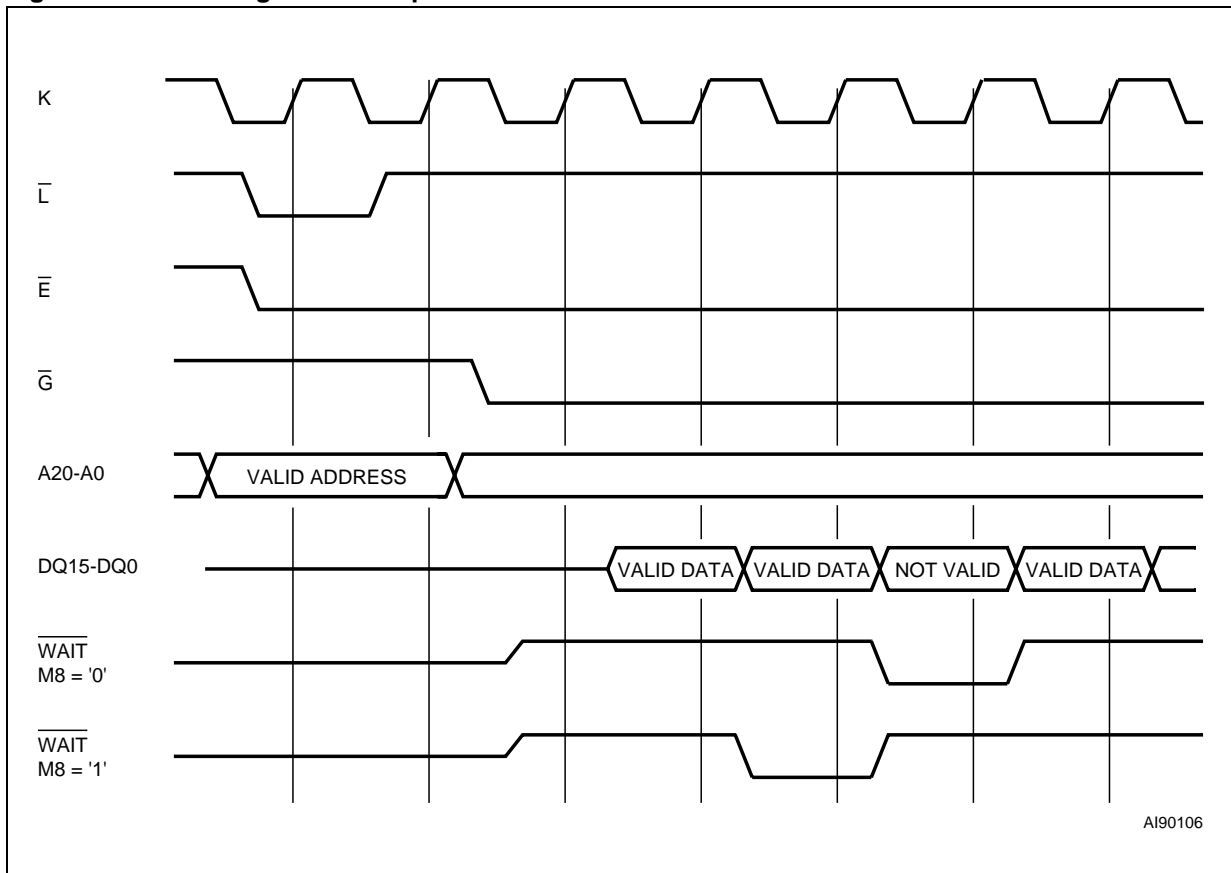


Figure 8. Wait Configuration Sequence



COMMAND INTERFACE

All Bus Write operations to the memory are interpreted by the Command Interface. Commands consist of one or more sequential Bus Write operations. An internal Program/Erase Controller handles all timings and verifies the correct execution of the Program and Erase commands. The Program/Erase Controller provides a Status Register whose output may be read at any time during, to monitor the progress of the operation, or the Program/Erase states. See Appendix C, Tables 36 and 37, Command Interface States - Lock and Modify Tables, for a summary of the Command Interface.

The Command Interface is reset to Read mode when power is first applied, when exiting from Reset or whenever V_{DD} is lower than V_{LKO} . Command sequences must be followed exactly. Any invalid combination of commands will reset the device to Read mode. Refer to Table 6, Commands, in conjunction with the text descriptions below.

Read Command.

The Read command returns the addressed bank to Read mode. One Bus Write cycle is required to issue the Read command and return the addressed Bank to Read mode. Subsequent read operations will read the addressed location and output the data. A Read command can be issued in one bank while programming or erasing in the other bank. However if a Read command is issued to a bank currently executing a program or erase operation the command will be ignored.

When a device Reset occurs, the memory defaults to Read mode.

Read Status Register Command

A bank's Status Register indicates when a program or erase operation is complete and the success or failure of operation itself. Issue a Read Status Register command to read the Status Register content of the addressed bank. The status of the other bank is not affected by the command. The Read Status Register command can be issued at any time, even during program or erase operations.

The following Read operations output the content of the Status Register of the addressed bank. The Status Register is latched on the falling edge of \bar{E} or \bar{G} signals, and can be read until \bar{E} or \bar{G} returns to V_{IH} . Either \bar{E} or \bar{G} must be toggled to update the latched data. See Table 15 for the description of the Status Register Bits. This mode supports asynchronous or single synchronous reads only.

Read Electronic Signature Command

The Read Electronic Signature command reads the Manufacturer and Device Codes and the Block Locking Status, or the Protection Register.

The Read Electronic Signature command consists of one write cycle to an address within the bottom bank. A subsequent read operation in the address of the bottom bank will output the Manufacturer Code, the Device Code, the protection Status of Blocks of the bottom bank, the Die Revision Code, the Protection Register, or the Read Configuration Register (see Table 11).

If the first write cycle of Read Electronic Signature command is issued to an address within the top bank, a subsequent read operation in an address of the top bank will output the protection Status of blocks of the top bank. The status of the other bank is not affected by the command (see Table 7). This mode supports asynchronous or single synchronous reads only.

See Tables 8, 9, 10 and 11 for the valid addresses.

Read CFI Query Command

The Read CFI Query Command is used to read data from the Common Flash Interface (CFI) Memory Area, located in the bottom bank. One Bus Write cycle, addressed to the bottom bank, is required to issue the Read Query Command. Once the command is issued subsequent Bus Read operations in the bottom bank read from the Common Flash Interface Memory Area. The status of the top bank is not affected by the command (see Table 7). After issuing a Read CFI Query command, a Read command should be issued to return the bank to read mode.

See Appendix B, Common Flash Interface, Tables 29, 30, 31, 32, 33, 34 and 35 for details on the information contained in the Common Flash Interface memory area.

Clear Status Register Command

The Clear Status Register command can be used to reset (set to '0') bits 1, 3, 4 and 5 in the Status Register of the addressed bank'. One bus write cycle is required to issue the Clear Status Register command. After the Clear Status Register command the bank returns to read mode.

The bits in the Status Register do not automatically return to '0' when a new Program or Erase command is issued. The error bits in the Status Register should be cleared before attempting a new Program or Erase command.

Block Erase Command

The Block Erase command can be used to erase a block. It sets all the bits within the selected block to '1'. All previous data in the block is lost. If the block is protected then the Erase operation will abort, the data in the block will not be changed and the Status Register will output the error. It is not necessary to pre-program the block as the Pro-

gram/Erase Controller does it automatically before erasing.

Two Bus Write cycles are required to issue the command.

- The first bus cycle sets up the Erase command.
- The second latches the block address in the internal state machine and starts the Program/Erase Controller.

If the second bus cycle is not Write Erase Confirm (D0h), Status Register bits b4 and b5 are set and the command aborts. Erase aborts if Reset turns to V_{IL} . As data integrity cannot be guaranteed when the Erase operation is aborted, the block must be erased again.

Once the command is issued the device outputs the Status Register data when any address within the bank is read. At the end of the operation the bank will remain in Read Status Register until a Read command is issued.

During Erase operations the bank containing the block being erased will only accept the Read Status Register command and the Program/Erase Suspend command, all other commands will be ignored. Typical Erase times are given in Table 12, Program, Erase Times and Program/Erase Endurance Cycles.

See Appendix B, Figure 22, Block Erase Flowchart and Pseudo Code, for a suggested flowchart for using the Block Erase command.

Bank Erase Command

The Bank Erase command can be used to erase a bank. It sets all the bits within the selected bank to '1'. All previous data in the bank is lost. The Bank Erase command will ignore any protected blocks within the bank. If the bank is protected then the Erase operation will abort, the data in the bank will not be changed and the Status Register will output the error.

Two Bus Write cycles are required to issue the command.

- The first bus cycle sets up the Bank Erase command.
- The second latches the bank address in the internal state machine and starts the Program/Erase Controller.

If the second bus cycle is not Write Bank Erase Confirm (D0h), Status Register bits b4 and b5 are set and the command aborts. Erase aborts if Reset turns to V_{IL} . As data integrity cannot be guaranteed when the Erase operation is aborted, the bank must be erased again.

Once the command is issued the device outputs the Status Register data when any address within the bank is read. At the end of the operation the

bank will remain in Read Status Register until a Read command is issued.

During Erase operations the bank being erased will only accept the Read Status Register command and the Program/Erase Suspend command, all other commands will be ignored. Typical Erase times are given in Table 12, Program, Erase Times and Program/Erase Endurance Cycles.

Program Command

The memory array can be programmed word-by-word. Only one bank can be programmed at any one time. The other bank must be in Read mode or Erase Suspend. Two bus write cycles are required to issue the Program Command.

- The first bus cycle sets up the Program command.
- The second latches the Address and the Data to be written and starts the Program/Erase Controller.

After programming has started, Read operations in the bank being programmed output the Status Register content.

During Program operations the bank being programmed will only accept the Read Status Register command and the Program/Erase Suspend command. Typical Program times are given in Table 12, Program, Erase Times and Program/Erase Endurance Cycles.

Programming aborts if Reset goes to V_{IL} . As data integrity cannot be guaranteed when the program operation is aborted, the block containing the memory location must be erased and reprogrammed.

See Appendix B, Figure 18, Program Flowchart and Pseudo Code, for the flowchart for using the Program command.

Double Word Program Command

This feature is offered to improve the programming throughput, writing a page of two adjacent words in parallel. The two words must differ only for the address A0. Only one bank can be programmed at any one time. The other bank must be in Read mode or Erase Suspend.

Programming should not be attempted when V_{PP} is not at V_{PPH} . The command can be executed if V_{PP} is below V_{PPH} but the result is not guaranteed.

Three bus write cycles are necessary to issue the Double Word Program command.

- The first bus cycle sets up the Double Word Program Command.
- The second bus cycle latches the Address and the Data of the first word to be written.
- The third bus cycle latches the Address and the Data of the second word to be written and starts the Program/Erase Controller.

Read operations in the bank being programmed output the Status Register content after the programming has started.

During Double Word Program operations the bank being programmed will only accept the Read Status Register command and the Program/Erase Suspend command. Typical Program times are given in Table 12, Program, Erase Times and Program/Erase Endurance Cycles.

Programming aborts if Reset goes to V_{IL} . As data integrity cannot be guaranteed when the program operation is aborted, the block containing the memory location must be erased and reprogrammed.

See Appendix B, Figure 19, Double Word Program Flowchart and Pseudo Code, for the flowchart for using the Double Word Program command.

Quadruple Word Program Command

This feature is offered to improve the programming throughput, writing a page of four adjacent words in parallel. The four words must differ only for the addresses A0 and A1. The first write cycle must be addressed to the bank to be programmed.

Only one bank can be programmed at any one time. The other bank must be in Read mode or Erase Suspend.

Programming should not be attempted when V_{PP} is not at V_{PPH} . The command can be executed if V_{PP} is below V_{PPH} but the result is not guaranteed.

Five bus write cycles are necessary to issue the Quadruple Word Program command.

- The first bus cycle sets up the Double Word Program Command.
- The second bus cycle latches the Address and the Data of the first word to be written.
- The third bus cycle latches the Address and the Data of the second word to be written.
- The fourth bus cycle latches the Address and the Data of the third word to be written.
- The fifth bus cycle latches the Address and the Data of the fourth word to be written and starts the Program/Erase Controller.

Read operations to the bank being programmed output the Status Register content after the programming has started.

Programming aborts if Reset goes to V_{IL} . As data integrity cannot be guaranteed when the program operation is aborted, the block containing the memory location must be erased and reprogrammed.

During Quadruple Word Program operations the bank being programmed will only accept the Read Status Register command and the Program/Erase Suspend command. Typical Program times are

given in Table 12, Program, Erase Times and Program/Erase Endurance Cycles.

See Appendix B, Figure 20, Quadruple Word Program Flowchart and Pseudo Code, for the flowchart for using the Quadruple Word Program command.

Program/Erase Suspend Command

The Program/Erase Suspend command is used to pause a Program or Erase operation. One bus write cycle is required to issue the Program/Erase command and pause the Program/Erase controller. The command must be addressed to the bank containing the program or erase operation.

During Program/Erase Suspend the Command Interface will accept the Program/Erase Resume, Read, Read Status Register, Read Electronic Signature and Read CFI Query commands. Additionally, if the suspend operation was Erase then the Program, Block Lock, Block Lock-Down or Protection Program commands will also be accepted. The block being erased may be protected by issuing the Block Lock, Block Lock-Down or Protection Program commands. Only the blocks not being erased may be read or programmed correctly. When the Program/Erase Resume command is issued the operation will complete.

During a Program/Erase Suspend, the device can be placed in a pseudo-standby mode by taking Chip Enable to V_{IH} . Program/Erase is aborted if Reset turns to V_{IL} .

See Appendix B, Figure 21, Program Suspend & Resume Flowchart and Pseudo Code, and Figure 23, Erase Suspend & Resume Flowchart and Pseudo Code for flowcharts for using the Program/Erase Suspend command.

Program/Erase Resume Command

The Program/Erase Resume command can be used to restart the Program/Erase Controller after a Program/Erase Suspend command has paused it. One Bus Write cycle is required to issue the command. The command must be addressed to the bank containing the program or erase operation. Once the command is issued subsequent Bus Read operations read the Status Register.

If a Program command is issued during a Block Erase Suspend, then the erase cannot be resumed until the programming operation has completed. It is possible to accumulate suspend operations. For example: suspend an erase operation, start a programming operation, suspend the programming operation then read the array. See Appendix B, Figure 21, Program Suspend & Resume Flowchart and Pseudo Code, and Figure 23, Erase Suspend & Resume Flowchart and Pseudo Code for flowcharts for using the Program/Erase Resume command.

Protection Register Program Command

The Protection Register Program command is used to Program the 64 bit user One-Time-Programmable (OTP) segment of the Protection Register. The segment is programmed 16 bits at a time. When shipped all bits in the segment are set to '1'. The user can only program the bits to '0'.

Two write cycles are required to issue the Protection Register Program command.

- The first bus cycle sets up the Protection Register Program command.
- The second latches the Address and the Data to be written to the Protection Register and starts the Program/Erase Controller.

Read operations output the Status Register content after the programming has started.

The segment can be protected by programming bit 1 of the Protection Lock Register. Bit 1 of the Protection Lock Register protects bit 2 of the Protection Lock Register. Programming bit 2 of the Protection Lock Register will result in a permanent protection of the Security Block (see Figure 5, Security Block and Protection Register Memory Map). Attempting to program a previously protected Protection Register will result in a Status Register error. The protection of the Protection Register and/or the Security Block is not reversible.

The Protection Register Program cannot be suspended. See Appendix B, Figure 25, Protection Register Program Flowchart and Pseudo Code, for a flowchart for using the Protection Register Program command.

Block Lock Command

The Block Lock command is used to lock a block and prevent Program or Erase operations from changing the data in it. All blocks are locked at power-up or reset.

Two Bus Write cycles are required to issue the Block Lock command.

- The first bus cycle sets up the Block Lock command.
- The second Bus Write cycle latches the block address.

The lock status can be monitored for each block using the Read Electronic Signature command. Table. 14 shows the Lock Status after issuing a Block Lock command.

The Block Lock bits are volatile, once set they remain set until a hardware reset or power-down/power-up. They are cleared by a Blocks Unlock command. Refer to the section, Block Locking, for a detailed explanation. See Appendix B, Figure 24, Locking Operations Flowchart and Pseudo Code, for a flowchart for using the Lock command.

Block Unlock Command

The Blocks Unlock command is used to unlock a block, allowing the block to be programmed or erased. Two Bus Write cycles are required to issue the Blocks Unlock command.

- The first bus cycle sets up the Block Unlock command.
- The second Bus Write cycle latches the block address.

The lock status can be monitored for each block using the Read Electronic Signature command. Table. 13 shows the protection status after issuing a Block Unlock command. Refer to the section, Block Locking, for a detailed explanation and Appendix B, Figure 24, Locking Operations Flowchart and Pseudo Code, for a flowchart for using the Unlock command.

Block Lock-Down Command

A locked block cannot be Programmed or Erased, or have its protection status changed when \overline{WP} is low, V_{IL} . When \overline{WP} is high, V_{IH} , the Lock-Down function is disabled and the locked blocks can be individually unlocked by the Block Unlock command.

Two Bus Write cycles are required to issue the Block Lock-Down command.

- The first bus cycle sets up the Block Lock command.
- The second Bus Write cycle latches the block address.

The lock status can be monitored for each block using the Read Electronic Signature command. Locked-Down blocks revert to the locked (and not locked-down) state when the device is reset on power-down. Table. 14 shows the Lock Status after issuing a Block Lock-Down command. Refer to the section, Block Locking, for a detailed explanation and Appendix B, Figure 24, Locking Operations Flowchart and Pseudo Code, for a flowchart for using the Lock-Down command.

Set Burst Configuration Register Command.

The Set Burst Configuration Register command is used to write a new value to the Burst Configuration Control Register which defines the burst length, type, X latency, Synchronous/Asynchronous Read mode and the valid Clock edge configuration.

Two Bus Write cycles are required to issue the Set Burst Configuration Register command. The first cycle writes the setup command and the address corresponding to the Set Burst Configuration Register content. The second cycle writes the Burst Configuration Register data and the confirm command. Once the command is issued the memory returns to Read mode as if a Read Memory Array command had been issued.

The value for the Burst Configuration Register is always presented on A0-A15. M0 is on A0, M1 on A1, etc.; the other address bits are ignored.

Table 6. Commands

| Commands | Cycles | Bus Write Operations | | | | | | | | | | | | | | |
|---------------------------------------|--------|----------------------|------|------------|-----------|--------------------|------|-----------|-----|------|-----------|-----|------|-----------|-----|------|
| | | 1st Cycle | | | 2nd Cycle | | | 3rd Cycle | | | 4th Cycle | | | 5th Cycle | | |
| | | Op. | Add | Data | Op. | Add | Data | Op. | Add | Data | Op. | Add | Data | Op. | Add | Data |
| Read Memory Array | 1+ | Write | BKA | FFh | Read | RA | RD | | | | | | | | | |
| Read Status Register | 1+ | Write | BKA | 70h | Read | BKA | SRD | | | | | | | | | |
| Read Electronic Signature | 1+ | Write | ESA | 90h | Read | ESA ⁽²⁾ | IDh | | | | | | | | | |
| Read CFI Query | 1+ | Write | QA | 98h | Read | QA | QD | | | | | | | | | |
| Block Erase | 2 | Write | BA | 20h | Write | BA | D0h | | | | | | | | | |
| Bank Erase | 2 | Write | BKA | 80h | Write | BKA | D0h | | | | | | | | | |
| Program | 2 | Write | PA | 40h or 10h | Write | PA | PD | | | | | | | | | |
| Double Word Program ⁽³⁾ | 3 | Write | PA1 | 30h | Write | PA1 | PD1 | Write | PA2 | PD2 | | | | | | |
| Quadruple Word Program ⁽⁴⁾ | 5 | Write | PA1 | 55h | Write | PA1 | PD1 | Write | PA2 | PD2 | Write | PA3 | PD3 | Write | PA4 | PD4 |
| Clear Status Register | 1 | Write | BKA | 50h | | | | | | | | | | | | |
| Program/Erase Suspend | 1 | Write | BKA | B0h | | | | | | | | | | | | |
| Program/Erase Resume | 1 | Write | BKA | D0h | | | | | | | | | | | | |
| Block Lock | 2 | Write | BA | 60h | Write | BA | 01h | | | | | | | | | |
| Block Unlock | 2 | Write | BA | 60h | Write | BA | D0h | | | | | | | | | |
| Block Lock-Down | 2 | Write | BA | 60h | Write | BA | 2Fh | | | | | | | | | |
| Protection Register Program | 2 | Write | PRA | C0h | Write | PRA | PRD | | | | | | | | | |
| Set Burst Configuration Register | 2 | Write | BCRA | 60h | Write | BCRA | 03h | | | | | | | | | |

Note: 1. X = Don't Care, RA=Read Address, RD=Read Data, SRD=Status Register Data, ESA= Electronic Signature Address, ID=Identifier (Manufacture and Device Code), QA=Query Address, QD=Query Data, BA=Block Address, PA=Program Address, PD=Program Data, PRA=Protection Register Address, PRD=Protection Register Data, BCRA=Burst Configuration Register Address, BCRD=Burst Configuration Register Data.

2. The signature addresses are listed in Tables 8, 9 and 10.

3. Program Addresses 1 and 2 must be consecutive Addresses differing only for A0.

4. Program Addresses 1,2,3 and 4 must be consecutive Addresses differing only for A0 and A1.

Table 7. Dual Bank Operations

| Status of one bank | Commands allowed in the other bank | | | | | | | |
|--------------------|------------------------------------|-------------|----------|---------|---------------------|-----------------|---------------|-------------|
| | Read Array | Read Status | Read CFI | Program | Erase/ Erase Resume | Program Suspend | Erase Suspend | Lock Unlock |
| Idle | Yes | Yes | Yes | Yes | Yes | Yes | Yes | Yes |
| Reading | – | – | – | – | – | – | – | – |
| Programming | Yes | Yes | Yes | – | – | – | – | Yes |
| Erasing | Yes | Yes | Yes | – | – | – | – | Yes |
| Program Suspended | Yes | Yes | Yes | – | – | – | – | Yes |
| Erase Suspended | Yes | Yes | Yes | Yes | – | Yes | – | Yes |

Note: 1. For detailed description of command see Table 6, 36 and 37.
 2. There is a Status Register for each bank; Status Register indicates bank state, not P/E.C. status.
 3. Command must be written to an address within the block targeted by that command.

Table 8. Read Electronic Signature

| Code | Device | \bar{E} | \bar{G} | \bar{W} | A1 | A0 | Other Addresses | DQ15-DQ0 |
|-------------------|-----------|-----------------|-----------------|-----------------|-----------------|-----------------|--------------------|----------|
| Manufacturer Code | | V _{IL} | V _{IL} | V _{IH} | V _{IL} | V _{IL} | ESA ⁽²⁾ | 0020h |
| Device Code | M58CR032C | V _{IL} | V _{IL} | V _{IH} | V _{IL} | V _{IH} | ESA ⁽²⁾ | 88C8h |
| | M58CR032D | V _{IL} | V _{IL} | V _{IH} | V _{IL} | V _{IH} | ESA ⁽²⁾ | 88C9h |

Note: 1. Addresses are latched on the rising edge of \bar{L} input.
 2. ESA means Electronic Signature Address (see Read Electronic Signature)

Table 9. Read Block Protection

| Block Status | \bar{E} | \bar{G} | \bar{W} | A0 | A1 | Other Address | DQ15-DQ0 |
|------------------------------|-----------------|-----------------|-----------------|-----------------|-----------------|-------------------|----------|
| Locked Block | V _{IL} | V _{IL} | V _{IH} | V _{IL} | V _{IH} | BA ⁽³⁾ | 0001 |
| Unlocked Block | V _{IL} | V _{IL} | V _{IH} | V _{IL} | V _{IH} | BA ⁽³⁾ | 0000 |
| Locked and Locked-Down Block | V _{IL} | V _{IL} | V _{IH} | V _{IL} | V _{IH} | BA ⁽³⁾ | 0003 |
| Unlocked and Locked-Down | V _{IL} | V _{IL} | V _{IH} | V _{IL} | V _{IH} | BA ⁽³⁾ | 0002 |

Note: 1. Addresses are latched on the rising edge of \bar{L} input.
 2. A locked block can only be unlocked with \bar{WP} at V_{IH}.
 3. BA means Block Address. First cycle command address should indicate the bank of the block address.

Table 10. Read Protection Register

| Word | \bar{E} | \bar{G} | \bar{W} | A20-16 | A15-8 | A7-0 | DQ15-8 | DQ7-3 | DQ2 | DQ1 | DQ0 |
|-------------|-----------------|-----------------|-----------------|------------------|------------------|------|----------|----------|--------------------|---------------|----------|
| Lock | V _{IL} | V _{IL} | V _{IH} | X ⁽²⁾ | X ⁽²⁾ | 80h | 00h | 00000B | Security prot.data | OTP prot.data | 0 |
| Unique ID 0 | V _{IL} | V _{IL} | V _{IH} | X ⁽²⁾ | X ⁽²⁾ | 81h | ID data | ID data | ID data | ID data | ID data |
| Unique ID 1 | V _{IL} | V _{IL} | V _{IH} | X ⁽²⁾ | X ⁽²⁾ | 82h | ID data | ID data | ID data | ID data | ID data |
| Unique ID 2 | V _{IL} | V _{IL} | V _{IH} | X ⁽²⁾ | X ⁽²⁾ | 83h | ID data | ID data | ID data | ID data | ID data |
| Unique ID 3 | V _{IL} | V _{IL} | V _{IH} | X ⁽²⁾ | X ⁽²⁾ | 84h | ID data | ID data | ID data | ID data | ID data |
| OTP 0 | V _{IL} | V _{IL} | V _{IH} | X ⁽²⁾ | X ⁽²⁾ | 85h | OTP data | OTP data | OTP data | OTP data | OTP data |
| OTP 1 | V _{IL} | V _{IL} | V _{IH} | X ⁽²⁾ | X ⁽²⁾ | 86h | OTP data | OTP data | OTP data | OTP data | OTP data |
| OTP 2 | V _{IL} | V _{IL} | V _{IH} | X ⁽²⁾ | X ⁽²⁾ | 87h | OTP data | OTP data | OTP data | OTP data | OTP data |
| OTP 3 | V _{IL} | V _{IL} | V _{IH} | X ⁽²⁾ | X ⁽²⁾ | 88h | OTP data | OTP data | OTP data | OTP data | OTP data |

Note: 1. Addresses are latched on the rising edge of \bar{L} input.
 2. X = Don't care.

Table 11. Identifier Codes

| Code | | Address (h) | Data (h) |
|------------------------------|--------------------------|--|----------|
| Manufacturer Code | | Bank Address + 00 | 0020 |
| Device Code | Top (M58CR032C) | Bank Address + 01 | 88C8 |
| | Bottom (M58CR032D) | | 88C9 |
| Block Protection | Lock | Bank Address + 02 | 0001 |
| | Unlocked | | 0000 |
| | Locked and Locked-Down | | 0003 |
| | Unlocked and Locked-Down | | 0002 |
| Die Revision Code | | Bank Address + 03 | DRC |
| Burst Configuration Register | | Bank Address + 05 | BCR |
| Lock Protection Register | | Bank Address + 80 | LPR |
| Protection Register | | Bank Address + 81 Bank Address + 88 | PR |

Note: DRC=Die Revision Code, BCR=Burst Configuration Register, LPR=Lock Protection Register, PR=Protection Register (Unique Device Number and User Programmable OTP).

Table 12. Program, Erase Times and Program, Erase Endurance Cycles

| Parameter | | Condition | Min | Typ | Typical after 100k W/E Cycles | Max | Unit |
|------------------------------------|--|-------------------|-----|------|-------------------------------|--------|--------|
| V _{PP} = V _{DD} | Parameter Block (4 KWord) Erase ⁽²⁾ | | | 0.3 | 1 | 2.5 | s |
| | Main Block (32 KWord) Erase | Preprogrammed | | 0.8 | 3 | 4 | s |
| | | Not Preprogrammed | | 1.1 | | 4 | s |
| | Bank A (8Mbit) Erase | Preprogrammed | | 5.5 | | | s |
| | | Not Preprogrammed | | 9 | | | s |
| | Bank B (24Mbit) Erase | Preprogrammed | | 16.5 | | | s |
| | | Not Preprogrammed | | 27 | | | s |
| | Parameter Block (4 KWord) Program ⁽³⁾ | | | 40 | | | ms |
| | Main Block (32 KWord) Program ⁽³⁾ | | | 300 | | | ms |
| | Word Program ⁽³⁾ | | | 10 | 10 | 100 | μs |
| Program Suspend Latency | | | 5 | | 10 | μs | |
| Erase Suspend Latency | | | 5 | | 20 | μs | |
| Program/Erase Cycles (per Block) | Main Blocks | 100,000 | | | | | cycles |
| | Parameter Blocks | 100,000 | | | | | cycles |
| V _{PP} = V _{PPH} | Parameter Block (4 KWord) Erase | | | 0.3 | | 2.5 | s |
| | Main Block (32 KWord) Erase | | | 0.9 | | 4 | s |
| | Bank A (8Mbit) Erase | | | 6.5 | | | s |
| | Bank B (24Mbit) Erase | | | 19.5 | | | s |
| | 4Mbit Program | Quadruple Word | | 510 | | | ms |
| | Word/ Double Word/ Quadruple Word Program ⁽³⁾ | | | 8 | | 100 | μs |
| | Parameter Block (4 KWord) Program ⁽³⁾ | Quadruple Word | | 8 | | | ms |
| | | Word | | 32 | | | ms |
| | Main Block (32 KWord) Program ⁽³⁾ | Quadruple Word | | 64 | | | ms |
| | | Word | | 256 | | | ms |
| Program/Erase Cycles (per Block) | Main Blocks | | | | 1000 | cycles | |
| | Parameter Blocks | | | | 2500 | cycles | |

Note: 1. T_A = -40 to 85°C; V_{DD} = 1.65V to 2V; V_{DDQ} = 1.65V to 3.3V.
 2. The difference between Preprogrammed and not preprogrammed is not significant (<30ms).
 3. Excludes the time needed to execute the command sequence.



BLOCK LOCKING

The M58CR032 features an instant, individual block locking scheme that allows any block to be locked or unlocked with no latency. This locking scheme has three levels of protection.

- Lock/Unlock - this first level allows software-only control of block locking.
- Lock-Down - this second level requires hardware interaction before locking can be changed.
- $V_{PP} \leq V_{PPLK}$ - the third level offers a complete hardware protection against program and erase on all blocks.

For all devices the protection status of each block can be set to Locked, Unlocked, and Lock-Down. Table 14, defines all of the possible protection states (\overline{WP} , DQ1, DQ0), and Appendix B, Figure 24, shows a flowchart for the locking operations.

Reading a Block's Lock Status

The lock status of every block can be read in the Read Electronic Signature mode of the device. To enter this mode write 90h to the device. Subsequent reads at the address specified in Table 9, will output the protection status of that block. The lock status is represented by DQ0 and DQ1. DQ0 indicates the Block Lock/Unlock status and is set by the Lock command and cleared by the Unlock command. It is also automatically set when entering Lock-Down. DQ1 indicates the Lock-Down status and is set by the Lock-Down command. It cannot be cleared by software, only by a hardware reset or power-down.

The following sections explain the operation of the locking system.

Locked State

The default status of all blocks on power-up or after a hardware reset is Locked (states (0,0,1) or (1,0,1)). Locked blocks are fully protected from any program or erase. Any program or erase operations attempted on a locked block will return an error in the Status Register. The Status of a Locked block can be changed to Unlocked or Lock-Down using the appropriate software commands. An Unlocked block can be Locked by issuing the Lock command.

Unlocked State

Unlocked blocks (states (0,0,0), (1,0,0) (1,1,0)), can be programmed or erased. All unlocked blocks return to the Locked state after a hardware reset or when the device is powered-down. The status of an unlocked block can be changed to Locked or Locked-Down using the appropriate

software commands. A locked block can be unlocked by issuing the Unlock command.

Lock-Down State

Blocks that are Locked-Down (state (0,1,x)) are protected from program and erase operations (as for Locked blocks) but their protection status cannot be changed using software commands alone. A Locked or Unlocked block can be Locked-Down by issuing the Lock-Down command. Locked-Down blocks revert to the Locked state when the device is reset or powered-down.

The Lock-Down function is dependent on the \overline{WP} input pin. When $\overline{WP}=0$ (V_{IL}), the blocks in the Lock-Down state (0,1,x) are protected from program, erase and protection status changes. When $\overline{WP}=1$ (V_{IH}) the Lock-Down function is disabled (1,1,1) and Locked-Down blocks can be individually unlocked to the (1,1,0) state by issuing the software command, where they can be erased and programmed. These blocks can then be re-locked (1,1,1) and unlocked (1,1,0) as desired while \overline{WP} remains high. When \overline{WP} is low, blocks that were previously Locked-Down return to the Lock-Down state (0,1,x) regardless of any changes made while \overline{WP} was high. Device reset or power-down resets all blocks, including those in Lock-Down, to the Locked state.

Locking Operations During Erase Suspend

Changes to block lock status can be performed during an erase suspend by using the standard locking command sequences to unlock, lock or lock-down a block. This is useful in the case when another block needs to be updated while an erase operation is in progress.

To change block locking during an erase operation, first write the Erase Suspend command, then check the status register until it indicates that the erase operation has been suspended. Next write the desired Lock command sequence to a block and the lock status will be changed. After completing any desired lock, read, or program operations, resume the erase operation with the Erase Resume command.

If a block is locked or locked-down during an erase suspend of the same block, the locking status bits will be changed immediately, but when the erase is resumed, the erase operation will complete. Locking operations cannot be performed during a program suspend. Refer to Appendix C, Command Interface State Table, for detailed information on which commands are valid during erase suspend.

Table 13. Block Lock Status

| Item | Address | Data |
|--------------------------|---------|-------|
| Block Lock Configuration | xx002 | LOCK |
| Block is Unlocked | | DQ0=0 |
| Block is Locked | | DQ0=1 |
| Block is Locked-Down | | DQ1=1 |

Table 14. Lock Status

| Current Protection Status ⁽¹⁾ (\overline{WP} , DQ1, DQ0) | | Next Protection Status ⁽¹⁾ (\overline{WP} , DQ1, DQ0) | | | |
|---|-----------------------|--|----------------------------|-------------------------------|----------------------------------|
| Current State | Program/Erase Allowed | After Block Lock Command | After Block Unlock Command | After Block Lock-Down Command | After \overline{WP} transition |
| 1,0,0 | yes | 1,0,1 | 1,0,0 | 1,1,1 | 0,0,0 |
| 1,0,1 ⁽²⁾ | no | 1,0,1 | 1,0,0 | 1,1,1 | 0,0,1 |
| 1,1,0 | yes | 1,1,1 | 1,1,0 | 1,1,1 | 0,1,1 |
| 1,1,1 | no | 1,1,1 | 1,1,0 | 1,1,1 | 0,1,1 |
| 0,0,0 | yes | 0,0,1 | 0,0,0 | 0,1,1 | 1,0,0 |
| 0,0,1 ⁽²⁾ | no | 0,0,1 | 0,0,0 | 0,1,1 | 1,0,1 |
| 0,1,1 | no | 0,1,1 | 0,1,1 | 0,1,1 | 1,1,1 or 1,1,0 ⁽³⁾ |

Note: 1. The lock status is defined by the write protect pin and by DQ1 ('1' for a locked-down block) and DQ0 ('1' for a locked block) as read in the Read Electronic Signature command with A1 = V_{IH} and A0 = V_{IL}.
 2. All blocks are locked at power-up, so the default configuration is 001 or 101 according to \overline{WP} status.
 3. A \overline{WP} transition to V_{IH} on a locked block will restore the previous DQ0 value, giving a 111 or 110.

STATUS REGISTER

The M58CR032 has two Status Registers, one for each bank. The Status Registers provide information on the current or previous Program or Erase operations executed in each bank. The various bits convey information and errors on the operation. Issue a Read Status Register command to read the Status Register content of the addressed bank, refer to Read Status Register Command section for more details. To output the contents, the Status Register is latched on the falling edge of the Chip Enable or Output Enable signals, and can be read until Chip Enable or Output Enable returns to V_{IH} . Either Chip Enable or Output Enable must be toggled to update the latched data.

Bus Read operations from any address within the bank, always read the Status Register during Program and Erase operations.

The bits in the Status Register are summarized in Table 15, Status Register Bits. Refer to Table 15 in conjunction with the following text descriptions.

Program/Erase Controller Status (Bit 7). The Program/Erase Controller Status bit indicates whether the Program/Erase Controller is active or inactive in the addressed bank. When the Program/Erase Controller Status bit is Low (set to '0'), the Program/Erase Controller is active; when the bit is High (set to '1'), the Program/Erase Controller is inactive, and the device is ready to process a new command.

The Program/Erase Controller Status is Low immediately after a Program/Erase Suspend command is issued until the Program/Erase Controller pauses. After the Program/Erase Controller pauses the bit is High .

During Program, Erase, operations the Program/Erase Controller Status bit can be polled to find the end of the operation. Other bits in the Status Register should not be tested until the Program/Erase Controller completes the operation and the bit is High.

After the Program/Erase Controller completes its operation the Erase Status, Program Status, V_{PP} Status and Block Lock Status bits should be tested for errors.

Erase Suspend Status (Bit 6). The Erase Suspend Status bit indicates that an Erase operation has been suspended or is going to be suspended in the addressed block. When the Erase Suspend Status bit is High (set to '1'), a Program/Erase Suspend command has been issued and the memory is waiting for a Program/Erase Resume command.

The Erase Suspend Status should only be considered valid when the Program/Erase Controller Status bit is High (Program/Erase Controller inactive). Bit 7 is set within 30 μ s of the Program/Erase Sus-

pend command being issued therefore the memory may still complete the operation rather than entering the Suspend mode.

When a Program/Erase Resume command is issued the Erase Suspend Status bit returns Low.

Erase Status (Bit 5). The Erase Status bit can be used to identify if the memory has failed to verify that the block has erased correctly. When the Erase Status bit is High (set to '1'), the Program/Erase Controller has applied the maximum number of pulses to the block and still failed to verify that the block has erased correctly. The Erase Status bit should be read once the Program/Erase Controller Status bit is High (Program/Erase Controller inactive).

Once set High, the Erase Status bit can only be reset Low by a Clear Status Register command or a hardware reset. If set High it should be reset before a new Program or Erase command is issued, otherwise the new command will appear to fail.

Program Status (Bit 4). The Program Status bit is used to identify a Program failure. When the Program Status bit is High (set to '1'), the Program/Erase Controller has applied the maximum number of pulses to the Byte and still failed to verify that it has programmed correctly. The Program Status bit should be read once the Program/Erase Controller Status bit is High (Program/Erase Controller inactive).

Once set High, the Program Status bit can only be reset Low by a Clear Status Register command or a hardware reset. If set High it should be reset before a new command is issued, otherwise the new command will appear to fail.

V_{PP} Status (Bit 3). The V_{PP} Status bit can be used to identify an invalid voltage on the V_{PP} pin during Program and Erase operations. The V_{PP} pin is only sampled at the beginning of a Program or Erase operation. Indeterminate results can occur if V_{PP} becomes invalid during an operation.

When the V_{PP} Status bit is Low (set to '0'), the voltage on the V_{PP} pin was sampled at a valid voltage; when the V_{PP} Status bit is High (set to '1'), the V_{PP} pin has a voltage that is below the V_{PP} Lockout Voltage, V_{PPLK} , the memory is protected and Program and Erase operations cannot be performed.

Once set High, the V_{PP} Status bit can only be reset Low by a Clear Status Register command or a hardware reset. If set High it should be reset before a new Program or Erase command is issued, otherwise the new command will appear to fail.

Program Suspend Status (Bit 2). The Program Suspend Status bit indicates that a Program operation has been suspended in the addressed block. When the Program Suspend Status bit is High (set to '1'), a Program/Erase Suspend command has

been issued and the memory is waiting for a Program/Erase Resume command. The Program Suspend Status should only be considered valid when the Program/Erase Controller Status bit is High (Program/Erase Controller inactive). Bit 2 is set within 5µs of the Program/Erase Suspend command being issued therefore the memory may still complete the operation rather than entering the Suspend mode.

When a Program/Erase Resume command is issued the Program Suspend Status bit returns Low.

Block Protection Status (Bit 1). The Block Protection Status bit can be used to identify if a Pro-

gram or Erase operation has tried to modify the contents of a locked block.

When the Block Protection Status bit is High (set to '1'), a Program or Erase operation has been attempted on a locked block.

Once set High, the Block Protection Status bit can only be reset Low by a Clear Status Register command or a hardware reset. If set High it should be reset before a new command is issued, otherwise the new command will appear to fail.

Reserved (Bit 0). Bit 0 of the Status Register is reserved. Its value must be masked.

Note: Refer to Appendix B, Flowcharts and Pseudo Codes, for using the Status Register.

Table 15. Status Register Bits

| Bit | Name | Logic Level | Definition |
|-----|-------------------------|-------------|---|
| 7 | P/E.C. Status | '1' | Ready |
| | | '0' | Busy |
| 6 | Erase Suspend Status | '1' | Suspended |
| | | '0' | In progress or Completed |
| 5 | Erase Status | '1' | Erase Error |
| | | '0' | Erase Success |
| 4 | Program Status | '1' | Program Error |
| | | '0' | Program Success |
| 3 | V _{PP} Status | '1' | V _{PP} Invalid, Abort |
| | | '0' | V _{PP} OK |
| 2 | Program Suspend Status | '1' | Suspended |
| | | '0' | In Progress or Completed |
| 1 | Block Protection Status | '1' | Program/Erase on protected Block, Abort |
| | | '0' | No operation to protected blocks |
| 0 | Reserved | | |

Note: Logic level '1' is High, '0' is Low.

MAXIMUM RATING

Stressing the device above the rating listed in the Absolute Maximum Ratings table may cause permanent damage to the device. These are stress ratings only and operation of the device at these or any other conditions above those indicated in the Operating sections of this specification is not im-

plied. Exposure to Absolute Maximum Rating conditions for extended periods may affect device reliability. Refer also to the STMicroelectronics SURE Program and other relevant quality documents.

Table 16. Absolute Maximum Ratings

| Symbol | Parameter | Value | Unit |
|-------------------|-------------------------------|-----------------------|------|
| T_A | Ambient Operating Temperature | -40 to 85 | °C |
| T_{BIAS} | Temperature Under Bias | -40 to 125 | °C |
| T_{STG} | Storage Temperature | -55 to 155 | °C |
| $V_{IO}^{(1)}$ | Input or Output Voltage | -0.5 to $V_{DDQ}+0.5$ | V |
| V_{DD}, V_{DDQ} | Supply Voltage | -0.5 to 2.7 | V |
| V_{PP} | Program Voltage | -0.5 to 13 | V |

Note: 1. Minimum Voltage may undershoot to -2V during transition and for less than 20ns during transitions.

DC AND AC PARAMETERS

This section summarizes the operating measurement conditions, and the DC and AC characteristics of the device. The parameters in the DC and AC characteristics Tables that follow, are derived from tests performed under the Measurement

Conditions summarized in Table 17, Operating and AC Measurement Conditions. Designers should check that the operating conditions in their circuit match the operating conditions when relying on the quoted parameters.

Table 17. Operating and AC Measurement Conditions

| Parameter | M58CR032C, M58CR032D | | | | | | Units |
|---------------------------------------|-----------------------|-----|-----------------------|-----|-----------------------|-----|-------|
| | 85 | | 100 | | 120 | | |
| | Min | Max | Min | Max | Min | Max | |
| V _{DD} Supply Voltage | 1.8 | 2.0 | 1.65 | 2.0 | 1.65 | 2.0 | V |
| V _{DDQ} Supply Voltage | 1.8 | 3.3 | 1.65 | 3.3 | 1.65 | 3.3 | V |
| Ambient Operating Temperature | - 40 | 85 | - 40 | 85 | - 40 | 85 | °C |
| Load Capacitance (C _L) | 30 | | 30 | | 30 | | pF |
| Input Rise and Fall Times | | 4 | | 4 | | 4 | ns |
| Input Pulse Voltages | 0 to V _{DDQ} | | 0 to V _{DDQ} | | 0 to V _{DDQ} | | V |
| Input and Output Timing Ref. Voltages | V _{DDQ} /2 | | V _{DDQ} /2 | | V _{DDQ} /2 | | V |

Figure 9. AC Measurement I/O Waveform

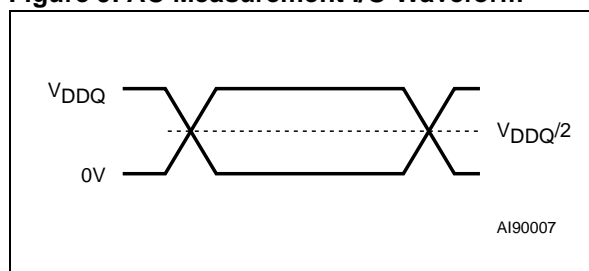


Figure 10. AC Measurement Load Circuit

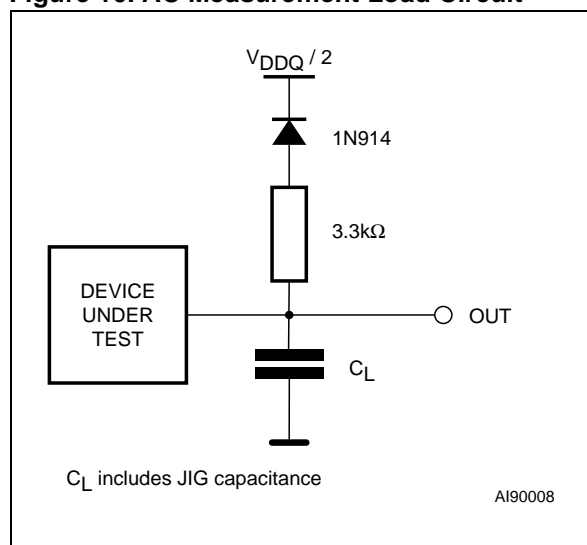


Table 18. Capacitance

| Symbol | Parameter | Test Condition | Min | Max | Unit |
|------------------|--------------------|-----------------------|-----|-----|------|
| C _{IN} | Input Capacitance | V _{IN} = 0V | | 6 | pF |
| C _{OUT} | Output Capacitance | V _{OUT} = 0V | | 12 | pF |

Note: Sampled only, not 100% tested.

Table 19. DC Characteristics - Currents

| Symbol | Parameter | Test Condition | Min | Typ | Max | Unit |
|-------------------|---|--|-----|-----|---------|---------|
| I_{LI} | Input Leakage Current | $0V \leq V_{IN} \leq V_{DDQ}$ | | | ± 1 | μA |
| I_{LO} | Output Leakage Current | $0V \leq V_{OUT} \leq V_{DDQ}$ | | | ± 1 | μA |
| I_{DD1} | Supply Current Asynchronous Read (f=6MHz) | $\bar{E} = V_{IL}, \bar{G} = V_{IH}$ | | 3 | 6 | mA |
| | | 4 Word | | 6 | 13 | mA |
| | Supply Current Synchronous Read (f=40MHz) | 8 Word | | 8 | 14 | mA |
| | | Continuous | | 6 | 10 | mA |
| I_{DD2} | Supply Current (Reset) | $\overline{RP} = V_{SS} \pm 0.2V$ | | 2 | 10 | μA |
| I_{DD3} | Supply Current (Standby) | $\bar{E} = V_{DD} \pm 0.2V$ | | 10 | 50 | μA |
| $I_{DD4}^{(1)}$ | Supply Current (Program) | $V_{PP} = V_{PPH}$ | | 8 | 15 | mA |
| | | $V_{PP} = V_{DD}$ | | 10 | 20 | mA |
| | Supply Current (Erase) | $V_{PP} = V_{PPH}$ | | 8 | 15 | mA |
| | | $V_{PP} = V_{DD}$ | | 10 | 20 | mA |
| $I_{DD5}^{(1,2)}$ | Supply Current (Dual Operations) | Program/Erase in one Bank, Asynchronous Read in another Bank | | 13 | 26 | mA |
| | | Program/Erase in one Bank, Synchronous Read in another Bank | | 16 | 30 | mA |
| $I_{DD6}^{(1)}$ | Supply Current Program/ Erase Suspended (Standby) | $\bar{E} = V_{DD} \pm 0.2V$ | | 10 | 50 | μA |
| $I_{PP1}^{(1)}$ | V_{PP} Supply Current (Program) | $V_{PP} = V_{PPH}$ | | 2 | 5 | mA |
| | | $V_{PP} = V_{DD}$ | | 0.2 | 5 | μA |
| | V_{PP} Supply Current (Erase) | $V_{PP} = V_{PPH}$ | | 2 | 5 | mA |
| | | $V_{PP} = V_{DD}$ | | 0.2 | 5 | μA |
| I_{PP2} | V_{PP} Supply Current (Read) | $V_{PP} = V_{PPH}$ | | 100 | 400 | μA |
| | | $V_{PP} \leq V_{DD}$ | | 0.2 | 5 | μA |
| $I_{PP3}^{(1)}$ | V_{PP} Supply Current (Standby) | $V_{PP} \leq V_{DD}$ | | 0.2 | 5 | μA |

Note: 1. Sampled only, not 100% tested.

2. V_{DD} Dual Operation current is the sum of read and program or erase currents.

Table 20. DC Characteristics - Voltages

| Symbol | Parameter | Test Condition | Min | Typ | Max | Unit |
|-------------------|---|--------------------------|------------------------|-----|------------------------|------|
| V _{IL} | Input Low Voltage | | -0.5 | | 0.4 | V |
| V _{IH} | Input High Voltage | | V _{DDQ} - 0.4 | | V _{DDQ} + 0.4 | V |
| V _{OL} | Output Low Voltage | I _{OL} = 100μA | | | 0.1 | V |
| V _{OH} | Output High Voltage | I _{OH} = -100μA | V _{DDQ} - 0.1 | | | V |
| V _{PP1} | V _{PP} Program Voltage-Logic | Program, Erase | 1 | 1.8 | 1.95 | V |
| V _{PPH} | V _{PP} Program Voltage Factory | Program, Erase | 11.4 | 12 | 12.6 | V |
| V _{PPLK} | Program or Erase Lockout | | | | 0.9 | V |
| V _{LKO} | V _{DD} Lock Voltage | | 1 | | | V |
| V _{RPH} | \overline{RP} pin Extended High Voltage | | | | 3.3 | V |

Figure 11. Asynchronous Read AC Waveforms

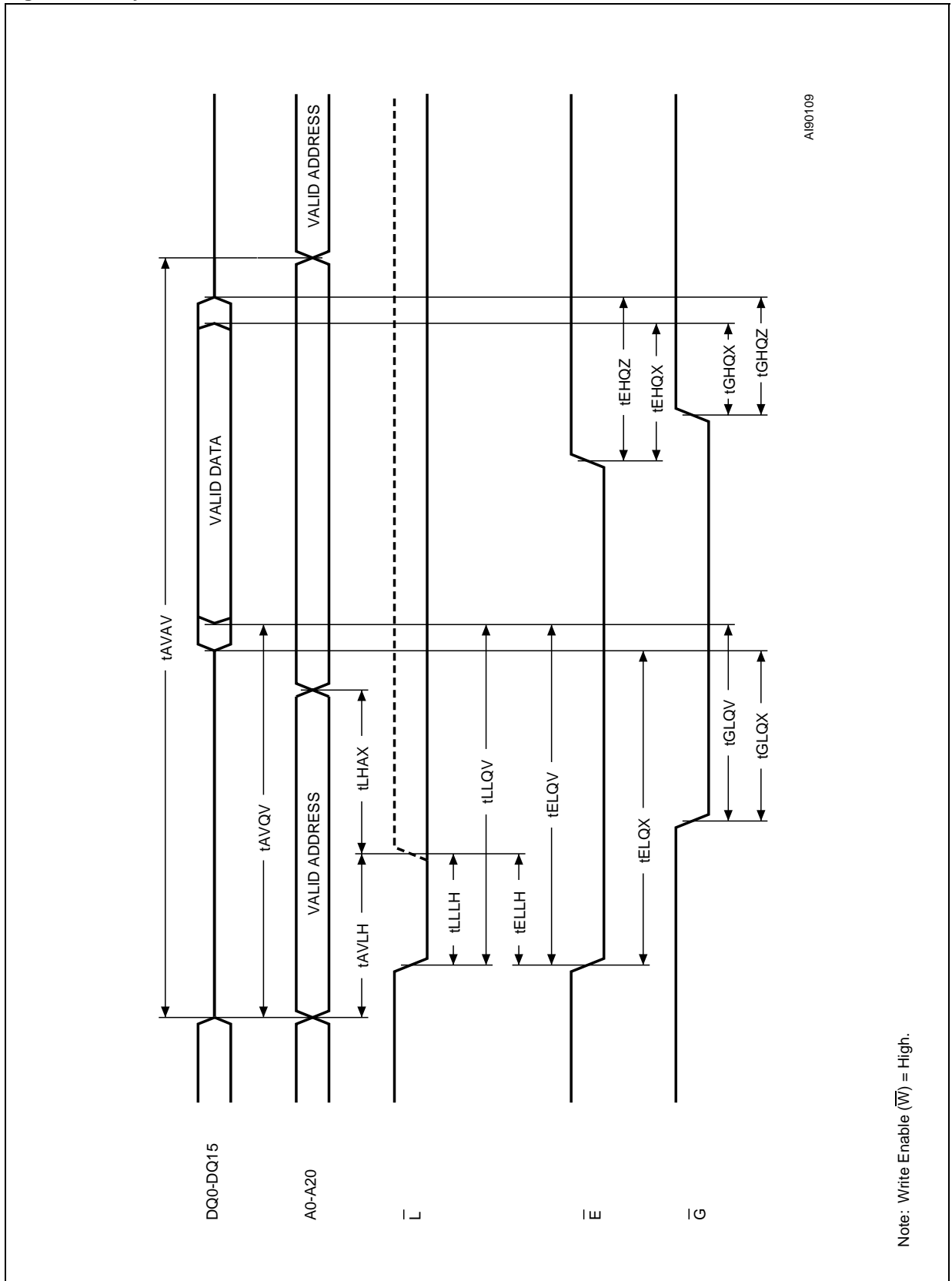


Figure 12. Asynchronous Page Read AC Waveforms

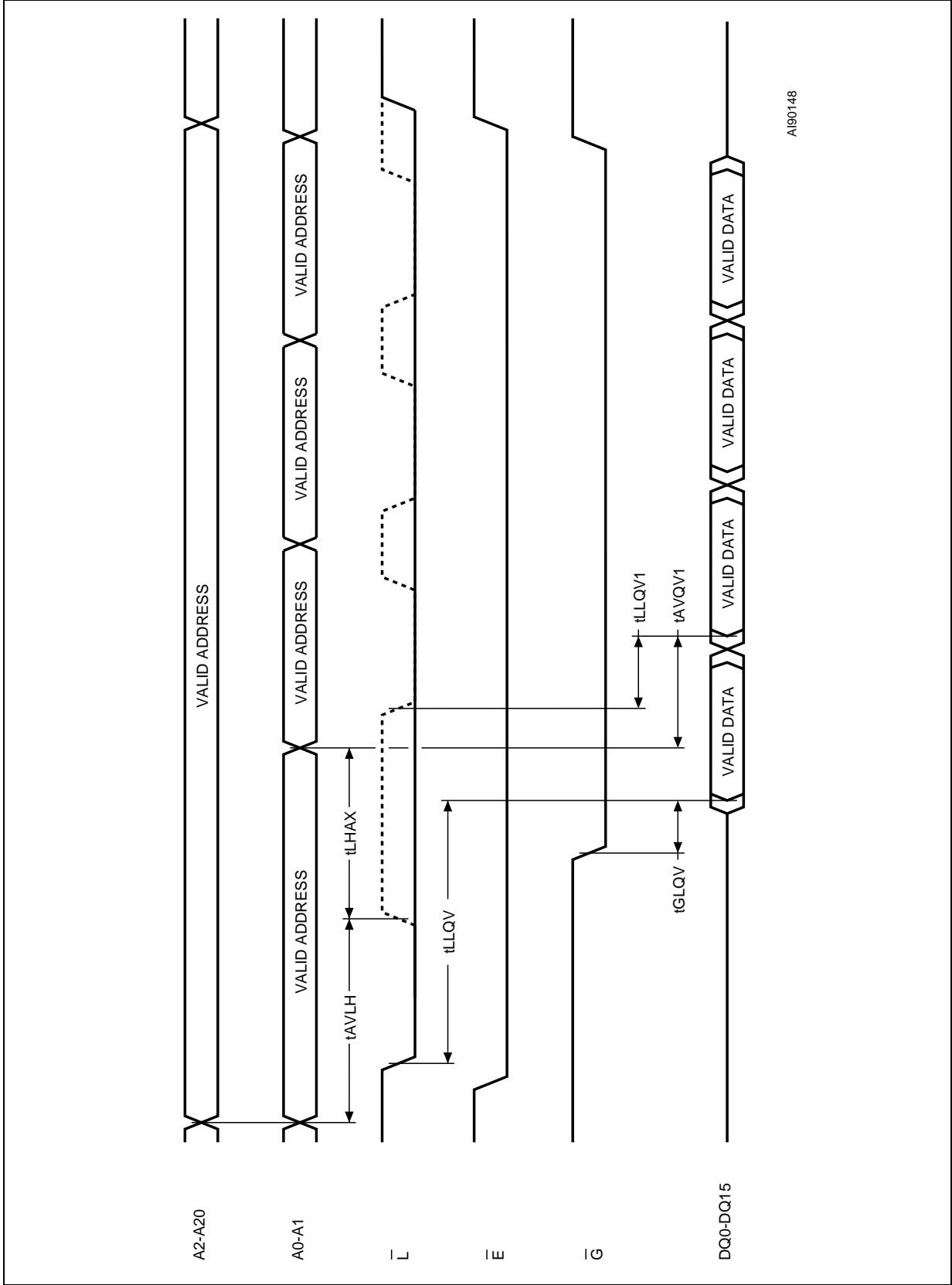


Table 21. Asynchronous Read AC Characteristics

| Symbol | Alt | Parameter | Test Condition | M58CR032 | | | | | | Unit |
|----------------------------------|-----------------------|---|--------------------------------------|----------|-----|-----|-----|-----|-----|------|
| | | | | 85 | | 100 | | 120 | | |
| | | | | Min | Max | Min | Max | Min | Max | |
| t _{AVAV} | t _{RC} | Address Valid to Next Address Valid | $\bar{E} = V_{IL}, \bar{G} = V_{IL}$ | 85 | | 100 | | 120 | | ns |
| t _{AVLH} | t _{AVAVDH} | Address valid to Latch Enable High | $\bar{G} = V_{IH}$ | 10 | | 10 | | 10 | | ns |
| t _{AVQV} | t _{ACC} | Address Valid to Output Valid (Random) | $\bar{E} = V_{IL}, \bar{G} = V_{IL}$ | | 85 | | 100 | | 120 | ns |
| t _{AVQV1} | t _{PAGE} | Address Valid to Output Valid (Page) | $\bar{E} = V_{IL}, \bar{G} = V_{IL}$ | | 35 | | 45 | | 45 | ns |
| t _{EHQX} | t _{OH} | Chip Enable High to Output Transition | $\bar{G} = V_{IL}$ | 0 | | 0 | | 0 | | ns |
| t _{EHQZ} ⁽¹⁾ | t _{HZ} | Chip Enable High to Output Hi-Z | $\bar{G} = V_{IL}$ | | 20 | | 20 | | 20 | ns |
| t _{ELLH} | t _{ELAVDH} | Chip Enable Low to Latch Enable High | $\bar{E} = V_{IL}, \bar{G} = V_{IH}$ | 10 | | 10 | | 10 | | ns |
| t _{ELQV} ⁽²⁾ | t _{CE} | Chip Enable Low to Output Valid | $\bar{G} = V_{IL}$ | | 85 | | 100 | | 120 | ns |
| t _{ELQX} ⁽¹⁾ | t _{LZ} | Chip Enable Low to Output Transition | $\bar{G} = V_{IL}$ | 0 | | 0 | | 0 | | ns |
| t _{GHQX} | t _{OH} | Output Enable High to Output Transition | $\bar{E} = V_{IL}$ | 0 | | 0 | | 0 | | ns |
| t _{GHQZ} ⁽¹⁾ | t _{DF} | Output Enable High to Output Hi-Z | $\bar{E} = V_{IL}$ | | 20 | | 20 | | 20 | ns |
| t _{GLQV} ⁽²⁾ | t _{OE} | Output Enable Low to Output Valid | $\bar{E} = V_{IL}$ | | 25 | | 25 | | 35 | ns |
| t _{GLQX} ⁽¹⁾ | t _{OLZ} | Output Enable Low to Output Transition | $\bar{E} = V_{IL}$ | 0 | | 0 | | 0 | | ns |
| t _{LHAX} | t _{AVDHAX} | Latch Enable High to Address Transition | $\bar{E} = V_{IL}, \bar{G} = V_{IH}$ | 10 | | 10 | | 10 | | ns |
| t _{LLLH} | t _{AVDLAVDH} | Latch Enable Pulse Width | $\bar{E} = V_{IL}, \bar{G} = V_{IH}$ | 10 | | 10 | | 10 | | ns |
| t _{LLQV} | t _{AVDLQV} | Latch Enable Low to Output Valid (Random) | $\bar{E} = V_{IL}$ | | 85 | | 100 | | 120 | ns |
| t _{LLQV1} | | Latch Enable Low to Output Valid (Page) | $\bar{E} = V_{IL}$ | | 35 | | 45 | | 45 | ns |

Note: 1. Sampled only, not 100% tested.

2. \bar{G} may be delayed by up to t_{ELQV} - t_{GLQV} after the falling edge of \bar{E} without increasing t_{ELQV}.

Figure 13. Synchronous Burst Read

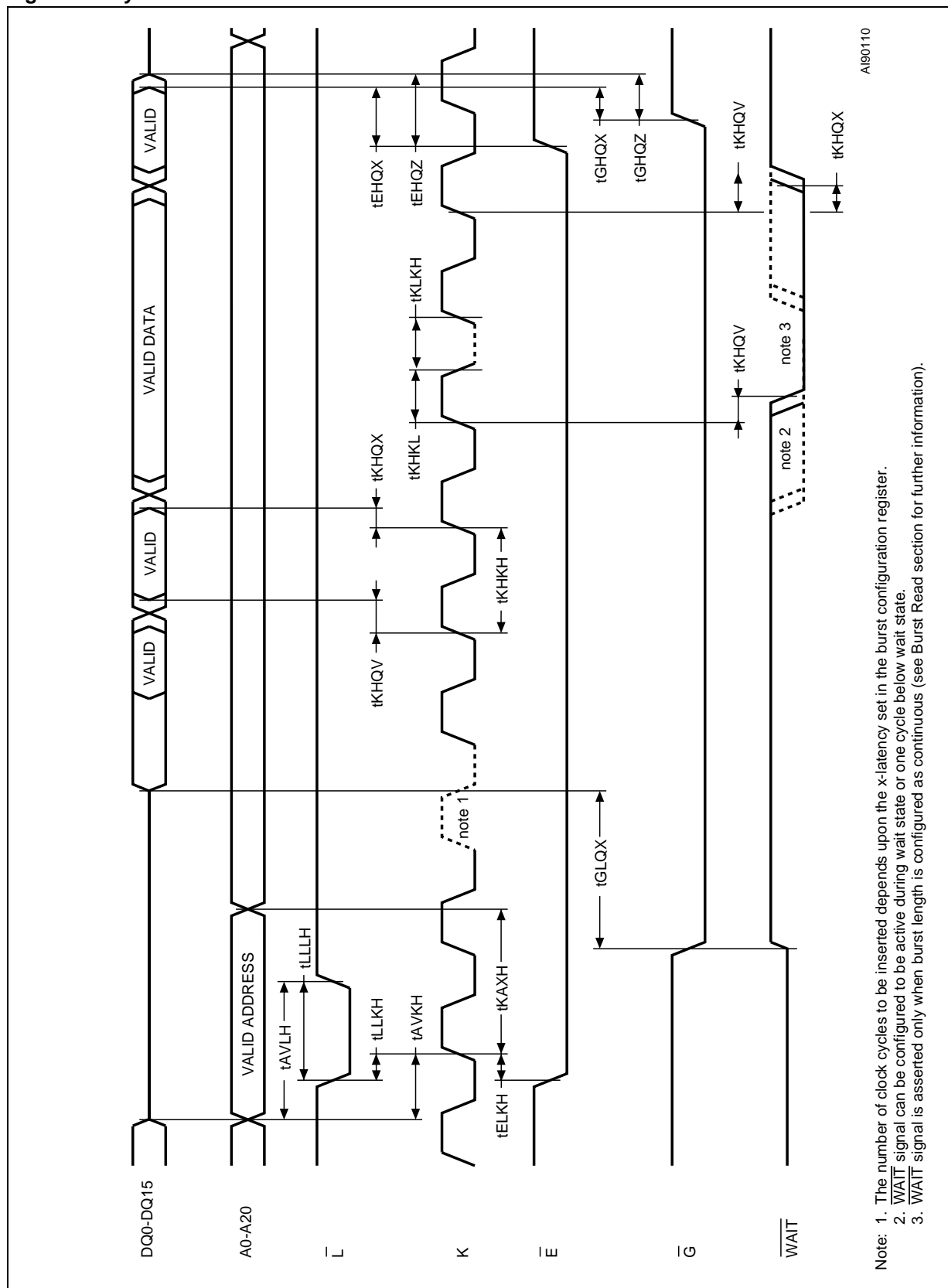


Table 22. Synchronous Burst Read AC Characteristics

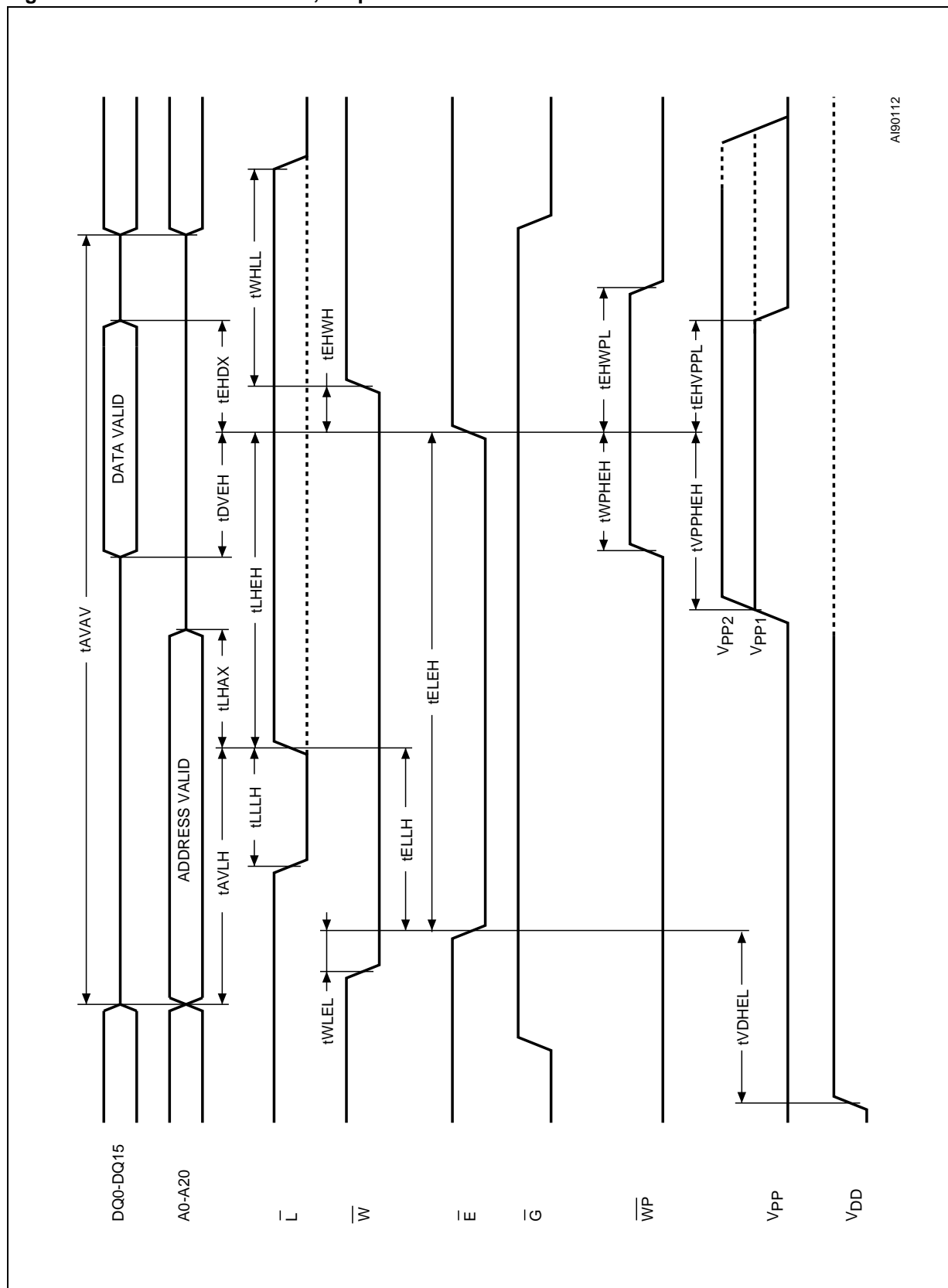
| Symbol | Alt | Parameter | Test Condition | M58CR032 | | | | | | Unit |
|-------------------|-----------------------|--|--------------------------------------|----------|-----|-----|-----|-----|-----|------|
| | | | | 85 | | 100 | | 120 | | |
| | | | | Min | Max | Min | Max | Min | Max | |
| t _{AVKH} | t _{AVCLKH} | Address Valid to Clock High | | 7 | | 7 | | 7 | | ns |
| t _{ELKH} | t _{CELCLKH} | Chip Enable Low to Clock High | | 7 | | 7 | | 7 | | ns |
| t _{KHKH} | t _{CLK} | Clock Period | | 18 | | 18 | | 25 | | ns |
| t _{KHAX} | t _{CLKHAX} | Clock High to Address Transition | $\bar{E} = V_{IL}, \bar{G} = V_{IH}$ | 10 | | 10 | | 10 | | ns |
| t _{KHKL} | t _{CLKHCLKL} | Clock High to Clock Low | | 5 | | 5 | | 5 | | ns |
| t _{KLKH} | t _{CLKLCLKH} | Clock Low to Clock High | | 5 | | 5 | | 5 | | ns |
| t _{KHQV} | t _{CLKHQV} | Clock to Data Valid Clock to WAIT Valid | $\bar{E} = V_{IL}, \bar{G} = V_{IL}$ | | 14 | | 14 | | 18 | ns |
| t _{KHQX} | t _{CLKHQX} | Clock to Output Transition Clock to WAIT Transition | $\bar{E} = V_{IL}$ | 4 | | 4 | | 4 | | ns |
| t _{LLKH} | t _{AVDLCLKH} | Latch Enable Low to Clock High | | 7 | | 7 | | 7 | | ns |

Note: For other timings please refer to Table 21, Asynchronous Read AC Characteristics

Table 23. Write AC Characteristics, Write Enable Controlled

| Symbol | Alt | Parameter | M58CR032 | | | | | | Unit |
|---------------------|-------------------|---|----------|-----|-----|-----|-----|-----|------|
| | | | 85 | | 100 | | 120 | | |
| | | | Min | Max | Min | Max | Min | Max | |
| t _{AVAV} | t _{WC} | Address Valid to Next Address Valid | 85 | | 100 | | 120 | | ns |
| t _{AVLH} | | Address Valid to Latch Enable High | 10 | | 10 | | 10 | | ns |
| t _{DVWH} | t _{DS} | Input Valid to Write Enable High | 40 | | 40 | | 40 | | ns |
| t _{ELLH} | | Chip Enable Low to Latch Enable High | 10 | | 10 | | 10 | | ns |
| t _{ELWL} | t _{CS} | Chip Enable Low to Write Enable Low | 0 | | 0 | | 0 | | ns |
| t _{LHAX} | | Latch Enable High to Address Transition | 10 | | 10 | | 10 | | ns |
| t _{LLLH} | | Latch Enable Pulse Width | 10 | | 10 | | 10 | | ns |
| t _{VDHEL} | t _{VCS} | V _{DD} High to Chip Enable Low | 50 | | 50 | | 50 | | μs |
| t _{VPPHWH} | | V _{PP} High to Write Enable High | 200 | | 200 | | 200 | | ns |
| t _{WHDX} | t _{DH} | Write Enable High to Input Transition | 0 | | 0 | | 0 | | ns |
| t _{WHEH} | t _{CH} | Write Enable High to Chip Enable High | 0 | | 0 | | 0 | | ns |
| t _{WHGL} | t _{OEHL} | Write Enable High to Output Enable Low | 0 | | 0 | | 0 | | ns |
| t _{WHLL} | | Write Enable High to Latch Enable Low | 0 | | 0 | | 0 | | ns |
| t _{WHVPPL} | | Write Enable High to V _{PP} Low | 200 | | 200 | | 200 | | ns |
| t _{WHWL} | t _{WPH} | Write Enable High to Write Enable Low | 30 | | 30 | | 30 | | ns |
| t _{WHWPV} | | Write Enable High to Write Protect Valid | 200 | | 200 | | 200 | | ns |
| t _{WLWH} | t _{WP} | Write Enable Low to Write Enable High | 50 | | 50 | | 50 | | ns |
| t _{WPVWH} | | Write Protect Valid to Write Enable High | 200 | | 200 | | 200 | | ns |

Figure 15. Write AC Waveforms, Chip Enable Controlled



A180112

Table 24. Write AC Characteristics, Chip Enable Controlled

| Symbol | Alt | Parameter | M58CR032 | | | | | | Unit |
|---------------------|------------------|--|----------|-----|-----|-----|-----|-----|------|
| | | | 85 | | 100 | | 120 | | |
| | | | Min | Max | Min | Max | Min | Max | |
| t _{AVAV} | t _{WC} | Address Valid to Next Address Valid | 85 | | 100 | | 120 | | ns |
| t _{AVLH} | | Address Valid to Latch Enable High | 10 | | 10 | | 10 | | ns |
| t _{DVEH} | t _{DS} | Input Valid to Chip Enable High | 40 | | 40 | | 40 | | ns |
| t _{EHDX} | t _{DH} | Chip Enable High to Input Transition | 0 | | 0 | | 0 | | ns |
| t _{EHEL} | t _{CPH} | Chip Enable High to Chip Enable Low | 30 | | 30 | | 30 | | ns |
| t _{EHWH} | t _{WH} | Chip Enable High to Write Enable High | 0 | | 0 | | 0 | | ns |
| t _{ELEH} | t _{CP} | Chip Enable Low to Chip Enable High | 60 | | 60 | | 60 | | ns |
| t _{ELLH} | | Chip Enable Low to Latch Enable High | 10 | | 10 | | 10 | | ns |
| t _{LHAX} | | Latch Enable High to Address Transition | 10 | | 10 | | 10 | | ns |
| t _{LHEH} | | Latch Enable High to Chip Enable High | 10 | | 10 | | 10 | | ns |
| t _{LLLH} | | Latch Enable Pulse Width | 10 | | 10 | | 10 | | ns |
| t _{VDHEL} | t _{VCS} | V _{DD} High to Chip Enable Low | 50 | | 50 | | 50 | | μs |
| t _{VPPHEH} | | V _{PP} High to Chip Enable High | 200 | | 200 | | 200 | | ns |
| t _{EHVPPL} | | Chip Enable High to V _{PP} Low | 200 | | 200 | | 200 | | ns |
| t _{EHWPL} | | Chip Enable High to Write Protect Low | 200 | | 200 | | 200 | | ns |
| t _{WLEL} | t _{WS} | Chip Enable Low to Chip Enable Low | 0 | | 0 | | 0 | | ns |
| t _{WPHEH} | | Write Protect High to Chip Enable High | 200 | | 200 | | 200 | | ns |

Figure 16. Reset and Power-up AC Waveforms

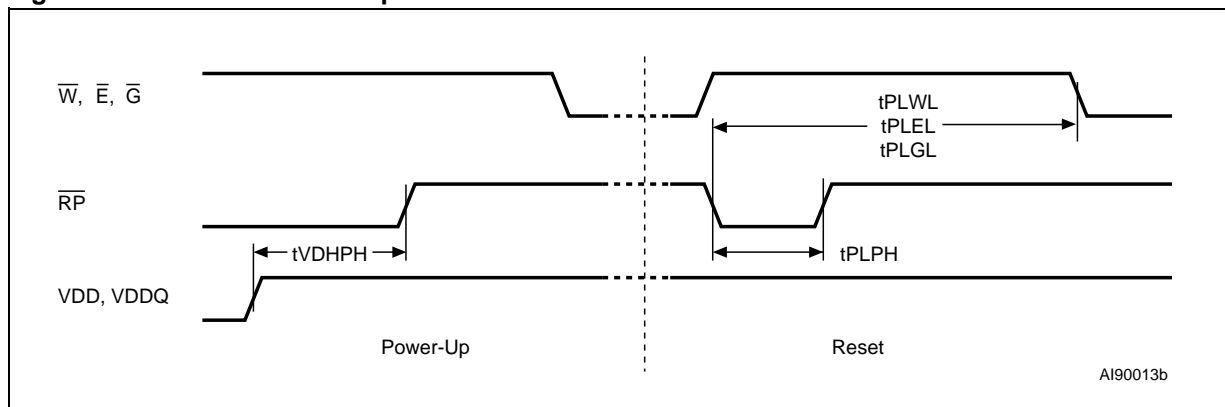


Table 25. Reset and Power-up AC Characteristics

| Symbol | Parameter | Test Condition | Min | Unit |
|--|-----------------------------|--------------------------|-------|---------|
| $t_{PLPH}^{(1,2)}$ | \overline{RP} Pulse Width | | 50 | ns |
| t_{PLWL} t_{PLEL} t_{PLGL} | Reset Low to Device Enabled | During Program and Erase | 10/20 | μ s |
| | | Other Conditions | 80 | ns |
| $t_{VDHPH}^{(3)}$ | Supply Valid to Reset High | | 50 | μ s |

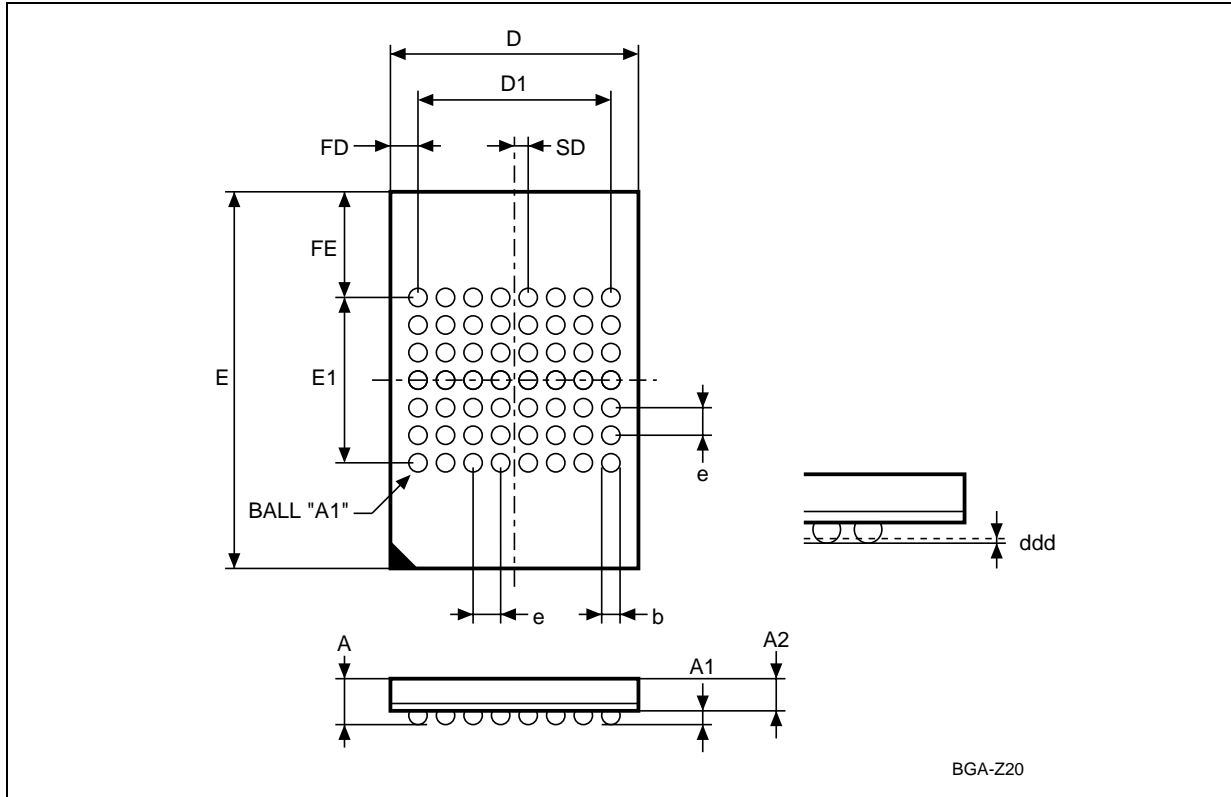
Note: 1. The device Reset is possible but not guaranteed if $t_{PLPH} < 100$ ns.

2. Sampled only, not 100% tested.

3. It is important to assert \overline{RP} in order to allow proper CPU initialization during Power-up or System reset.

PACKAGE MECHANICAL

Figure 17. TFBGA56 6.5x10mm - 8x7 ball array, 0.75 mm pitch, Bottom View Package Outline



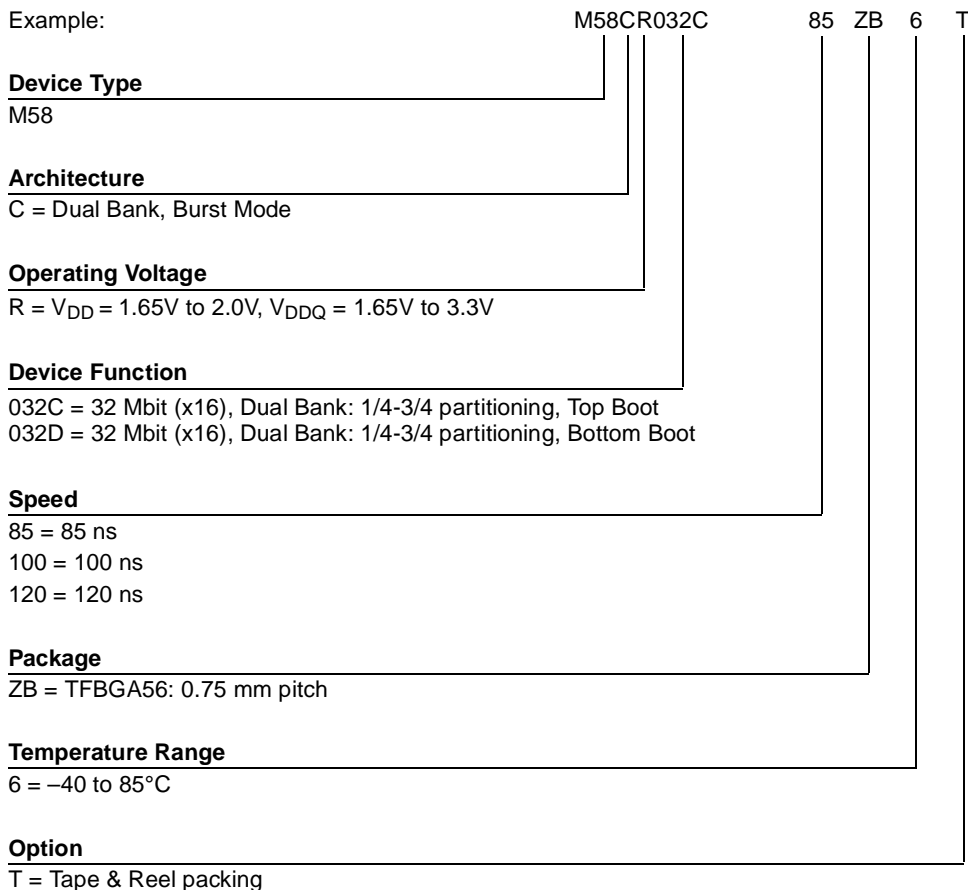
Note: Drawing is not to scale.

Table 26. TFBGA56 6.5x10mm - 8x7 ball array, 0.75 mm pitch, Package Mechanical Data

| Symbol | millimeters | | | inches | | |
|--------|-------------|-------|--------|--------|--------|--------|
| | Typ | Min | Max | Typ | Min | Max |
| A | | 1.010 | 1.200 | | 0.0398 | 0.0472 |
| A1 | | 0.250 | 0.400 | | 0.0098 | 0.0157 |
| A2 | 0.790 | | | 0.0311 | | |
| b | 0.400 | 0.350 | 0.450 | 0.0157 | 0.0138 | 0.0177 |
| D | 6.500 | 6.400 | 6.600 | 0.2559 | 0.2520 | 0.2598 |
| D1 | 5.250 | – | – | 0.2067 | – | – |
| ddd | | | 0.100 | | | 0.0039 |
| E | 10.000 | 9.900 | 10.100 | 0.3937 | 0.3898 | 0.3976 |
| E1 | 4.500 | – | – | 0.1772 | – | – |
| e | 0.750 | – | – | 0.0295 | – | – |
| FD | 0.625 | – | – | 0.0246 | – | – |
| FE | 2.750 | – | – | 0.1083 | – | – |
| SD | 0.375 | – | – | 0.0148 | – | – |

PART NUMBERING

Table 27. Ordering Information Scheme



Devices are shipped from the factory with the memory content bits erased to '1'.
For a list of available options (Speed, Package, etc....) or for further information on any aspect of this device, please contact the ST Sales Office nearest to you.

REVISION HISTORY

Table 28. Document Revision History

| Date | Version | Revision Details |
|-------------|---------|---|
| April 2001 | -01 | First Issue |
| 23-OCT-2001 | -02 | 85ns speed class added, document classified as Preliminary Data |
| 21-Mar-2002 | -03 | Document completely revised. Changes in CFI content, Program and Erase Times Table and DC Characteristics Table |
| 06-Sep-2002 | 3.1 | Revision numbering modified: a minor revision will be indicated by incrementing the digit after the dot, and a major revision, by incrementing the digit before the dot (revision version 03 equals 3.0). Latch Enable, \bar{L} , logic level modified during Asynchronous Read/Write operations as shown in Table 3, Bus Operations. First X-Latency formula modified together with meaning of t_{AVK_CPU} parameter in formula (under Burst Configuration Register Paragraph). Minimum V_{DD} and V_{DDQ} supply voltages reduced to 1.8V for 85ns class speed in Table 17, Operating and AC Measurement Conditions. 'Number of identical-size erase block' parameters modified in Table 32, Device Geometry Definition. |

APPENDIX A. COMMON FLASH INTERFACE

The Common Flash Interface is a JEDEC approved, standardized data structure that can be read from the Flash memory device. It allows a system software to query the device to determine various electrical and timing parameters, density information and functions supported by the memory. The system can interface easily with the device, enabling the software to upgrade itself when necessary.

When the Read CFI Query Command is issued the device enters CFI Query mode and the data

structure is read from the memory. Tables 29, 30, 31, 32, 33, 34 and 35 show the addresses used to retrieve the data.

The CFI data structure also contains a security area where a 64 bit unique security number is written (see Table 35, Security Code area). This area can be accessed only in Read mode by the final user. It is impossible to change the security number after it has been written by ST. Issue a Read command to return to Read mode.

Table 29. Query Structure Overview

| Offset | Sub-section Name | Description |
|--------|---|---|
| 00h | Reserved | Reserved for algorithm-specific information |
| 10h | CFI Query Identification String | Command set ID and algorithm data offset |
| 1Bh | System Interface Information | Device timing & voltage information |
| 27h | Device Geometry Definition | Flash device layout |
| P | Primary Algorithm-specific Extended Query table | Additional information specific to the Primary Algorithm (optional) |
| A | Alternate Algorithm-specific Extended Query table | Additional information specific to the Alternate Algorithm (optional) |
| 80h | Security Code Area | Lock Protection Register Unique device Number and User Programmable OTP |

Note: The Flash memory display the CFI data structure when CFI Query command is issued. In this table are listed the main sub-sections detailed in Tables 30, 31, 32, 33, 34 and 35. Query data are always presented on the lowest order data outputs.

Table 30. CFI Query Identification String

| Offset | Sub-section Name | Description | Value |
|---------|--------------------|--|---------------|
| 00h | 0020h | Manufacturer Code | ST |
| 01h | 88C8h 88C9h | Device Code (M58CR032C/D) | Top Bottom |
| 02h | reserved | Reserved | |
| 03h | reserved | Reserved | |
| 04h-0Fh | reserved | Reserved | |
| 10h | 0051h | Query Unique ASCII String "QRY" | "Q" |
| 11h | 0052h | | "R" |
| 12h | 0059h | | "Y" |
| 13h | 0003h | Primary Algorithm Command Set and Control Interface ID code 16 bit ID code defining a specific algorithm | |
| 14h | 0000h | | |
| 15h | offset = P = 0039h | Address for Primary Algorithm extended Query table (see Table 32) | p = 39h |
| 16h | 0000h | | |
| 17h | 0000h | Alternate Vendor Command Set and Control Interface ID Code second vendor - specified algorithm supported | NA |
| 18h | 0000h | | |
| 19h | value = A = 0000h | Address for Alternate Algorithm extended Query table | NA |
| 1Ah | 0000h | | |

Note: Query data are always presented on the lowest - order data outputs (ADQ0-ADQ7) only. ADQ8-ADQ15 are '0'.

Table 31. CFI Query System Interface Information

| Offset | Data | Description | Value |
|--------|-------|--|-------|
| 1Bh | 0017h | V _{DD} Logic Supply Minimum Program/Erase or Write voltage bit 7 to 4 BCD value in volts bit 3 to 0 BCD value in 100 millivolts | 1.7V |
| 1Ch | 0020h | V _{DD} Logic Supply Maximum Program/Erase or Write voltage bit 7 to 4 BCD value in volts bit 3 to 0 BCD value in 100 millivolts | 2V |
| 1Dh | 0017h | V _{PP} [Programming] Supply Minimum Program/Erase voltage bit 7 to 4 HEX value in volts bit 3 to 0 BCD value in 100 millivolts | 1.7V |
| 1Eh | 00C0h | V _{PP} [Programming] Supply Maximum Program/Erase voltage bit 7 to 4 HEX value in volts bit 3 to 0 BCD value in 100 millivolts | 12V |
| 1Fh | 0004h | Typical time-out per single Byte/Word program = 2 ⁿ μs | 16μs |
| 20h | 0003h | Typical time-out for Quadruple Word Program = 2 ⁿ μs | 8μs |
| 21h | 000Ah | Typical time-out per individual Block Erase = 2 ⁿ ms | 1s |
| 22h | 0000h | Typical time-out for full Chip Erase = 2 ⁿ ms | NA |
| 23h | 0003h | Maximum time-out for Word Program = 2 ⁿ times typical | 128μs |
| 24h | 0004h | Maximum time-out for Quadruple Word = 2 ⁿ times typical | 128μs |
| 25h | 0002h | Maximum time-out per individual Block Erase = 2 ⁿ times typical | 4s |
| 26h | 0000h | Maximum time-out for Chip Erase = 2 ⁿ times typical | NA |

Table 32. Device Geometry Definition

| Offset Word Mode | Data | Description | Value |
|------------------|----------------|--|---------------|
| 27h | 0016h | Device Size = 2 ⁿ in number of Bytes | 4 MByte |
| 28h 29h | 0001h 0000h | Flash Device Interface Code description | x16 Async. |
| 2Ah 2Bh | 0003h 0000h | Maximum number of Bytes in multi-Byte program or page = 2 ⁿ | 8 Byte |
| 2Ch | 0002h | Number of Erase Block Regions within the device bit 7 to 0 = x = number of Erase Block Regions It specifies the number of regions within the device containing one or more contiguous Erase Blocks of the same size. | 2 |

M58CR032C, M58CR032D

| Offset Word Mode | Data | Description | Value | |
|------------------|------------|----------------|--|----------|
| M58CR032C | 2Dh 2Eh | 003Eh 0000h | Region 1 Information Number of identical-size erase block = 003Eh+1 | 63 |
| | 2Fh 30h | 0000h 0001h | Region 1 Information Block size in Region 1 = 0100h * 256 Bytes | 64 KByte |
| | 31h 32h | 0007h 0000h | Region 2 Information Number of identical-size erase block = 0007h+1 | 8 |
| | 33h 34h | 0020h 0000h | Region 2 Information Block size in Region 2 = 0020h * 256 Bytes | 8 KByte |
| | 35h 38h | 0000h | Reserved for future raise block region information | NA |
| M58CR032D | 2Dh 2Eh | 0007h 0000h | Region 1 Information Number of identical-size erase block = 0007h+1 | 8 |
| | 2Fh 30h | 0020h 0000h | Region 1 Information Block size in Region 1 = 0020h * 256 Bytes | 8 KByte |
| | 31h 32h | 003Eh 0000h | Region 2 Information Number of identical-size erase block = 003Eh+1 | 63 |
| | 33h 34h | 0000h 0001h | Region 2 Information Block size in Region 2 = 0100h * 256 Bytes | 64 KByte |
| | 35h 38h | 0000h | Reserved for future raise block region information | NA |

Table 33. Primary Algorithm-Specific Extended Query Table

| Offset | Data | Description | Value |
|--------------|----------------|---|---|
| (P)h = 39h | 0050h | | "P" |
| | 0052h | Primary Algorithm extended Query table unique ASCII string "PRI" | "R" |
| | 0049h | | "I" |
| (P+3)h = 3Ch | 0031h | Major version number, ASCII | "1" |
| (P+4)h = 3Dh | 0030h | Minor version number, ASCII | "0" |
| (P+5)h = 3Eh | 00E6h 0003h | Extended Query table contents for Primary Algorithm. Address (P+5)h contains less significant Byte. | |
| (P+7)h | 0000h | bit 0 Chip Erase supported (1 = Yes, 0 = No) | No |
| (P+8)h | 0000h | bit 1 Erase Suspend supported (1 = Yes, 0 = No) | Yes |
| | | bit 2 Program Suspend supported (1 = Yes, 0 = No) | Yes |
| | | bit 3 Legacy Lock/Unlock supported (1 = Yes, 0 = No) | No |
| | | bit 4 Queued Erase supported (1 = Yes, 0 = No) | No |
| | | bit 5 Instant individual block locking supported (1 = Yes, 0 = No) | Yes |
| | | bit 6 Protection bits supported (1 = Yes, 0 = No) | Yes |
| | | bit 7 Page mode read supported (1 = Yes, 0 = No) | Yes |
| | | bit 8 Synchronous read supported (1 = Yes, 0 = No) | Yes |
| | | bit 9 Simultaneous operation supported (1 = Yes, 0 = No) | Yes |
| | | bit 10 to 31 | Reserved; undefined bits are '0'. If bit 31 is '1' then another 31 bit field of optional features follows at the end of the bit-30 field. |

| Offset | Data | Description | Value |
|---|----------------|---|------------|
| (P+9)h = 42h | 0001h | Supported Functions after Suspend Read Array, Read Status Register and CFI Query bit 0 Program supported after Erase Suspend (1 = Yes, 0 = No) bit 7 to 1 Reserved; undefined bits are '0' | Yes |
| (P+A)h = 43h (P+B)h | 0003h 0000h | Block Protect Status Defines which bits in the Block Status Register section of the Query are implemented. bit 0 Block protect Status Register Lock/Unlock bit active (1 = Yes, 0 = No) bit 1 Block Lock Status Register Lock-Down bit active (1 = Yes, 0 = No) bit 15 to 2 Reserved for future use; undefined bits are '0' | Yes Yes |
| (P+C)h = 45h | 0018h | V _{DD} Logic Supply Optimum Program/Erase voltage (highest performance) bit 7 to 4 HEX value in volts bit 3 to 0 BCD value in 100 mV | 1.8V |
| (P+D)h = 46h | 00C0h | V _{PP} Supply Optimum Program/Erase voltage bit 7 to 4 HEX value in volts bit 3 to 0 BCD value in 100 mV | 12V |
| (P+E)h = 47h (P+F)h (P+10)h (P+11)h (P+12)h | 0000h | Reserved | |

Table 34. Burst Read Information

| Offset | Data | Description | Value |
|---------------|-------|--|--------|
| (P+13)h = 4Ch | 0003h | Page-mode read capability bits 0-7 'n' such that 2 ⁿ HEX value represents the number of read-page Bytes. See offset 28h for device word width to determine page-mode data output width. | 8 Byte |
| (P+14)h = 4Dh | 0003h | Number of synchronous mode read configuration fields that follow. | 3 |
| (P+15)h = 4Eh | 0001h | Synchronous mode read capability configuration 1 bit 3-7 Reserved bit 0-2 'n' such that 2 ⁿ⁺¹ HEX value represents the maximum number of continuous synchronous reads when the device is configured for its maximum word width. A value of 07h indicates that the device is capable of continuous linear bursts that will output data until the internal burst counter reaches the end of the device's burstable address space. This field's 3-bit value can be written directly to the read configuration register bit 0-2 if the device is configured for its maximum word width. See offset 28h for word width to determine the burst data output width. | 4 |
| (P+16)h = 4Fh | 0002h | Synchronous mode read capability configuration 2 | 8 |
| (P+17)h = 50h | 0007h | Synchronous mode read capability configuration 3 | Cont. |
| (P+18)h = 51h | 0036h | Max operating clock frequency (MHz) | 54 MHz |

M58CR032C, M58CR032D

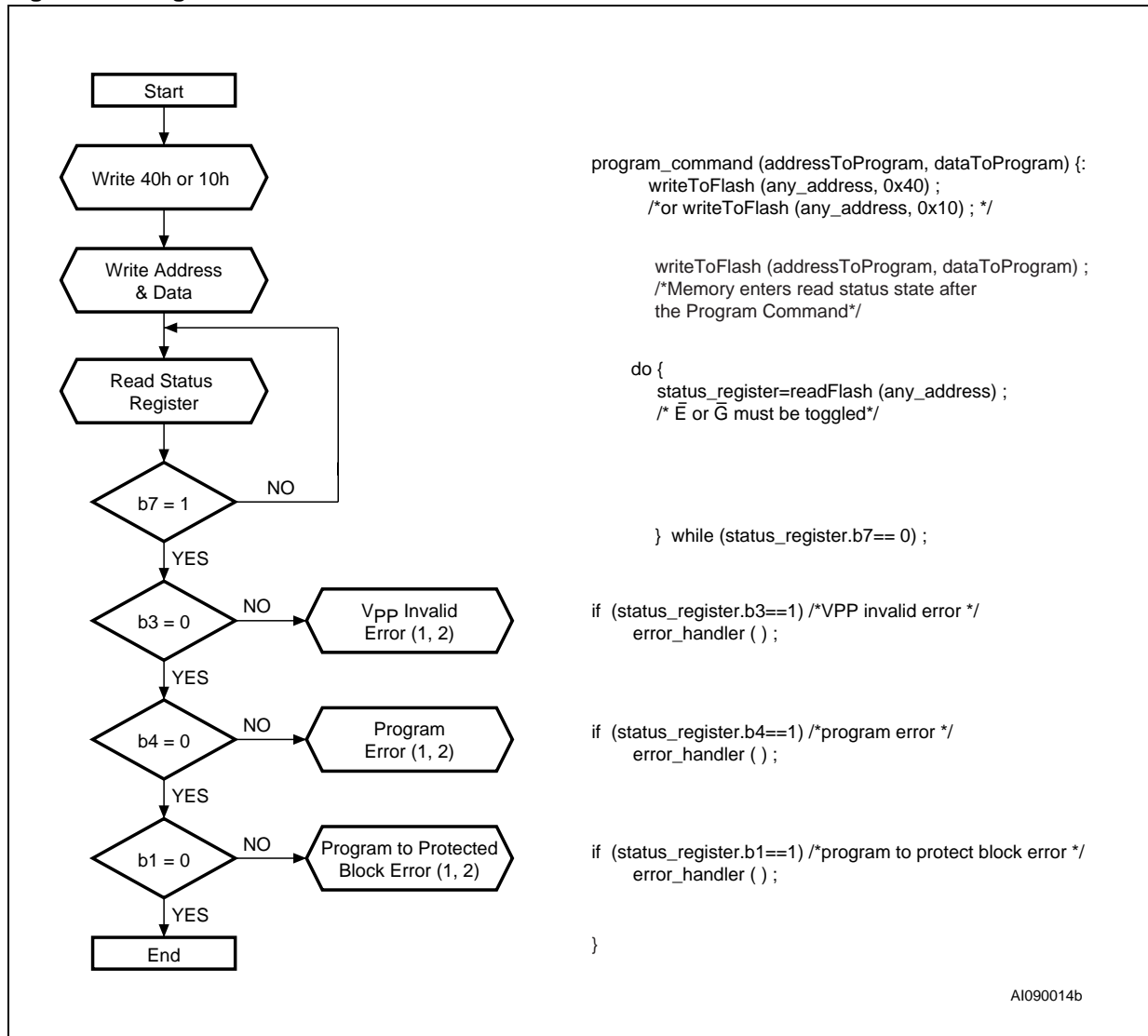
| Offset | Data | Description | Value |
|---------------|-------|---|-----------|
| (P+19)h = 52h | 0001h | Supported handshaking signal ($\overline{\text{WAIT}}$ pin) bit 0 during Synchronous Read (1 = Yes, 0 = No) bit 1 during Asynchronous Read (1 = Yes, 0 = No) | Yes No |

Table 35. Security Code Area

| Offset | Data | Description |
|--------------------------|----------|---|
| 80h | LPR | Lock Protection Register bit 0: ST programmed, value 0 bit 1: OTP protection and bit 2 protection bit bit 2: Security Block Protection bit bits 3 - 15 reserved |
| 81h 82h 83h 84h | ID data | 64 bits: unique device number |
| 85h 86h 87h 88h | OTP data | 64 bits: User Programmable OTP |

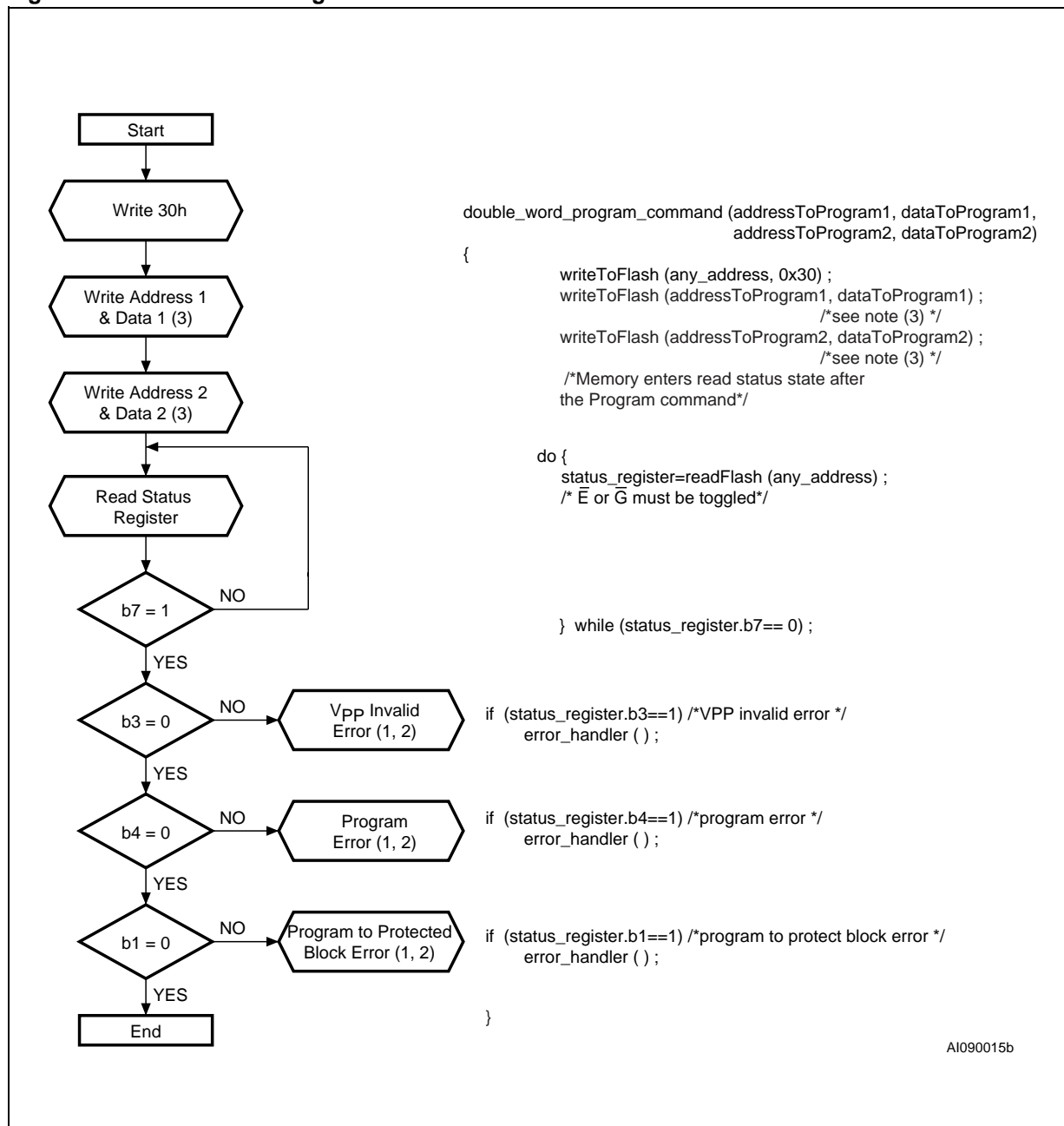
APPENDIX B. FLOWCHARTS AND PSEUDO CODES

Figure 18. Program Flowchart and Pseudo Code



- Note: 1. Status check of b1 (Protected Block), b3 (Vpp Invalid) and b4 (Program Error) can be made after each program operation or after a sequence.
 2. If an error is found, the Status Register must be cleared before further Program/Erase Controller operations.

Figure 19. Double Word Program Flowchart and Pseudo code

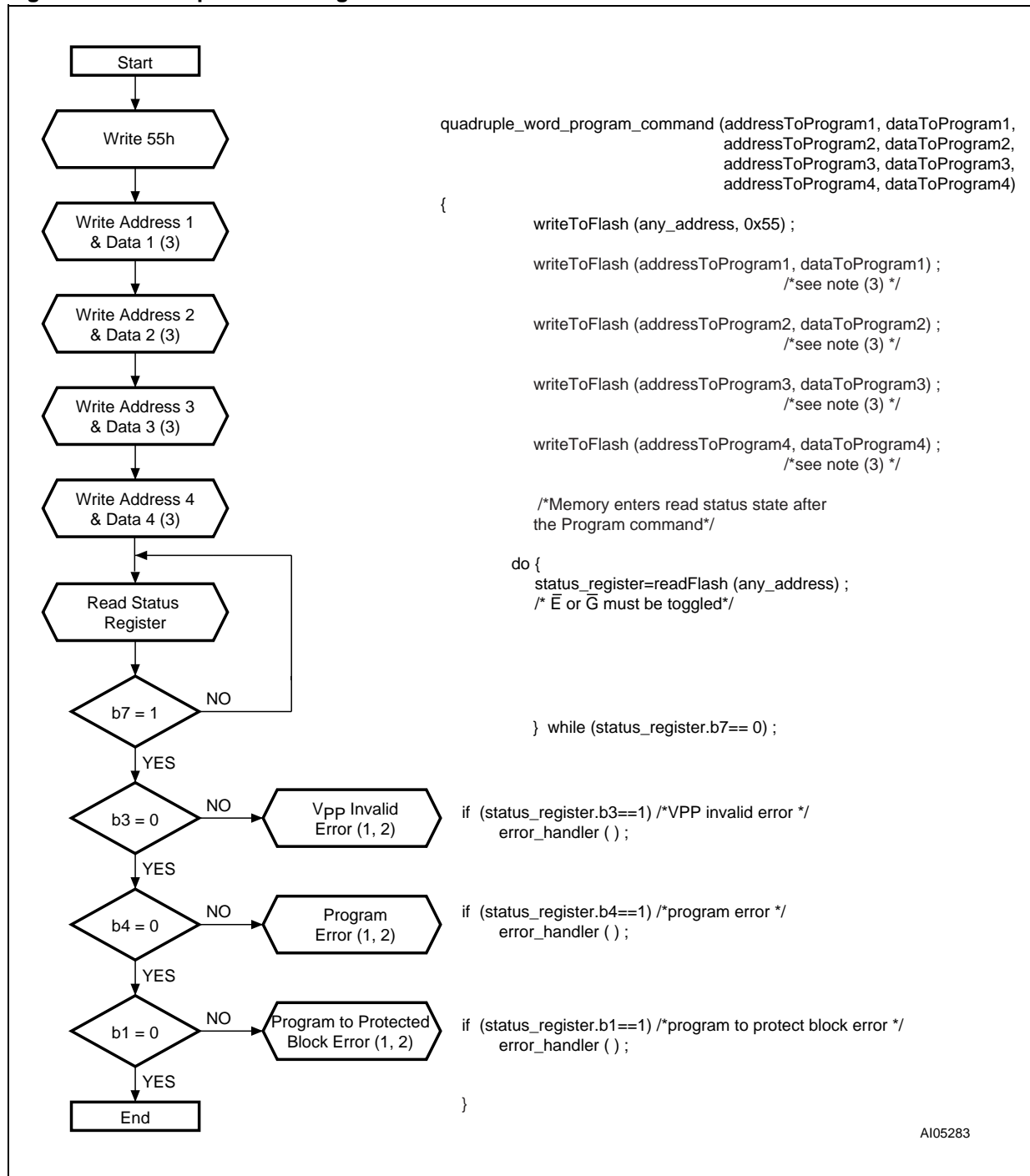


AI090015b

- Note: 1. Status check of b1 (Protected Block), b3 (Vpp Invalid) and b4 (Program Error) can be made after each program operation or after a sequence.
 2. If an error is found, the Status Register must be cleared before further Program/Erase operations.
 3. Address 1 and Address 2 must be consecutive addresses differing only for bit A0.

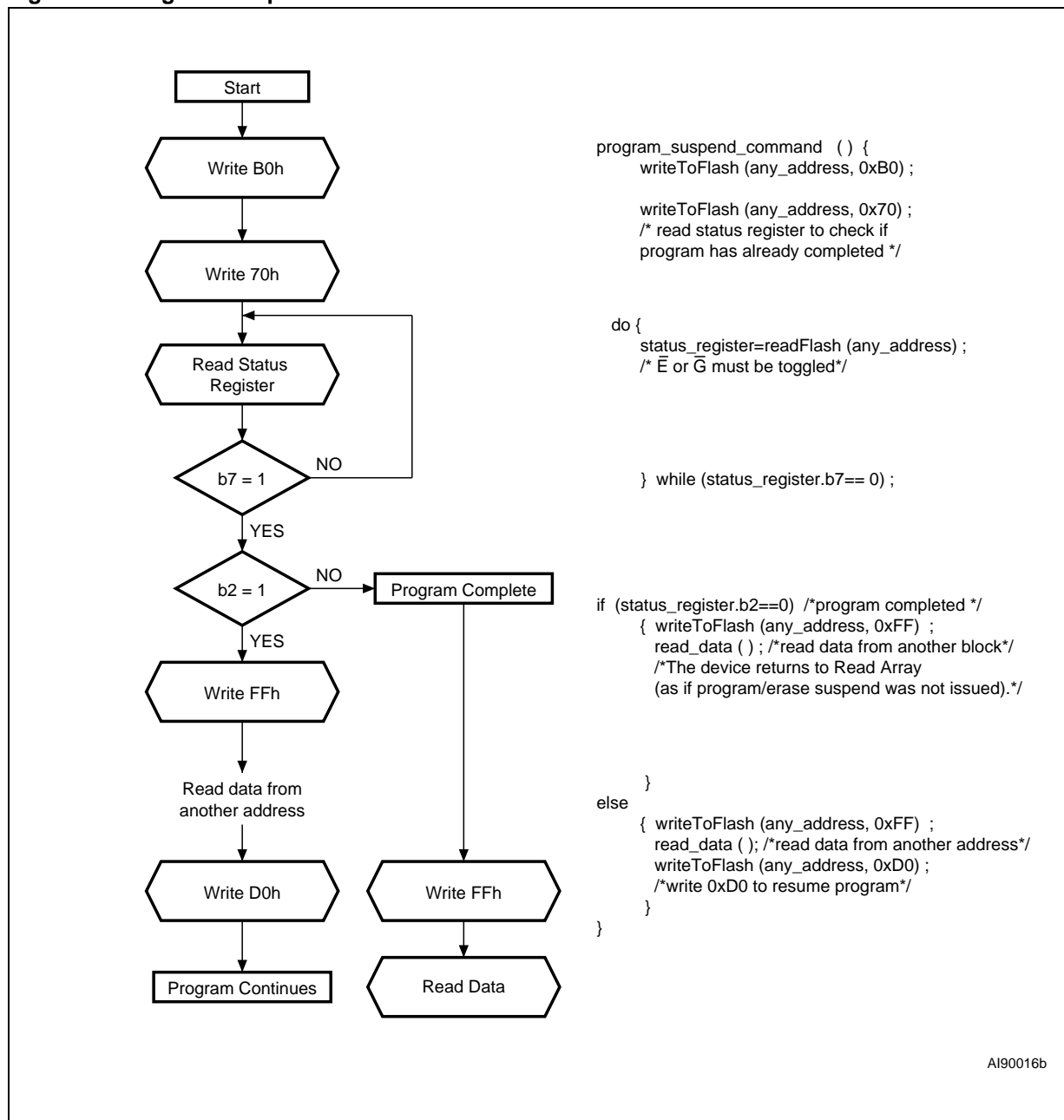


Figure 20. Quadruple Word Program Flowchart and Pseudo Code



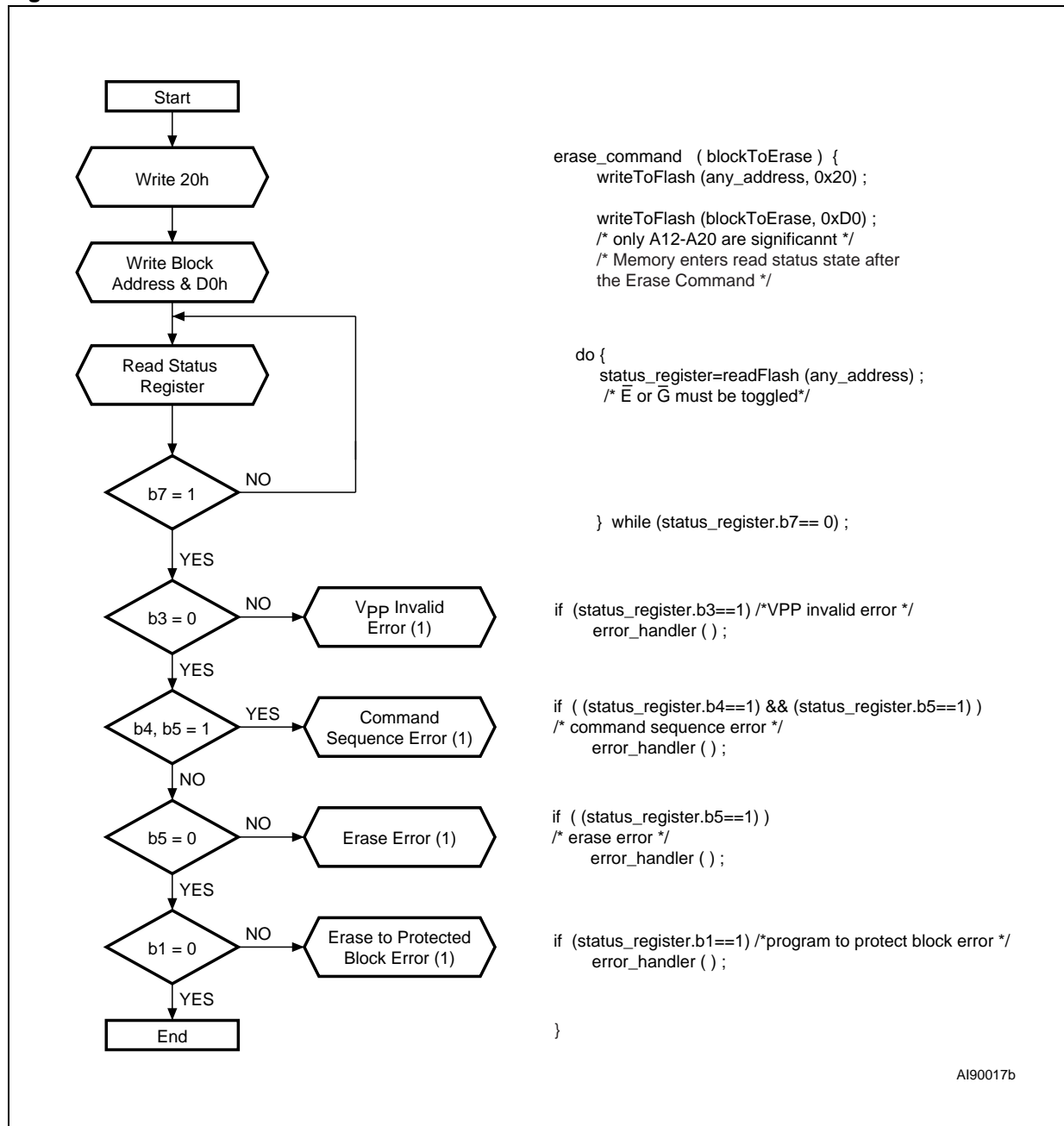
Note: 1. Status check of b1 (Protected Block), b3 (Vpp Invalid) and b4 (Program Error) can be made after each program operation or after a sequence.
 2. If an error is found, the Status Register must be cleared before further Program/Erase operations.
 3. Address 1 to Address 4 must be consecutive addresses differing only for bits A0 and A1.

Figure 21. Program Suspend & Resume Flowchart and Pseudo Code



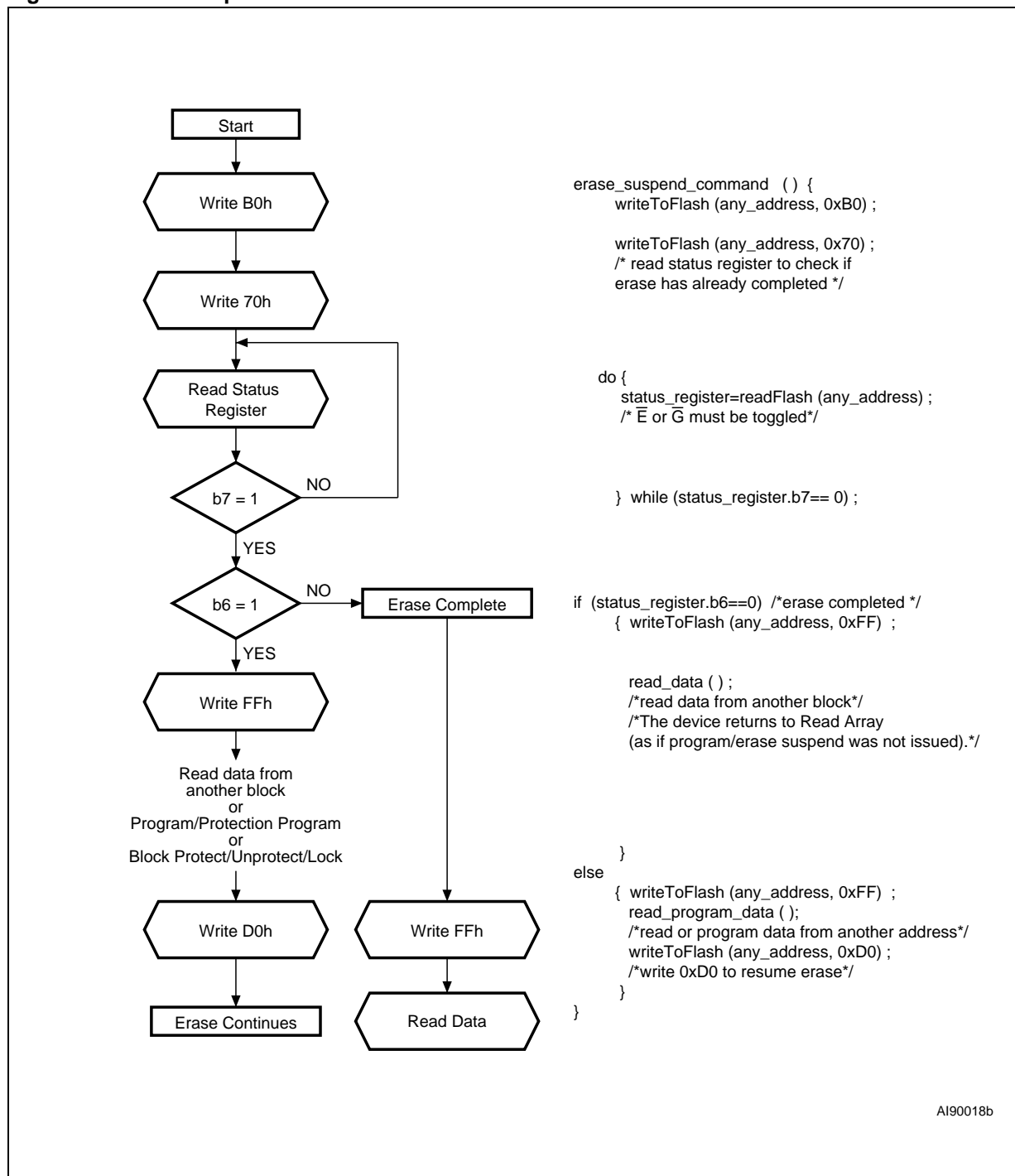
AI90016b

Figure 22. Block Erase Flowchart and Pseudo Code



Note: If an error is found, the Status Register must be cleared before further Program/Erase operations.

Figure 23. Erase Suspend & Resume Flowchart and Pseudo Code



A190018b



Figure 24. Locking Operations Flowchart and Pseudo Code

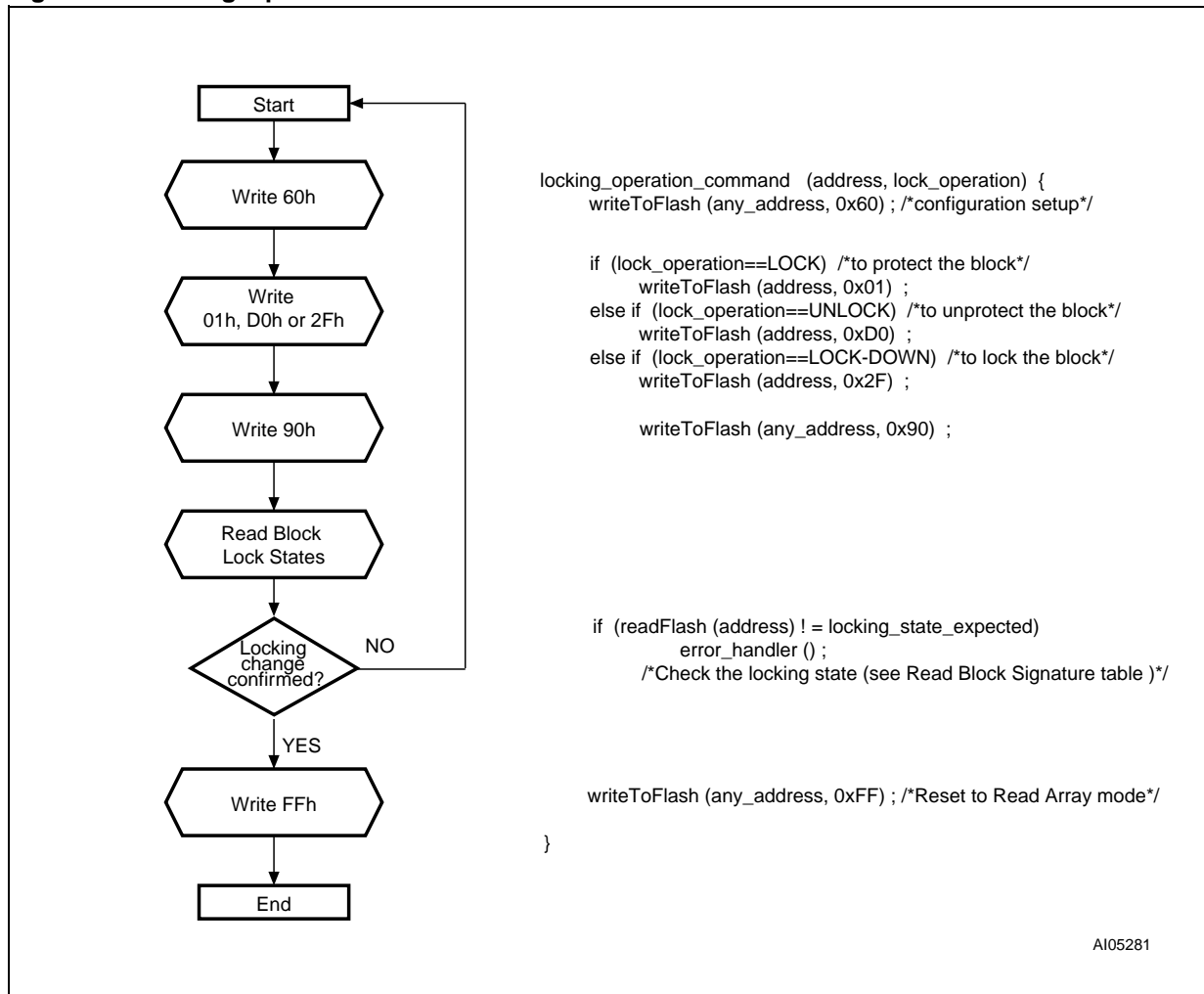
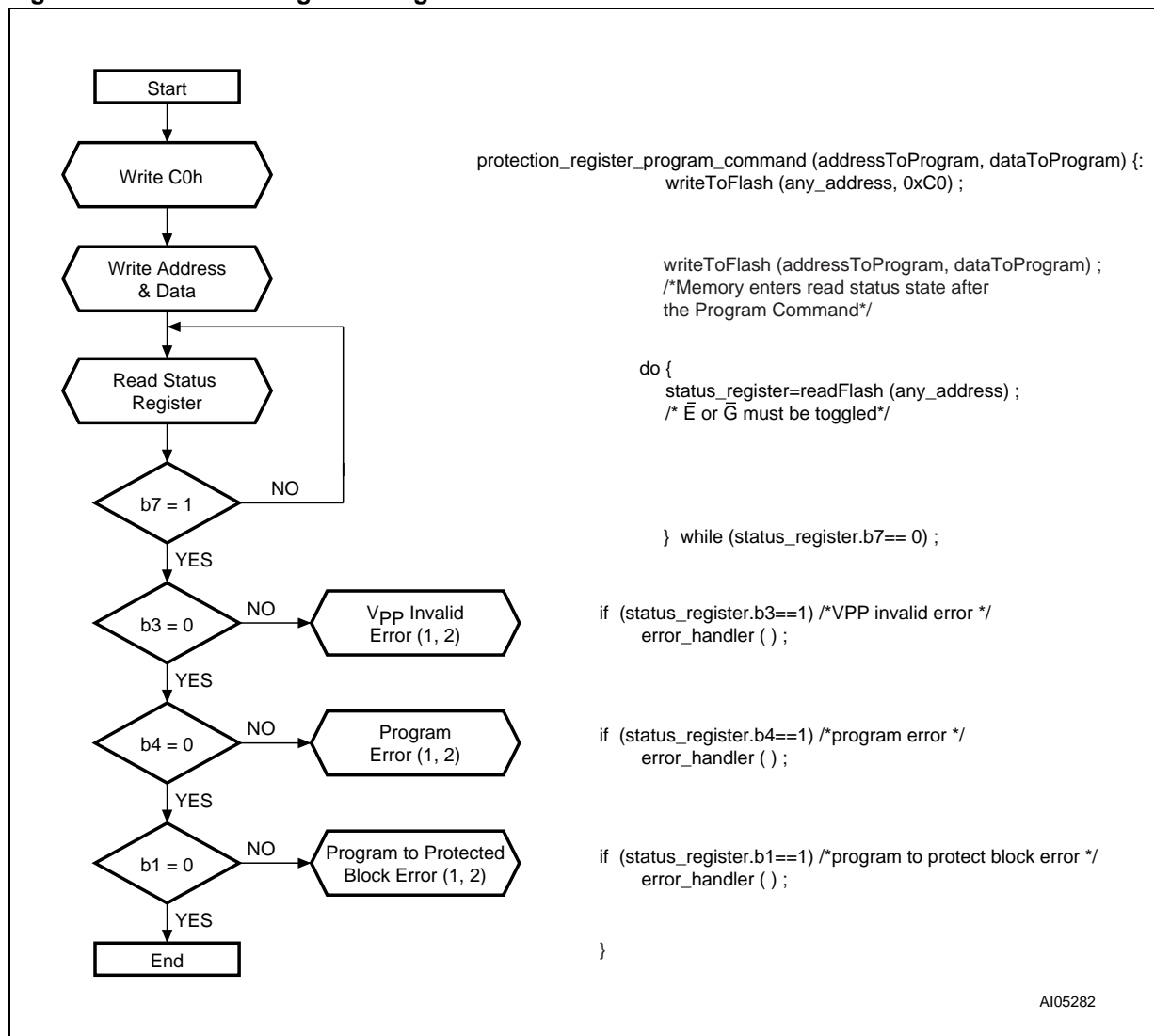


Figure 25. Protection Register Program Flowchart and Pseudo Code



Note: 1. Status check of b1 (Protected Block), b3 (VPP Invalid) and b4 (Program Error) can be made after each program operation or after a sequence.
 2. If an error is found, the Status Register must be cleared before further Program/Erase Controller operations.

APPENDIX C. COMMAND INTERFACE STATE TABLES

Table 36. Command Interface States - Lock table

| Current State of Other Bank | Current State of the Current Bank | | Command Input to the Current Bank (and Next State of the Current Bank) | | | | | | | | | | |
|-----------------------------|-----------------------------------|---------------------------------------|--|--|---|--|--|--|--|---|-----------------------------------|-----------------------------------|-----------------------|
| | Mode | State | Others | Read Array (FFH) | Erase Confirm P/E Resume Unlock Confirm (D0h) | Read Status Register (70h) | Clear Status Register (50h) | Read Electronic Signature (90h) | Read CFI Query (98h) | Block Lock Unlock Lock-Down Setup Set BCR setup (60h) | Block lock Confirm (01h) | Block Lock-Down Confirm (2Fh) | Set BCR Confirm (03h) |
| Any State | Read | Array | SEE MODIFY TABLE | Read Array | Read Array | Read Status Register | Read Array | Read Elect. Sign. | Read CFI | Block Lock, Unlock, Lock-Down, Set BCR Setup | Read Array | Read Array | Read Array |
| | | CFI | | | | | | | | | | | |
| | | Electronic Signature Status | | | | | | | | | | | |
| Any State | Lock Unlock Lock-Down BCR | Setup | Block Lock Unlock Lock-Down Error, Set BCR Error | Block lock Unlock Lock-Down Error, Set BCR Error | Block Lock Unlock Lock-Down Block | Block Lock Unlock Lock-Down Error, Set BCR Error | Block Lock Unlock Lock-Down Error, Set BCR Error | Block Lock Unlock Lock-Down Error, Set BCR Error | Block Lock Unlock Lock-Down Error, Set BCR Error | Block Lock Unlock Lock-Down Error, Set BCR Error | Block Lock Unlock Lock-Down Block | Block Lock Unlock Lock-Down Block | Set BCR |
| | | Error | SEE MODIFY TABLE | Read Array | Read Array | Read Status Register | Read Array | Read Elect. Sign. | Read CFI | Block Lock Unlock Lock-Down Setup, Set BCR Setup | Read Array | Read Array | Read Array |
| | | Lock Unlock Lock-Down Block | | | | | | | | | | | |
| Set BCR | | | | | | | | | | | | | |
| Any State | Protection Register | Done | SEE MODIFY TABLE | Read Array | Read Array | Read Status Register | Read Array | Read Elect. Sign. | Read CFI | Block Lock Unlock Lock-Down Setup, Set BCR Setup | Read Array | Read Array | Read Array |
| Any State | Program-Double/Quadruple Program | Done | SEE MODIFY TABLE | Read Array | Read Array | Read Status Register | Read Array | Read Elect. Sign. | Read CFI | Block Lock Unlock Lock-Down Setup, Set BCR Setup | Read Array | Read Array | Read Array |
| Setup | Program Suspend | Read Array, CFI, Elect. Sign., Status | SEE MODIFY TABLE | PS Read Array | Program (Busy) | PS Read Status Register | PS Read Array | PS Read Elect. Sign. | PS Read CFI | PS Read Array | PS Read Array | PS Read Array | PS Read Array |
| Idle | | | | | | | | | | | | | |
| Erase Suspend | | | | | | | | | | | | | |
| Idle | Block/Bank Erase | Setup | Erase Error | Erase Error | Erase (Busy) | Erase Error | Erase Error | Erase Error | Erase Error | Erase Error | Erase Error | Erase Error | Erase Error |
| Any State | | Done | SEE MODIFY TABLE | Read Array | Read Array | Read Status Register | Read Array | Read Elect. Sign. | Read CFI | Block Lock Unlock Lock-Down Setup, Set BCR Setup | Read Array | Read Array | Read Array |
| Setup | Erase Suspend | Read Array, CFI, Elect. Sign., Status | SEE MODIFY TABLE | ES Read Array | Erase (Busy) | ES Read Status Register | ES Read Array | ES Read Elect. Sign. | ES Read CFI | Block Lock Unlock Lock-Down Setup, Set BCR Setup | ES Read Array | ES Read Array | ES Read Array |
| Busy | | | | | ES Read Array | | | | | | | | |
| Idle | | | | | Erase (Busy) | | | | | | | | |
| Program Suspend | | | | | ES Read Array | | | | | | | | |

Note: PS = Program Suspend, ES = Erase Suspend.



Table 37. Command Interface States - Modify Table

| Current State of the Other Bank | Current State of the Current Bank | | Command Input to the Current Bank (and Next State of the Current Bank) | | | | | | |
|---|---------------------------------------|---|--|----------------------------|----------------------------|-----------------------------|---|--|----------------------------|
| | Mode | State | Others | Program Setup (10h/40h) | Block Erase Setup (20h) | Program-Erase Suspend (B0h) | Protection Register Program Setup (C0h) | Double/Quadruple Program Setup (30h/55h) | Bank Erase Setup (80h) |
| Setup Busy Idle Erase Suspend Program Suspend | Read | Array, CFI, Electronic Signature, Status Register | SEE LOCK TABLE | Read Array | Read Array | Read Array | Read Array | Read Array | Read Array |
| | | | | Program setup | Block Erase Setup | | Protection Register Setup | Double/Quadruple Program Setup | Bank Erase Setup |
| | | | | Read Array | Read Array | | Read Array | Read Array | Read Array |
| | | | | | | | | | |
| Setup Busy Idle Erase Suspend Program Suspend | Lock Unlock Lock-Down BCR | Error, Lock Unlock Lock-Down Block, Set BCR | SEE LOCK TABLE | Read Array | Read Array | Read Array | Read Array | Read Array | Read Array |
| | | | | Program setup | Block Erase Setup | | Protection Register Setup | Double/Quadruple Program Setup | Bank Erase Setup |
| | | | | Read Array | Read Array | | Read Array | Read Array | Read Array |
| | | | | | | | | | |
| Idle Setup Busy Idle Erase Suspend Program Suspend | Protection Register | Setup | Protection Register (Busy) | Protection Register (Busy) | Protection Register (Busy) | Protection Register (Busy) | Protection Register (Busy) | Protection Register (Busy) | Protection Register (Busy) |
| | | Busy | SEE LOCK TABLE | Read Array | Read Array | Read Array | Read Array | Read Array | Read Array |
| | | Idle | | Program Setup | Block Erase Setup | | Protection Register Setup | Double/Quadruple Program Setup | Bank Erase Setup |
| | | Erase Suspend | | Read Array | Read Array | | Read Array | Read Array | Read Array |
| | | Program Suspend | | | | | | | |
| | | Any State | Setup | Program (Busy) | Program (Busy) | Program (Busy) | Program (Busy) | PS Read Status Register | Program (Busy) |
| Idle | Busy | | | | | | | | |
| Setup Busy Idle Erase Suspend Program Suspend | Program Double/Quadruple Word Program | Done | SEE LOCK TABLE | Read Array | Read Array | Read Array | Read Array | Read Array | Read Array |
| | | | | Program Setup | Block Erase Setup | | Protection Register Setup | Double/Quadruple Program Setup | Bank Erase Setup |
| | | | | Read Array | Read Array | | Read Array | Read Array | Read Array |
| | | | | | | | | | |
| Setup Idle Erase Suspend | Program Suspend | Read Array, CFI, Elect. Sign., Status Register | SEE LOCK TABLE | PS Read Array | PS Read Array | PS Read Array | PS Read Array | PS Read Array | PS Read Array |
| | | | | | | | | | |
| | | | | | | | | | |
| Idle | Block/ Bank Erase | Setup | SEE LOCK TABLE | Erase Error | Erase Error | Erase Error | Erase Error | Erase Error | Erase Error |
| | | Busy | Erase (Busy) | Erase (Busy) | Erase (Busy) | ES Read Status Register | Erase (Busy) | Erase (Busy) | Erase (Busy) |
| Setup Busy Idle Program Suspend | Erase Suspend | Read Array, CFI, Elect. Sign., Status Register | SEE LOCK TABLE | ES Read Array | ES Read Array | ES Read Array | ES Read Array | ES Read Array | ES Read Array |
| | | | | Program Setup | | | | Double/Quadruple Program Setup | |
| | | | | ES Read Array | | | | ES Read Array | |

Note: PS = Program Suspend, ES = Erase Suspend.



Information furnished is believed to be accurate and reliable. However, STMicroelectronics assumes no responsibility for the consequences of use of such information nor for any infringement of patents or other rights of third parties which may result from its use. No license is granted by implication or otherwise under any patent or patent rights of STMicroelectronics. Specifications mentioned in this publication are subject to change without notice. This publication supersedes and replaces all information previously supplied. STMicroelectronics products are not authorized for use as critical components in life support devices or systems without express written approval of STMicroelectronics.

The ST logo is registered trademark of STMicroelectronics
All other names are the property of their respective owners.

© 2002 STMicroelectronics - All Rights Reserved

STMicroelectronics GROUP OF COMPANIES
Australia - Brazil - Canada - China - Finland - France - Germany - Hong Kong - India - Israel - Italy - Japan - Malaysia - Malta -
Morocco - Singapore - Spain - Sweden - Switzerland - United Kingdom - United States

www.st.com