

---

# 2SC5554

Silicon NPN Epitaxial  
VHF / UHF wide band amplifier

# HITACHI

ADE-208-692 (Z)  
1st. Edition  
Oct. 1998

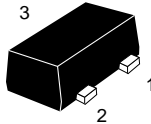
---

## Features

- Super compact package;  
( $1.4 \times 0.8 \times 0.59\text{mm}$ )
- Capable low voltage operation ;  
( $V_{CE} = 1\text{V}$ )

## Outline

MFPAK



1. Emitter
2. Base
3. Collector

Note: Marking is "YH-".

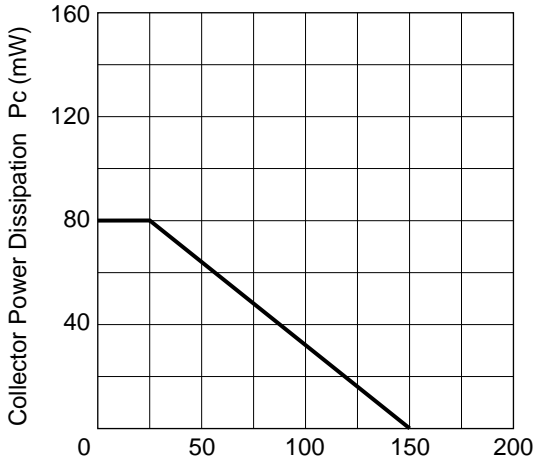
**Absolute Maximum Ratings** ( $T_a = 25^\circ\text{C}$ )

Item	Symbol	Ratings	Unit
Collector to base voltage	$V_{\text{CBO}}$	15	V
Collector to emitter voltage	$V_{\text{CEO}}$	9	V
Emitter to base voltage	$V_{\text{EBO}}$	1.5	V
Collector current	$I_{\text{C}}$	20	mA
Collector power dissipation	$P_{\text{c}}$	80	mW
Junction temperature	$T_{\text{j}}$	150	$^\circ\text{C}$
Storage temperature	$T_{\text{stg}}$	-55 to +150	$^\circ\text{C}$

**Electrical Characteristics** ( $T_a = 25^\circ\text{C}$ )

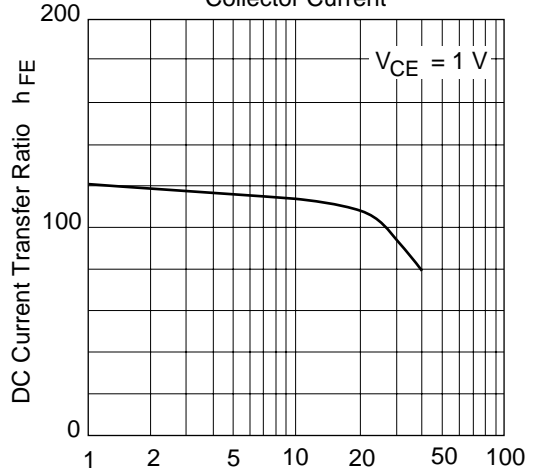
Item	Symbol	Min	Typ	Max	Unit	Test Conditions
Collector cutoff current	$I_{\text{CBO}}$	—	—	10	$\mu\text{A}$	$V_{\text{CB}} = 15\text{V}$ , $I_{\text{E}} = 0$
Collector cutoff current	$I_{\text{CEO}}$	—	—	1	mA	$V_{\text{CE}} = 9\text{V}$ , $R_{\text{BE}} = \infty$
Emitter cutoff current	$I_{\text{EBO}}$	—	—	10	$\mu\text{A}$	$V_{\text{EB}} = 1.5\text{V}$ , $I_{\text{C}} = 0$
DC current transfer ratio	$h_{\text{FE}}$	50	120	250	V	$V_{\text{CE}} = 1\text{V}$ , $I_{\text{C}} = 5\text{mA}$
Collector output capacitance	$C_{\text{ob}}$	—	0.6	0.9	pF	$V_{\text{CB}} = 1\text{V}$ , $I_{\text{E}} = 0$ $f = 1\text{MHz}$
Gain bandwidth product	$f_{\text{T}}$	3.5	7	—	GHz	$V_{\text{CE}} = 1\text{V}$ , $I_{\text{C}} = 5\text{mA}$
Power gain	PG	9	12	—	dB	$V_{\text{CE}} = 1\text{V}$ , $I_{\text{C}} = 5\text{mA}$ $f = 900\text{MHz}$
Noise figure	NF	—	1.4	3	dB	$V_{\text{CE}} = 1\text{V}$ , $I_{\text{C}} = 5\text{mA}$ $f = 900\text{MHz}$

Maximum Collector Dissipation Curve



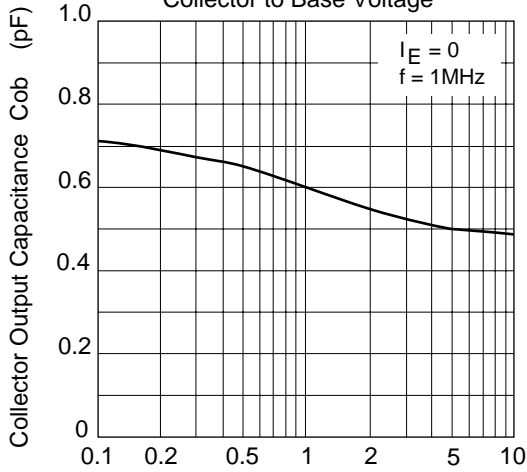
Ambient Temperature Ta (°C)

DC Current Transfer Ratio vs. Collector Current



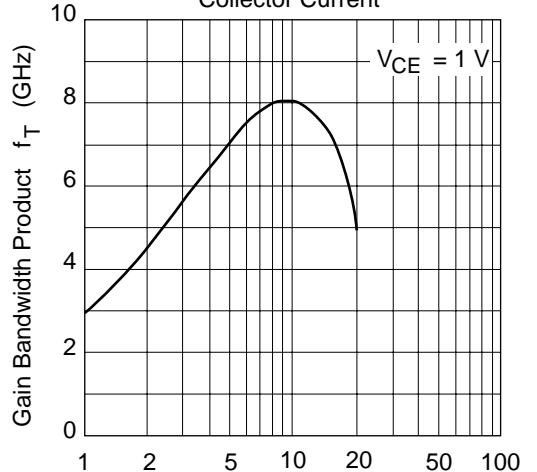
Collector Current IC (mA)

Collector Output Capacitance vs. Collector to Base Voltage

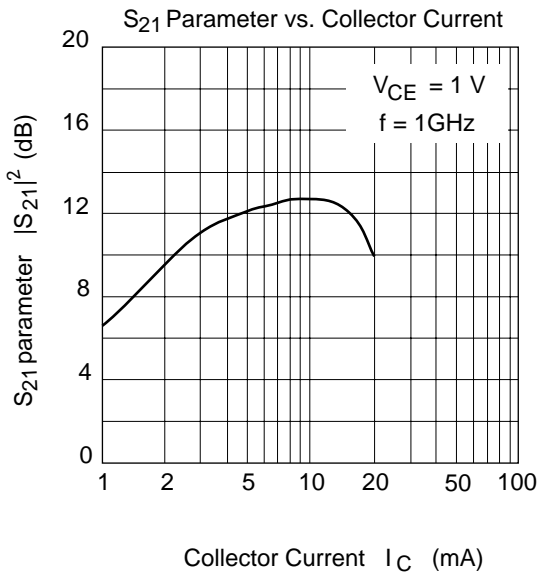
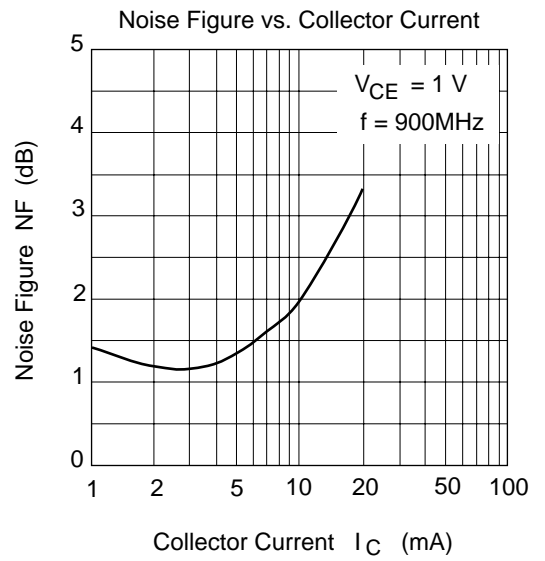
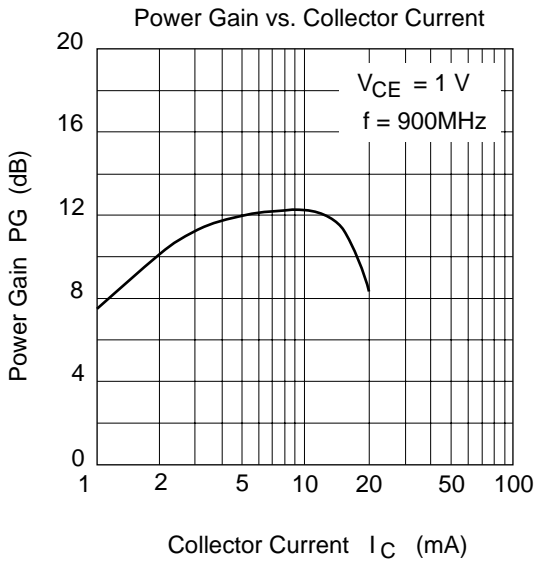


Collector to Base Voltage VCB (V)

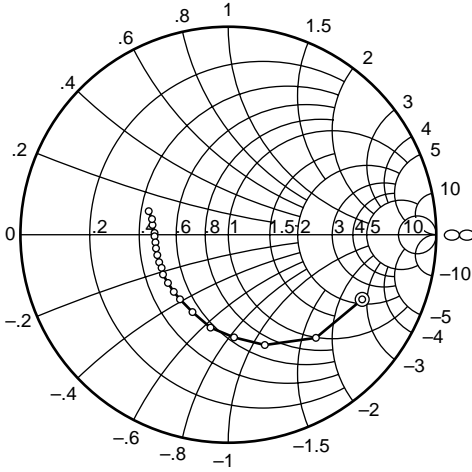
Gain Bandwidth Product vs. Collector Current



Collector Current IC (mA)



S11 Parameter vs. Frequency

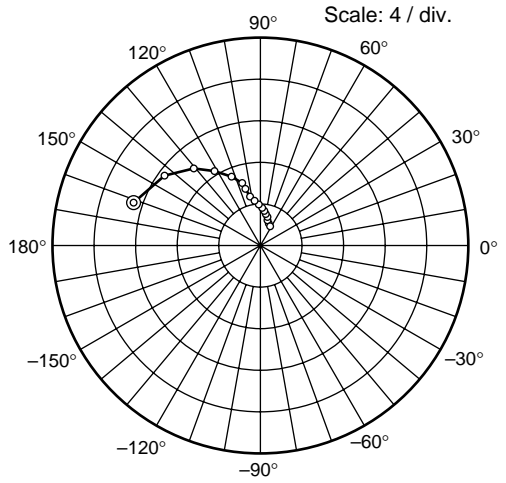


Condition :  $V_{CE} = 1\text{ V}$  ,  $I_C = 5\text{ mA}$

100 to 2000 MHz (100 MHz step)

⊙—○

S21 Parameter vs. Frequency

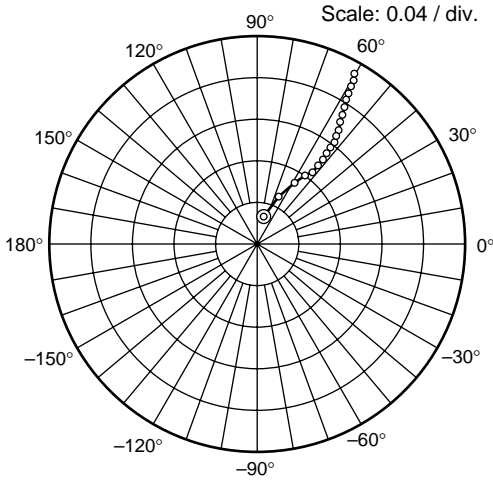


Condition :  $V_{CE} = 1\text{ V}$  ,  $I_C = 5\text{ mA}$

100 to 2000 MHz (100 MHz step)

⊙—○

S12 Parameter vs. Frequency

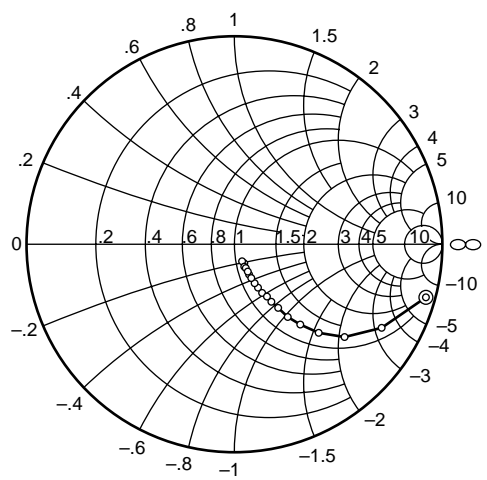


Condition :  $V_{CE} = 1\text{ V}$  ,  $I_C = 5\text{ mA}$

100 to 2000 MHz (100 MHz step)

⊙—○

S22 Parameter vs. Frequency



Condition :  $V_{CE} = 1\text{ V}$  ,  $I_C = 5\text{ mA}$

100 to 2000 MHz (100 MHz step)

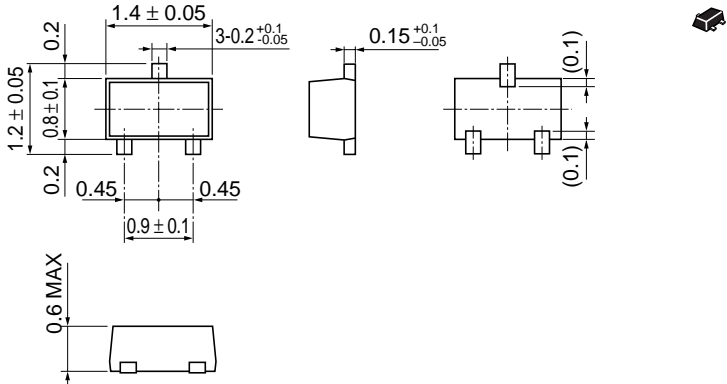
⊙—○

**Sparameter** ( $V_{CE} = 1V$ ,  $I_C = 5mA$ ,  $Z_o = 50\Omega$ )

f (MHz)	S11		S21		S12		S22	
	MAG	ANG	MAG	ANG	MAG	ANG	MAG	ANG
100	0.715	-25.4	13.06	161.3	0.0279	76.6	0.947	-16.1
200	0.647	-50.1	11.47	144.2	0.0517	65.6	0.828	-30.2
300	0.559	-71.5	9.74	131.0	0.0681	58.4	0.697	-40.4
400	0.501	-88.2	8.28	121.3	0.0798	54.6	0.587	-47.0
500	0.453	-102.5	7.08	113.7	0.0882	52.4	0.501	-51.3
600	0.416	-114.8	6.16	108.1	0.0955	51.8	0.433	-54.3
700	0.393	-125.4	5.43	103.1	0.102	51.7	0.378	-56.2
800	0.378	-134.4	4.84	99.3	0.109	52.1	0.333	-57.3
900	0.369	-142.8	4.37	95.7	0.115	52.7	0.295	-58.0
1000	0.357	-149.5	3.99	92.5	0.122	53.5	0.266	-58.4
1100	0.361	-156.6	3.66	89.7	0.128	54.2	0.240	-58.6
1200	0.358	-162.2	3.38	87.2	0.135	55.1	0.217	-58.5
1300	0.358	-167.5	3.15	84.9	0.141	56.0	0.199	-58.0
1400	0.362	-172.5	2.96	82.7	0.148	56.9	0.180	-58.0
1500	0.362	-177.3	2.78	80.9	0.155	57.2	0.166	-57.2
1600	0.369	178.8	2.64	78.6	0.163	58.1	0.151	-56.9
1700	0.373	174.7	2.50	77.2	0.169	58.8	0.137	-56.6
1800	0.377	171.1	2.38	75.1	0.177	59.2	0.126	-56.4
1900	0.388	168.3	2.28	73.3	0.183	59.6	0.113	-56.2
2000	0.395	165.3	2.18	71.8	0.191	60.1	0.102	-55.7

Package Dimensions

As of January, 2001  
Unit: mm



Hitachi Code	MFPAK
JEDEC	—
EIAJ	—
Mass (reference value)	0.0016 g

**Cautions**

1. Hitachi neither warrants nor grants licenses of any rights of Hitachi's or any third party's patent, copyright, trademark, or other intellectual property rights for information contained in this document. Hitachi bears no responsibility for problems that may arise with third party's rights, including intellectual property rights, in connection with use of the information contained in this document.
2. Products and product specifications may be subject to change without notice. Confirm that you have received the latest product standards or specifications before final design, purchase or use.
3. Hitachi makes every attempt to ensure that its products are of high quality and reliability. However, contact Hitachi's sales office before using the product in an application that demands especially high quality and reliability or where its failure or malfunction may directly threaten human life or cause risk of bodily injury, such as aerospace, aeronautics, nuclear power, combustion control, transportation, traffic, safety equipment or medical equipment for life support.
4. Design your application so that the product is used within the ranges guaranteed by Hitachi particularly for maximum rating, operating supply voltage range, heat radiation characteristics, installation conditions and other characteristics. Hitachi bears no responsibility for failure or damage when used beyond the guaranteed ranges. Even within the guaranteed ranges, consider normally foreseeable failure rates or failure modes in semiconductor devices and employ systemic measures such as fail-safes, so that the equipment incorporating Hitachi product does not cause bodily injury, fire or other consequential damage due to operation of the Hitachi product.
5. This product is not designed to be radiation resistant.
6. No one is permitted to reproduce or duplicate, in any form, the whole or part of this document without written approval from Hitachi.
7. Contact Hitachi's sales office for any questions regarding this document or Hitachi semiconductor products.

# HITACHI

**Hitachi, Ltd.**

Semiconductor & Integrated Circuits.  
 Nippon Bldg., 2-6-2, Ohte-machi, Chiyoda-ku, Tokyo 100-0004, Japan  
 Tel: Tokyo (03) 3270-2111 Fax: (03) 3270-5109

URL	NorthAmerica	: <a href="http://semiconductor.hitachi.com/">http://semiconductor.hitachi.com/</a>
	Europe	: <a href="http://www.hitachi-eu.com/hel/ecg">http://www.hitachi-eu.com/hel/ecg</a>
	Asia	: <a href="http://sicapac.hitachi-asia.com">http://sicapac.hitachi-asia.com</a>
	Japan	: <a href="http://www.hitachi.co.jp/Sicd/indx.htm">http://www.hitachi.co.jp/Sicd/indx.htm</a>

**For further information write to:**

Hitachi Semiconductor  
 (America) Inc.  
 179 East Tasman Drive,  
 San Jose, CA 95134  
 Tel: <1> (408) 433-1990  
 Fax: <1> (408) 433-0223

Hitachi Europe GmbH  
 Electronic Components Group  
 Dornacher Straße 3  
 D-85622 Feldkirchen, Munich  
 Germany  
 Tel: <49> (89) 9 9180-0  
 Fax: <49> (89) 9 29 30 00

Hitachi Europe Ltd.  
 Electronic Components Group.  
 Whitebrook Park  
 Lower Cookham Road  
 Maidenhead  
 Berkshire SL6 8YA, United Kingdom  
 Tel: <44> (1628) 585000  
 Fax: <44> (1628) 585160

Hitachi Asia Ltd.  
 Hitachi Tower  
 16 Collyer Quay #20-00,  
 Singapore 049318  
 Tel : <65>-538-6533/538-8577  
 Fax : <65>-538-6933/538-3877  
 URL : <http://www.hitachi.com.sg>

Hitachi Asia Ltd.  
 (Taipei Branch Office)  
 4/F, No. 167, Tun Hwa North Road,  
 Hung-Kuo Building,  
 Taipei (105), Taiwan  
 Tel : <886>-(2)-2718-3666  
 Fax : <886>-(2)-2718-8180  
 Telex : 23222 HAS-TP  
 URL : <http://www.hitachi.com.tw>

Hitachi Asia (Hong Kong) Ltd.  
 Group III (Electronic Components)  
 7/F., North Tower,  
 World Finance Centre,  
 Harbour City, Canton Road  
 Tsim Sha Tsui, Kowloon,  
 Hong Kong  
 Tel : <852>-(2)-735-9218  
 Fax : <852>-(2)-730-0281  
 URL : <http://www.hitachi.com.hk>

Copyright © Hitachi, Ltd., 2000. All rights reserved. Printed in Japan.  
 Colophon 2.0



This datasheet has been download from:

[www.datasheetcatalog.com](http://www.datasheetcatalog.com)

Datasheets for electronics components.