

NEC
ELECTRON DEVICE

MOS INTEGRATED CIRCUITS

 μ PD16305GF

40bit ROW Driver for AC-PDP

The μ PD16305 is a ROW driver utilized high voltage CMOS for AC plasma display panel. It consists of a 40bit bidirectional shift register, latch circuit, high voltage CMOS driver.

It operates at 5V (CMOS input level) and provides high voltage CMOS, 200V and 400mA max.

Features :

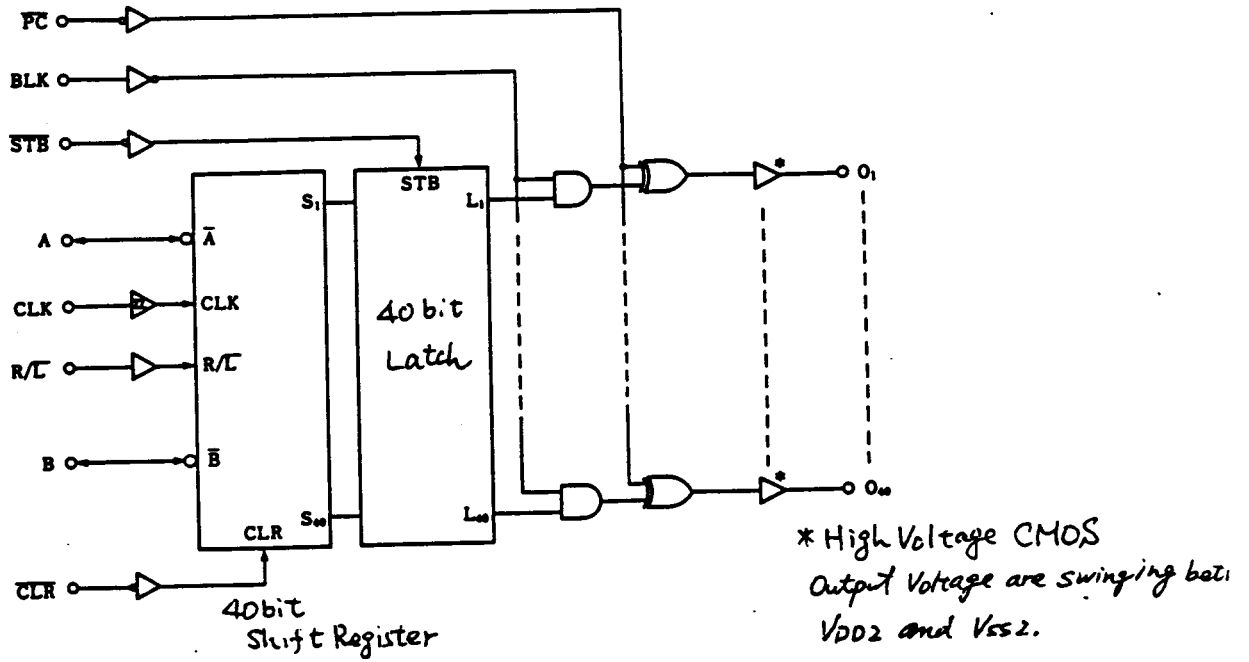
- High voltage CMOS structure
- High voltage/current Output (200V, 400mA max.)
- Built-in 40bit bidirectional shift register
- Low power dissipation (1mA max., $T_a = -40 \sim +85^\circ\text{C}$)
- Wide operating temperature ($-40 \sim +85^\circ\text{C}$)

• ORDERING INFORMATION :

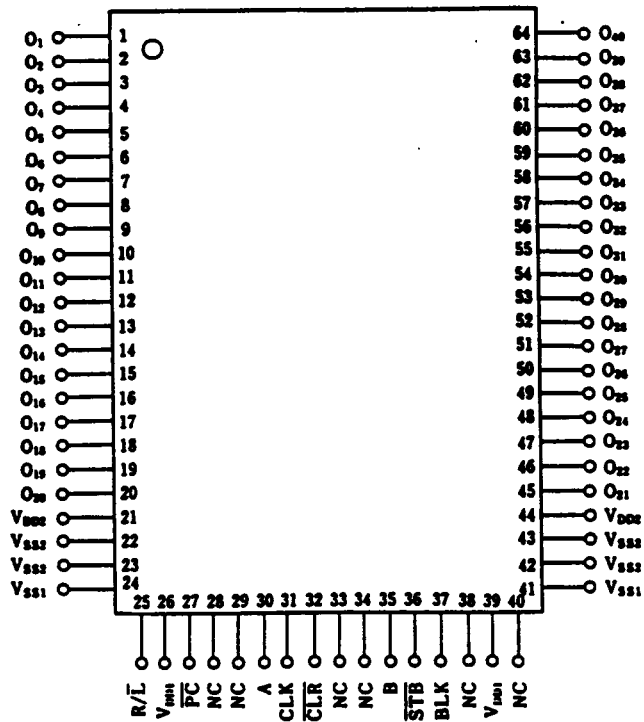
μ PD16305GF-3L9 : 80pin Plastic QFP (tri directional lead)

NEC reserves the right to make changes at any time without notice in order to improve design and supply the best product possible.

(BLOCK DIAGRAM)



(Top View)



- * Please connect between outside the same power supply pins, such as V_{DD1}, V_{DD2}, and V_{SS1} and V_{SS2}.
- * Please open 33pin because of connecting lead frame.

Pin Configuration

SYMBOL	Pin Name	Pin No.	Function
BLK	Blank Input	37	Refer to below Table 3
A	Right Data I/O	30	R/ \bar{L} =H : A=IN, B=OUT R/L=L : B=IN, A=OUT
B	Left Data I/O	35	
CLK	Shift Clock Input	31	Positive edge active
\overline{STB}	Latch enable Input	36	H : Latch L : Data Through
R/ \bar{L}	Shift Direction Control Input	25	H : Right shift mode A \rightarrow O1~O40 \rightarrow B L : Left shift mode B \rightarrow O40~O1 \rightarrow A
\overline{CLR}	Clear Input	32	L : Shift Register. ALL L
\overline{PC}	High Voltage Output	27	REFER TO TRUTH TABLE 3
O1 ~ O40	High Voltage Output	1~20, 45~64	200V 400mA max.
VDD1	Logic Power Supply	26, 39	5V \pm 10%
VDD2	Driver Power Supply	21, 44	30~240V
VSS1	Ground (Logic)	24, 41	——
VSS2	Ground (Driver)	22, 23, 42, 43	——
NC	No Connection	28, 29, 33, 34 38, 40	No connection Please open 33 pin.

Truth Table 1 (Shift Register)

R/L	CLK	A	B	SHIFT REGISTER
H	↑	Input	Output	Data shift (to Right)
H	H OR L			No change
L	↑	Output	Input	Data shift (to Left)
L	H OR L			No change

Truth Table 2 (Latch)

$\overline{\text{STB}}$	OPERATION
H	Data keep just before STB turns H.
L	Shift register data are output.

Truth Table 3 (Driver)

DATA	BLK	$\overline{\text{P C}}$	O n	Note
H	L	L	L	Data Reverse Output
L	L	L	H	Data Reverse Output
H	L	H	H	Data Output
L	L	H	L	Data Output
x	H	L	H	All Output : H
x	H	H	L	All Output : L

H = High level, L = Low level, x = H or L

Z = High Impedance

DATA = Contents of Latch L1~L40
(DATA are inverted A/B input.)

Absolute Maximum Ratings
 (Ta=25°C, Vss1 = Vss2 = 0V)

ITEMS	SYMBOL	RATINGS	UNIT
Logic Power Supply	VDD1	-0.5~+7.0	V
Driver Power Supply	VDD2	-0.5~+200	V
Logic Output Voltage	V1	-0.5~VDD1+0.5	V
Driver Maximum current	I O	400 *1	mA
Input Current	I I	±25	mA
Power Dissipation/Package	PD	1000	mW
Operating Temperature	Topt	-40~+85	°C
Storage Temperature	Tstg	-65~+150	°C

*1 Duty ≤ 1/40

Recommended Operating Conditions
 (Ta = -40 ~ +85°C, Vss1 = Vss2 = 0V)

ITEM	SYMBOL	MIN.	TYP.	MAX.	UNIT.
Logic Power Supply	VDD1	4.5	5.0	5.5	V
Driver Power Supply	VDD2			180	V
Low Level Input Voltage	V IL	0		0.2·VDD1	V
High Level Input Voltage	V IH	0.7·VDD1		VDD1	V
Driver Output Current	I O			±300	mA

Electrical Characteristics
 (Ta = 25°C, VDD1 = 4.5 ~ 5.5V, VDD2 = 180V
 Vss = 0V)

ITEM	SYMBOL	CONDITION	MIN.	TYP.	MAX.	UNIT
High Level Output Voltage	VOH1	Logic IOH=-1mA	0.9·VDD1			V
Low Level Output Voltage	VOL1	Logic IOL=1mA			0.1·VDD1	V
High Level Output Voltage	VOH21	O1-40, IOH=-150mA	160			V
	VOH22	O1-40, IOH=-300mA	140			V
Low Level Output Voltage	VOL21	O1-40, IOL=150mA			20	V
	VOL22	O1-40, IOL=300mA			40	V
Input current	II	V1=VDD1 or Vss			±1	μA
High Level Input Voltage	VIH		0.7 VDD1			V
Low Level Input Voltage	VIL				0.2 VDD1	V
Stand by Current	IDD1	Logic:-40~+85°C			1	μA
		Logic:Ta=25°C			10	μA
	IDD2	Driver:-40~+85°C			1	μA
		Driver:Ta=25°C			100	μA

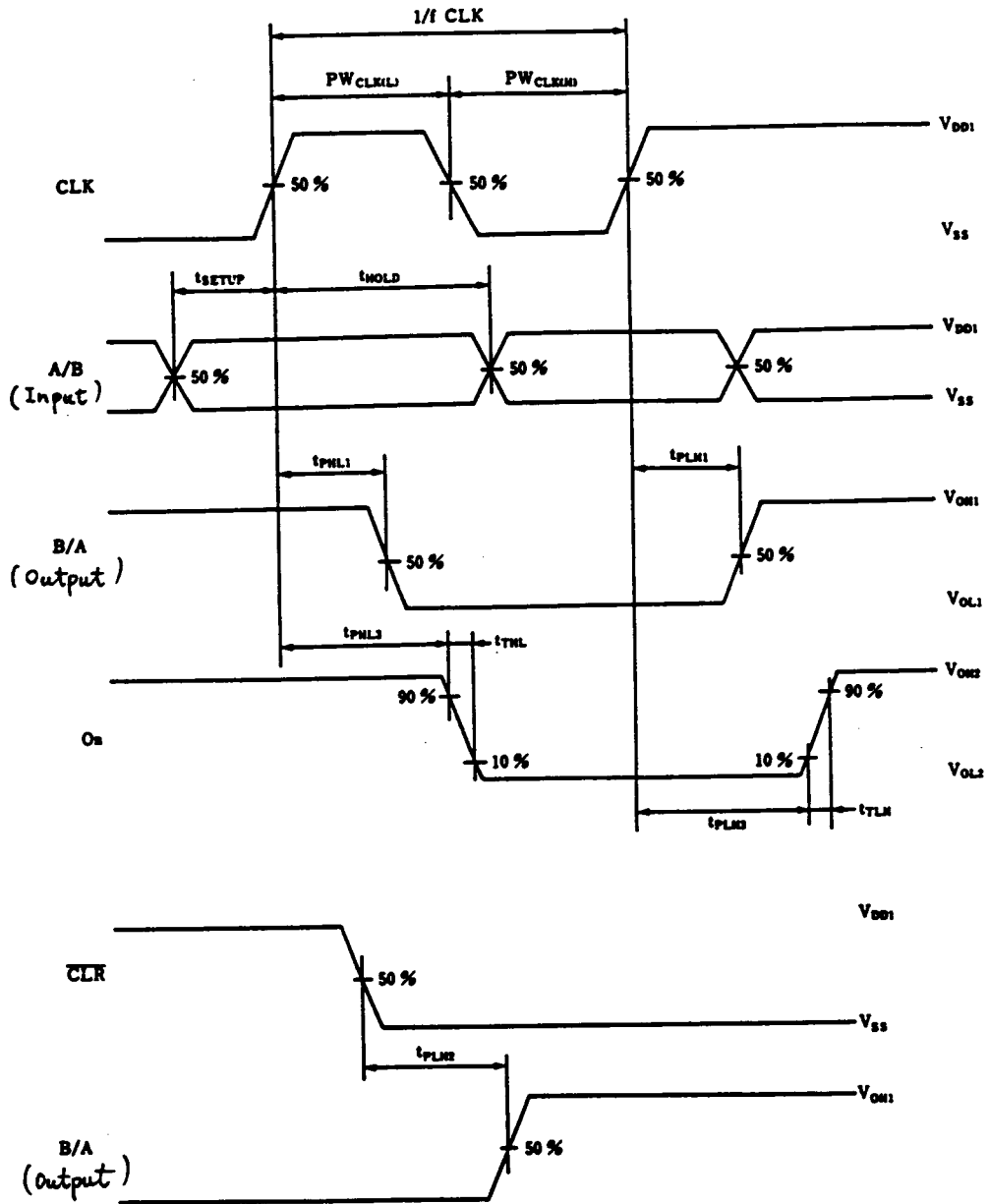
Switching Characteristics
 (Ta = 25°C, VDD1 = 4.5 ~ 5.5V, VDD2 = 180V
 Logic:CI = 15pF, Driver:CL = 50pF)

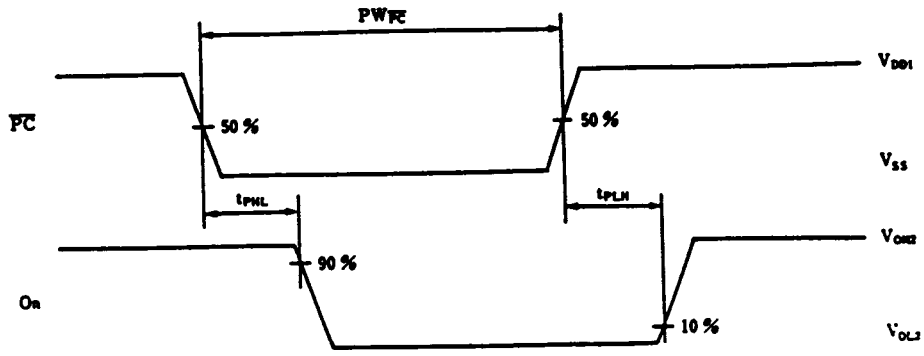
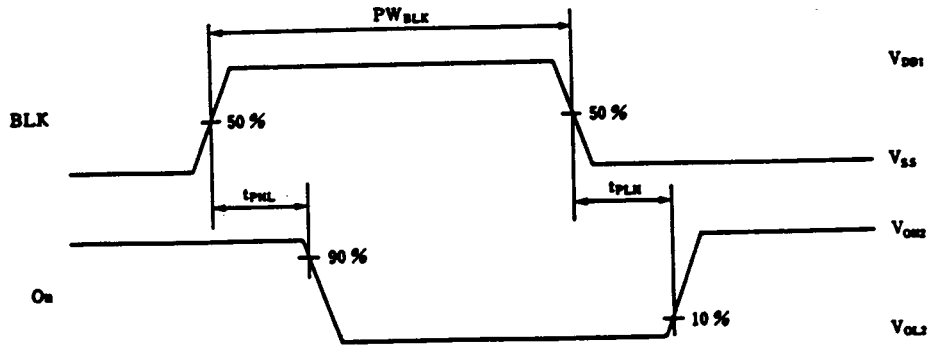
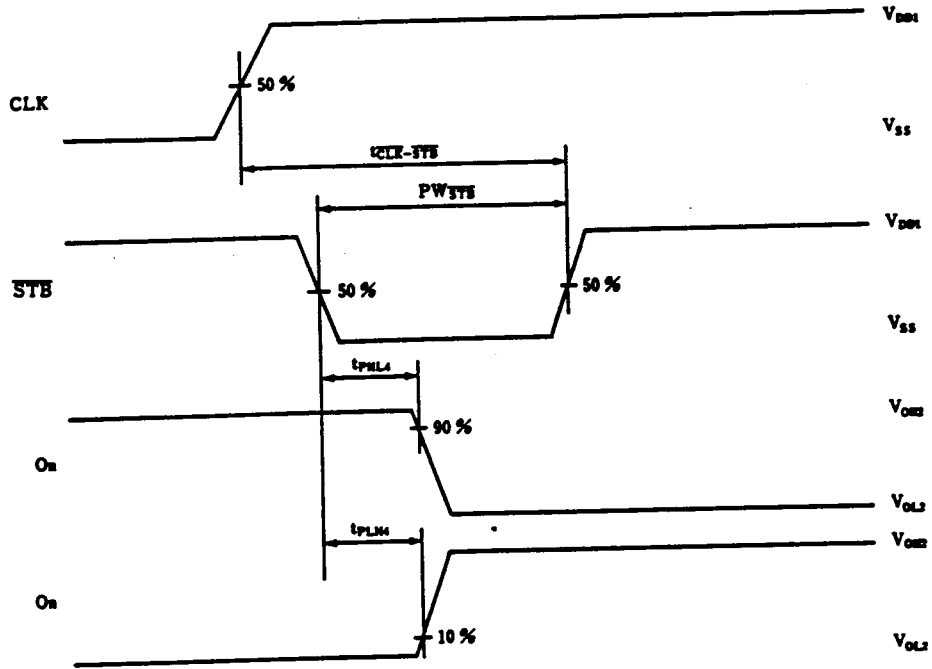
ITEM	SYMBOL	CONDITION	MIN.	TYP.	MAX.	UNIT
Delay time	t PHL1	CLK→A/B			60	ns
	t PLH1				60	ns
	t PHL2	$\overline{\text{CLR}} \rightarrow \text{A/B}$			60	ns
	t PHL3	CLK→O1~O40			150	ns
	t PLH3				150	ns
	t PHL4	$\overline{\text{STB}} \rightarrow \text{O1} \sim \text{O40}$			125	ns
	t PLH4				125	ns
	t PHL5	BLK→O1~O40			100	ns
	t PLH5				100	ns
	t PHL6	$\overline{\text{PC}} \rightarrow \text{O1} \sim \text{O40}$			75	ns
t PLH6				75	ns	
Output transient Time	t THL	O1-40			60	ns
	t TLH				60	ns
Maximum Clock Frequency	f MAX	Duty=50%	15			MHz
Input Capacitance	CI				10	pF

Timing Requirement Conditions
 (Ta = -40 ~ +85°C, VDD1 = 4.5 ~ 5.5V)

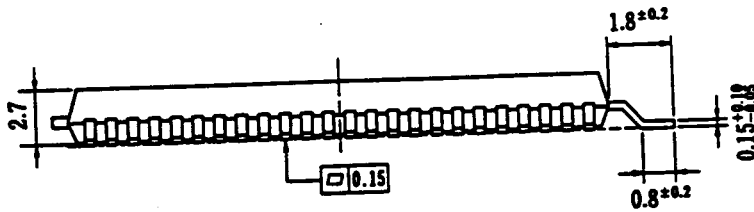
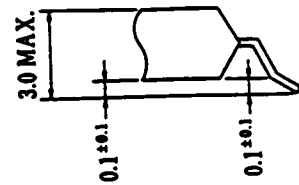
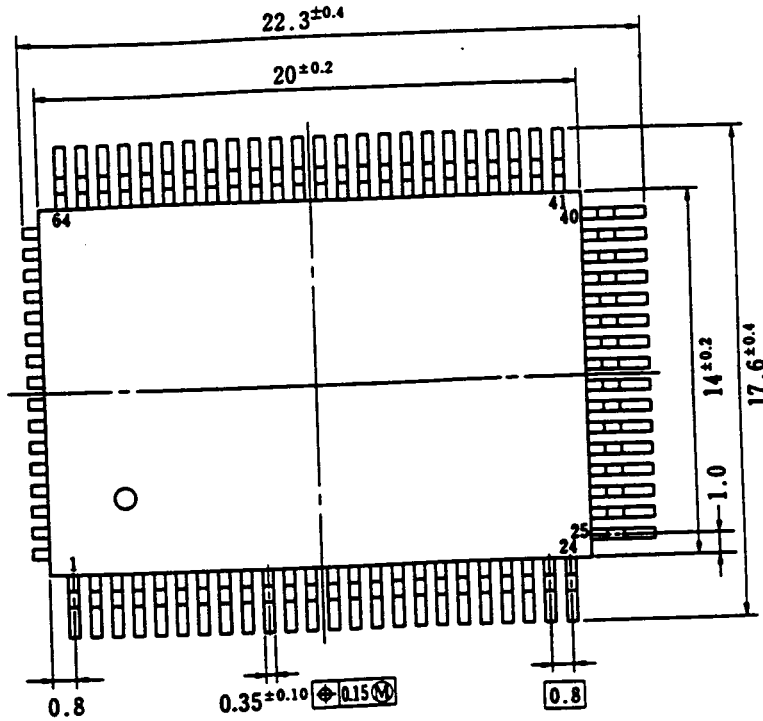
ITEM	SYMBOL	CONDITION	MIN.	TYP.	MAX.	UNIT
Clock Pulse Width	PWCLK		30			ns
Strobe Pulse Width	PW $\overline{\text{STB}}$		60			ns
Blank Pulse Width	PWBLK		200			ns
Polarity Change Pulse Width	PW $\overline{\text{PC}}$		150			ns
Clear Pulse Width	PW $\overline{\text{CLR}}$		120			ns
Data Setup Time	t SETUP		20			ns
Data Hold Time	t HOLD		5			ns
Setup Time (CLK → STB)	t CLK- $\overline{\text{STB}}$	CLK↑→ $\overline{\text{STB}}$ ↑	60			ns

Switching Characteristics Waveform





Package Dimensions 80 Pin Plastic QFP (14x20) (3 direction leads)
Unit (mm)



P80GF-80-3L9