

## SI-3000N Series

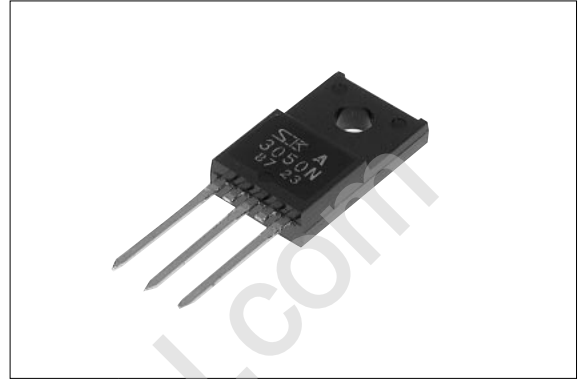
# 3-Terminal, Full-Mold, Low Dropout Voltage Dropper Type

### ■Features

- Compact full-mold package (equivalent to TO220)
- Output current: 1.0A
- Low dropout voltage:  $V_{DIF} \leq 1V$  (at  $I_o = 1.0A$ )
- Built-in foldback overcurrent, overvoltage, thermal protection circuits

### ■Applications

- For stabilization of the secondary stage of switching power supplies
- Electronic equipment



### ■Absolute Maximum Ratings

( $T_a = 25^\circ C$ )

Parameter	Symbol	Ratings			Unit
		SI-3050N	SI-3090N/3120N	SI-3150N	
DC Input Voltage	$V_{IN}$	25	30	35	V
DC Output Current	$I_o$	1.0 <sup>2</sup>			A
Power Dissipation	$P_{D1}$	14(With infinite heatsink)			W
	$P_{D2}$	1.5(Without heatsink, stand-alone operation)			W
Junction Temperature	$T_j$	-40 to +125			$^\circ C$
Ambient Operating Temperature	$T_{op}$	-30 to +100			$^\circ C$
Storage Temperature	$T_{stg}$	-40 to +125			$^\circ C$
Thermal Resistance (junction to case)	$R_{th(j-c)}$	7.0			$^\circ C/W$
Thermal Resistance (junction to ambient air)	$R_{th(j-a)}$	66.7(Without heatsink, stand-alone operation)			$^\circ C/W$

■Electrical Characteristics

(T<sub>a</sub>=25°C unless otherwise specified)

Parameter	Symbol	Ratings												Unit						
		SI-3050N			SI-3090N			SI-3120N			SI-3150N									
		min.	typ.	max.	min.	typ.	max.	min.	typ.	max.	min.	typ.	max.							
Input Voltage	V <sub>IN</sub>	6 <sup>3</sup>		15 <sup>2</sup>	10 <sup>3</sup>		20 <sup>2</sup>	13 <sup>3</sup>		25 <sup>2</sup>	16 <sup>3</sup>		27 <sup>2</sup>	V						
Output Voltage	SI-3000N <sup>*1</sup>	V <sub>O</sub>			4.80	5.00	5.20	8.64	9.00	9.36	11.52	12.00	12.48	14.40	15.00	15.60	V			
	SI-3000NA	V <sub>O</sub>			4.90	5.00	5.10	8.82	9.00	9.18	11.76	12.00	12.24	14.70	15.00	15.30	V			
Dropout Voltage	V <sub>DIF</sub>				0.5						0.5			V						
	Conditions	V <sub>IN</sub> =8V, I <sub>O</sub> =0.5A			V <sub>IN</sub> =12V, I <sub>O</sub> =0.5A			V <sub>IN</sub> =15V, I <sub>O</sub> =0.5A			V <sub>IN</sub> =18V, I <sub>O</sub> =0.5A			V						
	Conditions	I <sub>O</sub> ≤0.5A												V						
Line Regulation	ΔV <sub>OLINE</sub>				10 30						24 64						mV			
	Conditions	V <sub>IN</sub> =6 to 15V, I <sub>O</sub> =0.5A			V <sub>IN</sub> =10 to 20V, I <sub>O</sub> =0.5A			V <sub>IN</sub> =13 to 25V, I <sub>O</sub> =0.5A			V <sub>IN</sub> =16 to 27V, I <sub>O</sub> =0.5A						mV			
	Conditions	I <sub>O</sub> ≤1.0A												mV						
Load Regulation	ΔV <sub>OLOAD</sub>				40 100						93 240						mV			
	Conditions	V <sub>IN</sub> =8V, I <sub>O</sub> =0 to 1.0A			V <sub>IN</sub> =12V, I <sub>O</sub> =0 to 1.0A			V <sub>IN</sub> =15V, I <sub>O</sub> =0 to 1.0A			V <sub>IN</sub> =18V, I <sub>O</sub> =0 to 1.0A						mV			
Temperature Coefficient of Output Voltage	ΔV <sub>O</sub> /ΔT <sub>a</sub>				±0.5						±1.5						mV/°C			
	Conditions	V <sub>IN</sub> =8V, I <sub>O</sub> =5mA, T <sub>J</sub> =0 to 100°C			V <sub>IN</sub> =12V, I <sub>O</sub> =5mA, T <sub>J</sub> =0 to 100°C			V <sub>IN</sub> =15V, I <sub>O</sub> =5mA, T <sub>J</sub> =0 to 100°C			V <sub>IN</sub> =18V, I <sub>O</sub> =5mA, T <sub>J</sub> =0 to 100°C						mV/°C			
Ripple Rejection	R <sub>REJ</sub>				54						54						dB			
	Conditions	V <sub>IN</sub> =8V, f=100 to 120Hz			V <sub>IN</sub> =12V, f=100 to 120Hz			V <sub>IN</sub> =15V, f=100 to 120Hz			V <sub>IN</sub> =18V, f=100 to 120Hz						dB			
Quiescent Circuit Current	I <sub>q</sub>				3 10						3 10						mA			
	Conditions	V <sub>IN</sub> =8V, I <sub>O</sub> =0A			V <sub>IN</sub> =12V, I <sub>O</sub> =0A			V <sub>IN</sub> =15V, I <sub>O</sub> =0A			V <sub>IN</sub> =18V, I <sub>O</sub> =0A						mA			
Overcurrent Protection Starting Current <sup>*4,5</sup>	I <sub>S1</sub>	1.2						1.2						1.2						A
	Conditions	V <sub>IN</sub> =8V			V <sub>IN</sub> =12V			V <sub>IN</sub> =15V			V <sub>IN</sub> =18V						A			

\*1: "A" may be indicated to the right of the Sanken logo.

\*2: V<sub>IN(max)</sub> and I<sub>O(max)</sub> are restricted by the relation P<sub>D(max)</sub>=(V<sub>IN</sub>-V<sub>O</sub>)•I<sub>O</sub>=14(W).

\*3: Refer to the dropout voltage.(Refer to Setting DC Input Voltage on page 7.)

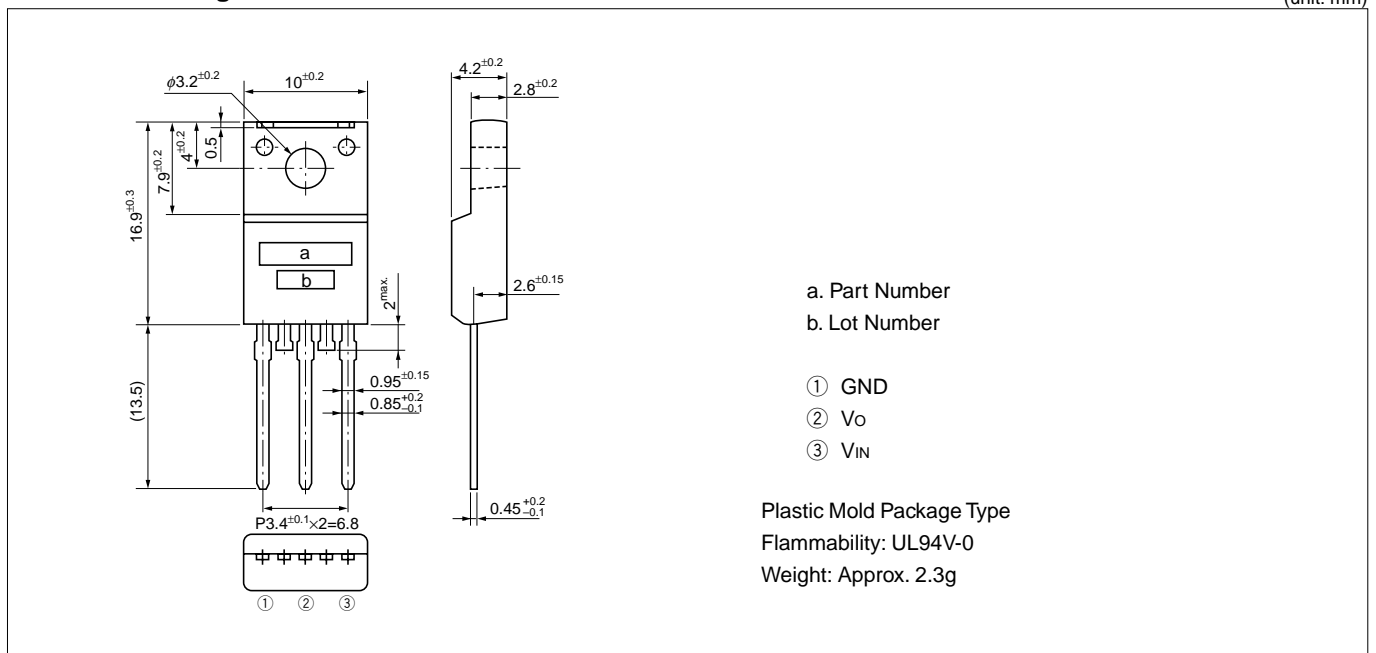
\*4: I<sub>S1</sub> is specified at -5(%) drop point of output voltage V<sub>O</sub> on the condition that V<sub>IN</sub>=V<sub>O</sub>+3V, I<sub>O</sub>=0.5A.

\*5: A foldback type overcurrent protection circuit is built into the IC regulator. Therefore, avoid using it for the following applications as it may cause starting errors:

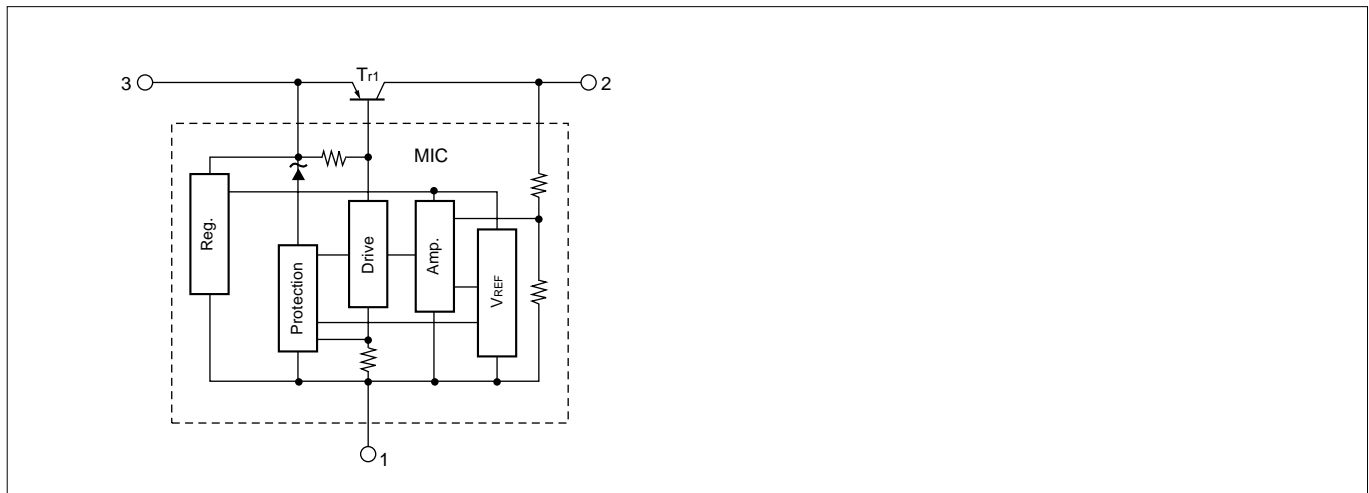
- (1) Constant current load (2) Plus/minus power (3) Series power (4) V<sub>O</sub> adjustment by raising ground voltage

■Outline Drawing

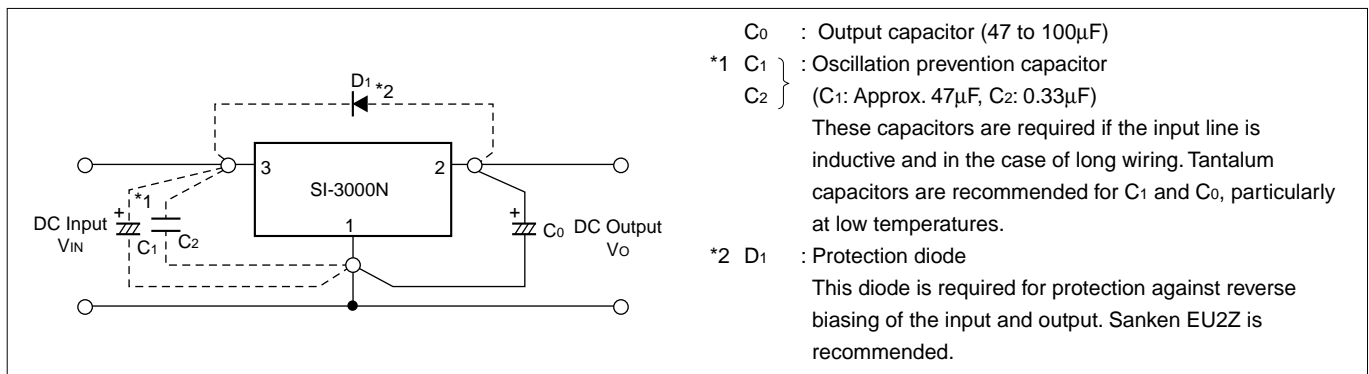
(unit: mm)



■Block Diagram



■Standard External Circuit



■ $T_a$ - $P_D$  Characteristics

