

SANYO

No.2900

Microphone Amplifier for Video Cameras

Overview

Discrete devices or an operational amplifier + discrete devices have been so far used to make up a microphone amplifier block. However, we succeeded in developing the LA7293M—a streamlined microphone amplifier block IC—that has the following functions and features.

Functions

- Microphone amplifier
- Power supply pin for microphone (with ripple filter)
- External power supply pin (with current limiter)

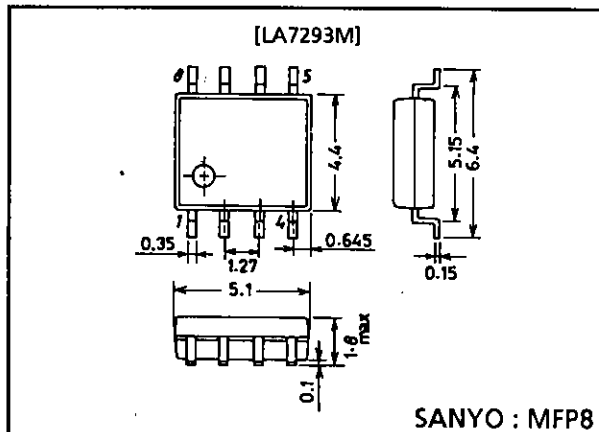
Features

- Power supply for capacitor microphone.
- External 5V supply.
- Microphone amplifier gain, frequency response variable.

Package Dimensions

unit: mm

3032B-MFP8



Specifications

Maximum Ratings at $T_a = 25^\circ\text{C}$

Parameter	Symbol	Conditions	Ratings	Unit
Maximum supply voltage	$V_{CC\text{ max}}$		9.0	V
Allowable power dissipation	$P_{d\text{ max}}$	$T_a = 65^\circ\text{C}$	180	mW
Operating temperature	T_{op}		-10 to +65	$^\circ\text{C}$
Storage temperature	T_{stg}		-55 to +125	$^\circ\text{C}$

Operating Conditions at $T_a = 25^\circ\text{C}$

Parameter	Symbol	Conditions	Ratings	Unit
Recommended supply voltage	V_{CC}		5.0	V
Operating voltage range	$V_{CC\text{ op}}$		4.0 to 5.5	V

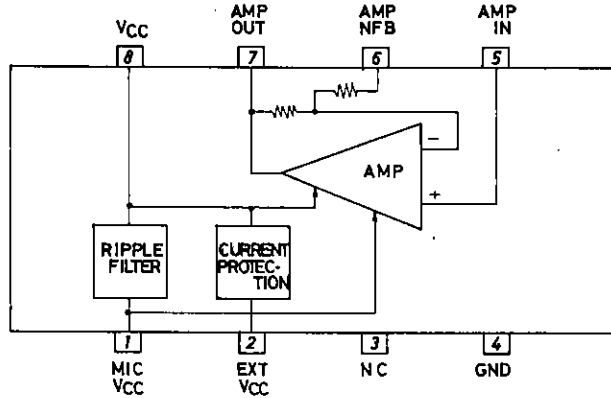
Operating Characteristics at $T_a = 25^\circ\text{C}$, $V_{CC} = 5\text{V}$, $f = 1.0\text{kHz}$, $0\text{dBv} = 1.0\text{V}_{\text{rms}}$

Parameter	Symbol	Conditions	min	typ	max	Unit
Voltage gain	VG	$V_O = -10\text{dBv}$	30	31	32	dB
Total harmonic distortion	THD	$V_O = -10\text{dBv}$		0.1	0.2	%
Maximum output	V_{OM}	THD = 1.0%	-3.2	-1.2		dBv
Output noise voltage	V_{NO}	$R_g = 2.2\text{k}\Omega$, DIN audio filter		-82	-76	dBv
Microphone supply output voltage	V_1	Pin 1 voltage	2.5	2.8	3.0	V
External supply output voltage	V_2	Pin 2 voltage for pin 2 output current (25mA)	4.0	4.5		V
External power supply protection	I_2	Pin 2 output current when pin 2 is grounded			30	mA
Current drain	I_{CC}	Pin 1,2 open		3.0	4.0	mA

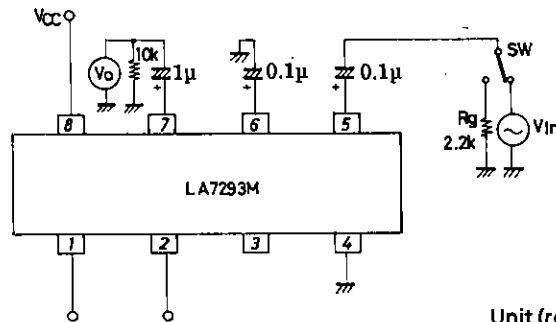
SANYO Electric Co., Ltd. Semiconductor Business Headquarters
TOKYO OFFICE Tokyo Bldg. 1-10, 1 Chome, Ueno, Taito-ku, TOKYO, 110 JAPAN

LA7293M

Block Diagram

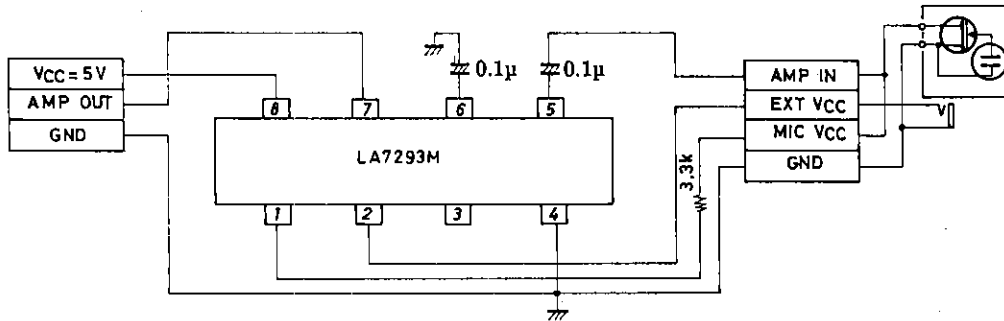


Test Circuit



Unit (resistance : Ω , capacitance : F)

Sample Application Circuit



Unit (resistance : Ω , capacitance : F)

- No products described or contained herein are intended for use in surgical implants, life-support systems, aerospace equipment, nuclear power control systems, vehicles, disaster/crime-prevention equipment and the like, the failure of which may directly or indirectly cause injury, death or property loss.
- Anyone purchasing any products described or contained herein for an above-mentioned use shall:
 - ① Accept full responsibility and indemnify and defend SANYO ELECTRIC CO., LTD., its affiliates, subsidiaries and distributors and all their officers and employees, jointly and severally, against any and all claims and litigation and all damages, cost and expenses associated with such use;
 - ② Not impose any responsibility for any fault or negligence which may be cited in any such claim or litigation on SANYO ELECTRIC CO., LTD., its affiliates, subsidiaries and distributors or any of their officers and employees jointly or severally.
- Information (including circuit diagrams and circuit parameters) herein is for example only; it is not guaranteed for volume production. SANYO believes information herein is accurate and reliable, but no guarantees are made or implied regarding its use or any infringements of intellectual property rights or other rights of third parties.

This catalog provides information as of **December, 1995**. Specifications and information herein are subject to change without notice.