

# ABR1500 - ABR1510

**PRV : 50 - 1000 Volts**  
**Io : 15 Amperes**

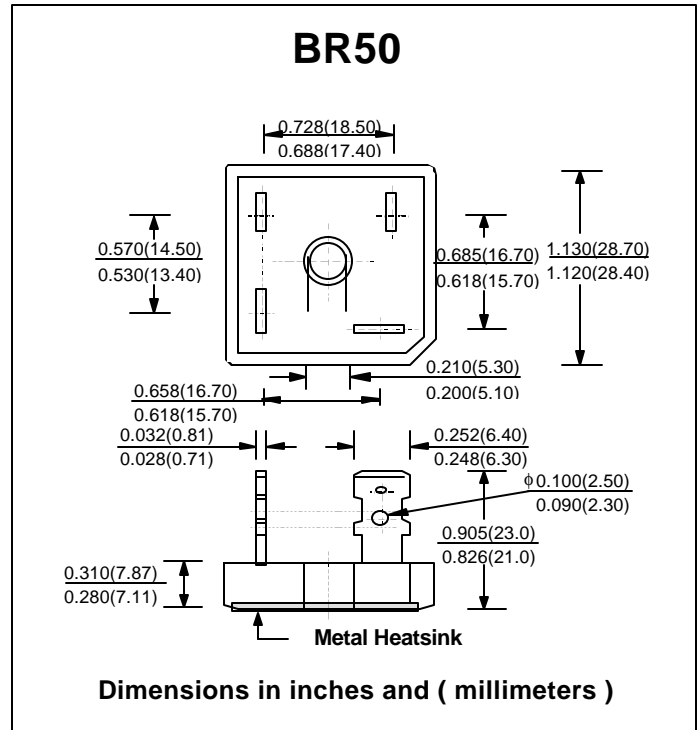
## FEATURES :

- \* High case dielectric strength
- \* High surge current capability
- \* High reliability
- \* Low reverse current
- \* Low forward voltage drop
- \* Ideal for printed circuit board

## MECHANICAL DATA :

- \* Case : Molded plastic with heatsink integrally mounted in the bridge encapsulation
- \* Epoxy : UL94V-O rate flame retardant
- \* Terminals : plated .25" (6.35 mm). Faston
- \* Polarity : Polarity symbols marked on case
- \* Mounting position : Bolt down on heat-sink with silicone thermal compound between bridge and mounting surface for maximum heat transfer efficiency.
- \* Weight : 17.1 grams

# AVALANCHE BRIDGE RECTIFIERS



## MAXIMUM RATINGS AND ELECTRICAL CHARACTERISTICS

Rating at 25 °C ambient temperature unless otherwise specified.  
 Single phase, half wave, 60 Hz, resistive or inductive load.  
 For capacitive load, derate current by 20%.

RATING	SYMBOL	ABR 1500	ABR 1501	ABR 1502	ABR 1504	ABR 1506	ABR 1508	ABR 1510	UNITS
Maximum Recurrent Peak Reverse Voltage	V <sub>RRM</sub>	50	100	200	400	600	800	1000	Volts
Maximum RMS Voltage	V <sub>RMS</sub>	35	70	140	280	420	560	700	Volts
Maximum DC Blocking Voltage	V <sub>DC</sub>	50	100	200	400	600	800	1000	Volts
Minimum Avalanche Breakdown Voltage at 100 μA	V <sub>BO(min.)</sub>	100	150	250	450	700	900	1100	Volts
Maximum Avalanche Breakdown Voltage at 100 μA	V <sub>BO(max.)</sub>	550	600	700	900	1150	1350	1550	Volts
Maximum Average Forward Current T <sub>c</sub> = 50 °C	I <sub>F(AV)</sub>	15							Amps.
Peak Forward Surge Current Single half sine wave Superimposed on rated load (JEDEC Method)	I <sub>FSM</sub>	300							Amps.
Rating for fusing at ( t < 8.3 ms. )	I <sup>2</sup> t	375							A <sup>2</sup> S
Maximum Forward Voltage per Diode at I <sub>F</sub> = 7.5 Amps.	V <sub>F</sub>	1.1							Volts
Maximum DC Reverse Current Ta = 25 °C at Rated DC Blocking Voltage Ta = 100 °C	I <sub>R</sub>	10							μA
	I <sub>R(H)</sub>	200							μA
Typical Thermal Resistance ( Note 1 )	R <sub>θJC</sub>	1.9							°C/W
Operating Junction Temperature Range	T <sub>J</sub>	- 50 to + 150							°C
Storage Temperature Range	T <sub>STG</sub>	- 50 to + 150							°C

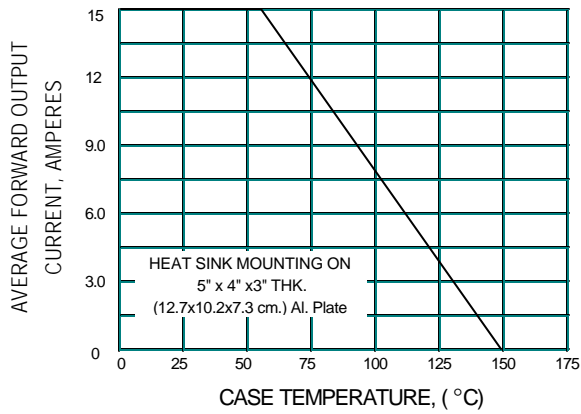
## Notes :

1 ) Thermal resistance from Junction to case with units mounted on a 5" x 4" x 3" (12.7cm.x 10.2cm.x 7.3cm.) Al.-Finned Plate.

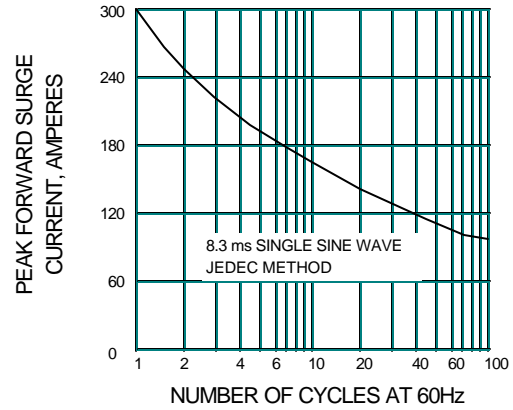
**UPDATE : APRIL 21, 1998**

## RATING AND CHARACTERISTIC CURVES ( ABR1500 - ABR1510 )

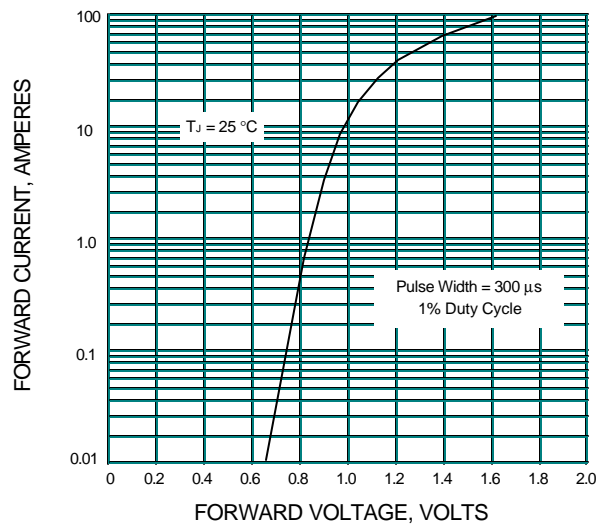
**FIG.1 - DERATING CURVE FOR OUTPUT RECTIFIED CURRENT**



**FIG.2 - MAXIMUM NON-REPETITIVE PEAK FORWARD SURGE CURRENT**



**FIG.3 - TYPICAL FORWARD CHARACTERISTICS PER DIODE**



**FIG.4 - TYPICAL REVERSE CHARACTERISTICS**

