



SPX2955/56/57

350mA Low Drop Out Voltage Regulator with Shutdown (PRELIMINARY INFORMATION)

FEATURES

- Output Accuracy 5V, 3.3V@ 350mA Output
- Very Low Quiescent Current
- Low Dropout Voltage
- Extremely Tight Load And Line Regulation
- Very Low Temperature Coefficient
- Current & Thermal Limiting
- Error Flag Warns Of Output Dropout
- Logic-Controlled Electronic Shutdown
- Output Programmable From 1.24V to 29V

APPLICATIONS

- Battery Powered Systems
- Cordless Telephones
- Radio Control Systems
- Portable/Palm Top/Notebook Computers
- Portable Consumer Equipment
- Portable Instrumentation
- Automotive Electronics
- SMPS Post-Regulator
- Voltage Reference

PRODUCT DESCRIPTION

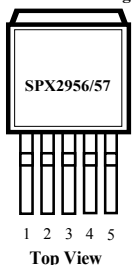
The SPX2955/56/57 is a low power voltage regulator. This device is an excellent choice for use in battery-powered applications such as cordless telephones, radio control systems, and portable computers. The SPX2955/56/57 features very low quiescent current (100µA Typ.) and very low dropout voltage. This includes a tight initial tolerance of 1% max and 2% max., and very low output temperature coefficient, making the SPX2955/56/57 useful as a low-power voltage reference.

The error flag output feature is used as power-on reset for warning of a low output voltage, due to a falling voltage input of batteries. Another feature is the logic-compatible shutdown input which enables the regulator to be switched on and off. The SPX2955/56/57 is offered in 3-pin and 5-pin TO-220 package compatible with other 5 volt and adjustable regulators, in 8-Pin Plastic Dip SO-8 (same pin out as SPX2951) and surface mount TO-263 packages.

The regulator output voltage (of the 8-pin package and 5-pin TO-220 & TO-263) may be pin-strapped for a 5V and 3.3V or programmed from 1.24V to 29V with an external pair of resistors. Look for SPX2951 for 150mA and SPX2954 for 250mA applications.

PIN CONNECTIONS

TO-263-5 Package



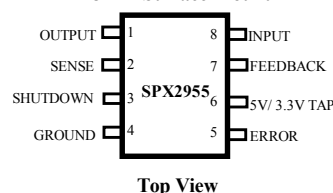
Five Lead Package Pin Functions:

SPX2956	SPX2957
1) ERROR	ADJUST
2) INPUT	SHUTDOWN
3) GND	GND
4) OUTPUT	INPUT
5) SHUTDOWN	OUTPUT

TO-220-5 Package

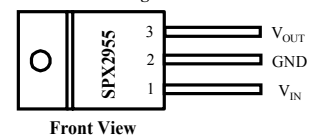


8-Pin Surface Mount



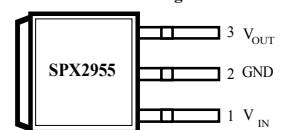
Top View

TO-220-3 Package



Front View

TO-263-3 Package



Front View

ABSOLUTE MAXIMUM RATINGS

Power Dissipation.....Internally Limited
Lead Temp. (Soldering, 5 Seconds) 260°C
Storage Temperature Range -65° to +150°C
Operating Junction Temperature Range (Note 9)
SPX2955/56/57..... -40°C to +125°C

Operating Input Supply Voltage..... 3.0V to +60V
Feedback Input Voltage -1.5V to +30V
Shutdown Input Voltage..... -0.3V to +30V
Error Comparator Output..... -0.3V to +30V
ESD Rating 2KV Min

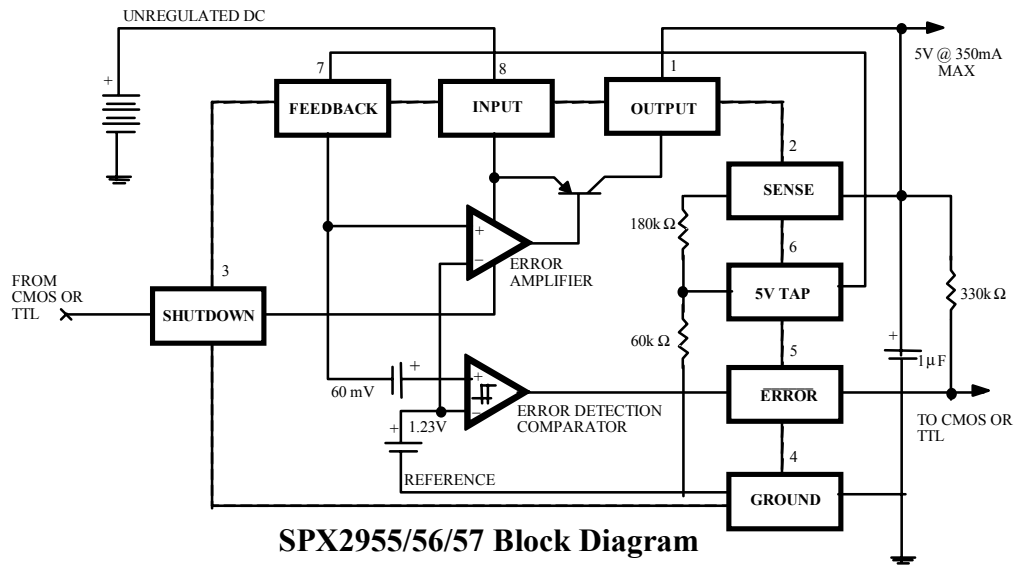
ELECTRICAL CHARACTERISTICS at $V_S = \pm 15V, T_A = 25^\circ C$, unless otherwise specified. **Boldface** applies over the full operating temperature range.

PARAMETER	CONDITIONS (Note 2)	Typ.	SPX2955/56/57A		SPX2955/56		UNITS
			Min	Max	Min	Max	
3.3V Version							
Output Voltage	-40°C ≤ T _J ≤ +125°C 1mA ≤ I _L ≤ 350mA	3.3	3.267	3.333	3.234	3.366	V
			3.3	3.217	3.382	3.185	3.415
5V Version							
Output Voltage	-40°C ≤ T _J ≤ +125°C 1mA ≤ I _L ≤ 350mA	5.0	4.950	5.050	4.900	5.100	V
			5.0	4.880	5.120	4.870	5.130
All Voltage Options			SPX2955/56/57A		SPX2955/56/57		
Output Voltage Temperature Coefficient	(Note 1)	20		100		150	ppm/°C
Line Regulation (Note 3)	6V ≤ V _{IN} ≤ 30V (Note 4)	0.03		0.1 0.40		0.20 0.80	%max
Load Regulation (Note 3)	I _L = 1 to 350mA I _L = 0.1 to 1mA	0.04		0.20 0.30		0.30 0.50	%max
Dropout Voltage (Note 5)	I _L = 1mA	60		100 150		100 150	mV
	I _L = 100mA	220		250 300		250 300	
	I _L = 250mA	250		300 420		350 420	
	I _L = 350mA	375		400 500		500 600	
					500		600
Ground Current	I _L = 1mA	50		100 150		100 150	μA
	I _L = 100mA	0.5		1 2		1 2	mA
	I _L = 250mA	4		8 10		8 10	
	I _L = 350mA	5		10 15		10 15	
					15		15
Current Limit	V _{OUT} = 0			700 800		700 800	mA
Thermal Regulation		0.05		0.2		0.2	%/w
Output Noise, 10Hz to 100kHz I _L = 100mA	C _L = 2.2μF	400					μV
	C _L = 33μF	260					V _{rms}

(Continued)

PARAMETER	CONDITIONS (Note 2)	Typ.	SPX2955/57A		SPX2955/57		UNITS
			Min	Max	Min	Max	
Adjustable Versions only							
Reference Voltage		1.235	1.210 1.200	1.260 1.270	1.200 1.990	1.270 1.280	V
Reference Voltage	Over Temperature (Note 6)		1.185	1.285	1.185	1.285	V
Feedback Pin Bias Current		20		40 60		60 80	NA
Reference Voltage Temperature Coefficient	(Note 7)	50					ppm/°C
Feedback Pin Bias Current Temperature Coefficient		0.1					nA/°C
Error Comparator							
Output Leakage Current	V _{OH} = 30V	0.01		1.00 2.00		1.00 2.00	μA
Output Low Voltage	V _{IN} = 4.5V I _{OL} = 400μA	150		250 400		250 400	mV
Upper Threshold Voltage	(Note 8)	60	40 25		40 25		mV
Lower Threshold Voltage	(Note 8)	75		95 140		95 140	mV
Hysteresis	(Note 8)	15					mV
Shutdown Input							
Input logic Voltage	Low (Regulator ON) High (Regulator OFF)	1.3	2.0	0.7	2.0	0.7	V
Shut down Pin Input Current	V _S = 2.4V V _S = 30V	30 450		50 100 600 750		90 150 800 1000	μA
Regulator Output Current in Shutdown		3	10 20			15 25	μA

- Note 1:** Output or reference voltage temperature coefficients defined as the worst case voltage change divided by the total temperature range.
- Note 2:** Unless otherwise specified all limits are guaranteed for T_J = 25°C, V_{IN} = 6V, I_L = 100μA and C_L = 1μF. Additional conditions for the 8-pin versions are feedback tied to 5V tap and output tied to output sense (V_{OUT} = 5V) and V_{SHUTDOWN} ≤ 0.8V.
- Note 3:** Regulation is measured at constant junction temperature, using pulse testing with a low duty cycle. Changes in output voltage due to heating effects are covered under the specification for thermal regulation.
- Note 4:** Line regulation for the SPX2955/56/57 is tested at 150°C for I_L = 1 mA. For I_L = 100μA and T_J = 125°C, line regulation is guaranteed by design to 0.2%. See typical performance characteristics for line regulation versus temperature and load current.
- Note 5:** Dropout voltage is defined as the input to output differential at which the output voltage drops 100 mV below its nominal value measured at 1V differential at very low values of programmed output voltage, the minimum input supply voltage of 2V (2.3V over temperature) must be taken into account.
- Note 6:** V_{REF} ≤ V_{OUT} ≤ (V_{in} - 1V), 2.3 ≤ V_{in} ≤ 30V, 100μA ≤ I_L ≤ 250 mA, T_J ≤ T_{JMAX}.
- Note 7:** Comparator thresholds are expressed in terms of a voltage differential at the feedback terminal below the nominal reference voltage measured at 6V input. To express these thresholds in terms of output voltage change, multiply by the error amplifier gain = V_{OUT}/V_{REF} = (R1 + R2)/R2. For example, at a programmed output voltage of 5V, the Error output is guaranteed to go low when the output drops by 95 mV x 5V/1.235 = 384 mV. Thresholds remain constant as a percent of V_{OUT} as V_{OUT} is varied, with the dropout warning occurring at typically 5% below nominal, 7.5% guaranteed.
- Note 8:** V_{SHUTDOWN} ≥ 2V, V_{IN} ≤ 30V, V_{OUT} = 0, Feedback pin tied to 5V Tap.
- Note 9:** The junction -to-ambient thermal resistance of the TO-92 package is 180°C/W with 0.4" leads and 160°C/W with 0.25" leads to a PC board. The thermal resistance of the 8-Pin DIP package is 105°C/W junction-to-ambient when soldered directly to a PC board. Junction-to-ambient thermal resistance for the SOIC (S) package is 160°C/W.



APPLICATION HINTS

EXTERNAL CAPACITORS

The stability of the SPX2955/56/57 requires a 2.2 μ F or greater capacitor between output and ground. Oscillation could occur without this capacitor. Most types of tantalum or aluminum electrolytic works fine here. For operations of below -25°C solid tantalum is recommended since the many aluminum types have electrolytes that freeze at about -30°C. The ESR of about 5 Ω or less and resonant frequency above 500kHz are the most important parameters in the value of the capacitor. The capacitor value can be increased without limit.

At lower values of output current, less output capacitance is required for stability. For the currents below 10mA the value of the capacitor can be reduced to 0.5 μ F and 0.15 μ F for 1mA. More output capacitance needed for the 8-pin version at voltages below 5V since it runs the error amplifier at lower gain. At worst case 5 μ F or greater must be used for the condition of 250mA load at 1.23V output.

The SPX2955/56/57, unlike other low dropout regulators will remain stable and in regulation with no load in addition to the internal voltage divider. This feature is especially important in application like CMOS RAM keep-alive. When setting the output voltage of the SPX2955/56/57, a minimum load of 10mA is recommended.

If there is more than 10 inches of wire between the input and the AC filter capacitor or if a battery is used as the input then a 0.1 μ F tantalum or aluminum electrolytic capacitor should be placed from the input to the ground.

Instability can occur if there is stray capacitance to the SPX2955/56/57 feedback terminal (pin 7). This could cause more problems when using a higher value of external resistors to set the output voltage.

This problem can be fixed by adding a 100pF capacitor between output and feedback and increasing the output capacitor to at least 3.3 μ F.

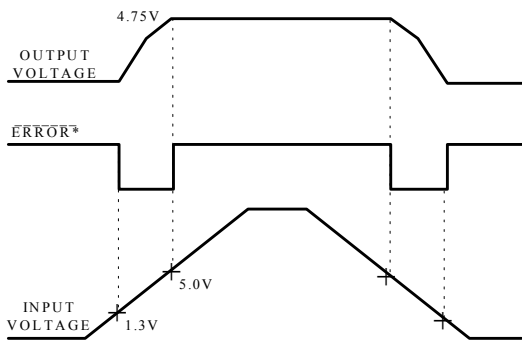
ERROR DETECTION COMPARATOR OUTPUT

The Comparator produces a logic low output whenever the SPX2955/56/57 output falls out of regulation by more than around 5%. This is around 60mV offset divided by the 1.235 reference voltage. This trip level remains 5% below normal regardless of the programmed output voltage of the regulator. Figure 1 shows the timing diagram depicting the ERROR signal and the regulator output voltage as the SPX2955/56/57 input is ramped up and down. The ERROR signal becomes low at around 1.3V input, and goes high around 5V input (input voltage at which $V_{out} = 4.75$). Since the SPX2955/56/57's dropout voltage is load dependent, the input voltage trip point (around 5V) will vary with the load current. The output voltage trip point (approx. 4.75V) does not vary with load.

The error comparator has an open-collector output, which requires an external pull-up resistor. Depending on the system requirements the resistor may be returned to 5V output or other supply voltage. In determining the value of this resistor, note that the output is rated to sink 400 μ A, this value adds to battery drain in a low battery condition. Suggested values range from 100K to 1M Ω . If the output is unused this resistor is not required.

PROGRAMMING THE OUTPUT VOLTAGE OF SPX2955/56/57

The SPX2956/57 may be pin-strapped for 5V using its internal voltage divider by tying Pin 1 (output) to Pin 2 (sense) and Pin 7 (feedback) to Pin 6 (5V Tap).



* See Application Info.

Figure 1. ERROR Output Timing

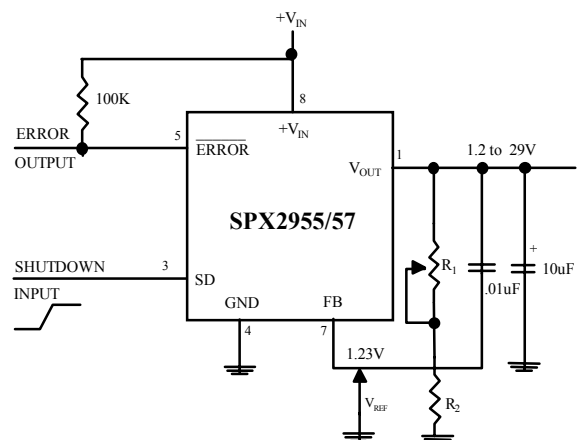


Figure 2. Adjustable Regulator

Also, it may be programmed for any output voltage between its 1.235V reference and its 30V maximum rating. As seen in Figure 2, an external pair of resistors is required.

Refer to the below equation for the programming of the output voltage::

$$V_{OUT} = V_{REF} \times (1 + R_1 \setminus R_2) + I_{FB}R_1$$

The V_{REF} is 1.235 and I_{FB} is the feedback bias current, nominally -20nA. The minimum recommended load current of 1 μ A forces an upper limit of 1.2 M Ω on value of R_2 . If no load is presented the I_{FB} produces an error of typically 2% in V_{OUT} , which may be eliminated at room temperature by trimming R_1 . To improve the accuracy choose the value of $R_2 = 100k$ this reduces the error by 0.17% and increases the resistor program current by 12 μ A. Since the SPX2955/56/57 typically draws 60 μ A at no load with Pin 2 open-circuited this is a small price to pay

REDUCING OUTPUT NOISE

It may be an advantage to reduce the AC noise present at the output. One way is to reduce the regulator bandwidth by increasing the size of the output capacitor. This is the only way that noise can be reduced on the 3 lead SPX2955/56/57 but is relatively inefficient, as increasing the capacitor from 1 μ F to 220 μ F only decreases the noise from 430 μ V to 160 μ V Vrms for a 100kHz bandwidth at 5V output. Noise could also be reduced fourfold by a bypass capacitor across R_1 , since it reduces the high frequency gain from 4 to unity. Pick

$$C_{BYPASS} \cong 1 / 2\pi R_1 \times 200 \text{ Hz}$$

or choose 0.01 μ F. When doing this, the output capacitor must be increased to 3.3 μ F to maintain stability. These changes reduce the output noise from 430 μ V to 100 μ V Vrms for a 100kHz bandwidth at 5V output. With the bypass capacitor added, noise no longer scales with output voltage so that improvements are more dramatic at higher output voltages.

HEAT SINK REQUIREMENTS

Depending on the maximum ambient temperature and maximum power dissipation a heat sink may be required with the SPX2955/56/57. The junction temperature range has to be within the range specified under Absolute Maximum Ratings under all possible operating conditions. To find out if a heat sink is required, the maximum power dissipation of the device needs to be calculated. This is the maximum specific AC voltage that must be taken into consideration at input. Figure 3 shows the condition and power dissipation which should be calculated with the following formula:

$$P_{TOTAL} = (V_{IN} - 5) I_L + (V_{IN})I_G$$

Next step is to calculate the temperature rise T_R (max). T_J (max) maximum allowable junction temperature, T_A (max) maximum ambient temperature :

$$T_R (\text{max}) = T_J (\text{max}) - T_A (\text{max})$$

Junction to ambient thermal resistance $\theta_{(J-A)}$ can be calculated after determining of P_{TOTAL} & T_R (max):

$$\theta_{(J-A)} = T_R (\text{max}) / P_{(\text{max})}$$

If the $\theta_{(J-A)}$ is 60 $^{\circ}$ C/W or higher, the device could be operated without a heat sink. If the value is below 60 $^{\circ}$ C/W then the heat sink is required and the thermal resistance of the heat sink can be calculated by the following formula, $\theta_{(J-C)}$ junction to case, $\theta_{(C-H)}$ case to heat sink, $\theta_{(H-A)}$ heat sink to ambient:

$$\theta_{(J-A)} = \theta_{(J-C)} + \theta_{(C-H)} + \theta_{(H-A)}$$

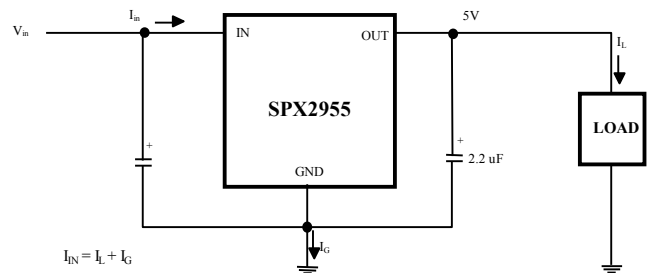
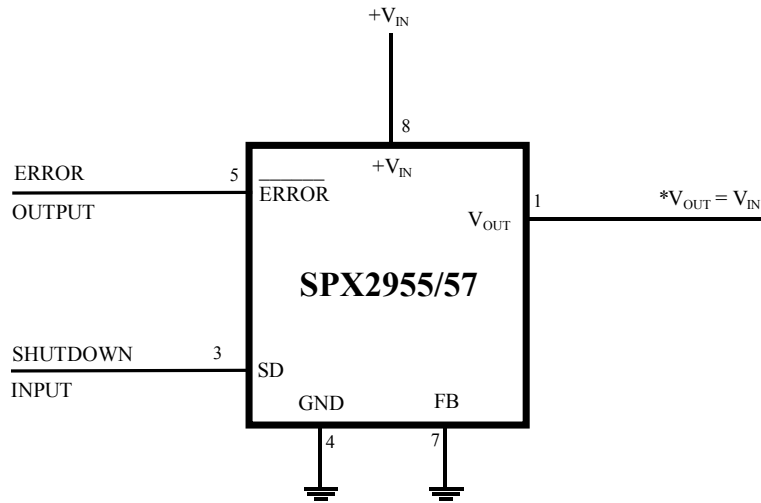


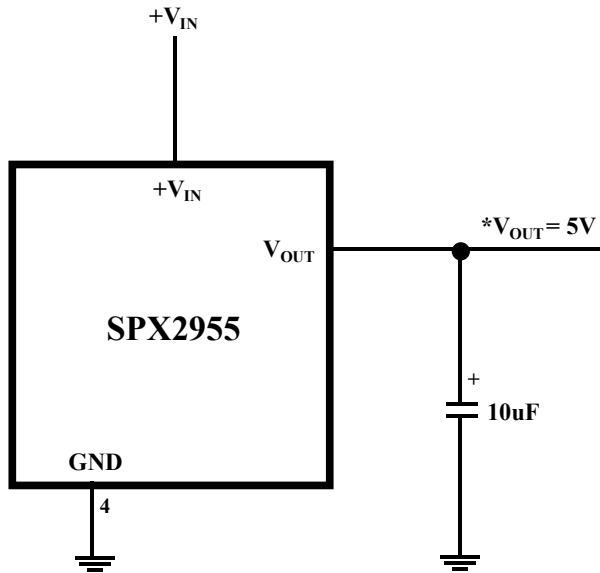
Figure 3. 5V Regulator Circuit

TYPICAL APPLICATIONS



*MINIMUM INPUT-OUTPUT VOLTAGE RANGES FROM 4mV TO 400mV. DEPENDING ON LOAD CURRENT. CURRENT LIMIT IS TYPICALLY 160mA

Wide Input Voltage Range Current



SPX2955 FIXED +5V REGULATOR

ORDERING INFORMATION

Ordering No.	Precision	Output Voltage	Packages
SPX2955U3	2%	Adj	3 Lead TO-220
SPX2955U3-3.3	2%	3.3V	3 Lead TO-220
SPX2955U3-5.0	2%	5.0V	3 Lead TO-220
SPX2955AU3	1%	Adj	3 Lead TO-220
SPX2955AU3-3.3	1%	3.3V	3 Lead TO-220
SPX2955AU3-5.0	1%	5.0V	3 Lead TO-220
SPX2955U5	2%	Adj	5 Lead TO-220
SPX2955U5-3.3	2%	3.3V	5 Lead TO-220
SPX2955U5-5.0	2%	5.0V	5 Lead TO-220
SPX2955AU5	1%	Adj	5 Lead TO-220
SPX2955AU5-3.3	1%	3.3V	5 Lead TO-220
SPX2955AU5-5.0	1%	5.0V	5 Lead TO-220
SPX2955T3	2%	Adj	3 Lead TO-263
SPX2955T3-3.3	2%	3.3V	3 Lead TO-263
SPX2955T3-5.0	2%	5.0V	3 Lead TO-263
SPX2955AT3	1%	Adj	3 Lead TO-263
SPX2955AT3-3.3	1%	3.3V	3 Lead TO-263
SPX2955AT3-5.0	1%	5.0V	3 Lead TO-263
SPX2955T5	2%	Adj	5 Lead TO-263
SPX2955T5-3.3	2%	3.3V	5 Lead TO-263
SPX2955T5-5.0	2%	5.0V	5 Lead TO-263
SPX2955AT5	1%	Adj	5 Lead TO-263
SPX2955AT5-3.3	1%	3.3V	5 Lead TO-263
SPX2955AT5-5.0	1%	5.0V	5 Lead TO-263
SPX2955S	2%	Adj	8 Lead SOIC
SPX2955S-3.3	2%	3.3V	8 Lead SOIC
SPX2955S-5.0	2%	5.0V	8 Lead SOIC
SPX2955AS	1%	Adj	8 Lead SOIC
SPX2955AS-3.3	1%	3.3V	8 Lead SOIC
SPX2955AS-5.0	1%	5.0V	8 Lead SOIC
SPX2955AS-3.3	1%	3.3V	8 Lead SOIC
SPX2955AS-5.0	1%	5.0V	8 Lead SOIC
SPX2956U3-3.3	2%	3.3V	3 Lead TO-220
SPX2956U3-5.0	2%	5.0V	3 Lead TO-220
SPX2956AU3-3.3	1%	3.3V	3 Lead TO-220
SPX2956AU3-5.0	1%	5.0V	3 Lead TO-220
SPX2956U5-3.3	2%	3.3V	5 Lead TO-220
SPX2956U5-5.0	2%	5.0V	5 Lead TO-220
SPX2956AU5-3.3	1%	3.3V	5 Lead TO-220
SPX2956AU5-5.0	1%	5.0V	5 Lead TO-220
SPX2956T3-3.3	2%	3.3V	3 Lead TO-263
SPX2956T3-5.0	2%	5.0V	3 Lead TO-263

ORDERING INFORMATION

Ordering No.	Precision	Output Voltage	Packages
SPX2956AT3-3.3	1%	3.3V	3 Lead TO-263
SPX2956AT3-5.0	1%	5.0V	3 Lead TO-263
SPX2956T5-3.3	2%	3.3V	5 Lead TO-263
SPX2956T5-5.0	2%	5.0V	5 Lead TO-263
SPX2956AT5-3.3	1%	3.3V	5 Lead TO-263
SPX2956AT5-5.0	1%	5.0V	5 Lead TO-263
SPX2956S-3.3	2%	3.3V	8 Lead SOIC
SPX2956S-5.0	2%	5.0V	8 Lead SOIC
SPX2957U3	2%	Adj	3 Lead TO-220
SPX2957AU3	1%	Adj	3 Lead TO-220
SPX2957U5	2%	Adj	5 Lead TO-220
SPX2957AU5	1%	Adj	5 Lead TO-220
SPX2957T3	2%	Adj	3 Lead TO-263
SPX2957AT3	1%	Adj	3 Lead TO-263
SPX2957T5	2%	Adj	5 Lead TO-263
SPX2957AT5	1%	Adj	5 Lead TO-263
SPX2957S	2%	Adj	8 Lead SOIC
SPX2957AS	1%	Adj	8 Lead SOIC



SIGNAL PROCESSING EXCELLENCE

Sipex Corporation

Headquarters and Main Offices:

22 Linnell Circle
Billerica, MA 01821
TEL: (978) 667-8700
FAX: (978) 670-9001
e-mail: sales@sipex.com

233 South Hillview Drive
Milpitas, CA 95035
TEL: (408) 935-7600
FAX: (408) 934-7500

Sipex Corporation reserves the right to make changes to any products described herein. Sipex does not assume any liability arising out of the application or use of any product or circuit described hereing; neither does it convey any license under its patent rights nor the rights of others.