

---

**EM78P259N/260N**

**8-Bit Microprocessor  
with OTP ROM**

**Product  
Specification**

**Doc. VERSION 1.0**

**ELAN MICROELECTRONICS CORP.**

June 2005


---



**Trademark Acknowledgments:**

IBM is a registered trademark and PS/2 is a trademark of IBM.

Windows is a trademark of Microsoft Corporation.

ELAN and ELAN logo  are trademarks of ELAN Microelectronics Corporation.

Copyright © 2005 by ELAN Microelectronics Corporation

All Rights Reserved

Printed in Taiwan

The contents of this specification are subject to change without further notice. ELAN Microelectronics assumes no responsibility concerning the accuracy, adequacy, or completeness of this specification. ELAN Microelectronics makes no commitment to update, or to keep current the information and material contained in this specification. Such information and material may change to conform to each confirmed order.

In no event shall ELAN Microelectronics be made responsible for any claims attributed to errors, omissions, or other inaccuracies in the information or material contained in this specification. ELAN Microelectronics shall not be liable for direct, indirect, special incidental, or consequential damages arising from the use of such information or material.

The software (if any) described in this specification is furnished under a license or nondisclosure agreement, and may be used or copied only in accordance with the terms of such agreement.

ELAN Microelectronics products are not intended for use in life support appliances, devices, or systems. Use of ELAN Microelectronics product in such applications is not supported and is prohibited.

NO PART OF THIS SPECIFICATION MAY BE REPRODUCED OR TRANSMITTED IN ANY FORM OR BY ANY MEANS WITHOUT THE EXPRESSED WRITTEN PERMISSION OF ELAN MICROELECTRONICS.



**ELAN MICROELECTRONICS CORPORATION**

**Headquarters:**

No. 12, Innovation Road 1  
Hsinchu Science Park  
Hsinchu, Taiwan 308  
Tel: +886 3 563-9977  
Fax: +886 3 563-9966  
<http://www.emc.com.tw>

**Hong Kong:**

**Elan (HK) Microelectronics Corporation, Ltd.**  
Rm. 1005B, 10/F Empire Centre  
68 Mody Road, Tsimshatsui  
Kowloon, HONG KONG  
Tel: +852 2723-3376  
Fax: +852 2723-7780  
[elanhk@emc.com.hk](mailto:elanhk@emc.com.hk)

**USA:**

**Elan Information Technology Group**  
1821 Saratoga Ave., Suite 250  
Saratoga, CA 95070  
USA  
Tel: +1 408 366-8223  
Fax: +1 408 366-8220

**Europe:**

**Elan Microelectronics Corp. (Europe)**  
Siewerdtstrasse 105  
8050 Zurich, SWITZERLAND  
Tel: +41 43 299-4060  
Fax: +41 43 299-4079  
<http://www.elan-europe.com>

**Shenzhen:**

**Elan Microelectronics Shenzhen, Ltd.**  
SSMEC Bldg., 3F, Gaoxin S. Ave.  
Shenzhen Hi-Tech Industrial Park  
Shenzhen, Guangdong, CHINA  
Tel: +86 755 2601-0565  
Fax: +86 755 2601-0500

**Shanghai:**

**Elan Microelectronics Shanghai Corporation, Ltd.**  
23/Bldg. #115 Lane 572, Bibo Road  
Zhangjiang Hi-Tech Park  
Shanghai, CHINA  
Tel: +86 021 5080-3866  
Fax: +86 021 5080-4600

# Contents

<b>1</b>	<b>General Description</b> .....	<b>1</b>
<b>2</b>	<b>Features</b> .....	<b>1</b>
<b>3</b>	<b>Pin Configuration (Package)</b> .....	<b>2</b>
3.1	EM78P259NP/M Pin Assignment .....	2
3.2	EM78P260NP/M/KM Pin Assignment .....	3
<b>4</b>	<b>Functional Block Diagram</b> .....	<b>3</b>
<b>5</b>	<b>Pin Description</b> .....	<b>4</b>
5.1	EM78P259NP/M Pin Description .....	4
5.2	EM78P260NP/M/KM Pin Description .....	5
<b>6</b>	<b>Function Description</b> .....	<b>6</b>
6.1	Operational Registers .....	6
6.1.1	R0 (Indirect Address Register) .....	6
6.1.2	R1 (Time Clock /Counter) .....	6
6.1.3	R2 (Program Counter) and Stack .....	6
6.1.3.1	Data Memory Configuration .....	8
6.1.4	R3 (Status Register) .....	9
6.1.5	R4 (RAM Select Register) .....	9
6.1.6	R5 ~ R6 (Port 5 ~ Port 6) .....	10
6.1.7	R7 (Port 7) .....	10
6.1.8	R8 (AISR: ADC Input Select Register) .....	11
6.1.9	R9 (ADCON: ADC Control Register) .....	12
6.1.10	RA (ADOC: ADC Offset Calibration Register) .....	13
6.1.11	RB (ADDATA: Converted Value of ADC) .....	13
6.1.12	RC (ADDATA1H: Converted Value of ADC) .....	14
6.1.13	RD (ADDATA1L: Converted Value of ADC) .....	14
6.1.14	RE (Interrupt Status 2 & Wake-Up Control Register) .....	14
6.1.15	RF (Interrupt Status 2 Register) .....	15
6.1.16	R10 ~ R3F .....	15
6.2	Special Purpose Registers .....	16
6.2.1	A (Accumulator) .....	16
6.2.2	CONT (Control Register) .....	16
6.2.3	IOC50 ~ IOC70 (I/O Port Control Register) .....	17
6.2.4	IOC80 (Comparator and TCCA Control Register) .....	17
6.2.5	IOC90 (TCCB and TCCC Control Register) .....	18
6.2.6	IOCA0 (IR and TCCC Scale Control Register) .....	19
6.2.7	IOCB0 (Pull-Down Control Register) .....	21
6.2.8	IOCC0 (Open-Drain Control Register) .....	21

6.2.9	IOCD0 (Pull-high Control Register).....	22
6.2.10	IOCE0 (WDT Control & Interrupt Mask Registers 2) .....	22
6.2.11	IOCF0 (Interrupt Mask Register).....	23
6.2.12	IOC51 (TCCA Counter) .....	24
6.2.13	IOC61 (TCCB Counter).....	24
6.2.14	IOC71 (TCCBH/MSB Counter) .....	25
6.2.15	IOC81 (TCCC Counter).....	25
6.2.16	IOC91 (Low-Time Register) .....	26
6.2.17	IOCA1 (High Time Register) .....	26
6.2.18	IOCB1 High/Low Time Scale Control Register) .....	26
6.2.19	IOCC1 (TCC Prescaler Counter) .....	27
6.3	TCC/WDT and Prescaler.....	28
6.4	I/O Ports .....	29
6.4.1	Usage of Port 5 Input Change Wake-up/Interrupt Function .....	32
6.5	RESET and Wake-up .....	32
6.5.1	RESET and Wake-up Operation .....	32
6.5.1.1	Wake-Up and Interrupt Modes Operation Summary.....	35
6.5.1.2	Register Initial Values after Reset .....	37
6.5.1.3	Controller Reset Block Diagram.....	42
6.5.2	The T and P Status under STATUS Register .....	42
6.6	Interrupt.....	42
6.7	Analog-To-Digital Converter (ADC) .....	45
6.7.1	ADC Control Register (AISR/R8, ADCON/R9, ADOC/RA) .....	45
6.7.1.1	R8 (AISR: ADC Input Select Register).....	45
6.7.1.2	R9 (ADCON: ADC Control Register).....	46
6.7.1.3	RA (ADOC: ADC Offset Calibration Register).....	47
6.7.2	ADC Data Register (ADDATA/RB, ADDATA1H/RC, ADDATA1L/RD) .....	48
6.7.3	ADC Sampling Time .....	48
6.7.4	AD Conversion Time .....	48
6.7.5	ADC Operation during Sleep Mode.....	48
6.7.6	Programming Process/Considerations.....	49
6.7.6.1	Programming Process.....	49
6.7.6.2	Sample Demo Programs .....	50
6.8	Infrared Remote Control Application/PWM Waveform Generation.....	52
6.8.1	Overview .....	52
6.8.2	Function Description.....	53
6.8.3	Programming the Related Registers .....	55
6.9	Timer/Counter.....	56
6.9.1	Overview .....	56
6.9.2	Function Description.....	56
6.9.3	Programming the Related Registers .....	58



6.10	Comparator .....	58
6.10.1	External Reference Signal .....	59
6.10.2	Comparator Outputs.....	60
6.10.3	Using Comparator as an Operation Amplifier.....	60
6.10.4	Comparator Interrupt.....	60
6.10.5	Wake-up from SLEEP Mode .....	60
6.11	Oscillator .....	61
6.11.1	Oscillator Modes.....	61
6.11.2	Crystal Oscillator/Ceramic Resonators (XTAL).....	62
6.11.3	External RC Oscillator Mode.....	63
6.11.4	Internal RC Oscillator Mode .....	64
6.12	Power-on Considerations .....	65
6.12.1	Programmable WDT Time-Out Period .....	65
6.12.2	External Power-on Reset Circuit .....	65
6.12.3	Residual Voltage Protection .....	66
6.13	Code Option .....	67
6.13.1	Code Option Register (Word 0).....	67
6.13.2	Code Option Register (Word 1).....	68
6.13.3	Customer ID Register (Word 2).....	69
6.14	Instruction Set .....	69
<b>7</b>	<b>Absolute Maximum Ratings .....</b>	<b>71</b>
<b>8</b>	<b>DC Electrical Characteristics .....</b>	<b>72</b>
8.1	AD Converter Characteristics .....	73
8.2	Comparator (OP) Characteristics .....	74
8.3	Device Characteristics.....	74
<b>9</b>	<b>AC Electrical Characteristic .....</b>	<b>75</b>
<b>10</b>	<b>Timing Diagrams .....</b>	<b>76</b>

## APPENDIX

<b>A.</b>	<b>Package Types Summary .....</b>	<b>77</b>
<b>B</b>	<b>Packaging Configurations.....</b>	<b>77</b>
B.1	18-Lead Plastic Dual in line (PDIP) - 300 mil .....	77
B.2	18-Lead Plastic Small Outline (SOP) - 300 mil .....	78
B.3	20-Lead Plastic Shrink Small Outline (SSOP) - 209 mil .....	79
B.4	20-Lead Plastic Dual-in-line (PDIP) - 300 mil.....	80
B.5	20-Lead Plastic Small Outline (SOPP) - 300 mil .....	81
<b>C</b>	<b>Quality Assurance and Reliability .....</b>	<b>82</b>
C.1	Address Trap Detect.....	82



### Specification Revision History

Doc. Version	Revision Description	Date
1.0	Initial official version	2005/06/16



## 1 General Description

EM78P259N and EM78P260N are 8-bit microprocessors designed and developed with low-power and high-speed CMOS technology. It is equipped with a 2K\*13-bit Electrical One Time Programmable Read Only Memory (OTP-ROM). With its OTP-ROM feature, it is able to offer a convenient way of developing and verifying your programs. Moreover, it provides a protect bit to guard against code intrusion, as well as 3 Code Option words to accommodate your requirements. Furthermore you can take advantage of ELAN Writer to easily write your development code into the EM78P259N and EM78P260N.

## 2 Features

- Operating voltage range: 2.3V~5.5V base on 0°C ~ 70°C (commercial)  
2.5V~5.5V base on -40°C ~ 85°C (industrial)
- Operating frequency range (base on 2 clocks):
  - Crystal mode: DC ~ 20MHz/2clks, 5V; DC ~ 8MHz/2clks, 3V
  - RC mode: DC ~ 4MHz/2clks, 5V; DC ~ 4MHz/2clks, 3V
- Low power consumption:
  - Less than 1.9 mA at 5V/4MHz
  - Typically 15  $\mu$ A, at 3V/32kHz
  - Typically 1  $\mu$ A, during sleep mode
- Built-in RC oscillator 4MHz, 8MHz, 1MHz, 455kHz (auto calibration)
- Programmable WDT time (4.5ms:18ms)
- Independent Programmable prescaler of WDT
- One configuration register to match your requirements, and user's ID code for customer use is provided
- 80 $\times$  8 on chip registers (SRAM, general purpose register)
- 2K  $\times$  13 on-chip ROM
- Bi-directional I/O ports
- 8-level stacks for subroutine nesting
- 8-bit real time clock/counter (TCC) with selective signal sources, trigger edges, and overflow interrupt
- 8-bit real time clock/counter (TCCA, TCCC) and 16-bit real time clock/counter (TCCB) with selective signal sources, trigger edges, and overflow interrupt
- One pair of comparators (can act as an OP)
- 4-bit multi-channel Analog-to-Digital Converter with 12-bit resolution



- Easily-implemented IR (Infrared remote control) application circuit
- Power down (SLEEP) mode
- Six interrupt sources:
  - TCC, TCCA, TCCB, and TCCC overflow interrupt
  - Input-port status change interrupt (wake-up from sleep mode)
  - External interrupt
  - Comparators status change interrupt
  - IR/PWM interrupt
  - ADC completion interrupt
- Programmable free running watchdog timer
- 8 programmable pull-high I/O pins
- 8 programmable open-drain I/O pins
- 8 programmable pull-down I/O pins.
- Two or Four clocks per instruction cycle
- Package types:
  - 18-pin DIP 300mil : EM78P259NP
  - 18-pin SOP 300mil : EM78P259NM
  - 20-pin DIP 300mil : EM78P260NP
  - 20-pin SOP 300mil : EM78P260NM
  - 20-pin SSOP 209mil : EM78P260NKM
- Power-on voltage detector available (2.0V± 0.1V)

### 3 Pin Configuration (Package)

#### 3.1 EM78P259NP/M Pin Assignment

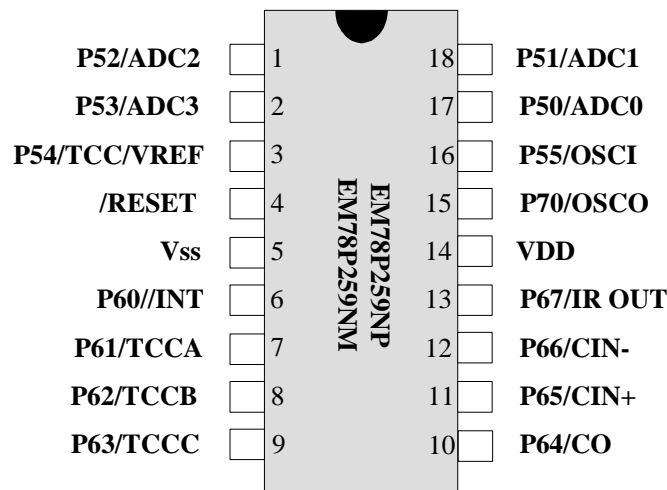


Fig. 3-1 Pin Assignment – EM78P259NP/M



### 3.2 EM78P260NP/M/KM Pin Assignment

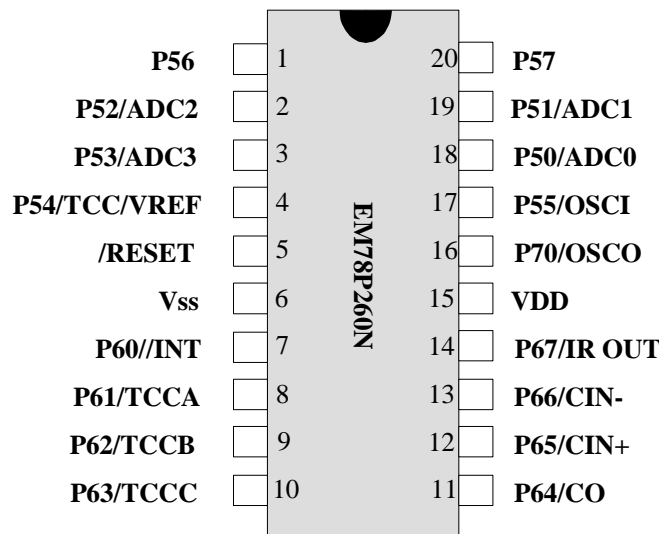


Fig. 3-2 Pin Assignment – EM78P260NP/M/KM

## 4 Functional Block Diagram

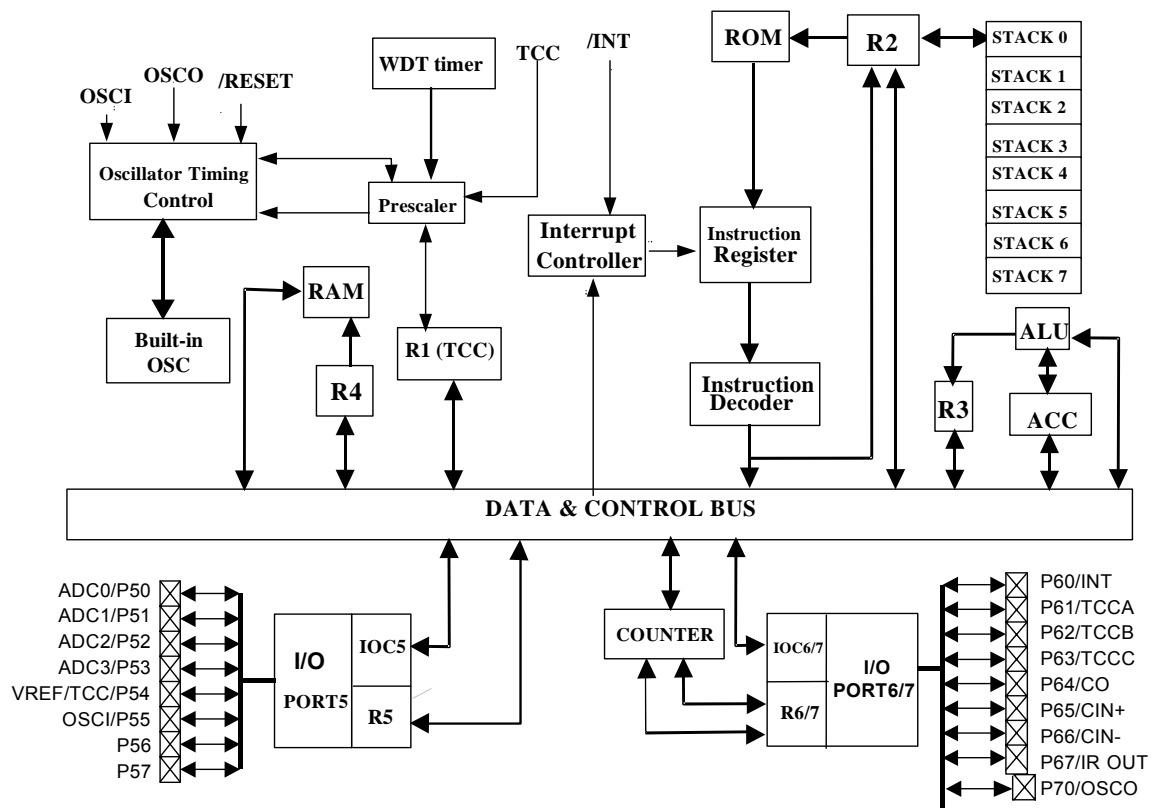


Fig. 4-1 EM78P259N/260N Functional Block Diagram

## 5 Pin Description

### 5.1 EM78P259NP/M Pin Description

Symbol	Pin No.	Type	Function
VDD	14	–	Power supply
OSCI	16	I	<ul style="list-style-type: none"> <li>■ XTAL type Crystal input terminal or external clock input pin</li> <li>■ RC type: RC oscillator input pin</li> </ul>
OSCO	15	I/O	<ul style="list-style-type: none"> <li>■ XTAL type: Output terminal for crystal oscillator or external clock input pin</li> <li>■ RC type: Clock output with a duration one instruction cycle</li> <li>■ External clock signal input</li> </ul>
P70	15	I/O	<ul style="list-style-type: none"> <li>■ General-purpose I/O pin</li> <li>■ Default value at power-on reset</li> </ul>
P60 ~ P67	6 ~ 13	I/O	<ul style="list-style-type: none"> <li>■ General-purpose I/O pin</li> <li>■ Open drain</li> <li>■ Default value at power-on reset</li> </ul>
P50 ~ P55	1 ~ 3 16 ~ 18	I/O	<ul style="list-style-type: none"> <li>■ General-purpose I/O pin</li> <li>■ Pull-high/pull-down</li> <li>■ Wake up from sleep mode when the status of the pin changes</li> <li>■ Default value at power-on reset</li> </ul>
CIN–, CIN+ CO	12, 11 10	I O	<ul style="list-style-type: none"> <li>■ “–” → the input pin of Vin– of a comparator</li> <li>■ “+” → the input pin of Vin+ of a comparator</li> <li>■ Pin CO is the output of the comparator</li> <li>■ Defined by IOC80 &lt;4:3&gt;</li> </ul>
IR OUT	13	O	<ul style="list-style-type: none"> <li>■ IR mode output pin. Capable of driving and sinking current = 20mA when the output voltage drops to 0.7Vdd and rise to 0.3Vdd at Vdd = 5V.</li> </ul>
VREF	3	I	<ul style="list-style-type: none"> <li>■ External reference voltage for ADC</li> <li>■ Defined by ADCON (R9)&lt;7&gt;</li> </ul>
/INT	6	I	<ul style="list-style-type: none"> <li>■ External interrupt pin triggered by falling or rising edge</li> <li>■ Defined by CONT &lt;7&gt;</li> </ul>
TCC, TCCA, TCCB, TCCC	3, 7, 8, 9	I	<ul style="list-style-type: none"> <li>■ External Counter input</li> <li>■ TCC defined by CONT&lt;5&gt;</li> <li>■ TCCA defined by IOC80 &lt;1&gt;</li> <li>■ TCCB defined by IOC90 &lt;5&gt;</li> <li>■ TCCC defined by IOC90 &lt;1&gt;</li> </ul>
ADC0 ~ ADC3	1, 2, 17, 18	I	<ul style="list-style-type: none"> <li>■ Analog to Digital Converter</li> <li>■ Defined by ADCON (R9)&lt;1:0&gt;</li> </ul>
/RESET	4	I	<ul style="list-style-type: none"> <li>■ If it remains at logic low, the device will be reset</li> <li>■ Wake-up from sleep mode when pin status changes</li> <li>■ Voltage on /RESET/Vpp must not exceed Vdd during normal mode</li> </ul>
VSS	5	–	Ground

## 5.2 EM78P260NP/M/KM Pin Description

Symbol	Pin No.	Type	Function
VDD	15	–	Power supply.
OSCI	17	I	<ul style="list-style-type: none"> <li>■ XTAL type Crystal input terminal or external clock input pin</li> <li>■ RC type: RC oscillator input pin</li> </ul>
OSCO	16	I/O	<ul style="list-style-type: none"> <li>■ XTAL type: Output terminal for crystal oscillator or external clock input pin</li> <li>■ RC type: Clock output with a time period of one instruction cycle.</li> <li>■ External clock signal input</li> </ul>
P70	16	I/O	<ul style="list-style-type: none"> <li>■ General-purpose I/O pin</li> <li>■ Default value at power-on reset</li> </ul>
P60 ~ P67	7 ~ 14	I/O	<ul style="list-style-type: none"> <li>■ General-purpose I/O pin</li> <li>■ Open-drain</li> <li>■ Default value at power-on reset</li> </ul>
P50 ~ P57	1 ~ 4 17 ~ 20	I/O	<ul style="list-style-type: none"> <li>■ General-purpose I/O pin</li> <li>■ Pull-high/pull-down</li> <li>■ Wake up from sleep mode when the status of the pin changes</li> <li>■ Default value at power-on reset</li> </ul>
CIN–, CIN+	13, 12	I	<ul style="list-style-type: none"> <li>■ “–”→ the input pin of Vin– of a comparator</li> <li>■ “+”→ the input pin of Vin+ of a comparator</li> </ul>
CO	11	O	<ul style="list-style-type: none"> <li>■ Pin CO is the output of the comparator</li> <li>■ Defined by IOC80 &lt;4:3&gt;</li> </ul>
IR OUT	14	O	<ul style="list-style-type: none"> <li>■ IR mode output pin. Capable of driving and sinking current = 20mA when the output voltage drops to 0.7Vdd and rise to 0.3Vdd at Vdd = 5V.</li> </ul>
VREF	4	I	<ul style="list-style-type: none"> <li>■ External reference voltage for ADC</li> <li>■ Defined by ADCON (R9)&lt;7&gt;</li> </ul>
/INT	7	I	<ul style="list-style-type: none"> <li>■ External interrupt pin triggered by falling or rising edge.</li> <li>■ Defined by CONT &lt;7&gt;</li> </ul>
TCC, TCCA, TCCB, TCCC	4, 8, 9, 10	I	<ul style="list-style-type: none"> <li>■ External Counter input</li> <li>■ TCC defined by CONT&lt;5&gt;</li> <li>■ TCCA defined by IOC80 &lt;1&gt;</li> <li>■ TCCB defined by IOC90 &lt;5&gt;</li> <li>■ TCCC defined by IOC90 &lt;1&gt;</li> </ul>
ADC0 ~ ADC3	2, 3, 18, 19	I	<ul style="list-style-type: none"> <li>■ Analog to Digital Converter</li> <li>■ Defined by ADCON (R9)&lt;1:0&gt;</li> </ul>
/RESET	5	I	<ul style="list-style-type: none"> <li>■ If it remains at logic low, the device will be reset</li> <li>■ Wake-up from sleep mode when pin status changes</li> <li>■ Voltage on /RESET/Vpp must not exceed Vdd during normal mode</li> </ul>
VSS	6	–	Ground

## 6 Function Description

### 6.1 Operational Registers

#### 6.1.1 R0 (Indirect Address Register)

R0 is not a physically implemented register. Its major function is to perform as an indirect address pointer. Any instruction using R0 as a pointer, actually accesses the data pointed by the RAM Select Register (R4).

#### 6.1.2 R1 (Time Clock /Counter)

- Increased by an external signal edge which is defined by the TE bit (CONT-4) through the TCC pin, or by the instruction cycle clock.
- Writable and readable as any other registers
- The TCC prescaler counter (IOCC1) is assigned to TCC
- The contents of the IOCC1 register is cleared whenever –
  - a value is written to TCC register.
  - a value is written to TCC prescaler bits (Bit3, 2, 1, 0 of the CONT register)
  - during power on reset, /RESET, or WDT time out reset.

#### 6.1.3 R2 (Program Counter) and Stack

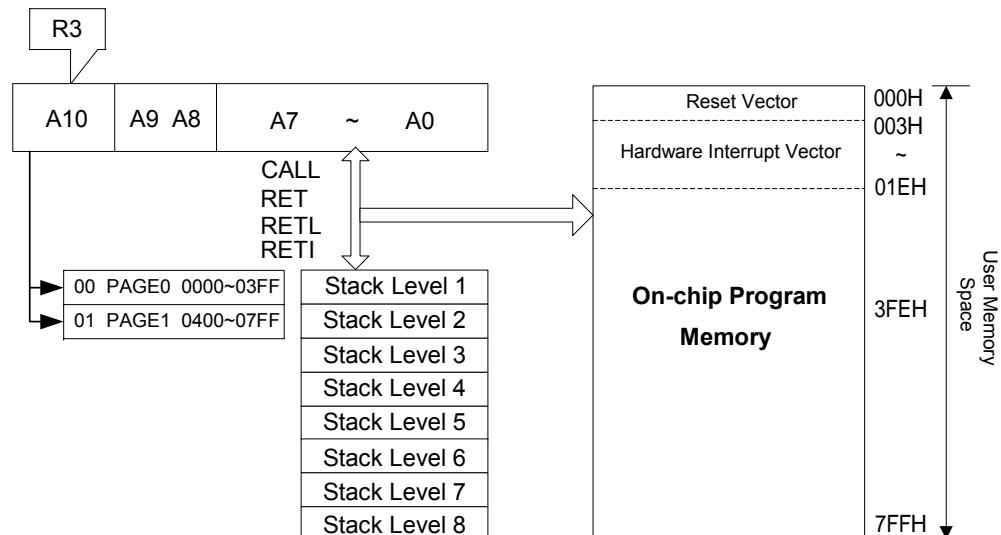


Fig. 5-2 Program Counter Organization

- R2 and hardware stacks are 12-bit wide. The structure is depicted in the table under Section 6.1.3.1, *Data Memory Configuration* (next page).
- Generates 2K×13 bits on-chip ROM addresses to the relative programming instruction codes. One program page is 1024 words long.
- The contents of R2 are all set to "0"s when a RESET condition occurs.



- "JMP" instruction allows direct loading of the lower 10 program counter bits. Thus, "JMP" allows PC to jump to any location within a page.
- "CALL" instruction loads the lower 10 bits of the PC, and then PC+1 is pushed into the stack. Thus, the subroutine entry address can be located anywhere within a page.
- "RET" ("RETL k", "RETI") instruction loads the program counter with the contents of the top of stack.
- "ADD R2, A" allows a relative address to be added to the current PC, and the ninth and above bits of the PC will increase progressively.
- "MOV R2, A" allows loading of an address from the "A" register to the lower 8 bits of the PC, and the ninth and tenth bits (A8 ~ A9) of the PC will remain unchanged.
- Any instruction (except "ADD R2,A") that is written to R2 (e.g., "MOV R2, A", "BC R2, 6",.....) will cause the ninth bit and the tenth bit (A8 ~ A9) of the PC to remain unchanged.
- In the case of EM78P259N/260N, the most significant bit (A10) will be loaded with the content of PS0 in the status register (R3) upon execution of a "JMP", "CALL", or any other instructions set which write to R2.
- All instructions are single instruction cycle (fclk/2 or fclk/4) except for the instructions that are written to R2. Note that these instructions need one or two instructions cycle as determined by Code Option Register CYES bit.



**6.1.3.1 Data Memory Configuration**

Address	R PAGE registers		IOCX0 PAGE registers	IOCX1 PAGE registers
00	<b>R0</b> (Indirect Addressing Register)		Reserve	Reserve
01	<b>R1</b> (Time Clock Counter)		<b>CONT</b> (Control Register)	Reserve
02	<b>R2</b> (Program Counter)		Reserve	Reserve
03	<b>R3</b> (Status Register)		Reserve	Reserve
04	<b>R4</b> (RAM Select Register)		Reserve	Reserve
05	<b>R5</b> (Port5)		<b>IOCS0</b> (I/O Port Control Register)	<b>IOCS1</b> (TCCA Counter)
06	<b>R6</b> (Port6)		<b>IOCS6</b> (I/O Port Control Register)	<b>IOCS6</b> (TCCB LSB Counter)
07	<b>R7</b> (Port7)		<b>IOCS7</b> (I/O Port Control Register)	<b>IOCS7</b> (TCCB HSB Counter)
08	<b>R8</b> (ADC Input Select Register)		<b>IOCS8</b> (Comparator and TCCA Control Register)	<b>IOCS8</b> (TCCC Counter)
09	<b>R9</b> (ADC Control Register)		<b>IOCS9</b> (TCCB and TCCC Control Register)	<b>IOCS9</b> (Low-Time Register)
0A	<b>RA</b> (ADC Offset Calibration Register)		<b>IOCA0</b> (IR and TCCC Scale Control Register)	<b>IOCA1</b> (High-Time Register)
0B	<b>RB</b> (The converted value AD11~AD4 of ADC)		<b>IOCB0</b> (Pull-down Control Register)	<b>IOCB1</b> (High-Time and Low-Time Scale control Register)
0C	<b>RC</b> (The converted value AD11~AD8 of ADC)		<b>IOCC0</b> (Open-drain Control Register)	<b>IOCC1</b> (TCC Prescaler Control)
0D	<b>RD</b> (The converted value AD7~AD0 of ADC)		<b>IOCD0</b> (Pull-high Control Register)	Reserve
0E	<b>RE</b> (Interrupt Status 2 and Wake-Up Control Register)		<b>IOCE0</b> (WDT Control Register and Interrupt Mask Register 2)	Reserve
0F	<b>RF</b> (Interrupt Status Register 1)		<b>IOCF0</b> (Interrupt Mask Register 1)	Reserve
10 : 1F	General Registers			
20 : 3F	Bank0	Bank1		

### 6.1.4 R3 (Status Register)

7	6	5	4	3	2	1	0
RST	IOCS	PS0	T	P	Z	DC	C

**Bit 7 (RST):** Bit of reset type

Set to "1" if wake-up from sleep on pin change, comparator status change, or AD conversion completed. Set to "0" if wake-up from other reset types

**Bit 6 (IOCS):** Select the Segment of IO control register

0 = Segment 0 (IOC50 ~ IOCF0) selected  
1 = Segment 1 (IOC51 ~ IOCC1) selected

**Bit 5 (PS0):** Page select bits. PS0 is used to select a program memory page. When executing a "JMP," "CALL," or other instructions which cause the program counter to change (e.g., MOV R2, A), PS0 is loaded into the 11th bit of the program counter where it selects one of the available program memory pages. Note that RET (RETL, RETI) instruction does not change the PS0 bit. That is, the return will always be back to the page from where the subroutine was called, regardless of the current PS0 bit setting.

PS0	Program Memory Page [Address]
0	Page 0 [000-3FF]
1	Page 1 [400-7FF]

**Bit 4 (T):** Time-out bit. Set to "1" by the "SLEP" and "WDTC" commands or during power on; and reset to "0" by WDT time-out (see Section 6.5.2, *The T and P Status under STATUS Register* for more details).

**Bit 3 (P):** Power-down bit. Set to "1" during power-on or by a "WDTC" command and reset to "0" by a "SLEP" command (see Section 6.5.2, *The T and P Status under STATUS Register* for more details).

**Bit 2 (Z):** Zero flag. Set to "1" if the result of an arithmetic or logic operation is zero.

**Bit 1 (DC):** Auxiliary carry flag

**Bit 0 (C):** Carry flag

### 6.1.5 R4 (RAM Select Register)

**Bit 7:** Set to "0" all the time

**Bit 6:** Used to select Bank 0 or Bank 1 of register

**Bits 5~0:** Used to select a register (address: 00~0F, 10~3F) in the indirect addressing mode

See the table under Section 6.1.3.1, *Data Memory Configuration* for data memory configuration.



### 6.1.6 R5 ~ R6 (Port 5 ~ Port 6)

R5 & R6 are I/O registers

The upper 2 bits of R5 are fixed to "0" (if EM78P259N is selected).

Only the lower 6 bits of R5 are available (this applies to EM78P259N only as EM78P260N can use all the bits)

### 6.1.7 R7 (Port 7)

Bit	7	6	5	4	3	2	1	0
EM78P259N/260N	'0'	'0'	'0'	'0'	'0'	'0'	'0'	I/O
ICE259N	C3	C2	C1	C0	RCM1	RCM0	'0'	I/O

#### NOTE

- R7 is an I/O register
- For EM78P259N/260N, only the lower 1 bit of R7 is available.

Bit 7 ~ Bit 2:

[With EM78P259N/260N]: Unimplemented, read as '0'.

[With Simulator (C3~C0, RCM1, & RCM0)]: are IRC calibration bits in IRC oscillator mode. Under IRC oscillator mode of ICE259N simulator, these are the IRC mode selection bits and IRC calibration bits.

Bit 7 ~ Bit 4 (C3 ~ C0): Calibrator of internal RC mode

C3	C2	C1	C0	Frequency (MHz)
0	0	0	0	(1-36%) x F
0	0	0	1	(1-31.5%) x F
0	0	1	0	(1-27%) x F
0	0	1	1	(1-22.5%) x F
0	1	0	0	(1-18%) x F
0	1	0	1	(1-13.5%) x F
0	1	1	0	(1-9%) x F
0	1	1	1	(1-4.5%) x F
1	1	1	1	F (default)
1	1	1	0	(1+4.5%) x F
1	1	0	1	(1+9%) x F
1	1	0	0	(1+13.5%) x F
1	0	1	1	(1+18%) x F
1	0	1	0	(1+22.5%) x F
1	0	0	1	(1+27%) x F
1	0	0	0	(1+31.5%) x F

1. Frequency values shown are theoretical and taken at an instance of a high frequency mode. Hence, frequency values are shown for reference only. Definite values depend on the actual process.
2. Similar way of calculation is also applicable to low frequency mode.





**Bit 3 & Bit 2 ( RCM1, RCM0):** IRC mode selection bits

RCM 1	RCM 0	Frequency (MHz)
1	1	4 (default)
1	0	8
0	1	1
0	0	455kHz

### 6.1.8 R8 (AISR: ADC Input Select Register)

The AISR register defines the pins of Port 5 as analog inputs or as digital I/O, individually.

7	6	5	4	3	2	1	0
–	–	–	–	ADE3	ADE2	ADE1	ADE0

**Bit 7 ~ Bit 4:** Not used

**Bit 3 (ADE3):** AD converter enable bit of P53 pin

0 = Disable ADC3, P53 acts as I/O pin

1 = Enable ADC3, acts as analog input pin

**Bit 2 (ADE2):** AD converter enable bit of P52 pin

0 = Disable ADC2, P52 acts as I/O pin

1 = Enable ADC2, acts as analog input pin

**Bit 1 (ADE1):** AD converter enable bit of P51 pin

0 = Disable ADC1, P51 acts as I/O pin

1 = Enable ADC1, acts as analog input pin

**Bit 0 (ADE0):** AD converter enable bit of P50 pin.

0 = Disable ADC0, P50 acts as I/O pin

1 = Enable ADC0, acts as analog input pin



### 6.1.9 R9 (ADCON: ADC Control Register)

7	6	5	4	3	2	1	0
VREFS	CKR1	CKR0	ADRUN	ADPD	–	ADIS1	ADIS0

**Bit 7 (VREFS):** The input source of the Vref of the ADC

0 = The Vref of the ADC is connected to Vdd (default value), and the P54/VREF pin carries out the function of P54

1 = The Vref of the ADC is connected to P54/VREF

**NOTE**

- The P54/TCC/VREF pin cannot be applied to TCC and VREF at the same time. If P53/TCC/VREF acts as VREF analog input pin, then CONT Bit 5 “TS” must be “0.”
- The P54/TCC/VREF pin priority is as follows:

P53/TCC/VREF Pin Priority		
High	Medium	Low
VREF	TCC	P54

**Bit 6 & Bit 5 (CKR1 & CKR0):** The prescaler of oscillator clock rate of ADC

00 = 1: 4 (default value)

01 = 1: 16

10 = 1: 64

11 = 1: WDT ring oscillator frequency

CKR0:CKR1	Operation Mode	Max. Operation Frequency
00	Fsco/4	1 MHz
01	Fsco/16	4 MHz
10	Fsco/64	16MHz
11	Internal RC	–

**Bit 4 (ADRUN):** ADC starts to RUN.

1 = an AD conversion is started. This bit can be set by software

0 = Reset upon completion of the conversion. This bit **cannot** be reset through software

**Bit 3 (ADPD):** ADC Power-down mode

1 = ADC is operating

0 = Switch off the resistor reference to save power even while the CPU is operating

**Bit 2:** Not used



**Bit 1 ~ Bit 0 (ADIS1 ~ADIS0):** Analog Input Select

- 00 = ADIN0/P50
- 01 = ADIN1/P51
- 10 = ADIN2/P52
- 11 = ADIN3/P53

These bits can only be changed when the ADIF bit (see Section 6.1.14, *RE (Interrupt Status 2 & Wake-Up Control Register)*) and the ADRUN bit are both LOW.

### 6.1.10 RA (ADOC: ADC Offset Calibration Register)

7	6	5	4	3	2	1	0
CALI	SIGN	VOF[2]	VOF[1]	VOF[0]	"0"	"0"	"0"

**Bit 7 (CALI):** Calibration enable bit for ADC offset  
 0 = Calibration disable  
 1 = Calibration enable

**Bit 6 (SIGN):** Polarity bit of offset voltage  
 0 = Negative voltage  
 1 = Positive voltage

**Bit 5 ~ Bit 3 (VOF[2] ~ VOF[0]):** Offset voltage bits

VOF[2]	VOF[1]	VOF[0]	EM78P259N/260N	ICE259N
0	0	0	0LSB	0LSB
0	0	1	2LSB	1LSB
0	1	0	4LSB	2LSB
0	1	1	6LSB	3LSB
1	0	0	8LSB	4LSB
1	0	1	10LSB	5LSB
1	1	0	12LSB	6LSB
1	1	1	14LSB	7LSB

**Bit 2 ~ Bit 0:** Unimplemented, read as '0'

### 6.1.11 RB (ADDATA: Converted Value of ADC)

7	6	5	4	3	2	1	0
AD11	AD10	AD9	AD8	AD7	AD6	AD5	AD4

When the AD conversion is completed, the result is loaded into the ADDATA. The ADRUN bit is cleared, and the ADIF (see Section 6.1.14, *RE (Interrupt Status 2 & Wake-Up Control Register)*) is set.

RB is read only.



### 6.1.12 RC (ADDATA1H: Converted Value of ADC)

7	6	5	4	3	2	1	0
"0"	"0"	"0"	"0"	AD11	AD10	AD9	AD8

When the AD conversion is completed, the result is loaded into the ADDATA1H. The ADRUN bit is cleared, and the ADIF (see Section 6.1.14, *RE (Interrupt Status 2 & Wake-Up Control Register)*) is set.

RC is read only

### 6.1.13 RD (ADDATA1L: Converted Value of ADC)

7	6	5	4	3	2	1	0
AD7	AD6	AD5	AD4	AD3	AD2	AD1	AD0

When the AD conversion is completed, the result is loaded into the ADDATA1L. The ADRUN bit is cleared, and the ADIF (see Section 6.1.14, *RE (Interrupt Status 2 & Wake-Up Control Register)*) is set.

RD is read only

### 6.1.14 RE (Interrupt Status 2 & Wake-Up Control Register)

7	6	5	4	3	2	1	0
-	-	ADIF	CMPIF	ADWE	CMPWE	ICWE	-

#### NOTE

- RE <5,4> can be cleared by instruction but cannot be set.
- IOCE0 is the interrupt mask register.
- Reading RE will result to "logic AND" of RE and IOCE0.

**Bit 7 & Bit 6:** Not used

**Bit 5 (ADIF):** Interrupt flag for analog to digital conversion. Set when AD conversion is completed. Reset by software  
0 = no interrupt occurs  
1 = interrupt request

**Bit 4 (CMPIF):** Comparator interrupt flag. Set when a change occurs in the output of Comparator. Reset by software.  
0 = no interrupt occurs  
1 = interrupt request

**Bit 3 (ADWE):** ADC wake-up enable bit  
0 = Disable ADC wake-up  
1 = Enable ADC wake-up  
When AD Conversion enters sleep mode, this bit must be set to "Enable".

- Bit 2 (CMPWE):** Comparator wake-up enable bit  
 0 = Disable Comparator wake-up  
 1 = Enable Comparator wake-up  
 When Comparator enters sleep mode, this bit must be set to "Enable."
- Bit 1 (ICWE):** Port 5 input change to wake-up status enable bit  
 0 = Disable Port 5 input change to wake-up status  
 1 = Enable Port 5 input change to wake-up status  
 When Port 5 change enters sleep mode, this bit must be set to "Enable."
- Bit 0:** Not implemented, read as '0'

### 6.1.15 RF (Interrupt Status 2 Register)

7	6	5	4	3	2	1	0
LPWTIF	HPWTIF	TCCCIF	TCCBIF	TCCAIF	EXIF	ICIF	TCIF

**NOTE**

- "1" means interrupt request; "0" means no interrupt occurs.
- RF can be cleared by instruction but cannot be set.
- IOCF0 is the relative interrupt mask register.
- Reading RF will result to "logic AND" of RF and IOCF0.

- Bit 7 (LPWTIF):** Internal low-pulse width timer underflow interrupt flag for IR/PWM function. Reset by software.
- Bit 6 (HPWTIF):** Internal high-pulse width timer underflow interrupt flag for IR/PWM function. Reset by software.
- Bit 5 (TCCCIF):** TCCC overflow interrupt flag. Set when TCCC overflows. Reset by software.
- Bit 4 (TCCBIF):** TCCB overflow interrupt flag. Set when TCCC overflows. Reset by software.
- Bit 3 (TCCAIF):** TCCA overflow interrupt flag. Set when TCCC overflows. Reset by software.
- Bit 2 (EXIF):** External interrupt flag. Set by falling edge on /INT pin. Reset by software.
- Bit 1 (ICIF):** Port 5 input status change interrupt flag. Set when Port 5 input changes. Reset by software.
- Bit 0 (TCIF):** TCC overflow interrupt flag. Set when TCC overflows. Reset by software.

### 6.1.16 R10 ~ R3F

All of these are 8-bit general-purpose registers.



## 6.2 Special Purpose Registers

### 6.2.1 A (Accumulator)

Internal data transfer, or instruction operand holding. It **cannot** be addressed.

### 6.2.2 CONT (Control Register)

7	6	5	4	3	2	1	0
INTE	INT	TS	TE	PSTE	PST2	PST1	PST0

#### NOTE

- The CONT register is both readable and writable.
- Bit 6 is read only.

**Bit 7 (INTE):** INT signal edge

- 0 = interrupt occurs at the rising edge on the INT pin
- 1 = interrupt occurs at the falling edge on the INT pin

**Bit 6 (INT):** Interrupt enable flag

- 0 = masked by DISI or hardware interrupt
  - 1 = enabled by the ENI/RETI instructions
- This bit is readable only.

**Bit 5 (TS):** TCC signal source

- 0 = internal instruction cycle clock. P54 is bi-directional I/O pin.
- 1 = transition on the TCC pin

**Bit 4 (TE):** TCC signal edge

- 0 = increment if the transition from low to high takes place on the TCC pin
- 1 = increment if the transition from high to low takes place on the TCC pin.

**Bit 3 (PSTE):** Prescaler enable bit for TCC

- 0 = prescaler disable bit. TCC rate is 1:1.
- 1 = prescaler enable bit. TCC rate is set as Bit 2 ~ Bit 0.

Bit 2 ~ Bit 0 (PST2 ~ PST0): TCC prescaler bits

PST2	PST1	PST0	TCC Rate
0	0	0	1:2
0	0	1	1:4
0	1	0	1:8
0	1	1	1:16
1	0	0	1:32
1	0	1	1:64
1	1	0	1:128
1	1	1	1:256

**NOTE**

*Tcc timeout period [1/Fosc x prescaler x 256 (Tcc cnt) x 1 (CLK=2)]*

*Tcc timeout period [1/Fosc x prescaler x 256 (Tcc cnt) x 2 (CLK=4)]*

### 6.2.3 IOC50 ~ IOC70 (I/O Port Control Register)

- "1" puts the relative I/O pin into high impedance, while "0" defines the relative I/O pin as output.
- Only the lower 6 bits of **IOC50** can be defined (this applies to EM78P259N only as EM78P260N can use all the bits).
- Only the lower 1 bits of **IOC70** can be defined, the others bits are not available.
- **IOC50**, **IOC60**, and **IOC70** registers are all readable and writable

### 6.2.4 IOC80 (Comparator and TCCA Control Register)

7	6	5	4	3	2	1	0
–	–	CMPOUT	COS1	COS0	TCCAEN	TCCATS	TCCATE

**NOTE**

- Bits 4 ~ 0 of the **IOC80** register are both readable and writable.
- Bit5 of the **IOC80** register is readable only.

**Bit 7 & Bit 6:** Not used

**Bit 5 (CMPOUT):** The result of the comparator output  
This bit is readable only



**Bit 4 & Bit 3 (COS1 & COS0):** Comparator/OP Select bits

COS1	COS0	Function Description
0	0	Comparator and OP not used. P64, P65, and P66 act as normal I/O pin
0	1	Acts as Comparator and P64 acts as normal I/O pin
1	0	Acts as Comparator and P64 acts as Comparator output pin (CO)
1	1	Acts as OP and P64 acts as OP output pin (CO)

**Bit 2 (TCCAEN):** TCCA enable bit

0 = disable TCCA

1 = enable TCCA as a counter

**Bit 1 (TCCATS):** TCCA signal source

0 =: internal instruction cycle clock. P61 is a bi-directional I/O pin.

1 = transit through the TCCA pin

**Bit 0 (TCCATE):** TCCA signal edge

0 = increment if transition from low to high takes place on the TCCA pin

1 = increment if transition from high to low takes place on the TCCA pin

### 6.2.5 IOC90 (TCCB and TCCC Control Register)

7	6	5	4	3	2	1	0
TCCBHE	TCCBEN	TCCBTS	TCCBTE	–	TCCEN	TCCCTS	TCCCTE

**Bit 7 (TCCBHE):** Control bit is used to enable the most significant byte of counter

1 = Enable the most significant byte of TCCBH

TCCB is a 16-bit counter

0 = Disable the most significant byte of TCCBH (default value)

TCCB is an 8-bit counter

**Bit 6 (TCCBEN):** TCCB enable bit

0 = disable TCCB

1 = enable TCCB as a counter

**Bit 5 (TCCBTS):** TCCB signal source

0 = internal instruction cycle clock. P62 is a bi-directional I/O pin.

1 = transit through the TCCB pin





- Bit 4 (TCCBTE):** TCCB signal edge  
0 = increment if the transition from low to high takes place on the TCCB pin  
1 = increment if the transition from high to low takes place on the TCCB pin
- Bit 3:** Not used.
- Bit 2 (TCCEN):** TCCC enable bit  
0 = disable TCCC  
1 = enable TCCC as a counter
- Bit 1 (TCCCTS)** TCCC signal source  
0 = internal instruction cycle clock. P63 is a bi-directional I/O pin.  
1 = transit through the TCCC pin
- Bit 0 (TCCCTE):** TCCC signal edge  
0 = increment if the transition from low to high takes place on the TCCC pin  
1 = increment if the transition from high to low takes place on the TCCC pin

#### 6.2.6 IOCA0 (IR and TCCC Scale Control Register)

7	6	5	4	3	2	1	0
TCCCSE	TCCCS2	TCCCS1	TCCCS0	IRE	HF	LGP	IRROUTE

- Bit 7 (TCCCSE):** Scale enable bit for TCCC  
An 8-bit counter is provided as scale for TCCC and IR-Mode. When in IR-Mode, TCCC counter scale uses the low-time segments of the pulse generated by Fcarrier frequency modulation (see Fig. 6-11 in Section 6.8.2, *Function Description*).  
0 = scale disable bit, TCCC rate is 1:1  
1 = scale enable bit, TCCC rate is set as Bit 6 ~ Bit 4



**Bit 6 ~ Bit 4 (TCCCS2 ~ TCCCS0): TCCC scale bits**

The TCCCS2 ~ TCCCS0 bits of the IOCA0 register are used to determine the scale ratio of TCCC as shown below:

TCCCS2	TCCCS1	TCCCS0	TCCC Rate
0	0	0	1:2
0	0	1	1:4
0	1	0	1:8
0	1	1	1:16
1	0	0	1:32
1	0	1	1:64
1	1	0	1:128
1	1	1	1:256

- Bit 3 (IRE):** Infrared Remote Enable bit  
 0 = Disable IRE, i.e., disable H/W Modulator Function. IROUT pin fixed to high level and the TCCC is UP Counter.  
 1 = Enable IRE, i.e., enable H/W Modulator Function. Pin 67 defined as IROUT. If HP=1, the TCCC counter scale uses the low-time segments of the pulse generated by Fcarrier frequency modulation (see Fig. 6-11 in Section 6.8.2, *Function Description*). When HP=0, the TCCC is UP Counter.
- Bit 2 (HF):** High Frequency bit  
 0 = PWM application. IROUT waveform is achieved according to high-pulse width timer and low-pulse width timer which determine the high time width and low time width respectively  
 1 = IR application mode. The low-time segments of the pulse generated by Fcarrier frequency modulation (see Fig. 6-11 in Section 6.8.2, *Function Description*)
- Bit 1 (LGP):** Long Pulse.  
 0 = The high-time register and low-time register is valid  
 1 = The high-time register is ignored. A single pulse is generated
- Bit 0 (IROUTE):** Control bit to define the P67 (IROUT) pin function  
 0 = P67 defined as bi-directional I/O pin  
 1 = P67 defined as IROUT. Under this condition, the I/O control bit of P67 (Bit 7 of IOC60) must be set to "0"

### 6.2.7 IOCB0 (Pull-Down Control Register)

7	6	5	4	3	2	1	0
/PD57	/PD56	/PD55	/PD54	/PD53	/PD52	/PD51	/PD50

**NOTE**  
*IOCB0 register is both readable and writable*

- Bit 7 (/PD57):** Control bit is used to enable the pull-down of the P57 pin (applicable to EM78P260N only)  
 0 = Enable internal pull-down  
 1 = Disable internal pull-down
- Bit 6 (/PD56):** Control bit is used to enable the pull-down of the P56 pin (applicable to EM78P260N only)
- Bit 5 (/PD55):** Control bit is used to enable the pull-down of the P55 pin
- Bit 4 (/PD54):** Control bit is used to enable the pull-down of the P54 pin
- Bit 3 (/PD53):** Control bit is used to enable the pull-down of the P53 pin
- Bit 2 (/PD52):** Control bit is used to enable the pull-down of the P52 pin
- Bit 1 (/PD51):** Control bit is used to enable the pull-down of the P51 pin
- Bit 0 (/PD50):** Control bit is used to enable the pull-down of the P50 pin.

### 6.2.8 IOCC0 (Open-Drain Control Register)

7	6	5	4	3	2	1	0
/OD67	/OD66	/OD65	/OD64	/OD63	/OD62	/OD61	/OD60

**NOTE**  
*The IOCC0 register is both readable and writable*

- Bit 7 (/OD67):** Control bit is used to enable the open-drain of the P67 pin  
 0 = Enable open-drain output  
 1 = Disable open-drain output
- Bit 6 (/OD66):** Control bit is used to enable the open-drain of the P66 pin
- Bit 5 (/OD65):** Control bit is used to enable the open-drain of the P65 pin
- Bit 4 (/OD64):** Control bit is used to enable the open-drain of the P64 pin
- Bit 3 (/OD63):** Control bit is used to enable the open-drain of the P63 pin
- Bit 2 (/OD62):** Control bit is used to enable the open-drain of the P62 pin
- Bit 1 (/OD61):** Control bit is used to enable the open-drain of the P61 pin
- Bit 0 (/OD60):** Control bit is used to enable the open-drain of the P60 pin



### 6.2.9 IOCD0 (Pull-high Control Register)

7	6	5	4	3	2	1	0
/PH57	/PH56	/PH55	/PH54	/PH53	/PH52	/PH51	/PH50

**NOTE**  
The IOCD0 register is both readable and writable

**Bit 7 (/PH57):** Control bit is used to enable the pull-high of the P57 pin (applicable to EM78P260N only).

- 0 = Enable internal pull-high;
- 1 = Disable internal pull-high.

**Bit 6 (/PH56):** Control bit is used to enable the pull-high of the P56 pin (applicable to EM78P260N only).

**Bit 5 (/PH55):** Control bit is used to enable the pull-high of the P55 pin.

**Bit 4 (/PH54):** Control bit is used to enable the pull-high of the P54 pin.

**Bit 3 (/PH53):** Control bit is used to enable the pull-high of the P53 pin.

**Bit 2 (/PH52):** Control bit is used to enable the pull-high of the P52 pin.

**Bit 1 (/PH51):** Control bit is used to enable the pull-high of the P51 pin.

**Bit 0 (/PH50):** Control bit is used to enable the pull-high of the P50 pin.

### 6.2.10 IOCE0 (WDT Control & Interrupt Mask Registers 2)

7	6	5	4	3	2	1	0
WDTE	EIS	ADIE	CMPIE	PSWE	PSW2	PSW1	PSW0

**Bit 7 (WDTE):** Control bit is used to enable Watchdog Timer

- 0 = Disable WDT
- 1 = Enable WDT

WDTE is both readable and writable

**Bit 6 (EIS):** Control bit is used to define the function of the P60 (/INT) pin

- 0 = P60, bi-directional I/O pin
- 1 = /INT, external interrupt pin. In this case, the I/O control bit of P60 (Bit 0 of IOC60) must be set to "1"

**NOTE**

- When EIS is "0," the path of /INT is masked. When EIS is "1," the status of /INT pin can also be read by way of reading Port 6 (R6). Refer to Fig. 6-3 (I/O Port and I/O Control Register Circuit for P60(/INT)) under Section 6.4 (I/O Ports).
- EIS is both readable and writable.



**Bit 5 (ADIE):** ADIF interrupt enable bit  
0 = disable ADIF interrupt  
1 = enable ADIF interrupt

**Bit 4 (CMPIE):** CMPIF interrupt enable bit.  
0 = disable CMPIF interrupt  
1 = enable CMPIF interrupt

**Bit 3 (PSWE):** Prescaler enable bit for WDT  
0 = prescaler disable bit, WDT rate is 1:1  
1 = prescaler enable bit, WDT rate is set as Bit2 ~ Bit0

**Bit 2 ~ Bit 0 (PSW2 ~ PSW0):** WDT prescaler bits

PSW2	PSW1	PSW0	WDT Rate
0	0	0	1:2
0	0	1	1:4
0	1	0	1:8
0	1	1	1:16
1	0	0	1:32
1	0	1	1:64
1	1	0	1:128
1	1	1	1:256

### 6.2.11 IOCF0 (Interrupt Mask Register)

7	6	5	4	3	2	1	0
LPWTIE	HPWTIE	TCCIE	TCCBIE	TCCAIE	EXIE	ICIE	TCIE

#### NOTE

- The IOCF0 register is both readable and writable
- Individual interrupt is enabled by setting its associated control bit in the IOCF0 and in IOCE0 Bit 4 & 5 to "1".
- Global interrupt is enabled by the ENI instruction and is disabled by the DISI instruction. Refer to Fig. 6-7 (Interrupt Input Circuit) under Section 6.6 (Interrupt).

**Bit 7 (LPWTIE):** LPWTIF interrupt enable bit  
0 = Disable LPWTIF interrupt  
1 = Enable LPWTIF interrupt

**Bit 6 (HPWTIE):** HPWTIF interrupt enable bit  
0 = Disable HPWTIF interrupt  
1 = Enable HPWTIF interrupt



- Bit 5 (TCCCIE):** TCCCIF interrupt enable bit  
0 = Disable TCCCIF interrupt  
1 = Enable TCCCIF interrupt
- Bit 4 (TCCBIE):** TCCBIF interrupt enable bit  
0 = Disable TCCBIF interrupt  
1 = Enable TCCBIF interrupt
- Bit 3 (TCCAIE):** TCCAIF interrupt enable bit  
0 = Disable TCCAIF interrupt  
1 = Enable TCCAIF interrupt
- Bit 2 (EXIE):** EXIF interrupt enable bit  
0 = Disable EXIF interrupt  
1 = Enable EXIF interrupt
- Bit 1 (ICIE):** ICIF interrupt enable bit  
0 = Disable ICIF interrupt  
1 = Enable ICIF interrupt
- Bit 0 (TCIE):** TCIF interrupt enable bit.  
0 = Disable TCIF interrupt  
1 = Enable TCIF interrupt

### 6.2.12 IOC51 (TCCA Counter)

IOC51 (TCCA) is an 8-bit clock counter. It can be read, written, and cleared on any reset condition and is an UP Counter.

#### NOTE

- $TCCA \text{ timeout period } [1/Fosc \times (256 - TCCA \text{ cnt}) \times 1 (CLK=2)]$
- $TCCA \text{ timeout period } [1/Fosc \times (256 - TCCA \text{ cnt}) \times 2 (CLK=4)]$

### 6.2.13 IOC61 (TCCB Counter)

An 8-bit clock counter is for the least significant byte of TCCBX (TCCB). It can be read, written, and cleared on any reset condition and is an UP Counter.

### 6.2.14 IOC71 (TCCBH/MSB Counter)

An 8-bit clock counter is for the most significant byte of **TCCBX (TCCBH)**. It can be read, written, and cleared on any reset condition.

When TCCBHE (IOC90) is “0,” then TCCBH is disabled. When TCCBHE is “1,” then TCCB is a 16-bit length counter.

**NOTE**

**When TCCBH is Disabled:**

- TCCB timeout period  $[1/F_{osc} \times (256 - TCCB\ cnt) \times 1(CLK=2)]$
- TCCB timeout period  $[1/F_{osc} \times (256 - TCCB\ cnt) \times 2(CLK=4)]$

**When TCCBH is Enabled:**

- TCCB timeout period  $\{1/F_{osc} \times [65536 - (TCCBH \times 256 + TCCB\ cnt)] \times 1(CLK=2)\}$
- TCCB timeout period  $\{1/F_{osc} \times [65536 - (TCCBH \times 256 + TCCB\ cnt)] \times 2(CLK=4)\}$

### 6.2.15 IOC81 (TCCC Counter)

**IOC81 (TCCC)** is an 8-bit clock counter that can be extended to 16-bit counter. It can be read, written, and cleared on any reset condition.

If HF (Bit 2 of IOCA0) = 1 and IRE (Bit 3 of IOCA0) = 1, TCCC counter scale uses the low-time segments of the pulse generated by F<sub>carrier</sub> frequency modulation (see Fig. 6-11 in Section 6.8.2, *Function Description*). Then TCCC value will be TCCC predict value.

When HP = 0 or IRE = 0, the TCCC is an UP Counter.

**NOTE**

**Under TCCC UP Counter mode:**

- TCCC timeout period  $[1/F_{osc} \times scaler (IOCA0) \times (256-TCCC\ cnt) \times 1(CLK=2)]$
- TCCC timeout period  $[1/F_{osc} \times scaler (IOCA0) \times (256-TCCC\ cnt) \times 2(CLK=4)]$

When HP = 1 and IRE = 1, TCCC counter scale uses the low-time segments of the pulse generated by F<sub>carrier</sub> frequency modulation.

**NOTE**

**Under IR mode:**

- $F_{carrier} = FT / 2 \{ [1 + decimal\ TCCC\ Counter\ value\ (IOC81)] \times TCCC\ Scale\ (IOCA0) \}$
- FT is system clock:  $FT = F_{osc} / 1 (CLK=2)$   
 $FT = F_{osc} / 2 (CLK=4)$



### 6.2.16 IOC91 (Low-Time Register)

The 8-bit Low-time register controls the active or Low segment of the pulse. The decimal value of its contents determines the number of oscillator cycles and verifies that the IR OUT pin is active. The active period of IR OUT can be calculated as follows:

**NOTE**

- $Low\ time\ width = \{ [1 + decimal\ low\ time\ value\ (IOC91)] * Low\ time\ Scale(IOCB1) \} / FT$
- $FT\ is\ system\ clock: FT = Fosc/1\ (CLK=2)$   
 $FT = Fosc/2\ (CLK=4)$

When an interrupt is generated by the Low time down counter underflow (when enabled), the next instruction will be fetched from address 015H (Low time).

### 6.2.17 IOCA1 (High Time Register)

The 8-bit High-time register controls the inactive or High period of the pulse. The decimal value of its contents determines the number of oscillator cycles and verifies that the IR OUT pin is inactive. The inactive period of IR OUT can be calculated as follows:

**NOTE**

- $High\ time\ width = \{ [1 + decimal\ high\ time\ value\ (IOCA1)] * High\ time\ Scale(IOCB1) \} / FT$
- $FT\ is\ system\ clock: FT = Fosc/1\ (CLK=2)$   
 $FT = Fosc/2\ (CLK=4)$

When an interrupt is generated by the High time down counter underflow (when enabled), the next instruction will be fetched from address 012H (High time).

### 6.2.18 IOCB1 High/Low Time Scale Control Register

7	6	5	4	3	2	1	0
HTSE	HTS2	HTS1	HTS0	LTSE	LTS2	LTS1	LTS0

**Bit 7 (HTSE):** High-time scale enable bit.  
 0 = scale disable bit, High-time rate is 1:1  
 1 = scale enable bit, High-time rate is set as Bit 6~Bit 4.





Bit 6 ~ Bit 4 (HTS2 ~ HTS0): High-time scale bits:

HTS2	HTS1	HTS0	High-time rate
0	0	0	1:2
0	0	1	1:4
0	1	0	1:8
0	1	1	1:16
1	0	0	1:32
1	0	1	1:64
1	1	0	1:128
1	1	1	1:256

**Bit 3 (LTSE):** Low-time scale enable bit.  
 0 = scale disable bit, Low-time rate is 1:1  
 1 = scale enable bit, Low-time rate is set as Bit 2~Bit 0.

Bit 2 ~ Bit 0 (LTS2 ~ LTS0): Low-time scale bits:

LTS2	LTS1	LTS0	Low-time rate
0	0	0	1:2
0	0	1	1:4
0	1	0	1:8
0	1	1	1:16
1	0	0	1:32
1	0	1	1:64
1	1	0	1:128
1	1	1	1:256

### 6.2.19 IOCC1 (TCC Prescaler Counter)

TCC prescaler counter can be read and written:

PST2	PST1	PST0	Bit 7	Bit 6	Bit 5	Bit 4	Bit 3	Bit 2	Bit 1	Bit 0	TCC Rate
0	0	0	-	-	-	-	-	-	-	V	1:2
0	0	1	-	-	-	-	-	-	V	V	1:4
0	1	0	-	-	-	-	-	V	V	V	1:8
0	1	1	-	-	-	-	V	V	V	V	1:16
1	0	0	-	-	-	V	V	V	V	V	1:32
1	0	1	-	-	V	V	V	V	V	V	1:64
1	1	0	-	V	V	V	V	V	V	V	1:128
1	1	1	V	V	V	V	V	V	V	V	1:256

V = valid value

The TCC prescaler counter is assigned to TCC (R1).

The contents of the IOCC1 register are cleared when one of the following occurs:

- a value is written to TCC register
- a value is written to TCC prescaler bits (Bit 3,2,1,0 of CONT)
- power on reset, /RESET
- WDT time out reset



### 6.3 TCC/WDT and Prescaler

There are two 8-bit counters available as prescalers that can be extended to 16-bit counter for the TCC and WDT respectively. The PST2 ~ PST0 bits of the CONT register are used to determine the ratio of the TCC prescaler, and the PWR2 ~ PWR0 bits of the IOCE0 register are used to determine the WDT prescaler. The prescaler counter is cleared by the instructions each time such instructions are written into TCC. The WDT and prescaler will be cleared by the "WDTC" and "SLEP" instructions. Fig. 6-1 (next page) depicts the block diagram of TCC/WDT.

TCC (R1) is an 8-bit timer/counter. The TCC clock source can be internal clock or external signal input (edge selectable from the TCC pin). If TCC signal source is from internal clock, TCC will increase by 1 at every instruction cycle (without prescaler). Referring to Fig. 6-1,  $CLK=Fosc/2$  or  $CLK=Fosc/4$  is dependent to the CODE Option bit <CLKS>.  $CLK=Fosc/2$  if the CLKS bit is "0," and  $CLK=Fosc/4$  if the CLKS bit is "1." If TCC signal source is from external clock input, TCC will increase by 1 at every falling edge or rising edge of the TCC pin. TCC pin input time length (kept in High or Low level) must be greater than 1CLK.

**NOTE**

*The internal TCC will stop running when sleep mode occurs. However, during AD conversion, when TCC is set to "SLEP" instruction, if the ADWE bit of the RE register is enabled, the TCC will keep on running*

The watchdog timer is a free running on-chip RC oscillator. The WDT will keep on running even when the oscillator driver has been turned off (i.e., in sleep mode). During normal operation or sleep mode, a WDT time-out (if enabled) will cause the device to reset. The WDT can be enabled or disabled at any time during normal mode through software programming. Refer to WDTE bit of IOCE0 register (Section 6.2.10 *IOCE0 (WDT Control & Interrupt Mask Registers 2)*). With no prescaler, the WDT time-out period is approximately 18ms<sup>1</sup> or 4.5ms<sup>2</sup>.

<sup>1</sup> VDD=5V, WDT time-out period = 16.5ms ± 30%  
VDD=3V, WDT time-out period = 18ms ± 30%

<sup>2</sup> VDD=5V, WDT time-out period = 4.2ms ± 30%  
VDD=3V, WDT time-out period = 4.5ms ± 30%

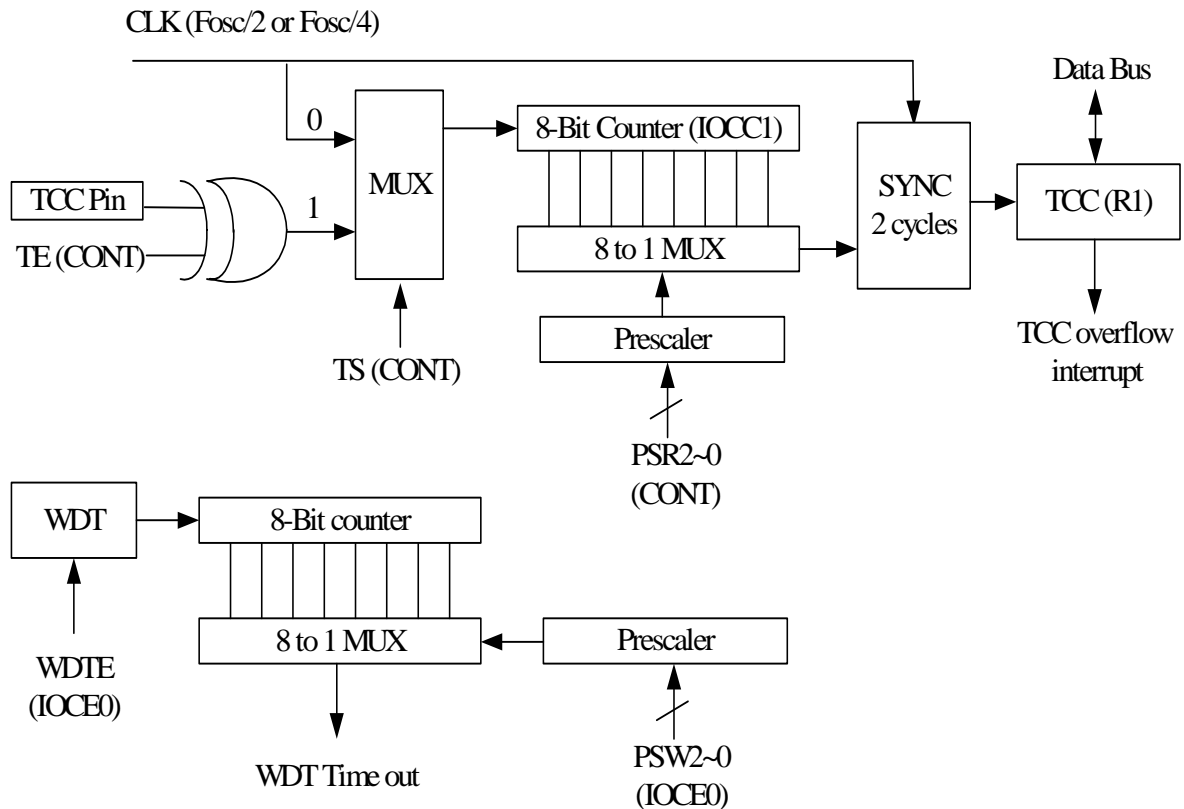
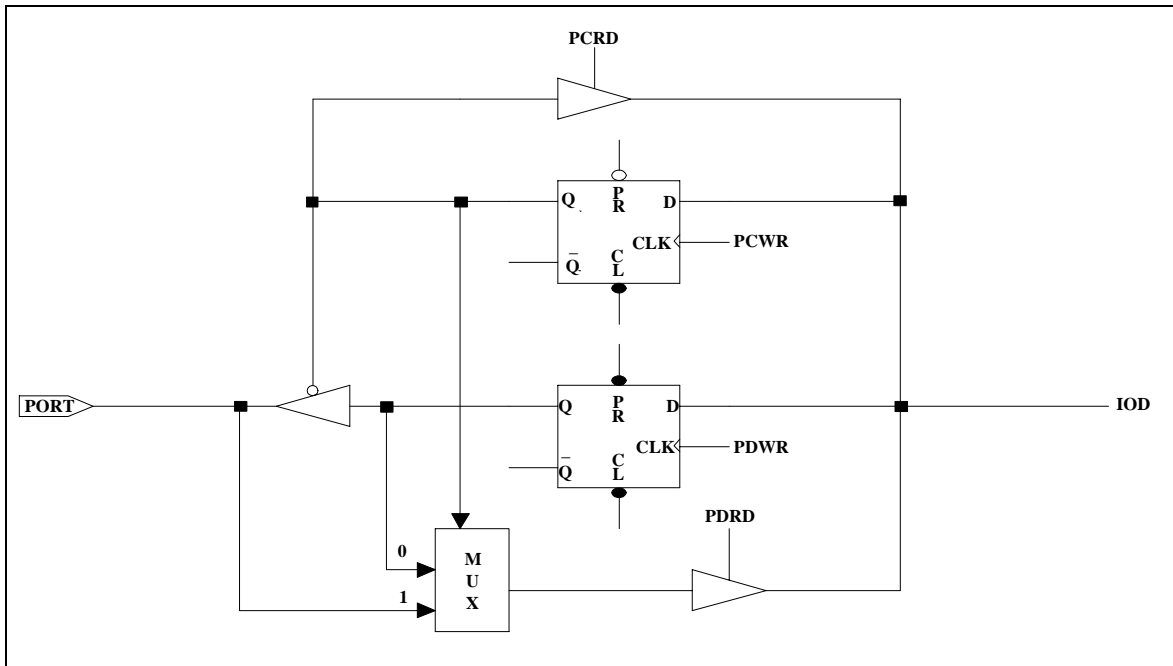


Fig. 6-1 TCC and WDT Block Diagram

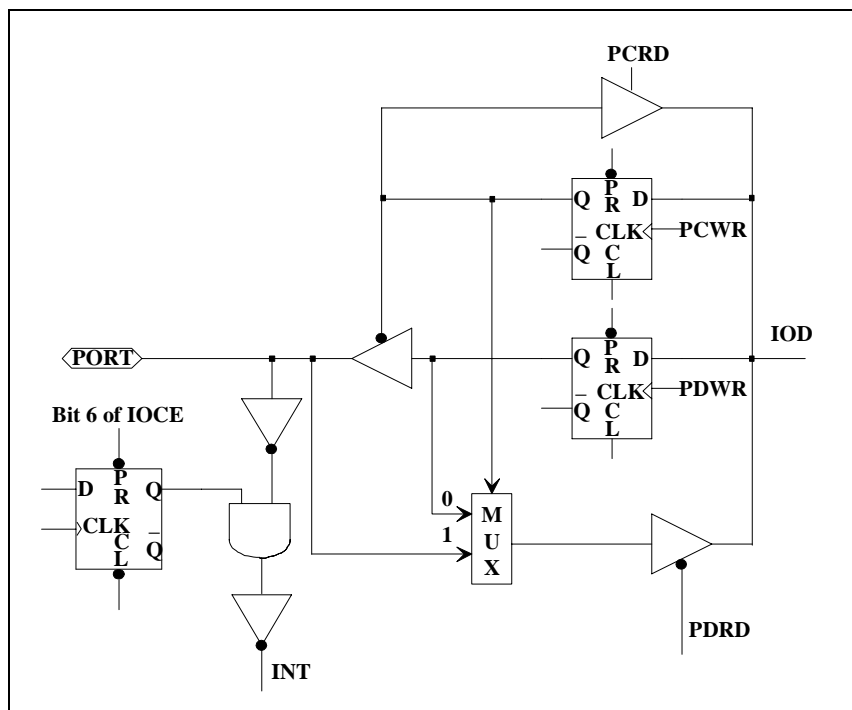
## 6.4 I/O Ports

The I/O registers (Port 5, Port 6, and Port 7) are bi-directional tri-state I/O ports. Port 5 is pulled-high and pulled-down internally by software. Likewise, P6 has its open-drain output through software. Port 5 features an input status changed interrupt (or wake-up) function. Each I/O pin can be defined as "input" or "output" pin by the I/O control register (IOC5 ~ IOC7). The I/O registers and I/O control registers are both readable and writable. The I/O interface circuits for Port 5, Port 6, and Port 7 are illustrated in Figures 6-2, 6-3, 6-4, & 6-5 (see next page).



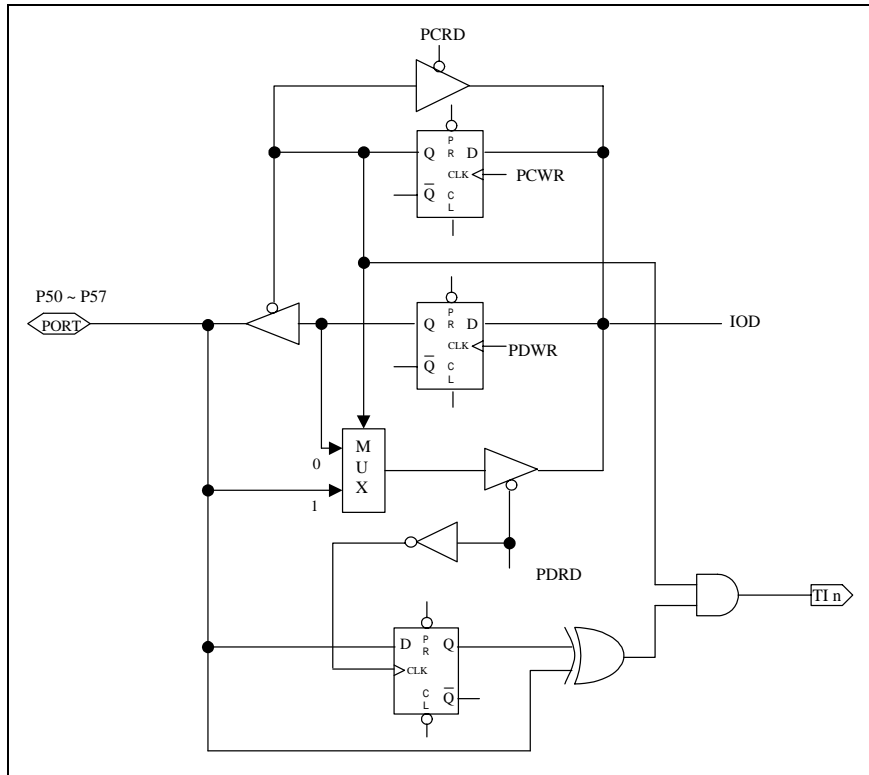
NOTE: Open-drain is not shown in the figure.

Fig. 6-2 I/O Port and I/O Control Register Circuit for Port 6 and Port7



NOTE: Open-drain is not shown in the figure.

Fig. 6-3 I/O Port and I/O Control Register Circuit for P60 (/INT)



NOTE: Pull-high (down) is not shown in the figure.

Fig. 6-4 I/O Port and I/O Control Register Circuit for Port 50 ~ P57

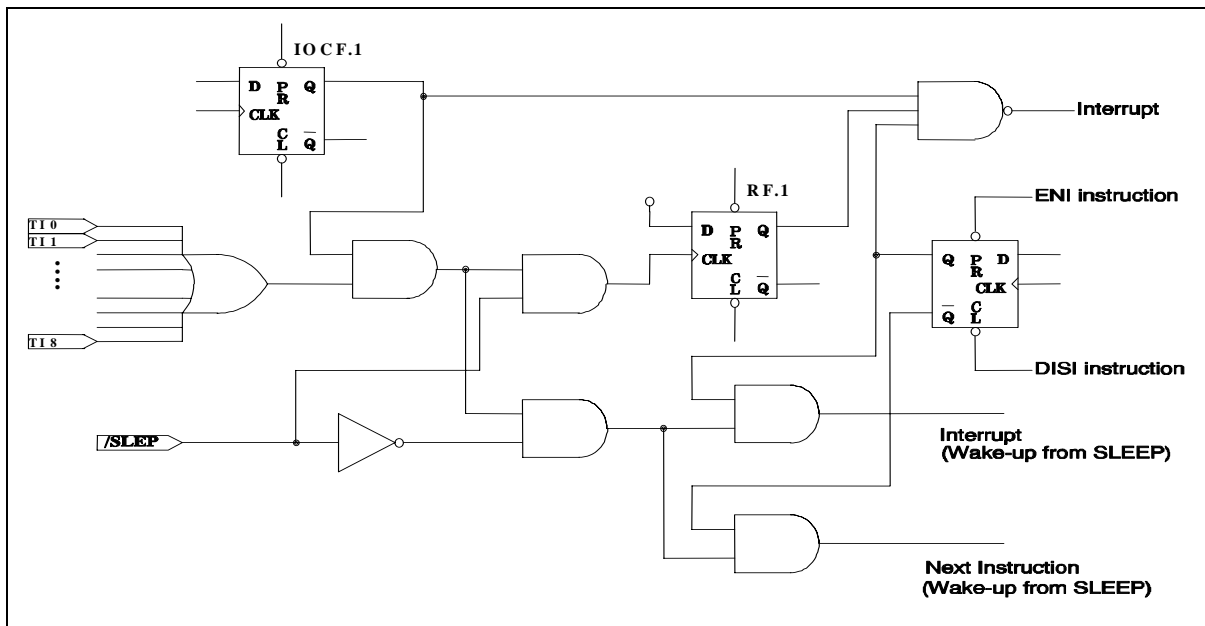


Fig. 6-5 Port 5 Block Diagram with Input Change Interrupt/Wake-up

### 6.4.1 Usage of Port 5 Input Change Wake-up/Interrupt Function

(1) Wake-up	(2) Wake-up and Interrupt
(a) Before SLEEP	(a) Before SLEEP
1. Disable WDT	1. Disable WDT
2. Read I/O Port 5 (MOV R5,R5)	2. Read I/O Port 5 (MOV R5,R5)
3. Execute "ENI" or "DISI"	3. Execute "ENI" or "DISI"
4. Enable wake-up bit (Set RE ICWE =1)	4. Enable wake-up bit (Set RE ICWE =1)
5. Execute "SLEP" instruction	5. Enable interrupt (Set IOCF0 ICIE =1)
(b) After wake-up	6. Execute "SLEP" instruction
→ Next instruction	(b) After wake-up
	1. IF "ENI" → Interrupt vector (006H)
	2. IF "DISI" → Next instruction
(3) Interrupt	
(a) Before Port 5 pin change	
1. Read I/O Port 5 (MOV R5,R5)	
2. Execute "ENI" or "DISI"	
3. Enable interrupt (Set IOCF0 ICIE =1)	
(b) After Port 5 pin changed (interrupt)	
1. IF "ENI" → Interrupt vector (006H)	
2. IF "DISI" → Next instruction	

## 6.5 RESET and Wake-up

### 6.5.1 RESET and Wake-up Operation

A RESET is initiated by one of the following events:

1. Power-on reset
2. /RESET pin input "low"
3. WDT time-out (if enabled).

The device is kept under RESET condition for a period of approximately 18ms<sup>3</sup> (except in LXT mode) after the reset is detected. When in LXT mode, the reset time is 500ms. Two choices (18ms<sup>3</sup> or 4.5ms<sup>4</sup>) are available for WDT-time out period. Once RESET occurs, the following functions are performed (the initial address is 000h):

- The oscillator continues running, or will be started (if under sleep mode)
- The Program Counter (R2) is set to all "0"

<sup>3</sup> VDD=5V, WDT Time-out period = 16.5ms ± 30%.  
VDD=3V, WDT Time-out period = 18ms ± 30%.

<sup>4</sup> VDD=5V, WDT Time-out period = 4.2ms ± 30%.  
VDD=3V, WDT Time-out period = 4.5ms ± 30%.



- All I/O port pins are configured as input mode (high-impedance state)
- The Watchdog Timer and prescaler are cleared
- When power is switched on, the upper 3 bits of R3 is cleared
- The CONT register bits are set to all "1" except for Bit 6 (INT flag)
- The IOCB0 register bits are set to all "1"
- The IOCC0 register bits are set to all "1"
- The IOCD0 register bits are set to all "1"
- Bits 7, 5, and 4 of IOCE0 register is cleared
- Bit 5 and 4 of RE register is cleared
- RF and IOCF0 registers are cleared

Executing the "SLEP" instruction will assert the sleep (power down) mode. While entering into sleep mode, the Oscillator, TCC, TCCA, TCCB, and TCCC are stopped. The WDT (if enabled) is cleared but keeps on running.

During AD conversion, when "SLEP" instruction is set; the Oscillator, TCC, TCCA, TCCB, and TCCC keep on running. The WDT (if enabled) is cleared but keeps on running.

The controller can be awakened by:

- Case 1 External reset input on /RESET pin
- Case 2 WDT time-out (if enabled)
- Case 3 Port 5 input status changes (if ICWE is enabled)
- Case 4 Comparator output status changes (if CMPWE is enabled)
- Case 5 AD conversion completed (if ADWE enable)

The first two cases (1 & 2) will cause the EM78P260N to reset. The T and P flags of R3 can be used to determine the source of the reset (wake-up). Cases 3, 4, & 5 are considered the continuation of program execution and the global interrupt ("ENI" or "DISI" being executed) decides whether or not the controller branches to the interrupt vector following wake-up. If ENI is executed before SLEP, the instruction will begin to execute from address 0x06 (Case 3), 0x0F (Case 4), and 0x0C (Case 5) after wake-up. If DISI is executed before SLEP, the execution will restart from the instruction next to SLEP after wake-up.

Only one of Cases 1 to 5 can be enabled before entering into sleep mode. That is:

- Case [a] If WDT is enabled before SLEP, all of the RE bit is disabled. Hence, the EM78P259N/260N can be awakened only with Case 1 or Case 2. Refer to the section on Interrupt (Section 6.6 below) for further details.
- Case [b] If Port 5 Input Status Change is used to wake -up EM78P259N/260N and the ICWE bit of RE register is enabled before SLEP, WDT must be disabled. Hence, the EM78P259N/260N can be awakened only with Case 3. Wake-up time is dependent on oscillator mode. Under RC mode the reset time is 32 clocks (for oscillator stables). In High XTAL mode, reset time is 2ms and 32clocks (for oscillator stables) ; and in low XTAL mode, the reset time is 500ms.



Case [c] If Comparator output status change is used to wake-up the EM78P259N/260N and CMPWE bit of the RE register is enabled before SLEP, WDT must be disabled by software. Hence, the EM78P259N/260N can be awakened only with Case 4. Wake-up time is dependent on oscillator mode. Under RC mode the reset time is 32 clocks (for oscillator stables). In High XTAL mode, reset time is 2ms and 32clocks (for oscillator stables); and in low XTAL mode, the reset time is 500ms.

Case [d] If AD conversion completed is used to wake-up the EM78P259N/260N and ADWE bit of RE register is enabled before SLEP, WDT must be disabled by software. Hence, the EM78P259N/260N can be awakened only with Case 5. The wake-up time is 15 TAD (ADC clock period).

If Port 5 Input Status Change Interrupt is used to wake up the EM78P259N/260N (as in Case [b] above), the following instructions must be executed before SLEP:

```
BC          R3, 7           ; Select Segment 0
MOV         A, @00xx1110b  ; Select WDT prescaler and Disable WDT
IOW        IOCE0
WDTC                          ; Clear WDT and prescaler
MOV         R5, R5         ; Read Port 5
ENI (or DISI)                ; Enable (or disable) global interrupt
MOV         A, @xxxxxx1xb  ; Enable Port 5 input change wake-up bit
MOV         RE
MOV         A, @xxxxxx1xb  ; Enable Port 5 input change interrupt
IOW        IOCF0
SLEP                          ; Sleep
```

Similarly, if the Comparator Interrupt is used to wake up the EM78P259N/260N (as in Case [c] above), the following instructions must be executed before SLEP:

```
BC          R3, 7           ; Select Segment 0
MOV         A, @xxx10XXXb  ; Select a comparator and P64 act as CO pin
IOW        IOC80
MOV         A, @00x11110b  ; Select WDT prescaler and Disable WDT,
                           ; and enable comparator output status
                           ; change interrupt
IOW        IOCE0
WDTC                          ; Clear WDT and prescaler
ENI (or DISI)                ; Enable (or disable) global interrupt
MOV         A, @xxx0x1xxb  ; Enable comparator output status change
                           ; wake-up bit
MOV         RE
SLEP                          ; Sleep
```



### 6.5.1.1 Wake-Up and Interrupt Modes Operation Summary

All categories under Wake-up and Interrupt modes are summarized below.

Signal	Sleep Mode	Normal Mode
INT Pin	N/A	DISI + IOCF0 (EXIE) bit2=1
		Next Instruction + Set RF (EXIF)=1
		ENI + IOCF0 (EXIE) bit2=1
		Interrupt Vector (003H) + Set RF (EXIF)=1
Port5 Input Status Change	RE (ICWE) bit1=0, IOCF0 (ICIE) bit1=0 Oscillator, TCC, TCCX and IR/PWM are stopped. Port5 input status changed wake-up is invalid.	IOCF0 (ICIE) bit1=0  Port5 input status change interrupted is invalid
	RE (ICWE) bit1=0, IOCF0 (ICIE) bit1=1 Set RF (ICIF)=1, Oscillator, TCC, TCCX and IR/PWM are stopped. Port5 input status changed wake-up is invalid.	N/A
	RE (ICWE) bit1=1, IOCF0 (ICIE) bit1=0 Wake-up + Next Instruction Oscillator, TCC, TCCX and IR/PWM are stopped.	N/A
	RE (ICWE) bit1=1, DISI + IOCF0 (ICIE) bit1=1 Wake-up + Next Instruction + Set RF (ICIF)=1 Oscillator, TCC, TCCX and IR/PWM are stopped.	DISI + IOCF0 (ICIE) bit1=1  Next Instruction + Set RF (ICIF)=1
	RE (ICWE) bit1=1, ENI + IOCF0 (ICIE) bit1=1 Wake-up + Interrupt Vector (006H) + Set RF (ICIF)=1 Oscillator, TCC, TCCX and IR/PWM are stopped.	ENI + IOCF0 (ICIE) bit1=1  Interrupt Vector(006H)+ Set RF (ICIF)=1
TCC Over Flow	N/A	DISI + IOCF0 (TCIE) bit0=1
		Next Instruction + Set RF (TCIF)=1
		ENI + IOCF0 (TCIE) bit0=1
		Interrupt Vector (009H) + Set RF (TCIF)=1
AD Conversion	RE (ADWE) bit3=0, IOCE0 (ADIE) bit5=0 Clear R9 (ADRUN)=0, ADC is stopped, AD conversion wake-up is invalid. Oscillator, TCC, TCCX and IR/PWM are stopped.	IOCE0 (ADIE) bit5=0  AD conversion interrupted is invalid
	RE (ADWE) bit3=0, IOCE0 (ADIE) bit5=1  Set RF (ADIF)=1, R9 (ADRUN)=0, ADC is stopped, AD conversion wake-up is invalid. Oscillator, TCC, TCCX and IR/PWM are stopped.	N/A
	RE (ADWE) bit3=1, IOCE0 (ADIE) bit5=0 Wake-up + Next Instruction, Oscillator, TCC, TCCX and IR/PWM keep on running. Wake-up when ADC completed.	N/A
	RE (ADWE) bit3=1, DISI + IOCE0 (ADIE) bit5=1 Wake-up + Next Instruction + RE (ADIF)=1, Oscillator, TCC, TCCX and IR/PWM keep on running. Wake-up when ADC completed.	DISI + IOCE0 (ADIE) bit5=1  Next Instruction + RE (ADIF)=1
	RE (ADWE) bit3=1, ENI + IOCE0 (ADIE) bit5=1 Wake-up + Interrupt Vector (00CH)+ RE (ADIF)=1, Oscillator, TCC, TCCX and IR/PWM keep on running. Wake-up when ADC completed.	ENI + IOCE0 (ADIE) bit5=1  Interrupt Vector (00CH) + Set RE (ADIF)=1



Comparator (Comparator Output Status Change)	RE (CMPWE) bit2=0, IOCE0 (CMPIE) bit4=0 Comparator output status changed wake-up is invalid. Oscillator, TCC, TCCX and IR/PWM are stopped.	IOCF0 (CMPIE) bit4=0  Comparator output status change interrupted is invalid.	
	RE (CMPWE) bit2=0, IOCE0 (CMPIE) bit4=1 Set RE (CMPIF)=1, Comparator output status changed wake-up is invalid. Oscillator, TCC, TCCX and IR/PWM are stopped.	N/A  N/A	
	RE (CMPWE) bit2=1, IOCE0 (CMPIE) bit4=0 Wake-up + Next Instruction, Oscillator, TCC, TCCX and IR/PWM are stopped.	N/A  N/A	
	RE (CMPWE) bit2=1, DISI + IOCE0 (CMPIE) bit4=1 Wake-up + Next Instruction + Set RE (CMPIF)=1, Oscillator, TCC, TCCX and IR/PWM are stopped.	DISI + IOCE0 (CMPIE) bit4=1  Next Instruction + Set RE (CMPIF)=1	
	RE (CMPWE) bit2=1, ENI + IOCE0 (CMPIE) bit4=1 Wake-up + Interrupt Vector (00FH) + Set RE (CMPIF)=1, Oscillator, TCC, TCCX and IR/PWM are stopped.	ENI + IOCE0 (CMPIE) bit4=1  Interrupt Vector (00FH) + Set RE (CMPIF)=1	
	IR/PWM underflow interrupt (High-pulse width timer underflow interrupt)	N/A	DISI + IOCF0 (HPWTIF) bit6=1 Next Instruction + Set RF (HPWTIE)=1
			ENI + IOCF0 (HPWTIF) bit6 =1 Interrupt Vector (012H) + Set RF (HPWTIE)=1
			DISI + IOCF0 (LPWTIF) bit7=1 Next Instruction + Set RF (LPWTIE)=1
ENI + IOCF0 (LPWTIF) bit7 =1 Interrupt Vector (015H) + Set RF (LPWTIE)=1			
IR/PWM underflow interrupt (Low-pulse width timer underflow interrupt)	N/A	DISI + IOCF0 (TCCAIE) bit3=1 Next Instruction + Set RF (TCCAIF)=1	
		ENI + IOCF0 (TCCAIE) bit3=1 Interrupt Vector (018H) + Set RF (TCCAIF)=1	
		DISI + IOCF0 (TCCBIE) bit4=1 Next Instruction + Set RF (TCCBIF)=1	
			ENI + IOCF0 (TCCBIE) bit4=1 Interrupt Vector (01BH) + Set RF (TCCBIF)=1
TCCA Over Flow	N/A	DISI + IOCF0 (TCCBIE) bit4=1 Next Instruction + Set RF (TCCBIF)=1	
		ENI + IOCF0 (TCCBIE) bit4=1 Interrupt Vector (01BH) + Set RF (TCCBIF)=1	
		DISI + IOCF0 (TCCCIE) bit5=1 Next Instruction + Set RF (TCCCIF)=1	
			ENI + IOCF0 (TCCCIE) bit5=1 Interrupt Vector (01EH) + Set RF (TCCCIF)=1
TCCB Over Flow	N/A	DISI + IOCF0 (TCCCIE) bit5=1 Next Instruction + Set RF (TCCCIF)=1	
		ENI + IOCF0 (TCCCIE) bit5=1 Interrupt Vector (01EH) + Set RF (TCCCIF)=1	
		DISI + IOCF0 (TCCIE) bit5=1 Next Instruction + Set RF (TCCIF)=1	
			ENI + IOCF0 (TCCIE) bit5=1 Interrupt Vector (01EH) + Set RF (TCCIF)=1
TCCC Over Flow	N/A	DISI + IOCF0 (TCCIE) bit5=1 Next Instruction + Set RF (TCCIF)=1	
		ENI + IOCF0 (TCCIE) bit5=1 Interrupt Vector (01EH) + Set RF (TCCIF)=1	
		DISI + IOCF0 (TCCIE) bit5=1 Next Instruction + Set RF (TCCIF)=1	
			ENI + IOCF0 (TCCIE) bit5=1 Interrupt Vector (01EH) + Set RF (TCCIF)=1
WDT Time Out IOCE (WDTE) bit7=1	Wake-up + Reset (address 0x00)	Reset (address 0x00)	



### 6.5.1.2 Register Initial Values after Reset

The following summarizes the initialized values for registers.

Address	Name	Reset Type	Bit 7	Bit 6	Bit 5	Bit 4	Bit 3	Bit 2	Bit 1	Bit 0		
N/A	IOC50	Bit Name	C57		C56		C55	C54	C53	C52	C51	C50
		Type	259 N	260 N	259 N	260 N	-	-	-	-	-	-
		Power-On	0	1	0	1	1	1	1	1	1	1
		/RESET and WDT	0	1	0	1	1	1	1	1	1	1
		Wake-Up from Pin Change	0	P	0	P	P	P	P	P	P	P
N/A	IOC60	Bit Name	C67		C66		C65	C64	C63	C62	C61	C60
		Power-On	1	1	1	1	1	1	1	1	1	1
		/RESET and WDT	1	1	1	1	1	1	1	1	1	1
		Wake-Up from Pin Change	P	P	P	P	P	P	P	P	P	P
N/A	IOC70	Bit Name	X	X	X	X	X	X	X	X	X	C70
		Power-On	0	0	0	0	0	0	0	0	0	1
		/RESET and WDT	0	0	0	0	0	0	0	0	0	1
		Wake-Up from Pin Change	P	P	P	P	P	P	P	P	P	P
N/A	IOC80	Bit Name	X	X	CMPOUT	COS1	COS0	TCCAEN	TCCATS	TCCATE		
		Power-On	0	0	0	0	0	0	0	0	0	
		/RESET and WDT	0	0	0	0	0	0	0	0	0	
		Wake-Up from Pin Change	P	P	P	P	P	P	P	P	P	
N/A	IOC90	Bit Name	TCCBHE	TCCBEN	TCCBTS	TCCBTE	X	TCCEN	TCCCTS	TCCCTE		
		Power-On	0	0	0	0	0	0	0	0		
		/RESET and WDT	0	0	0	0	0	0	0	0		
		Wake-Up from Pin Change	P	P	P	P	P	P	P	P		
N/A	IOCA0 (IR CR)	Bit Name	TCCCS0	TCCCS1	TCCCS2	TCCCS3	IRE	HF	LGP	IRROUTE		
		Power-On	0	0	0	0	0	0	0	0		
		/RESET and WDT	0	0	0	0	0	0	0	0		
		Wake-Up from Pin Change	P	P	P	P	P	P	P	P		
N/A	IOCB0 (PDCR)	Bit Name	/PD57	/PD56	/PD55	/PD54	/PD53	/PD52	/PD51	/PD50		
		Power-On	1	1	1	1	1	1	1	1		
		/RESET and WDT	1	1	1	1	1	1	1	1		
		Wake-Up from Pin Change	P	P	P	P	P	P	P	P		
N/A	IOCC0 (ODCR)	Bit Name	/OD67	/OD66	/OD65	/OD64	/OD63	/OD62	/OD61	/OD60		
		Power-On	1	1	1	1	1	1	1	1		
		/RESET and WDT	1	1	1	1	1	1	1	1		
		Wake-Up from Pin Change	P	P	P	P	P	P	P	P		



Address	Name	Reset Type	Bit 7	Bit 6	Bit 5	Bit 4	Bit 3	Bit 2	Bit 1	Bit 0
N/A	IOCD0 (PHCR)	Bit Name	/PH57	/PH56	/PH55	/PH54	/PH53	/PH52	/PH51	/PH50
		Power-On	1	1	1	1	1	1	1	1
		/RESET and WDT	1	1	1	1	1	1	1	1
		Wake-Up from Pin Change	P	P	P	P	P	P	P	P
N/A	IOCE0	Bit Name	WDTC	EIS	ADIE	CMPIE	PSWE	PSW2	PSW1	PSW0
		Power-On	0	0	0	0	0	0	0	0
		/RESET and WDT	0	0	0	0	0	0	0	0
		Wake-Up from Pin Change	P	P	P	P	P	P	P	P
N/A	IOCF0	Bit Name	LPWTIE	HPWTIE	TCCCIE	TCCBIE	TCCAIE	EXIE	ICIE	TCIE
		Power-On	0	0	0	0	0	0	0	0
		/RESET and WDT	0	0	0	0	0	0	0	0
		Wake-Up from Pin Change	P	P	P	P	P	P	P	P
N/A	IOC51 (TCCA)	Bit Name	TCCA7	TCCA6	TCCA5	TCCA4	TCCA3	TCCA2	TCCA1	TCCA0
		Power-On	0	0	0	0	0	0	0	0
		/RESET and WDT	0	0	0	0	0	0	0	0
		Wake-Up from Pin Change	P	P	P	P	P	P	P	P
N/A	IOC61 (TCCB)	Bit Name	TCCB7	TCCB6	TCCB5	TCCB4	TCCB3	TCCB2	TCCB1	TCCB0
		Power-On	0	0	0	0	0	0	0	0
		/RESET and WDT	0	0	0	0	0	0	0	0
		Wake-Up from Pin Change	P	P	P	P	P	P	P	P
N/A	IOC71 (TCCBH)	Bit Name	TCCBH7	TCCBH6	TCCBH5	TCCBH4	TCCBH3	TCCBH2	TCCBH1	TCCBH0
		Power-On	0	0	0	0	0	0	0	0
		/RESET and WDT	0	0	0	0	0	0	0	0
		Wake-Up from Pin Change	P	P	P	P	P	P	P	P
N/A	IOC81 (TCCC)	Bit Name	TCCC7	TCCC6	TCCC5	TCCC4	TCCC3	TCCC2	TCCC1	TCCC0
		Power-On	0	0	0	0	0	0	0	0
		/RESET and WDT	0	0	0	0	0	0	0	0
		Wake-Up from Pin Change	P	P	P	P	P	P	P	P
N/A	IOC91 (LTR)	Bit Name	LTR7	LTR6	LTR5	LTR4	LTR3	LTR2	LTR1	LTR0
		Power-On	0	0	0	0	0	0	0	0
		/RESET and WDT	0	0	0	0	0	0	0	0
		Wake-Up from Pin Change	P	P	P	P	P	P	P	P



Address	Name	Reset Type	Bit 7	Bit 6	Bit 5	Bit 4	Bit 3	Bit 2	Bit 1	Bit 0
N/A	IOCA1 (HTR)	Bit Name	HTR7	HTR6	HTR5	HTR4	HTR3	HTR2	HTR1	HTR0
		Power-On	0	0	0	0	0	0	0	0
		/RESET and WDT	0	0	0	0	0	0	0	0
		Wake-Up from Pin Change	P	P	P	P	P	P	P	P
N/A	IOCB1 (HLTS)	Bit Name	HTSE	HTS2	HTS1	HTS0	LTSE	LTS2	LTS1	LTS0
		Power-On	0	0	0	0	0	0	0	0
		/RESET and WDT	0	0	0	0	0	0	0	0
		Wake-Up from Pin Change	P	P	P	P	P	P	P	P
N/A	IOCC1 (TCCPC)	Bit Name	TCCPC7	TCCPC6	TCCPC5	TCCPC4	TCCPC3	TCCPC2	TCCPC1	TCCPC0
		Power-On	0	0	0	0	0	0	0	0
		/RESET and WDT	0	0	0	0	0	0	0	0
		Wake-Up from Pin Change	P	P	P	P	P	P	P	P
N/A	CONT	Bit Name	INTE	INT	TS	TE	PSTE	PST2	PST1	PST0
		Power-On	1	0	1	1	0	0	0	0
		/RESET and WDT	1	0	1	1	0	0	0	0
		Wake-Up from Pin Change	P	P	P	P	P	P	P	P
0x00	R0(IAR)	Bit Name	–	–	–	–	–	–	–	–
		Power-On	U	U	U	U	U	U	U	U
		/RESET and WDT	P	P	P	P	P	P	P	P
		Wake-Up from Pin Change	P	P	P	P	P	P	P	P
0x01	R1(TCC)	Bit Name	–	–	–	–	–	–	–	–
		Power-On	0	0	0	0	0	0	0	0
		/RESET and WDT	0	0	0	0	0	0	00	0
		Wake-Up from Pin Change	P	P	P	P	P	P	P	P
0x02	R2(PC)	Bit Name	–	–	–	–	–	–	–	–
		Power-On	0	0	0	0	0	0	0	0
		/RESET and WDT	0	0	0	0	0	0	0	0
		Wake-Up from Pin Change	Jump to address 0x06 or continue to execute next instruction							
0x03	R3(SR)	Bit Name	RST	IOCS	PS0	T	P	Z	DC	C
		Power-On	0	0	0	1	1	U	U	U
		/RESET and WDT	0	0	0	T	t	P	P	P
		Wake-Up from Pin Change	P	P	P	T	t	P	P	P



Address	Name	Reset Type	Bit 7	Bit 6	Bit 5	Bit 4	Bit 3	Bit 2	Bit 1	Bit 0
0x04	R4(RSR)	Bit Name	X	BS	X	X	X	X	X	X
		Power-On	0	0	U	U	U	U	U	U
		/RESET and WDT	0	0	P	P	P	P	P	P
		Wake-Up from Pin Change	0	P	P	P	P	P	P	P
0x05	R5	Bit Name	P57	P56	P55	P54	P53	P52	P51	P50
		Power-On	1	1	1	1	1	1	1	1
		/RESET and WDT	1	1	1	1	1	1	1	1
		Wake-Up from Pin Change	P	P	P	P	P	P	P	P
0x06	R6	Bit Name	P67	P66	P65	P64	P63	P62	P61	P60
		Power-On	1	1	1	1	1	1	1	1
		/RESET and WDT	1	1	1	1	1	1	1	1
		Wake-Up from Pin Change	P	P	P	P	P	P	P	P
0x07	R7	Bit Name	–	–	–	–	–	–	–	P70
		Power-On	0	0	0	0	0	0	0	1
		/RESET and WDT	0	0	0	0	0	0	0	1
		Wake-Up from Pin Change	P	P	P	P	P	P	P	P
0x08	R8 (AISR)	Bit Name	–	–	–	–	ADE3	ADE2	ADE1	ADE0
		Power-On	0	0	0	0	0	0	0	0
		/RESET and WDT	0	0	0	0	0	0	0	0
		Wake-Up from Pin Change	0	0	0	0	P	P	P	P
0x09	R9 (ADCON)	Bit Name	VREFS	CKR1	CKR0	ADRUN	ADPD	–	ADIS1	ADIS0
		Power-On	0	0	0	0	0	0	0	0
		/RESET and WDT	0	0	0	0	0	0	0	0
		Wake-Up from Pin Change	P	P	P	P	P	0	P	P
0xA	RA (ADOC)	Bit Name	CALI	SIGN	VOF[2]	VOF[1]	VOF[0]	–	–	–
		Power-On	0	0	0	0	0	0	0	0
		/RESET and WDT	0	0	0	0	0	0	0	0
		Wake-Up from Pin Change	P	P	P	P	P	P	P	P
0xB	RB (ADDATA)	Bit Name	AD11	AD10	AD9	AD8	AD7	AD6	AD5	AD4
		Power-On	U	U	U	U	U	U	U	U
		/RESET and WDT	U	U	U	U	U	U	U	U
		Wake-Up from Pin Change	P	P	P	P	P	P	P	P

Address	Name	Reset Type	Bit 7	Bit 6	Bit 5	Bit 4	Bit 3	Bit 2	Bit 1	Bit 0
0XC	RC (ADDATA1H)	Bit Name	"0"	"0"	"0"	"0"	AD11	AD10	AD9	AD8
		Power-On	0	0	0	0	U	U	U	U
		/RESET and WDT	0	0	0	0	U	U	U	U
		Wake-Up from Pin Change	0	0	0	0	P	P	P	P
0XD	RD (ADDATA1L0)	Bit Name	AD7	AD6	AD5	AD4	AD3	AD2	AD1	AD0
		Power-On	U	U	U	U	U	U	U	U
		/RESET and WDT	U	U	U	U	U	U	U	U
		Wake-Up from Pin Change	P	P	P	P	P	P	P	P
0xE	RE (ISR2)	Bit Name	—	—	ADIF	CMPIF	ADWE	CMPWE	ICWE	—
		Power-On	0	0	0	0	0	0	0	0
		/RESET and WDT	0	0	0	0	0	0	0	0
		Wake-Up from Pin Change	P	P	P	P	P	P	P	P
0xF	RF (ISR1)	Bit Name	LPWTIF	HPWTIF	TCCCIF	TCCBIF	TCCAIF	EXIF	ICIF	TCIF
		Power-On	0	0	0	0	0	0	0	0
		/RESET and WDT	0	0	0	0	0	0	0	0
		Wake-Up from Pin Change	P	P	P	P	P	P	P	P
0x10~0x3F	R10~R3F	Bit Name	—	—	—	—	—	—	—	—
		Power-On	U	U	U	U	U	U	U	U
		/RESET and WDT	P	P	P	P	P	P	P	P
		Wake-Up from Pin Change	P	P	P	P	P	P	P	P

Legend: **X**: not used      **U**: unknown or don't care.  
**P**: previous value before reset      **t**: check table under Section 6.5.2

### 6.5.1.3 Controller Reset Block Diagram

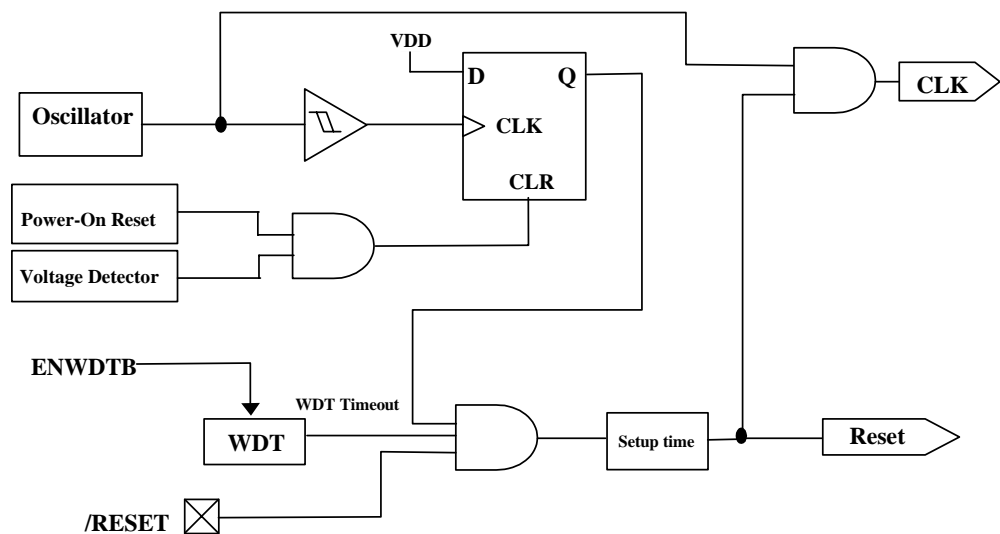


Fig. 6-6 Controller Reset Block Diagram



### 6.5.2 The T and P Status under STATUS (R3) Register

A RESET condition is initiated by one of the following events:

1. Power-on reset
2. /RESET pin input "low"
3. WDT time-out (if enabled).

The values of RST, T, and P as listed in the table below, are used to check how the processor wakes up.

Reset Type	RST	T	P
Power-on	0	1	1
/RESET during Operating mode	0	*P	*P
/RESET wake-up during SLEEP mode	0	1	0
WDT during Operating mode	0	0	1
WDT wake-up during SLEEP mode	0	0	0
Wake-up on pin change during SLEEP mode	1	1	0

\*P: Previous status before reset

The following shows the events that may affect the status of T and P.

Event	RST	T	P
Power-on	0	1	1
WDTC instruction	*P	1	1
WDT time-out	0	0	*P
SLEP instruction	*P	1	0
Wake-up on pin changed during SLEEP mode	1	1	0

\*P: Previous value before reset

## 6.6 Interrupt

The EM78P259N/260N has six interrupts as listed below:

1. TCC, TCCA, TCCB, TCCC overflow interrupt
2. Port 5 Input Status Change Interrupt
3. External interrupt [(P60, /INT) pin]
4. Analog to Digital conversion completed
5. IR/PWM underflow interrupt
6. When the comparators status changes

Before the Port 5 Input Status Change Interrupt is enabled, reading Port 5 (e.g. "MOV R5,R5") is necessary. Each Port 5 pin will have this feature if its status changes. The Port 5 Input Status Change Interrupt will wake-up the EM78P259N/260N from the sleep mode if it is enabled prior to going into the sleep mode by executing SLEP instruction. When wake-up occurs, the controller will continue to execute program in-line if the global interrupt is disabled. If enabled, the global interrupt will branch out to the interrupt vector 006H.





External interrupt equipped with digital noise rejection circuit (input pulse less than 8 system clocks time) is eliminated as noise. However, under Low XTAL oscillator (LXT) mode the noise rejection circuit will be disabled. Edge selection is possible with INTE of CONT. When an interrupt is generated by the External interrupt (when enabled), the next instruction will be fetched from address 003H. Refer to the Word 1 Bits 9 & 8 (Section 6.14.2, *Code Option Register (Word1)*) for digital noise rejection definition

RF and RE are the interrupt status register that records the interrupt requests in the relative flags/bits. IOCF0 and IOCE0 are interrupt mask registers. The global interrupt is enabled by the ENI instruction and is disabled by the DISI instruction. Once in the interrupt service routine, the source of an interrupt can be determined by polling the flag bits in RF. The interrupt flag bit must be cleared by instructions before leaving the interrupt service routine to avoid recursive interrupts.

The flag (except for the ICIF bit) in the Interrupt Status Register (RF) is set regardless of the ENI execution. Note that the result of RF will be the logic AND of RF and IOCF0 (refer to figure below). The RETI instruction ends the interrupt routine and enables the global interrupt (the ENI execution).

When an interrupt is generated by the Timer clock/counter (when enabled), the next instruction will be fetched from Address 009, 018, 01B, and 01EH (TCC, TCCA, TCCB, and TCCC respectively).

When an interrupt generated by the AD conversion is completed (when enabled), the next instruction will be fetched from Address 00CH.

When an interrupt is generated by the High time / Low time down counter underflow (when enabled), the next instruction will be fetched from Address 012 and 015H (High time and Low time respectively).

When an interrupt is generated by the Comparators (when enabled), the next instruction will be fetched from Address) 00FH (Comparator interrupt).

Before the interrupt subroutine is executed, the contents of ACC and the R3 and R4 registers will be saved by the hardware. If another interrupt occurs, the ACC, R3, and R4 will be replaced by the new interrupt. After the interrupt service routine is completed, the ACC, R3, and R4 registers are restored.

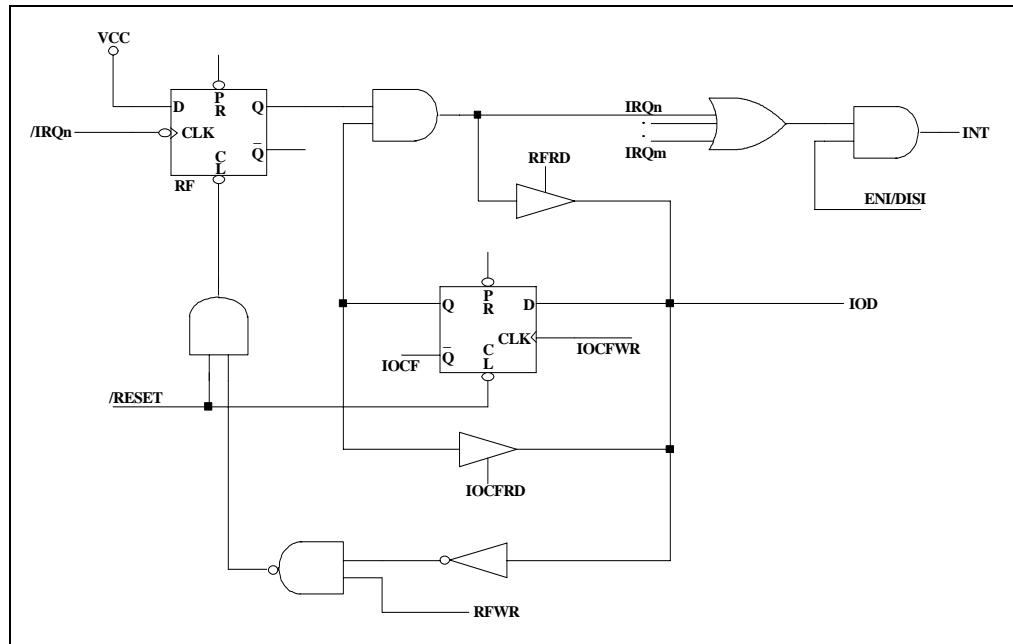


Fig. 6.7 Interrupt Input Circuit

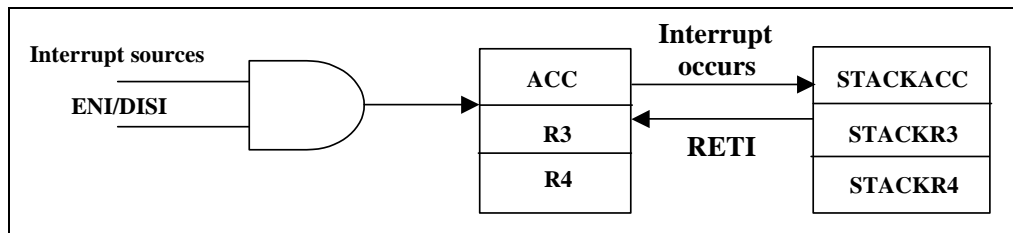


Fig. 6.8 Interrupt Backup Diagram

In EM78P259N/260N, each individual interrupt source has its own interrupt vector as depicted in the table below.

Interrupt Vector	Interrupt Status	Priority*
003H	External interrupt	1
006H	Port 5 pin change	2
009H	TCC overflow interrupt	3
00CH	AD conversion complete interrupt	4
00FH	Comparator interrupt	5
012H	High-pulse width timer underflow interrupt	6
015H	Low-pulse width timer underflow interrupt	7
018H	TCCA overflow interrupt	8
01BH	TCCB overflow interrupt	9
01EH	TCCC overflow interrupt	10

\*Priority: 1 = highest ; 10 = lowest priority

## 6.7 Analog-To-Digital Converter (ADC)

The analog-to-digital circuitry consist of a 4-bit analog multiplexer; three control registers (AISR/R8, ADCON/R9, & ADOC/RA), three data registers (ADDATA/RB, ADDATA1H/RC, & ADDATA1L/RD), and an ADC with 12-bit resolution as shown in the functional block diagram below. The analog reference voltage (Vref) and the analog ground are connected via separate input pins.

The ADC module utilizes successive approximation to convert the unknown analog signal into a digital value. The result is fed to the ADDATA, ADDATA1H, and ADDATA1L. Input channels are selected by the analog input multiplexer via the ADCON register Bits ADIS1 and ADIS0.

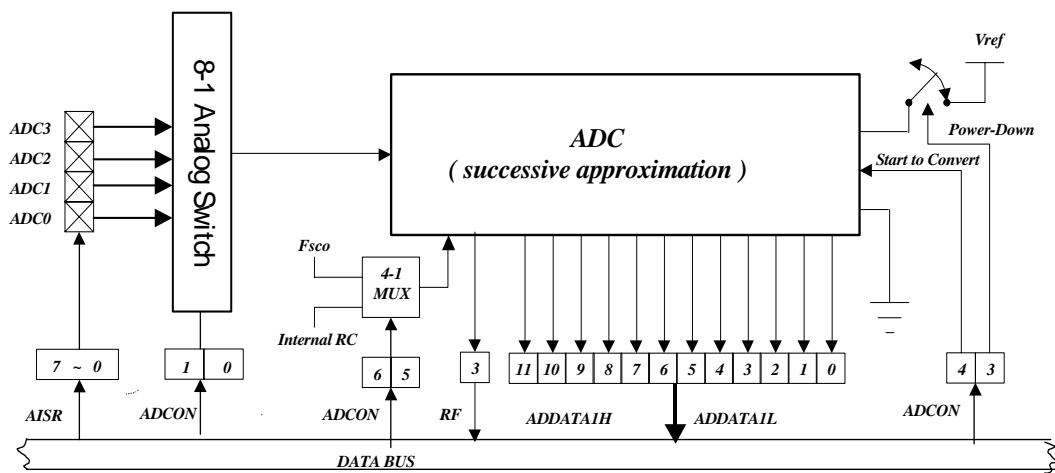


Fig. 6-9 Analog-to-Digital Conversion Functional Block Diagram

### 6.7.1 ADC Control Register (AISR/R8, ADCON/R9, ADOC/RA)

#### 6.7.1.1 R8 (AISR: ADC Input Select Register)

7	6	5	4	3	2	1	0
–	–	–	–	ADE3	ADE2	ADE1	ADE0

AISR register defines the Port 5 pins as analog inputs or as digital I/O, individually.

**Bit 7 ~ 4:** Not used

**Bit 3 (ADE3):** AD converter enable bit of P53 pin  
0 = Disable ADC3, P53 acts as I/O pin  
1 = Enable ADC3 acts as analog input pin

**Bit 2 (ADE2):** AD converter enable bit of P52 pin  
0 = Disable ADC2, P53 acts as I/O pin  
1 = Enable ADC2 acts as analog input pin



**Bit 1 (ADE1):** AD converter enable bit of P51 pin  
 0 = Disable ADC1, P51 acts as I/O pin  
 1 = Enable ADC1 acts as analog input pin

**Bit 0 (ADE0):** AD converter enable bit of P50 pin  
 0 = Disable ADC0, P50 acts as I/O pin  
 1 = Enable ADC0 acts as analog input pin

**6.7.1.2 R9 (ADCON: AD Control Register)**

7	6	5	4	3	2	1	0
VREFS	CKR1	CKR0	ADRUN	ADPD	-	ADIS1	ADIS0

**ADCON** register controls the operation of the AD conversion and decides which pin should be currently active.

**Bit 7(VREFS):** The input source of the ADC Vref  
 0 = The ADC Vref is connected to Vdd (default value), and the P54/VREF pin carries out the P54 function  
 1 = The ADC Vref is connected to P54/VREF

**NOTE**

*The P54/TCC/VREF pin cannot be applied to TCC and VREF at the same time. IF P54/TCC/VREF acts as VREF analog input pin, then CONT Bit 5 (TS) must be "0".  
 The P54/TCC/VREF pin priority is as follows:*

P54/TCC/VREF Pin Priority		
High	Medium	Low
VREF	TCC	P54

**Bit 6 ~ Bit 5 (CKR1 ~ CKR0):** The ADC prescaler oscillator clock rate  
 00 = 1: 4 (default value)  
 01 = 1: 16  
 10 = 1: 64  
 11 = 1: WDT ring oscillator frequency

CKR0:CKR1	Operation Mode	Max. Operation Frequency
00	F <sub>sco</sub> /4	1 MHz
01	F <sub>sco</sub> /16	4 MHz
10	F <sub>sco</sub> /64	16MHz
11	Internal RC	-

- Bit 4 (ADRUN):** ADC starts to RUN.  
 1 = an AD conversion is started. This bit can be set by software.  
 0 = reset on completion of the conversion. This bit cannot be reset though software.
- Bit 3 (ADPD):** ADC Power-down mode.  
 1 = ADC is operating  
 0 = switch off the resistor reference to save power even while the CPU is operating.
- Bit 2:** Not used
- Bit 1 ~ Bit 0 (ADIS1 ~ ADIS0):** Analog Input Select  
 00 = ADIN0/P50  
 01 = ADIN1/P51  
 10 = ADIN2/P52  
 11 = ADIN3/P53
- These bits can only be changed when the ADIF bit and the ADRUN bit are both LOW.

**6.7.1.3 RA (ADOC: AD Offset Calibration Register)**

7	6	5	4	3	2	1	0
CALI	SIGN	VOF[2]	VOF[1]	VOF[0]	–	–	–

**Bit 7 (CALI):** Calibration enable bit for ADC offset  
 0 = Calibration disable  
 1 = Calibration enable

**Bit 6 (SIGN):** Polarity bit of offset voltage  
 0 = Negative voltage  
 1 = Positive voltage

**Bit 5 ~ Bit 3 (VOF[2] ~ VOF[0]):** Offset voltage bits.

VOF[2]	VOF[1]	VOF[0]	EM78P259N/260N	ICE259N
0	0	0	0LSB	0LSB
0	0	1	2LSB	1LSB
0	1	0	4LSB	2LSB
0	1	1	6LSB	3LSB
1	0	0	8LSB	4LSB
1	0	1	10LSB	5LSB
1	1	0	12LSB	6LSB
1	1	1	14LSB	7LSB

**Bit 2 ~ Bit 0:** Unimplemented, read as '0'.



### 6.7.2 ADC Data Register (ADDATA/RB, ADDATA1H/RC, ADDATA1L/RD)

When the AD conversion is completed, the result is loaded to the ADDATA, ADDATA1H and ADDATA1L registers. The ADRUN bit is cleared, and the ADIF is set.

### 6.7.3 ADC Sampling Time

The accuracy, linearity, and speed of the successive approximation of AD converter are dependent on the properties of the ADC and the comparator. The source impedance and the internal sampling impedance directly affect the time required to charge the sample holding capacitor. The application program controls the length of the sample time to meet the specified accuracy. Generally speaking, the program should wait for 2 $\mu$ s for each K $\Omega$  of the analog source impedance and at least 2 $\mu$ s for the low-impedance source. The maximum recommended impedance for analog source is 10K $\Omega$  at Vdd=5V. After the analog input channel is selected, this acquisition time must be done before the conversion is started.

### 6.7.4 AD Conversion Time

CKR0 and CKR1 select the conversion time (Tct), in terms of instruction cycles. This allows the MCU to run at a maximum frequency without sacrificing the AD conversion accuracy. For the EM78P259N/260N, the conversion time per bit is about 4 $\mu$ s. The table below shows the relationship between Tct and the maximum operating frequencies.

CKR0:CKR1	Operation Mode	Max. Operation Frequency	Max. Conversion Rate/Bit	Max. Conversion Rate
00	Fsco/4	1 MHz	250kHz (4us)	15*4us=60us(16.7kHz)
01	Fsco/16	4MHz	250kHz (4us)	15*4us=60us(16.7kHz)
10	Fsco/64	16MHz	250kHz( 4us)	15*4us=60us(16.7kHz)
11	Internal RC	–	14Kkz (71us)	15*71us=1065us(0.938kHz)

#### NOTE

- Pin not used as an analog input pin can be used as a regular input or output pin.
- During conversion, do not perform output instruction to maintain precision for all of the pins.

### 6.7.5 ADC Operation during Sleep Mode

In order to obtain a more accurate ADC value and reduce power consumption, the AD conversion remains operational during sleep mode. As the SLEP instruction is executed, all the MCU operations will stop except for the Oscillator, TCC, TCCA, TCCB, TCCC and AD conversion.

The AD Conversion is considered completed as determined by:

1. ADRUN bit of R9 register is cleared (“0” value).
2. ADIF bit of RE register is set to “1”.



3. ADWE bit of the RE register is set to “1.” Wake-up from ADC conversion (where it remains in operation during sleep mode).
4. Wake-up and executes the next instruction if ADIE bit of IOCE0 is enabled and the “DISI” instruction is executed.
5. Wake-up and enters into Interrupt vector (address 0x00C) if ADIE bit of IOCE0 is enabled and the “ENI” instruction is executed.
6. Enters into Interrupt vector (address 0x00C) if ADIE bit of IOCE0 is enabled and the “ENI” instruction is executed.

The results are fed into the ADDATA, ADDATA1H, and ADDATA1L registers when the conversion is completed. If the ADIE is enabled, the device will wake up. Otherwise, the AD conversion will be shut off, no matter what the status of ADPD bit is.

### **6.7.6 Programming Process/Considerations**

#### **6.7.6.1 Programming Process**

Follow these steps to obtain data from the ADC:

1. Write to the four bits (ADE3:ADE0) on the R8 (AISR) register to define the characteristics of R5 (digital I/O, analog channels, or voltage reference pin)
2. Write to the R9/ADCON register to configure the AD module:
  - a) Select the ADC input channel (ADIS1:ADIS0)
  - b) Define the AD conversion clock rate (CKR1:CKR0)
  - c) Select the VREFS input source of the ADC
  - d) Set the ADPD bit to 1 to begin sampling
3. Set the ADWE bit, if the wake-up function is employed
4. Set the ADIE bit, if the interrupt function is employed
5. Write “ENI” instruction, if the interrupt function is employed
6. Set the ADRUN bit to 1
7. Write “SLEP” instruction or Polling.
8. Wait for wake-up, ADRUN bit is cleared (“0” value), interrupt flag (ADIF) to be set “1,” or the ADC interrupt to occur.
9. Read the ADDATA or ADDATA1H and ADDATA1L conversion data registers. If the ADC input channel changes at this time, the ADDATA, ADDATA1H, and ADDATA1L values can be cleared to ‘0’.
10. Clear the interrupt flag bit (ADIF)



11. For the next conversion, go to Step 1 or Step 2 as required. At least 2 Tct is required before the next acquisition starts.

**NOTE**

*In order to obtain accurate values, it is necessary to avoid any data transition on the I/O pins during AD conversion.*

### 6.7.6.2 Sample Demo Programs

#### A. Define a General Register

```
R_0 == 0          ; Indirect addressing register
PSW == 3          ; Status register
PORT5 == 5
PORT6 == 6
R_E == 0XE        ; Interrupt status register
```

#### B. Define a Control Register

```
IOC50 == 0X5      ; Control Register of Port 5
IOC60 == 0X6      ; Control Register of Port 6
C_INT == 0XF      ; Interrupt Control Register
```

#### C. ADC Control Register

```
ADDATA == 0xB     ; The contents are the results of ADC
AISR == 0x08      ; ADC input select register
ADCON == 0x9      ; 7   6   5   4   3   2   1   0
                   ; VREFS CKR1 CKR0 ADRUN ADPD ADIS2 ADIS1 ADIS0
```

#### D. Define Bits in ADCON

```
ADRUN == 0x4      ; ADC is executed as the bit is set
ADPD == 0x3       ; Power Mode of ADC
```

#### E. Program Starts

```
ORG 0              ; Initial address
JMP INITIAL        ;

ORG 0x0C           ; Interrupt vector
JMP CLRRE
;
;
; (User program section)
;
CLRRE:
MOV A, RE
AND A, @0BXX0XXXXX ; To clear the ADIF bit, "X" by application
MOV RE, A
BS ADCON, ADRUN    ; To start to execute the next AD conversion
                   ; if necessary

RETI
INITIAL:
```





```
MOV A,@0B00000001 ; To define P50 as an analog input
MOV AISR,A
MOV A,@0B00001000 ; To select P50 as an analog input channel, and
AD power on
MOV ADCON,A ; To define P50 as an input pin and set clock
rate at fosc/16

En_ADC:
MOV A, @0BXXXXXXXX1 ; To define P50 as an input pin, and the others
IOW PORT5 ; are dependent on applications
MOV A, @0BXXXXX1XXX ; Enable the ADWE wake-up function of ADC, "X"
by application

MOV RE,A
MOV A, @0BXXXXX1XXX ; Enable the ADIE interrupt function of ADC,
"X" by application

IOW C_INT
ENI ; Enable the interrupt function

BS ADCON, ADRUN ; Start to run the ADC

; If the interrupt function is employed, the following three lines
may be ignored

;If Sleep:
SLEP
;
;(User program section)
;

or
;If Polling:
POLLING:
JBC ADCON, ADRUN ; To check the ADRUN bit continuously;
JMP POLLING ; ADRUN bit will be reset as the AD conversion
is completed

;
;(User program section)
;
```

## 6.8 Infrared Remote Control Application/PWM Waveform Generation

### 6.8.1 Overview

This LSI can easily output infrared carrier or PWM standard waveform. As illustrated below, the IR and PWM waveform generation function include an 8-bit down count timer/counter, high-time, low-time, and IR control register. The IROUT pin waveform is determined by IOCA0 (IR and TCCC scale control register), IOCB1 (high-time rate, low-time rate control register), IOC81 (TCCC counter), IOCA1 (high-time register), and IOC91 (low-time register).

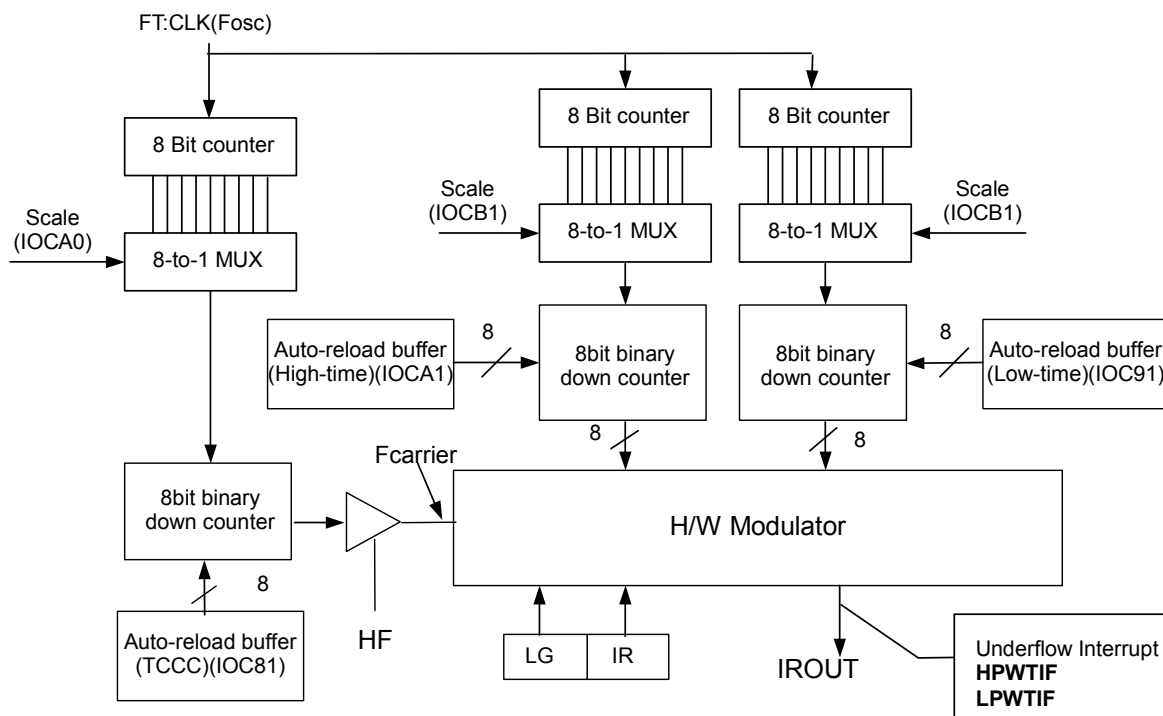


Fig. 6-10 IR/PWM System Block Diagram

#### NOTE

Details of the  $F_{carrier}$  high time width and low time width are explained below:

$$F_{carrier} = \frac{FT}{2} \{ [1 + \text{decimal TCCC Counter value (IOC81)}] * \text{TCCC Scale(IOCA0)} \}$$

$$\text{High time width} = \frac{\{ [1 + \text{decimal high-time value (IOCA1)}] * \text{High time Scale(IOCB1)} \}}{FT}$$

$$\text{Low time width} = \frac{\{ [1 + \text{decimal low-time value (IOC91)}] * \text{Low time Scale(IOCB1)} \}}{FT}$$

Where  $FT$  is the system clock  $FT = F_{osc}/1 (CLK=2)$

$FT = F_{osc}/2 (CLK=4)$

When an interrupt is generated by the High time down counter underflow (when enabled), the next instruction will be fetched from address 018 and 01BH (High time and Low time respectively).

### 6.8.2 Function Description

The following figure shows **LGP=0** and **HF=1**. The IROUT waveform modulates the Fcarrier waveform at low-time segments of the pulse.

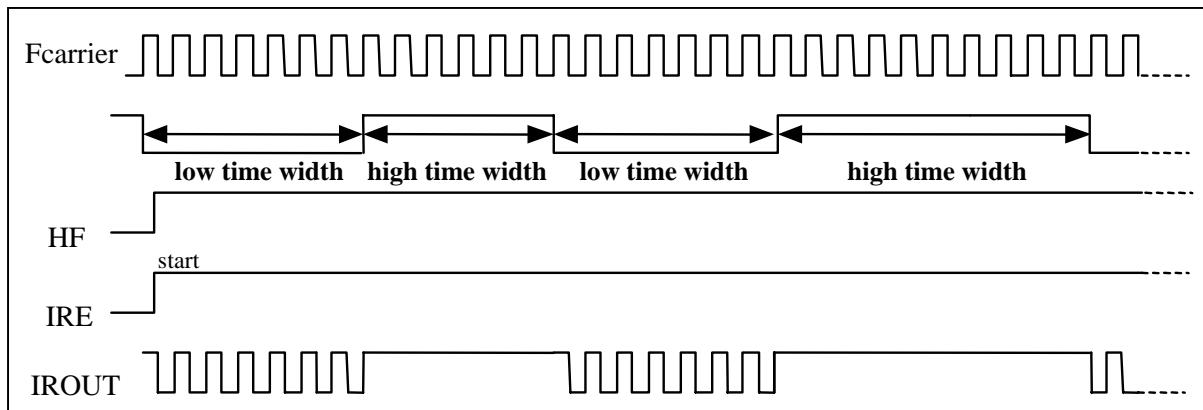


Fig. 6-11a LGP=0, HF=1, IROUT Pin Output Waveform

The following figure shows **LGP=0** and **HF=0**. The IROUT waveform cannot modulate the Fcarrier waveform at low-time segments of the pulse. So IROUT waveform is determined by the high time width and low time width instead. This mode can produce standard PWM waveform

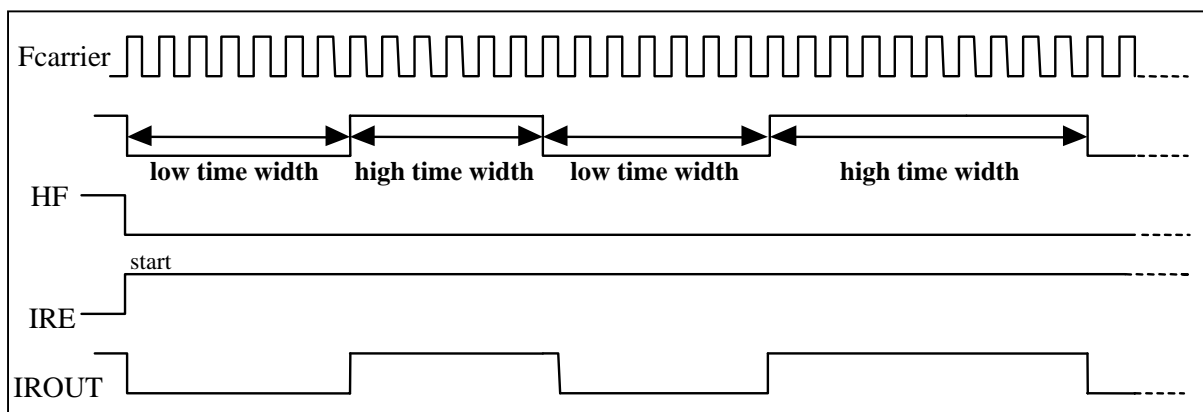
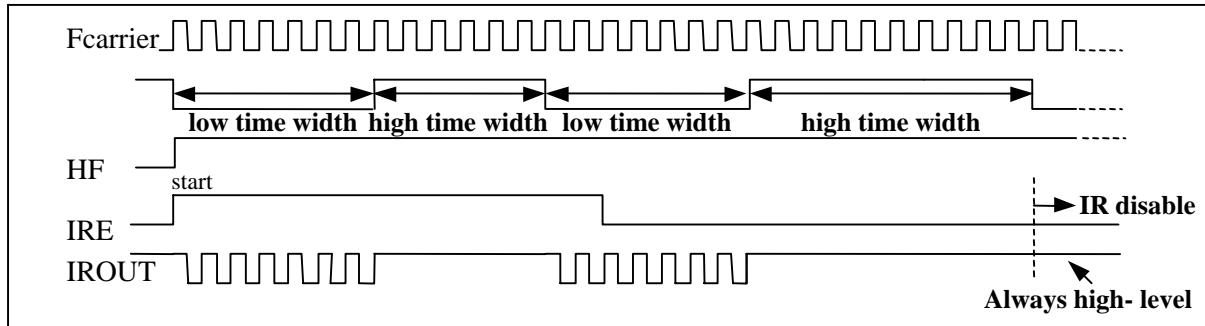


Fig. 6-11b LGP=0, HF=0, IROUT Pin Output Waveform

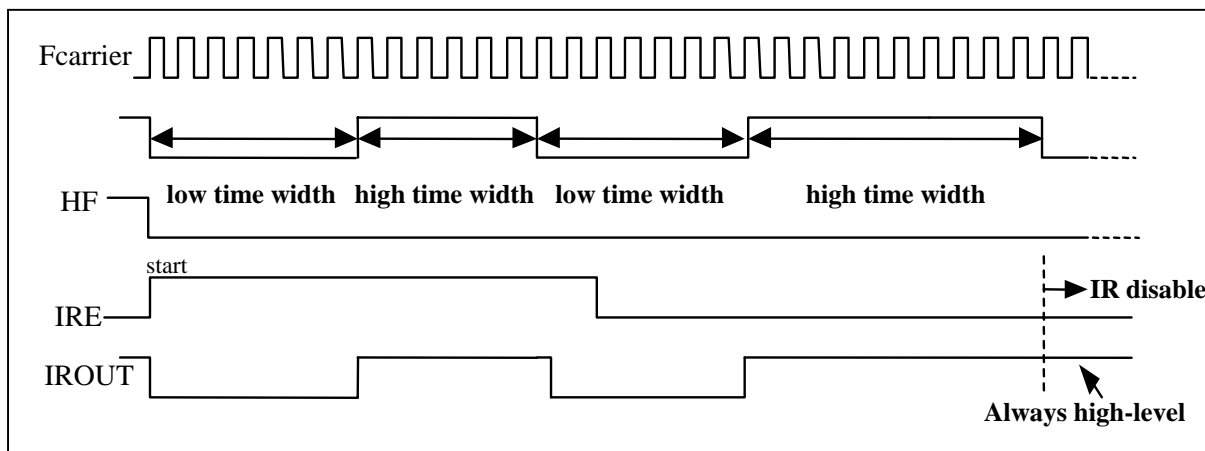


The following figure shows **LGP=0** and **HF=1**. The IROUT waveform modulates the Fcarrier waveform at low-time segments of the pulse. When IRE goes low from high, the output waveform of IROUT will keep transmitting till high-time interrupt occurs.



*Fig. 6-11c LGP=0, HF=1, When IRE goes Low from High, IROUT Pin Outputs Waveform*

The following figure shows **LGP=0** and **HF=0**. The IROUT waveform cannot modulate the Fcarrier waveform at low-time segments of the pulse. So IROUT waveform is determined by high time width and low time width. This mode can produce standard PWM waveform when IRE goes low from high. The output waveform of IROUT will keep on transmitting till high-time interrupt occurs.



*Fig. 6-11d LGP=0, HF=0, When IRE goes Low from High, IROUT Pin Output Waveform*

The following figure shows **LGP=1** and **HF=1**. When this bit is set to high level, the high-time segment of the pulse is ignored. So, IROUT waveform output is determined by low-time width.

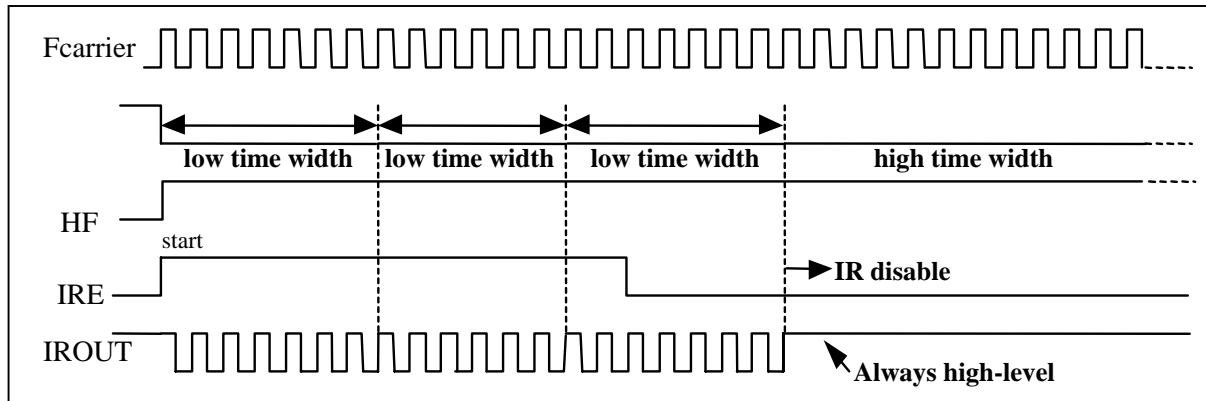


Fig. 6-11e LGP=1 and HP=1, IROUT Pin Output Waveform

### 6.8.3 Programming the Related Registers

When defining IR/PWM, refer to the operation of the related registers as shown in the tables below.

#### IR/PWM Related Control Registers

Address	Name	Bit 7	Bit 6	Bit 5	Bit 4	Bit 3	Bit 2	Bit 1	Bit 0
0x09	IOC90	TCCBHE /0	TCCBEN/0	TCCBTS/0	TCCBTE/0	0	TCCCNEN/0	TCCCTS/0	TCCCTE/0
0X0A	IR CR /IOCA0	TCCCSE /0	TCCCS2/0	TCCCS1/0	TCCCS0/0	IRE/0	HF/0	LGP/0	IROUTE/0
0x0F	IMR /IOCF0	LPWTIE /0	HPWTIE/0	TCCCIE/0	TCCBIE/0	TCCAIE/0	EXIE/0	ICIE/0	TCIE/0
0X0B	HLTS /IOCB1	HTSE /0	HTS2/0	HTS1/0	HTS0/0	LTSE/0	LTS2/0	LTS1/0	LTS0/0

#### IR/PWM Related Status/Data Registers

Address	Name	Bit 7	Bit 6	Bit 5	Bit 4	Bit 3	Bit 2	Bit 1	Bit 0
0x0F	ISR/RF	LPWTIF/0	HPWTIF/0	TCCCIF/0	TCCBIF/0	TCCAIF/0	EXIF/0	ICIF/0	TCIF/0
0x06	TCCC /IOC81	TCCC7/0	TCCC6/0	TCCC5/0	TCCC4/0	TCCC3/0	TCCC2/0	TCCC1/0	TCCC0/0
0X09	LTR /IOC91	LTR7/0	LTR6/0	LTR5/0	LTR4/0	LTR3/0	LTR2/0	LTR1/0	LTR0/0
0X0A	HTR /IOCA1	HTR7/0	HTR6/0	HTR5/0	HTR4/0	HTR3/0	HTR2/0	HTR1/0	HTR0/0

## 6.9 Timer/Counter

### 6.9.1 Overview

TimerA (TCCA) is an 8-bit clock counter. TimerB (TCCB) is a 16-bit clock counter. TimerC (TCCC) is an 8-bit clock counter that can be extended to 16-bit clock counter with programmable scalars. TCCA, TCCB, and TCCC can be read and written to, and are cleared at every reset condition.

### 6.9.2 Function Description

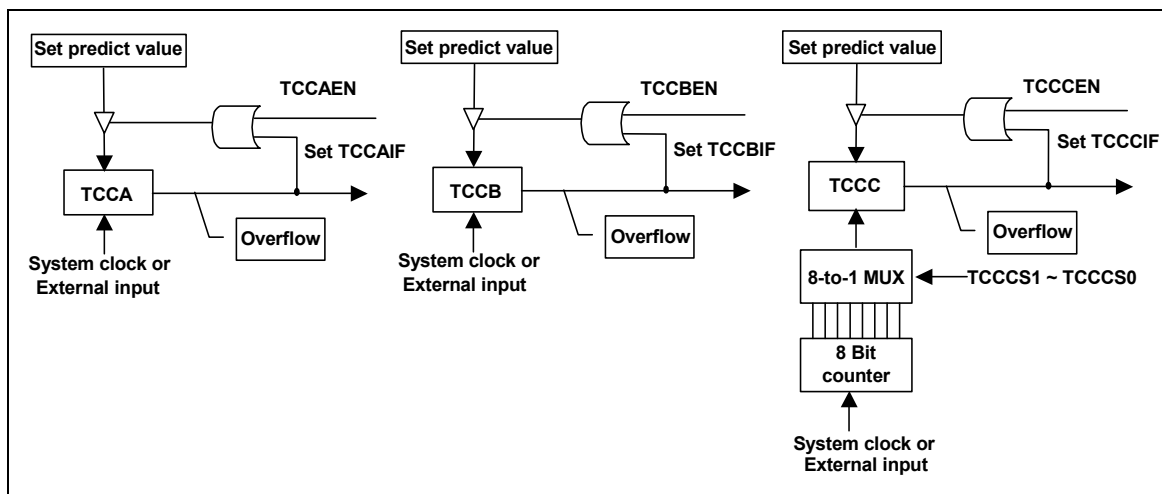


Fig. 6.12 TIMER Block Diagram

Each signal and block of the above TIMER block diagram is described as follows:

**TCCX:** Timer A~C register. TCCX increases until it matches with zero, and then reload the predicted value. When writing a value to TCCX, the predicted value and TCCX value become the set value. When reading from TCCX, the value will be the TCCX direct value. When TCCXEN is enabled, the reload of the predicted value to TCCX, TCCXIE is also enabled. TCCXIF will be set at the same time. It is an up counter.

#### Under TCCA Counter (IOC51):

IOC51 (TCCA) is an 8-bit clock counter. It can be read, written, and cleared on any reset condition and is an UP Counter.

#### NOTE

- $TCCA \text{ timeout period } [1/Fosc \times (256 - TCCA \text{ cnt}) \times 1 (CLK=2)]$
- $TCCA \text{ timeout period } [1/Fosc \times (256 - TCCA \text{ cnt}) \times 2 (CLK=4)]$

#### Under TCCB Counter (IOC61):

An 8-bit clock counter is for the least significant byte of TCCBX (TCCB). It can be read, written, and cleared on any reset condition and is an UP Counter.

**Under TCCBH / MSB Counter (IOC71):**

An 8-bit clock counter is for the most significant byte of TCCBX (TCCBH). It can be read, written, and cleared on any reset condition.

When TCCBHE (IOC90) is “0,” then TCCBH is disabled. When TCCBHE is “1,” then TCCB is a 16-bit length counter.

**NOTE**

**When TCCBH is Disabled:**

*TCCB timeout period*  $[1/Fosc \times (256 - TCCB \text{ cnt}) \times 1 (CLK=2)]$

*TCCB timeout period*  $[1/Fosc \times (256 - TCCB \text{ cnt}) \times 2 (CLK=4)]$

**When TCCBH is Enabled:**

*TCCB timeout period*  $\{1/Fosc \times [65536 - (TCCBH * 256 + TCCB \text{ cnt})] \times 1 (CLK=2)\}$

*TCCB timeout period*  $\{1/Fosc \times [65536 - (TCCBH * 256 + TCCB \text{ cnt})] \times 2 (CLK=4)\}$

**Under TCCC Counter (IOC81):**

IOC81 (TCCC) is an 8-bit clock counter. It can be read, written, and cleared on any reset condition.

If HF (Bit 2 of IOCA0) = 1 and IRE (Bit 3 of IOCA0) = 1, TCCC counter scale uses the low-time segments of the pulse generated by Fcarrier frequency modulation (see Fig. 6-11 in Section 6.8.2, *Function Description*). Then the TCCC value will be the TCCC predicted value.

When HP = 0 or IRE = 0, the TCCC is an UP Counter.

**NOTE**

**Under TCCC UP Counter mode:**

■ *TCCC timeout period*  $[1/Fosc \times \text{scaler} (IOCA0) \times (256 - TCCC \text{ cnt}) \times 1 (CLK=2)]$

■ *TCCC timeout period*  $[1/Fosc \times \text{scaler} (IOCA0) \times (256 - TCCC \text{ cnt}) \times 2 (CLK=4)]$

When HP = 1 and IRE = 1, the TCCC counter scale uses the low-time segments of the pulse generated by Fcarrier frequency modulation.

**NOTE**

**Under IR mode:**

■  $F_{\text{carrier}} = FT / 2 \{ [1 + \text{decimal TCCC Counter value (IOC81)}] * \text{TCCC Scale (IOCA0)} \}$

■ *FT is system clock:*  $FT = Fosc / 1 (CLK=2)$

$FT = Fosc / 2 (CLK=4)$

### 6.9.3 Programming the Related Registers

When defining TCCX, refer to the operation of its related registers as shown in the tables below.

TCCX Related Control Registers:

Address	Name	Bit 7	Bit 6	Bit 5	Bit 4	Bit 3	Bit 2	Bit 1	Bit 0
0x08	IOC80	0	0	CPOUT/0	COS1/0	COS0/0	TCCAEN /0	TCCATS /0	TCCATE /0
0x09	IOC90	TCCBHE /0	TCCBEN /0	TCCBTS /0	TCCBTE /0	0	TCCCNEN /0	TCCCTS /0	TCCCTE /0
0x0A	IR CR /IOCA0	TCCCSE /0	TCCCS2 /0	TCCCS1/ 0	TCCCS0 /0	IRE/0	HF/0	LGP/0	IRROUTE/0
0x0F	IMR /IOCF0	LPWTE/0	HPWTE/0	TCCCIE/0	TCCBIE/0	TCCAIE/0	EXIE/0	ICIE/0	TCIE/0

Related TCCX Status/Data Registers:

Address	Name	Bit 7	Bit 6	Bit 5	Bit 4	Bit 3	Bit 2	Bit 1	Bit 0
0x0F	ISR/RF	LPWTF/0	HPWTF/0	TCCCIF/0	TCCBIF/0	TCCAIF/0	EXIF/0	ICIF/0	TCIF/0
0x05	TCCA /IOC51	TCCA7/0	TCCA6/0	TCCA5/0	TCCA4/0	TCCA3/0	TCCA2/0	TCCA1/0	TCCA0/0
0x06	TCCB /IOC61	TCCB7/0	TCCB6/0	TCCB5/0	TCCB4/0	TCCB3/0	TCCB2/0	TCCB1/0	TCCB0/0
0x07	TCCBH /IOC71	TCCBH7 /0	TCCBH6 /0	TCCBH5 /0	TCCBH4 /0	TCCBH3 /0	TCCBH2 /0	TCCBH1 /0	TCCBH0 /0
0x08	TCCC /IOC81	TCCC7/0	TCCC6/0	TCCC5/0	TCCC4/0	TCCC3/0	TCCC2/0	TCCC1/0	TCCC0/0

## 6.10 Comparator

EM78P259N/260N has one comparator which has two analog inputs and one output. The comparator can be employed to wake-up from the sleep mode. Figure below shows the circuit of the comparator.

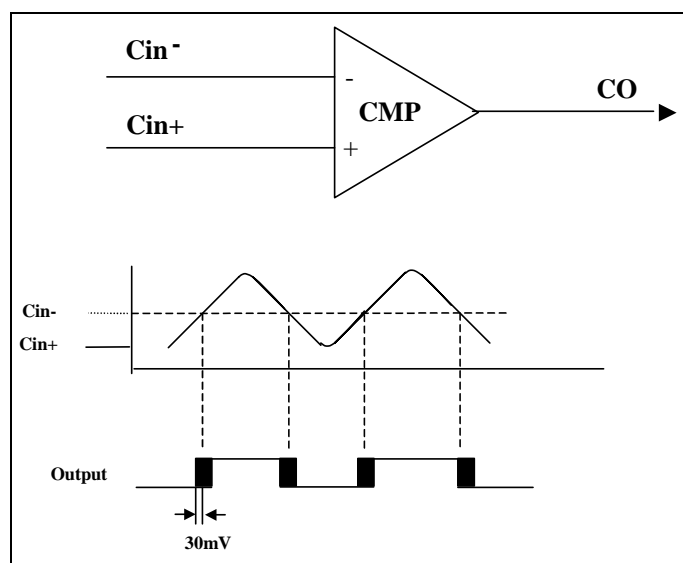


Fig. 6.13 Comparator Operating Mode



### 6.10.1 External Reference Signal

The analog signal that is presented at Cin- compares to the signal at Cin+. The digital output (CO) of the comparator is adjusted accordingly by taking the following notes into considerations:

**NOTE**

- The reference signal must be between Vss and Vdd.
- The reference voltage can be applied to either pin of the comparator.
- Threshold detector applications may be of the same reference.
- The comparator can operate from the same or different reference sources.

### 6.10.2 Comparator Outputs

- The compared result is stored in the CMPOUT of IOC80.
- The comparator outputs are sent to CO (P64) through programming Bit 4 & Bit 3<COS1, COS0> of the IOC80 register to <1,0>. See table under Section 6.2.4, *IOC80 (Comparator and TCCA Control Registers)* for Comparator/OP select bits function description.

The following figure shows the Comparator Output block diagram.

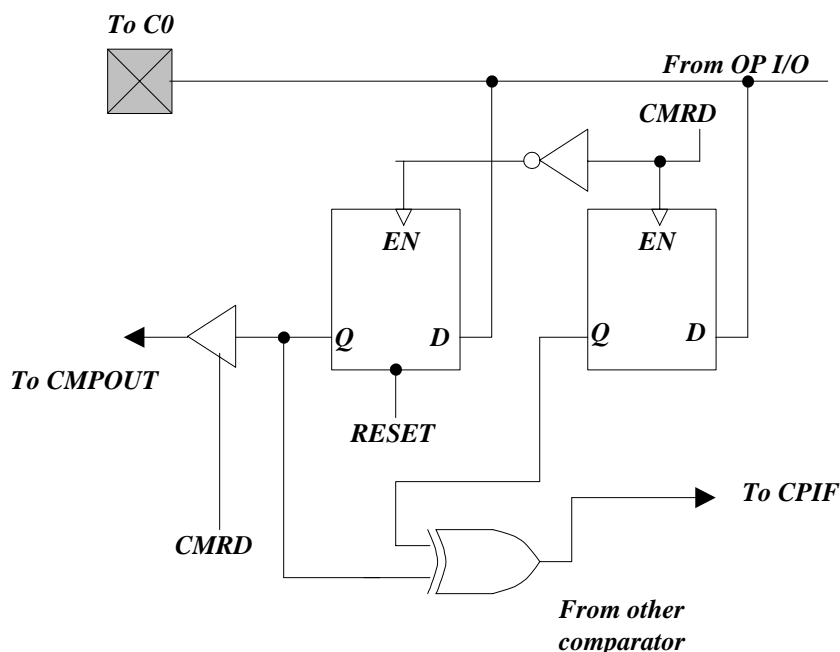


Fig. 6-14 The Output Configuration of a Comparator



### 6.10.3 Using a Comparator as an Operation Amplifier

The comparator can be used as an operation amplifier if a feedback resistor is externally connected from the input to the output. In this case, the Schmitt trigger can be disabled for power saving purposes, by setting Bit 4, Bit 3<COS1, COS0> of the IOC80 register to <1,1>. See table under Section 6.2.4, *IOC80 (Comparator and TCCA Control Registers)* for Comparator/OP select bits function description.

#### NOTE

##### **Under Operation Amplifier:**

- The CMPIE (IOCE0.4), CMPWE (RE.2), and CMPIF (RE.4) bits are invalid.
- The comparator interrupt is invalid.
- The comparator wake-up is invalid.

### 6.10.4 Comparator Interrupt

- CMPIE (IOCE0.4) must be enabled for the “ENI” instruction to take effect
- Interrupt is triggered whenever a change occurs on the comparator output pin
- The actual change on the pin can be determined by reading the Bit CMPOUT, IOC80<5>.
- CMPIF (RE.4), the comparator interrupt flag, can only be cleared by software

### 6.10.5 Wake-up from SLEEP Mode

- If the CMPWE bit of the RE register is set to “1,” the comparator remains active and the interrupt remains functional, even under SLEEP mode.
- If a mismatch occurs, the change will wake up the device from SLEEP mode.
- The power consumption should be taken into consideration for the benefit of energy conservation.
- If the function is unemployed during SLEEP mode, turn off the comparator before entering into sleep mode.

The Comparator is considered completed as determined by:

1. COS1 and COS0 bits of IOC80 register setting selects Comparator.
2. CMPIF bit of RE register is set to “1”.
3. CMPWE bit of RE register is set to “1”. Wakes-up from Comparator (where it remains in operation during sleep mode)
4. Wakes-up and executes the next instruction, if CMPIE bit of IOCE0 is enabled and the “DISI” instruction is executed.
5. Wake-up and enters into Interrupt vector (address 0x00F), if ADIE bit of IOCE0 is enabled and the “ENI” instruction is executed
6. Enters into Interrupt vector (address 0x00F), if CMPIE bit of IOCE0 is enabled and the “ENI” instruction is executed.

## 6.11 Oscillator

### 6.11.1 Oscillator Modes

The EM78P259N/260N can be operated in four different oscillator modes, such as High XTAL oscillator mode (HXT), Low XTAL oscillator mode (LXT), External RC oscillator mode (ERC), and RC oscillator mode with Internal RC oscillator mode (IRC). You can select one of them by programming the OSC2, OCS1, and OSC0 in the CODE Option register.

The Oscillator modes defined by OSC2, OCS1, and OSC0 are described below.

Oscillator Modes	OSC2	OSC1	OSC0
ERC <sup>1</sup> (External RC oscillator mode); P70/OSCO acts as P70	0	0	0
ERC <sup>1</sup> (External RC oscillator mode); P70/OSCO acts as OSKO	0	0	1
IRC <sup>2</sup> (Internal RC oscillator mode); P70/OSCO acts as P70	0	1	0
IRC <sup>2</sup> (Internal RC oscillator mode); P70/OSCO acts as OSKO	0	1	1
LXT <sup>3</sup> (Low XTAL oscillator mode)	1	1	0
HXT <sup>3</sup> High XTAL oscillator mode) (default)	1	1	1

<sup>1</sup> Under ERC mode, OSC1 is used as oscillator pin. OSKO/P70 is defined by code option WORD0 Bit6 ~ Bit4.

<sup>2</sup> Under IRC mode, P55 is normal I/O pin. OSKO/P70 is defined by code option WORD0 Bit6 ~ Bit4.

<sup>3</sup> Under LXT and HXT modes; OSC1 and OSKO are used as oscillator pins. These pins cannot and should not be defined as normal I/O pins.

**NOTE**

*The transient point of the system frequency between HXT and LXY is around 400kHz.*

The maximum operating frequency limit of crystal/resonator at different VDDs, are as follows:

Conditions	VDD	Max. Freq. (MHz)
Two clocks	2.3	4
	3.0	8
	5.0	20

### 6.11.2 Crystal Oscillator/Ceramic Resonators (XTAL)

The EM78P259N/260N can be driven by an external clock signal through the OSCI pin as illustrated below.

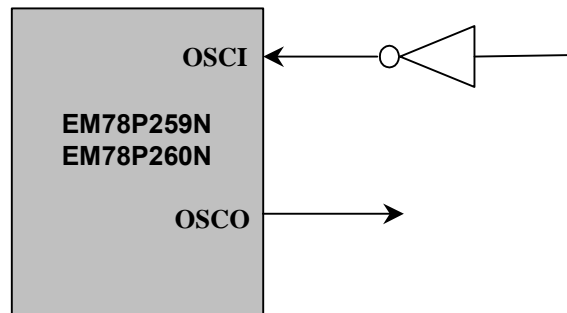


Fig. 6-15 External Clock Input Circuit

In most applications, Pin OSCI and Pin OSCO can be connected with a crystal or ceramic resonator to generate oscillation. Fig. 6-16 below depicts such circuit. The same applies to the HXT mode and the LXT mode.

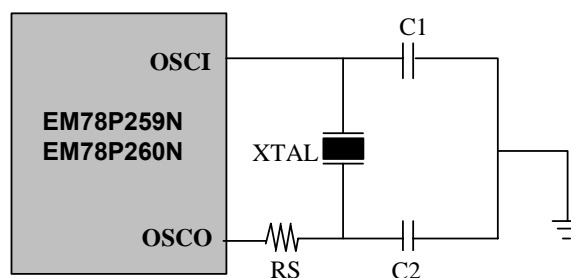


Fig. 6-16 Crystal/Resonator Circuit

The following table provides the recommended values for C1 and C2. Since each resonator has its own attribute, you should refer to the resonator specifications for the appropriate values of C1 and C2. RS, a serial resistor, may be required for AT strip cut crystal or low frequency mode.

Capacitor selection guide for crystal oscillator or ceramic resonators:

Oscillator Type	Frequency Mode	Frequency	C1(pF)	C2(pF)
Ceramic Resonators	HXT	455kHz	100~150	100~150
		2.0 MHz	20~40	20~40
		4.0 MHz	10~30	10~30
Crystal Oscillator	LXT	32.768kHz	25	15
		100kHz	25	25
		200kHz	25	25
	HXT	455kHz	20~40	20~150
		1.0 MHz	15~30	15~30
		2.0 MHz	15	15
		4.0 MHz	15	15

Circuit diagrams for serial and parallel modes Crystal/Resonator:

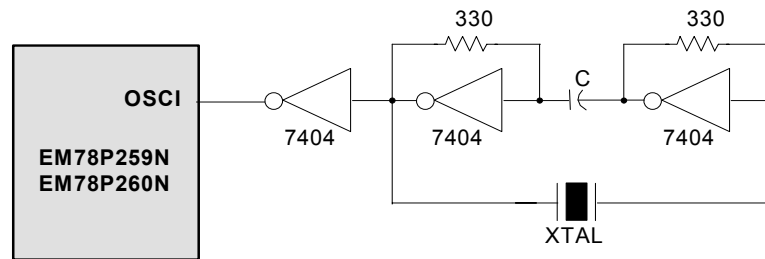


Fig. 6-17 Serial Mode Crystal/Resonator Circuit Diagram

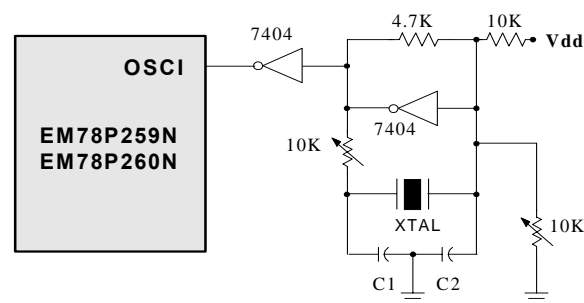


Fig. 6-18 Parallel Mode Crystal/Resonator Circuit Diagram

### 6.11.3 External RC Oscillator Mode

For some applications that do not require precise timing calculation, the RC oscillator (Fig. 6-19 right) could offer you with effective cost savings. Nevertheless, it should be noted that the frequency of the RC oscillator is influenced by the supply voltage, the values of the resistor (Rext), the capacitor (Cext), and even by the operation temperature. Moreover, the frequency also changes slightly from one chip to another due to the manufacturing process variation.

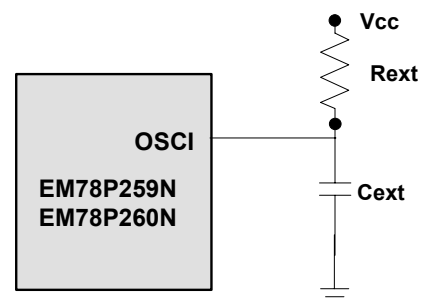


Fig. 6-19 External RC Oscillator Mode Circuit

In order to maintain a stable system frequency, the values of the Cext should be no less than 20pF, and that of Rext should be no greater than 1MΩ. If the frequency cannot be kept within this range, the frequency can be affected easily by noise, humidity, and leakage.

The smaller the Rext in the RC oscillator is, the faster its frequency will be. On the contrary, for very low Rext values, for instance, 1 KΩ, the oscillator will become unstable because the NMOS cannot discharge the capacitance current correctly.



Based on the above reasons, it must be kept in mind that all supply voltage, the operation temperature, the components of the RC oscillator, the package types, and the way the PCB is layout, have certain effect on the system frequency.

The RC Oscillator frequencies:

Cext	Rext	Average Fosc 5V,25°C	Average Fosc 3V,25°C
20 pF	3.3k	3.5 MHz	3.2 MHz
	5.1k	2.5 MHz	2.3 MHz
	10k	1.30 MHz	1.25 MHz
	100k	140 KHz	140kHz
100 pF	3.3k	1.27 MHz	1.21 MHz
	5.1k	850kHz	820kHz
	10k	450kHz	450kHz
	100k	48kHz	50kHz
300 pF	3.3k	560kHz	540kHz
	5.1k	370kHz	360kHz
	10k	196kHz	192kHz
	100k	20kHz	20kHz

NOTE: 1. Measured on DIP packages  
 2. Design reference only  
 3. The frequency drift is about ±30%

#### 6.11.4 Internal RC Oscillator Mode

EM78P259N/260N offers a versatile internal RC mode with default frequency value of 4MHz. Internal RC oscillator mode has other frequencies (1MHz, 8MHz, and 455kHz) that can be set by CODE OPTION (WORD1), RCM1, and RCM0. The Table below describes the EM78P259N/260N internal RC drift with voltage, temperature, and process variation.

Internal RC Drift Rate (Ta=25 , VDD=5V±5%, VSS=0V)

Internal RC Frequency	Drift Rate			
	Temperature (-40 ~+80 )	Voltage (2.3V~5.5V)	Process	Total
4MHz	±10%	±5%	±4%	±19%
8MHz	±10%	±6%	±4%	±20%
1MHz	±10%	±5%	±4%	±19%
455MHz	±10%	±5%	±4%	±19%

Theoretical values, for reference only. Actual values may vary depending on the actual process.

## 6.12 Power-On Considerations

Any microcontroller is not warranted to start operating properly before the power supply stabilizes in steady state. The EM78P259N/260N POR voltage range is 1.9 ~ 2.1V. Under customer application, when power is switched OFF, Vdd must drop below 1.9V and remains at OFF state for 10 $\mu$ s before power can be switched ON again. Subsequently, the EM78P259N/260N will reset and work normally. The extra external reset circuit will work well if Vdd rises fast enough (50ms or less). However, under critical applications, extra devices are still required to assist in solving power-on problems.

### 6.12.1 Programmable WDT Time-Out Period

The Option word (WDTPS) is used to define the WDT time-out period (18ms<sup>5</sup> or 4.5ms<sup>6</sup>). Theoretically, the range is from 4.5ms or 18ms. For most crystal or ceramic resonators, the lower the operation frequency is, the longer is the required set-up time.

### 6.12.2 External Power-on Reset Circuit

The circuit shown in the following figure implements an external RC to produce a reset pulse. The pulse width (time constant) should be kept long enough to allow Vdd to reach the minimum operating voltage. This circuit is used when the power supply has a slow power rise time. Because the current leakage from the /RESET pin is about  $\pm 5\mu$ A, it is recommended that R should not be greater than 40 K. This way, the voltage at Pin /RESET is held below 0.2V. The diode (D) acts as a short circuit at power-down. The "C" capacitor is discharged rapidly and fully. Rin, the current-limited resistor, prevents high current discharge or ESD (electrostatic discharge) from flowing into Pin /RESET.

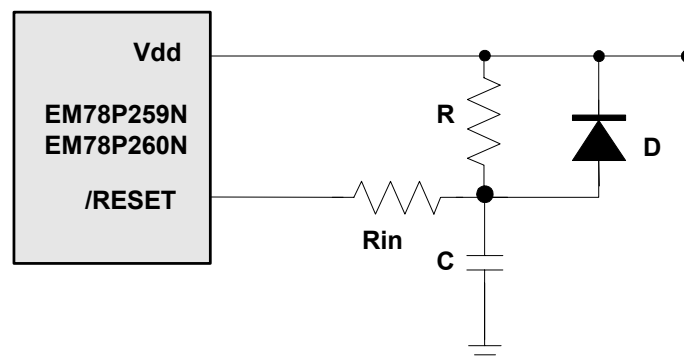


Fig. 6-20 External Power-on Reset Circuit

<sup>5</sup> VDD=5V, WDT time-out period = 16.5ms  $\pm$  30%.  
VDD=3V, WDT time-out period = 18ms  $\pm$  30%.

<sup>6</sup> VDD=5V, WDT time-out period = 4.2ms  $\pm$  30%.  
VDD=3V, WDT time-out period = 4.5ms  $\pm$  30%.



### 6.12.3 Residual Voltage Protection

When the battery is replaced, device power (Vdd) is removed but the residual voltage remains. The residual voltage may trip below Vdd minimum, but not to zero. This condition may cause a poor power-on reset. Fig. 6-21 and Fig. 6-22 show how to create a protection circuit against residual voltage.

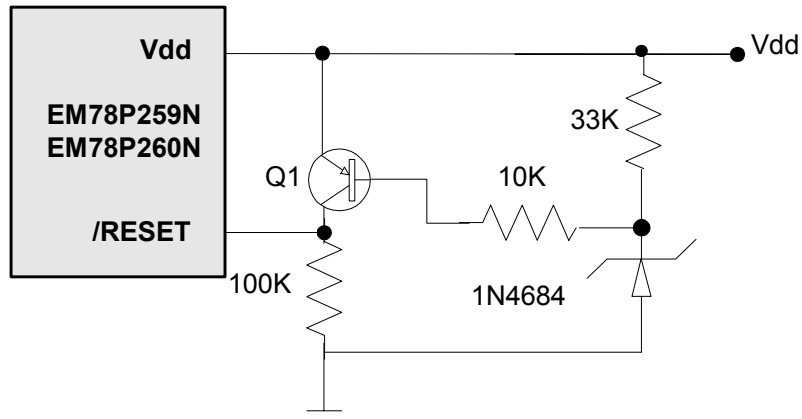


Fig. 6-21 Residual Voltage Protection Circuit 1

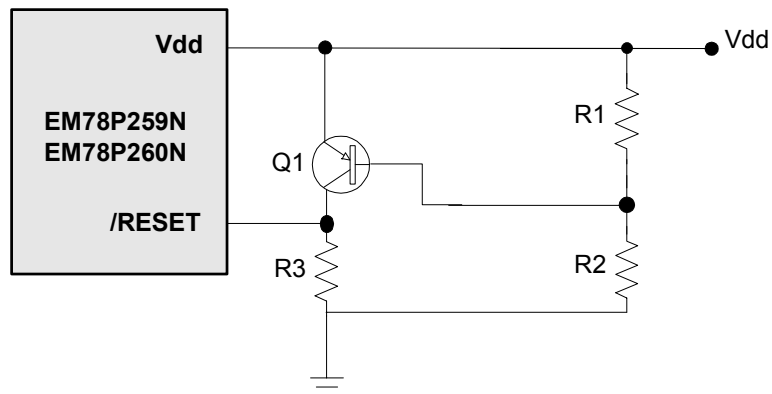


Fig. 6-22 Residual Voltage Protection Circuit 2





## 6.13 Code Option

EM78P259N/260N has two CODE option words and one Customer ID word that are not part of the normal program memory.

Word 0	Word1	Word 2
Bit12 ~ Bit0	Bit12 ~ Bit0	Bit12 ~ Bit0

### 6.13.1 Code Option Register (Word 0)

WORD 0												
Bit 12	Bit 11	Bit 10	Bit 9	Bit 8	Bit 7	Bit 6	Bit 5	Bit 4	Bit 3	Bit 2	Bit 1	Bit 0
-	-	-	TYPE	CLKS	ENWDTB	OSC2	OSC1	OSC0	HLP	PR2	PR1	PR0

**Bit 12 ~ 10:** Not used (reserved). These bits are set to "1" all the time

**Bit 9 (TYPE):** Type selection for EM78P259N or EM78P260N  
0 = EM78P260N  
1 = EM78P259N (default)

**Bit 8 (CLKS):** Instruction period option bit  
0 = two oscillator periods  
1 = four oscillator periods (default)  
Refer to Section 6.15 for Instruction Set

**Bit 7 (ENWDTB):** Watchdog timer enable bit  
0 = Enable  
1 = Disable (default)

**Bit 6, 5 & 4 (OSC2, OSC1 & OSC0):** Oscillator Modes Selection bits

Oscillator Modes	OSC2	OSC1	OSC0
ERC <sup>1</sup> (External RC oscillator mode); P70/OSCO acts as P70	0	0	0
ERC <sup>1</sup> (External RC oscillator mode); P70/OSCO acts as OSC0	0	0	1
IRC <sup>2</sup> (Internal RC oscillator mode); P70/OSCO acts as P70	0	1	0
IRC <sup>2</sup> (Internal RC oscillator mode); P70/OSCO acts as OSC0	0	1	1
LXT <sup>3</sup> (Low XTAL oscillator mode)	1	1	0
HXT <sup>3</sup> High XTAL oscillator mode) (default)	1	1	1

<sup>1</sup> Under ERC mode, OSC1 is used as oscillator pin. OSC0/P70 is defined by code option WORD0 Bit6 ~ Bit4.

<sup>2</sup> Under IRC mode, P55 is normal I/O pin. OSC0/P70 is defined by code option WORD0 Bit6 ~ Bit4.

<sup>3</sup> Under LXT and HXT modes; OSC1 and OSC0 are used as oscillator pins. These pins cannot and should not be defined as normal I/O pins.

#### NOTE

*The transient point of the system frequency between HXT and LXY is around 400kHz.*



**Bit 3 (HLP):** Power consumption selection  
 0 = Low power consumption, applies to working frequency at or below 4MHz  
 1 = High power consumption, applies to working frequency above 4MHz

**Bit 2 ~ 0 (PR2 ~ PR0):** Protect Bits  
 PR2 ~ PR0 are protect bits. Each protect status is as follows:

PR2	PR1	PR0	Protect
0	0	0	Enable
0	0	1	Enable
0	1	0	Enable
0	1	1	Enable
1	0	0	Enable
1	0	1	Enable
1	1	0	Enable
1	1	1	Disable

### 6.13.2 Code Option Register (Word 1)

WORD 1												
Bit 12	Bit 11	Bit 10	Bit 9	Bit 8	Bit 7	Bit 6	Bit 5	Bit 4	Bit 3	Bit 2	Bit 1	Bit 0
-	-	RCOUT	NRHL	NRE	WDTPS	CYES	C3	C2	C1	C0	RCM1	RCM0

**Bits 12 ~ 11:** Not used (reserved). These bits are set to "1" all the time

**Bit 10 (RCOUT):** System clock output enable bit in IRC or ERC mode  
 0 = OSCO pin is open drain  
 1 = OSCO output system clock

**Bit 9 (NRHL):** Noise rejection high/low pulses define bit. INT pin is falling edge trigger  
 0 = Pulses equal to  $8/f_c$  [s] is regarded as signal  
 1 = Pulses equal to  $32/f_c$  [s] is regarded as signal (default)

**NOTE**  
*The noise rejection function is turned off under the LXT and sleep mode.*

**Bit 8 (NRE):** Noise rejection enable  
 0 = disable noise rejection  
 1 = enable noise rejection (default), but under Low XTAL oscillator (LXT) mode, the noise rejection circuit is always disabled.



**Bit 7 (WDTPS):** WDT Time-out Period Selection bit

WDT Time	Watch-Dog Time*
1	18 ms
0	4.5 ms

\*Theoretical values, for reference only

**Bit 6 (CYES):** Instruction cycle selection bit

0 = one instruction cycle.

1 = two instructions cycle (default)

**Bit 5, 4, 3, & Bit 2 (C3, C2, C1, C0):** Calibrator of internal RC mode

C3, C2, C1, & C0 must be set to "1" only (auto-calibration).

**Bit 1 & Bit 0 (RCM1, RCM0):** RC mode selection bits

RCM 1	RCM 0	Frequency (MHz)
1	1	4
1	0	8
0	1	1
0	0	455kHz

### 6.13.3 Customer ID Register (Word 2)

WORD 2												
Bit 12	Bit 11	Bit 10	Bit 9	Bit 8	Bit 7	Bit 6	Bit 5	Bit 4	Bit 3	Bit 2	Bit 1	Bit 0
X	X	X	X	X	X	X	X	X	X	X	X	X

Bit 12 ~ 0 : Customer's ID code

## 6.14 Instruction Set

Each instruction in the instruction set is a 13-bit word divided into an OP code and one or more operands. Normally, all instructions are executed within one single instruction cycle (one instruction consists of 2 oscillator periods), unless the program counter is changed by instructions "MOV R2,A," "ADD R2,A," or by instructions of arithmetic or logic operation on R2 (e.g., "SUB R2,A," "BS(C) R2,6," "CLR R2," etc.). In this case, these instructions need one or two instruction cycles as determined by Code Option Register CYES bit.

In addition, the instruction set has the following features:

1. Every bit of any register can be set, cleared, or tested directly.
2. The I/O registers can be regarded as general registers. That is, the same instruction can operate on I/O registers.



The symbol "R" represents a register designator that specifies which of the registers (including operational registers and general-purpose registers) is to be utilized by the instruction. The symbol "b" represents a bit field designator that selects the value for the bit located in the register "R" that is affected by the operation. The symbol "k" represents an 8 or 10-bit constant or literal value.

The following are the EM78P259N/260N instruction set

Instruction Binary	HEX	Mnemonic	Operation	Status Affected
0 0000 0000 0000	0000	NOP	No Operation	None
0 0000 0000 0001	0001	DAA	Decimal Adjust A	C
0 0000 0000 0010	0002	CONTW	A → CONT	None
0 0000 0000 0011	0003	SLEP	0 → WDT, Stop oscillator	T,P
0 0000 0000 0100	0004	WDTC	0 → WDT	T,P
0 0000 0000 rrrr	000r	IOW R	A → IOCR	None <sup>1</sup>
0 0000 0001 0000	0010	ENI	Enable Interrupt	None
0 0000 0001 0001	0011	DISI	Disable Interrupt	None
0 0000 0001 0010	0012	RET	[Top of Stack] → PC	None
0 0000 0001 0011	0013	RETI	[Top of Stack] → PC, Enable Interrupt	None
0 0000 0001 0100	0014	CONTR	CONT → A	None
0 0000 0001 rrrr	001r	IOR R	IOCR → A	None <sup>1</sup>
0 0000 01rr rrrr	00rr	MOV R,A	A → R	None
0 0000 1000 0000	0080	CLRA	0 → A	Z
0 0000 11rr rrrr	00rr	CLR R	0 → R	Z
0 0001 00rr rrrr	01rr	SUB A,R	R-A → A	Z,C,DC
0 0001 01rr rrrr	01rr	SUB R,A	R-A → R	Z,C,DC
0 0001 10rr rrrr	01rr	DECA R	R-1 → A	Z
0 0001 11rr rrrr	01rr	DEC R	R-1 → R	Z
0 0010 00rr rrrr	02rr	OR A,R	A ∨ VR → A	Z
0 0010 01rr rrrr	02rr	OR R,A	A ∨ VR → R	Z
0 0010 10rr rrrr	02rr	AND A,R	A & R → A	Z
0 0010 11rr rrrr	02rr	AND R,A	A & R → R	Z
0 0011 00rr rrrr	03rr	XOR A,R	A ⊕ R → A	Z
0 0011 01rr rrrr	03rr	XOR R,A	A ⊕ R → R	Z
0 0011 10rr rrrr	03rr	ADD A,R	A + R → A	Z,C,DC
0 0011 11rr rrrr	03rr	ADD R,A	A + R → R	Z,C,DC
0 0100 00rr rrrr	04rr	MOV A,R	R → A	Z
0 0100 01rr rrrr	04rr	MOV R,R	R → R	Z
0 0100 10rr rrrr	04rr	COMA R	/R → A	Z
0 0100 11rr rrrr	04rr	COM R	/R → R	Z
0 0101 00rr rrrr	05rr	INCA R	R+1 → A	Z
0 0101 01rr rrrr	05rr	INC R	R+1 → R	Z
0 0101 10rr rrrr	05rr	DJZA R	R-1 → A, skip if zero	None
0 0101 11rr rrrr	05rr	DJZ R	R-1 → R, skip if zero	None
0 0110 00rr rrrr	06rr	RRCA R	R(n) → A(n-1),R(0) → C, C → A(7)	C
0 0110 01rr rrrr	06rr	RRC R	R(n) → R(n-1),R(0) → C, C → R(7)	C
0 0110 10rr rrrr	06rr	RLCA R	R(n) → A(n+1),R(7) → C, C → A(0)	C
0 0110 11rr rrrr	06rr	RLC R	R(n) → R(n+1),R(7) → C, C → R(0)	C
0 0111 00rr rrrr	07rr	SWAPA R	R(0-3) → A(4-7),R(4-7) → A(0-3)	None
0 0111 01rr rrrr	07rr	SWAP R	R(0-3) ↔ R(4-7)	None
0 0111 10rr rrrr	07rr	JZA R	R+1 → A, skip if zero	None



Instruction Binary	HEX	Mnemonic	Operation	Status Affected
0 0111 11rr rrrr	07rr	JZ R	R+1 → R, skip if zero	None
0 100b brrr rrrr	0xxx	BC R,b	0 → R(b)	None <sup>2</sup>
0 101b brrr rrrr	0xxx	BS R,b	1 → R(b)	None <sup>3</sup>
0 110b brrr rrrr	0xxx	JBC R,b	if R(b)=0, skip	None
0 111b brrr rrrr	0xxx	JBS R,b	if R(b)=1, skip	None
1 00kk kkkk kkkk	1kkk	CALL k	PC+1 → [SP],(Page, k) → PC	None
1 01kk kkkk kkkk	1kkk	JMP k	(Page, k) → PC	None
1 1000 kkkk kkkk	18kk	MOV A,k	k → A	None
1 1001 kkkk kkkk	19kk	OR A,k	A ∨ k → A	Z
1 1010 kkkk kkkk	1Akk	AND A,k	A & k → A	Z
1 1011 kkkk kkkk	1Bkk	XOR A,k	A ⊕ k → A	Z
1 1100 kkkk kkkk	1Ckk	RETL k	k → A,[Top of Stack] → PC	None
1 1101 kkkk kkkk	1Dkk	SUB A,k	k-A → A	Z,C,DC
1 1111 kkkk kkkk	1Fkk	ADD A,k	k+A → A	Z,C,DC

<sup>1</sup> This instruction is applicable to IOC50 ~ IOC51, IOC51 ~ IOC51 only.

<sup>2</sup> This instruction is not recommended for RF operation.

<sup>3</sup> This instruction cannot operate under RF.

## 7 Absolute Maximum Ratings

Items	Rating		
Temperature under bias	-40°C	to	85°C
Storage temperature	-65°C	to	150°C
Input voltage	Vss-0.3V	to	Vdd+0.5V
Output voltage	Vss-0.3V	to	Vdd+0.5V
Working Voltage	2.5V	to	5.5V
Working Frequency	DC	to	20MHz

## 8 DC Electrical Characteristics

(Ta=25 °C, VDD=5.0V±5%, VSS=0V)

Symbol	Parameter	Condition	Min	Typ	Max	Unit
Fxt	XTAL: VDD to 5V	Two cycle with two clocks	DC		20	MHz
	XTAL: VDD to 3V		DC		8	MHz
	ERC: VDD to 5V	R: 5.1KΩ, C: 100 pF	F±30%	830	F±30%	kHz
	IRC: VDD to 5 V	8MHz,4MHz, 1MHz, 455kHz	F±30%	F	F±30%	Hz
IRC1	IRC:VDD to 5V	RCM0:RCM1=1:1	3.84	4.0	4.16	MHz
IRC2	IRC:VDD to 5V	RCM0:RCM1=1:0	7.68	8.0	8.32	MHz
IRC3	IRC:VDD to 5V	RCM0:RCM1=0:1	0.96	1.0	1.06	MHz
IRC4	IRC:VDD to 5V	RCM0:RCM1=0:0	436.8	455	473.2	kHz
VIHRC	Input High Threshold Voltage (Schmitt trigger )	OSCI in RC mode		3.5		V
VILRC	Input Low Threshold Voltage (Schmitt trigger )	OSCI in RC mode		1.5		V
IIL	Input Leakage Current for input pins	VIN = VDD, VSS	-1	0	1	μA
VIH1	Input High Voltage (Schmitt trigger )	Ports 5, 6, 7		3.75		V
VIL1	Input Low Voltage (Schmitt trigger )	Ports 5, 6, 7		1.25		V
VIHT1	Input High Threshold Voltage (Schmitt trigger )	/RESET		2.0		V
VILT1	Input Low Threshold Voltage (Schmitt trigger )	/RESET		1.0		V
VIHT2	Input High Threshold Voltage (Schmitt trigger )	TCC,INT		3.75		V
VILT2	Input Low Threshold Voltage (Schmitt trigger )	TCC,INT		1.25		V
VIHX1	Clock Input High Voltage	OSCI in crystal mode		3.5		V
VILX1	Clock Input Low Voltage	OSCI in crystal mode		1.5		V
IOH1	Output High Voltage (Ports 5, P60~66,P70)	VOH = VDD-0.5V		-3.7		mA
IOH2	Output High Voltage (IR OUT (Port67))	VOH = VDD-0.5V		-10		mA
IOL1	Output Low Voltage (Ports 5, P60~66,P70)	VOL = GND+0.5V		10		mA
IOL2	Output Low Voltage (IR OUT (Port67))	VOL = GND+0.5V		15		mA
IPH	Pull-high current	Pull-high active, input pin at VSS	-70	-75	-80	μA
IPL	Pull-low current	Pull-low active, input pin at Vdd	35	40	45	μA
ISB1	Power down current	All input and I/O pins at VDD, output pin floating, WDT disabled		1.0	2.0	μA
ISB2	Power down current	All input and I/O pins at VDD, output pin floating, WDT enabled		6.0	10	μA
ICC1	Operating supply current at two clocks (VDD to 3V)	/RESET= 'High', Fosc=32kHz (Crystal type,CLKS="0"), output pin floating, WDT disabled		15	20	μA



ICC2	Operating supply current at two clocks (VDD to 3V)	/RESET= 'High', Fosc=32kHz (Crystal type,CLKS="0"), output pin floating, WDT enabled		15	25	μA
ICC3	Operating supply current at two clocks	/RESET= 'High', Fosc=4MHz (Crystal type, CLKS="0"), output pin floating, WDT enabled		1.9	2.2	mA
ICC4	Operating supply current at two clocks	/RESET= 'High', Fosc=10MHz (Crystal type, CLKS="0"), output pin floating, WDT enabled		3.0	3.5	mA

**NOTE:** 1. These parameters are hypothetical (not tested) and are provided for design reference use only.  
2. Data under minimum, typical, & maximum (Min, Typ, & Max) columns are based on hypothetical results at 25 . These data are for design reference only.

## 8.1 AD Converter Characteristics

(Vdd=2.5V to 5.5V, Vss=0V, Ta=25 )

Symbol	Parameter	Condition	Min.	Typ.	Max.	Unit
V <sub>AREF</sub>	Analog reference voltage	V <sub>AREF</sub> - V <sub>ASS</sub> 2.5V	2.5	–	V <sub>dd</sub>	V
V <sub>ASS</sub>			V <sub>ss</sub>	–	V <sub>ss</sub>	V
V <sub>AI</sub>	Analog input voltage	–	V <sub>ASS</sub>	–	V <sub>AREF</sub>	V
IAI1	Analog supply current	V <sub>dd</sub> =V <sub>AREF</sub> =5.0V, V <sub>ASS</sub> =0.0V (V referenced from V <sub>dd</sub> )	750	850	1000	μA
			–10	0	+10	μA
IAI2	Analog supply current	V <sub>dd</sub> =V <sub>AREF</sub> =5.0V, V <sub>ASS</sub> =0.0V (V referenced from V <sub>REF</sub> )	500	600	820	μA
			200	250	300	μA
IOP	OP current	V <sub>dd</sub> =5.0V, OP used Output voltage swing 0.2V to 4.8V	450	550	650	μA
RN	Resolution	V <sub>dd</sub> =V <sub>AREF</sub> =5.0V, V <sub>ASS</sub> =0.0V	10	11	–	Bits
LN	Linearity error	V <sub>dd</sub> = 2.5 to 5.5V Ta=25	0	±4	±8	LSB
DNL	Differential nonlinear error	V <sub>dd</sub> = 2.5 to 5.5V Ta=25	0	±0.5	±0.9	LSB
FSE	Full scale error	V <sub>dd</sub> =V <sub>AREF</sub> =5.0V, V <sub>ASS</sub> =0.0V	±0	±4	±8	LSB
OE	Offset error	V <sub>dd</sub> =V <sub>AREF</sub> =5.0V, V <sub>ASS</sub> =0.0V	±0	±2	±4	LSB
ZAI	Recommended impedance of analog voltage source	–	0	8	10	KΩ
TAD	ADC clock period	V <sub>dd</sub> =V <sub>AREF</sub> =5.0V, V <sub>ASS</sub> =0.0V	4	–	–	us
TCN	AD conversion time	V <sub>dd</sub> =V <sub>AREF</sub> =5.0V, V <sub>ASS</sub> =0.0V	15	–	15	TAD
ADIV	ADC OP input voltage range	V <sub>dd</sub> =V <sub>AREF</sub> =5.0V, V <sub>ASS</sub> =0.0V	0	–	V <sub>AREF</sub>	V
ADOV	ADC OP output voltage swing	V <sub>dd</sub> =V <sub>AREF</sub> =5.0V, V <sub>ASS</sub> =0.0V, RL=10KΩ	0	0.2	0.3	V
			4.7	4.8	5	
ADSR	ADC OP slew rate	V <sub>dd</sub> =V <sub>AREF</sub> =5.0V, V <sub>ASS</sub> =0.0V	0.1	0.3	–	V/us
PSR	Power Supply Rejection	V <sub>dd</sub> =5.0V±0.5V	±0	–	±2	LSB

**NOTE:** 1. These parameters are hypothetical (not tested) and are provided for design reference use only.  
2. There is no current consumption when ADC is off other than minor leakage current.  
3. AD conversion result will not decrease when an increase of input voltage and no missing code will result.



## 8.2 Comparator (OP) Characteristics

(V<sub>dd</sub> = 5.0V, V<sub>ss</sub>=0V, T<sub>a</sub>=25 )

Symbol	Parameter	Condition	Min.	Typ.	Max.	Unit
SR	Slew rate		0.1	0.2		V/us
IVR	Input voltage range	V <sub>dd</sub> =5.0V, V <sub>ss</sub> =0.0V	0		5	V
OVS	Output voltage swing	V <sub>d</sub> =5.0V, V <sub>ss</sub> =0.0V, R <sub>L</sub> =10KΩ	0	0.2	0.3	V
			4.7	4.8	5	
I <sub>op</sub>	Supply current of OP		250	350	500	uA
I <sub>co</sub>	Supply current of Comparator			300		uA
PSR R	Power-supply Rejection Ration for OP	V <sub>dd</sub> = 5.0V, V <sub>ss</sub> =0.0V	50	60	70	dB
V <sub>s</sub>	Operating range		2.5		5.5	V

**NOTE:** These parameters are hypothetical (not tested) and are provided for design reference only.

## 8.3 Device Characteristics

The graphs below were derived based on a limited number of samples and they are provided for reference only. Hence, the device characteristic shown herein cannot be guaranteed as fully accurate. In these graphs, the data maybe out of the specified operating warranted range.

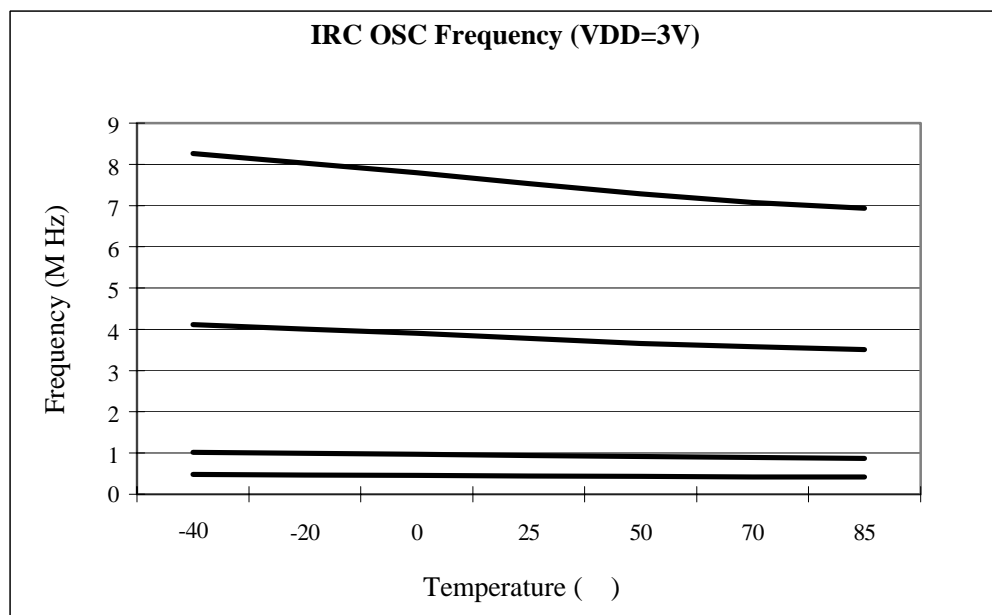


Fig. 8-1 Internal RC OSC Frequency vs. Temperature, VDD=3V



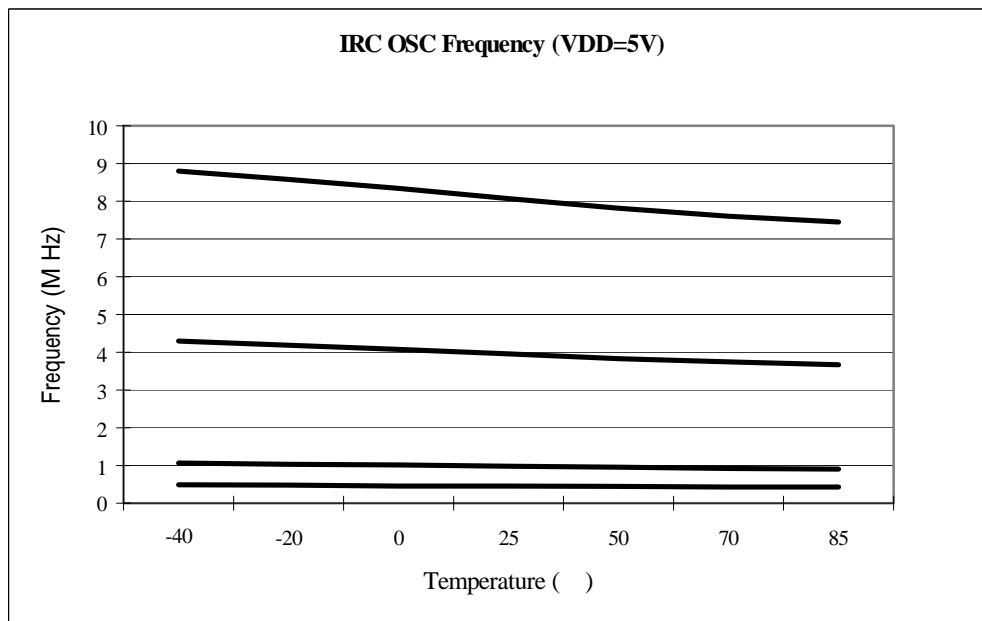


Fig. 8-2 Internal RC OSC Frequency vs. Temperature, VDD=5V

## 9 AC Electrical Characteristic

(Ta=25 °C, VDD=5V±5%, VSS=0V)

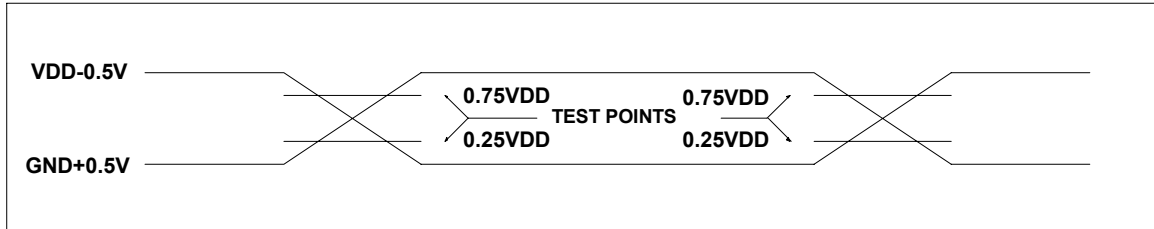
Symbol	Parameter	Conditions	Min	Typ	Max	Unit
Dclk	Input CLK duty cycle		45	50	55	%
Tins	Instruction cycle time (CLKS="0")	Crystal type	100		DC	ns
		RC type	500		DC	ns
Ttcc	TCC input period		(Tins+20)/N*			ns
Tdrh	Device reset hold time	Ta = 25°C	11.3	16.2	21.6	ms
Trst	/RESET pulse width	Ta = 25°C	2000			ns
Twdt	Watchdog timer period	Ta = 25°C	11.3	16.2	21.6	ms
Tset	Input pin setup time			0		ns
Thold	Input pin hold time		15	20	25	ns
Tdelay	Output pin delay time	Cload=20pF	45	50	55	ns
Tdrc	ERC delay time	Ta = 25°C	1	3	5	ns

- NOTE:**
1. N = selected prescaler ratio
  2. Twdt1: The Option word1 (WDTPS) is used to define the oscillator set-up time. WDT timeout length is the same as set-up time (18ms).
  3. Twdt2: The Option word1 (WDTPS) is used to define the oscillator set-up time. WDT timeout length is the same as set-up time (4.5ms).
  4. These parameters are hypothetical (not tested) and are provided for design reference only.
  5. Data under minimum, typical, & maximum (Min, Typ, & Max) columns are based on hypothetical results at 25 °C. These data are for design reference use only.
  6. The Watchdog timer duration is determined by code option Word1 (WDTPS).



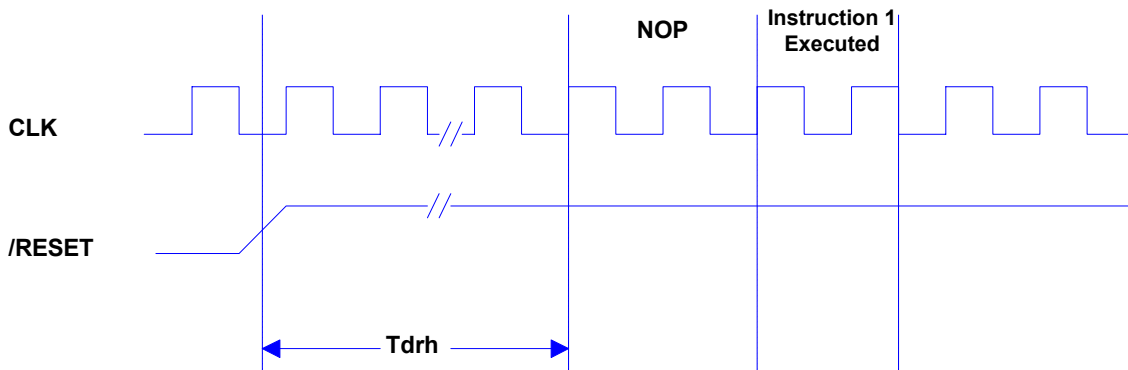
## 10 Timing Diagrams

### AC Test Input/Output Waveform

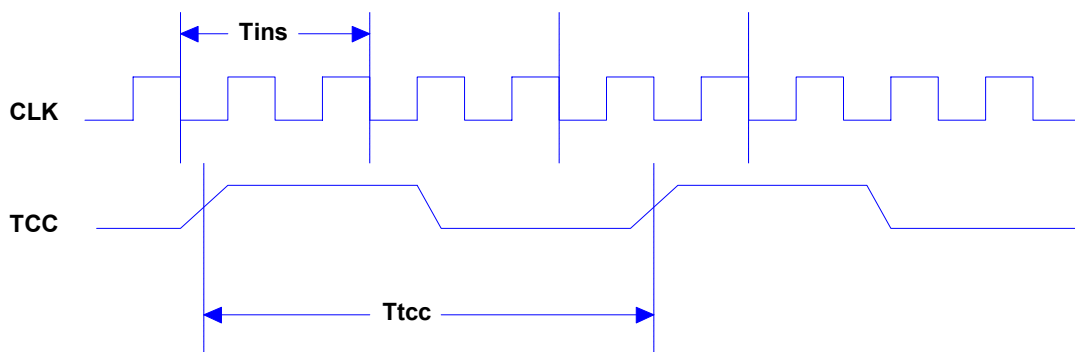


AC Testing : Input is driven at  $VDD-0.5V$  for logic "1", and  $GND+0.5V$  for logic "0". Timing measurements are made at  $0.75VDD$  for logic "1", and  $0.25VDD$  for logic "0".

### RESET Timing (CLK="0")



### TCC Input Timing (CLKS="0")



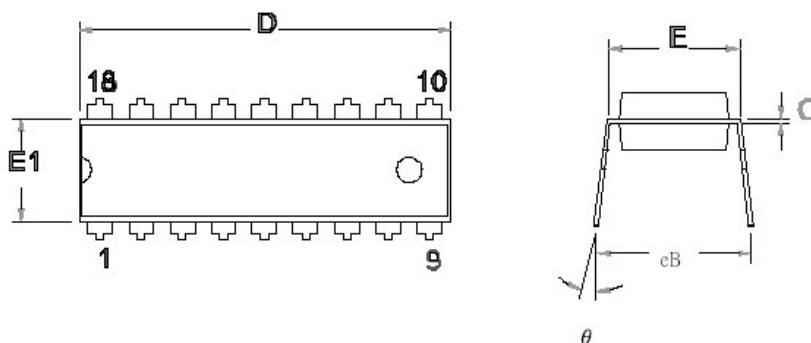
## APPENDIX

### A. Package Types Summary

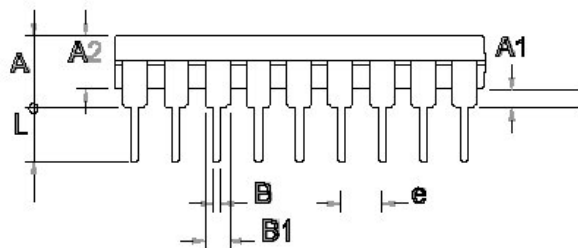
OTP MCU	Package Type	Pin Count	Package Size
EM78P259NP	DIP	18	300mil
EM78P259NM	SOP	18	300mil
EM78P260NP	DIP	20	300mil
EM78P260NM	SOP	20	300mil
EM78P260NKM	SSOP	20	209mil


### B Packaging Configurations

#### B.1 18-Lead Plastic Dual in line (PDIP) — 300 mil

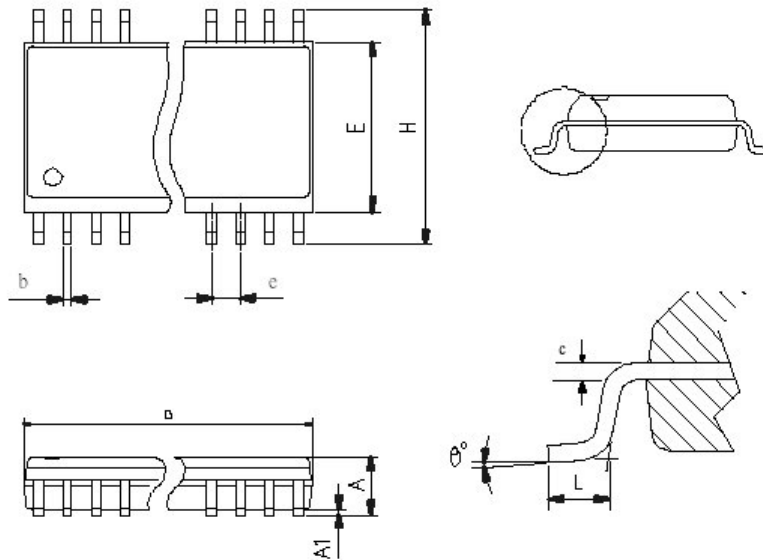


Symbal	Min	Normal	Max
A			4.450
A1	0.381		
A2	3.175	3.302	3.429
c	0.203	0.254	0.356
D	22.610	22.860	23.110
E1	6.220	6.438	6.655
E	7.370	7.620	7.870
eB	8.510	9.020	9.530
B	0.356	0.457	0.559
B1	1.143	1.524	1.778
L	3.048	3.302	3.556
e	2.540(TYP)		
$\theta$	0		15




TITLE: PDIP-18L, 300MIL PACKAGE OUTLINE DIMENSION	
File: D18	Edition: A
	Unit: mm
	Scale: Free
	Material:
Sheet: 1 of 1	

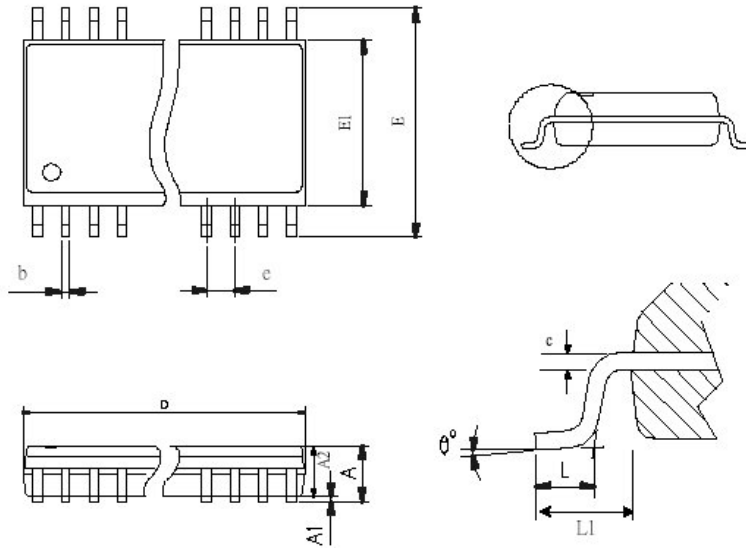
## B.2 18-Lead Plastic Small Outline (SOP) — 300 mil




Symbol	Min	Normal	Max
A	2.350		2.650
A1	0.102		0.300
b	0.406(TYP)		
c	0.230		0.320
E	7.400		7.600
H	10.000		10.650
D	11.350		11.750
L	0.406	0.838	1.270
e	1.27(TYP)		
$\theta^\circ$	0		8

TITLE: SOP-18(300MIL) PACKAGE OUTLINE DIMENSION	
File: SO18	Edition: A
	Unit: mm
	Scale: Free
	Material:
Sheet: 1 of 1	

**B.3 20-Lead Plastic Shrink Small Outline (SSOP) — 209 mil**

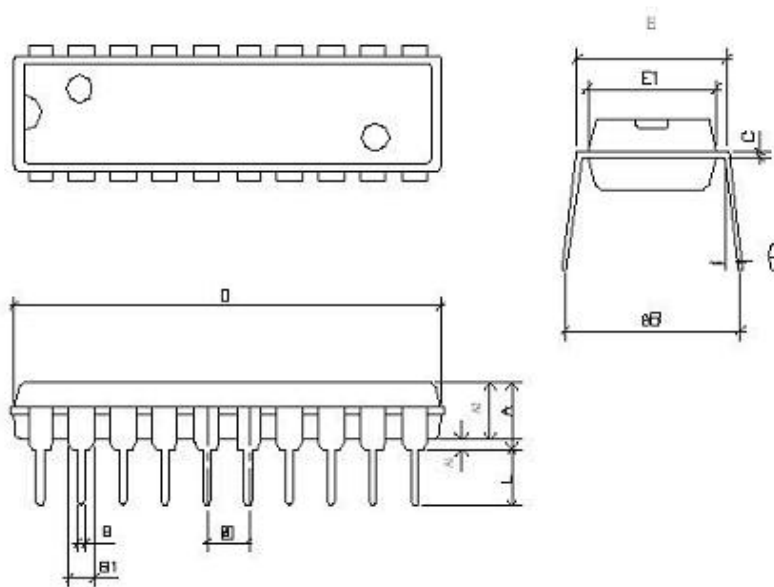


Symbol	Min	Normal	Max
A			2.130
A1	0.050		0.250
A2	1.620	1.750	1.880
b	0.220		0.380
c	0.090		0.200
E	7.400	7.800	8.200
E1	5.000	5.300	5.600
D	6.900	7.200	7.500
L	0.650	0.750	0.850
L1	1.250(REF )		
e	0.650(TYP)		
$\theta^\circ$	0	4	8

TITLE: SSOP-20L(209MIL) OUTLINE PACKAGE PACKA OUTLINE DIMENSION	
File : SSOP20	Edition: A
	Unit : mm
	Scale: Free
	Material:
	Sheet:1 of 1



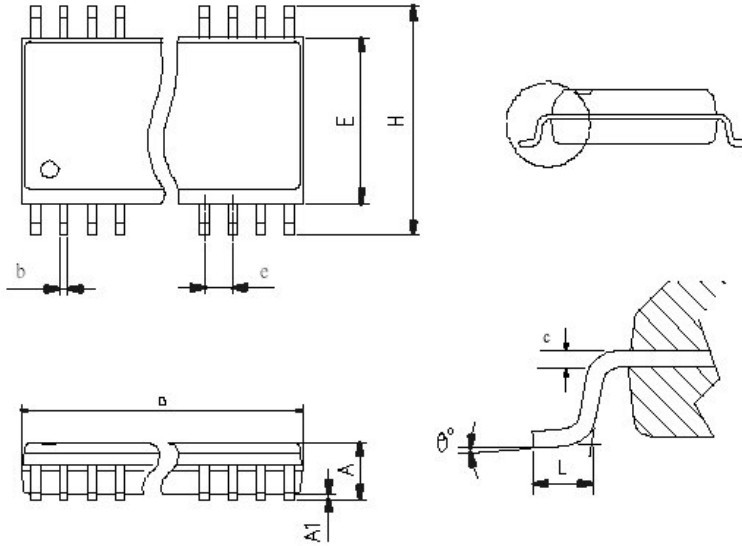
### B.4 20-Lead Plastic Dual-in-line (PDIP) — 300 mil




Symbal	Min	Normal	Max
A			4.450
A1	0.381		
A2	3.175	3.302	3.429
c	0.203	0.254	0.356
D	25.883	26.060	26.237
E1	6.220	6.438	6.655
E	7.370	7.620	7.870
eB	8.510	9.020	9.530
B	0.356	0.457	0.559
B1	1.143	1.524	1.778
L	3.048	3.302	3.556
e	2.540(TYP)		
b	0		15

TITLE: PDIP-20L 300MIL PACKAGE OUTLINE DIMENSION	
File: D20	Edition: A
	Unit : mm
	Scale: Free
	Material:
	Sheet: 1 of 1

### B.5 20-Lead Plastic Small Outline (SOPP) — 300 mil



Symbol	Min	Normal	Max
A	2.350		2.650
A1	0.102		0.300
b	0.406(TYP)		
c	0.230		0.320
E	7.400		7.600
H	10.000		10.650
D	12.600		12.900
L	0.630	0.838	1.100
e	1.27(TYP)		
$\theta^\circ$	0		8

TITLE: SOP-20L(300ML) PACKAGE OUTLINE DIMENSION	
File : SO20	Edition: A
	Unit : mm
	Scale: Free
	Material:
Sheet:1 of 1	

## C Quality Assurance and Reliability

Test Category	Test Conditions	Remarks
Solderability	Solder temperature= $245\pm 5$ , for 5 seconds up to the stopper using a rosin-type flux	
Pre-condition	Step 1: TCT, 65 (15mins)~150 (15mins), 10 cycles	For SMD IC (such as SOP, QFP, SOJ, etc)
	Step 2: Bake at 125 , TD (durance)=24 hrs	
	Step 3: Soak at 30°C/60% , TD (durance)=192 hrs	
	Step 4: IR flow 3 cycles (Pkg thickness 2.5mm or Pkg volume 350mm <sup>3</sup> ---- $225\pm 5$ ) (Pkg thickness 2.5mm or Pkg volume 350mm <sup>3</sup> ---- $240\pm 5$ )	
Temperature cycle test	-65 (15mins)~150 (15mins), 200 cycles	
Pressure cooker test	TA =121 , RH=100%, pressure=2 atm, TD (durance)= 96 hrs	
High temperature / High humidity test	TA=85 , RH=85% , TD (durance)=168 , 500 hrs	
High-temperature storage life	TA=150 , TD (durance)=500, 1000 hrs	
High-temperature operating life	TA=125 , VCC=Max. operating voltage, TD (durance) =168, 500, 1000 hrs	
Latch-up	TA=25 , VCC=Max. operating voltage, 150mA/20V	
ESD (HBM)	TA=25 , $\pm 3KV$	IP_ND,OP_ND,IO_ND IP_NS,OP_NS,IO_NS IP_PD,OP_PD,IO_PD, IP_PS,OP_PS,IO_PS, VDD-VSS(+),VDD_VSS (-)mode
ESD (MM)	TA=25 , $\pm 300V$	

### C.1 Address Trap Detect

An address trap detect is one of the MCU embedded fail-safe functions that detects MCU malfunction caused by noise or the like. Whenever the MCU attempts to fetch an instruction from a certain section of ROM, an internal recovery circuit is auto started. If a noise caused address error is detected, the MCU will repeat execution of the program until the noise is eliminated. The MCU will then continue to execute the next program.