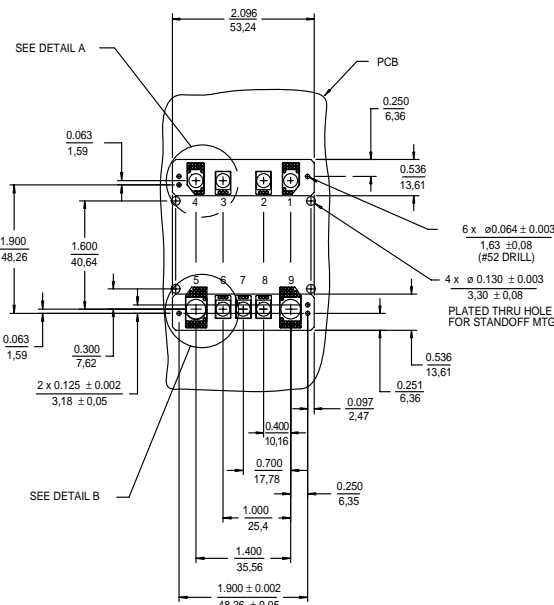
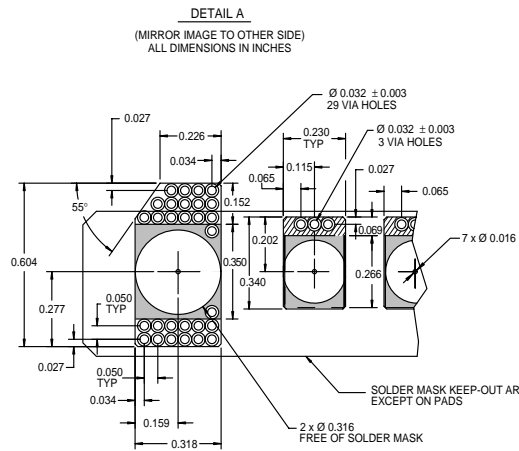
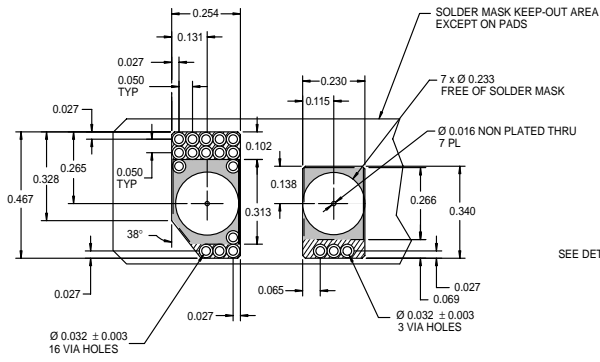
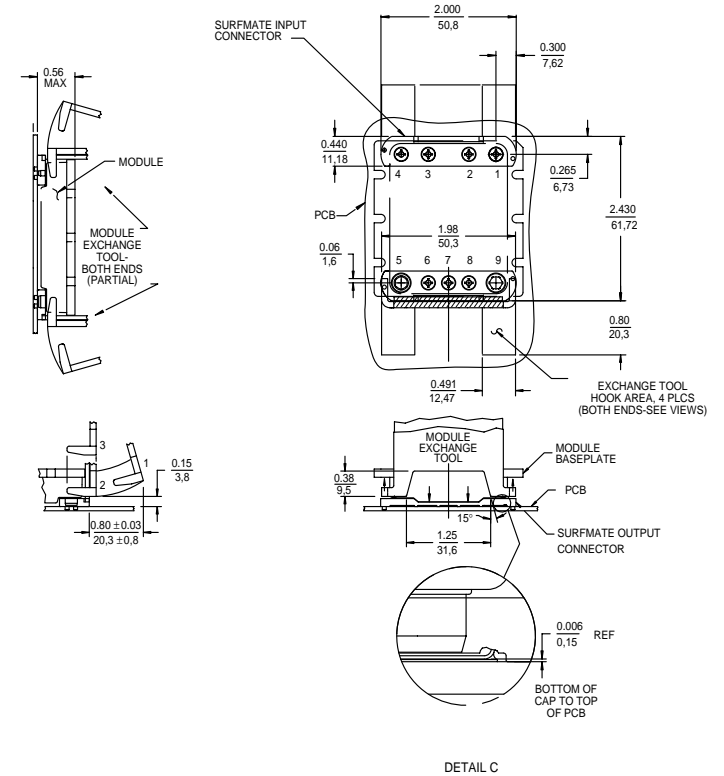


PCB Layout Drawing for Mini Size Module



PIN LEGEND					
Pin Number	Mini		FARM		Pin Dia. (Inches / mm)
	Symbol	Function	Symbol	Function	
1	+	+IN	N	Neutral	0.080 / 2,03
2	PC	Prim. Control	EMI GRD	EMI	0.080 / 2,03
3	PR	Parallel	NC		0.080 / 2,03
4	-	-IN	L	Line	0.080 / 2,03
5	-	-OUT	-	- Out	0.150 / 3,81
6	-S	- Sense	EN	Enable	0.080 / 2,03
7	SC	Sec. Control	ST	Strap	0.080 / 2,03
8	+S	+Sense	BOK	BUS OK	0.080 / 2,03
9	+	+Out	+	+ OUT	0.150 / 3,81



All dimensions are **Inch** or **Inch / Metric**

ANSI / IPC-D-300 specifications apply for Class "B" boards.

Recommended PCB construction:

Multilayer 3oz Cu with internal power and ground planes. Pad geometry and minimum number of via holes for connection to power and ground planes shown in Details "A" & "B" for high current applications. Pads to be covered with solder mask except in circular area shown in Detail "A" & "B". Final pad height above laminate to be 0.004" +/- 0.0004".

Light gray area denotes stencil aperture (should include circular solder mask keep-out area on each pad).

