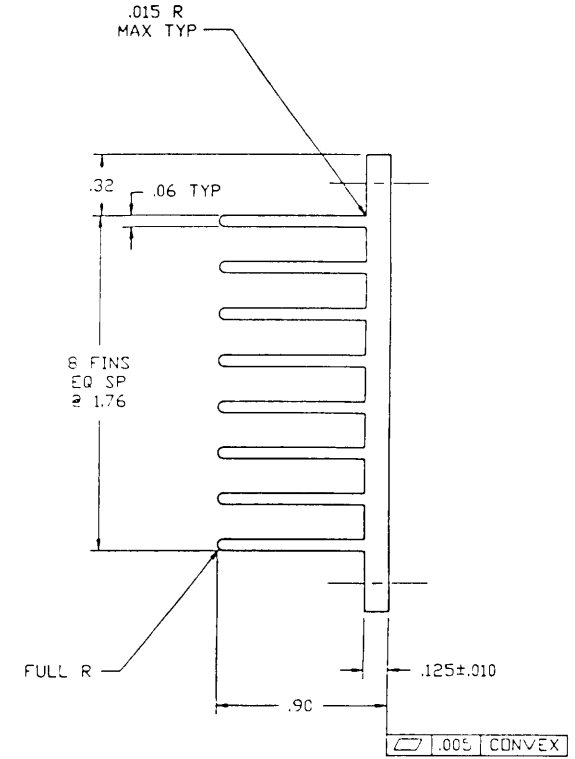
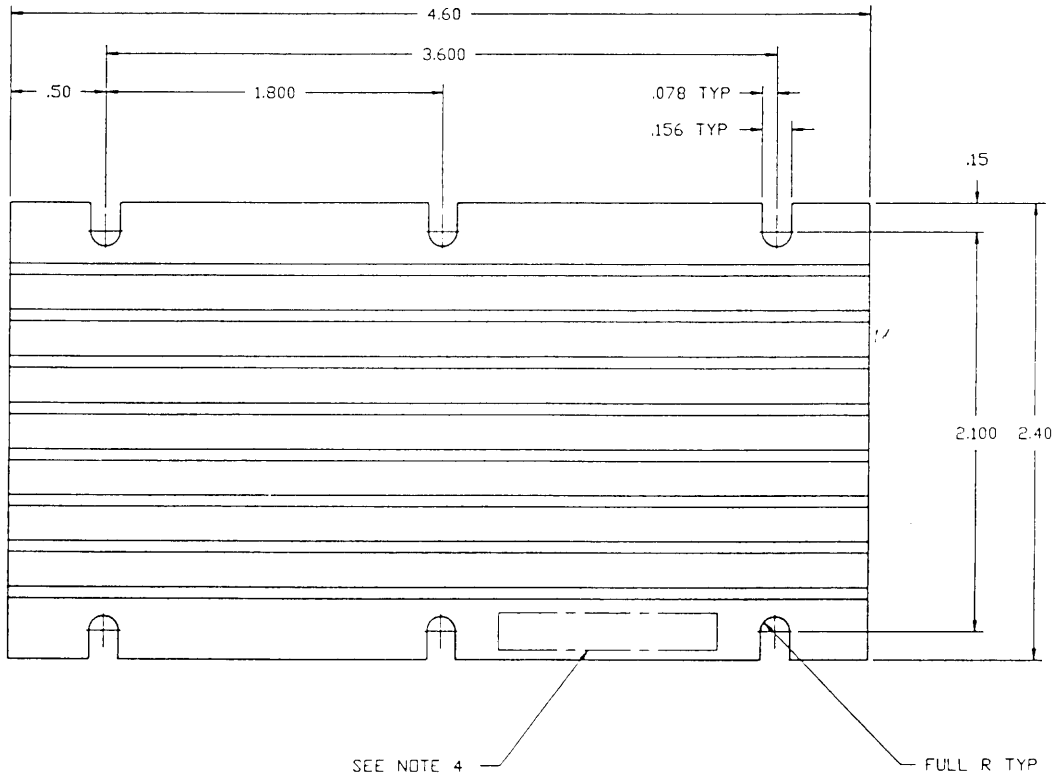


THIS DOCUMENT AND THE DATA DISCLOSED
HEREIN OR HEREWITH IS NOT TO BE REPRODUCED,
USED, OR DISCLOSED IN WHOLE OR IN PART
TO ANYONE WITHOUT PERMISSION OF VICOR CORP

LTR	DESCRIPTION	DATE	APP'D.
1	PRELIM RELEASE PER PCD# P005	5/19/87	WRH
2	REVISED PER PCD# 025	SPV 8/4/87	WRH
3	REVISED PER ECO #2211	BJR 11/14/87	- <



FREE CONVECTION	3.3
200 LFM	2.0
600 LFM	0.84

- NOTES:
1. MATERIAL: 6063-T5, ALUMINUM.
 2. REMOVE ALL LOOSE BURRS.
 3. FINISH: CLEAR CHROMATE WITH EXTENDED ('HEAVY') ETCH.
 4. MECHANICALLY STAMP PART NUMBER AND REVISION IN AREA SHOWN.

ORIGINAL
DIMENSIONS STAMPED
IN RED

VICOR ANDOVER, MA. U.S.A.

DRAWN S.P.VISCONTI	5/87	HEATSINK, .9" HGT., HOR.	
CHECKED		DRAWING NO.	REV.
APP'D.		02111	3
ALL DIMENSIONS ARE IN INCHES (MILLIMETERS)		TOLERANCES (EXCEPT AS NOTED) XX ± .01 XXX ± .005 FRACT ± 1/64 ANGLES ± 1°	
DO NOT SCALE DRAWING	SCALE: FX	NEXT ASSY: SHEET 1 OF 1	